


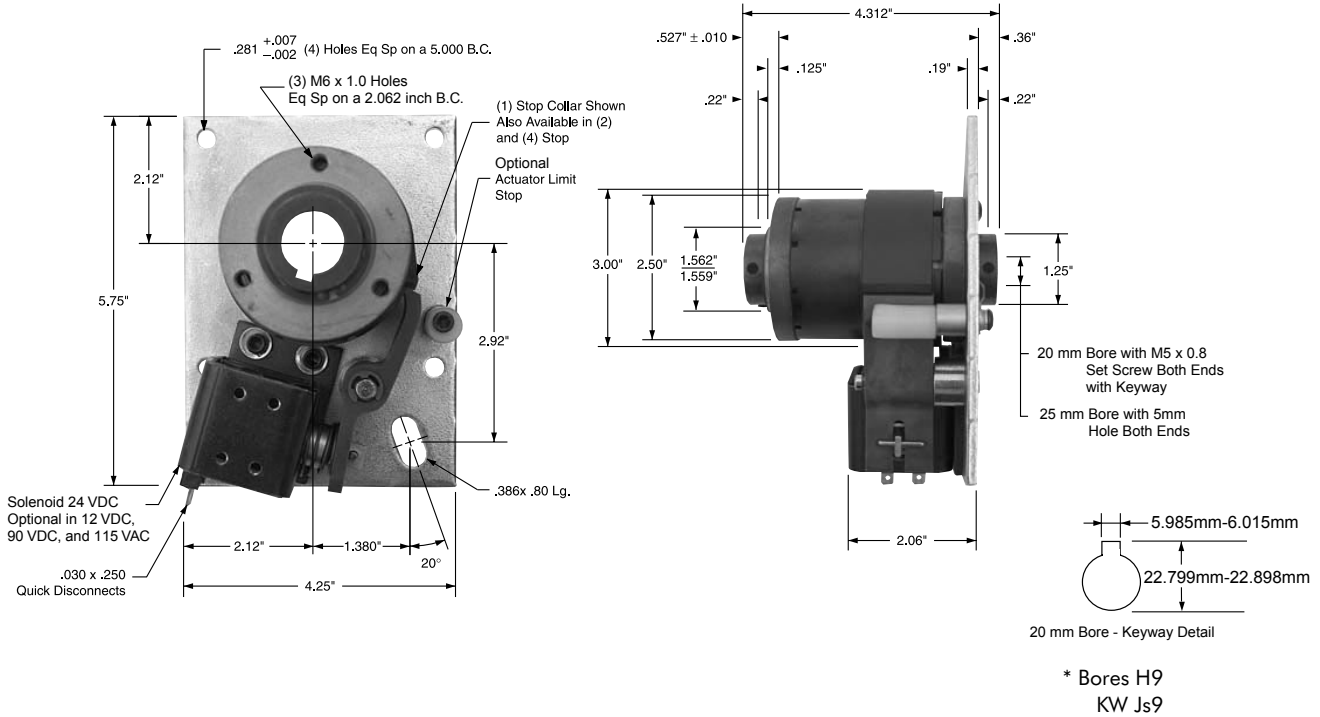
Wrap Spring Clutches

DCB-6 & DCB-6 SUPER Metric Dimensions

Product Function: Start-Stop 

Specifications

Maximum Speed: 500 RPM Max. Anti-overnun Torque: 300 in.-lb. Positioning Accuracy: $\pm 1/2^\circ$
 Static Torque: 500 in.-lb Max Anti-back Torque: 300 in.-lb. Weight: 6 lbs.



Unit Shown is CW Rotation, CCW is Available

DCB-6 Metric Part Numbers

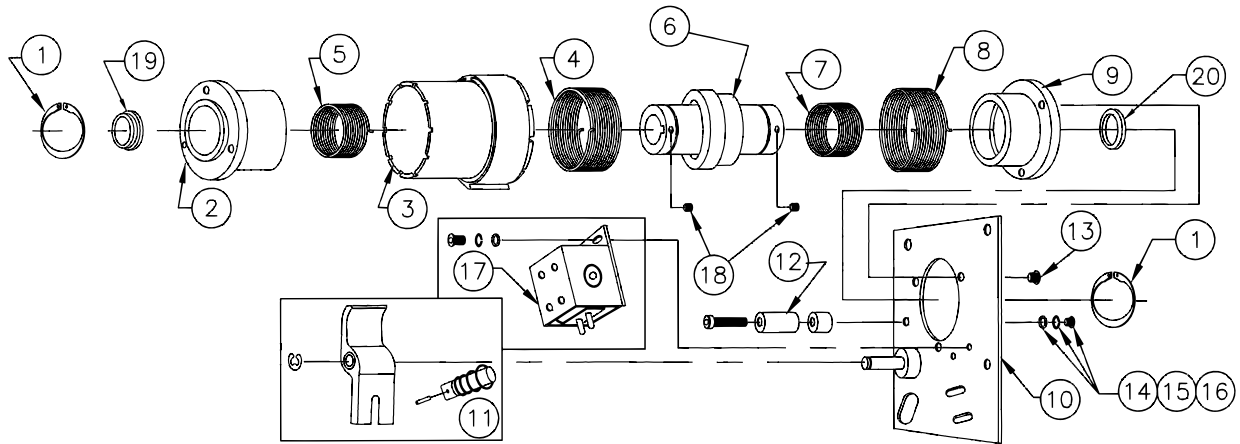
Part Number		Description				
CW Rotation	CCW Rotation	Model	Bore	Voltage	Stops	
D316-17-001	D316-27-001	DCB6	20mm	24VDC	1	
D316-17-003	D316-27-003	DCB6	20mm	24VDC	2	
D316-17-005	D316-27-005	DCB6	20mm	24VDC	4	
D316-17-002	D316-27-002	DCB6	25mm	24VDC	1	
D316-17-004	D316-27-004	DCB6	25mm	24VDC	2	
D316-17-106	D316-27-006	DCB6	25mm	24VDC	4	

DCB-6 SUPER Metric Part Numbers

Part Number		Description				
CW Rotation	CCW Rotation	Model	Bore	Voltage	Stops	
D336-17-013	D336-27-013	DCB6 SUPER	20mm	24VDC	1	
D336-17-014	D336-27-014	DCB6 SUPER	20mm	24VDC	2	
D336-17-015	D336-27-015	DCB6 SUPER	20mm	24VDC	4	
D336-17-016	D336-27-016	DCB6 SUPER	25mm	24VDC	1	
D336-17-017	D336-27-017	DCB6 SUPER	25mm	24VDC	2	
D336-17-018	D336-27-018	DCB6 SUPER	25mm	24VDC	4	

Wrap Spring Clutches – Replacement Parts

DCB-6 & DCB-6 SUPER Replacement Parts



Item	Part No.	Rotation or Voltage	Description
1	D748-1-0038		Retaining Ring
2	D540-6-0059 D541-6-0036		Metric Input Hub Super - Metric Input Hub
3	D266-6-0101 D266-6-0102 D266-6-0104 D266-6-0680 D266-6-0681 D266-6-0683 D266-6-0201 D266-6-0202 D266-6-0204 D266-6-0690 D266-6-0691 D266-6-0693	CW CW CW CW CW CW CCW CCW CCW CCW CCW CCW	1 Stop Collar 2 Stop Collar 4 Stop Collar Super - 1 Stop Collar Super - 2 Stop Collar Super - 4 Stop Collar 1 Stop Collar 2 Stop Collar 4 Stop Collar Super - 1 Stop Collar Super - 2 Stop Collar Super - 4 Stop Collar
4	D808-6-0001 D808-6-0002	CW CCW	Clutch Spring Clutch Spring
5	D808-6-0005 D808-6-0006	CW CCW	Anti-Overrun Spring Anti-Overrun Spring
6	D824-6-0348 D824-6-0349 D824-6-0482 D824-6-0483	20mm 25mm 20mm 25mm	Output Shaft Output Shaft Super - Output Shaft Super - Output Shaft
7	D808-6-0003 D808-6-0004	CW CCW	Anti-Back Spring Anti-Back Spring
8	D808-6-0001 D808-6-0002	CW CCW	Brake Spring Brake Spring
9	D540-6-0001 D541-6-0045		Brake Hub Super - Brake Hub
10	D686-6-0076 D686-6-0077	CW CCW	Plate Assembly Plate Assembly
11	D102-1-0004		Actuator Assembly
12	D816-1-0001		* Actuator Limit Stop
13	D797-1-0243		Button Head Screw
14	D950-1-0006		* Flat Washer
15	101263		* Lock Washer
16	D797-1-0233		* Socket Head Screw
17	D101-1-0028	24VDC	Coil Assembly
18	040-04276	20mm	M-5 Set Screw
19	D950-6-0003		Super - Thrust Washer, Clutch
20	D950-6-0004		Super - Thrust Washer, Brake

* Optional Actuator Limit Stop Feature