


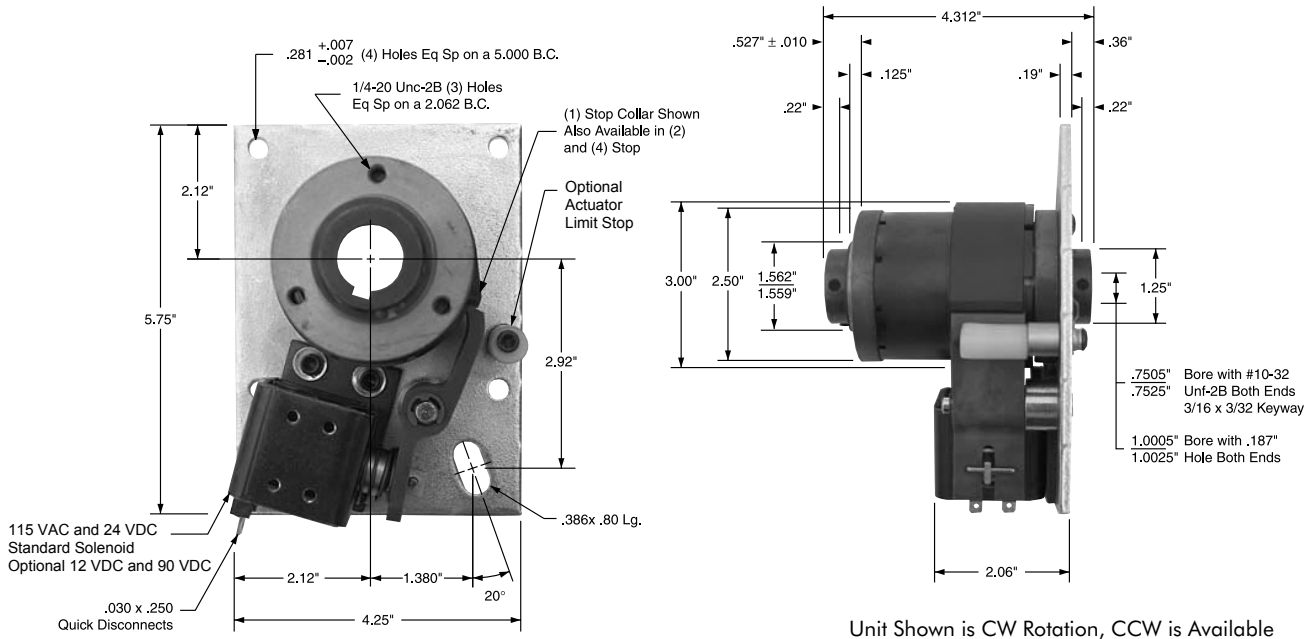
# Wrap Spring Clutches

## DCB-6 & DCB-6 SUPER Dimensions

Product Function: Start-Stop 

### Specifications

Maximum Speed: 500 RPM    Max. Anti-overnun Torque: 300 in.-lb.    Positioning Accuracy: ±1/2°  
 Static Torque: 500 in.-lb    Max Anti-back Torque: 300 in.-lb.    Weight: 6 lbs.



## DCB-6 Part Numbers

Part Number		Description			
CW Rotation	CCW Rotation	Model	Bore	Voltage	Stops
D306-17-053	D306-27-031	DCB6	3/4"	115VAC	1
D306-17-060	D306-27-039	DCB6	3/4"	115VAC	2
D306-17-073	D306-27-045	DCB6	3/4"	115VAC	4
D306-17-051	D306-27-029	DCB6	3/4"	24VDC	1
D306-17-074	D306-27-046	DCB6	3/4"	24VDC	2
D306-17-162	D306-27-134	DCB6	3/4"	24VDC	4
D306-17-059	D306-27-034	DCB6	1"	115VAC	1
D306-17-062	D306-27-044	DCB6	1"	115VAC	2
D306-17-075	D306-27-037	DCB6	1"	115VAC	4
D306-17-057	D306-27-032	DCB6	1"	24VDC	1
D306-17-061	D306-27-147	DCB6	1"	24VDC	2
D306-17-031	D306-27-150	DCB6	1"	24VDC	4

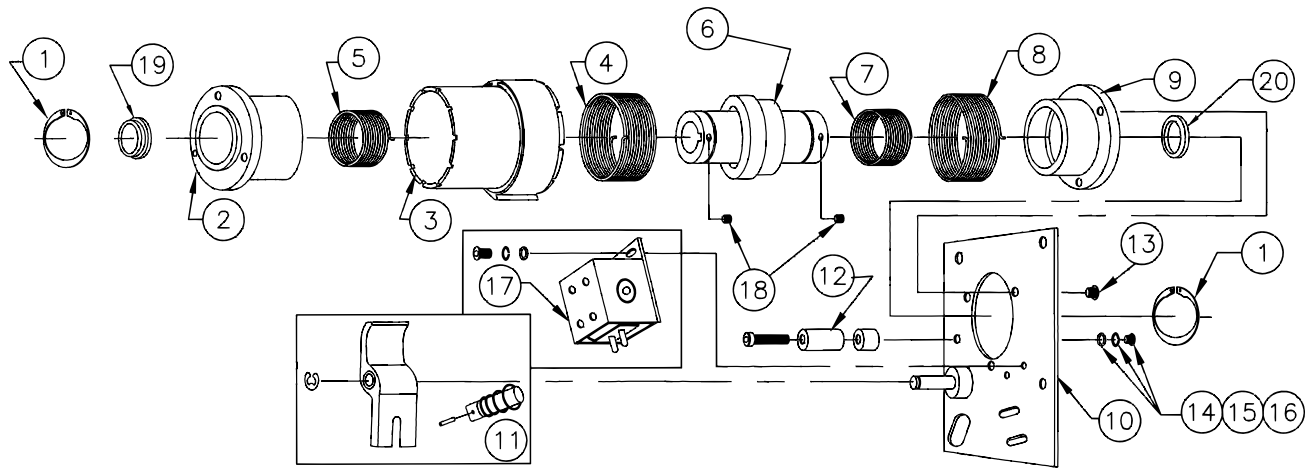
## DCB-6 SUPER Part Numbers

Part Number		Description			
CW Rotation	CCW Rotation	Model	Bore	Voltage	Stops
D326-17-019	D326-27-019	DCB6 SUPER	3/4"	115VAC	1
D326-17-020	D326-27-020	DCB6 SUPER	3/4"	115VAC	2
D326-17-021	D326-27-021	DCB6 SUPER	3/4"	115VAC	4
D326-17-007	D326-27-007	DCB6 SUPER	3/4"	24VDC	1
D326-17-008	D326-27-008	DCB6 SUPER	3/4"	24VDC	2
D326-17-009	D326-27-009	DCB6 SUPER	3/4"	24VDC	4
D326-17-022	D326-27-022	DCB6 SUPER	1"	115VAC	1
D326-17-023	D326-27-023	DCB6 SUPER	1"	115VAC	2
D326-17-024	D326-27-024	DCB6 SUPER	1"	115VAC	4
D326-17-010	D326-27-010	DCB6 SUPER	1"	24VDC	1
D326-17-011	D326-27-011	DCB6 SUPER	1"	24VDC	2
D326-17-012	D326-27-012	DCB6 SUPER	1"	24VDC	4

Sold & Serviced By:  
  
 Toll Free Phone (877) SERV098  
 Toll Free Fax (877) SERV099  
 www.electromate.com  
 sales@electromate.com

# Wrap Spring Clutches – Replacement Parts

## DCB-6 & DCB-6 SUPER Replacement Parts



Item	Part No.	Rotation or Voltage	Description
1	D748-1-0038		Retaining Ring
2	D540-6-0003 D541-6-0035		Input Hub Super Input Hub
3	D266-6-0101 D266-6-0102 D266-6-0104 D266-6-0680 D266-6-0681 D266-6-0683 D266-6-0201 D266-6-0202 D266-6-0204 D266-6-0690 D266-6-0691 D266-6-0693	CW CW CW CW CW CW CCW CCW CCW CCW CCW CCW	1 Stop Collar 2 Stop Collar 4 Stop Collar Super - 1 Stop Collar Super - 2 Stop Collar Super - 4 Stop Collar 1 Stop Collar 2 Stop Collar 4 Stop Collar Super - 1 Stop Collar Super - 2 Stop Collar Super - 4 Stop Collar
4	D808-6-0001 D808-6-0002	CW CCW	Clutch Spring Clutch Spring
5	D808-6-0005 D808-6-0006	CW CCW	Anti-Overrun Spring Anti-Overrun Spring
6	D824-6-0002 D824-6-0003 D824-6-0478 D824-6-0481	3/4" 1" 3/4" 1"	Output Shaft Output Shaft Super - Output Shaft Super - Output Shaft
7	D808-6-0003 D808-6-0004	CW CCW	Anti-Back Spring Anti-Back Spring
8	D808-6-0001 D808-6-0002	CW CCW	Brake Spring Brake Spring
9	D540-6-0001 D541-6-0045		Brake Hub Super - Brake Hub
10	D686-6-0076 D686-6-0077	CW CCW	Plate Assembly Plate Assembly
11	D102-1-0004		Actuator Assembly
12	D816-1-0001		* Actuator Limit Stop
13	D797-1-0243		Button Head Screw
14	D950-1-0006		* Flat Washer
15	101263		* Lock Washer
16	D797-1-0233		* Socket Head Screw
17	D101-1-0028 D101-1-0031	24VDC 115VAC	Coil Assembly
18	D797-1-0162	3/4"	Set Screw
19	D950-6-0003		Super - Thrust Washer, Clutch
20	D950-6-0004		Super - Thrust Washer, Brake

\* Optional Actuator Limit Stop Feature