


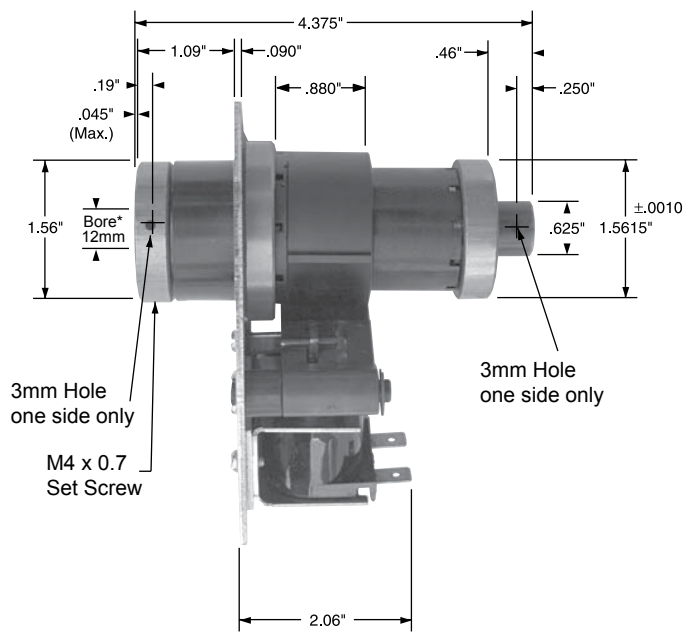
# Wrap Spring Clutches

## DCB-5 Metric Dimensions

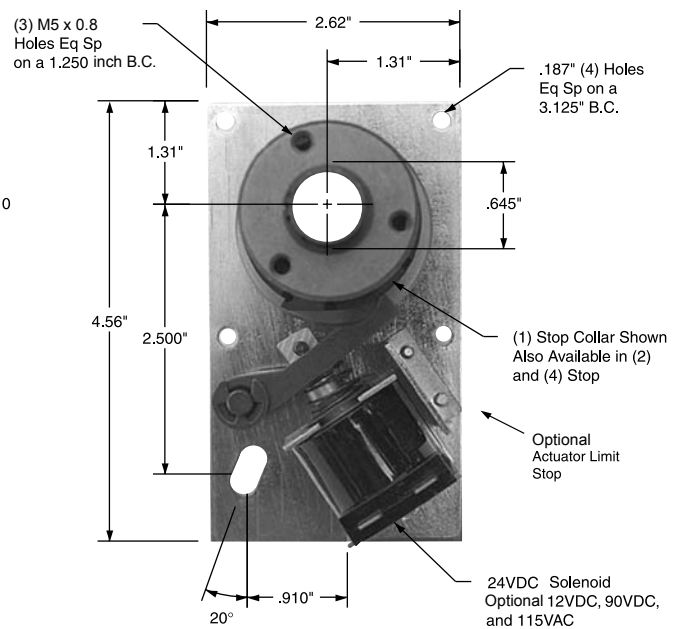
Product Function: Start-Stop 

### Specifications

Maximum Speed:	750 RPM
Static Torque:	250 in.-lb
Max. Anti-overnrun Torque:	45 in.-lb.
Max Anti-back Torque:	160 in.-lb.
Positioning Accuracy:	$\pm 1/2^\circ$
Weight:	1.75 lbs.



\* Bore 12mm H9



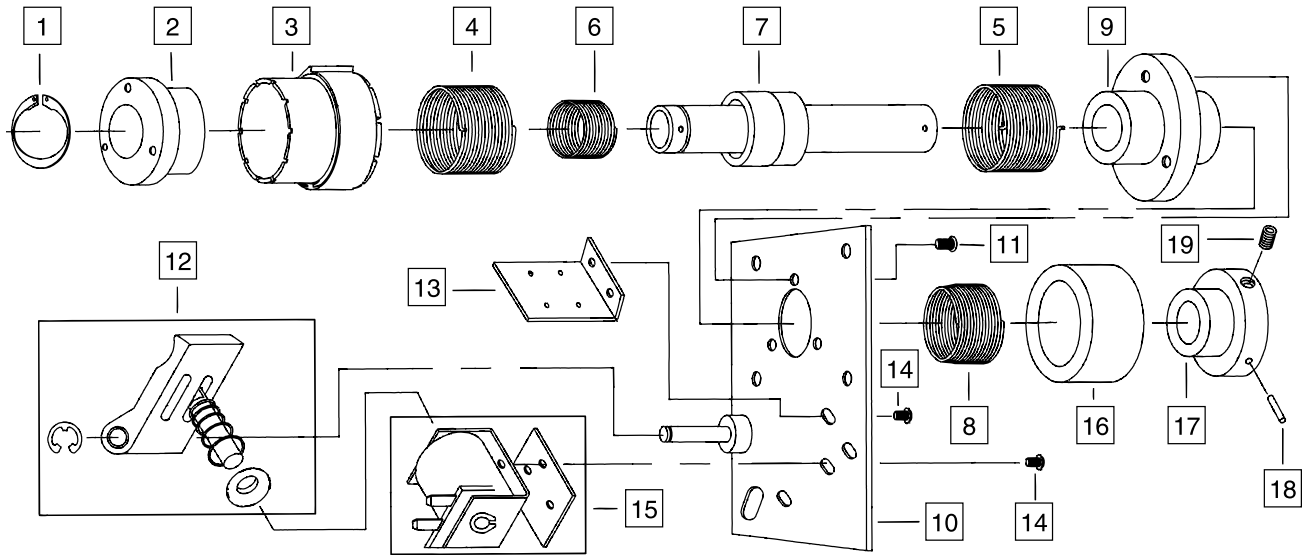
Unit Shown is CW Rotation, CCW is Available

## DCB-5 Metric Part Numbers

Part Number		Description			
CW Rotation	CCW Rotation	Model	Bore	Voltage	Stops
D315-17-001	D315-27-001	DCB5	12mm	24VDC	1
D315-17-002	D315-27-002	DCB5	12mm	24VDC	2
D315-17-003	D315-27-003	DCB5	12mm	24VDC	4

# Wrap Spring Clutches – Replacement Parts

## DCB-5 Metric Replacement Parts



Item	Part No.	Rotation or Voltage	Description
1	D748-1-0030		Retaining Ring
2	D540-5-0008		Metric Input Hub/Anti-Overrun
3	D266-5-0101 D266-5-0102 D266-5-0104 D266-5-0201 D266-5-0202 D266-5-0204	CW CW CW CCW CCW CCW	1 Stop Collar 2 Stop Collar 4 Stop Collar 1 Stop Collar 2 Stop Collar 4 Stop Collar
4	D808-5-0001 D808-5-0002	CW CCW	Drive Spring Drive Spring
5	D808-5-0001 D808-5-0002	CW CCW	Brake Spring Brake Spring
6	D808-5-0003 D808-5-0004	CW CCW	Anti-Overrun Spring Anti-Overrun Spring
7	D824-5-0003		Output Assembly/Anti-Overrun 12mm
8	D808-5-0005 D808-5-0006	CW CCW	Anti-Back Spring Anti-Back Spring
9	D540-5-0004		Brake Hub
10	D686-5-0001 D686-5-0002	CW CCW	Plate Assembly Plate Assembly
11	D797-1-0322		FLT HD Socket Cap Screw
12	D101-5-0017 D101-5-0018	CW CCW	Actuator Assembly Actuator Assembly
13	D816-5-0013		* Actuator Limit Stop Assembly
14	D797-1-0413		Pan HD Machine SCR Sems
15	D101-5-0003	24VDC	Coil Assembly
16	D287-5-9002		Dust Cover (AB Spring)
17	D540-5-0009		Metric Anti-Back Hub
18	D679-1-0024		Spring Pin
19	040-04991		M-4 Headless SOC