

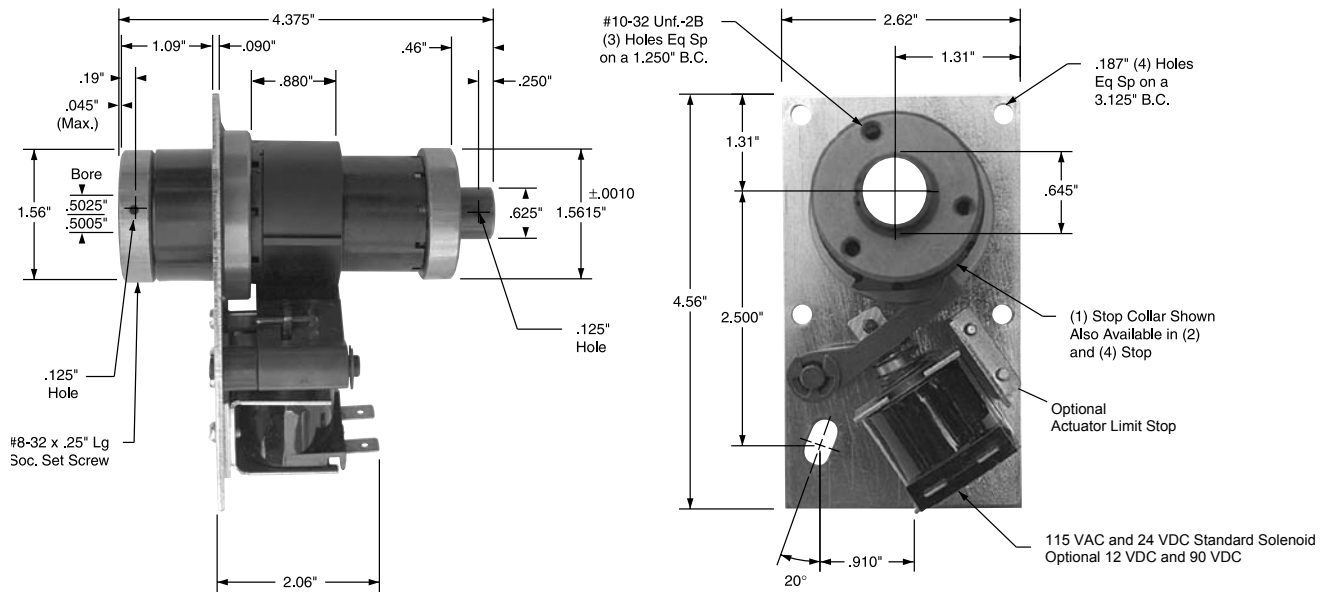
Wrap Spring Clutches

DCB-5 Dimensions

Product Function: Start-Stop 

Specifications

Maximum Speed:	750 RPM
Static Torque:	250 in.-lb
Max. Anti-overnrun Torque:	45 in.-lb.
Max Anti-back Torque:	160 in.-lb.
Positioning Accuracy:	$\pm 1/2^\circ$
Weight:	1.75 lbs.



Unit Shown is CW Rotation, CCW is Available

DCB-5 Part Numbers

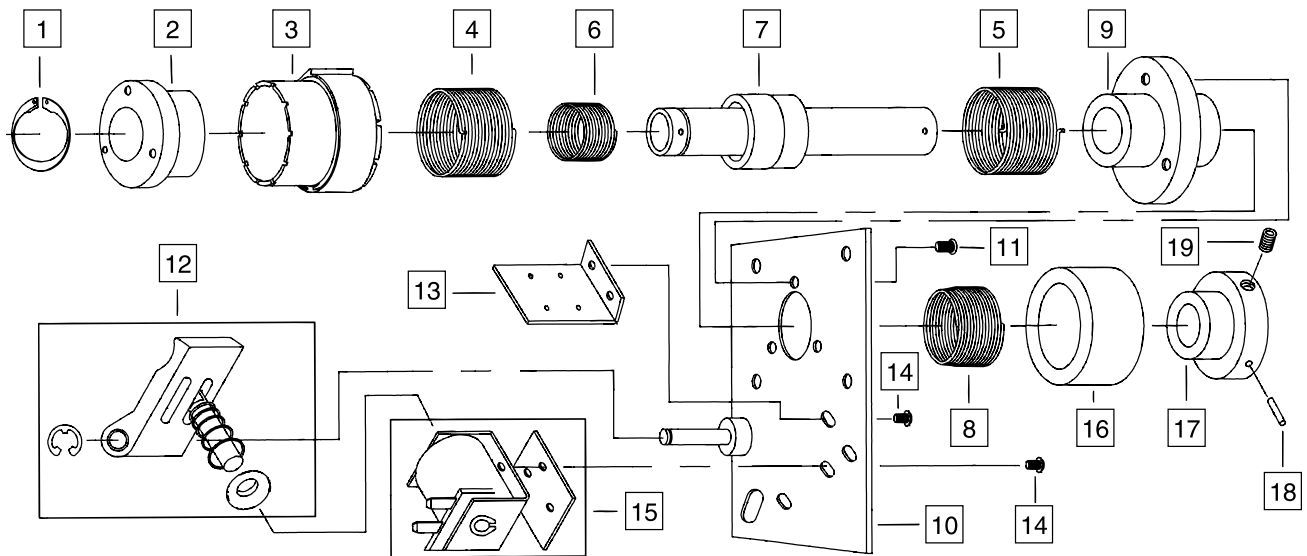
Part Number		Description			
CW Rotation	CCW Rotation	Model	Bore	Voltage	Stops
D305-17-007	D305-27-007	DCB5	1/2"	115VAC	1
D305-17-008	D305-27-008	DCB5	1/2"	115VAC	2
D305-17-009	D305-27-009	DCB5	1/2"	115VAC	4
D305-17-001	D305-27-001	DCB5	1/2"	24VDC	1
D305-17-002	D305-27-002	DCB5	1/2"	24VDC	2
D305-17-003	D305-27-003	DCB5	1/2"	24VDC	4

Sold & Serviced By:

 Toll Free Phone (877) SERV098
 Toll Free Fax (877) SERV099
www.electromate.com
sales@electromate.com

Wrap Spring Clutches – Replacement Parts

DCB-5 Replacement Parts



Item	Part No.	Rotation or Voltage	Description
1	D748-1-0030		Retaining Ring
2	D540-5-0007		Input Hub/Anti-Overrun
3	D266-5-0101	CW	1 Stop Collar
	D266-5-0102	CW	2 Stop Collar
	D266-5-0104	CW	4 Stop Collar
	D266-5-0201	CCW	1 Stop Collar
	D266-5-0202	CCW	2 Stop Collar
	D266-5-0204	CCW	4 Stop Collar
4	D808-5-0001	CW	Drive Spring
	D808-5-0002	CCW	Drive Spring
5	D808-5-0001	CW	Brake Spring
	D808-5-0002	CCW	Brake Spring
6	D808-5-0003	CW	Anti-Overrun Spring
	D808-5-0004	CCW	Anti-Overrun Spring
7	D824-5-0002		Output Assembly/Anti-Overrun
8	D808-5-0005	CW	Anti-Back Spring
	D808-5-0006	CCW	Anti-Back Spring
9	D540-5-0004		Brake Hub
10	D686-5-0001	CW	Plate Assembly
	D686-5-0002	CCW	Plate Assembly
11	D797-1-0322		FLT HD Socket Cap Screw
12	D101-5-0017	CW	Actuator Assembly
	D101-5-0018	CCW	Actuator Assembly
13	D816-5-0013		* Actuator Limit Stop Assembly
14	D797-1-0413		Pan HD Machine SCR Sems
15	D101-5-0002	12VDC	Coil Assembly
	D101-5-0003	24VDC	
	D101-5-0005	90VDC	
	D101-5-0006	120VAC	
16	D287-5-9002		Dust Cover (AB Spring)
17	D540-5-0006		Anti-Back Hub
18	D679-1-0024		Spring Pin
19	D797-1-0153		Headless SOC Pin