

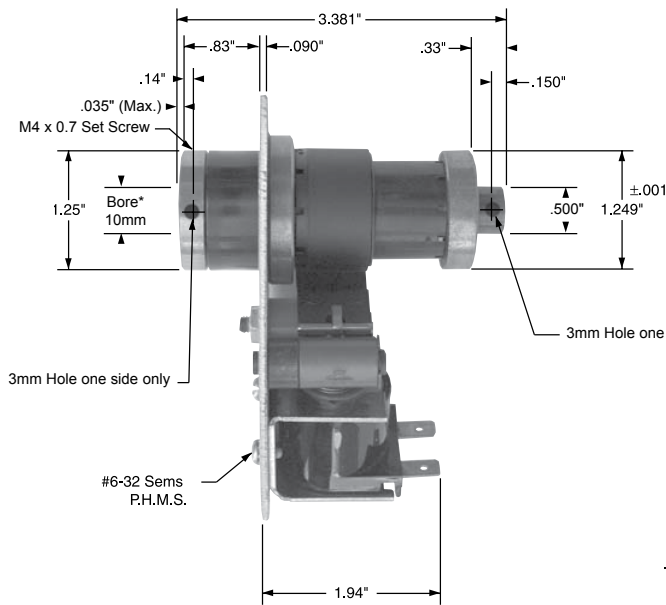
Wrap Spring Clutches

DCB-4 Metric Dimensions

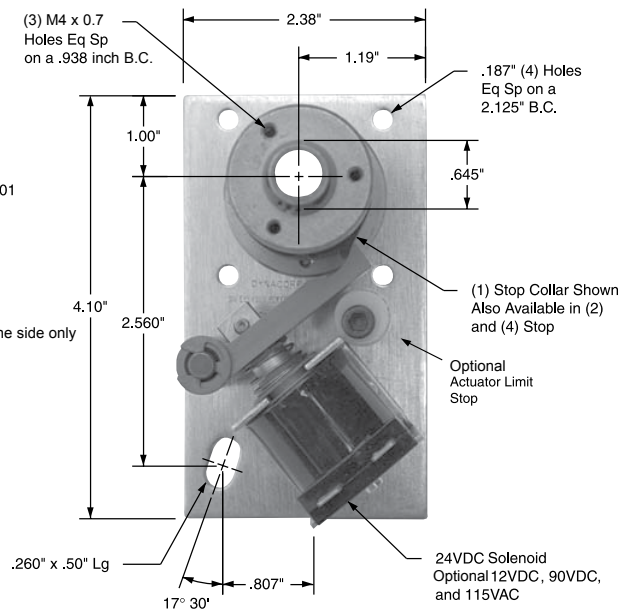
Product Function: Start-Stop 

Specifications

Maximum Speed:	1200 RPM
Static Torque:	120 in.-lb
Max. Anti-override Torque:	25 in.-lb.
Max Anti-back Torque:	80 in.-lb.
Positioning Accuracy:	$\pm 1/2^\circ$
Weight:	1.25 lbs.



* Bore 10mm H9



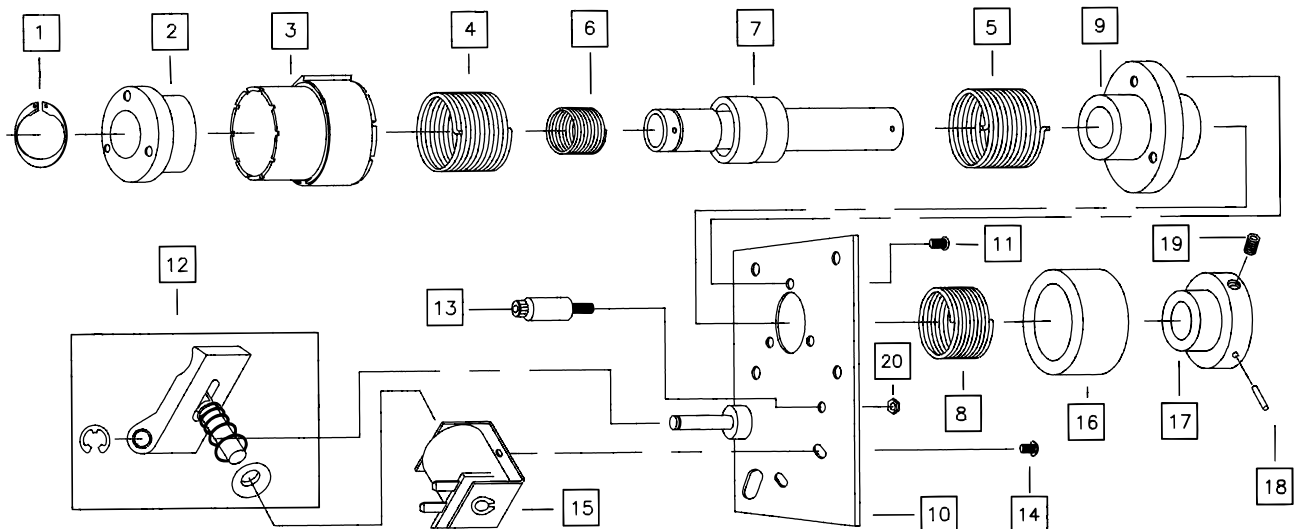
Unit Shown is CW Rotation, CCW is Available

DCB-4 Metric Part Numbers

Part Number		Description			
CW Rotation	CCW Rotation	Model	Bore	Voltage	Stops
D314-17-001	D314-27-001	DCB4	10mm	24VDC	1
D314-17-002	D314-27-002	DCB4	10mm	24VDC	2
D314-17-013	D314-27-003	DCB4	10mm	24VDC	4

Wrap Spring Clutches – Replacement Parts

DCB-4 Metric Replacement Parts



Item	Part No.	Rotation or Voltage	Description
1	D748-1-0027		Retaining Ring
2	D540-4-0077		Metric Input Hub/Anti-Overrun
3	D266-4-0051	CW	1 Stop Collar
	D266-4-0052	CW	2 Stop Collar
	D266-4-0054	CW	4 Stop Collar
	D266-4-0081	CCW	1 Stop Collar
	D266-4-0082	CCW	2 Stop Collar
	D266-4-0084	CCW	4 Stop Collar
4	D808-4-0066	CW	Drive Spring
	D808-4-0059	CCW	Drive Spring
5	D808-4-0016	CW	Brake Spring
	D808-4-0017	CCW	Brake Spring
6	D808-4-0022	CW	Anti-Overrun Spring
	D808-4-0023	CCW	Anti-Overrun Spring
7	D824-4-0300		Output Assembly/Anti-Overrun 10mm
8	D808-4-0018	CW	Anti-Back Spring
	D808-4-0019	CCW	Anti-Back Spring
9	D540-4-0015		Brake Hub
10	D686-4-0001	CW	Plate Assembly
	D686-4-0002	CCW	Plate Assembly
11	D797-1-0311		FLT HD Socket Cap Screw
12	D102-4-0005		Actuator Assembly
13	D816-1-0003		* Actuator Limit Stop Assembly
14	D797-1-0414		Pan HD Machine SCR Sems
15	D275-1-0163	24VDC	Coil Assembly
16	D287-4-9002		Dust Cover (AB Spring)
17	D540-4-0078		Metric Anti-Back Hub
18	D679-1-0022		Spring Pin
19	040-04991		M-4 Headless SOC HD Screw
20	D661-1-0022		* Hex Nut

* Optional Actuator Limit Stop Feature