


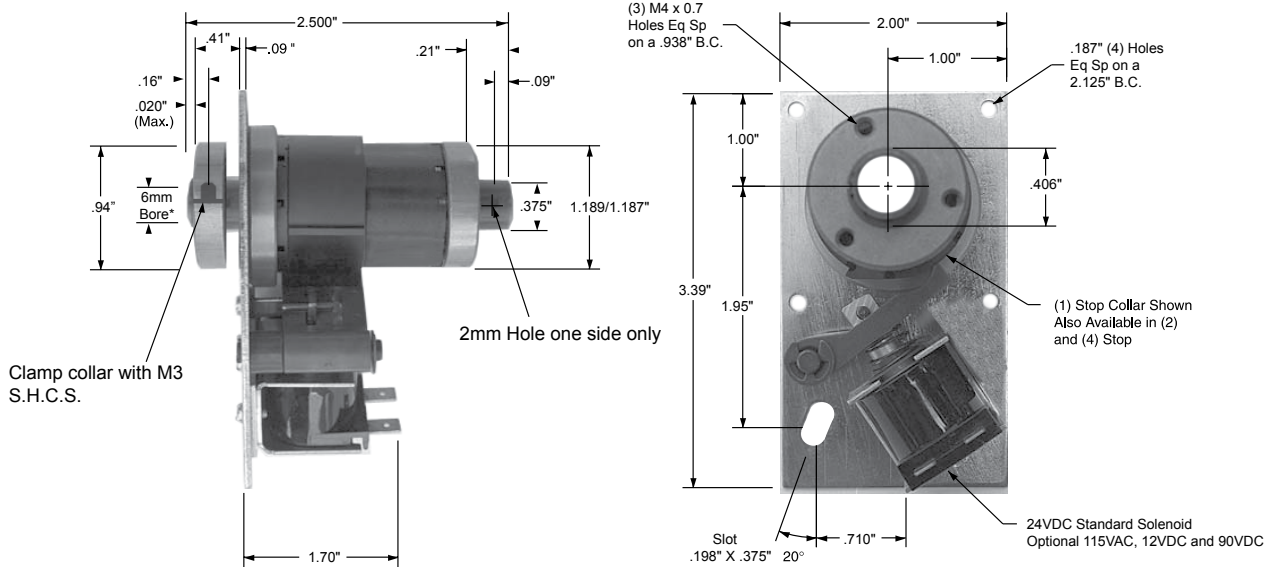
Wrap Spring Clutches

DCB-2 Metric Dimensions

Product Function: Start-Stop 

Specifications

Maximum Speed:	1800 RPM
Static Torque:	25 in.-lb
Max. Anti-override Torque:	10 in.-lb.
Max Anti-back Torque:	10 in.-lb.
Positioning Accuracy:	$\pm 1/2^\circ$
Weight:	1.25 lbs.



* Bore 6mm H9

Unit Shown is CW Rotation, CCW is Available

DCB-2 Metric Part Numbers

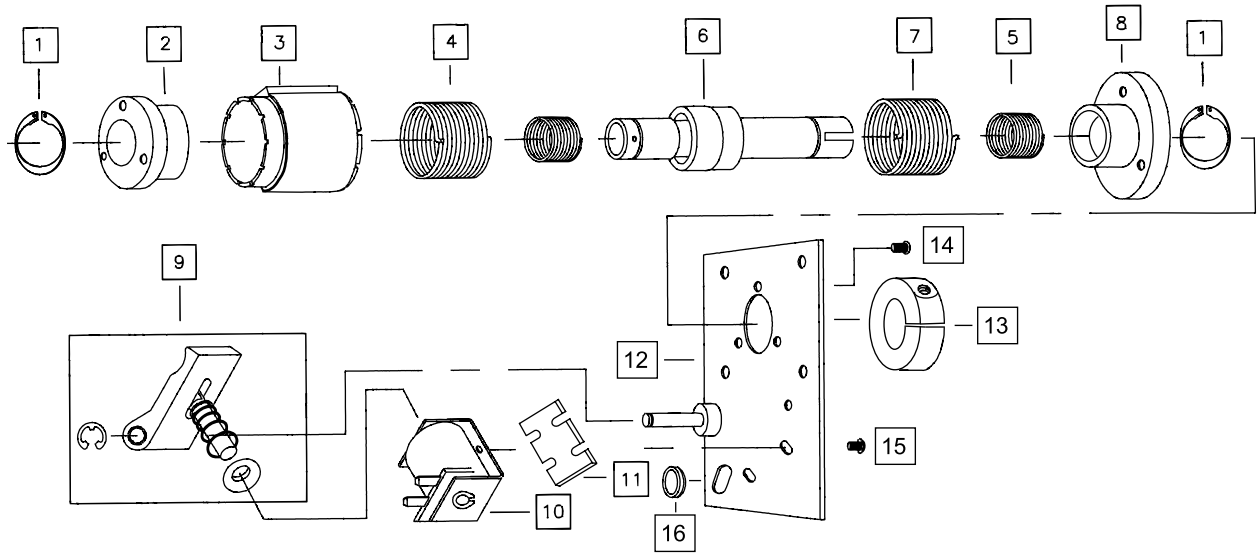
Part Number		Description			
CW Rotation	CCW Rotation	Model	Bore	Voltage	Stops
D312-17-001	D312-27-001	DCB2	6mm	24VDC	1
D312-17-002	D312-27-002	DCB2	6mm	24VDC	2
D312-17-003	D312-27-003	DCB2	6mm	24VDC	2

Sold & Served By:

 Toll Free Phone (877) SERV098
 Toll Free Fax (877) SERV099
www.electromate.com
sales@electromate.com

Wrap Spring Clutches – Replacement Parts

DCB-2 Metric Replacement Parts



Item	Part No.	Rotation or Voltage	Description
1	040-0371		(2) Retaining Ring
2	002-4222		Metric Input Hub
3	002-4312 002-4313 002-4315 002-4301 002-4302 002-4304	CW CW CW CCW CCW CCW	1 Stop Collar 2 Stop Collar 4 Stop Collar 1 Stop Collar 2 Stop Collar 4 Stop Collar
4	002-2032 002-2033	CW CCW	Drive Spring
5	002-2034 002-2035	CW CCW	(2) Anti-Overrun or Anti-Back Spring
6	002-5413		Output Assembly 6mm Bore
7	002-2030 002-2031	CW CCW	Brake Spring
8	002-4202		Brake Hub
9	002-2014-1 002-2015-1	CW CCW	Actuator Assembly
10	002-1201 002-1204 002-1202 002-1203	24 VDC 115 VAC 12 VDC 90 VDC	Coil Assembly
11	002-7012		Solenoid Spacer
12	002-7006 002-7007	CW CCW	Plate Assembly
13	002-4328		Metric Clamp Collar
14	040-04271		(3) 6-32 Flat Hd Socket Cap Screw
15	040-04318		(2) 6-32 Sems Machine Screw
16	002-2036		Grommet