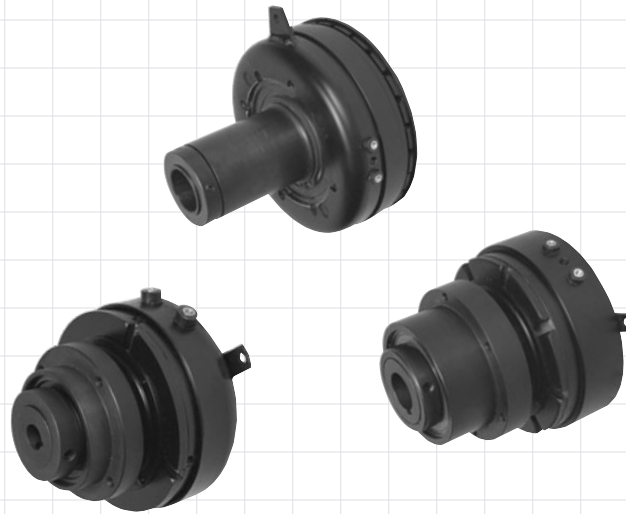


Sheave Clutches



Description

Sheave clutches combine a clutch with a sheave, sprocket, or gear to control a load. Dynacorp® sheave clutches are factory assembled for customer convenience and are ideal for textile, conveyor and packaging applications.

Section Index

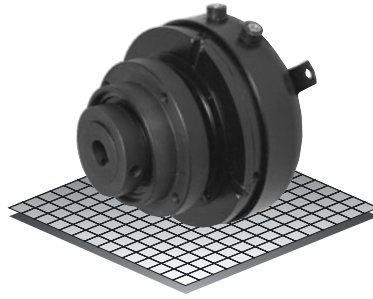
Products Complete information is shown for each product including specifications, drawings, dimensions, parts list, recommended controls and information for ordering

Model	Nominal Size	Drive-Media Mounting	Static Torque (In.-Lbs.)	Maximum HP @ 1800 RPM	Page
304	4 inch	Pilot Mount	264	1-1/2	D-2
305	5 inch	Pilot Mount	684	3	D-4
307	7 inch	Extended Adapter	1500	7-1/2	D-6

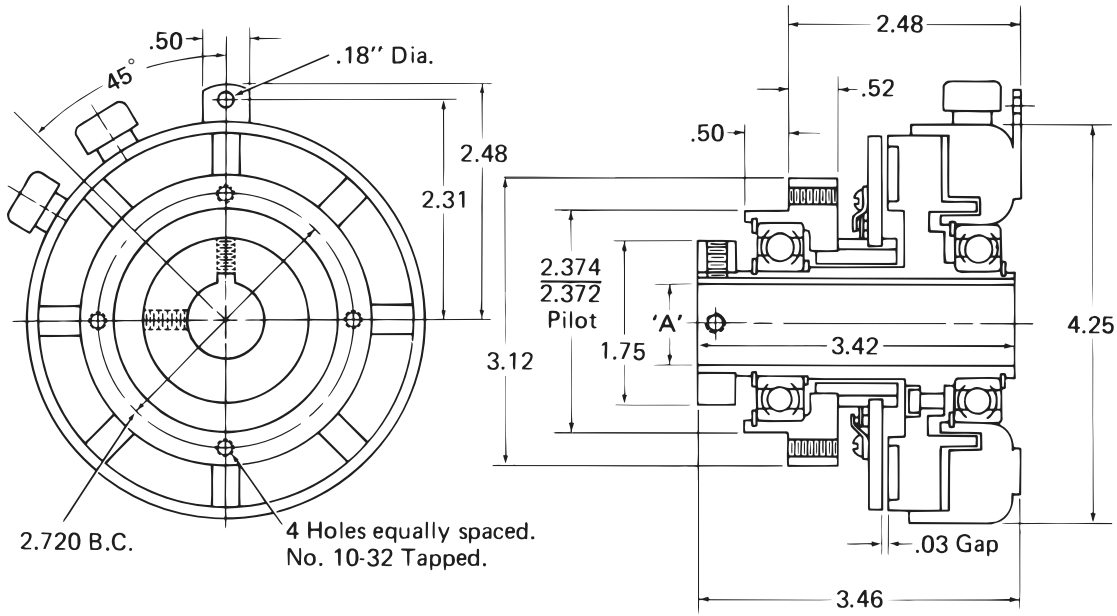
Sheave Clutch

Model

● 304



- ▶ Factory Assembled and Tested
- ▶ Bearing Mounted
- ▶ Spline Drive



Bore "A"	Keyway
1/2"	.125 x .062
5/8"	.187 x .094
3/4"	.187 x .094
7/8"	.187 x .094

Technical Data and Torque (In. Lb.)

Model No.	Wt. Lbs.	Static Torque in. lb.	Max. Speed RPM	Coil Voltage vdc	* Rated Current amps	RPM									
						0	300	600	900	1200	1500	1800	2400	3000	3600
304	5.3	264	3600	90	.13	264	216	192	180	168	156	156	144	132	120

* Rated Current for 90v.

Refer to Section M for torque and heat dissipation curves.

	Model No. 304
24 Volts, 1/2" Bore	304140-9
24 Volts, 5/8" Bore	304140-10
24 Volts, 3/4" Bore	304140-11
24 Volts, 7/8" Bore	304140-12
90 Volts, 1/2" Bore	304140-13
90 Volts, 5/8" Bore	304140-14
90 Volts, 3/4" Bore	304140-15
90 Volts, 7/8" Bore	304140-16

To order, use number shown in Table above.
For controls, see Section K.

Sold & Serviced By:

ELECTROMATE

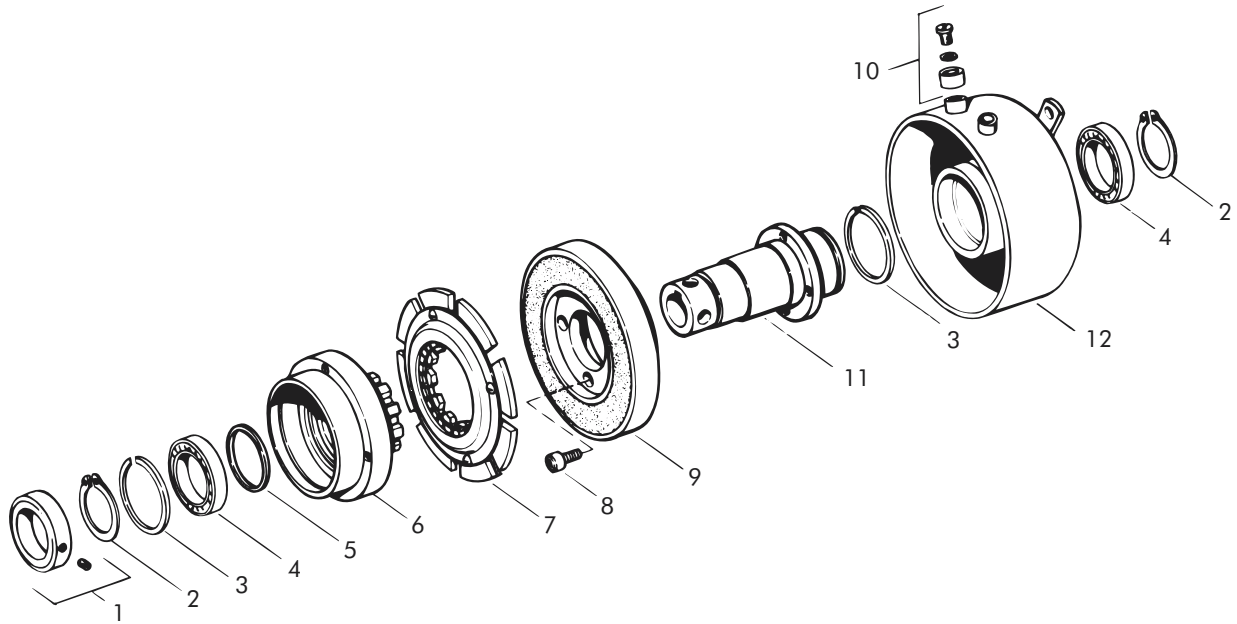
Toll Free Phone (877) SERV098

Toll Free Fax (877) SERV099

www.electromate.com

sales@electromate.com

Sheave Clutch – Replacement Parts



Replacement Parts

Item	Qty.	Description	Part No.	Item	Qty.	Description	Part No.
1	1	Collar	326519-1	11	1	Drive Sleeve	
2	2	Retaining Ring (External)	DY-1102			1/2" Bore	304756-1
3	2	Retaining Ring (Internal)	DY-10860			5/8" Bore	304756-2
4	2	Bearing	DY-11500			3/4" Bore	304756-3
5	1	Bearing Spacer	326543			7/8" Bore	304756-4
6	1	Hub and Flange Assembly	304462-8	12	1	Field	
7	1	Armature Assembly	304396-8			24 Volts	304333
8	4	Socket Head Cap Screw	DY-14601			90 Volts	304334
9	1	Rotor Assembly	304555-8				
10	1	Magnet Accessory	326146-2				

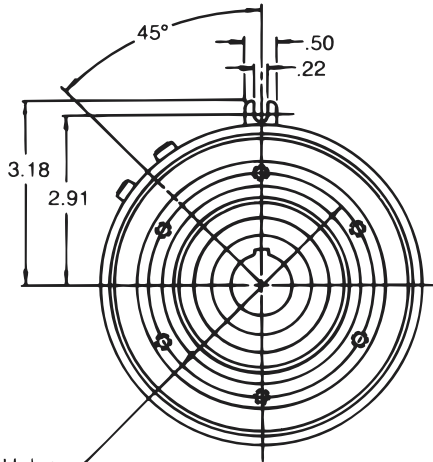
Sheave Clutch

Model

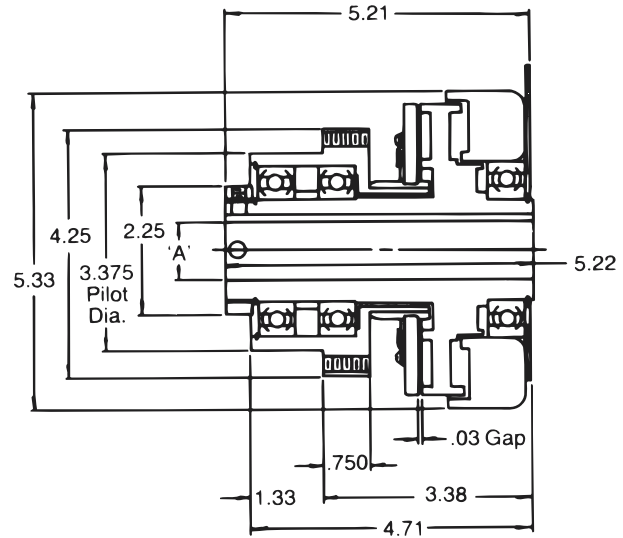
● 305



- ▶ Factory Assembled and Tested
- ▶ Bearing Mounted
- ▶ Spline Drive



1/4-20 Mounting Holes
6 Holes Equally Spaced
On a 3.875 B.C.



Bore "A"	Keyway
3/4"	.187 x .094
7/8"	.187 x .094
1"	.250 x .125
1-1/8"	.250 x .125
1-1/4"	.250 x .125

Technical Data and Torque (In. Lb.)

Model No.	Wt. Lbs.	Static Torque in. lb.	Max. Speed RPM	Coil Voltage vdc	*Rated Current amps	RPM									
						0	300	600	900	1200	1500	1800	2400	3000	3600
305	13.2	684	3600	90	.40	684	624	564	516	468	420	384	324	288	252

* Rated Current for 90v.
Refer to Section M for torque and heat dissipation curves.

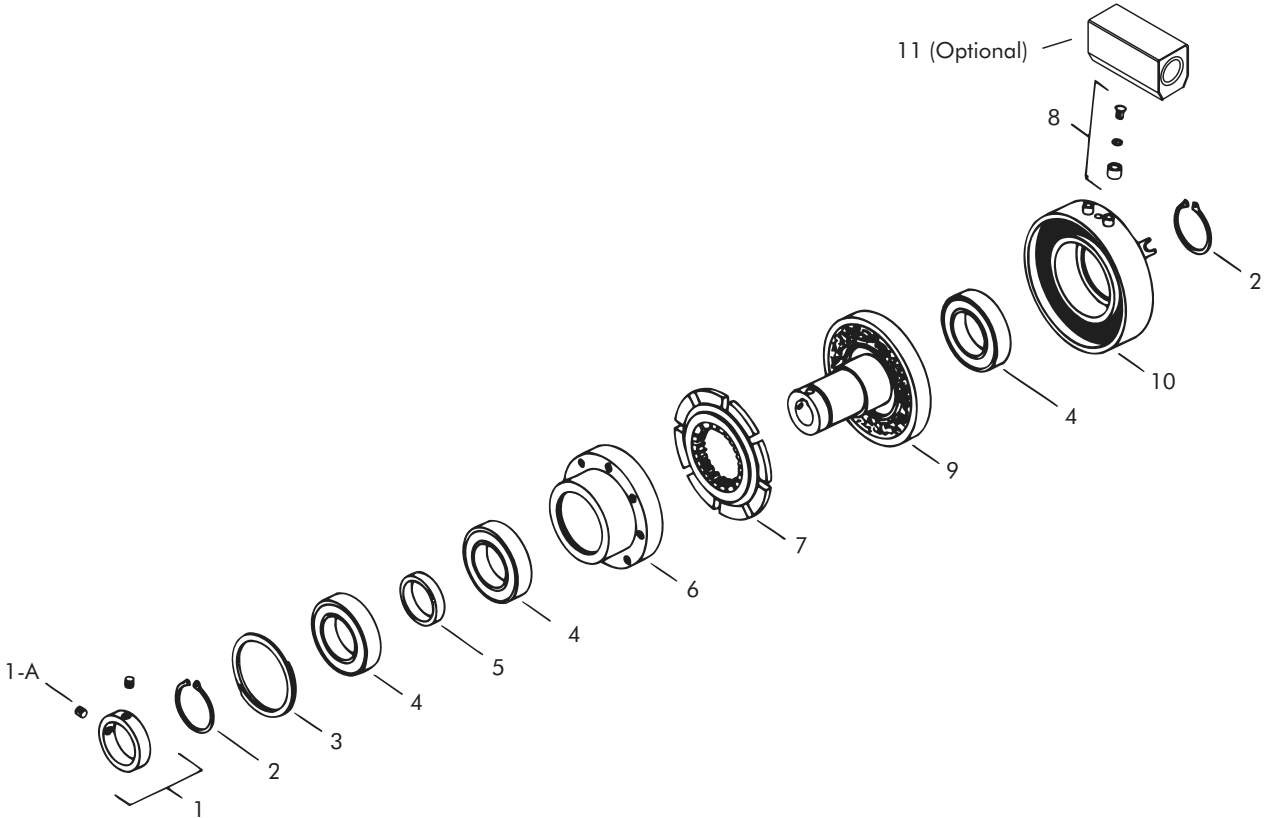
	Model No. 305
24 Volts, 3/4" Bore	305140-3
24 Volts, 7/8" Bore	305140-7
24 Volts, 1" Bore	305140-11
24 Volts, 1-1/8" Bore	305140-19
24 Volts, 1-1/4" Bore	305140-15
90 Volts, 3/4" Bore	305140-4
90 Volts, 7/8" Bore	305140-8
90 Volts, 1" Bore	305140-12
90 Volts, 1-1/8" Bore	305140-20
90 Volts, 1-1/4" Bore	305140-16

To order, use number shown in Table above.
For controls, see Section K.

Sold & Serviced By:

 Toll Free Phone (877) SERV098
 Toll Free Fax (877) SERV099
www.electromate.com
sales@electromate.com

Sheave Clutch – Replacement Parts



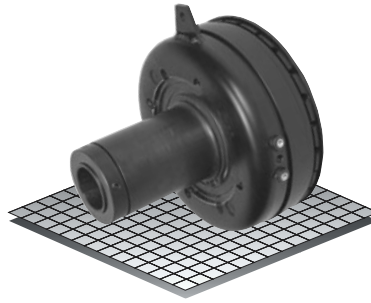
Replacement Parts

Item	Qty.	Description	Part No.	Item	Qty.	Description	Part No.
1	1	Collar	326710	9	1	Rotor Drive Sleeve	
1-A	1	Set Screw	102069			3/4" Bore	305555-11
2	2	Retaining Ring (External)	RY-20141			7/8" Bore	305555-12
3	2	Retaining Ring (Internal)	RY-20261			1" Bore	305555-13
4	2	Bearing	DY-6953			1-1/8" Bore	305555-22
5	1	Bearing Spacer	326711			1-1/4" Bore	305555-14
6	1	Hub and Flange Assembly	305462-1	10	1	Field	
7	1	Armature Assembly	305396-1			24 Volts	305333
8	1	Magnet Accessory	326146-1			90 Volts	305334
				11	1	Conduit Box (Optional)	326143

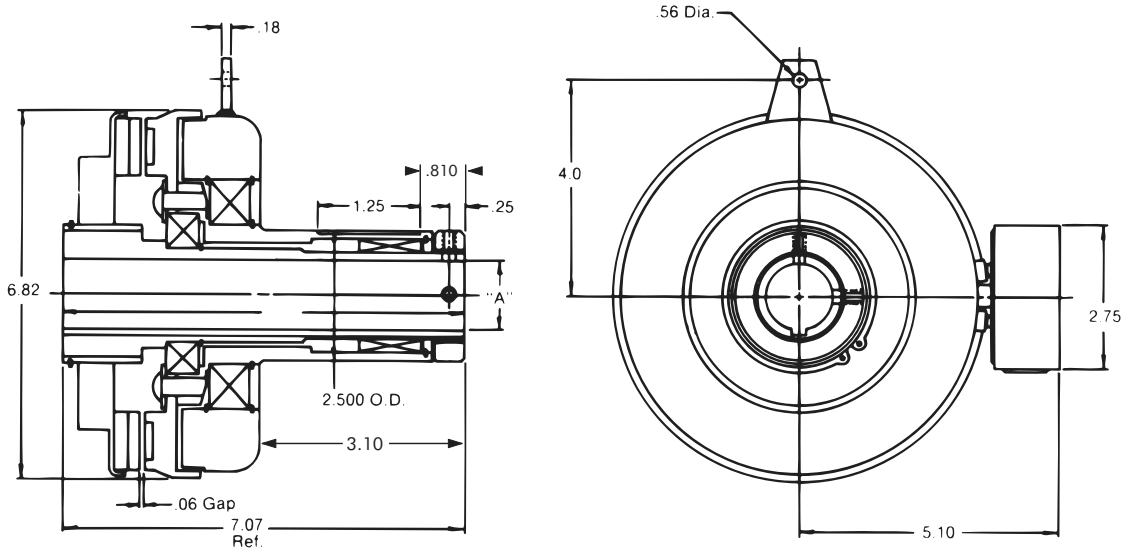
Sheave Clutch

Models

● 307



- ▶ Factory Assembled and Tested
- ▶ Bearing Mounted
- ▶ Spline Drive



Bore "A"	Keyway
1"	.250 / .251
1-1/8"	.250 / .251
1-1/4"	.250 / .251
*1-3/8"	.312 / .313

*Special Key Furnished

Technical Data and Torque (In. Lb.)

Model No.	Wt. Lbs.	Static Torque in. lb.	Max. Speed RPM	Coil Voltage vdc	* Rated Current amps	RPM									
						0	300	600	900	1200	1500	1800	2400	3000	3600
307	15.4	1500	3600	90	.48	1500	1320	1140	1020	960	900	804	636	516	420

Refer to Section M for torque and heat dissipation curves.

* Rated Current for 90v.

	Model No. 307
24 Volts, 1" Bore	307141-19
24 Volts, 1-1/8" Bore	307141-23
24 Volts, 1-1/4" Bore	307141-27
24 Volts, 1-3/8" Bore	307141-31
90 Volts, 1" Bore	307141-20
90 Volts, 1-1/8" Bore	307141-24
90 Volts, 1-1/4" Bore	307141-28
90 Volts, 1-3/8" Bore	307141-32

To order, use number shown in Table above.
For controls, see Section K.

Sold & Serviced By:

ELECTROMATE

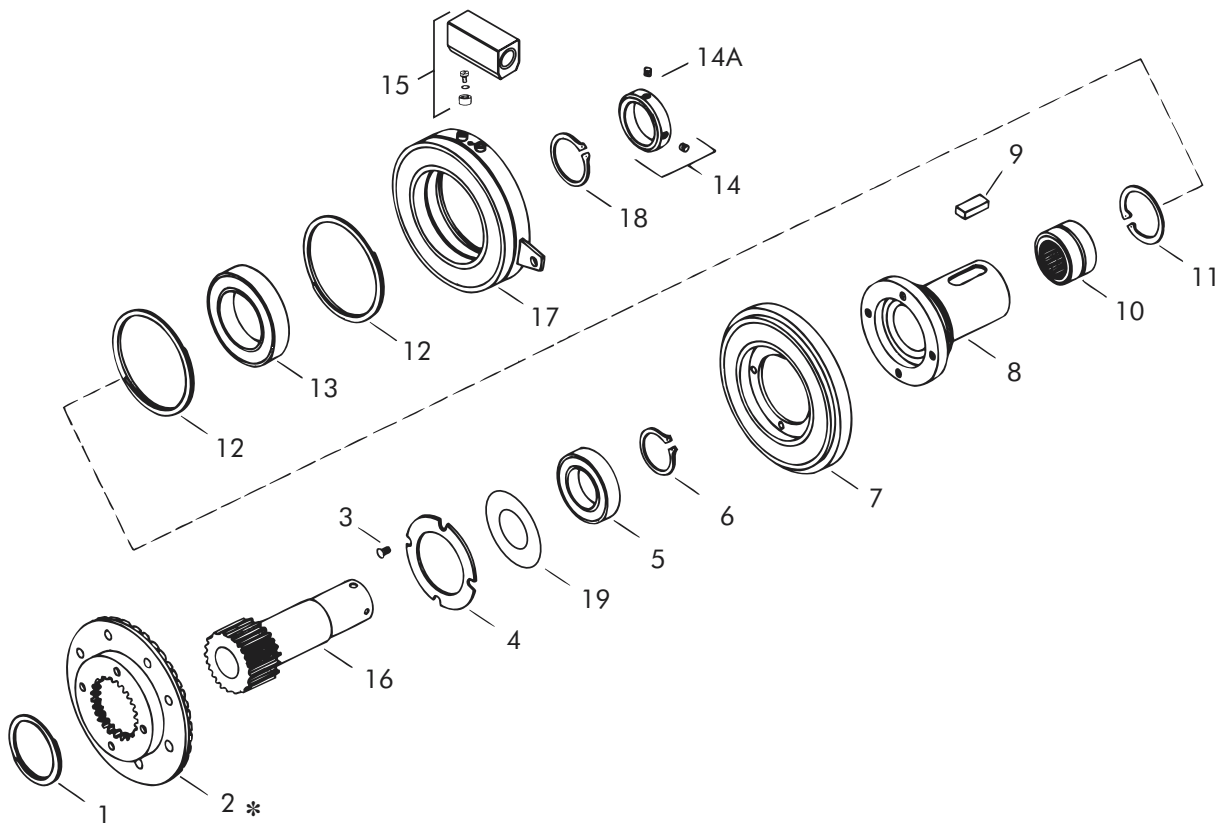
Toll Free Phone (877) SERV098

Toll Free Fax (877) SERV099

www.electromate.com

sales@electromate.com

Sheave Clutch – Replacement Parts



Replacement Parts

Item	Qty.	Description	Part No.	Item	Qty.	Description	Part No.
1	1	Retaining Ring (External)	RY-20207	14-A	2	Set Screw	DY-12665
2	1	Armature Assembly	307382-1	15	1	Clutch Accessory	326690
3	4	Screw	RY-20110	16	1	Drive Sleeve	
4	1	Bearing Retainer	326686			1" Bore	307821-9
5	1	Bearing	DY-6953			1-1/8" Bore	307821-10
6	1	Retaining Ring (External)	RY-20109			1-1/4" Bore	307821-11
7	1	Rotor Assembly	307820-11			1-3/8" Bore	307821-12
8	1	Bearing Hub	307752	17	1	Field	
9	1	Key	326688			24 Volts	307733-1
10	1	Needle Bearing	RY-20107			90 Volts	307734-1
11	1	Retaining Ring (Internal)	RY-20108	18	1	Retaining Ring (External)	RY-20037
12	2	Retaining Ring (Internal)	RY-20042	19	1	Felt Washer	326769-2
13	1	Bearing	RY-20047				
14	1	Lock Collar	326685				

* Current design armatures are solid.