

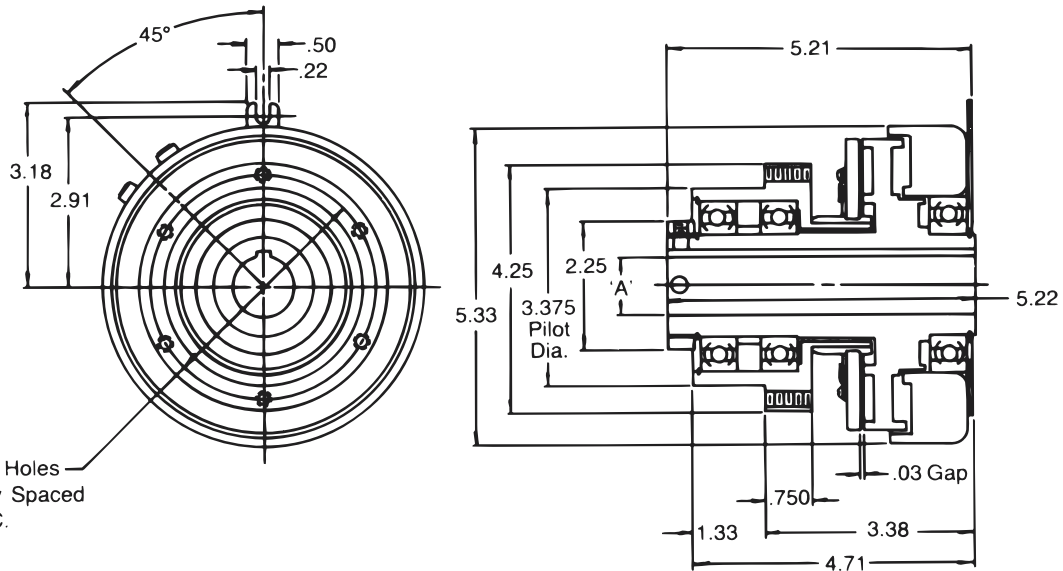
Sheave Clutch

Model

● 305



- ▶ Factory Assembled and Tested
- ▶ Bearing Mounted
- ▶ Spline Drive



1/4-20 Mounting Holes
6 Holes Equally Spaced
On a 3.875 B.C.

Bore "A"	Keyway
3/4"	.187 x .094
7/8"	.187 x .094
1"	.250 x .125
1-1/8"	.250 x .125
1-1/4"	.250 x .125

Technical Data and Torque (In. Lb.)

Model No.	Wt. Lbs.	Static Torque in. lb.	Max. Speed RPM	Coil Voltage vdc	*Rated Current amps	RPM									
						0	300	600	900	1200	1500	1800	2400	3000	3600
305	13.2	684	3600	90	.40	684	624	564	516	468	420	384	324	288	252

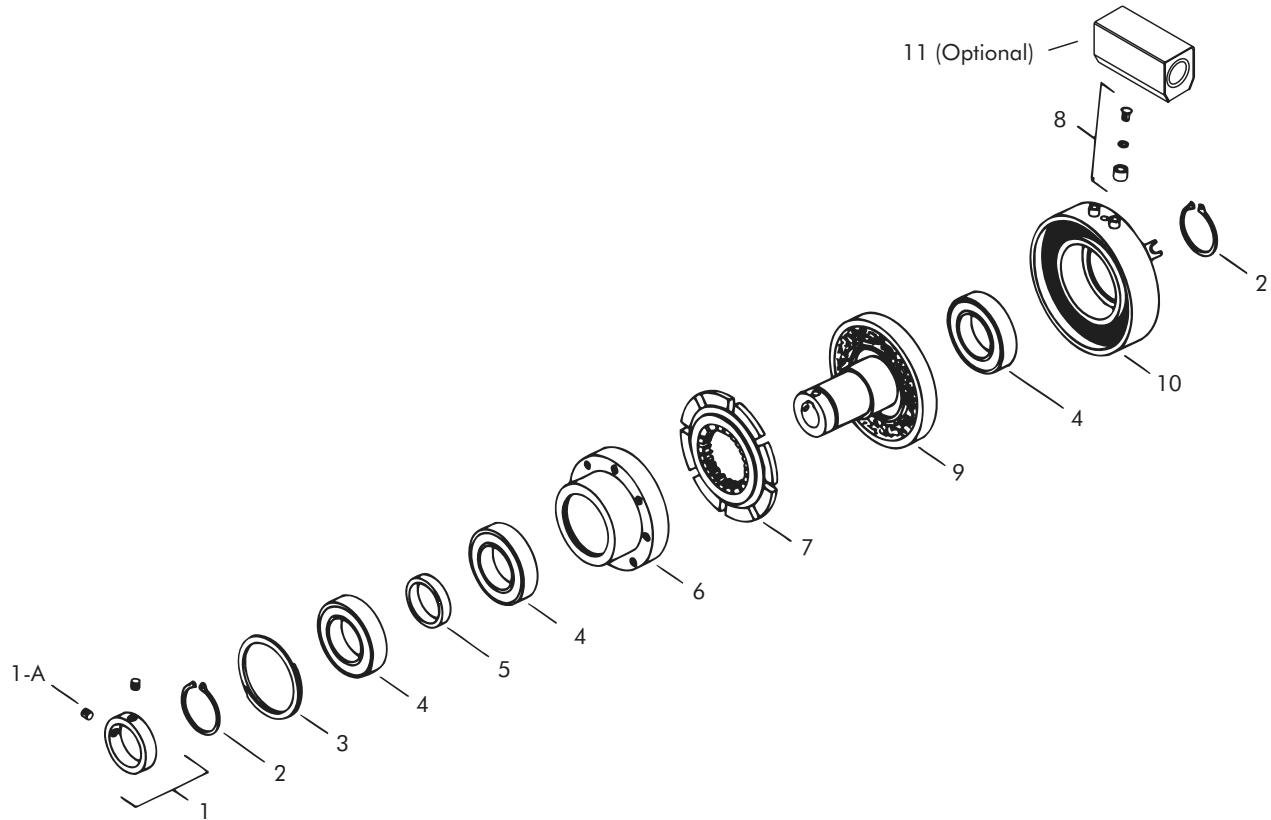
* Rated Current for 90v.
Refer to Section M for torque and heat dissipation curves.

	Model No. 305
24 Volts, 3/4" Bore	305140-3
24 Volts, 7/8" Bore	305140-7
24 Volts, 1" Bore	305140-11
24 Volts, 1-1/8" Bore	305140-19
24 Volts, 1-1/4" Bore	305140-15
90 Volts, 3/4" Bore	305140-4
90 Volts, 7/8" Bore	305140-8
90 Volts, 1" Bore	305140-12
90 Volts, 1-1/8" Bore	305140-20
90 Volts, 1-1/4" Bore	305140-16

To order, use number shown in Table above.
For controls, see Section K.

Sold & Serviced By:
ELECTROMATE
Toll Free Phone (877) SERV098
Toll Free Fax (877) SERV099
www.electromate.com
sales@electromate.com

Sheave Clutch – Replacement Parts



Replacement Parts

Item	Qty.	Description	Part No.	Item	Qty.	Description	Part No.
1	1	Collar	326710	9	1	Rotor Drive Sleeve	
1-A	1	Set Screw	102069			3/4" Bore	305555-11
2	2	Retaining Ring (External)	RY-20141			7/8" Bore	305555-12
3	2	Retaining Ring (Internal)	RY-20261			1" Bore	305555-13
4	2	Bearing	DY-6953			1-1/8" Bore	305555-22
5	1	Bearing Spacer	326711			1-1/4" Bore	305555-14
6	1	Hub and Flange Assembly	305462-1	10	1	Field	305333
7	1	Armature Assembly	305396-1			24 Volts	305334
8	1	Magnet Accessory	326146-1			90 Volts	326143
				11	1	Conduit Box (Optional)	