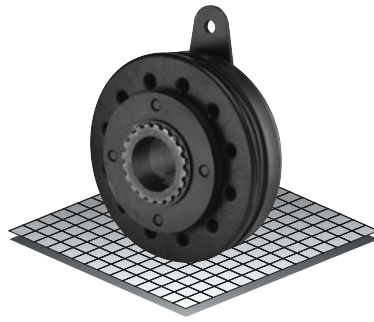


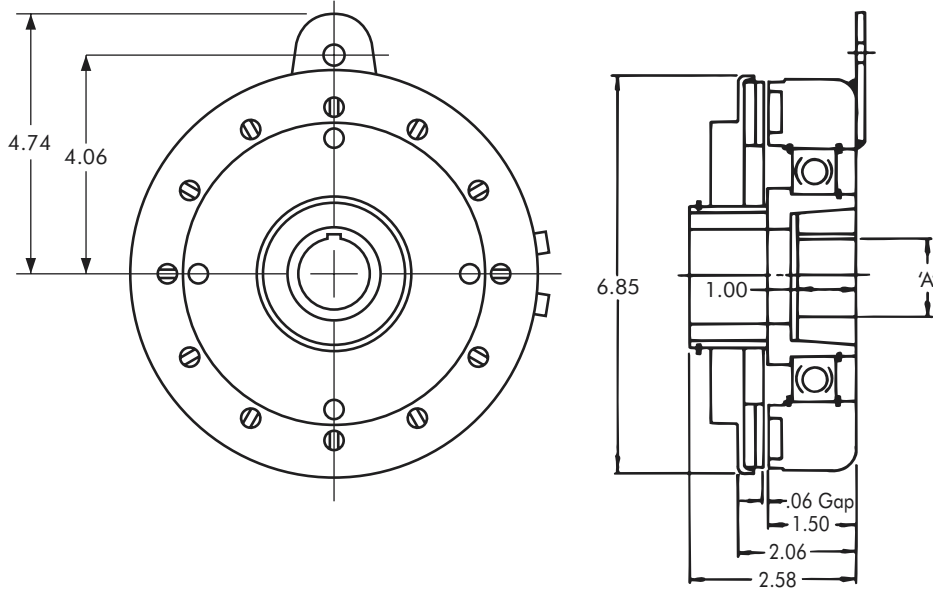
Shaft Mounted Brake

Model

● 307



- ▶ Factory Assembled and Tested
- ▶ Bearing Mounted
- ▶ Spline Drive



Bushing 1610

Bore 'A'		Keyway	Part No.
1/2"	.500	.125 x .062	326642 - 1
9/16"	.562	.125 x .062	326642 - 2
5/8"	.625	.187 x .093	326642 - 3
11/16"	.687	.187 x .093	326642 - 4
3/4"	.750	.187 x .093	326642 - 5
13/16"	.812	.187 x .093	326642 - 6
7/8"	.875	.187 x .093	326642 - 7
15/16"	.937	.250 x .125	326642 - 8
1"	1.000	.250 x .125	326642 - 9
1-1/16"	1.062	.250 x .125	326642 - 10
1-1/8"	1.125	.250 x .125	326642 - 11
1-3/16"	1.187	.250 x .125	326642 - 12
1-1/4"	1.250	.250 x .125	326642 - 13
1-5/16"	1.312	.312 x .156	326642 - 14
1-3/8"	1.375	.312 x .156	326642 - 15
1-7/16"	1.437	.375 x .187	326642 - 16
1-1/2"	1.500	.375 x .187	326642 - 17
1-9/16"	1.562	.375 x .187	326642 - 18
1-5/8"	1.625	.375 x .187	326642 - 19

Technical Data and Torque (In. Lb.)

Model No.	Wt. Lbs.	Static Torque in. lb.	Max. Speed RPM	Coil Voltage vdc	* Rated Current amps	RPM									
						0	300	600	900	1200	1500	1800	2400	3000	3600
307	12	1500	3600	90	.48	1500	1320	1140	1020	960	900	804	636	516	420

* Rated Current for 90v.

Refer to Section M for torque and heat dissipation curves.

Order Parts for Assembly No. FC307090

	Shaft Mounted Brake	Tapered Bushing (1610)
24 Volts	307090-3	326642-XX
90 Volts	307090-4	326642-XX

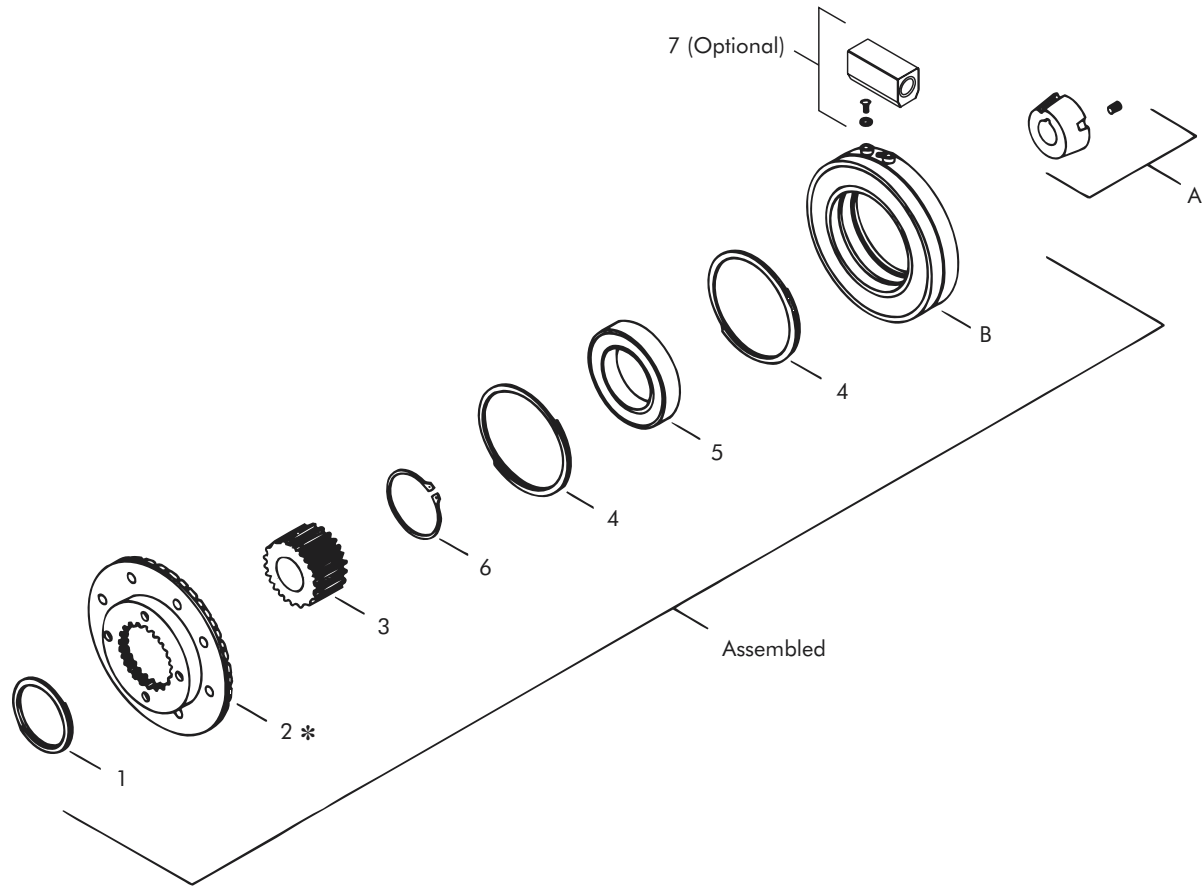
To order, specify: 1, shaft mounted brake of required voltage
1, bushing plus bore size.

For controls, see Section K.

Sold & Serviced By:

 Toll Free Phone (877) SERV098
 Toll Free Fax (877) SERV099
www.electromate.com
sales@electromate.com

Shaft Mounted Brake – Replacement Parts



Replacement Parts

Item	Qty.	Description	Part No.	Item	Qty.	Description	Part No.
1	1	Retaining Ring (External)	RY-20207	A	1	Taper Bushing (1610)	326642-XX
2	1	Armature Assembly	307382-1	B	1	Magnet	
3	1	Splined Hub	307467-1			24 Volts	307333
4	2	Retaining Ring (Internal)	RY-20042			90 Volts	307334
5	1	Bearing	RY-20047	8	1	Torque Arm Kit (Opt.) (not shown)	327047
6	1	Retaining Ring (External)	RY-20037				
7	1	Conduit Box (Optional)	326690				

See Page E-12 for information on Torque Arm Kit.

* Current design armatures are solid.

Sold & Serviced By:

ELECTROMATE

Toll Free Phone (877) SERV098
 Toll Free Fax (877) SERV099
www.electromate.com
sales@electromate.com