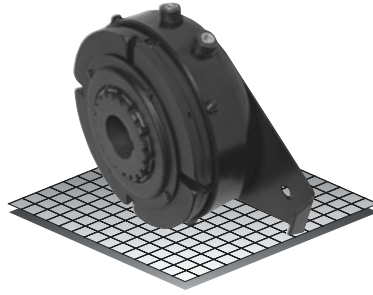


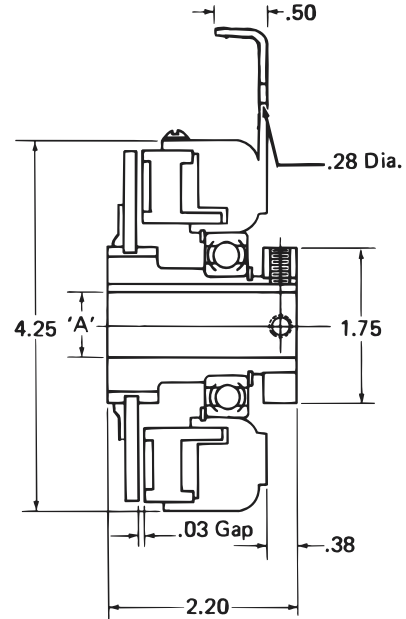
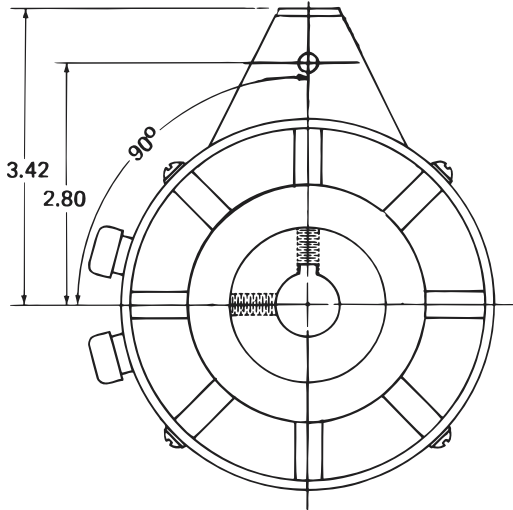
# Shaft Mounted Brake

Model

● 304



- ▶ Factory Assembled and Tested
- ▶ Bearing Mounted
- ▶ Replaceable Face
- ▶ Spline Drive



Bore "A"	Keyway
1/2"	.125 x .062
5/8"	.187 x .094
3/4"	.187 x .094
7/8"	.187 x .094

## Technical Data and Torque (In. Lb.)

Model No.	Wt. Lbs.	Static Torque in. lb.	Max. Speed RPM	Coil Voltage vdc	* Rated Current amps	RPM									
						0	300	600	900	1200	1500	1800	2400	3000	3600
304	4	264	3600	90	.13	264	216	192	180	168	156	156	144	132	120

\* Rated Current for 90v.

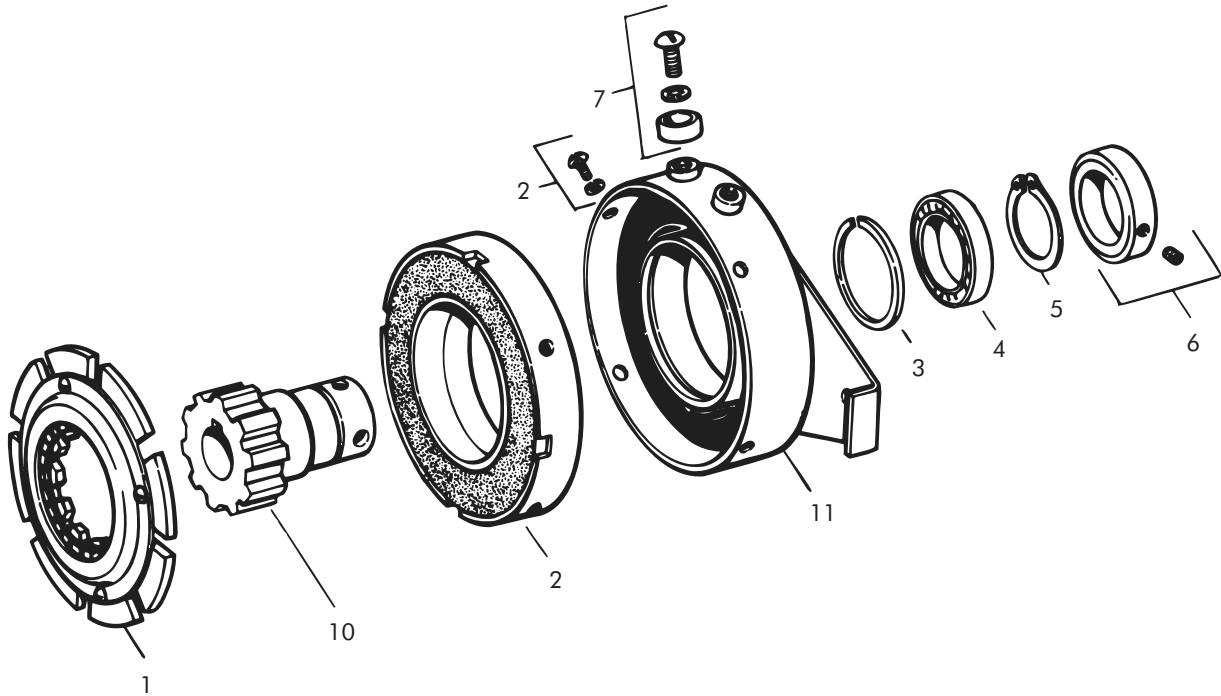
Refer to Section M for torque and heat dissipation curves.

	Model No. 304
24 Volts, 1/2" Bore	304090-9
24 Volts, 5/8" Bore	304090-10
24 Volts, 3/4" Bore	304090-11
24 Volts, 7/8" Bore	304090-12
90 Volts, 1/2" Bore	304090-13
90 Volts, 5/8" Bore	304090-14
90 Volts, 3/4" Bore	304090-15
90 Volts, 7/8" Bore	304090-16

To order, use number shown in Table above.  
For controls, see Section K.

Sold & Serviced By:  
  
 Toll Free Phone (877) SERV098  
 Toll Free Fax (877) SERV099  
[www.electromate.com](http://www.electromate.com)  
[sales@electromate.com](mailto:sales@electromate.com)

# Shaft Mounted Brake – Replacement Parts



## Replacement Parts

Item	Qty.	Description	Part No.	Item	Qty.	Description	Part No.
1	1	Armature Assembly	304396-8	10	1	Splined Hub	
2	1	Replaceable Face Assembly	304561-4			1/2" Bore	304455-1
3	1	Retaining Ring (Internal)	DY-10860			5/8" Bore	304455-2
4	1	Bearing	DY-11500			3/4" Bore	304455-3
5	1	Retaining Ring (External)	DY-1102			7/8" Bore	304455-4
6	1	Collar	326519-1	11	1	Magnet (Brake)	
7	1	Magnet Accessory	326146-2			24 Volts	304333-2
8	1	Torque Arm Kit (Opt.) (not shown)	327045			90 Volts	304334-2

See Page E-12 for information on Torque Arm Kit.

Sold & Serviced By:



Toll Free Phone (877) SERV098  
 Toll Free Fax (877) SERV099  
[www.electromate.com](http://www.electromate.com)  
[sales@electromate.com](mailto:sales@electromate.com)