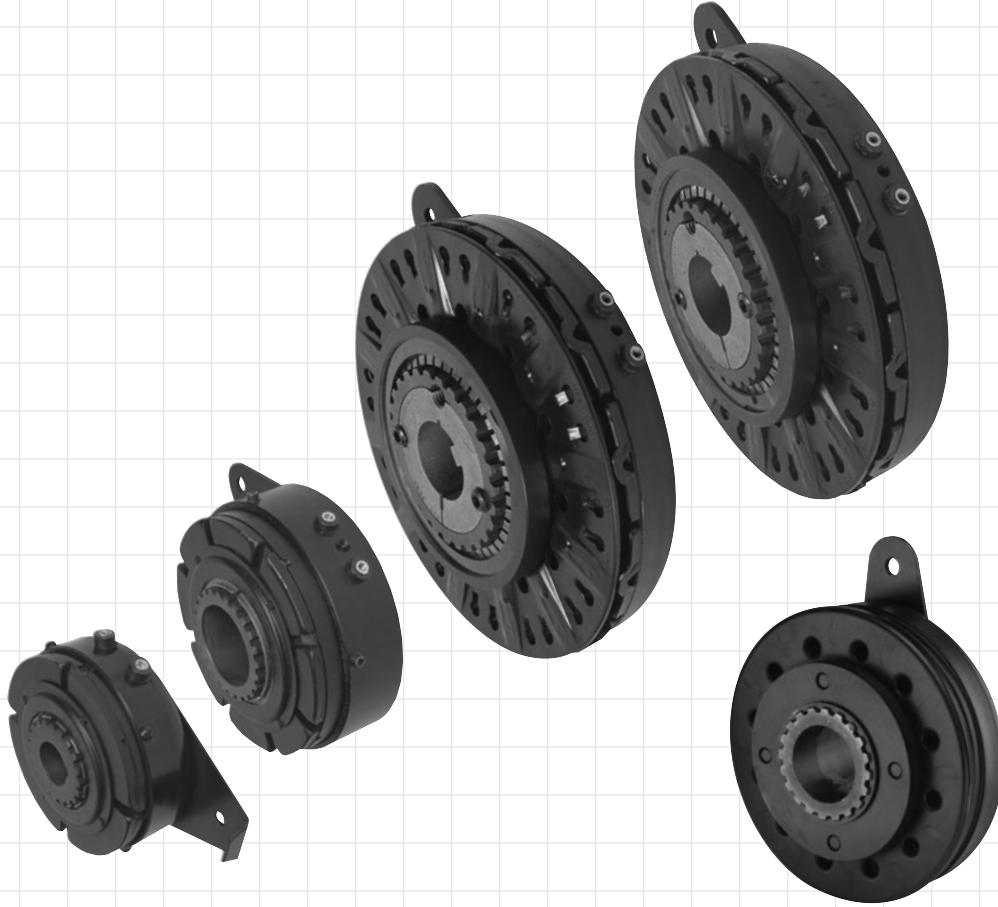


Shaft Mounted Brakes



Description

Dynacorp® shaft mounted brakes are available in five different sizes... 4", 5", 7", 8" and 10". These brakes are designed to be shaft mounted with the body of the brake held in place via a torque arm mounted to a stationary surface. As the brake is energized, braking action is exerted on the shaft and its associated load.

Section Index

Page

Products Complete information is shown for each product; including specifications, drawings, dimensions, parts list, recommended controls and information for ordering.

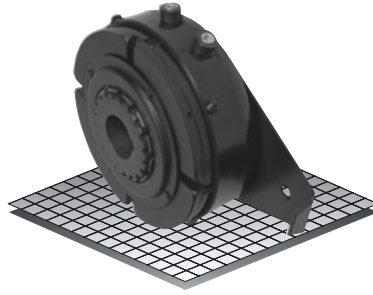
Model	Nominal Size	Mounting	Static Torque (In.-Lbs.)	Maximum HP @ 1800 RPM	Page
Model 304	4 inch	Bearing Mounted	264	1-1/2	E-2
Model 305	5 inch	Bearing Mounted	684	5	E-4
Model 307	7 inch	Bearing Mounted	1500	15	E-6
Model 308	8 inch	Bearing Mounted	2100	30	E-8
Model 310	10 inch	Bearing Mounted	3600	40	E-10

Torque Arm Accessories..... E-12

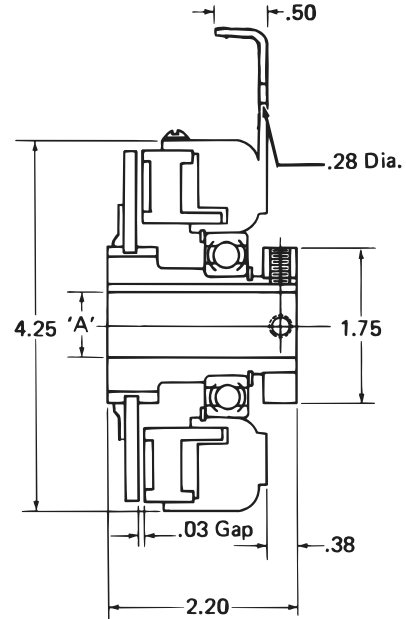
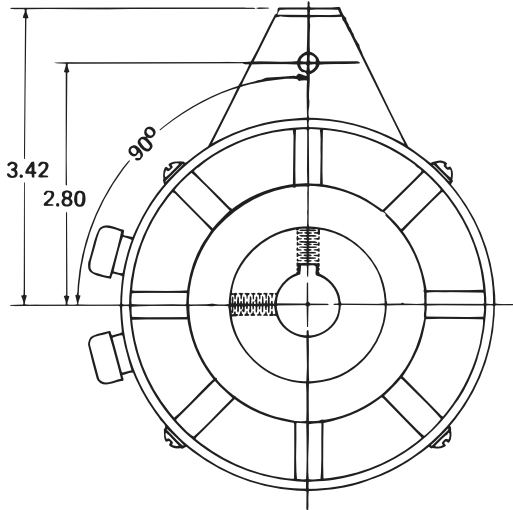
Shaft Mounted Brake

Model

● 304



- ▶ Factory Assembled and Tested
- ▶ Bearing Mounted
- ▶ Replaceable Face
- ▶ Spline Drive



Bore "A"	Keyway
1/2"	.125 x .062
5/8"	.187 x .094
3/4"	.187 x .094
7/8"	.187 x .094

Technical Data and Torque (In. Lb.)

Model No.	Wt. Lbs.	Static Torque in. lb.	Max. Speed RPM	Coil Voltage vdc	* Rated Current amps	RPM									
						0	300	600	900	1200	1500	1800	2400	3000	3600
304	4	264	3600	90	.13	264	216	192	180	168	156	156	144	132	120

* Rated Current for 90v.

Refer to Section M for torque and heat dissipation curves.

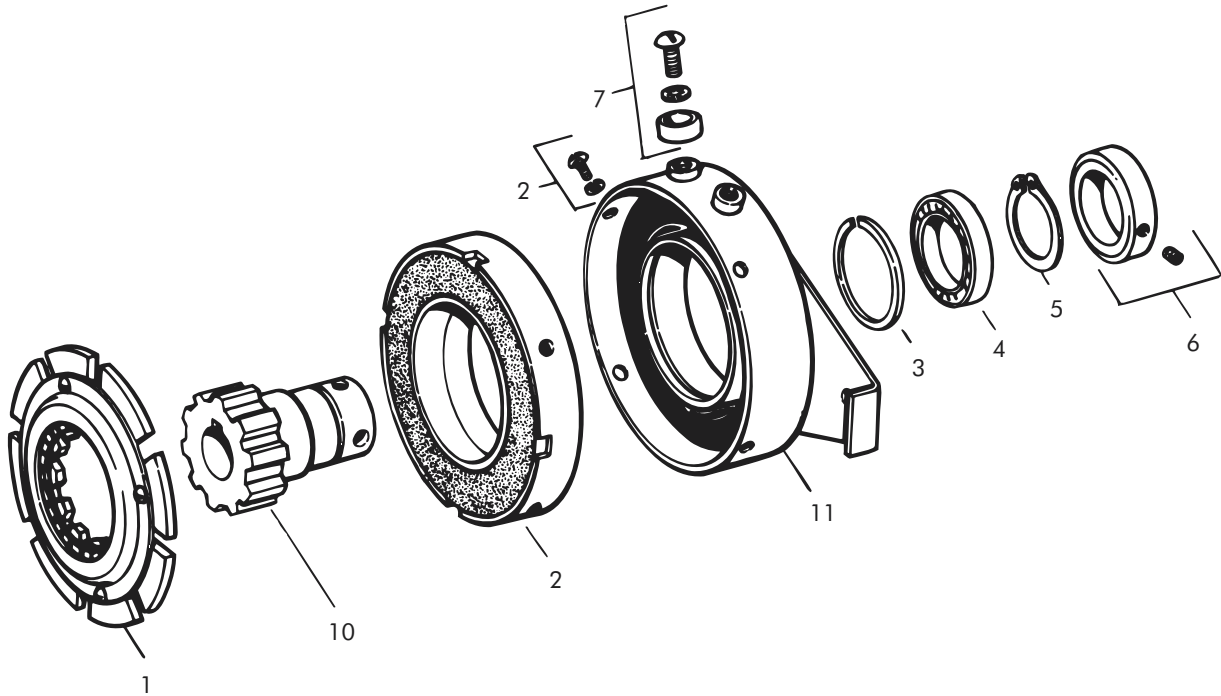
	Model No. 304
24 Volts, 1/2" Bore	304090-9
24 Volts, 5/8" Bore	304090-10
24 Volts, 3/4" Bore	304090-11
24 Volts, 7/8" Bore	304090-12
90 Volts, 1/2" Bore	304090-13
90 Volts, 5/8" Bore	304090-14
90 Volts, 3/4" Bore	304090-15
90 Volts, 7/8" Bore	304090-16

To order, use number shown in Table above.
For controls, see Section K.

Sold & Serviced By:

 Toll Free Phone (877) SERV098
 Toll Free Fax (877) SERV099
www.electromate.com
sales@electromate.com

Shaft Mounted Brake – Replacement Parts



Replacement Parts

Item	Qty.	Description	Part No.	Item	Qty.	Description	Part No.
1	1	Armature Assembly	304396-8	10	1	Splined Hub	
2	1	Replaceable Face Assembly	304561-4			1/2" Bore	304455-1
3	1	Retaining Ring (Internal)	DY-10860			5/8" Bore	304455-2
4	1	Bearing	DY-11500			3/4" Bore	304455-3
5	1	Retaining Ring (External)	DY-1102			7/8" Bore	304455-4
6	1	Collar	326519-1	11	1	Magnet (Brake)	
7	1	Magnet Accessory	326146-2			24 Volts	304333-2
8	1	Torque Arm Kit (Opt.) (not shown)	327045			90 Volts	304334-2

See Page E-12 for information on Torque Arm Kit.

Sold & Serviced By:

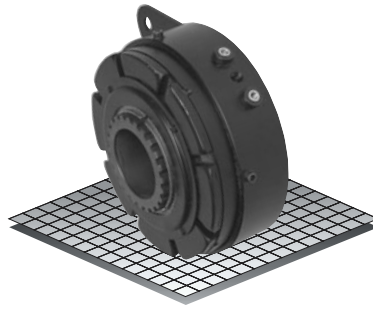


Toll Free Phone (877) SERV098
 Toll Free Fax (877) SERV099
www.electromate.com
sales@electromate.com

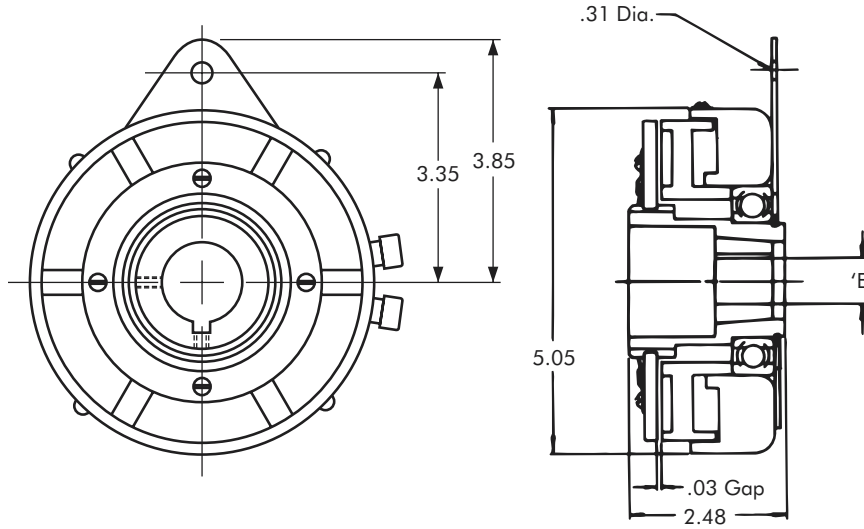
Shaft Mounted Brake

Model

● 305



- ▶ Factory Assembled and Tested
- ▶ Bearing Mounted
- ▶ Replaceable Face
- ▶ Spline Drive



Bushing 1008

Bore 'E'	Keyway	Part No.
1/2"	.500 .125 x .062	326244 - 4
9/16"	.562 .125 x .062	326244 - 5
5/8"	.625 .187 x .093	326244 - 6
11/16"	.687 .187 x .093	326244 - 7
3/4"	.750 .187 x .093	326244 - 1
13/16"	.812 .187 x .093	326244 - 8
7/8"	.875 .187 x .093	326244 - 2
15/16"	.937 .250 x .125	326244 - 9
1"	1.000 .250 x .125	326244 - 3

Technical Data and Torque (In. Lb.)

Model No.	Wt. Lbs.	Static Torque in. lb.	Max. Speed RPM	Coil Voltage vdc	* Rated Current amps	RPM									
						0	300	600	900	1200	1500	1800	2400	3000	3600
305	7	684	3600	90	.40	684	624	564	516	468	420	384	324	288	252

* Rated Current for 90v.

Refer to Section M for torque and heat dissipation curves.

Order Parts for Assembly No. FC305090

	Shaft Mounted Brake	Tapered Bushing (1008)
24 Volts	305090-3	326244-XX
90 Volts	305090-4	326244-XX

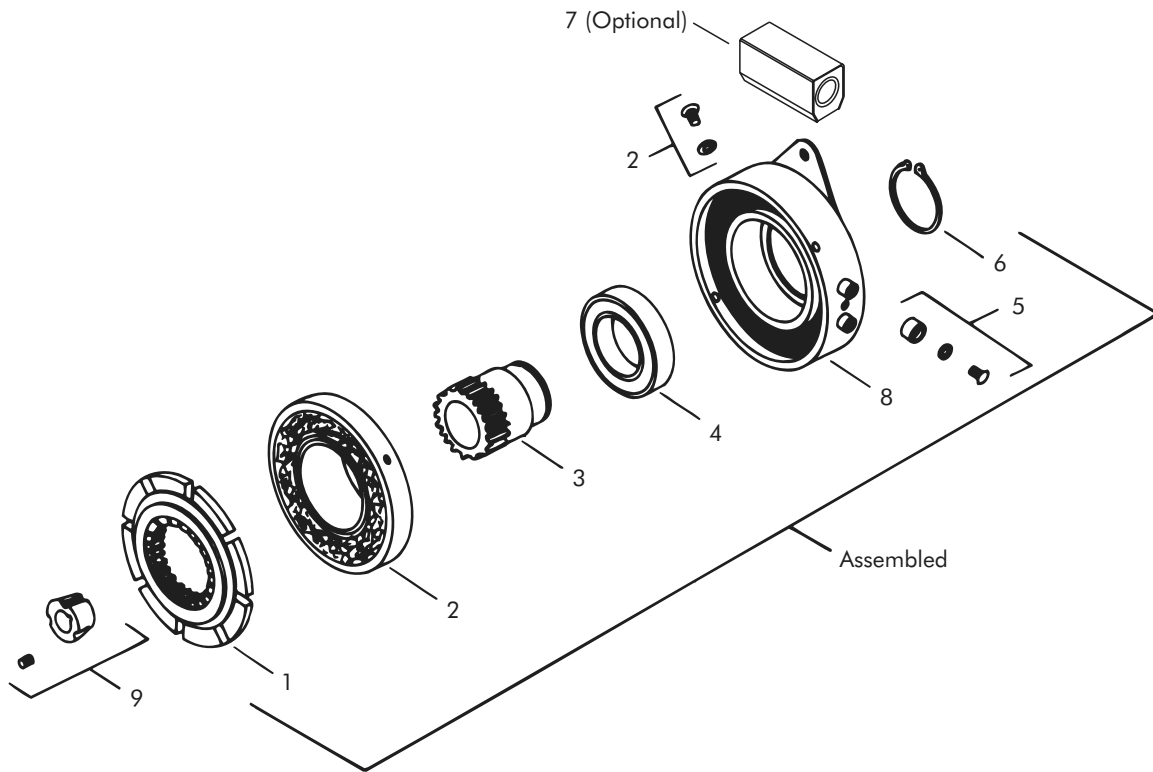
To order, specify: 1, shaft mounted brake of required voltage
1, bushing plus bore size.

For controls, see Section K.

Sold & Serviced By:

 Toll Free Phone (877) SERV098
 Toll Free Fax (877) SERV099
www.electromate.com
sales@electromate.com

Shaft Mounted Brake – Replacement Parts



Replacement Parts

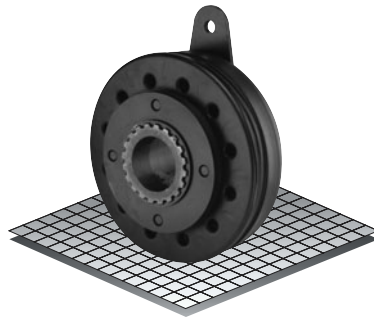
Item	Qty.	Description	Part No.	Item	Qty.	Description	Part No.
1	1	Armature Assembly	305396-1	8	1	Magnet 24 Volts 90 Volts	305333-3 305334-3
2	1	Replaceable Face Assembly	305561				
3	1	Armature Hub	305454-27				
4	1	Bearing	DY-6953				
5	1	Terminal Accessory	326146-1	9	1	Taper Bushing (1008)	326244-XX
6	1	Retaining Ring (External)	DY12712	10	1	Torque Arm Kit (Opt.) (not shown)	327046
7	1	Conduit Box (Optional)	326143				

See Page E-12 for information on Torque Arm Kit.

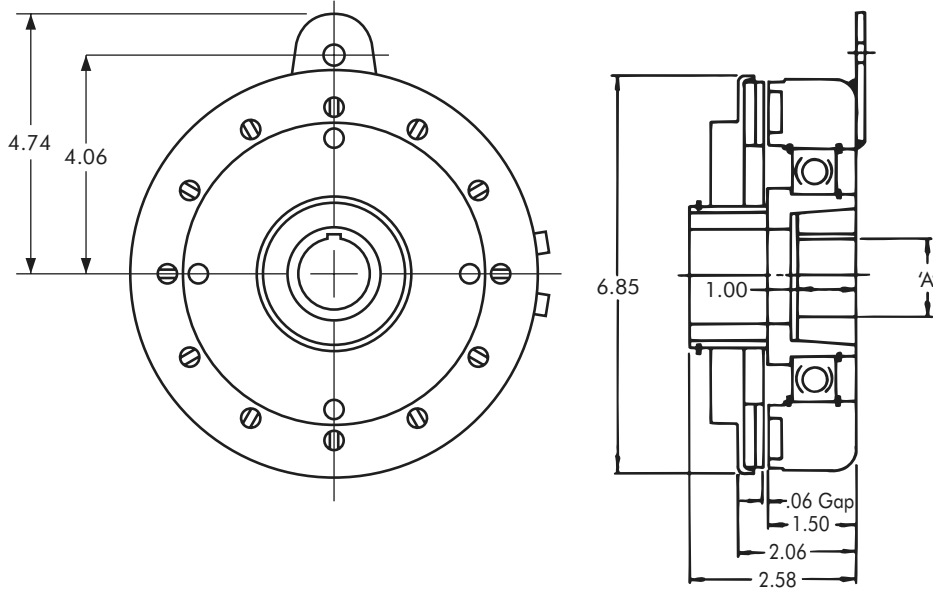
Shaft Mounted Brake

Model

● 307



- ▶ Factory Assembled and Tested
- ▶ Bearing Mounted
- ▶ Spline Drive



Bushing 1610

Bore 'A'		Keyway	Part No.
1/2"	.500	.125 x .062	326642 - 1
9/16"	.562	.125 x .062	326642 - 2
5/8"	.625	.187 x .093	326642 - 3
11/16"	.687	.187 x .093	326642 - 4
3/4"	.750	.187 x .093	326642 - 5
13/16"	.812	.187 x .093	326642 - 6
7/8"	.875	.187 x .093	326642 - 7
15/16"	.937	.250 x .125	326642 - 8
1"	1.000	.250 x .125	326642 - 9
1-1/16"	1.062	.250 x .125	326642 - 10
1-1/8"	1.125	.250 x .125	326642 - 11
1-3/16"	1.187	.250 x .125	326642 - 12
1-1/4"	1.250	.250 x .125	326642 - 13
1-5/16"	1.312	.312 x .156	326642 - 14
1-3/8"	1.375	.312 x .156	326642 - 15
1-7/16"	1.437	.375 x .187	326642 - 16
1-1/2"	1.500	.375 x .187	326642 - 17
1-9/16"	1.562	.375 x .187	326642 - 18
1-5/8"	1.625	.375 x .187	326642 - 19

Technical Data and Torque (In. Lb.)

Model No.	Wt. Lbs.	Static Torque in. lb.	Max. Speed RPM	Coil Voltage vdc	* Rated Current amps	RPM									
						0	300	600	900	1200	1500	1800	2400	3000	3600
307	12	1500	3600	90	.48	1500	1320	1140	1020	960	900	804	636	516	420

* Rated Current for 90v.

Refer to Section M for torque and heat dissipation curves.

Order Parts for Assembly No. FC307090

	Shaft Mounted Brake	Tapered Bushing (1610)
24 Volts	307090-3	326642-XX
90 Volts	307090-4	326642-XX

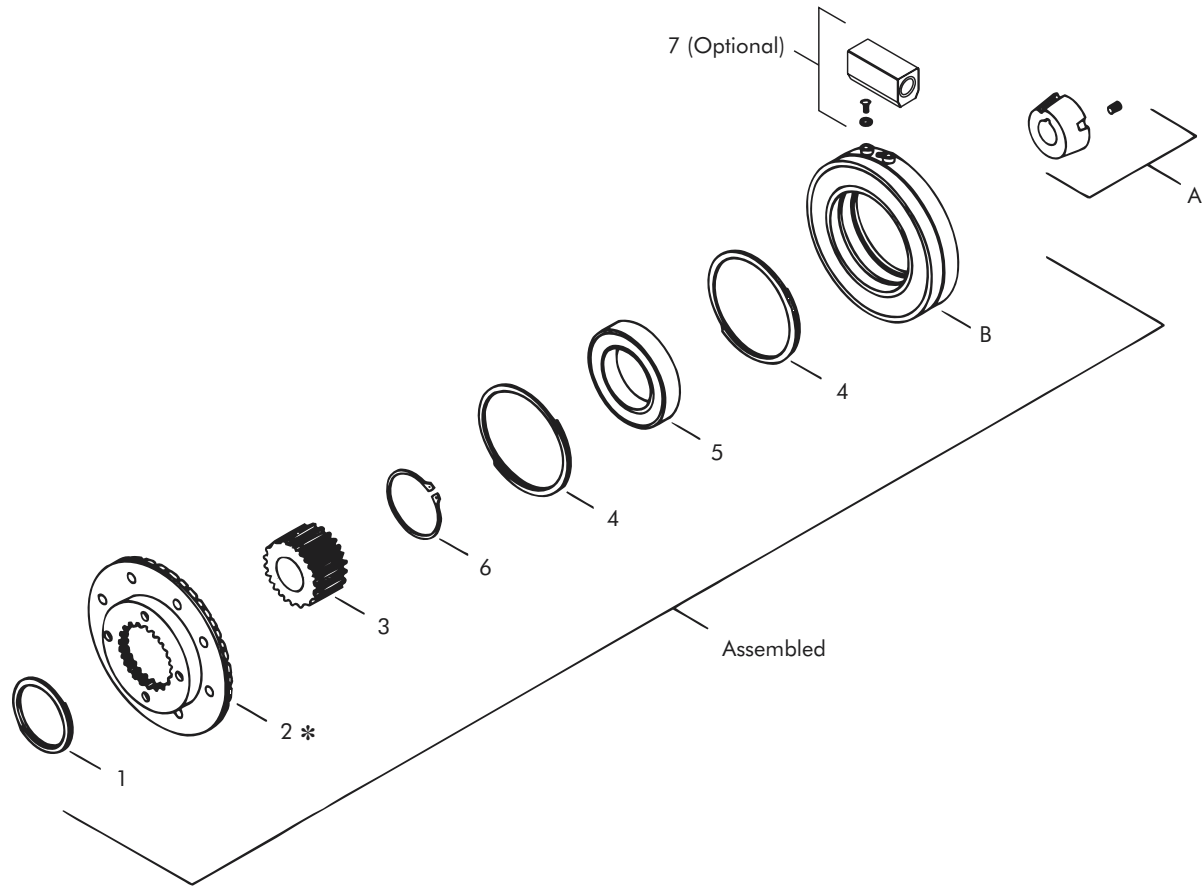
To order, specify: 1, shaft mounted brake of required voltage
1, bushing plus bore size.

For controls, see Section K.

Sold & Serviced By:

 Toll Free Phone (877) SERV098
 Toll Free Fax (877) SERV099
www.electromate.com
sales@electromate.com

Shaft Mounted Brake – Replacement Parts



Replacement Parts

Item	Qty.	Description	Part No.	Item	Qty.	Description	Part No.
1	1	Retaining Ring (External)	RY-20207	A	1	Taper Bushing (1610)	326642-XX
2	1	Armature Assembly	307382-1	B	1	Magnet	
3	1	Splined Hub	307467-1			24 Volts	307333
4	2	Retaining Ring (Internal)	RY-20042			90 Volts	307334
5	1	Bearing	RY-20047	8	1	Torque Arm Kit (Opt.) (not shown)	327047
6	1	Retaining Ring (External)	RY-20037				
7	1	Conduit Box (Optional)	326690				

See Page E-12 for information on Torque Arm Kit.

* Current design armatures are solid.

Sold & Serviced By:

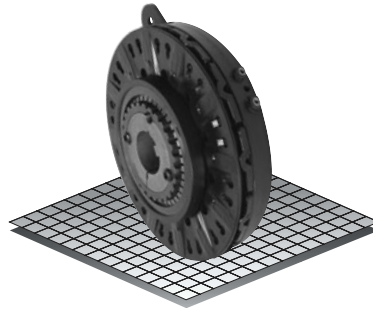
ELECTROMATE

Toll Free Phone (877) SERV098
 Toll Free Fax (877) SERV099
www.electromate.com
sales@electromate.com

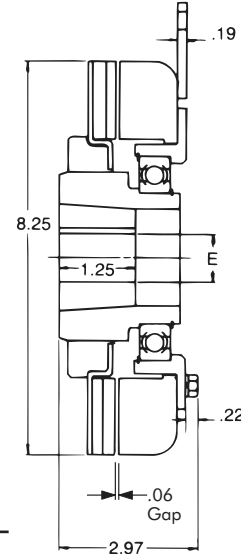
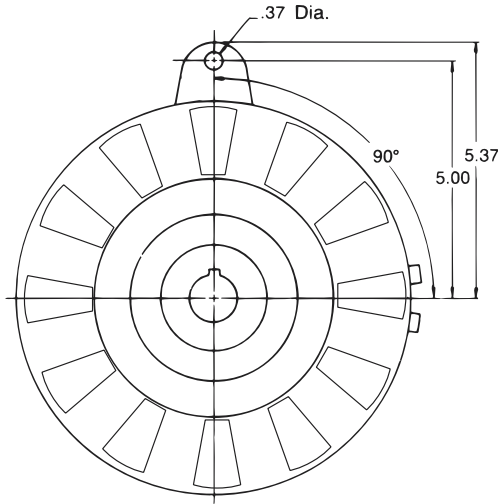
Shaft Mounted Brake

Model

● 308



- ▶ Factory Assembled and Tested
- ▶ Bearing Mounted
- ▶ Spline Drive



Bushing 2012

Bore 'E'	Keyway	Part No.
1/2"	.500 .125 x .062	326167 - 8
9/16"	.562 .125 x .062	326167 - 9
5/8"	.625 .187 x .093	326167 - 10
11/16"	.687 .187 x .093	326167 - 11
3/4"	.750 .187 x .093	326167 - 12
13/16"	.812 .187 x .093	326167 - 13
7/8"	.875 .187 x .093	326167 - 14
15/16"	.937 .250 x .125	326167 - 15
1"	1.000 .250 x .125	326167 - 16
1-1/16"	1.062 .250 x .125	326167 - 17
1-1/8"	1.125 .250 x .125	326167 - 18
1-3/16"	1.187 .250 x .125	326167 - 19
1-1/4"	1.250 .250 x .125	326167 - 7
1-5/16"	1.312 .312 x .156	326167 - 20
1-3/8"	1.375 .312 x .156	326167 - 6
1-7/16"	1.437 .375 x .187	326167 - 21
1-1/2"	1.500 .375 x .187	326167 - 1
1-9/16"	1.562 .375 x .187	326167 - 22
1-5/8"	1.625 .375 x .187	326167 - 2
1-11/16"	1.687 .375 x .187	326167 - 23
1-3/4"	1.750 .375 x .187	326167 - 3
1-13/16"	1.812 .500 x .250	326167 - 24
1-7/8"	1.875 .500 x .250	326167 - 4
1-15/16"	1.937 .500 x .187	326167 - 25
2"	2.000 .500 x .187	326167 - 5

Technical Data and Torque (In. Lb.)

Model No.	Wt. Lbs.	Static Torque in. lb.	Max. Speed RPM	Coil Voltage vdc	* Rated Current amps	RPM									
						0	300	600	900	1200	1500	1800	2400	3000	3600
308	16.5	2100	3600	90	.57	2100	1848	1596	1428	1344	1260	1128	888	720	588

* Rated Current for 90v.

Refer to Section M for torque and heat dissipation curves.

Order Parts for Assembly No. FC308090

	Shaft Mounted Brake	Tapered Bushing (2012)
24 Volts	308090-3	326167-XX
90 Volts	308090-4	326167-XX

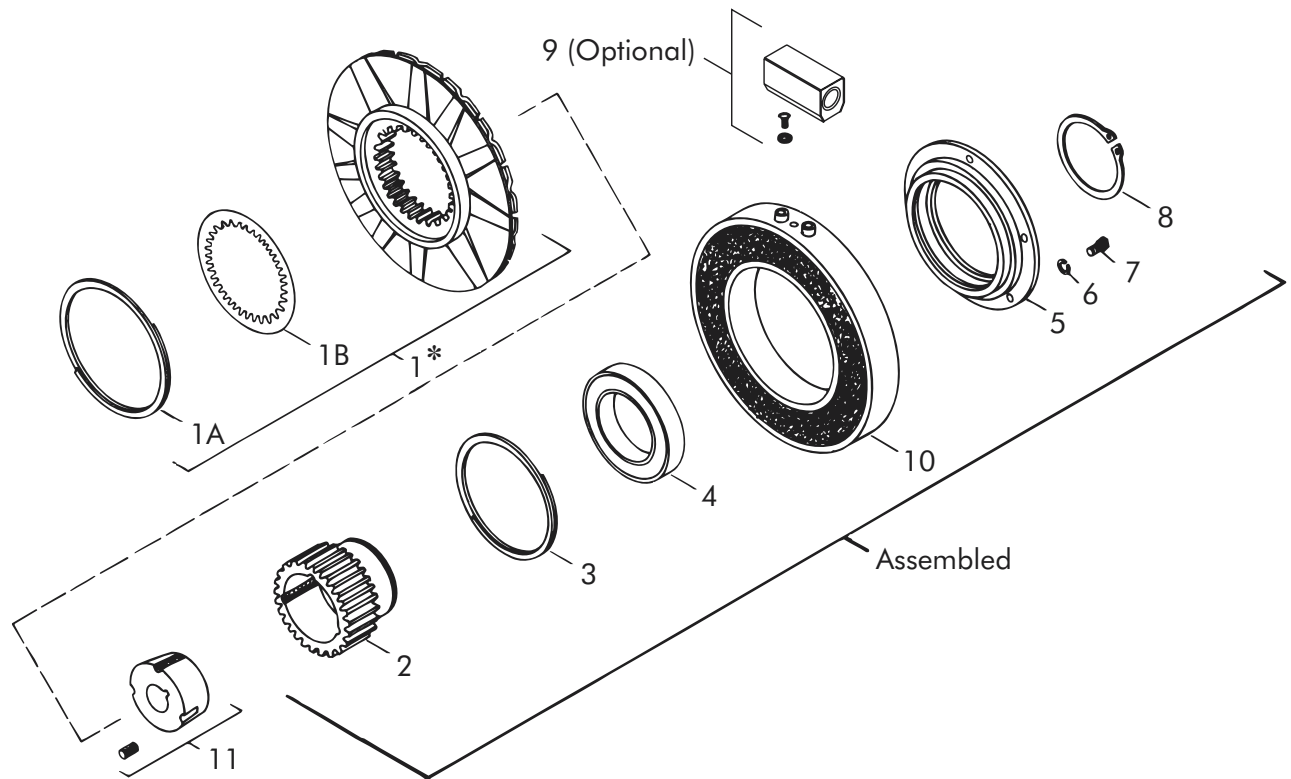
To order, specify: 1, shaft mounted brake of required voltage
1, bushing plus bore size.

For controls, see Section K.

Sold & Serviced By:

 Toll Free Phone (877) SERV098
 Toll Free Fax (877) SERV099
www.electromate.com
sales@electromate.com

Shaft Mounted Brake – Replacement Parts



Replacement Parts

Item	Qty.	Description	Part No.	Item	Qty.	Description	Part No.
1	1	Armature Plate Assembly	308382-4	9	1	Conduit Box (Optional)	326078
1-A	1	Adjustable Gap Spring	326273	10	1	Magnet	
1-B	1	Drag Spring	326276			24 Volts	308373-27
2	1	Splined Hub	308680-3			90 Volts	308374-27
3	1	Retaining Ring (Internal)	RY-20042	11	1	Taper Bushing (2012)	326167-XX
4	1	Bearing	RY-20047	12	1	Torque Arm Kit (Opt.) (not shown)	327047
5	1	Bearing Flange	308752				
6	6	Lock Washer	DY-4366				
7	6	Hex Head Bolt	DY-14764				
8	1	Retaining Ring (External)	RY-20037				

See Page E-12 for information on Torque Arm Kit.

* Current design armatures are solid.

Sold & Serviced By:

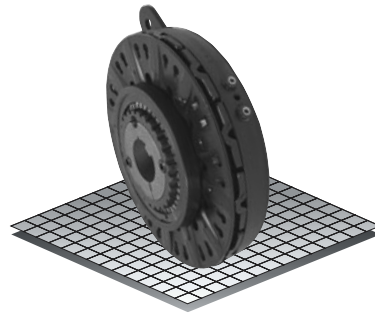
ELECTROMATE

Toll Free Phone (877) SERV098
 Toll Free Fax (877) SERV099
www.electromate.com
sales@electromate.com

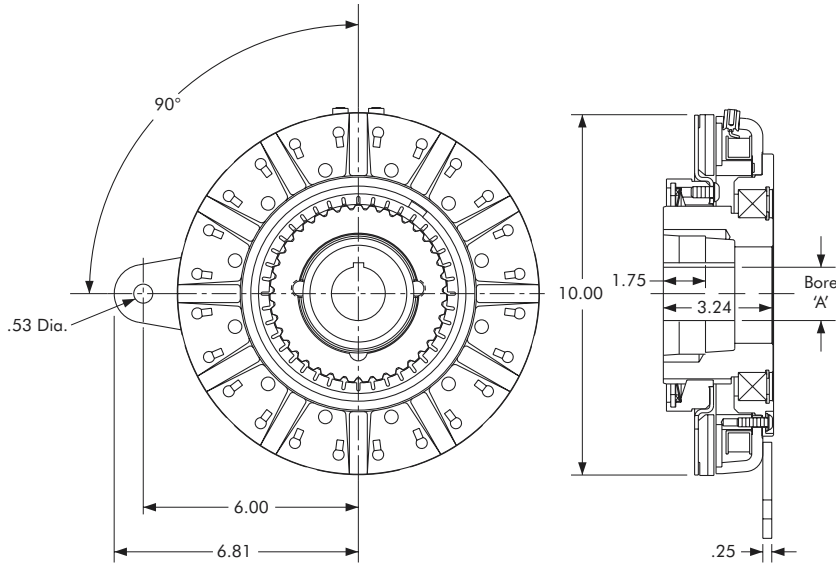
Shaft Mounted Brake

Model

● 310



- ▶ Factory Assembled and Tested
- ▶ Bearing Mounted
- ▶ Spline Drive



Bushing 2517

Bore 'A'		Keyway	Part No.
1/2"	.500	.125 x .062	326039 - 1
9/16"	.562	.125 x .062	326039 - 2
5/8"	.625	.187 x .093	326039 - 3
11/16"	.687	.187 x .093	326039 - 4
3/4"	.750	.187 x .093	326039 - 5
13/16"	.812	.187 x .093	326039 - 6
7/8"	.875	.187 x .093	326039 - 7
15/16"	.937	.250 x .125	326039 - 8
1"	1.000	.250 x .125	326039 - 9
1-1/16"	1.062	.250 x .125	326039 - 10
1-1/8"	1.125	.250 x .125	326039 - 11
1-3/16"	1.187	.250 x .125	326039 - 12
1-1/4"	1.250	.250 x .125	326039 - 13
1-5/16"	1.312	.312 x .156	326039 - 14
1-3/8"	1.375	.312 x .156	326039 - 15
1-7/16"	1.437	.375 x .187	326039 - 16
1-1/2"	1.500	.375 x .187	326039 - 17
1-9/16"	1.562	.375 x .187	326039 - 18
1-5/8"	1.625	.375 x .187	326039 - 19
1-11/16"	1.687	.375 x .187	326039 - 20
1-3/4"	1.750	.375 x .187	326039 - 21
1-13/16"	1.812	.500 x .250	326039 - 22
1-7/8"	1.875	.500 x .250	326039 - 23
1-15/16"	1.937	.500 x .250	326039 - 24
2"	2.000	.500 x .250	326039 - 25
2-1/16"	2.062	.500 x .250	326039 - 26
2-1/8"	2.125	.500 x .250	326039 - 27
2-3/16"	2.187	.500 x .250	326039 - 28
2-1/4"	2.250	.500 x .250	326039 - 29
2-5/16"	2.312	.625 x .187	326039 - 30
2-3/8"	2.375	.625 x .187	326039 - 31
2-7/16"	2.437	.625 x .187	326039 - 32
2-1/2"	2.500	.625 x .187	326039 - 33

Technical Data and Torque (In. Lb.)

Model No.	Wt. Lbs.	Static Torque in. lb.	Max. Speed RPM	Coil Voltage vdc	* Rated Current amps	RPM							
						0	300	600	900	1200	1500	1800	2400
310	25.1	3600	2400	90	.60	3600	3144	2616	2088	1788	1596	1416	1044

* Rated Current for 90v.

Refer to Section M for torque and heat dissipation curves.

Order Parts for Assembly No. FC310090

	Shaft Mounted Brake	Tapered Bushing (2517)
24 Volts	310090-3	326039-XX
90 Volts	310090-4	326039-XX

To order, specify: 1, shaft mounted brake of required voltage
1, bushing plus bore size.

For controls, see Section K.

Sold & Serviced By:

ELECTROMATE

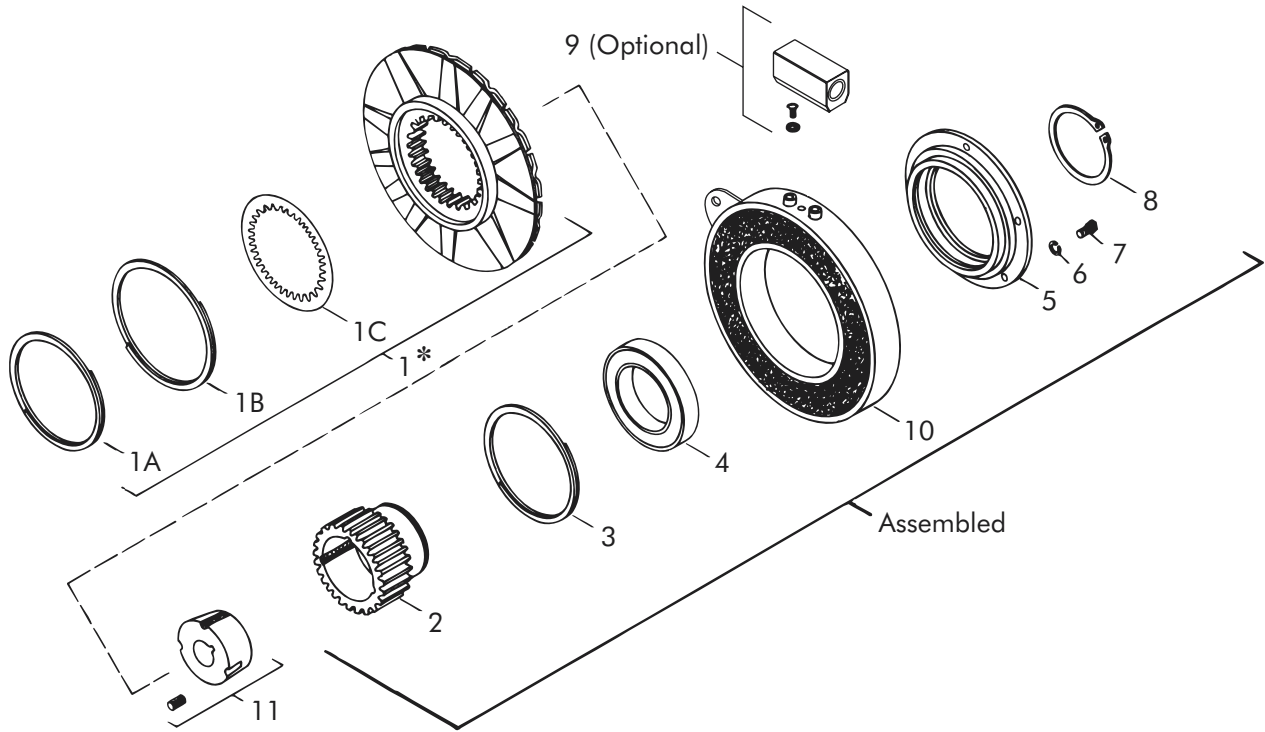
Toll Free Phone (877) SERV098

Toll Free Fax (877) SERV099

www.electromate.com

sales@electromate.com

Shaft Mounted Brake – Replacement Parts



Replacement Parts

Item	Qty.	Description	Part No.	Item	Qty.	Description	Part No.
1	1	Armature Assembly	310383-13	8	1	Retaining Ring (External)	RY-20295
1-A	1	Snap Ring	RY-20317	9	1	Conduit Box (Optional)	326078
1-B	1	Adjustable Gap Spring	326970	B	1	Magnet	
1-C	1	Drag Spring	326277			24 Volts	310373-16
2	1	Splined Hub	310680-5			90 Volts	310374-16
3	1	Retaining Ring (Internal)	RY-20294	10	1	Torque Arm Kit (Opt.) (not shown)	327144
4	1	Bearing	RY-20102	11	1	Taper Bushing	326039-XX
5	1	Bearing Flange	310752-2				
6	6	Lock Washer	DY-4366				
7	6	Button Head Screw	327139				

See Page E-12 for information on Torque Arm Kit.

* Current design armatures are solid.

Sold & Serviced By:

ELECTROMATE

Toll Free Phone (877) SERV098

Toll Free Fax (877) SERV099

www.electromate.com

sales@electromate.com

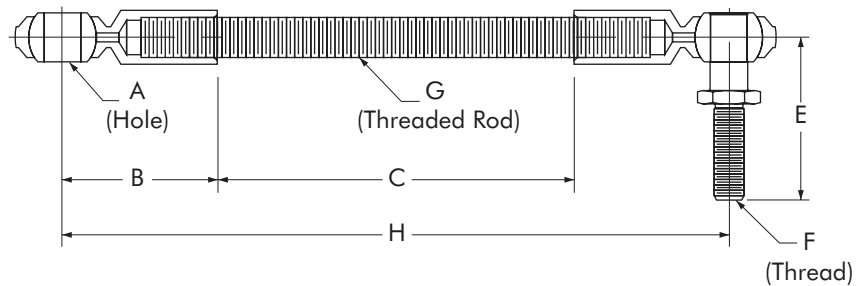
Torque Arm Accessory

Torque arms hold the body of the brake in place. They allow for the brake to be mounted anywhere on the shaft.

To Order:

Select from the following kit numbers.

Model	Kit #
304	327045
305	327046
307	327047
308	327047
310	327144



Dimensions

Model	A ▲	B	C	D	E	F ●	G	H
304	1/4"	1-5/16"	5.33	1-5/16"	1.04	1/4"-28 x 1/2"	1/4"-28	7.95
305	5/16"	1-3/8"	7.19	1-3/8"	1.23	5/16"-24 x 19/32"	5/16"-24	9.94
307	3/8"	1-5/8"	7.56	1-5/8"	1.54	3/8"-24 x 13/16"	3/8"-24	10.86
308	3/8"	1-5/8"	7.56	1-5/8"	1.50	3/8"-24 x 13/16"	3/8"-24	10.86
310	1/2"	2-1/8"	13.56	2-1/8"	2.00	1/2"-20 x 1"	1/2"-20	17.81

▲ Attach to stationary bracket.

● Bolts to brake body, kit includes nut and lock washer.

Installation

1. Cut threaded rod to length, if required.
2. Assemble rod ends to threaded rod.
3. Assemble rod end with male stud through torque tab of brake.
4. Place lock Washer onto threaded section of male stud.
5. Assemble nut onto threaded end of male stud. Tighten securely.
6. Assemble other rod end to your base or supported fixture. Your base or support must be capable of withstanding the force required to stop your drive system. Mount arm in a direction that will not allow the rod to buckle See Detail Below.
7. The brake torque tab should not be restrained in a manner that would preload the bearing.

