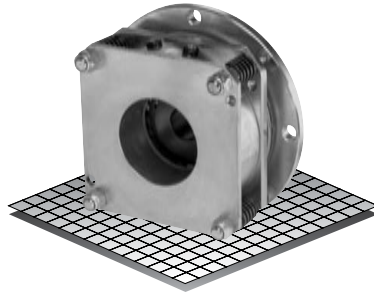


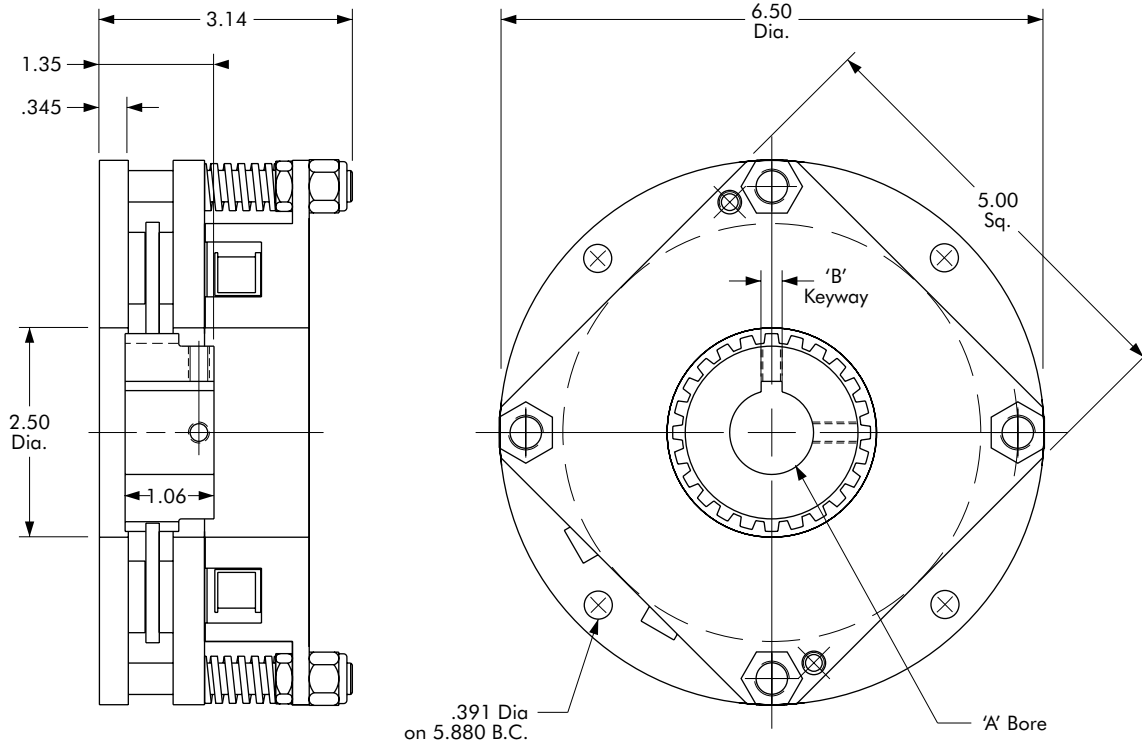
Spring Set Holding Brake

Model

● 305



- ▶ Factory Assembled and Tested
- ▶ Spline Drive



Bore "A"	"B" Keyway
3/4"	.187 x .094
7/8"	.187 x .094
1"	.250 x .125
1-1/4"	.250 x .125

Technical Data

Model No.	Wt. Lbs.	Static Torque in. lb.	Coil Voltage vdc	* Rated Current amps
305	9.75	425	90	.427

* Rated Current for 90v.

Customer must maintain:

1. Concentricity between mounting flange and shaft within .006.
2. Perpendicularity between mounting surface and shaft within .006.

Order Parts for Assembly No. FC305069

Item	Qty.	Description	Model No. 305
A	1	Rotor Hub Assembly 3/4" Plain Bore 3/4" Bore 7/8" Bore 1" Bore 1-1/4" Bore	305454-PB 305453-11 305453-12 305453-13 305453-15
M	1	Spring Set Holding Brake 24 Volts 90 Volts 36 Volts	305070-3 305070-4 305070-5

To order, specify: 1, Spring Set Holding Brake of required voltage
1, Rotor Hub Assembly of required bore size.

For controls, see Section K.

Sold & Serviced By:

ELECTROMATE

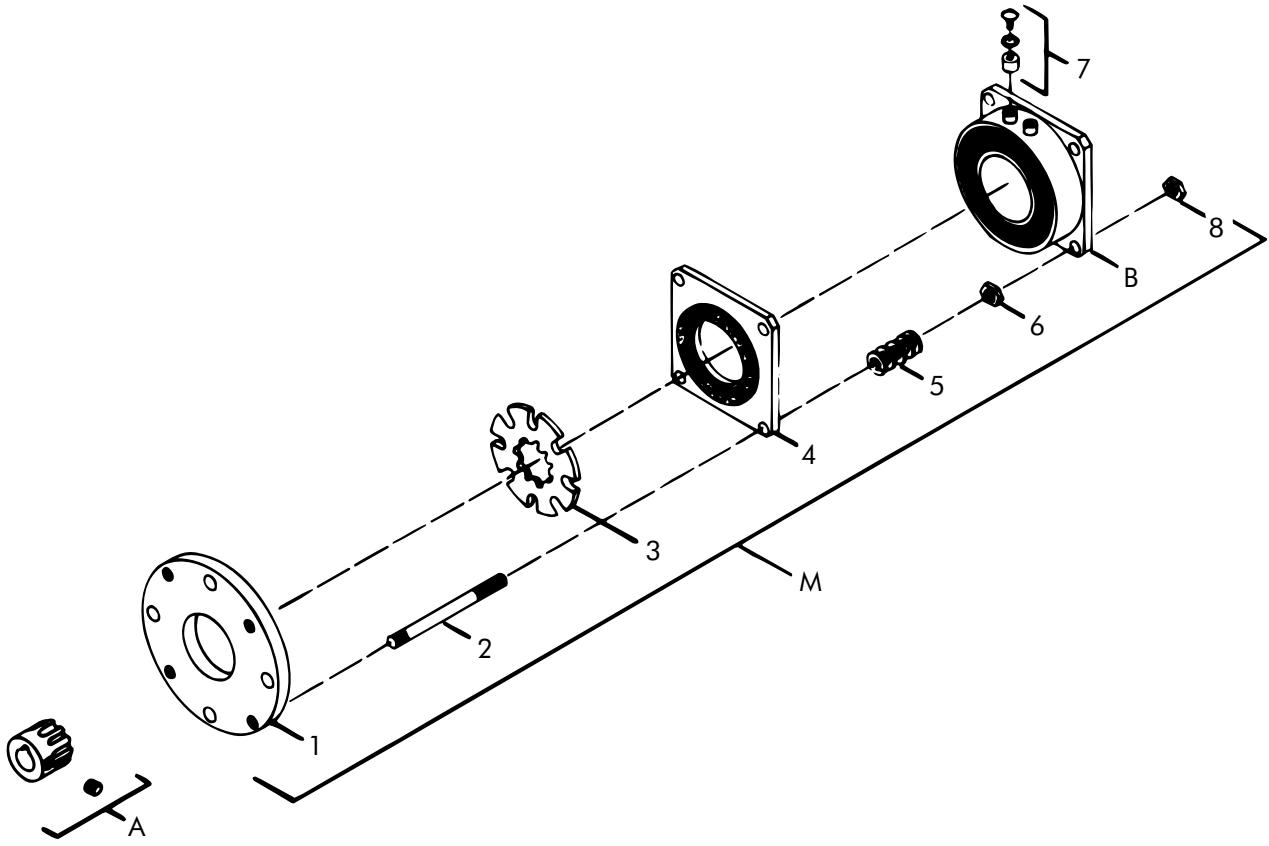
Toll Free Phone (877) SERV098

Toll Free Fax (877) SERV099

www.electromate.com

sales@electromate.com

Spring Set Holding Brake – Replacement Parts



Replacement Parts

Item	Qty.	Description	Model No.
B	1	Field Magnet Assembly 24 Volts 90 Volts 36 Volts	305333-2 305334-2 305335-2
1	1	Back Plate	305810
2	4	Studs	326602
3	1	Rotor (24 Teeth)	305811
4	1	Flapper	305812
5	4	Springs	326795
6	4	Nuts	DY-358
7	1	Accessory Kit	326146
8	4	Nuts	KY-20135


 Sold & Serviced By:
 326146
 KY-20135
 Toll Free Phone (877) SERV098
 Toll Free Fax (877) SERV099
 www.electromate.com
 sales@electromate.com