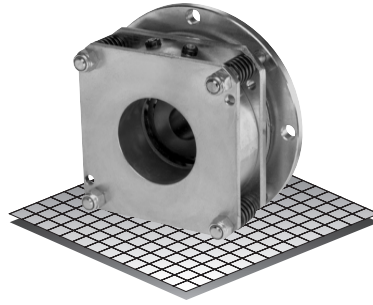


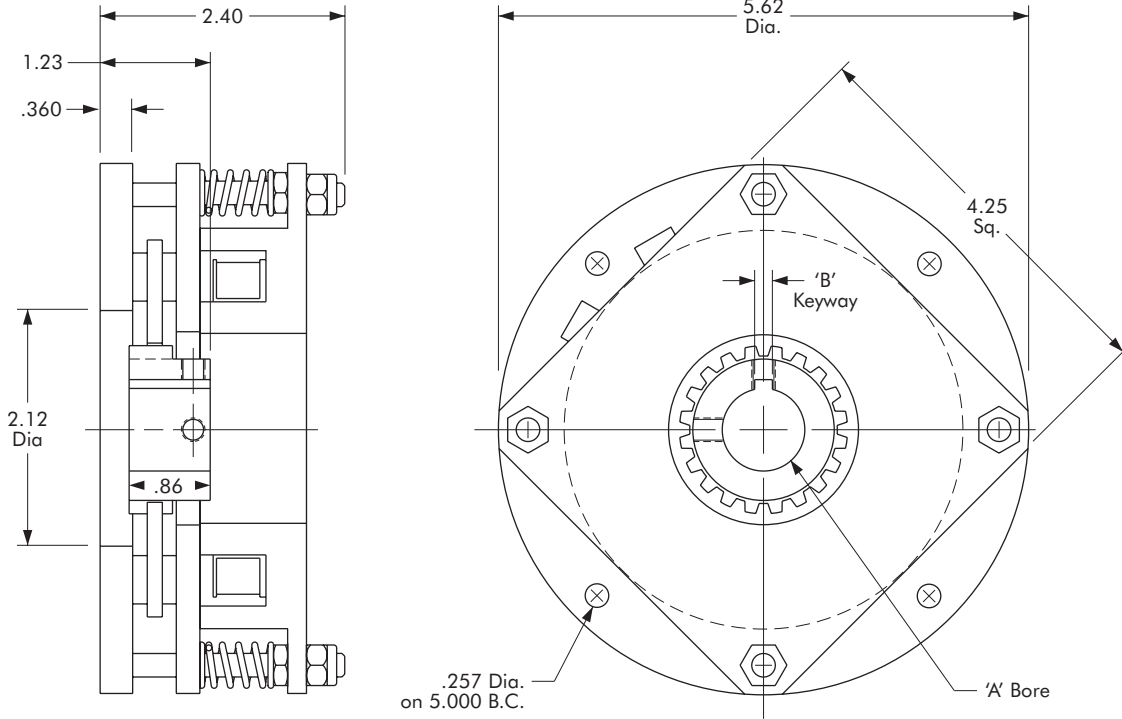
Spring Set Holding Brake

Model

● 304



- ▶ Factory Assembled and Tested
- ▶ Spline Drive



Bore "A"	"B" Keyway
1/2"	None
3/4"	.187 x .094
7/8"	.187 x .094
1"	.250 x .125

Technical Data

Model No.	Wt. Lbs.	Static Torque in. lb.	Coil Voltage vdc	* Rated Current amps
304	6.12	225	90	.17

* Rated Current for 90v.

Customer must maintain:

1. Concentricity between mounting flange and shaft within .006.
2. Perpendicularity between mounting surface and shaft within .006.

Order Parts for Assembly No. FC304069

Item	Qty.	Description	Model No. 304
A	1	Rotor Hub Assembly 1/2" Plain Bore 3/4" Bore 7/8" Bore 1" Bore	304466-PB 304465-9 304465-10 304465-11
M	1	Spring Set Holding Brake 12 Volts 24 Volts 90 Volts	304070-2 304070-3 304070-4

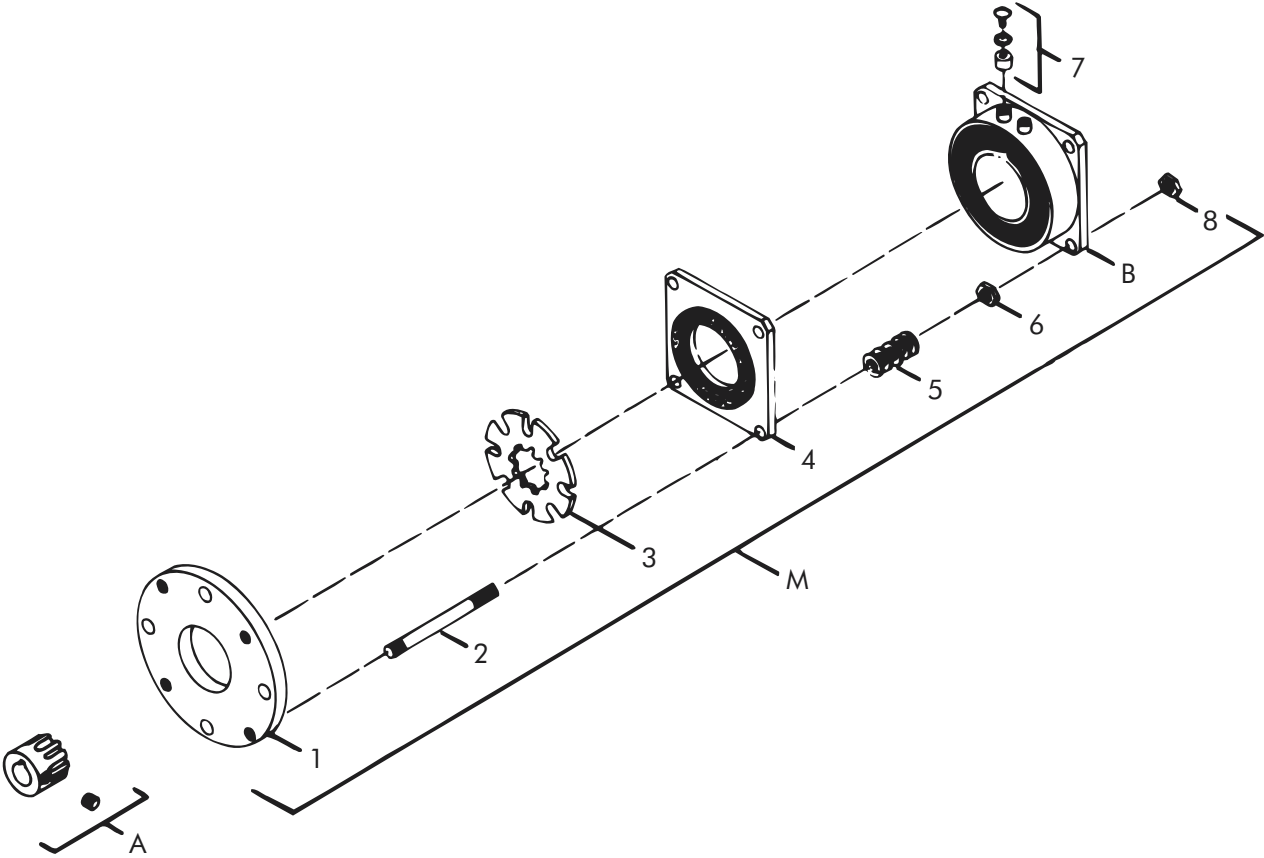
To order, specify: 1, Spring Set Holding Brake of required voltage
1, Rotor Hub Assembly of required bore size.

For controls, see Section K.

Sold & Serviced By:

 Toll Free Phone (877) SERV098
 Toll Free Fax (877) SERV099
www.electromate.com
sales@electromate.com

Spring Set Holding Brake – Replacement Parts



Replacement Parts

Item	Qty.	Description	Model No. 304
B	1	Field Magnet Assembly 12 Volts 24 Volts 90 Volts	304332-7 304333-7 304334-7
1	1	Back Plate	304810
2	4	Studs	326605
3	2	Rotor (20 Teeth)	304811
4	1	Flapper	304812-1
5	4	Springs	RY-20153
6	4	Nuts	DY-10830
7	1	Accessory Kit	326146-2
8	4	Nuts	RY-20157


 Sold & Serviced By:
 326146-2
 RY-20157
 Toll Free Phone (877) SERV098
 Toll Free Fax (877) SERV099
 www.electromate.com
 sales@electromate.com