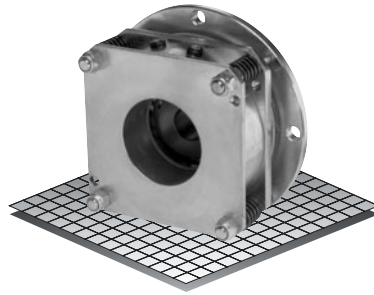


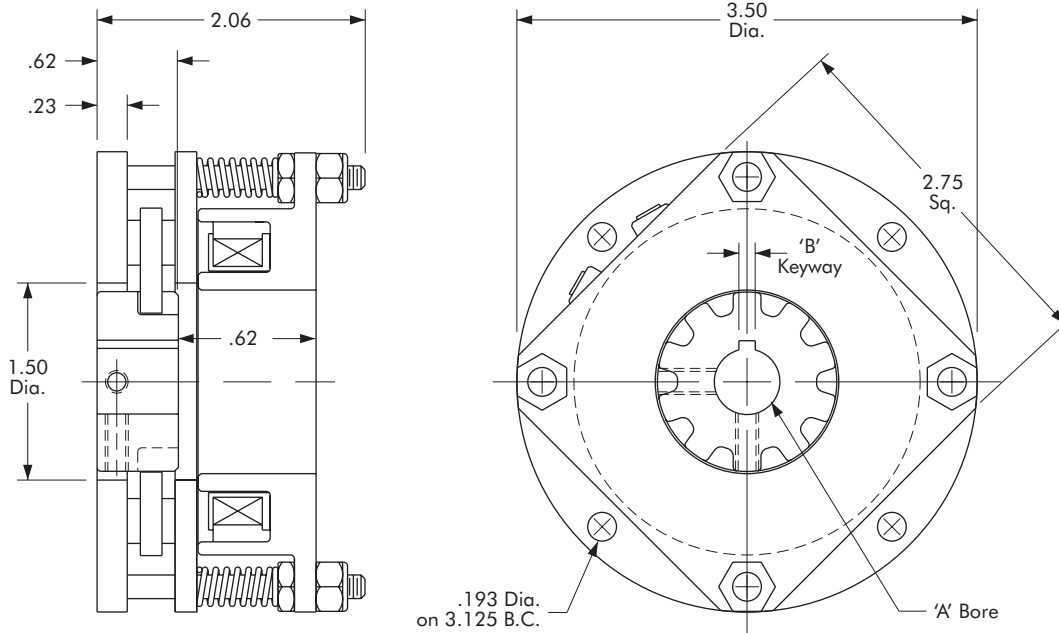
Spring Set Holding Brake

Model

● 303



- ▶ Factory Assembled and Tested
- ▶ Spline Drive



| "A" Bore | "B" Keyway |
|----------|-------------|
| 3/8" | None |
| 1/2" | .125 x .062 |
| 5/8" | .188 x .093 |
| 3/4" | .188 x .093 |

Technical Data

| Model No. | Wt. Lbs. | Static Torque in. lb. | Coil Voltage vdc | * Rated Current amps |
|-----------|----------|-----------------------|------------------|----------------------|
| 303 | 1.8 | 35 | 90 | .157 |

* Rated Current for 90v.

Customer must maintain:

1. Concentricity between mounting flange and shaft within .006.
2. Perpendicularity between mounting surface and shaft within .006.

Order Parts for Assembly No. FC303069

| Item | Qty. | Description | Model No. |
|------|------|--------------------------|-----------|
| | | | 303 |
| A | 1 | Rotor Hub Assembly | |
| | | 3/8" Plain Bore | 303453-PB |
| | | 1/2" Bore | 303451-3 |
| | | 5/8" Bore | 303451-5 |
| | | 3/4" Bore | 303453-8 |
| M | 1 | Spring Set Holding Brake | |
| | | 24 Volts | 303070-3 |
| | | 90 Volts | 303070-4 |

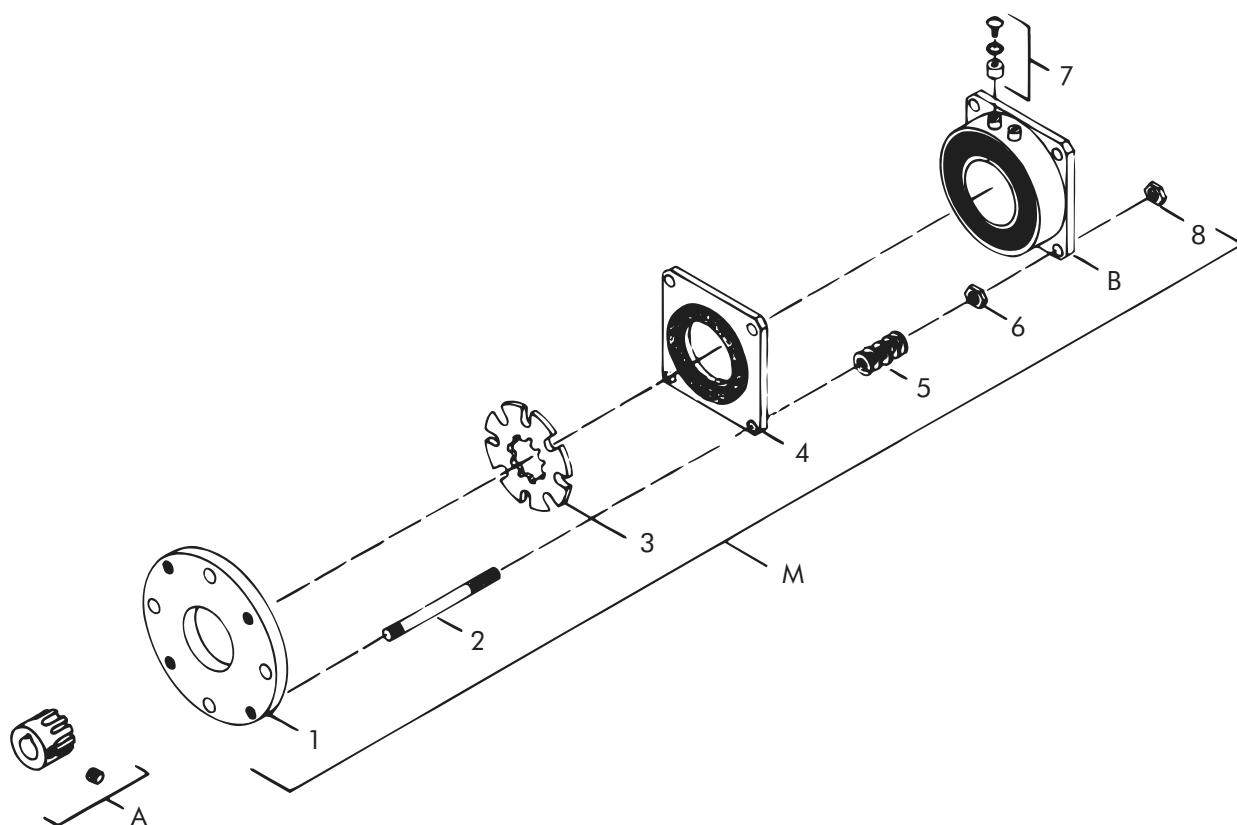
To order, specify: 1, Spring Set Holding Brake of required voltage
1, Rotor Hub Assembly of required bore size.

For controls, see Section K.

Sold & Serviced By:

 Toll Free Phone (877) SERV098
 Toll Free Fax (877) SERV099
www.electromate.com
sales@electromate.com

Spring Set Holding Brake – Replacement Parts



Replacement Parts

| Item | Qty. | Description | Model No. |
|------|------|---------------------------------------|----------------------|
| B | 1 | Coil Assembly 24 Volts 90 Volts | 303333-1 303334-1 |
| 1 | 1 | Back Plate | 303810 |
| 2 | 4 | Stud | 326606 |
| 3 | 1 | Rotor (10 Teeth) | 303811 |
| 4 | 1 | Flapper | 303812-1 |
| 5 | 4 | Springs | RY-20023 |
| 6 | 4 | Nuts | DY-10403 |
| 7 | 1 | Accessory Kit | 3266147 |
| 8 | 4 | Nuts | RY-20139 |