

# Model 310 Clutch Per FC-310010

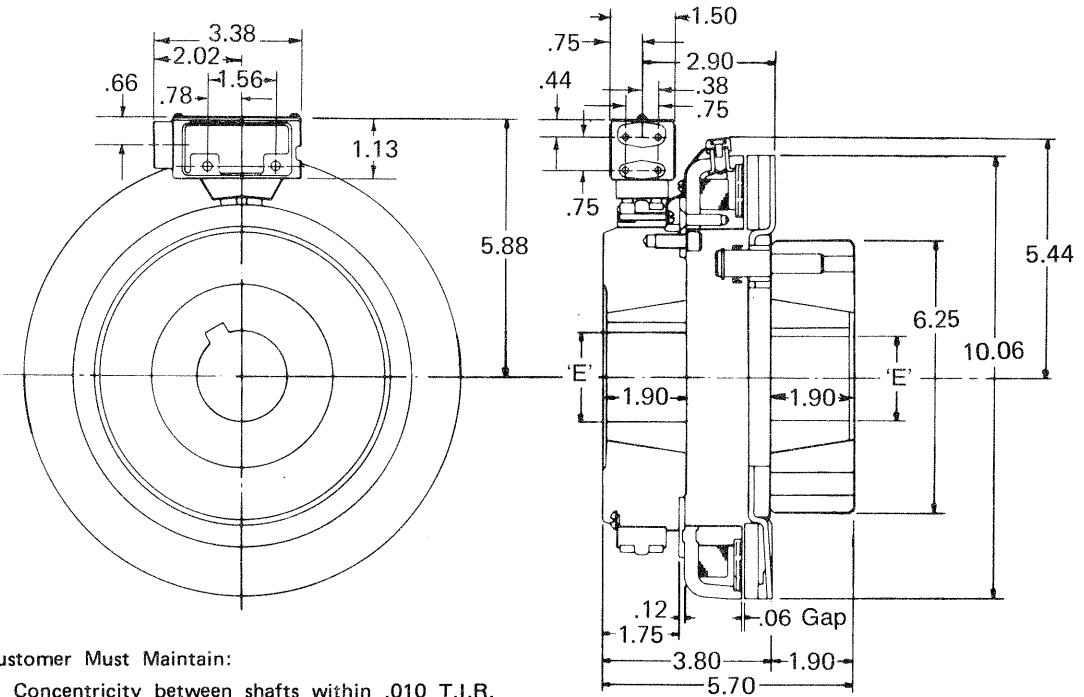
## Model 310 Clutch Coupling Per FC-310012

### Technical Data

Static Torque .....	300 lb. ft.	
Maximum Speed .....	3000 RPM	
Coil Voltage .....	90 vdc	24 vdc
Rated Current .....	.584 amp	2.7 amp

### MODEL 310—Torque at Various RPM Points

RPM	0	300	600	900	1200	1500	1800	2400	3000
Lb. Ft.	300	262	218	174	149	133	118	87	74

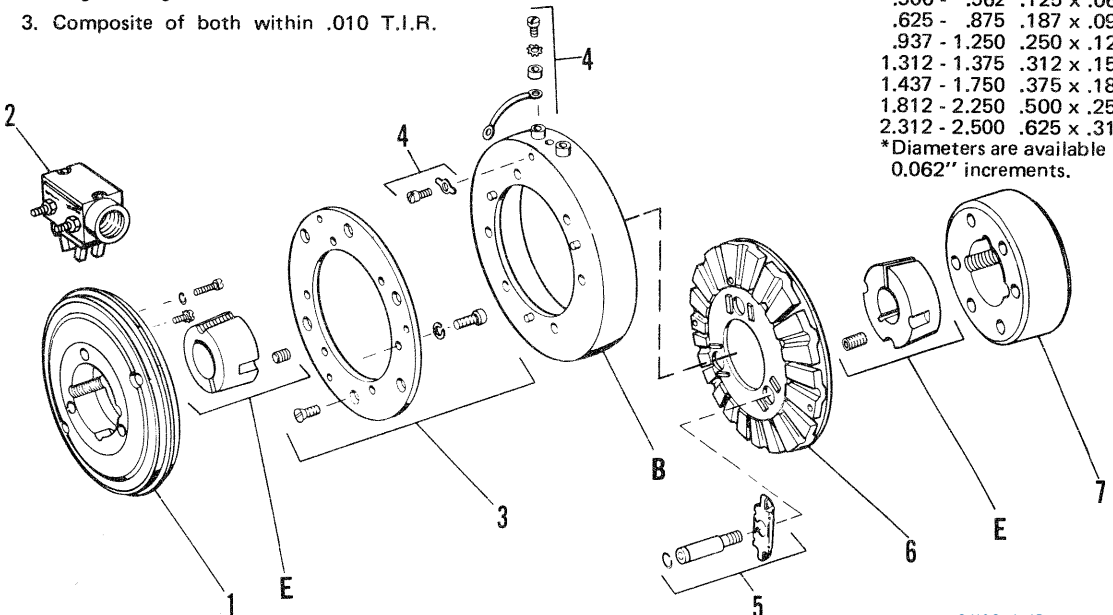


#### Customer Must Maintain:

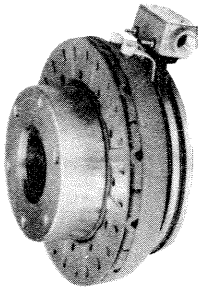
1. Concentricity between shafts within .010 T.I.R.
2. Angular alignment of shafts within .010 T.I.R.
3. Composite of both within .010 T.I.R.

*Bore 'E'	Keyway
.500 - .562	.125 x .062
.625 - .875	.187 x .092
.937 - 1.250	.250 x .125
1.312 - 1.375	.312 x .156
1.437 - 1.750	.375 x .187
1.812 - 2.250	.500 x .250
2.312 - 2.500	.625 x .312

\*Diameters are available in .0062" increments.



**Model 310 Clutch Per FC-310010**  
**Model 310 Clutch Coupling Per FC-310012**



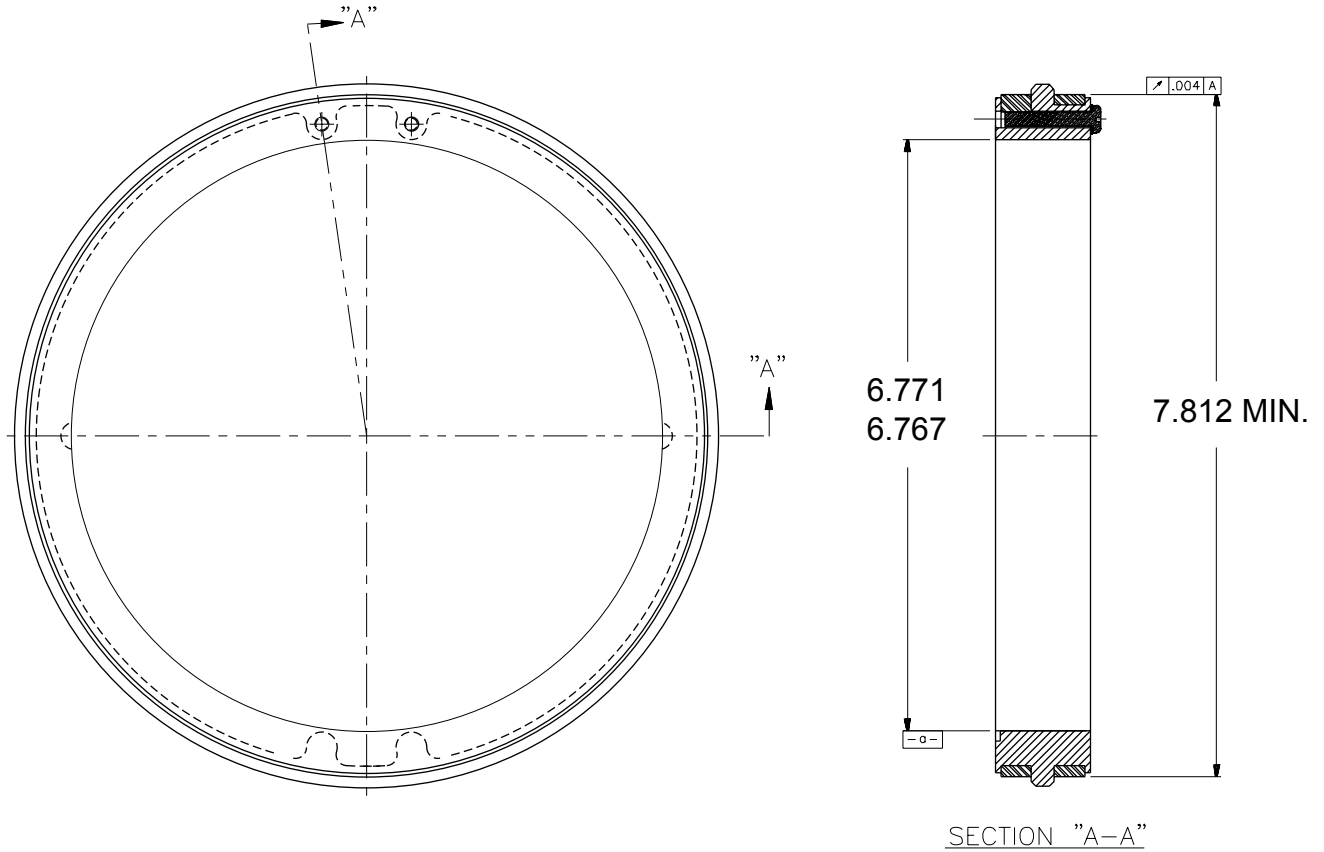
- Rotating Field
- Pin Drive

Item	Qty.	Part No.	Description
<b>Major Parts</b>			
1	1	310461 * 310471 *	Slip Ring & Hub Assembly Right hand Left hand (shown) <b>* Slip Ring 326012 only available see next page for details</b>
2	1	326019 **	Brush Holder Assembly <b>** Replaced by 326958</b> <b>Brushes available for old style see Service Parts</b>
3	1	310481	Mounting Plate w/Accessories Inside mounted
4	1	326136	Clutch Magnet Accessories
5	1	326075	Adjustable Gap Accessories
6	1	310380	Armature Plate Assembly <b>Current Design is solid</b>
7	1	310450	Armature Hub
B	1	310373 310374	Field Magnet Assembly 24 volts 90 volts
E	2	326039	Split Taper Bushing (2517) (See note below)
<b>Service Parts</b>			
2a	4	326023	Brush

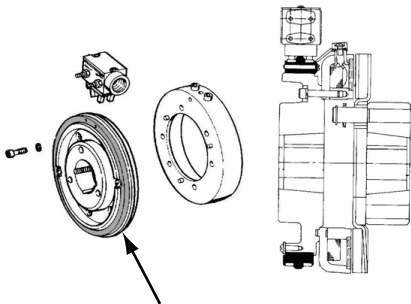
**Note:**

Clutch coupling uses all major parts; clutch uses all but hub (7) and one bushing (E).  
 Data subject to change without notice.

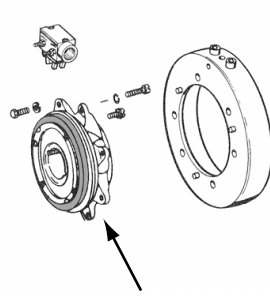
# 326012 Slip Ring



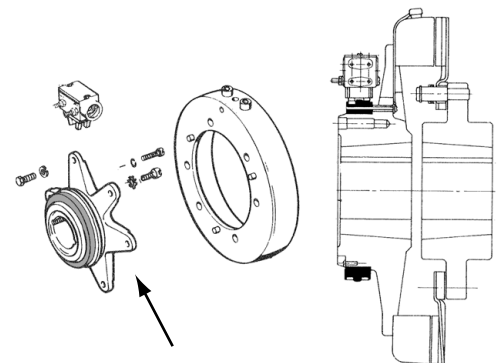
Use 326012 Slip Ring as Service Part for the following:  
308461, 308471, 310461, 310471, 312461, 312471  
315461, and 315471 Slip Ring and Hub Assembly



Slip Ring and Hub  
Models 308 and 310



Slip Ring and Hub  
Model 312



Slip Ring and Hub  
Model 315

Sold & Serviced By:  
**ELECTROMATE**

Toll Free Phone (877) SERV098  
Toll Free Fax (877) 557-098  
www.electromate.com  
sales@electromate.com

326012-INS