

Model 308 Clutch-Brake Coupling Inside Mounted Per FC-308016

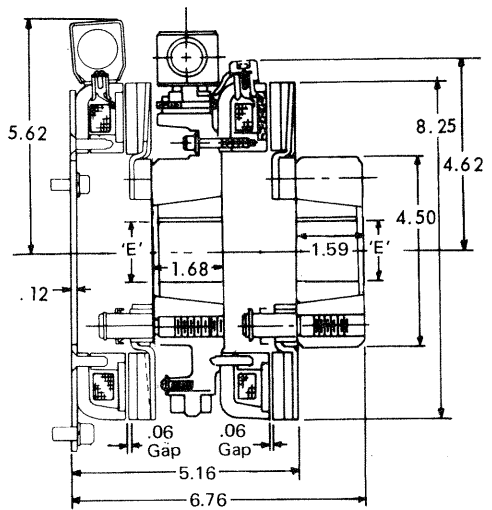
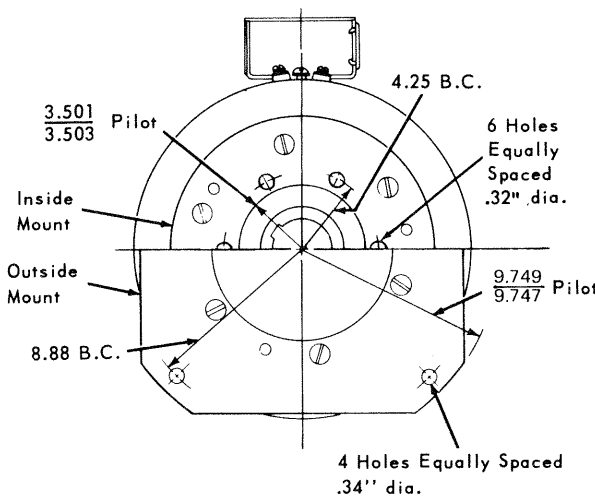
Model 308 Clutch-Brake Coupling Outside Mounted Per FC-308017

Technical Data

Static Torque	175 lb. ft.	
Maximum Speed	3600 RPM	
Coil Voltage	90 vdc	24 vdc
Rated Current59 amp	2.5 amp

MODEL 308—Torque at Various RPM Points

RPM	0	300	600	900	1200	1500	1800	2400	3000	3600
Lb. Ft.	175	154	133	119	112	105	94	74	60	49

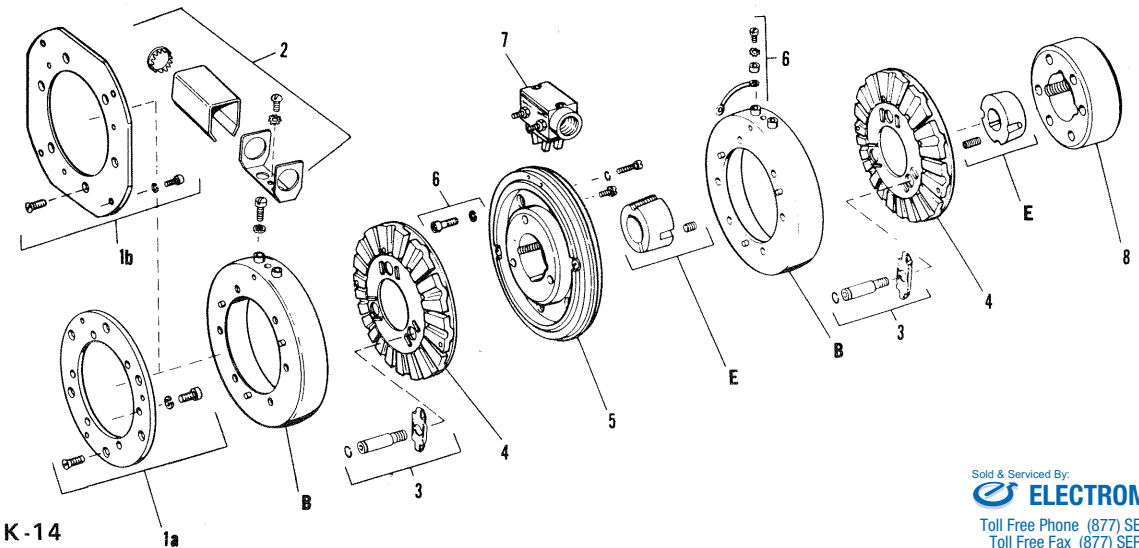


Customer Must Maintain:

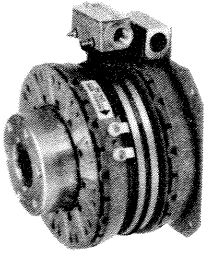
1. Concentricity between shafts within .010 T.I.R.
2. Angular alignment of shafts within .010 T.I.R.
3. Composite of both within .010 T.I.R.

*Bore 'E'	Keyway
.500 - .562	.125 x .062
.625 - .875	.187 x .094
.937 - 1.250	.250 x .125
1.312 - 1.375	.312 x .156
1.437 - 1.500	.375 x .187
1.562 - 1.625	.375 x .187

*Diameters are available in 0.062" increments.



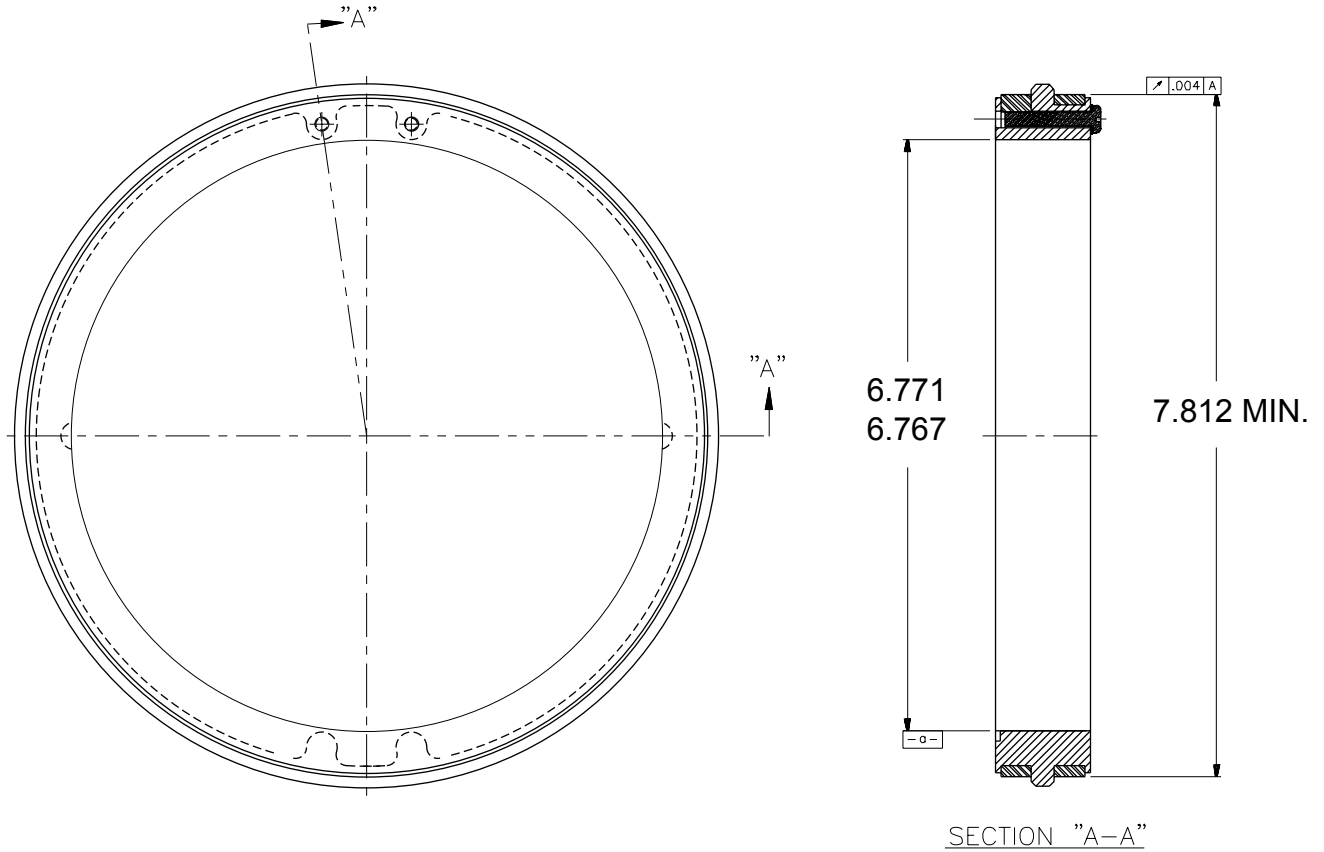
Model 308 Clutch-Brake Coupling Inside Mounted Per FC-308016
Model 308 Clutch-Brake Coupling Outside Mounted Per FC-308017



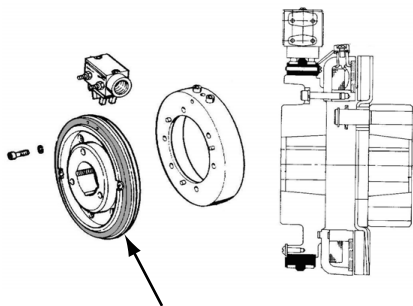
- Rotating Field
- Pin Drive

Item	Qty.	Part No.	Description
Major Parts			
1	1		Mounting Plate w/ Accessories
1a		308481	Inside mounted
1b		308491	Outside mounted
2	1	326078	Brake Magnet Accessories
3	2	326075	Adjustable Gap Accessories
4	2	308380	Armature Plate Assembly Current Design is solid
5	1		Slip Ring & Hub Assembly
		308461 *	Right hand
		308471 *	Left hand (shown)
* Slip Ring 326012 only available see next page for details			
6	1	326076	Clutch Magnet Accessories
7	1	326019**	Brush Holder Assembly
** Replaced by 326958 Brushes available for old style see Service Parts			
8	1	308450	Armature Hub
B	2		Field Magnet Assembly
		308373	24 volts
		308374	90 volts
E	2	326015	Split Taper Bushing (1615) (See note below)
Service Parts			
7a	4	326023	Brush

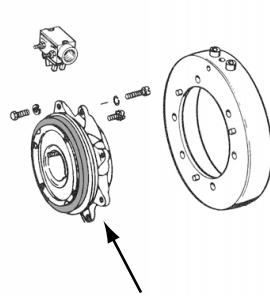
326012 Slip Ring



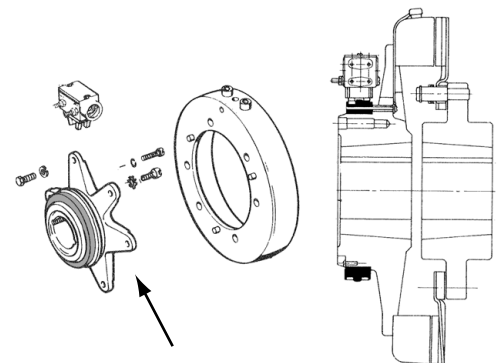
Use 326012 Slip Ring as Service Part for the following:
308461, 308471, 310461, 310471, 312461, 312471
315461, and 315471 Slip Ring and Hub Assembly



Slip Ring and Hub
Models 308 and 310



Slip Ring and Hub
Model 312



Slip Ring and Hub
Model 315

Sold & Serviced By:
ELECTROMATE

Toll Free Phone (877) SERV098
Toll Free Fax (877) 557-098
www.electromate.com
sales@electromate.com

326012-INS