

Model 308 Clutch Per FC-308010

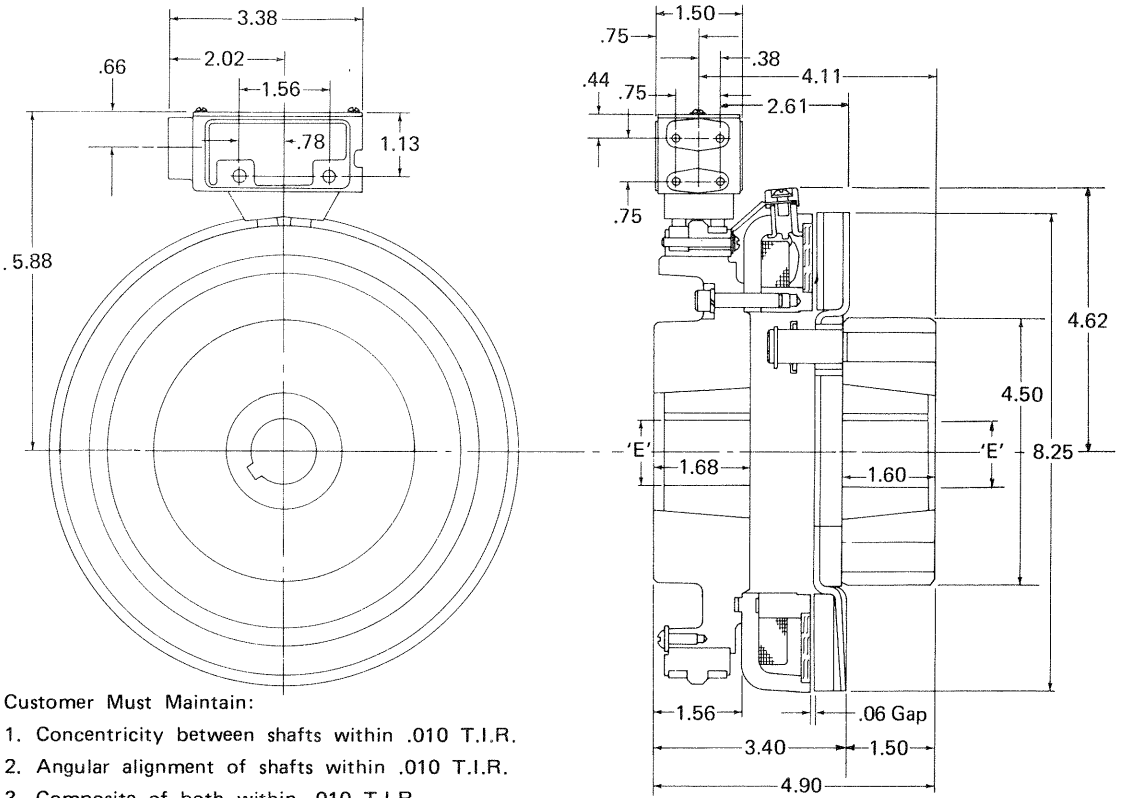
Model 308 Clutch Coupling Per FC-308012

Technical Data

Static Torque	175 lb. ft.	
Maximum Speed	3600 RPM	
Coil Voltage	90 vdc	24 vdc
Rated Current59 amp	2.5 amp

Model 308 Torque at Various RPM Points

RPM	0	300	600	900	1200	1500	1800	2400	3000	3600
Lb. Ft.	175	154	133	119	112	105	94	74	60	49

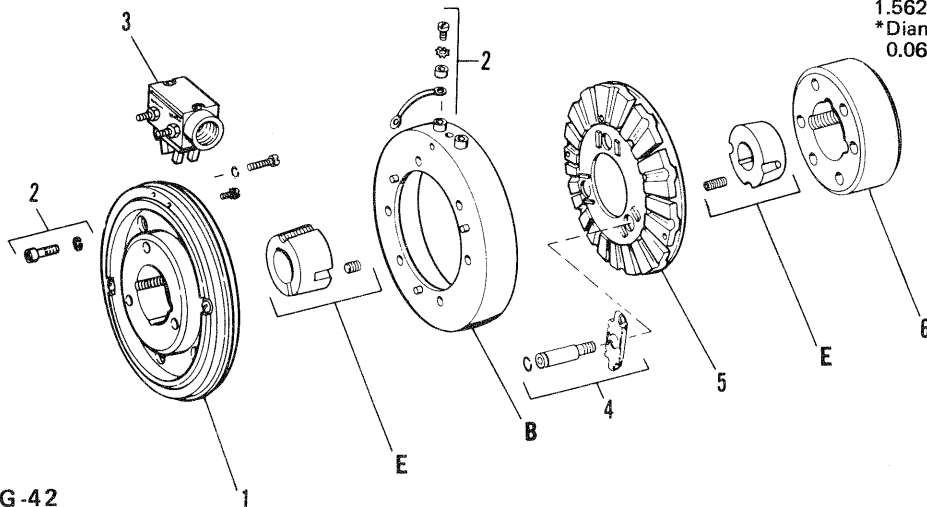


Customer Must Maintain:

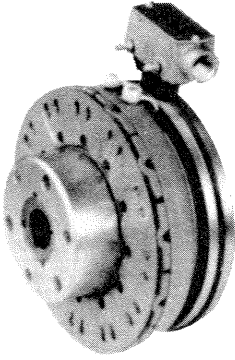
1. Concentricity between shafts within .010 T.I.R.
2. Angular alignment of shafts within .010 T.I.R.
3. Composite of both within .010 T.I.R.

*Bore 'E'	Keyway
.500 - .562	.125 x .062
.625 - .875	.187 x .094
.937 - 1.250	.250 x .125
1.312 - 1.375	.312 x .156
1.437 - 1.500	.375 x .187
1.562 - 1.625	.375 x .187

*Diameters are available in 0.062" increments.



Model 308 Clutch Per FC-308010
 Model 308 Clutch Coupling Per FC-308012



- Rotating Field
- Pin Drive

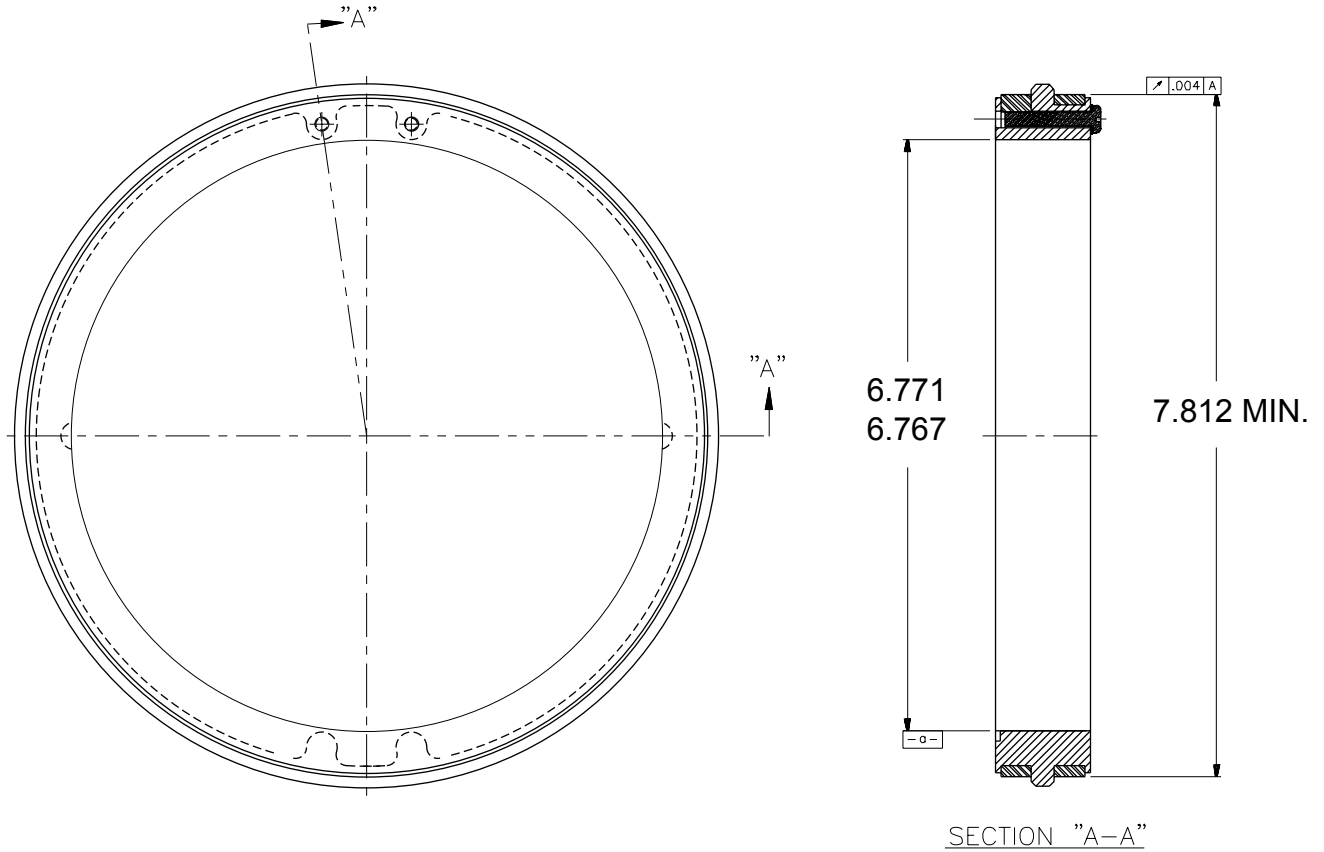
Item	Qty.	Part No.	Description
Major Parts			
1	1	308461 * 308471 *	Slip Ring & Hub Assembly Right hand Left hand (shown) * Slip Ring 326012 only available see next page for details
2	1	326076	Clutch Magnet Accessories
3	1	326019**	Brush Holder Assembly ** Replaced by 326958 Brushes available for old style see Service Parts
4	1	326075	Adjustable Gap Accessories
5	1	308380	Armature Plate Assembly Current Design is solid
6	1	308450	Armature Hub
B	1	308373 308374	Field Magnet Assembly 24 volts 90 volts
E	2	326015	Split Taper Bushing (1615) (See note below)
Service Parts			
3a	4	326023	Brush

Note:

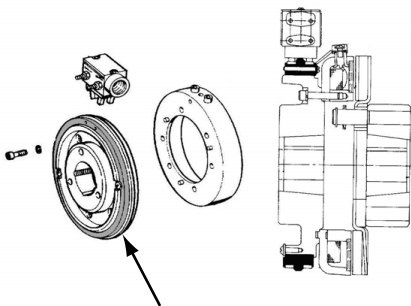
Clutch coupling uses all major parts; clutch uses all but hub (6) and one bushing (E).
 Data subject to change without notice.

G-43

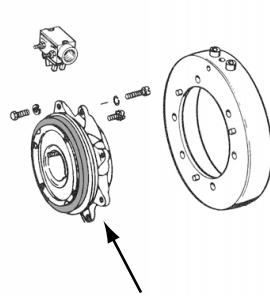
326012 Slip Ring



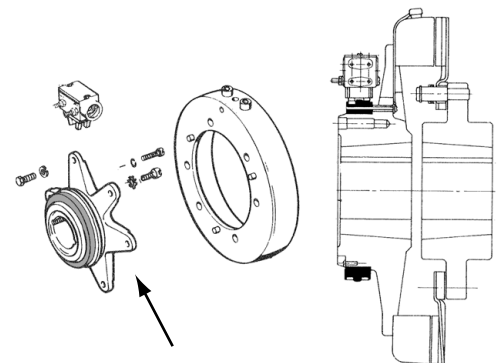
Use 326012 Slip Ring as Service Part for the following:
308461, 308471, 310461, 310471, 312461, 312471
315461, and 315471 Slip Ring and Hub Assembly



Slip Ring and Hub
Models 308 and 310



Slip Ring and Hub
Model 312



Slip Ring and Hub
Model 315

Sold & Serviced By:
ELECTROMATE

Toll Free Phone (877) SERV098
Toll Free Fax (877) 557-098
www.electromate.com
sales@electromate.com

326012-INS