

Model 305 Clutch Per FC-305010

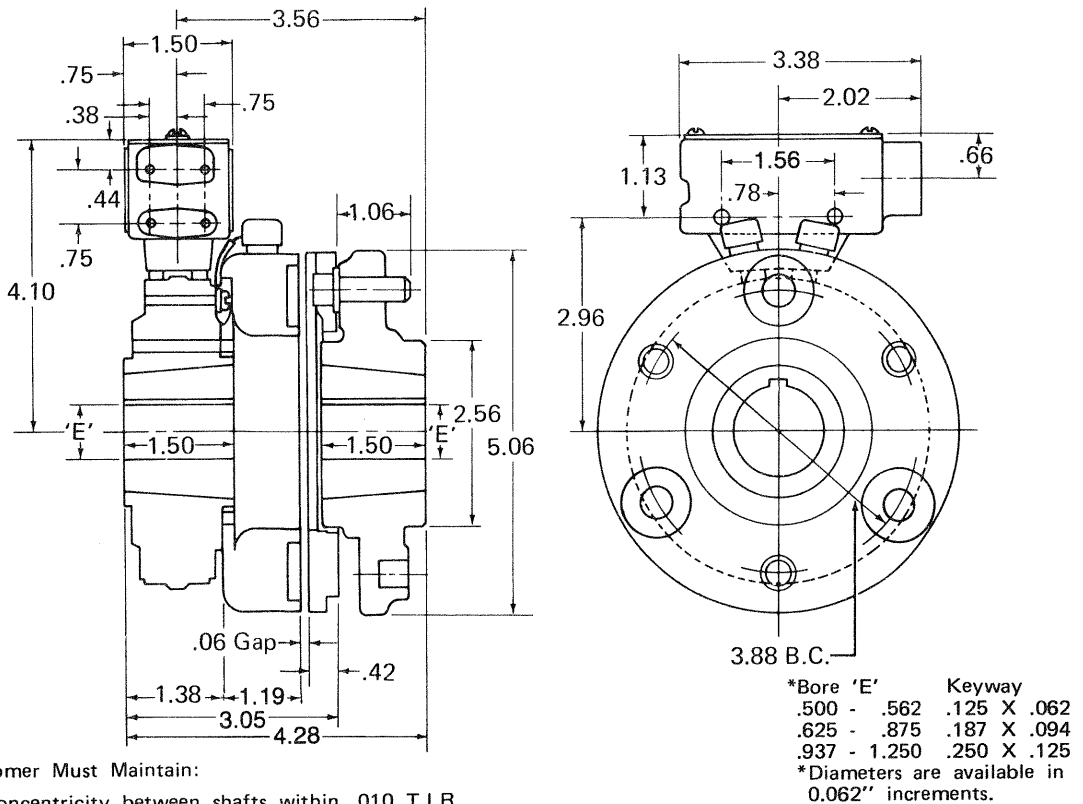
Model 305 Clutch Coupling Per FC-305012

Technical Data

Static Torque	57 lb. ft.	
Maximum Speed	4000 RPM	
Coil Voltage	90 vdc	24 vdc
Rated Current	.409 amp	1.6 amp

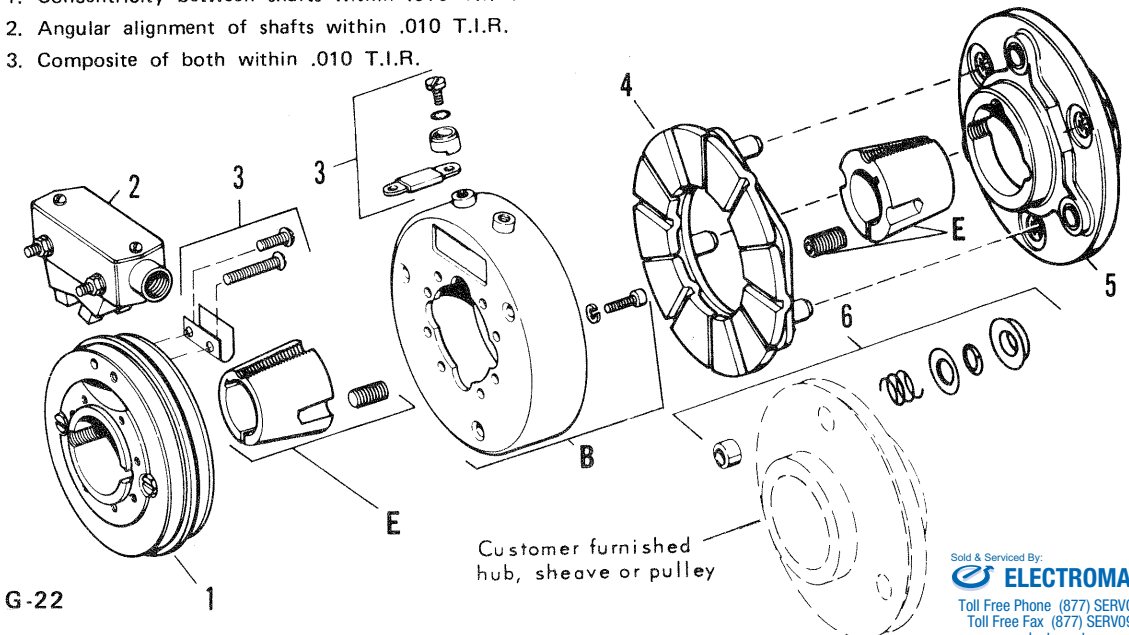
Model 305 - Torque at Various RPM Points

RPM	0	300	600	900	1200	1500	1800	2400	3000	3600	4000
Lb. Ft.	57	52	47	43	39	35	32	27	24	21	20

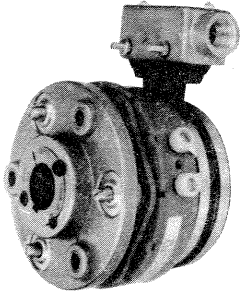


Customer Must Maintain:

1. Concentricity between shafts within .010 T.I.R.
2. Angular alignment of shafts within .010 T.I.R.
3. Composite of both within .010 T.I.R.



Model 305 Clutch Per FC-305010
Model 305 Clutch Coupling Per FC-305012



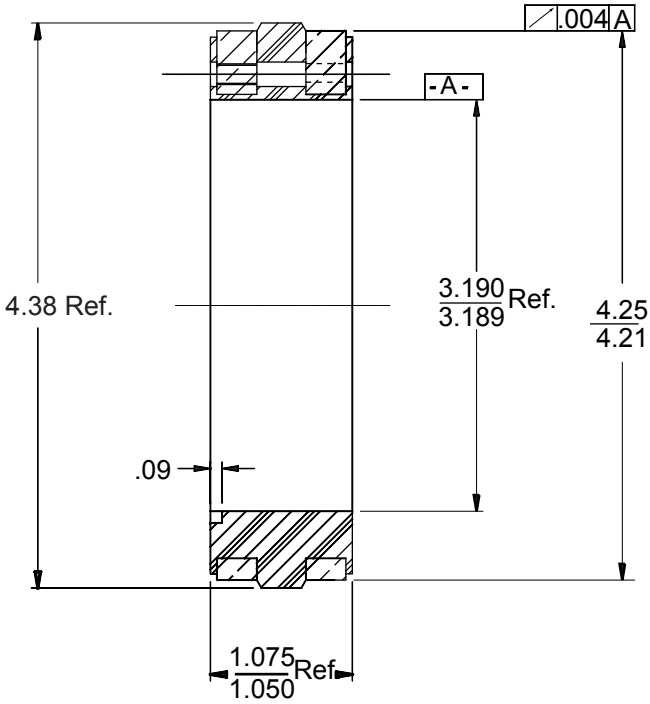
- Rotating Field
- Pin Drive

Item	Qty.	Part No.	Description
Major Parts			
1	1	305461-1 *	Slip Ring & Hub Assembly * Slip Ring 326054-1 only available see next page for details
2	1	326019 **	Brush Holder Assembly ** Replaced by 326958 Brushes available for old style see Service Parts
3	1	326144	Clutch Magnet Accessories
4	1	305381	Armature Plate Assembly Current design is solid
5	1	305450	Armature Hub Assembly
B	1	305343 305344	Field Magnet Assembly 24 volts, inside mounted 90 volts, inside mounted
E	2	326058	Split Taper Bushing (1215) (See note below)
Optional Parts			
6	1	326433	Adjustable Gap Accessory Package
Service Parts			
2a	4	326023	Brush

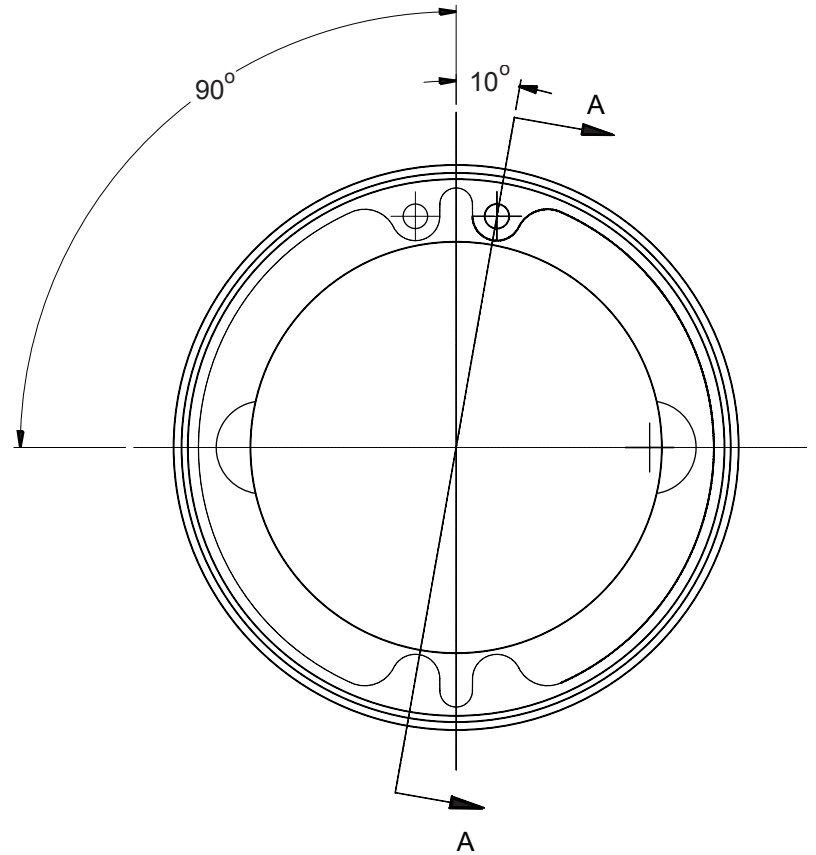
Note:

Clutch coupling uses all major parts; clutch uses all but hub (5) and one bushing (E).
 Data subject to change without notice.

326054-1 Slip Ring



SECTION A-A



Use 326054-1 Slip Ring as Service Part
for 305461-1 Slip Ring and Hub Assembly

