

# Model 305 Clutch-Brake Coupling Inside Mounted Per FC-305016

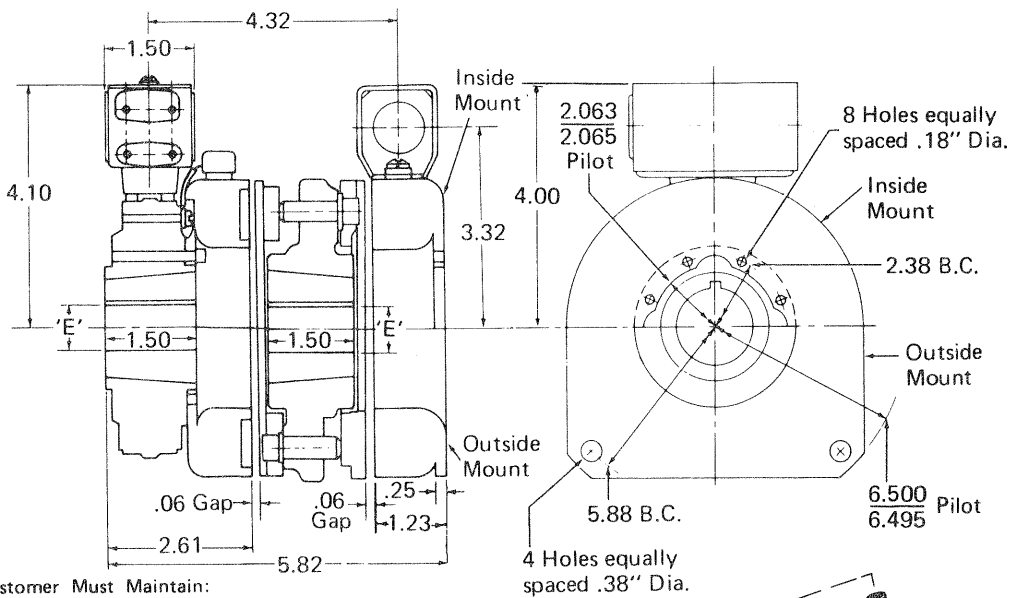
# Model 305 Clutch-Brake Coupling Outside Mounted Per FC-305017

## Technical Data

Static Torque . . . . .	57 lb. ft.	
Maximum Speed . . . . .	4000 RPM	
Coil Voltage . . . . .	90 vdc	24 vdc
Rated Current . . . . .	.409 amp	1.6 amp

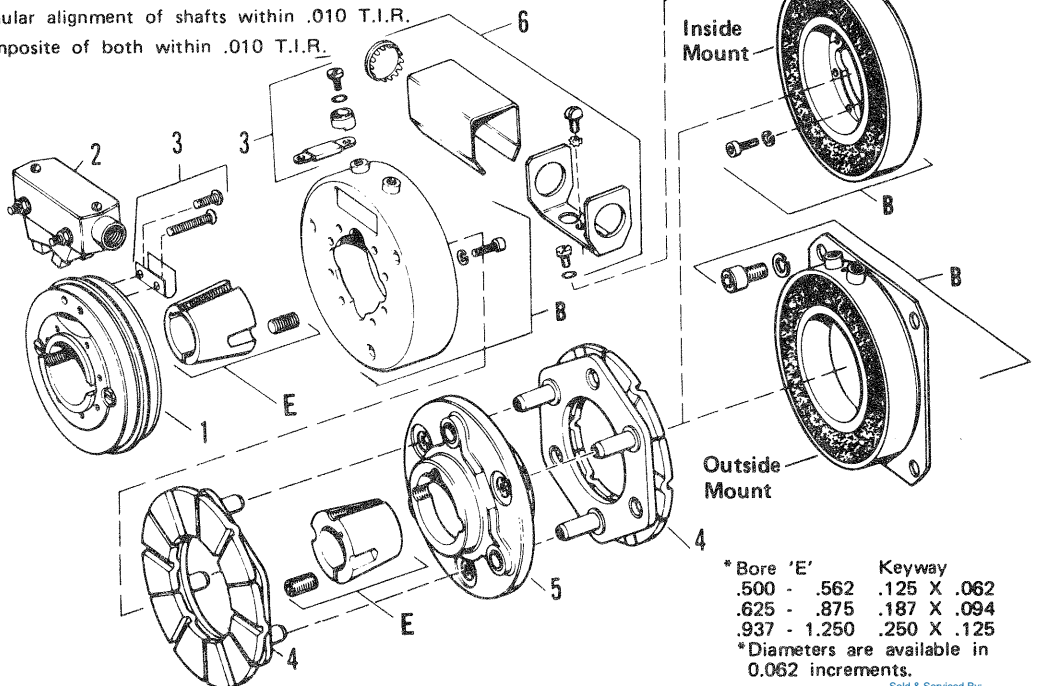
## Model 305 - Torque at Various RPM Points – Clutch & Brake

RPM	0	300	600	900	1200	1500	1800	2400	3000	3600	4000
Lb. Ft.	57	52	47	43	39	35	32	27	24	21	20



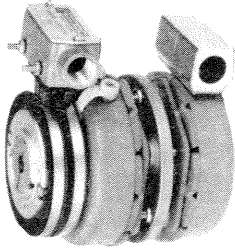
### Customer Must Maintain:

1. Concentricity between shafts within .010 T.I.R.
2. Angular alignment of shafts within .010 T.I.R.
3. Composite of both within .010 T.I.R.



* Bore 'E'	Keyway
.500 - .562	.125 X .062
.625 - .875	.187 X .094
.937 - 1.250	.250 X .125
*Diameters are available in 0.062 increments.	

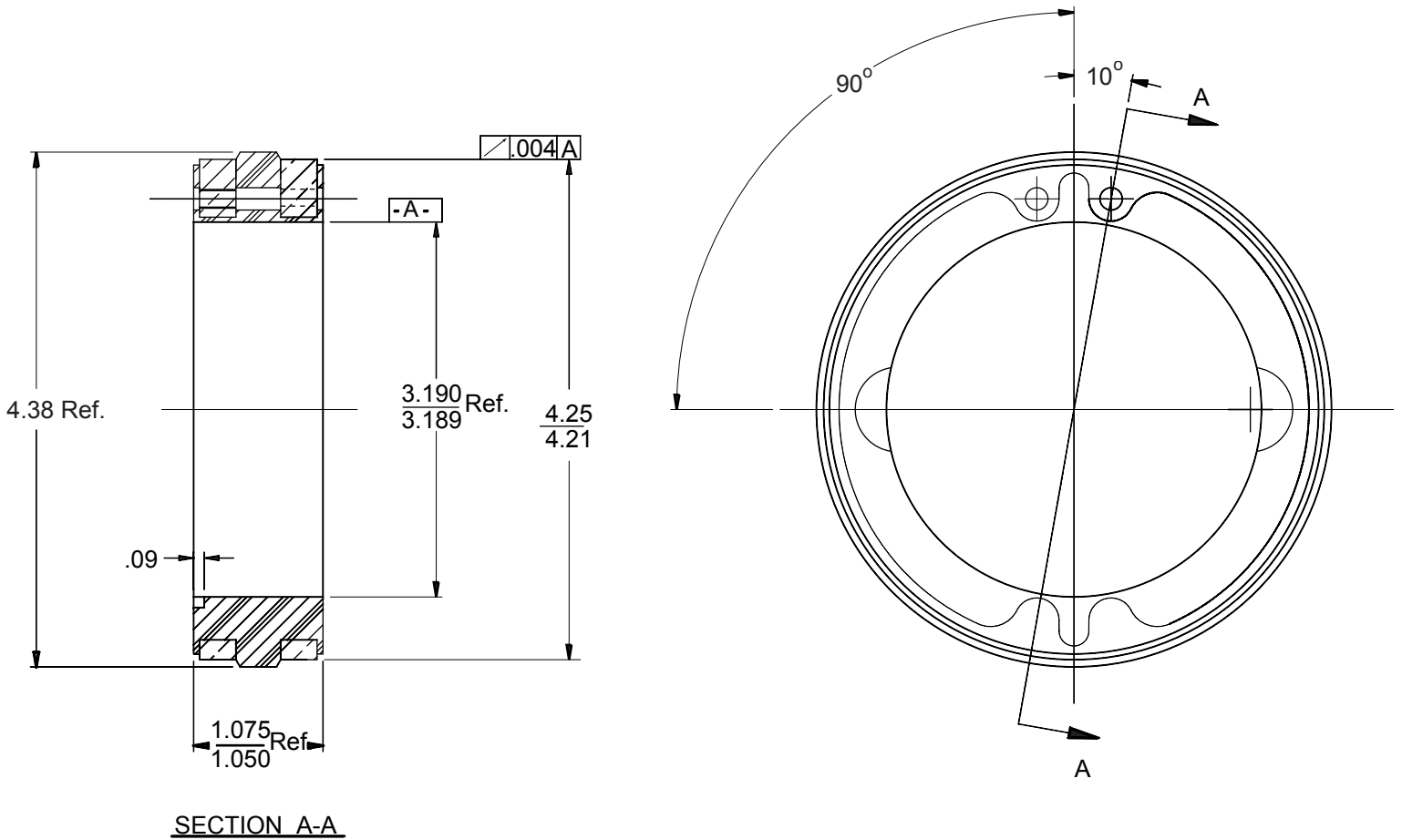
**Model 305 Clutch-Brake Coupling Inside Mounted Per FC-305016**  
**Model 305 Clutch-Brake Coupling Outside Mounted Per FC-305017**



- Rotating Field
- Pin Drive

Item	Qty.	Part No.	Description
<b>Major Parts</b>			
1	1	305461-1 *	Slip Ring & Hub Assembly * Slip Ring 326054-1 only available see next page for details
2	1	326019 **	Brush Holder Assembly ** Replaced by 326958 Brushes available for old style see Service Parts
3	1	326144	Clutch Magnet Accessories
4	2	305381	Armature Plate Assembly Current design is solid
5	1	305450	Armature Hub Assembly
6	1	326143	Brake Magnet Accessories
B	1	305343 305344	Field Magnet Assembly (Clutch) 24 volts, inside mounted 90 volts, inside mounted
B	1	305343 305344	Field Magnet Assembly (Brake) 24 volts, inside mounted 90 volts, inside mounted
		305353 305354	Field Magnet Assembly (Brake) 24 volts, outside mounted 90 volts, outside mounted
E	2	326058	Split Taper Bushing (1215) (See note below)
<b>Service Parts</b>			
2a	4	326023	Brush

# 326054-1 Slip Ring



Use 326054-1 Slip Ring as Service Part  
for 305461-1 Slip Ring and Hub Assembly

