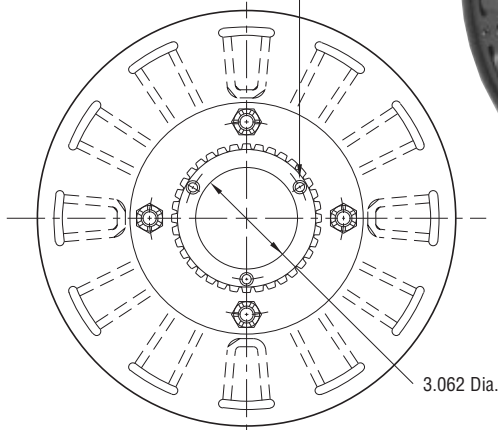


Clutch/Brake

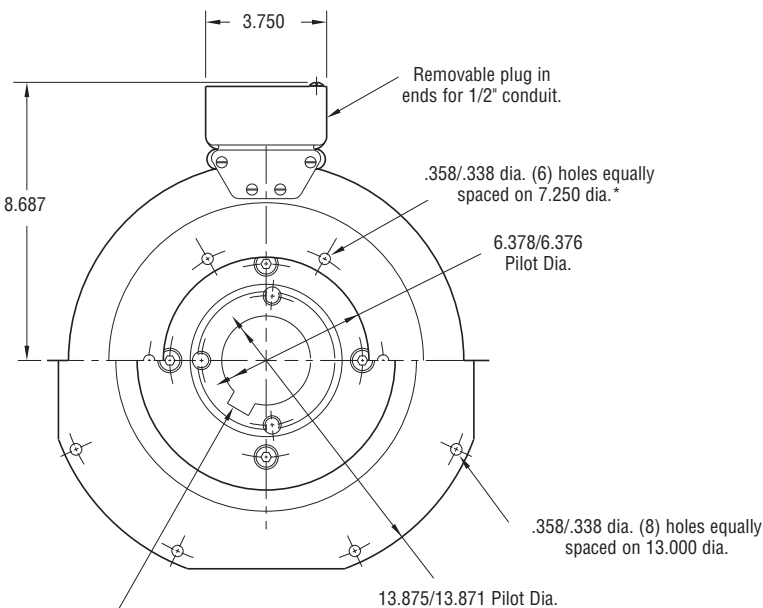
PCB-1225 Heavy Duty



(.397/.388) dia. (8) holes (hub) equally spaced on (3.625) dia. and within .003 of true position in relation to (4.313/4.311) pilot dia.



ARMATURE VIEW

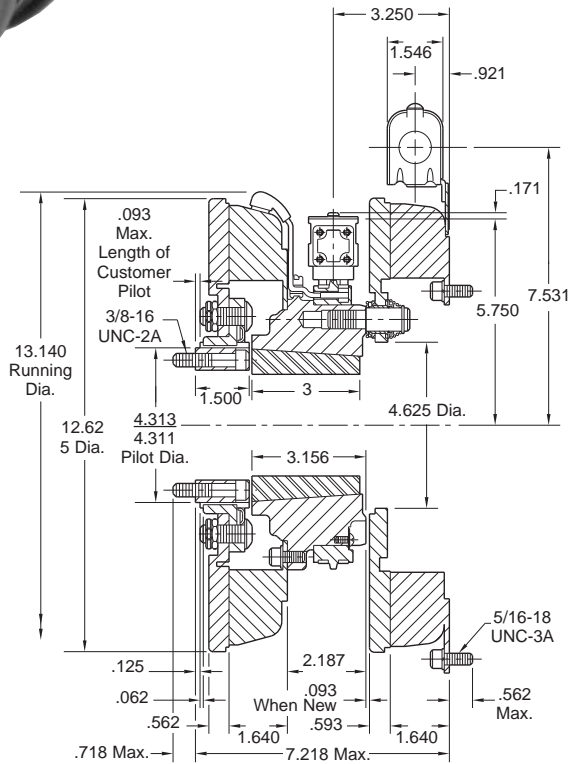


See page 252 for details on Bushings.

**MAGNET VIEW
(Inside & Outside Mounted)**

Customer Shall Maintain:

1. Concentricity of brake magnet mounting pilot diameter with mounting shaft within .010 T.I.R.
2. Squareness of brake magnet mounting face with magnet mounting shaft within .006 T.I.R.
3. Splined hub pilot diameter to be concentric with splined armature center of rotation within .010 T.I.R.



* Mounting holes are within .010 of true position relative to pilot diameter.

| | |
|------------------|----------------|
| Shaft Size | .937 – 3.000 |
| Static Torque | 465 lb. ft. |
| Maximum Speed | 3,000 rpm |
| Standard Voltage | D.C. 6, 24, 90 |

All dimensions are nominal unless otherwise noted.

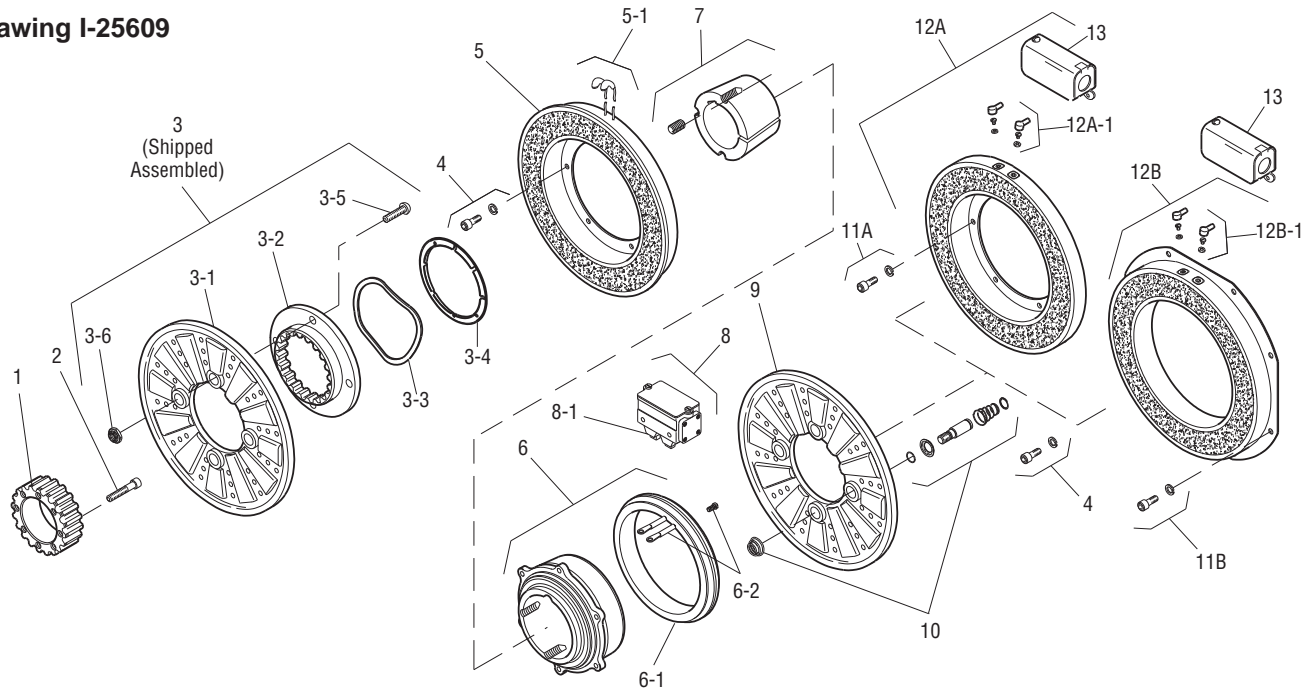
Information on inertia and weights begins on page 239. Coil data is on pages 250 and 251.

Sold & Serviced By:

ELECTROMATE

Toll Free Phone (877) SERV098
Toll Free Fax (877) SERV099
www.electromate.com
sales@electromate.com

Drawing I-25609



| Item | Description | Part Number | Qty. |
|------|--------------------------|----------------------|------|
| 1 | Splined Hub | 540-0148 | 1 |
| 2 | Mounting Accessory | 5202-101-001 | 1 |
| 3 | Armature Assembly | 5323-111-001 | 1 |
| 3-1 | Armature | 5323-111-034 | 1 |
| 3-2 | Armature Adapter | 104-0010 | 1 |
| 3-3 | Autogap Spring | 808-0044 | 1 |
| 3-4 | Retainer Ring | 748-0370 | 1 |
| 3-5 | Buttonhead Screw | 797-0281 | 3 |
| 3-6 | Locknut | 661-0005 | 3 |
| 4 | Mounting Accessory | 5321-101-001 | 1 |
| 5 | Magnet | | 1 |
| | 6 Volt | 5303-631-005 | |
| | 24 Volt | 5303-631-007 | |
| | 90 Volt | 5303-631-008 | |
| 5-1 | Terminal Accessory | 5311-101-001 | 1 |
| 6 | Magnet Hub | | 1 |
| | Right Hand | 5303-541-002 | |
| | Left Hand (shown) | 5303-541-001 | |
| 6-1 | Collector Ring | 5301-749-001 | 1 |
| 6-2 | Collector Ring Accessory | 5303-101-004 | 1 |
| 7 | Bushing* | 180-0262 to 180-0295 | 1 |
| 8 | Brushholder | 5300-178-001 | 1 |
| 8-1 | Brush | 176-0001 | 4 |
| 9 | Armature | 5303-111-009 | 1 |
| 10 | Autogap Accessory | 5201-101-008 | 4 |
| 11A | Mounting Accessory | | |
| | Inside Mounted | 5321-101-001 | 1 |
| 11B | Mounting Accessory | | |
| | Outside Mounted | 5321-101-002 | 2 |

| Item | Description | Part Number | Qty. |
|-------|--------------------------|--------------|------|
| 12A | Magnet - Inside Mounted | | 1 |
| | 6 Volt | 5313-631-005 | |
| | 24 Volt | 5313-631-006 | |
| | 90 Volt | 5313-631-007 | |
| 12A-1 | Terminal Accessory | 5311-101-001 | 1 |
| 12B | Magnet - Outside Mounted | | 1 |
| | 6 Volt | 5313-631-010 | |
| | 24 Volt | 5313-631-012 | |
| | 90 Volt | 5313-631-011 | |
| 12B-1 | Terminal Accessory | 5311-101-001 | 1 |
| 13 | Conduit Box | 5200-101-010 | 1 |

How to Order:

1. Specify Voltage for Item 5 and Item 12A or 12B.
2. Specify left hand or right hand hub for Item 6. Bushing enters from magnet side for L.H. hub and from hub side for R.H.
3. Specify Bore Size for Item 7.
4. Specify Inside Mounted for Items 11A and 12A or Outside Mounted for Items 11B and 12B.
5. See Controls Section.

Example:

PCB-1225 Clutch Brake per I-25609 - 90 Volt, Left Hand hub, 2" Bore, Inside Mounted

These units meet the standards of UL508 and are listed under guide card #NMTR2, file #59164. These units are CSA certified under file #LR11543.

*See page 252 for specific part numbers.

Refer to Service Manual P-205.

Sold & Serviced By:

ELECTROMATE

Toll Free Phone (877) SERV098
Toll Free Fax (877) SERV099
www.electromate.com
sales@electromate.com