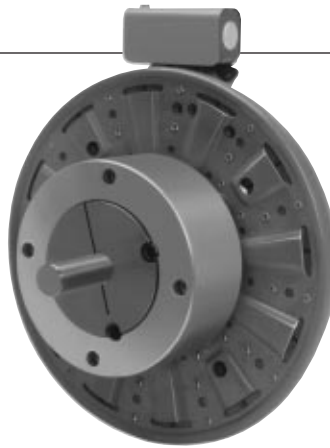
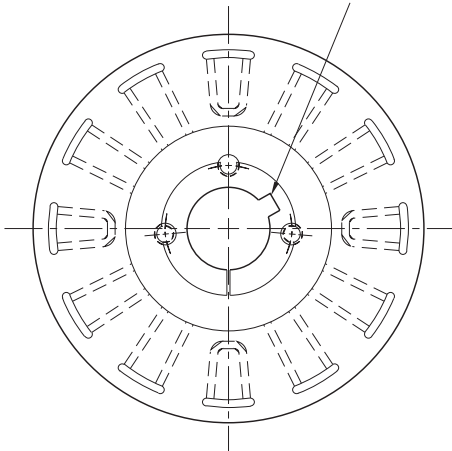


# Brake

## PB-1225 Normal Duty



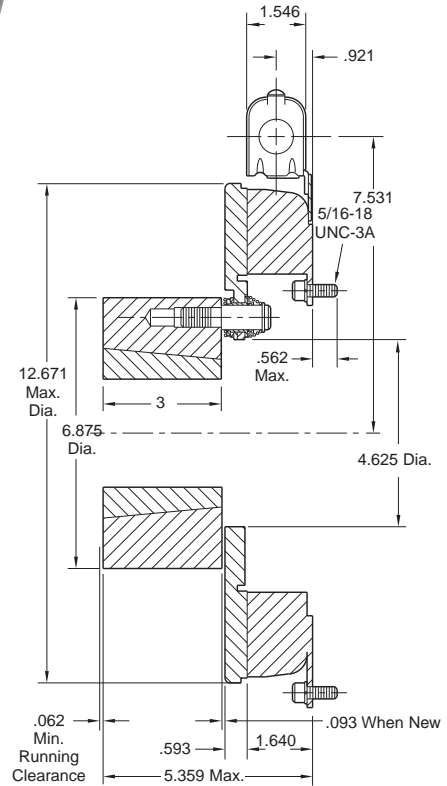
See page 252 for details on Bushings.



**ARMATURE VIEW**



**MAGNET VIEW  
(Inside & Outside Mounted)**



|                  |                |
|------------------|----------------|
| Shaft Size       | .937 – 3.000   |
| Static Torque    | 465 lb. ft.    |
| Maximum Speed    | 3,000 rpm      |
| Standard Voltage | D.C. 6, 24, 90 |

All dimensions are nominal unless otherwise noted.

Information on inertia and weights begins on page 239. Coil data is on pages 250 and 251.

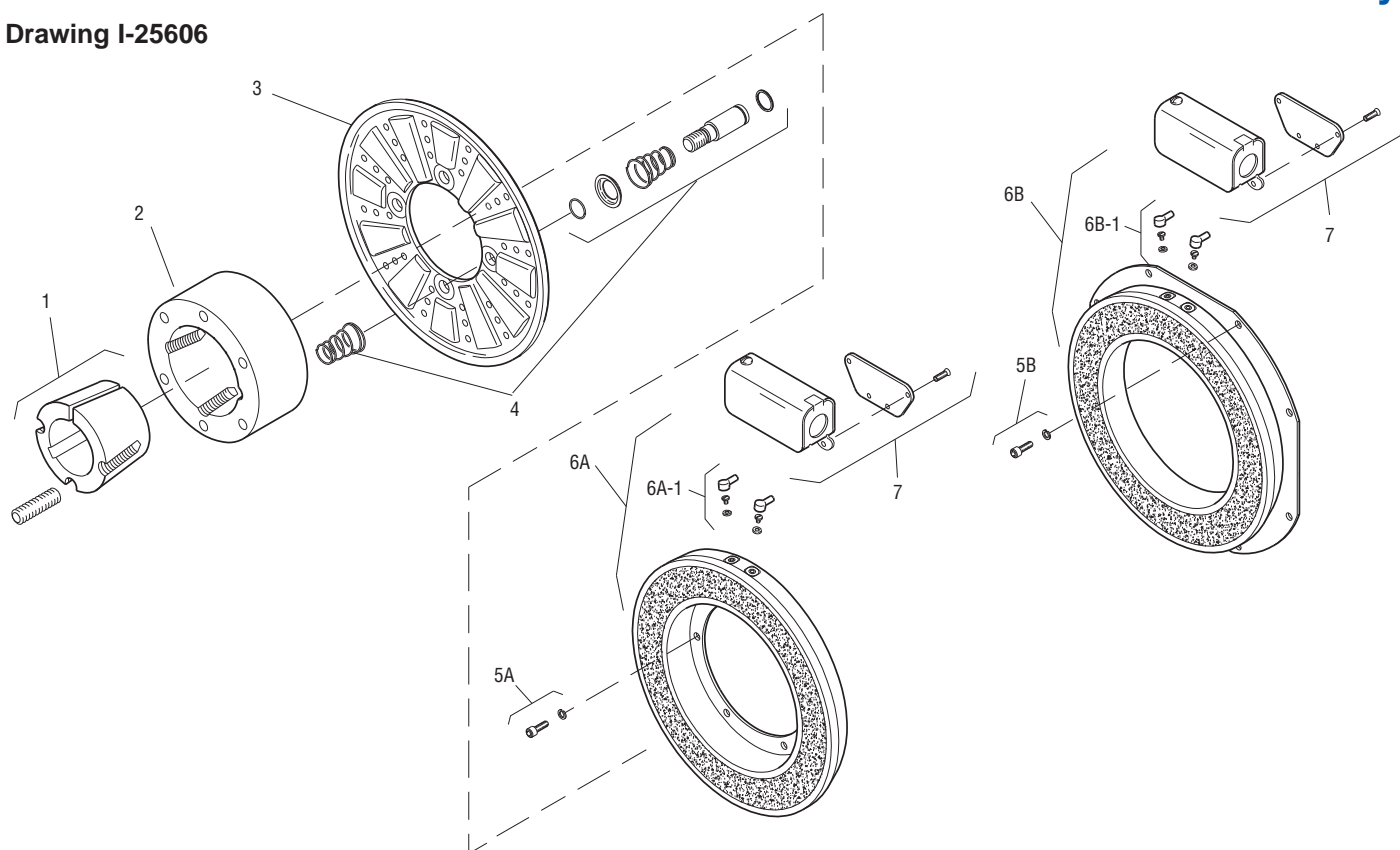
\* Mounting holes are within .010 of true position relative to pilot diameter.

### Customer Shall Maintain:

1. Squareness of magnet mounting face with armature shaft within .006 T.I.R.
2. Concentricity of magnet mounting pilot diameter with armature shaft within .010 T.I.R.



Drawing I-25606



| Item | Description               | Part Number          | Qty. |
|------|---------------------------|----------------------|------|
| 1    | Bushing*                  |                      | 1    |
|      | 15/16" to 3" Bore         | 180-0262 to 180-0295 |      |
| 2    | Armature Hub              | 540-0015             | 1    |
| 3    | Armature                  | 5303-111-009         | 1    |
| 4    | Autogap Accessory         | 5201-101-008         | 4    |
| 5A   | Mounting Accessory - I.M. | 5321-101-001         | 1    |
| 5B   | Mounting Accessory - O.M. | 5321-101-002         | 2    |
| 6A   | Magnet - Inside Mounted   |                      | 1    |
|      | 6 Volt                    | 5313-631-005         |      |
|      | 24 Volt                   | 5313-631-006         |      |
|      | 90 Volt                   | 5313-631-007         |      |
|      | †90 Volt                  | 5313-631-001         |      |
| 6A-1 | Terminal Accessory        | 5311-101-001         | 1    |
| 6B   | Magnet - Outside Mounted  |                      | 1    |
|      | 6 Volt                    | 5313-631-010         |      |
|      | 24 Volt                   | 5313-631-012         |      |
|      | 90 Volt                   | 5313-631-011         |      |
|      | †90 Volt                  | 5313-631-002         |      |

| Item | Description        | Part Number  | Qty. |
|------|--------------------|--------------|------|
| 6B-1 | Terminal Accessory | 5311-101-001 | 1    |
| 7    | Conduit Box        | 5200-101-011 | 1    |

### How to Order:

1. Specify Bore Size for Item 1.
2. Specify Inside Mounted for Items 5A and 6A or Outside Mounted for Items 5B and 6B.
3. Specify Voltage for Item 6A or 6B.
4. See Controls Section.

### Example:

PB-1225 Brake per I-25606 - 90 Volt,  
1" Bore, Inside Mounted

These units, when used in conjunction with the correct Warner Electric conduit box, meet the standards of UL508 and are listed under guide card #NMTR, file #59164. These units are CSA certified under file #LR11543.

\*See page 252 for specific part numbers.

Refer to Service Manual P-208.

†Optional LK facing available. For more information, see page 232.

Sold & Serviced By:



Toll Free Phone (877) SERV098  
Toll Free Fax (877) SERV099  
www.electromate.com  
sales@electromate.com