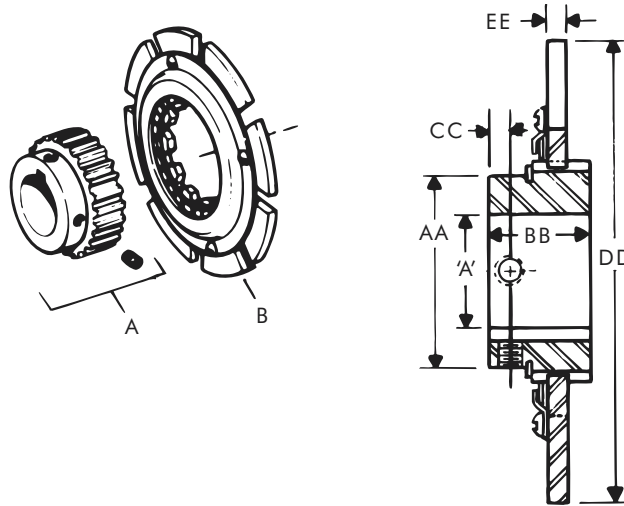


Ajusto-Gap® Armature and Hub Assembly

Used With

● 304



The Ajusto-gap® feature is used to give a positive release of the armature plate while maintaining a constant air gap throughout the wear life of the unit.

Armature Dimensions (Inches)

Part No.	AA	BB	CC	DD	EE
304396-8	-	-	-	4.00	16

Hub Dimensions (Inches)

304465	1.50	.86	.20	-	-
--------	------	-----	-----	---	---

Bore "A"	Keyway
7/8"	.187 x .094
1"	.250 x .125

.875 and 1.000 Bores

Item	Description	Part No.
A	Hub Assembly (Model 304)	
	7/8" Bore	304465-4
	1" Bore	304465-5
B	Armature Plate Assembly (Model 304) For Clutch Couplings and Brakes	304396-8

All the above armature plates can be used only with hubs as specified.