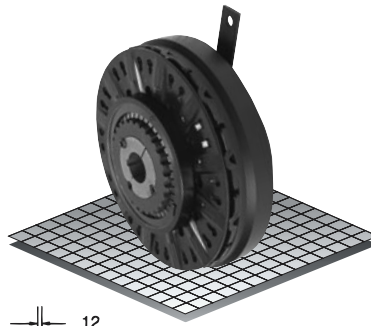


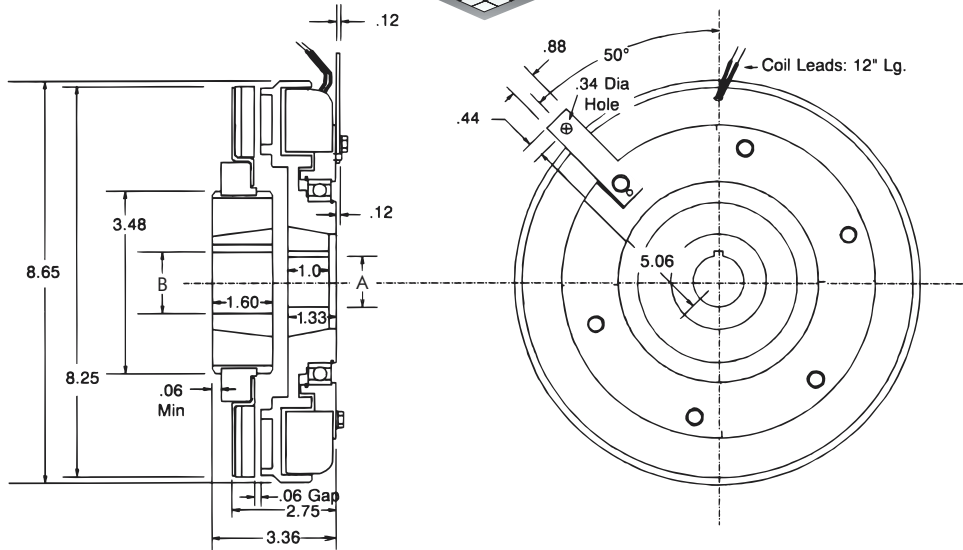
# Clutch Coupling

Model

● 308



- ▶ Stationary Field
- ▶ Bearing Mounted
- ▶ Spline Drive



### Bushing 1615

Bore "B"	Keyway	Part No.
1/2"	.500	326015 - 1
9/16"	.562	326015 - 2
5/8"	.625	326015 - 3
11/16"	.687	326015 - 4
3/4"	.750	326015 - 5
13/16"	.812	326015 - 6
7/8"	.875	326015 - 7
15/16"	.937	326015 - 8
1"	1.000	326015 - 9
1-1/16"	1.062	326015 - 10
1-1/8"	1.125	326015 - 11
1-3/16"	1.187	326015 - 12
1-1/4"	1.250	326015 - 13
1-5/16"	1.312	326015 - 14
1-3/8"	1.375	326015 - 15
1-7/16"	1.437	326015 - 16
1-1/2"	1.500	326015 - 17
1-9/16"	1.562	326015 - 18
1-5/8"	1.625	326015 - 19
*1-3/8"	1.375	326015 - 20
*1-5/8"	1.625	326015 - 21

### Bushing 1610

Bore "A"	Keyway	Part No.
1/2"	.500	326642 - 1
9/16"	.562	326642 - 2
5/8"	.625	326642 - 3
11/16"	.687	326642 - 4
3/4"	.750	326642 - 5
13/16"	.812	326642 - 6
7/8"	.875	326642 - 7
15/16"	.937	326642 - 8
1"	1.000	326642 - 9
1-1/16"	1.062	326642 - 10
1-1/8"	1.125	326642 - 11
1-3/16"	1.187	326642 - 12
1-1/4"	1.250	326642 - 13
1-5/16"	1.312	326642 - 14
1-3/8"	1.375	326642 - 15
1-7/16"	1.437	326642 - 16
1-1/2"	1.500	326642 - 17
1-9/16"	1.562	326642 - 18
1-5/8"	1.625	326642 - 19

### Technical Data and Torque (In. Lb.)

Model No.	Wt. Lbs.	Static Torque in. lb.	Max. Speed RPM	Coil Voltage vdc	*Rated Current amps	RPM									
						0	300	600	900	1200	1500	1800	2400	3000	3600
308	14.2	2100	3600	90	.57	2100	1848	1596	1428	1344	1260	1128	888	720	588

\* Rated Current for 90v.

Refer to Section M for torque and heat dissipation curves. Customer must maintain concentricity between shafts within .010.

### Order Parts for Assembly No. FC308158-3

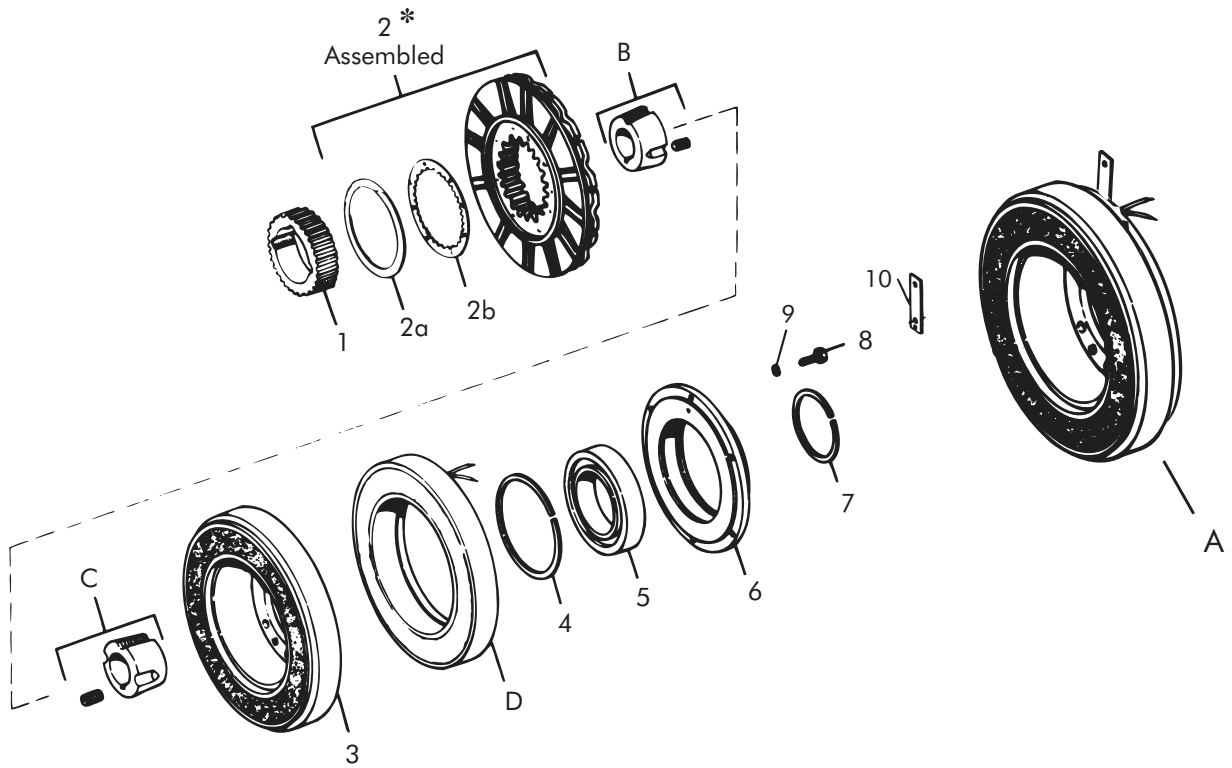
	Armature Hub	Armature Plate Assembly	(1615) Taper Bushing	Bearing Mounted Rotor & Field	(1610) Taper Bushing
24 Volts	308680	308382-4	326015-XX	308773	326642-XX
90 Volts	308680	308382-4	326015-XX	308774	326642-XX

To order, specify: 1, Armature Hub 1, Armature Plate Assembly  
 1, Taper Bushing (1615) of required Bore size 1, Taper Bushing (1610) of required Bore size  
 1, Bearing Mounted Rotor and Field of required Voltage

For controls, see Section K.

Sold & Serviced By:  
**ELECTROMATE**  
 Toll Free Phone (877) SERV098  
 Toll Free Fax (877) SERV099  
 www.electromate.com  
 sales@electromate.com

# Clutch Coupling – Replacement Parts



## Replacement Parts

Item	Qty.	Description	Part No.	Item	Qty.	Description	Part No.
1	1	Armature Hub	308680	A	1	Rotor and Field	
2	1	Armature Plate Assy. (27 Teeth)	308382-4			24 Volts	308773
2a	1	Adjusto-gap® Spring	326273			90 Volts	308774
2b	1	Drag Spring	326276	B	1	Taper Bushing (1615)	326015-XX
3	1	Rotor Assembly	308820-8	C	1	Taper Bushing (1610)	326642-XX
4	1	Retaining Ring (Internal)	RY-20042	D	1	Field	
5	1	Bearing	RY-20047			24 Volts	308733-4
6	1	Field Mounting Hub	308752			90 Volts	308734-4
7	1	Retaining Ring (External)	RY-20037				
8	6	Screw	DY-14764				
9	6	Washers	DY-4366				
10	1	Support Arm	326549				
11	1	Pin (not shown)	RY-20094				

\* Current design armatures are solid.