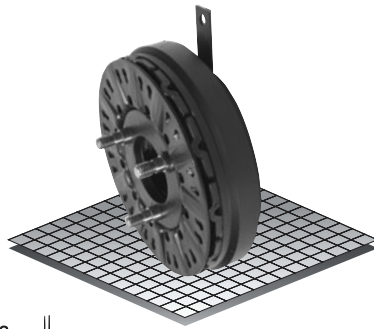


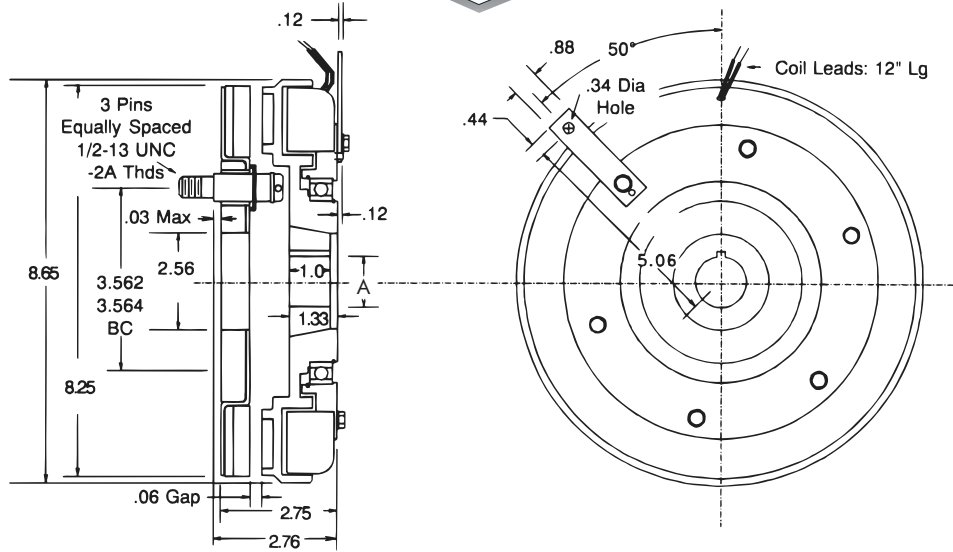
Clutch

Model

● 308



- ▶ Stationary Field
- ▶ Bearing Mounted
- ▶ Pin Drive



Bushing 1610

Bore "A"		Keyway	Part No.
1/2"	.500	.125 x .062	326642 - 1
9/16"	.562	.125 x .062	326642 - 2
5/8"	.625	.187 x .093	326642 - 3
11/16"	.687	.187 x .093	326642 - 4
3/4"	.750	.187 x .093	326642 - 5
13/16"	.812	.187 x .093	326642 - 6
7/8"	.875	.187 x .093	326642 - 7
15/16"	.937	.250 x .125	326642 - 8
1"	1.000	.250 x .125	326642 - 9
1-1/16"	1.062	.250 x .125	326642 - 10
1-1/8"	1.125	.250 x .125	326642 - 11
1-3/16"	1.187	.250 x .125	326642 - 12
1-1/4"	1.250	.250 x .125	326642 - 13
1-5/16"	1.312	.312 x .156	326642 - 14
1-3/8"	1.375	.312 x .156	326642 - 15
1-7/16"	1.437	.375 x .187	326642 - 16
1-1/2"	1.500	.375 x .187	326642 - 17
1-9/16"	1.562	.375 x .187	326642 - 18
1-5/8"	1.625	.375 x .187	326642 - 19

Technical Data and Torque (In. Lb.)

Model No.	Wt. Lbs.	Static Torque in. lb.	Max. Speed RPM	Coil Voltage vdc	*Rated Current amps	RPM									
						0	300	600	900	1200	1500	1800	2400	3000	3600
308	21.3	2100	3600	90	.57	2100	1848	1596	1428	1344	1260	1128	888	720	588

* Rated Current for 90v.

Refer to Section M for torque and heat dissipation curves.

Order Parts for Assembly No. FC308152-3

	Armature Plate Assembly	Bearing Mounted Rotor & Field	(1610) Taper Bushing	Ajusto-gap® Accessory
24 Volts	308380	308773	326642-XX	326075
90 Volts	308380	308774	326642-XX	326075

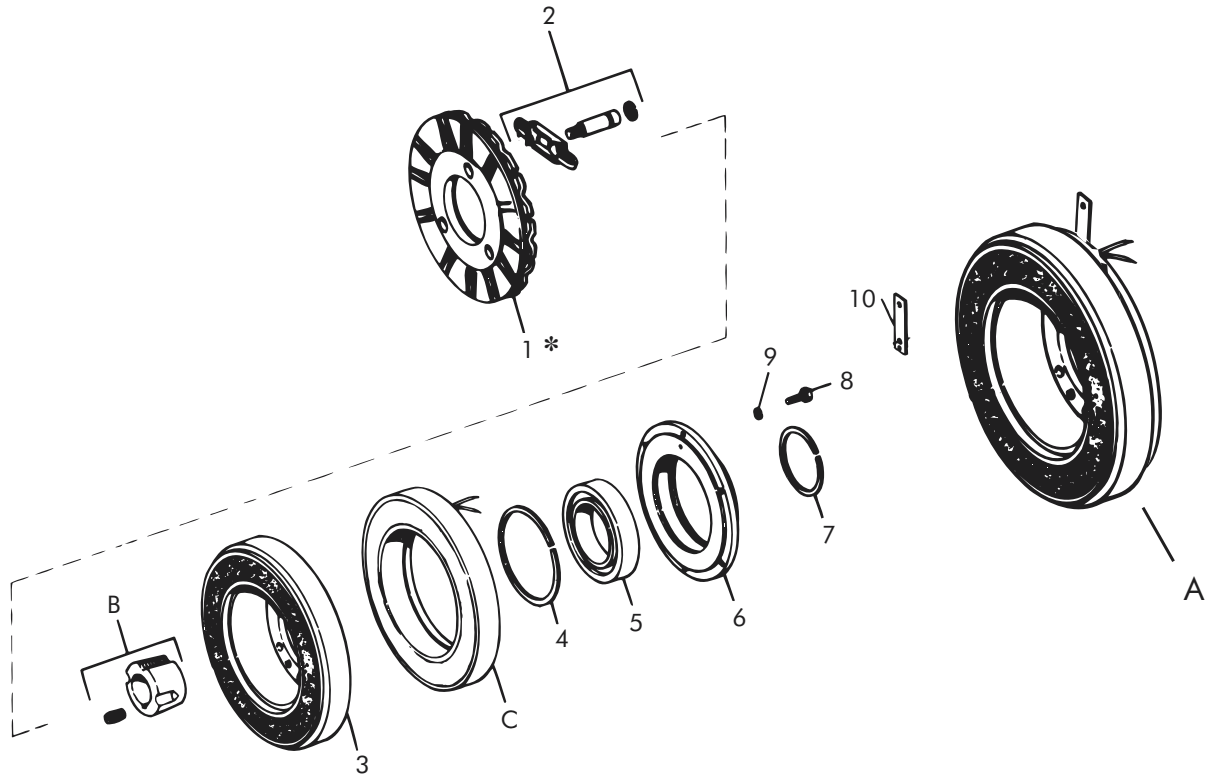
To order, specify: 1, Armature Plate Assembly
 1, Bearing Mounted Rotor and Field of required Voltage
 1, Taper Bushing (1610) of required Bore size
 1, Ajusto-gap® Accessory

For controls, see Section K.

Sold & Serviced By:

 Toll Free Phone (877) SERV098
 Toll Free Fax (877) SERV099
www.electromate.com
sales@electromate.com

Clutch – Replacement Parts



Replacement Parts

Item	Qty.	Description	Part No.	Item	Qty.	Description	Part No.
1	1	Armature Plate Assembly	308380	11	1	Pin (not shown)	RY-20094
2	1	Adjusto-gap® Accessory	326075	A	1	Bearing Mounted Rotor and Field	
2a	3	Drive Pin	326008			24 Volts	308773
2b	3	Spring	326149			90 Volts	308774
2c	3	Retaining Ring (External)	DY-10572	B	1	Taper Bushing (1610)	326642-XX
3	1	Rotor Assembly	308820-8	C	1	Field	
4	1	Retaining Ring (Internal)	RY-20042			24 Volts	308733-4
5	1	Bearing	RY-20047			90 Volts	308734-4
6	1	Field Mounting Hub	308752				
7	1	Retaining Ring (External)	RY-20037				
8	6	Screw	DY-14764				
9	6	Washers	DY-4366				
10	1	Support Arm	326549				

* Current design armatures are solid.