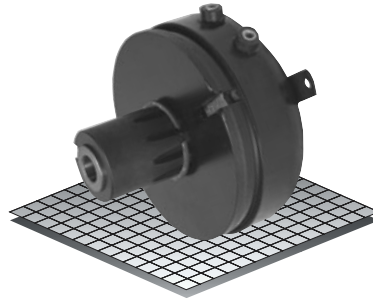


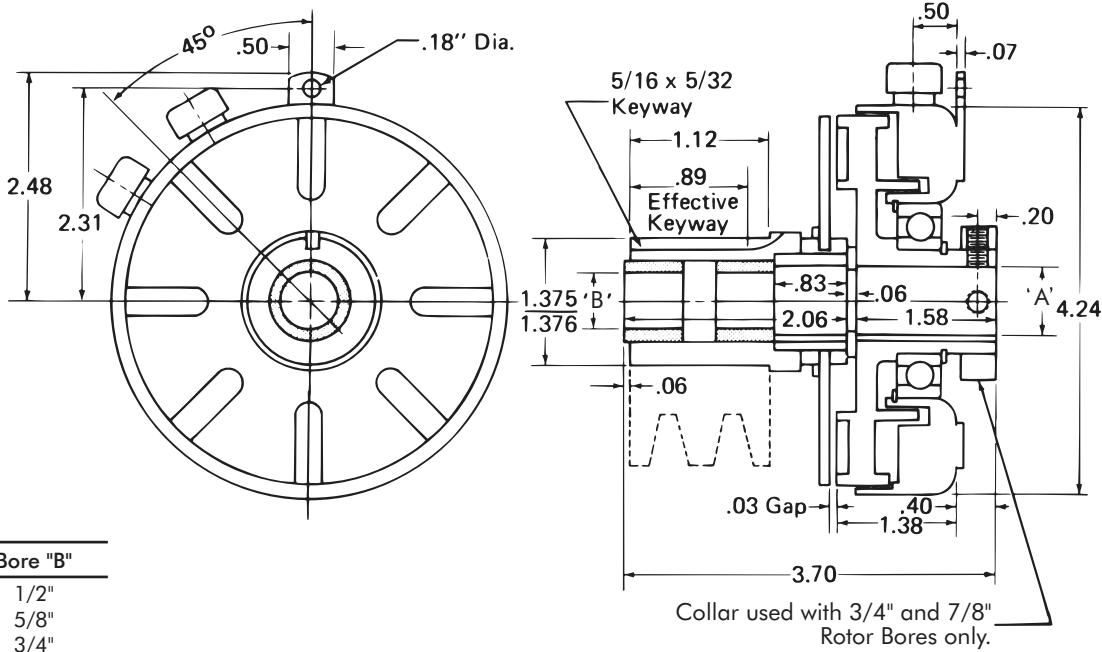
Clutch

Model

● 304



- ▶ Stationary Field
- ▶ Bearing Mounted
- ▶ Spline Drive
- ▶ Extended Hub



Bore "B"
1/2"
5/8"
3/4"

Bore "A"	Keyway
1/2"	.125 x .062
5/8"	.187 x .094
3/4"	.187 x .094
7/8"	.187 x .094

Customer to supply set collar/retaining device to maintain axial position of extended hub on shaft.

Technical Data and Torque (In. Lb.)

Model No.	Wt. Lbs.	Static Torque in. lb.	Max. Speed RPM	Coil Voltage vdc	* Rated Current amps	RPM									
						0	300	600	900	1200	1500	1800	2400	3000	3600
304	3.8	264	3600	90	.13	264	216	192	180	168	156	156	144	132	120

* Rated Current for 90v.

Refer to Section M for torque and heat dissipation curves.

Order Parts for Assembly No. FC304160

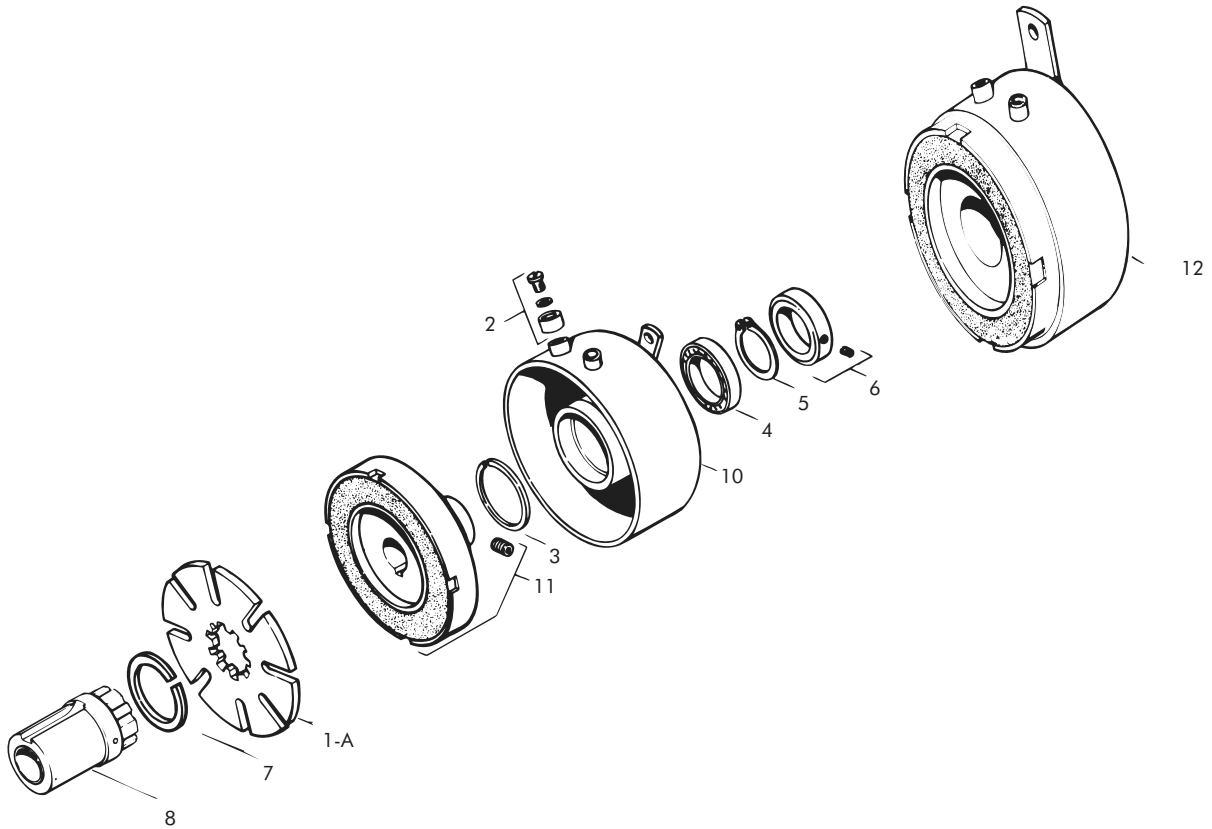
	Armature Plate Assembly	Magnet Accessory	Armature Hub			Bearing Mounted Rotor & Field			
			Bore			Bore			
			1/2"	5/8"	3/4"	1/2"	5/8"	3/4"	7/8"
24 Volts	304390-11	326146-2	304459-6	304459-7	304459-8	304773-1	304773-3	304773-5	304773-6
90 Volts	304390-11	326146-2	304459-6	304459-7	304459-8	304774-1	304774-3	304774-5	304774-6

To order, specify: 1, Armature Plate Assembly
 1, Magnet Accessory
 1, Extended Armature Hub of required Bore size
 1, Bearing Mounted Rotor and Field of required Voltage

For controls, see Section K.

Sold & Serviced By:
ELECTROMATE
 Toll Free Phone (877) SERV098
 Toll Free Fax (877) SERV099
www.electromate.com
sales@electromate.com

Clutch – Replacement Parts



Replacement Parts

Item	Qty.	Description	Part No.	Item	Qty.	Description	Part No.
1	1	Armature Plate Assy. (10 Teeth)	304390-11	11	1	Rotor Assembly	
2	1	Magnet Accessory	326146-2			1/2" Bore	304556-1
3	1	Retaining Ring (Internal)	DY-10860			5/8" Bore	304556-3
4	1	Bearing	RY-20320			3/4" Bore	304556-5
5	1	Retaining Ring (External)	DY-1102			7/8" Bore	304556-6
6	1	Collar		12	1	Rotor and Field Assembly	
7	1	Retaining Ring	326519-1			24 Volts, 1/2" Bore	304773-1
8	1	Extended Armature Hub Assembly	DY-15393			24 Volts, 5/8" Bore	304773-3
		1/2" Bore	304459-6			24 Volts, 3/4" Bore	304773-5
		5/8" Bore	304459-7			24 Volts, 7/8" Bore	304773-6
		3/4" Bore	304459-8			90 Volts, 1/2" Bore	304774-1
10	1	Field Magnet Assembly				90 Volts, 5/8" Bore	304774-3
		24 Volts	304333			90 Volts, 3/4" Bore	304774-5
		90 Volts	304334			90 Volts, 7/8" Bore	304774-6