

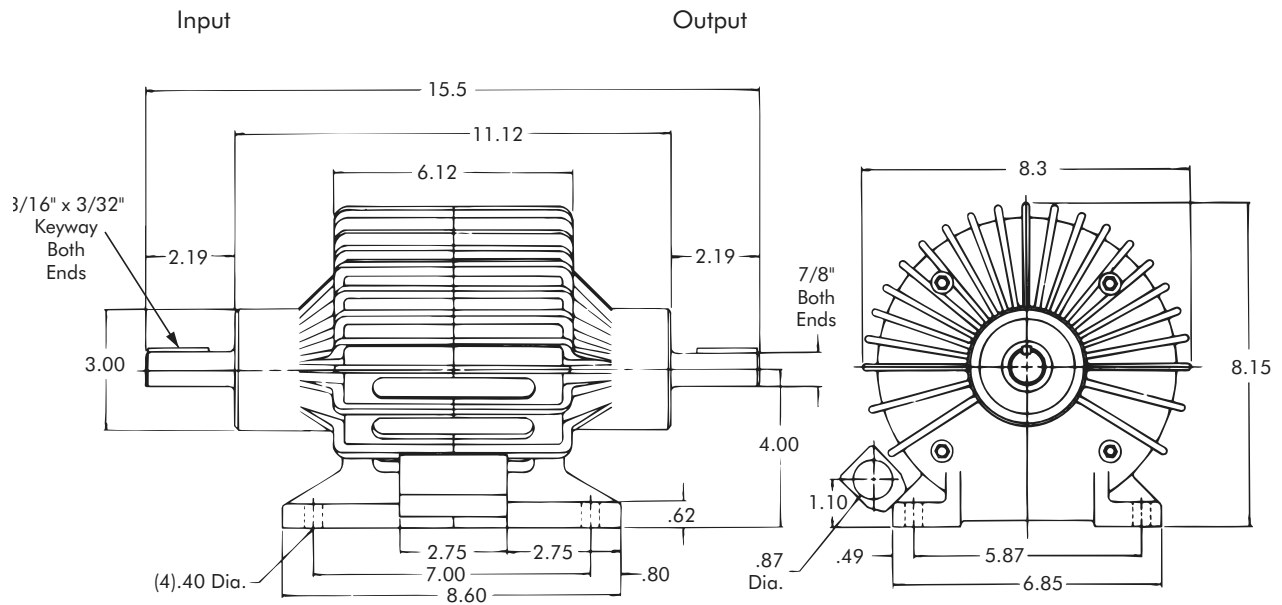
# Foot Mounted Clutch-Brake Package

Model

● CBP-500



- ▶ Factory Assembled and Tested
- ▶ Spline Drive



Technical Data and Torque (In. Lb.)

| Model No. | Wt. Lbs. | Static Torque in. lb. | Max. Speed RPM | Coil Voltage vdc | Rated Current amps |       | RPM |     |     |     |      |      |      |      |      |      |
|-----------|----------|-----------------------|----------------|------------------|--------------------|-------|-----|-----|-----|-----|------|------|------|------|------|------|
|           |          |                       |                |                  | Clutch             | Brake | 0   | 300 | 600 | 900 | 1200 | 1500 | 1800 | 2400 | 3000 | 3600 |
| CBP-500   | 35       | 684                   | 3600           | 90               | .39                | .41   | 684 | 624 | 564 | 516 | 468  | 420  | 384  | 324  | 288  | 252  |

Refer to Section M for torque and heat dissipation curves.

\* Rated Current for 90v.

|          |                |
|----------|----------------|
|          | Model No.      |
|          | <b>CBP-500</b> |
| 24 Volts | 305184-3       |
| 90 Volts | 305184-4       |

To order use number shown in Table above.  
For controls, see Section K.

Sold & Serviced By:



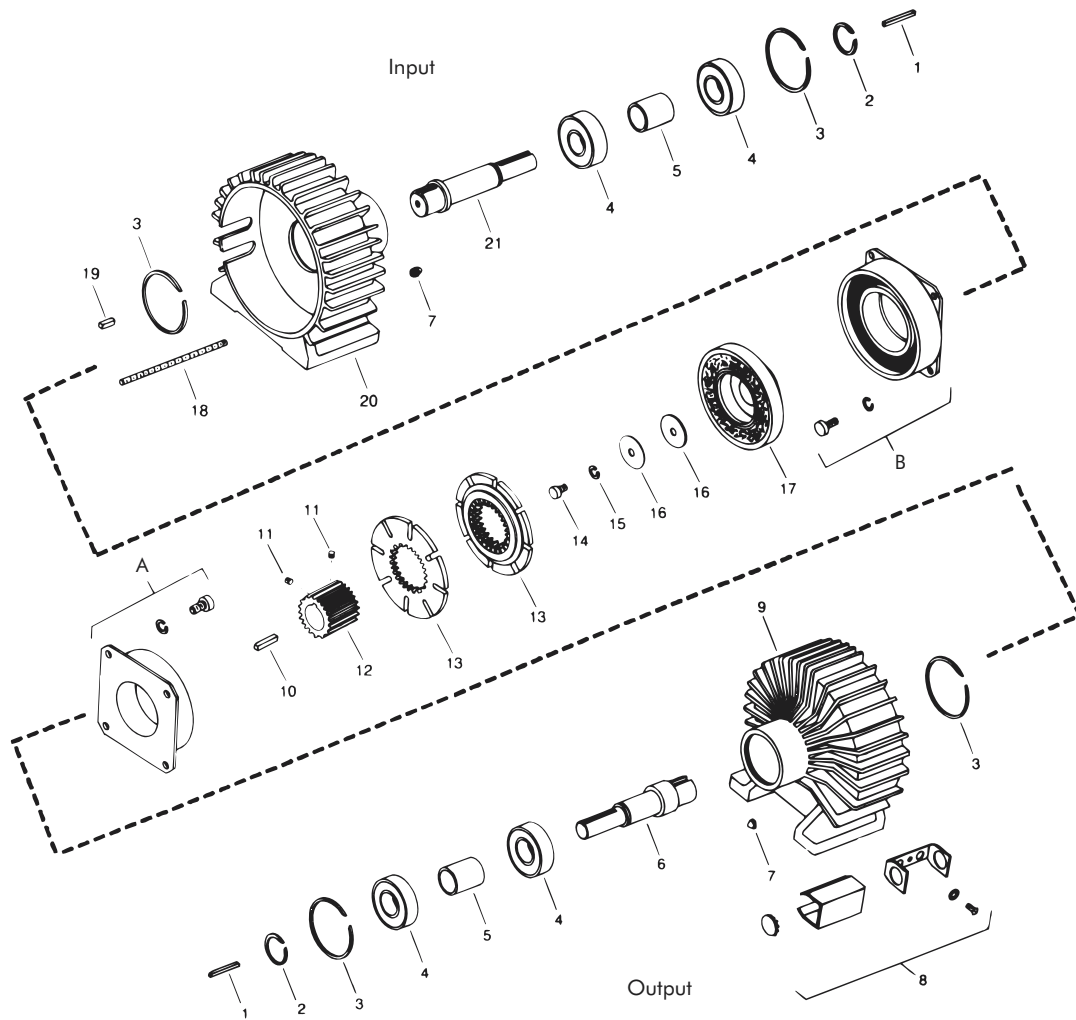
Toll Free Phone (877) SERV098

Toll Free Fax (877) SERV099

www.electromate.com

sales@electromate.com

# Foot Mounted Clutch-Brake Package – Replacement Parts



## Replacement Parts

| Item | Qty. | Description             | Part No.  | Item | Qty. | Description          | Part No. |
|------|------|-------------------------|-----------|------|------|----------------------|----------|
| 1    | 2    | Key                     | DY-6666   | 18   | 4    | Stud                 | 326714   |
| 2    | 2    | Retaining Ring          | DY-5385   | 19   | 1    | Key                  | DY-1830  |
| 3    | 4    | Retaining Ring          | DY-456    | 20   | 1    | Clutch End Cap       | 650374-1 |
| 4    | 4    | Bearing                 | DY-13191  | 21   | 1    | Shaft (Clutch)       | 650348-1 |
| 5    | 2    | Bearing Spacer          | 650118    | 22   | 8    | Washer (not shown)   | DY4472   |
| 6    | 1    | Shaft (Brake)           | 650347-1  | 23   | 8    | Capscrew (not shown) | DY10580  |
| 7    | 8    | Nut                     | RY-20051  | A    | 1    | Magnet (Brake)*      |          |
| 8    | 1    | Magnet Accessory        | 326143    |      |      | 24 Volts             | 305353   |
| 9    | 1    | Brake End Cap           | 650374-2  |      |      | 90 Volts             | 305354   |
| 10   | 1    | Key                     | DY-772    | B    | 1    | Field (Clutch)       |          |
| 11   | 2    | Set Screw               | DY-11906  |      |      | 24 Volts             | 305333-4 |
| 12   | 1    | Splined Hub             | 305454-28 |      |      | 90 Volts             | 305334-4 |
| 13   | 2    | Armature Plate Assembly | 305396-1  |      |      |                      |          |
| 14   | 1    | Screw                   | DY-10998  |      |      |                      |          |
| 15   | 1    | Lock Washer             | DY-4498   |      |      |                      |          |
| 16   | 2    | Retainer Washer         | 326697    |      |      |                      |          |
| 17   | 1    | Rotor Assembly          | 305555-10 |      |      |                      |          |

Sold & Serviced By:



\* Units manufactured before April 2003 have -4 brake fields. After that date, remove -4 from part number of brake field for service part.

Toll Free Phone (877) SERV098

Toll Free Fax (877) SERV099

www.electromate.com

sales@electromate.com