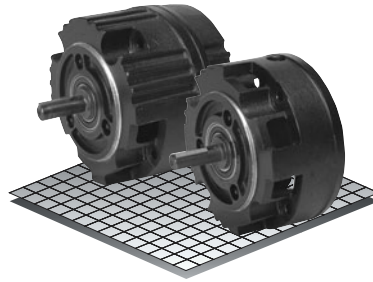


Clutch-Brake Modules

Open Drip Proof

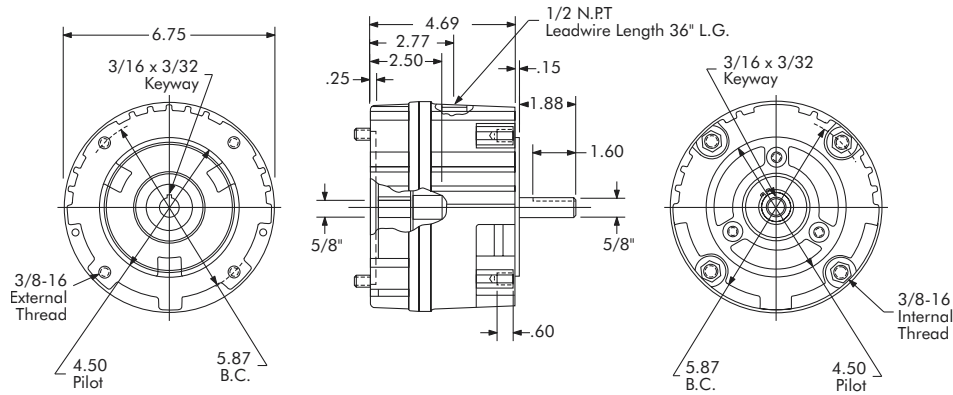
Models

- CBP-56-22
- CBP-56-32
- CP-56-22
- CP-56-32
- BP-56-22
- BP-56-32

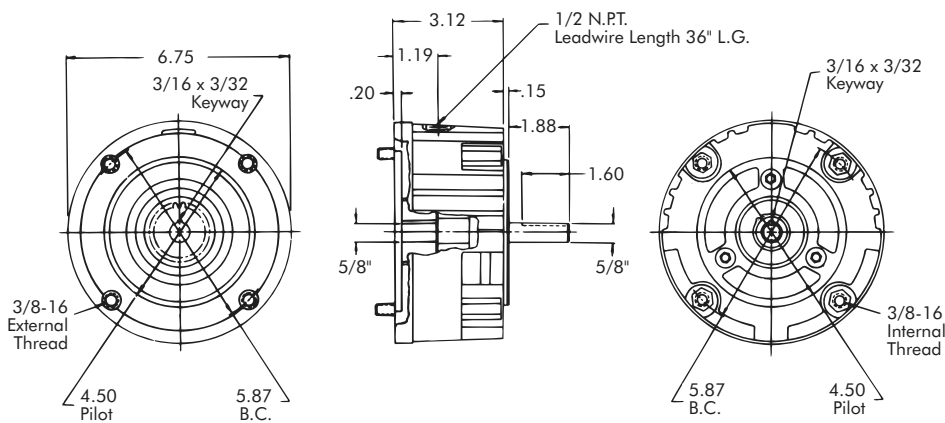


- ▶ Factory Assembled and Tested
- ▶ Spline Drive
- ▶ 56C Flange

Clutch-Brake Module or Clutch Module



Brake Module



Technical Data and Torque (In. Lb.)

Model No.	Wt. Lbs.	Static Torque in. lb.	Max. Speed RPM	Coil Voltage vdc	* Rated Current amps	RPM									
						0	300	600	900	1200	1500	1800	2400	3000	3600
CBP-56-22	16	264	3600	90	.18	264	216	192	180	168	156	156	144	132	120
CP-56-22	12														
BP-56-22	8														
CBP-56-32	16	384	3600	90	.18	384	312	276	264	240	228	228	216	192	168
CP-56-32	12														
BP-56-32	8														

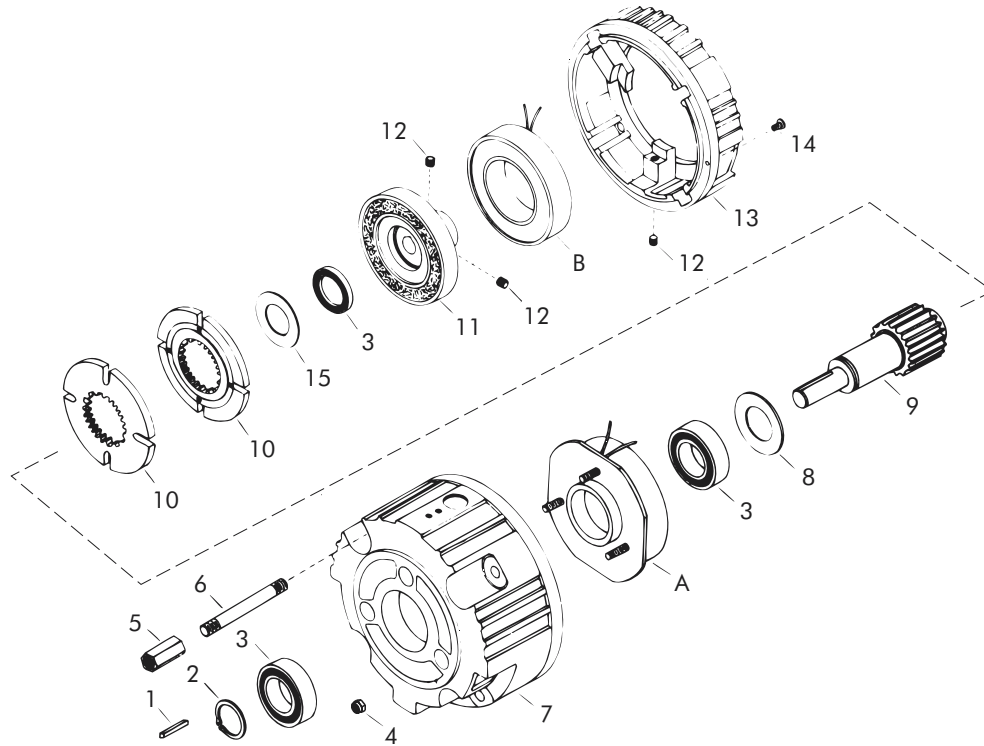
* Rated Current for 90v

Refer to Section M for torque and heat dissipation curves.

	Model No.					
	CBP-56-22	CBP-56-32	CP-56-22	CP-56-32	BP-56-22	BP-56-32
12 Volts	304194-26	-	-	-	-	-
24 Volts	304194-27	304294-27	304196-27	304296-27	304195-27	304295-27
90 Volts	304194-28	304294-28	304196-28	304296-28	304195-28	304295-28

To order use number shown in table above: example – for 90 volt CBP-56-22, order 304194-28. For controls, see Section K.

Sold & Serviced By:
ELECTROMATE
 Toll Free Phone (877) SERV098
 Toll Free Fax (877) SERV099
 www.electromate.com
 sales@electromate.com



Replacement Parts

Item	Qty.	Description	Model No.					
			Clutch-Brake Module		Clutch Module		Brake Module	
			CBP-56-22	CBP-56-32	CP-56-22	CP-56-32	BP-56-22	BP-56-32
1	1	Output Key	DY-11212	DY-11212	DY-11212	DY-11212	DY-11212	DY-11212
2	1	Retaining Ring	DY-1102	DY-1102	DY-1102	DY-1102	DY-1102	DY-1102
3	3 ●	Bearing	DY-11500	DY-11500	DY-11500	DY-11500	DY-11500	DY-11500
4	3	Nut	RY-20113	RY-20113	RY-20113	RY-20113	RY-20113	RY-20113
5	4	Hex Nut	326850	326850	326850	326850	326850	326850
6	4	Stud	326851-4	326851-4	326851-4	326851-4	326851-3	326851-3
7	1	Brake End Bell	650337-3	650337-3	650337-3	650337-3	650337-4	650337-4
8	1	Washer	326960	326960	326960	326960	-	-
9	1	Brake Shaft	650340-7	650340-7	650340-7	650340-7	650376-1	650376-1
10	2 ▲	Armature	304396-8	304396-8	304396-8	304396-8	304396-8	304396-8
11	1	Rotor	304527-7	304527-12	304527-7	304527-12	-	-
12	2	Setscrew	RY-20020	RY-20020	RY-20020	RY-20020	RY-20020	RY-20020
13	1	Clutch End Bell	650356-4	650356-4	650356-4	650356-4	-	-
14	2	Screw	DY-1120	DY-1120	DY-1120	DY-1120	-	-
15	1	Washer	326961	326961	326961	326961	-	-
17	3	Screw (not shown)	-	-	RY-20316	RY-20316	-	-
18	1	Bearing Support (not shown)	-	-	304440-7	304440-7	-	-
19	3	Screw (not shown)	DY-9980	DY-9980	DY-9980	DY-9980	-	-
20	2	Washer (not shown)	DY-10393	DY-10393	DY-10393	DY-10393	-	-
21	2 ▲	Retaining Ring (not shown)	RY-20310	RY-20310	RY-20310	RY-20310	RY-20310	RY-20310
A	1	Brake Field						
		12 Volts	304352-6	304352-11	-	-	304352-6	304352-11
		24 Volts	304353-6	304353-11	-	-	304353-6	304353-11
		90 Volts	304354-6	304354-11	-	-	304354-6	304354-11
B	1	Clutch Field						
		12 Volts	304332-11	304332-12	304332-11	304332-12	-	-
		24 Volts	304333-11	304333-12	304333-11	304333-12	-	-
		90 Volts	304334-11	304334-12	304334-11	304334-12	-	-

● Qty. 1 on Brake Module
▲ Qty. 1 on Clutch Module and Brake Module

