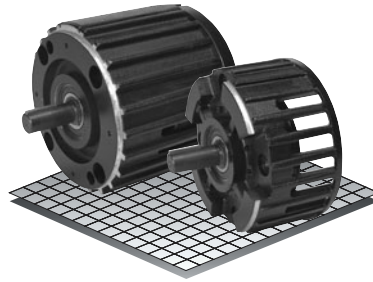


Clutch-Brake Modules

Open Drip Proof

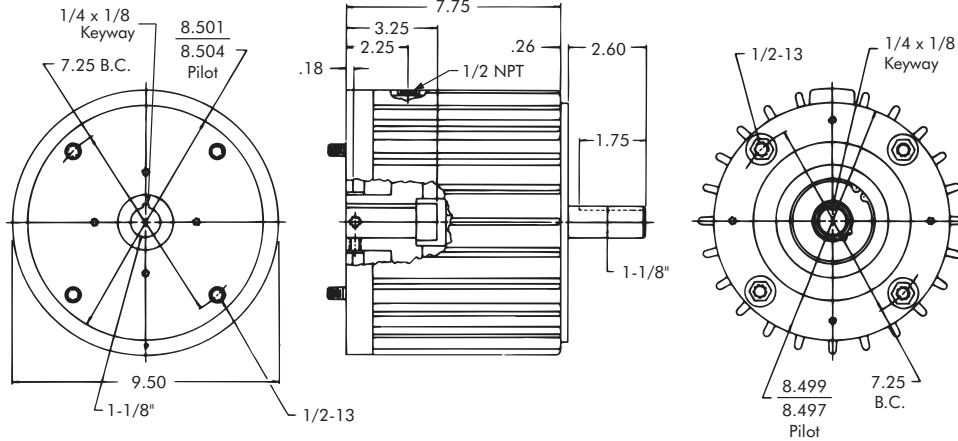
Models

- CBP-184-125
- BP-184-125

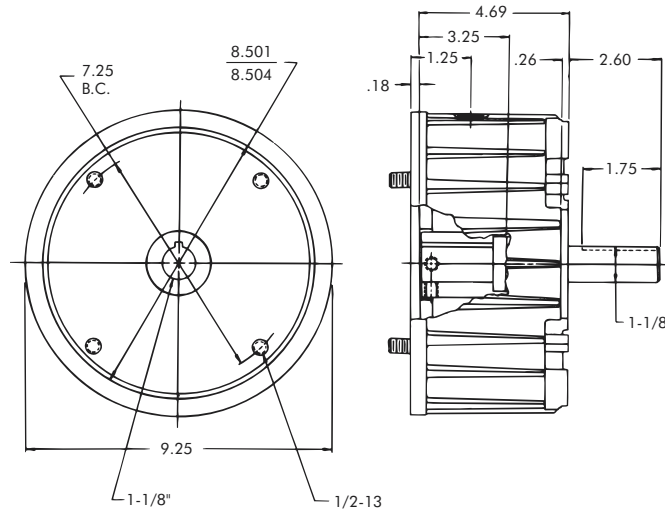


- ▶ Factory Assembled and Tested
- ▶ Spline Drive
- ▶ 182TC/184TC Flange

Clutch-Brake Module



Brake Module



Technical Data and Torque (In. Lb.)

Model No.	Wt. Lbs.	Static Torque in. lb.	Max. Speed RPM	Coil Voltage vdc	* Rated Current amps	RPM									
						0	300	600	900	1200	1500	1800	2400	3000	3600
CBP-184-125	49	1500	3600	90	.46	1500	1320	1140	1020	960	900	804	636	516	420
BP-184-125	31														

* Rated Current for 90v

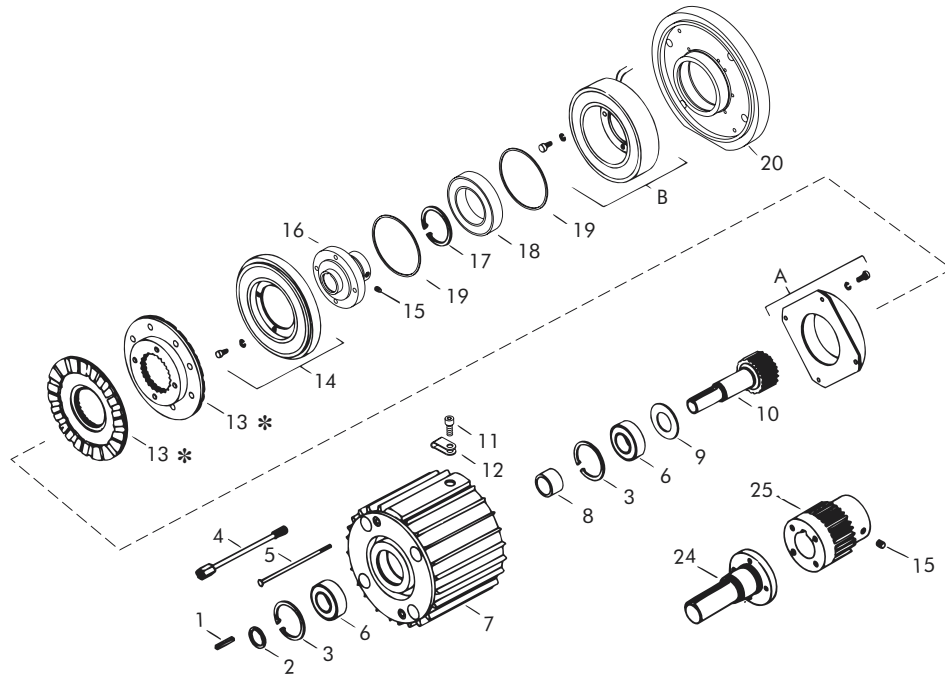
Refer to Section M for torque and heat dissipation curves.

	Model No.	
	CBP-184-125	BP-184-125
24 Volts	307194-151	307195-27
90 Volts	307194-152	307195-28

To order use number shown in Table above: example – for 90 volt CBP-184-125, order 307194-152. For controls, see Section K.

Sold & Serviced By:

 Toll Free Phone (877) SERV098
 Toll Free Fax (877) SERV099
www.electromate.com
sales@electromate.com



Replacement Parts

Item	Qty.	Description	Model No.	
			Clutch-Brake Module	Brake Module
			CBP-184-125	BP-184-125
1	2	Key	326770	326770
2	1	Retaining Ring	RY-20191	RY-20191
3	1	Retaining Ring	RY-20114	DY-11268
4	4	Tie Bolt	650378	650378-1
5	2	Assembly Screw	RY-20193	–
6	2	Bearing	RY-20115	RY-20115
7	1	Housing	650377	650388
8	1	Bearing Spacers	326699	–
9	1	Washer	326769-2	–
10	1	Splined Shaft	650340-20	–
11	1	Cap Screw	DY-10278	–
12	1	Wire Clip	36-42-3	–
13	2	Armature	307382-1	307382-2
14	1	Rotor	307820-11	–
15	2	Setscrew	–	100804
16	1	Rotor Hub	307751-8	–
17	1	Retaining Ring	327064	–
18	1	Bearing	RY-20210	–
19	2	Retaining Ring	DY-15117	–
20	1	End Cap	650380-3	–
21	8	Screw (not shown)	DY-644	RY-20276
22	12	Washer (not shown)	DY-4498	101263
23	6	Screw (not shown)	–	101281
24	1	Brake Shaft	–	650341-7
25	1	Brake Hub	–	307454-1
26	1	Retaining Ring (not shown)	–	RY-20336
A	1	Brake Field		
		24 Volts	307353-4	307353-1
		90 Volts	307354-4	307354-1
B	1	Clutch Field		
		24 Volts	307713-5	–
		90 Volts	307714-5	–

+ Qty. 1 on Brake or Clutch Module
 ■ Qty. 8 on Brake Module

● Qty. 2 on Brake Module
 * Current design armatures are solid.

Sold & Serviced By:



Toll Free Phone (877) SERV098
 Toll Free Fax (877) SERV099
 www.electromate.com
 sales@electromate.com