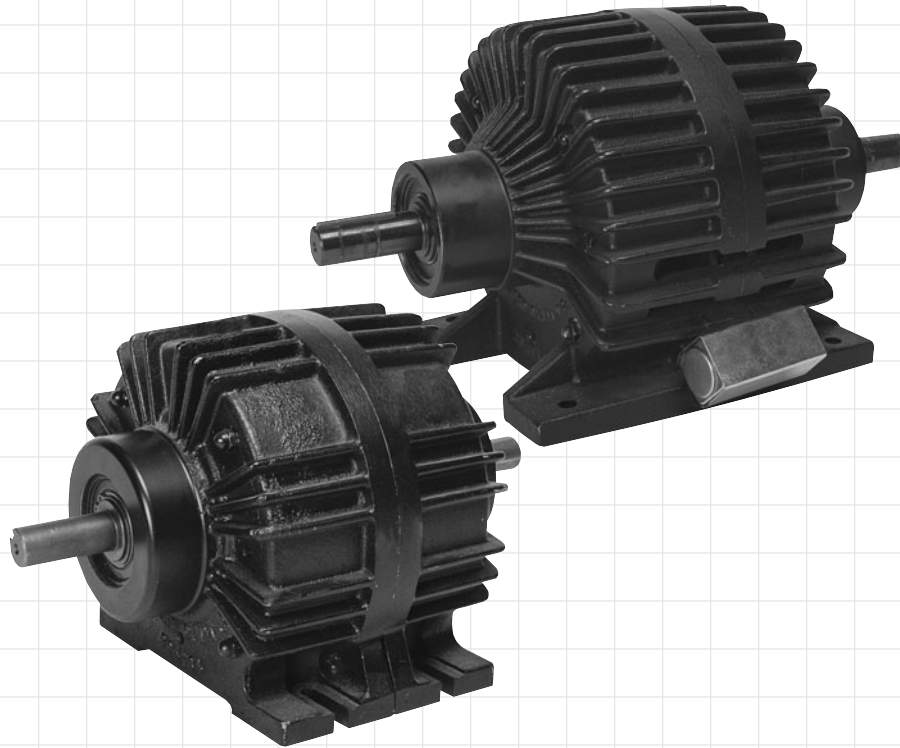


Foot Mounted Clutch-Brake Packages



Description

Dynacorp® foot mounted packages are factory assembled, tested and burnished. They are ready to be direct coupled to the load or belt, chain, gear, etc.

Section Index

Page

Products

Complete information is shown for each product; including specifications drawings, dimensions, parts list and information for ordering.

| Model | Nominal Size | Static Torque (In.-Lbs.) | Maximum HP @ 1800 RPM | Page |
|---------|--------------|--------------------------|-----------------------|------|
| CBP-400 | 4 inch | 264 | 1-1/2 | C-2 |
| CBP-500 | 5 inch | 684 | 3 | C-4 |

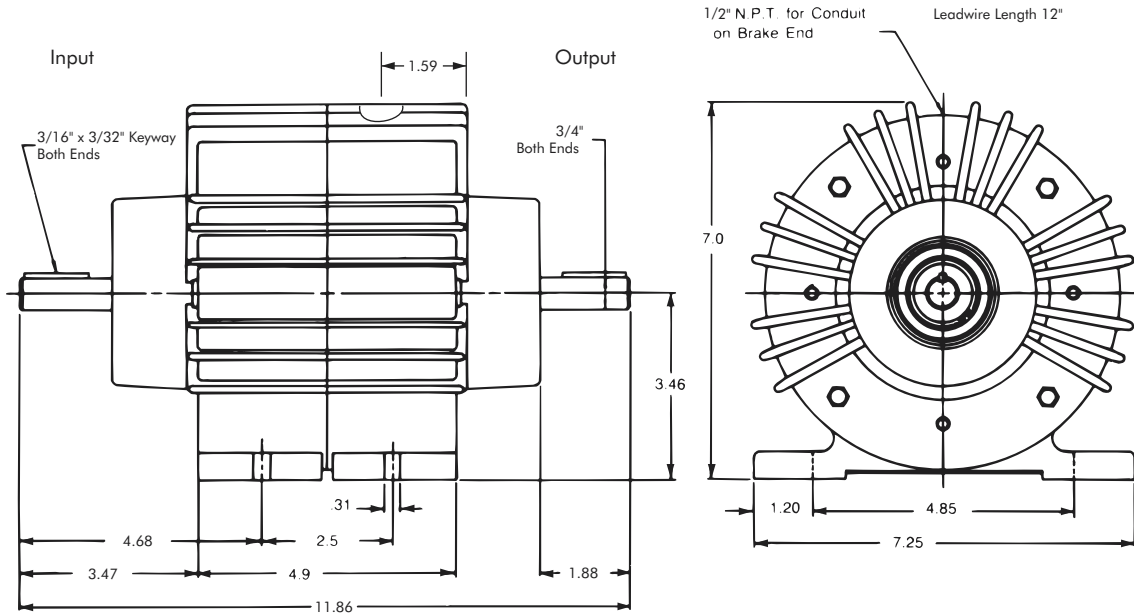
Foot Mounted Clutch-Brake Package

Model

● CBP-400



- ▶ Factory Assembled and Tested
- ▶ Spline Drive



Technical Data and Torque (In. Lb.)

| Model No. | Wt. Lbs. | Static Torque in. lb. | Max. Speed RPM | Coil Voltage vdc | * Rated Current amps | RPM | | | | | | | | | |
|----------------|----------|-----------------------|----------------|------------------|----------------------|-----|-----|-----|-----|------|------|------|------|------|------|
| | | | | | | 0 | 300 | 600 | 900 | 1200 | 1500 | 1800 | 2400 | 3000 | 3600 |
| CBP-400 | 23 | 264 | 3600 | 90 | .12 | 264 | 216 | 192 | 180 | 168 | 156 | 156 | 144 | 132 | 120 |

Refer to Section M for torque and heat dissipation curves.

* Rated Current for 90v.

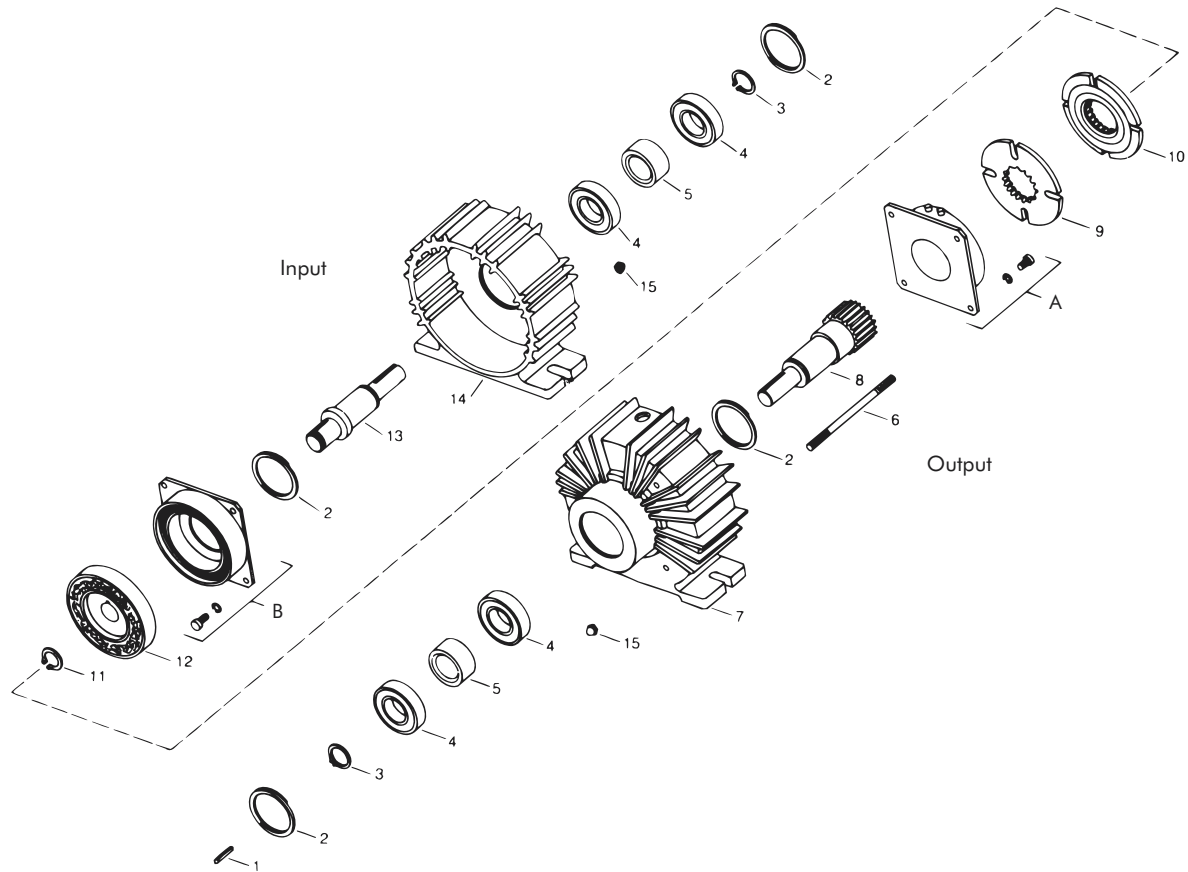
| | |
|----------|-----------------------------|
| | Model No. CBP-400 |
| 24 Volts | 304184-7 |
| 90 Volts | 304184-8 |

To order use number shown in Table above.
For controls, see Section K.

Sold & Serviced By:

 Toll Free Phone (877) SERV098
 Toll Free Fax (877) SERV099
www.electromate.com
sales@electromate.com

Foot Mounted Clutch-Brake Package – Replacement Parts



Replacement Parts

| Item | Qty. | Description | Part No. | Item | Qty. | Description | Part No. |
|------|------|----------------|----------|------|------|------------------------------|-----------|
| 1 | 3 | Key | DY-6529 | 15 | 8 | Acorn Nuts | RY-20051 |
| 2 | 4 | Retaining Ring | DY-10860 | 16 | 2 | Magnet Accessory (not shown) | 326146-2 |
| 3 | 2 | Retaining Ring | DY-1102 | 17 | 2 | Screw (not shown) | DY-497 |
| 4 | 4 | Bearing | DY-11500 | A | 1 | Magnet (Brake)* | |
| 5 | 2 | Bearing Spacer | 326629 | | | 24 Volts | 304353-16 |
| 6 | 4 | Assembly Stud | 626647 | | | 90 Volts | 304354-16 |
| 7 | 1 | Brake End Cap | 650349-1 | B | 1 | Field (Clutch) | |
| 8 | 1 | Splined Shaft | 650340-3 | | | 24 Volts | 304323 |
| 9 | 2 | Armature Plate | 304396-8 | | | 90 Volts | 304324 |
| 11 | 1 | Retaining Ring | RY-20033 | | | | |
| 12 | 1 | Rotor | 304526-6 | | | | |
| 13 | 1 | Shaft | 650348 | | | | |
| 14 | 1 | Clutch End Cap | 650349-2 | | | | |

Sold & Serviced By:

ELECTROMATE
 Toll Free Phone (877) SERV098
 Toll Free Fax (877) SERV099
www.electromate.com
sales@electromate.com

* Units manufactured after April 2003 have -16 brake fields. Prior to that date, remove -16 from part number of brake field for service part.

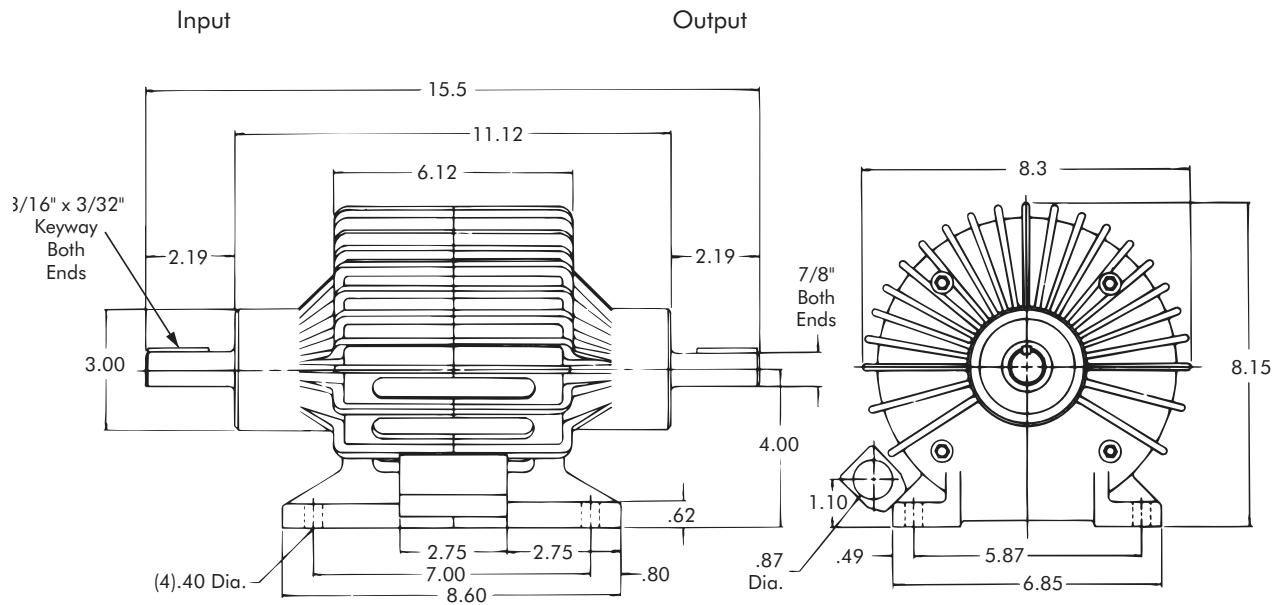
Foot Mounted Clutch-Brake Package

Model

● CBP-500



- ▶ Factory Assembled and Tested
- ▶ Spline Drive



Technical Data and Torque (In. Lb.)

| Model No. | Wt. Lbs. | Static Torque in. lb. | Max. Speed RPM | Coil Voltage vdc | Rated Current amps | | RPM | | | | | | | | | |
|-----------|----------|-----------------------|----------------|------------------|--------------------|-------|-----|-----|-----|-----|------|------|------|------|------|------|
| | | | | | Clutch | Brake | 0 | 300 | 600 | 900 | 1200 | 1500 | 1800 | 2400 | 3000 | 3600 |
| CBP-500 | 35 | 684 | 3600 | 90 | .39 | .41 | 684 | 624 | 564 | 516 | 468 | 420 | 384 | 324 | 288 | 252 |

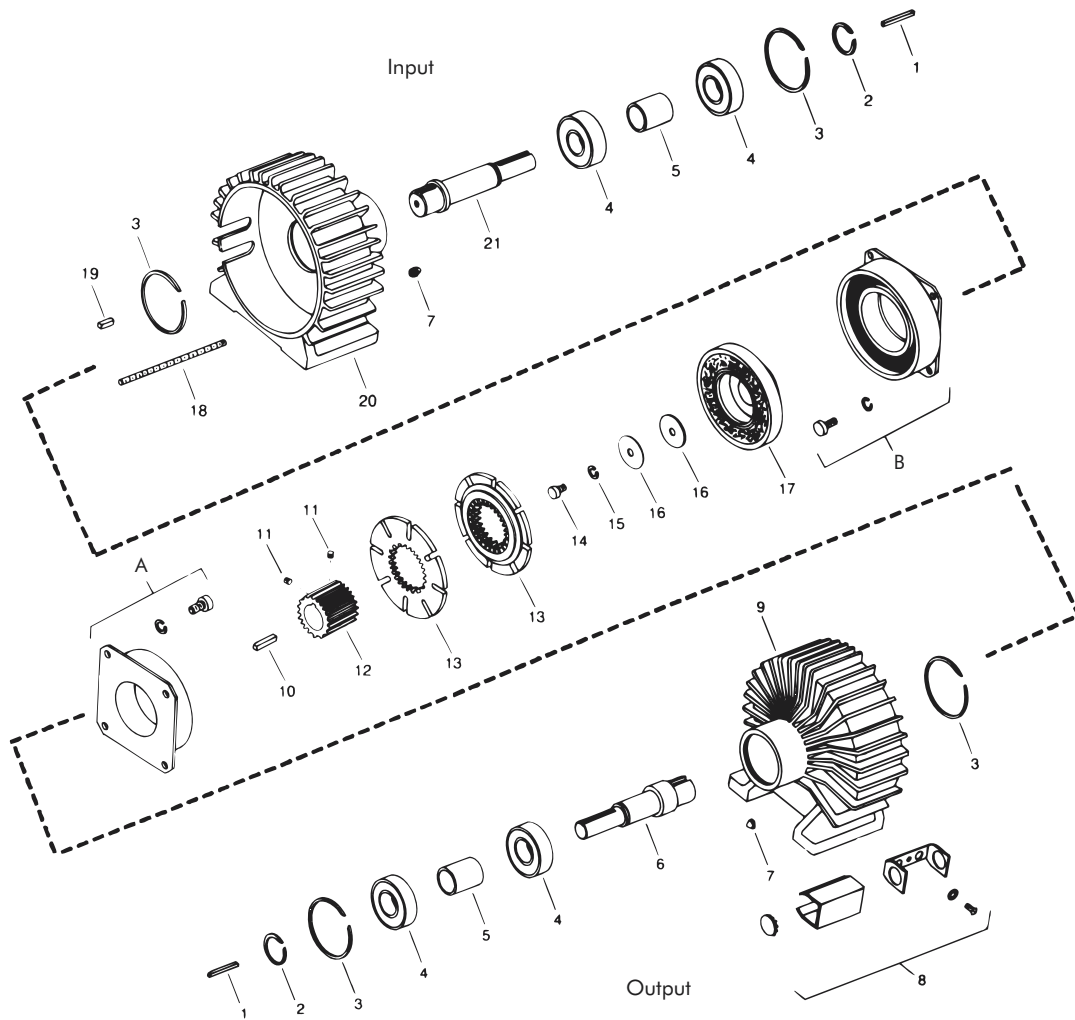
Refer to Section M for torque and heat dissipation curves.

* Rated Current for 90v.

| | |
|----------|----------------|
| | Model No. |
| | CBP-500 |
| 24 Volts | 305184-3 |
| 90 Volts | 305184-4 |

To order use number shown in Table above.
For controls, see Section K.

Foot Mounted Clutch-Brake Package – Replacement Parts



Replacement Parts

| Item | Qty. | Description | Part No. | Item | Qty. | Description | Part No. |
|------|------|-------------------------|-----------|------|------|----------------------|----------|
| 1 | 2 | Key | DY-6666 | 18 | 4 | Stud | 326714 |
| 2 | 2 | Retaining Ring | DY-5385 | 19 | 1 | Key | DY-1830 |
| 3 | 4 | Retaining Ring | DY-456 | 20 | 1 | Clutch End Cap | 650374-1 |
| 4 | 4 | Bearing | DY-13191 | 21 | 1 | Shaft (Clutch) | 650348-1 |
| 5 | 2 | Bearing Spacer | 650118 | 22 | 8 | Washer (not shown) | DY4472 |
| 6 | 1 | Shaft (Brake) | 650347-1 | 23 | 8 | Capscrew (not shown) | DY10580 |
| 7 | 8 | Nut | RY-20051 | A | 1 | Magnet (Brake)* | |
| 8 | 1 | Magnet Accessory | 326143 | | | 24 Volts | 305353 |
| 9 | 1 | Brake End Cap | 650374-2 | | | 90 Volts | 305354 |
| 10 | 1 | Key | DY-772 | B | 1 | Field (Clutch) | |
| 11 | 2 | Set Screw | DY-11906 | | | 24 Volts | 305333-4 |
| 12 | 1 | Splined Hub | 305454-28 | | | 90 Volts | 305334-4 |
| 13 | 2 | Armature Plate Assembly | 305396-1 | | | | |
| 14 | 1 | Screw | DY-10998 | | | | |
| 15 | 1 | Lock Washer | DY-4498 | | | | |
| 16 | 2 | Retainer Washer | 326697 | | | | |
| 17 | 1 | Rotor Assembly | 305555-10 | | | | |

* Units manufactured before April 2003 have -4 brake fields. After that date, remove -4 from part number of brake field for service part.