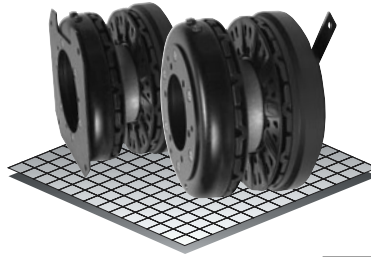


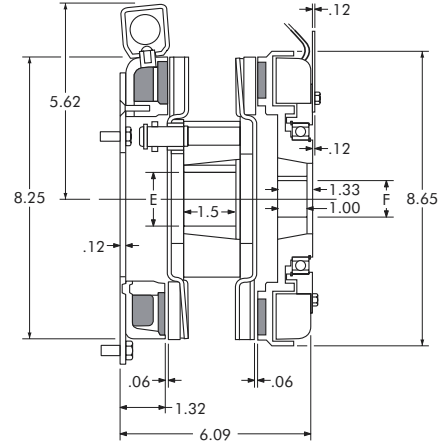
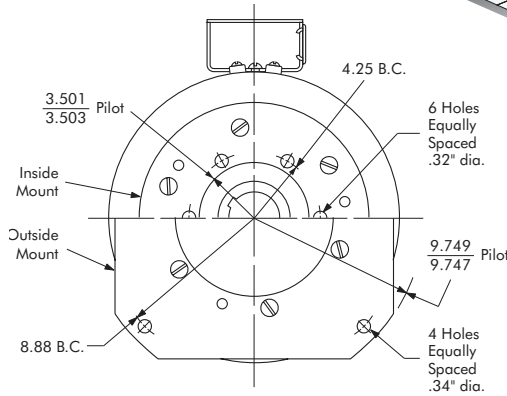
Clutch-Brake Coupling

Model

● 308



- ▶ Stationary Field
- ▶ Bearing Mounted
- ▶ Pin Drive



Bushing 1615

Bore "E"	Keyway	Part No.
1/2"	.500 .125 x .062	326015 - 1
9/16"	.562 .125 x .062	326015 - 2
5/8"	.625 .187 x .093	326015 - 3
11/16"	.687 .187 x .093	326015 - 4
3/4"	.750 .187 x .093	326015 - 5
13/16"	.812 .187 x .093	326015 - 6
7/8"	.875 .187 x .093	326015 - 7
15/16"	.937 .250 x .125	326015 - 8
1"	1.000 .250 x .125	326015 - 9
1-1/16"	1.062 .250 x .125	326015 - 10
1-1/8"	1.125 .250 x .125	326015 - 11
1-3/16"	1.187 .250 x .125	326015 - 12
1-1/4"	1.250 .250 x .125	326015 - 13
1-5/16"	1.312 .312 x .156	326015 - 14
1-3/8"	1.375 .312 x .156	326015 - 15
1-7/16"	1.437 .375 x .187	326015 - 16
1-1/2"	1.500 .375 x .187	326015 - 17
1-9/16"	1.562 .375 x .187	326015 - 18
1-5/8"	1.625 .375 x .187	326015 - 19
*1-3/8"	1.375 .375 x .125	326015 - 20
*1-5/8"	1.625 .375 x .125	326015 - 21

Bushing 1610

Bore "F"	Keyway	Part No.
1/2"	.500 .125 x .062	326642 - 1
9/16"	.562 .125 x .062	326642 - 2
5/8"	.625 .187 x .093	326642 - 3
11/16"	.687 .187 x .093	326642 - 4
3/4"	.750 .187 x .093	326642 - 5
13/16"	.812 .187 x .093	326642 - 6
7/8"	.875 .187 x .093	326642 - 7
15/16"	.937 .250 x .125	326642 - 8
1"	1.000 .250 x .125	326642 - 9
1-1/16"	1.062 .250 x .125	326642 - 10
1-1/8"	1.125 .250 x .125	326642 - 11
1-3/16"	1.187 .250 x .125	326642 - 12
1-1/4"	1.250 .250 x .125	326642 - 13
1-5/16"	1.312 .312 x .156	326642 - 14
1-3/8"	1.375 .312 x .156	326642 - 15
1-7/16"	1.437 .375 x .187	326642 - 16
1-1/2"	1.500 .375 x .187	326642 - 17
1-9/16"	1.562 .375 x .187	326642 - 18
1-5/8"	1.625 .375 x .187	326642 - 19

Technical Data and Torque (In. Lb.)

Model No.	Wt. Lbs.	Static Torque in. lb.	Max. Speed RPM	Coil Voltage vdc	* Rated Current amps	RPM									
						0	300	600	900	1200	1500	1800	2400	3000	3600
308	38.0	2100	3600	90	.57	2100	1848	1596	1428	1344	1260	1128	888	720	588

* Rated current at 90v.

Refer to Section M for torque and heat dissipation curves.

- Customer must maintain:
1. Concentricity between mounting flange and shaft within .010.
 2. Perpendicularity between mounting surface and shaft within .010.

Order Parts for Assembly No. FC308166-3 and FC308167-3

	Magnet Accessory	Armature Plate Assembly	Armature Hub Assembly	Magnet	Bearing Mounted Rotor & Field	(1615) Taper Bushing	(1610) Taper Bushing	FC308166-3		Ajusto-gap® Accessory
								Mounting Plate w/accy		
								Inside Mount	Outside Mount	
24 Volts	326078	308380	308450	308373	308773	326015-XX	326642-XX	308481	308491	326075
90 Volts	326078	308380	308450	308374	308774	326015-XX	326642-XX	308481	308491	326075

To order, specify:

- 1, Mounting Plate w/Accessories for either Inside Mount or Outside Mount
- 1, Magnet Accessory
- 2, Armature Plate Assemblies
- 1, Magnet of required Voltage
- 1, Taper Bushing (1615) of required Bore size
- 2, Ajusto-gap® Accessories
- 1, Armature Hub Assembly
- 1, Bearing Mounted Rotor & Field of required Voltage
- 1, Taper Bushing (1610) of required Bore size

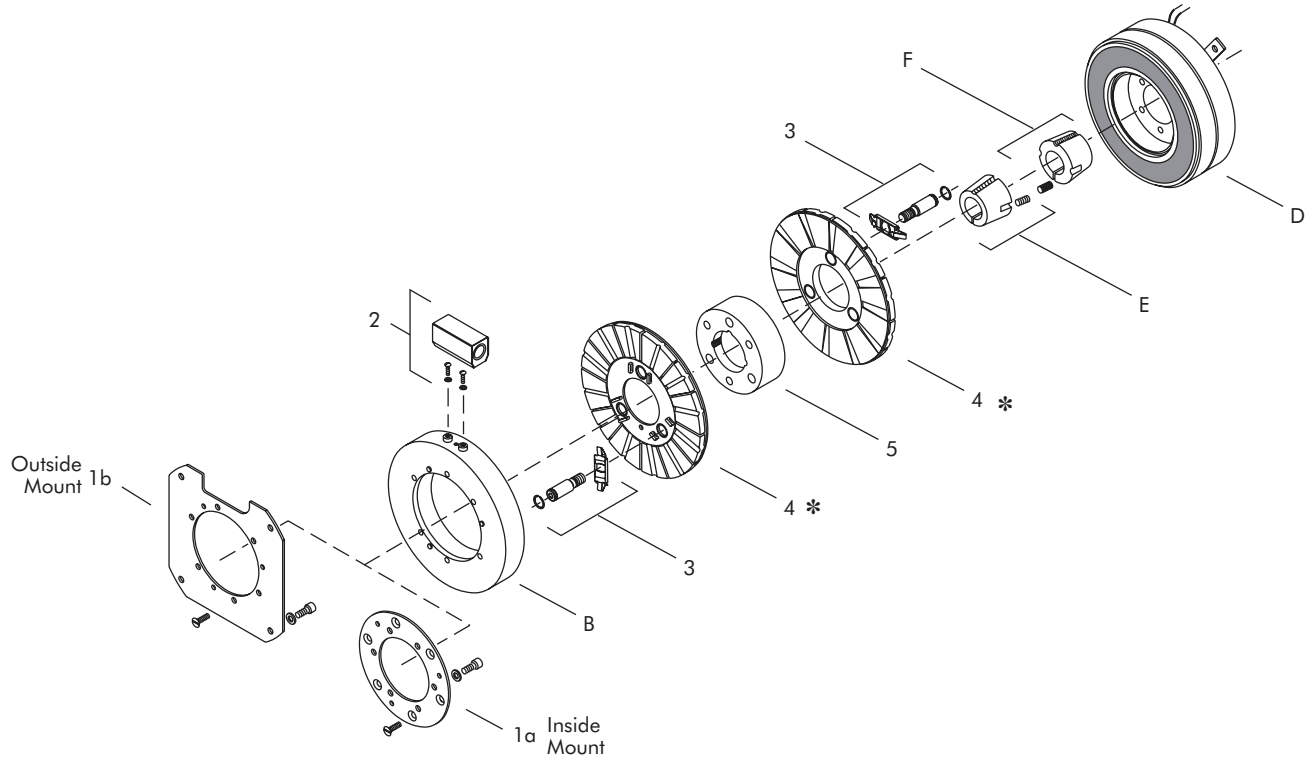
For controls, see Section K.

Sold & Serviced By:



Toll Free Phone (877) SERV098
Toll Free Fax (877) SERV099
www.electromate.com
sales@electromate.com

Clutch-Brake Coupling – Replacement Parts



Replacement Parts

Item	Qty.	Description	Part No.	Item	Qty.	Description	Part No.
1	1	Mounting Plate w/Accessory		D	1	Bearing Mounted Rotor & Field	
1a		Inside Mount	308481			24 Volts	308773
1b		Outside Mount	308491			90 Volts	308774
2	1	Brake Magnet Accessory	326078	E	1	Taper Bushing (1615)	326015-XX
3	2	Adjusto-gap® Accessory	326075	F	1	Taper Bushing (1610)	326642-XX
4	2	Armature Plate Assembly	308380				
5	1	Armature Hub	308450				
B	1	Magnet					
		24 Volts	308373				
		90 Volts	308374				

* Current design armatures are solid.

Sold & Serviced By:

 **ELECTROMATE**

Toll Free Phone (877) SERV098

Toll Free Fax (877) SERV099

www.electromate.com

sales@electromate.com