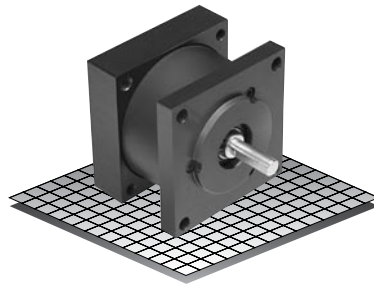


Bolt On Servo Brakes

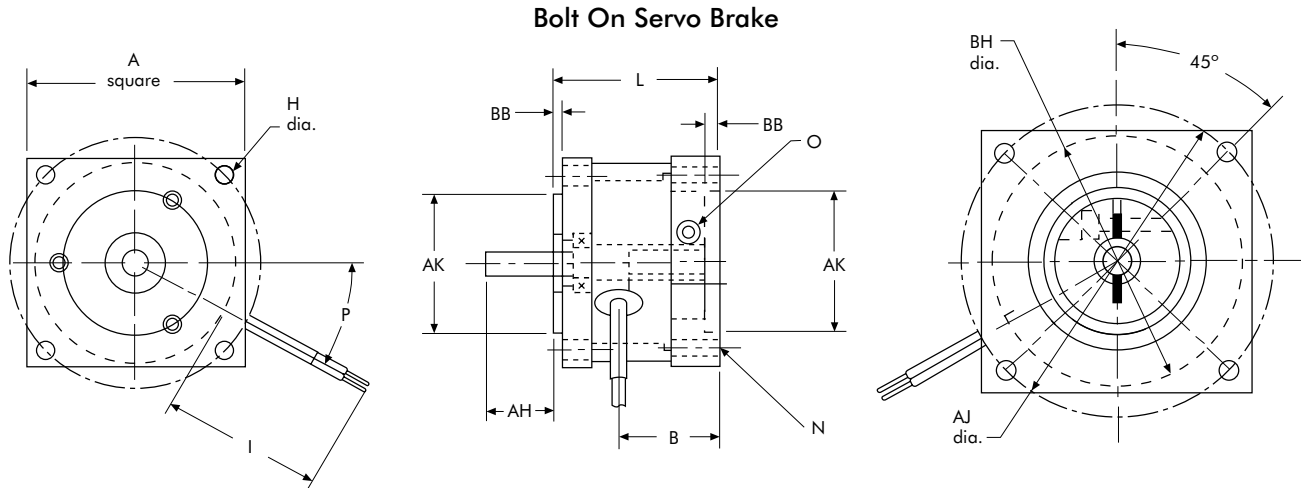
Enclosed Housing

Models

- SSBP-23-3
- SSBP-34-15
- SSBP-42-50



- ▶ Factory Assembled and Tested
- ▶ Clamp Collar Input
- ▶ 24 VDC
- ▶ Nema 23, 34 and 42



Dimensions

Model No.	Frame Size	Shaft & Hub Dia.	A	AH	AJ	AK	B	BB	BH	H	N	I	L	O	P
SSBP-23-3	23	1/4	2.25	0.70	2.625	1.500	1.18	0.10	2.13	(4X) .205	(4) #10-24-2B	16.75	1.865	#6-32	30°
SSBP-34-15	34	3/8	3.25	1.16	3.875	2.875	1.58	0.10	3.25	(4X) .222	(4) #10-24-2B	18.00	2.578	1/4-28	15°
SSBP-34-15	34	1/2	3.25	1.16	3.875	2.875	1.58	0.10	3.25	(4X) .222	(4) #10-24-2B	18.00	2.578	1/4-28	15°
SSBP-42-50	42	5/8	4.25	1.23	4.950	3.000	2.27	0.10	3.50	(4X) .320	(4) 1/4-20-2B	18.00	4.056	1/4-28	90°

Technical Data and Torque (In. Lb.)

Model No.	Wt. Lbs.	Static Torque In. Lbs.	Inertia Lb. In. ²	Voltage VDC	Amps	Ohms
SSBP-23-3	1.1	3	0.009	24	0.182	132
SSBP-34-15	2.9	15	0.112	24	0.369	65.1
SSBP-34-15	2.9	15	0.112	24	0.369	65.1
SSBP-42-50	6.0	50	0.206	24	0.717	35.5

	Model No.			
	SSBP-23-3	SSBP-34-15	SSBP-34-15	SSBP-42-50
Shaft Diameter	1/4	3/8	1/2	5/8
24 VDC	8923-2331	8934-2551	8934-2661	8942-2771

Sold & Serviced By:



Toll Free Phone (877) SERV098

Toll Free Fax (877) SERV099

B-38 www.electromate.com

sales@electromate.com