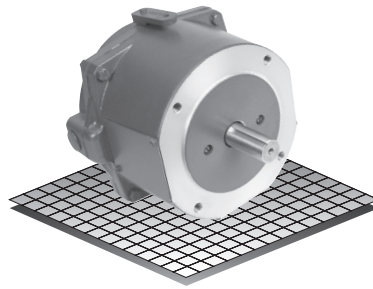


AC Motor Brakes

Enclosed Housing

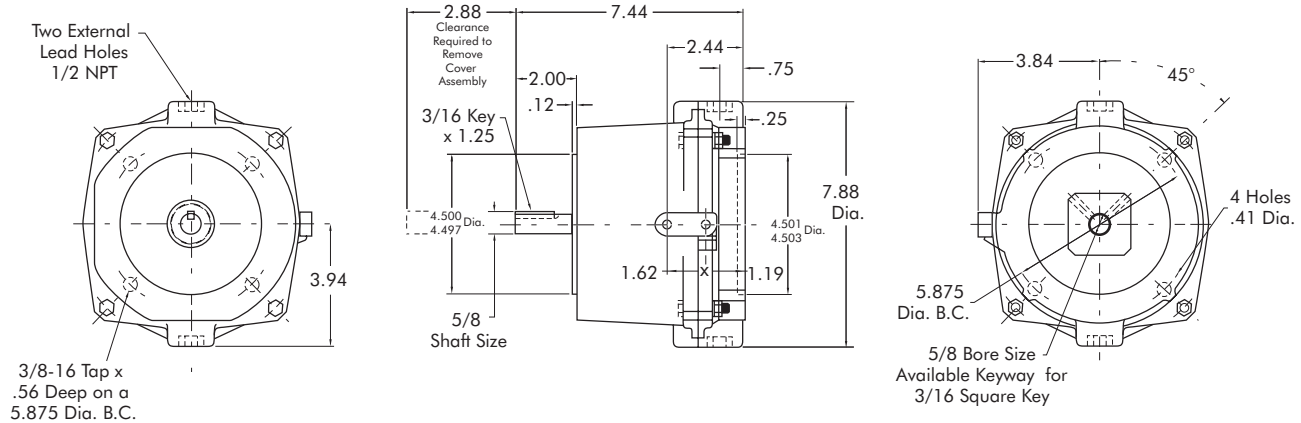
Models

- SSBP-56AC-3
- SSBP-56AC-6



- ▶ Factory Assembled and Tested
- ▶ Manual Release
- ▶ AC Power Off
- ▶ Coupler
- ▶ 56C

AC Coupler Brake



Technical Data and Torque (Ft. Lb.)

Model No.	Wt. Lbs.	Static Torque Ft. Lb.	SINGLE PHASE, 60 HZ			SINGLE PHASE, 60HZ		
			Voltage	Current Holding Amps	Current Inrush Amps	Voltage	Current Holding Amps	Current Inrush Amps
SSBP-56AC-3	13	3	115/230	.54/.27	4.8/2.4	230/460	.27/.13	2.6/1.3
SSBP-56AC-6	13	6						

	Model No.	
	SSBP-56AC-3	SSBP-56AC-6
115/230, 60HZ	M51A0321	M52A0621
230/460, 60HZ	M51A0324	M52A0624
Service Parts	All 3 Ft. Lb. Brakes	All 6 Ft. Lb. Brakes
Friction Disc Kit	327201	327202
Solenoid 115/230, 60HZ	327203	327203
Solenoid 230/460, 60HZ	327204	327204

Sold & Serviced By:



Motor is direct-coupled; not recommended for belted or other overhung load applications.

Toll Free Phone (877) SERV098

Toll Free Fax (877) SERV099

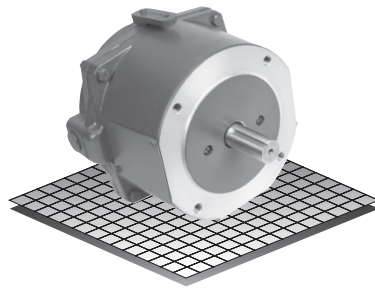
B-311 www.electromate.com

sales@electromate.com

Enclosed Housing

Model

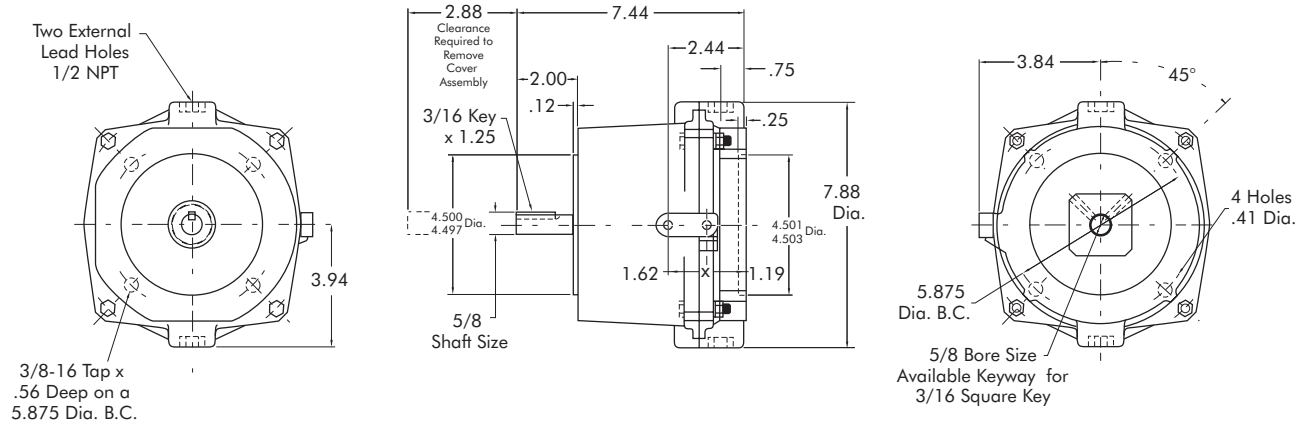
● SSBP-56AC-10



AC Motor Brakes

- ▶ Factory Assembled and Tested
- ▶ Manual Release
- ▶ AC Power Off
- ▶ Coupler
- ▶ 56C

AC Coupler Brake



Technical Data and Torque (Ft. Lb.)

Model No.	Wt. Lbs.	Static Torque Ft. Lb.	SINGLE PHASE, 60 HZ		
			Voltage	Current Holding Amps	Current Inrush Amps
SSBP-56AC-10	13	10	115/230	.54/.27	4.8/2.4

	Model No.
	SSBP-56AC-10
115/230, 60HZ	M52A0721
Service Parts	
Friction Disc Kit	327202
Solenoid 115/230, 60HZ	327203

Sold & Serviced By:



Use be direct-coupled; not recommended for belted or other overhung load applications.

Toll Free Phone (877) SERV098

Toll Free Fax (877) SERV099

www.electromate.com

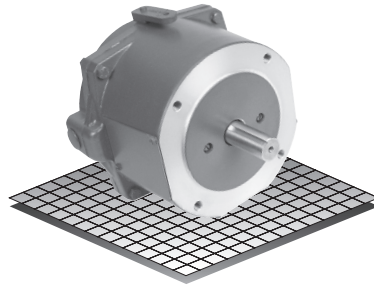
sales@electromate.com

AC Motor Brakes

Enclosed Housing

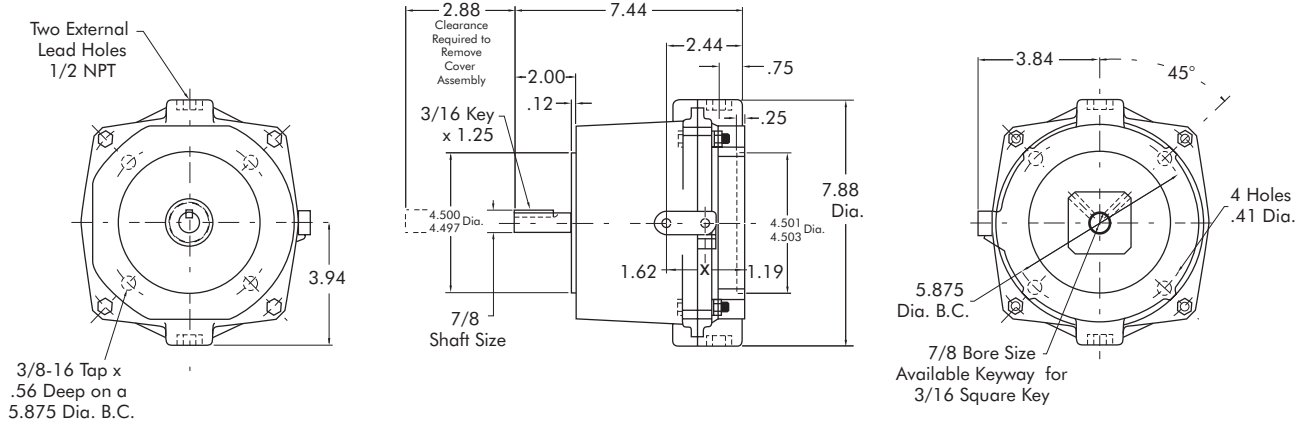
Models

- SSBP-145AC-6
- SSBP-145AC-10



- ▶ Factory Assembled and Tested
- ▶ Manual Release
- ▶ AC Power Off
- ▶ Coupler
- ▶ 145TC

AC Coupler Brake



Technical Data and Torque (Ft. Lb.)

Model No.	Wt. Lbs.	Static Torque Ft. Lb.	SINGLE PHASE, 60 HZ		
			Voltage	Current Holding Amps	Current Inrush Amps
SSBP-145AC-6	13	6	115/230	.54/.27	4.8/2.4
SSBP-145AC-10	13	10			

	Model No.	
	SSBP-145AC-6	SSBP-145AC-10
115/230, 60HZ	M52A0621	M52A0721
Service Parts		
Friction Disc Kit	327202	327202
Solenoid 115/230, 60HZ	327203	327203

Sold & Serviced By:



Must be direct-coupled; not recommended for belted or other overhung load applications.

Toll Free Phone (877) SERV098

Toll Free Fax (877) SERV099

B-36 www.electromate.com

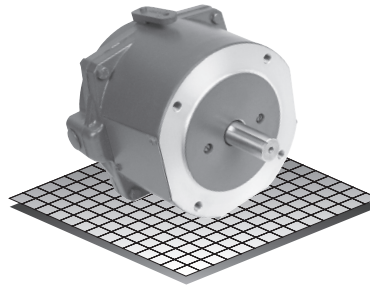
sales@electromate.com

Enclosed Housing

AC Motor Brakes

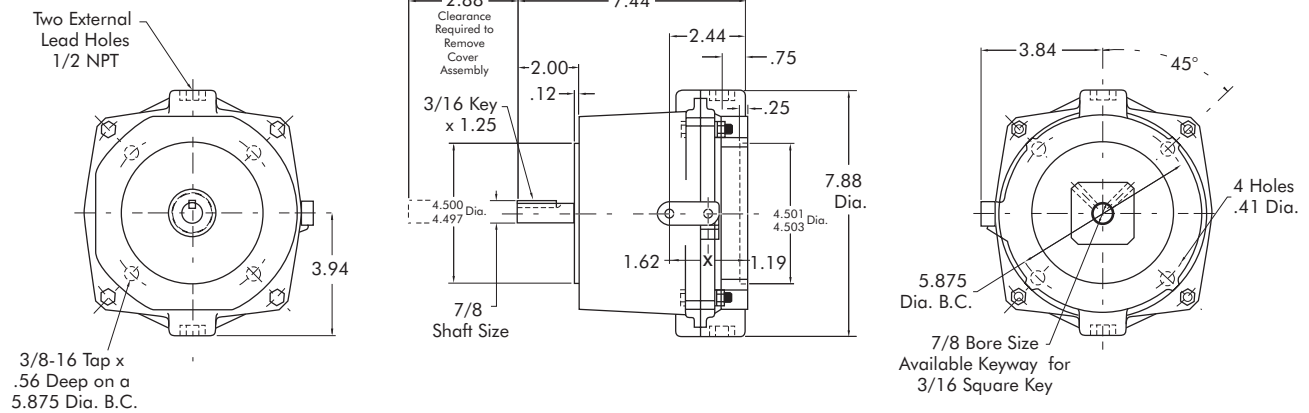
Model

● SSBP-145AC-10



- ▶ Factory Assembled and Tested
- ▶ Manual Release
- ▶ AC Power Off
- ▶ Coupler
- ▶ 145TC

AC Coupler Brake



Technical Data and Torque (Ft. Lb.)

Model No.	Wt. Lbs.	Static Torque Ft. Lb.	SINGLE PHASE, 60HZ		
			Voltage	Current Holding Amps	Current Inrush Amps
SSBP-145AC-10	13	10	230/460	.27/.13	2.6/1.3

	Model No.
	SSBP-145AC-10
230/460, 60HZ	M52C0724
Service Parts	All 10 Ft. Lb. Brakes
Friction Disc Kit	327202
Solenoid 230/460, 60HZ	327204

Sold & Serviced By:



Use direct-coupled; not recommended for belted or other overhung load applications.

Toll Free Phone (877) SERV098

Toll Free Fax (877) SERV099

www.electromate.com

sales@electromate.com