

UniOP eTOP306

The UniOP eTOP Series 300 combines state-of-the-art features and performance with an outstanding design. They are the ideal choice for HMI applications including factory and building automation. The eTOP306 features a bright 5.7" TFT display with LED backlight and full vector graphic capabilities. Connections include Ethernet and USB. The eTOP306 has been designed for cost-sensitive applications.



- 5.7" TFT color display, LED backlight
- 320x240 pixel (QGA) resolution, 64K colors
- Advanced vector graphics
- Resistive touchscreen
- 64 MB user memory
- 10/100 Ethernet interface
- USB interface
- Connection to bus systems using optional plug-in modules
- Slim design. Mounting depth less than 50mm

Highlights

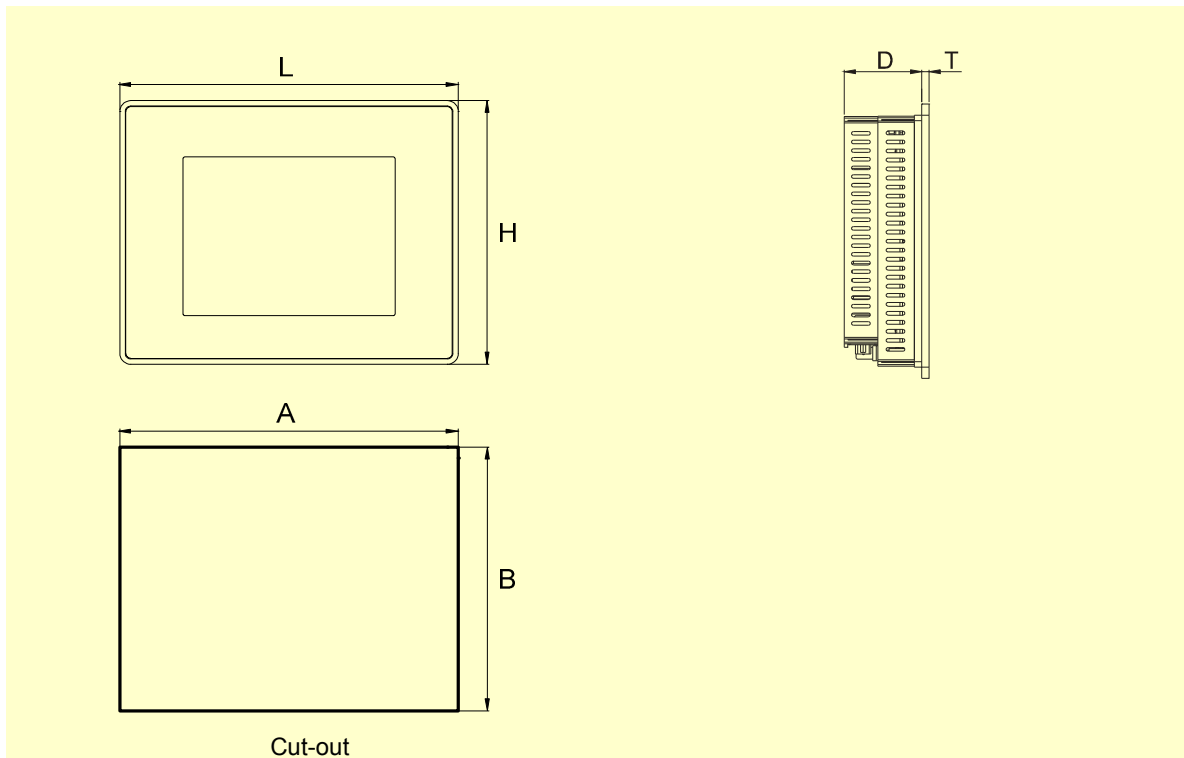
The eTOP Series 300 HMI panels are fully compatible with UniOP Designer 6 software.

- Powerful and intuitive programming with the UniOP Designer 6 software.
- Supports more than 150 communication drivers.
- Built-in Ethernet port for communication with devices, programming the HMI from Designer and retrieving data from computers.
- USB host port for the connection of flash drives. Flash drives can be used for upgrading applications and firmware.
- Optional plug-in modules for fieldbus systems and networks. Compatible with TCM and SCM modules.
- Dual-driver communication capability.
- Vector graphic capabilities including the support of multiple layers and object transparency.
- Data display in numerical, text, bargraph, analog gauges and graphic image formats. Dynamic object properties supported.
- Data acquisition and trend presentation. Trend data can be transferred to a host computer using the Ethernet connection.
- Recipe data storage. Recipe data can be transferred to a host computer using the Ethernet connection or copied to flash drives via USB connection.
- Multilanguage applications. Far East languages are supported. The number of runtime languages is limited only by the available memory. All text information in the application can be exported to files in Unicode format for easier translation.
- Powerful macro editor to configure touchscreen operation
- Alarms and historical alarm list. Alarm and event information can be printed or transferred to a host computer.
- Eight level password protection.
- Report printing to serial printer. Reports are freely configurable using Designer.
- Ethernet-based UniNet network to share data between UniOP HMIs and to serve data using UniNet OPC Server.

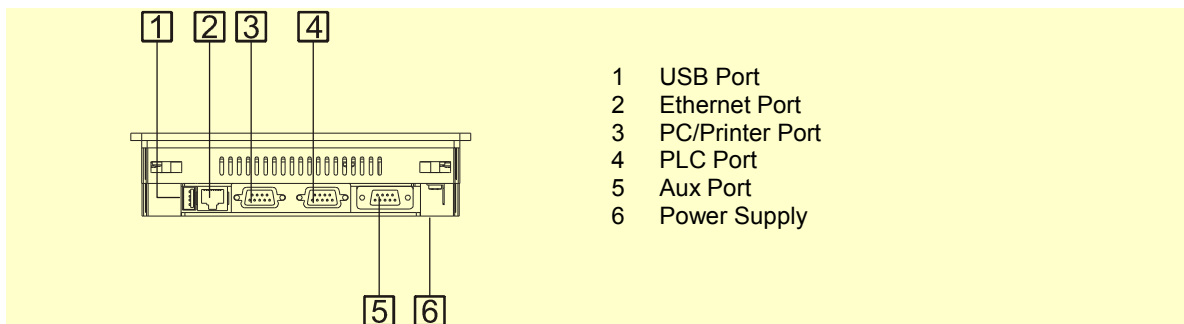
Technical Data

Display		Hardware Real Time Clock	Yes, with battery back-up
Type	TFT	Screen saver	Yes
Resolution	320x240, QVGA	Buzzer	Yes, audible feedback for touchscreen
Active display area	5.7" diagonal		
Colors	64K	Ratings	
Backlight	LED	Power supply voltage	24 V DC (18 to 30 Vdc)
Brightness	130 Cd/m ² typ.	Current consumption	0.55 A at 24Vdc(max.)
Dimming	Yes	Fuse	Automatic
		Weight	Approx 1.0 Kg
		Battery	Rechargeable Lithium battery, not user-replaceable
Memory			
User memory	64 MB internal Flash	Environmental Conditions	
		Operating temperature	0 to 50 °C
Front panel		Storage temperature	-20 to +70 °C
Touchscreen	Analog resistive	Operating and storage humidity	5 – 85 % relative humidity, non-condensing
User LED indicators	1	Protection class	IP65 (front panel) IP20 (rear)
System LED indicators	4		
Interfaces		Dimensions	
Ethernet port	10/100 Mbit	Faceplate LxH	187x147 mm (7.36x5.79")
USB port	Host interface, version 1.1	Cutout AxB	176x136 mm (6.93x5.35")
PC/Printer port	RS-232, RS-485, RS-422, software configurable	Depth D+T	45+4 mm (1.77+0.16")
PLC port	RS-232, RS-485, RS-422, software configurable		
Aux port	Yes, fieldbus and controller modules	Approvals	
		CE	Emission EN 61000-6-4 Immunity EN 61000-6-2 for installation in industrial environments
Functionality		UL	UL508 Listed Haz. Loc. Class I, Division 2, Groups A,B,C and D.
Vector graphics	Yes		
Object dynamics (hide/show)	Yes		
TrueType fonts	Yes		
Dual driver capability	Yes		
Video input	No		
Data acquisition and trends	Yes		
Multilanguage	Yes, number of run-time languages limited only by available memory		
Recipe memory	Yes. Flash memory storage limited only by available memory		
UniNet network	Client/Server		
Alarms	1024		
Event list	1024		
Password	Yes		

Dimensions



Connections



- 1 USB Port
- 2 Ethernet Port
- 3 PC/Printer Port
- 4 PLC Port
- 5 Aux Port
- 6 Power Supply

Ordering Information

eTOP306	ETOP306U101	5.7" TFT color touchscreen with Ethernet and USB interfaces. White front panel.
	ETOP306U201	5.7" TFT color touchscreen with Ethernet and USB interfaces. Silver front panel.
	ETOP306U301	5.7" TFT color touchscreen with Ethernet and USB interfaces. Black front panel.
PROT-12		Disposable protection foil for 5.7" and 7" eTOP touch panels (10 pieces).
PROT-18		Disposable protection foil for 5.7" and 7" eTOP touch panels (10 pieces). UV resistant.

ptn300

Ver. 1.6

Copyright © 2009-2014 Exor International S.p.A. – Verona, Italy

Subject to change without notice

The information contained in this document is provided for informational purposes only. While efforts were made to verify the accuracy of the information contained in this documentation, it is provided "as is" without warranty of any kind.

www.uniop.com

ptn0300-6.doc - 17.02.2014

UniOP eTOP306

Sold & Serviced By:

 **ELECTROMATE**

Toll Free Phone (877) SERV098

Toll Free Fax (877) SERV099

www.electromate.com

sales@electromate.com