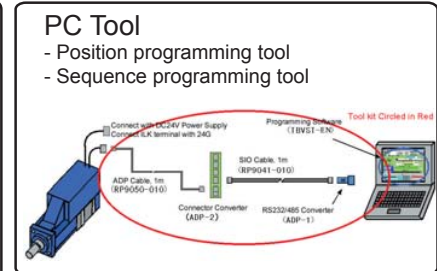
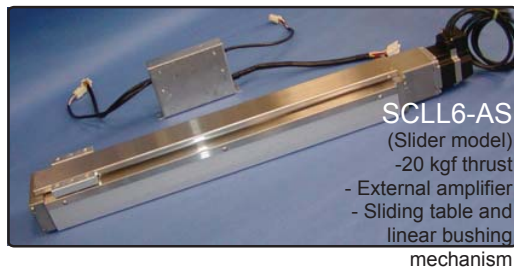


The versatile Mechatronics Cylinder series developed by Dyadic Systems is now available from US\$295. (cable sold separately)

This servo actuator system is unique in that the motor, encoder, drive and the program memory are one integral package. Dyadic has developed the linear actuator drive mechanism such that the screw and nut are optimized for high accuracy, long life and low cost-high performance. This blend of low-cost and high performance could only have been realized by the advanced technology of Dyadic Systems.

These new product concepts give engineers a wider range of options to **eliminate over-design**.



Products Specifications Overview

MODEL	SCN4-010-AS	SCN6-020-AB	SCN6-050-AB	SCN6-020-ABW	SCN6-050-ABW	SCLL6-020-AB	RSA0611	RSA0911		
Stroke (mm)	50~150	50~300	50~300	50~300	50~300	300~1,000	(90W)	(60W)		
Max. Thrust (N) / (kgf)	100 / 10.2	200 / 20.4	500 / 51.0	200 / 20.4	500 / 51.0	200 / 20.2	0.6 N·m	0.9 N·m		
Push mode max. Thrust (N)/(kgf)	70 / 7.1	140 / 14.2	350 / 35.5	140 / 14.2	350 / 35.5	140 / 14.2	-	-		
Max. Speed (mm/s) * Typ. Data	400	200	100	200	100	300	4,500 RPM	3,500 RPM		
Repeatability (mm)	± 0.1									
Backlash (mm)	0.3									
Radial Load Capacity (N)	5~15	10~30	12~75	10~30	12~75	-	49 Max.			
Rod Diameter (mm)	Ø15	Ø22	Ø22	Ø22	Ø22	-	-			
Rod Tip Thread	M10 Nylon	M14 SS	M14 SS	M14 SS	M14 SS	-	-			
Program Capacity	16 Positionings									
Power Supply	DC24V ± 10%									
Life	Current	Max. 2.0 Amps	Drive Power max. 3.0 Amps, Control power max. 0.2A							
	Other than seal	3 years after delivery or 10,000 km operation when applied within published specs								
I/O	Parallel Input	DC24V type DI/DO Interface (Connector PIO), Position number (4bit binary: PC1,PC2,PC4,PC8)					same as SCN6			
	Parallel Output	Names	Start (CSTR), Axis Movement Interlock (ILK)					Servo ON, +/- Rotation prohibit		
		Input current	Max. 4mA / port							
Serial Signal	Names	DC24V type DI/DO Interface (Connector PIO), Position complete(PFIN/INP), Completed Position Number (4bit binary: PM1,PM2,PM4,PM8), Homed signal(ZFIN), Zone signal(ZONE), Alarm (ALM)								
	Output current	Max. 10mA / port								
	Serial Interface	Serial Interface (Connector SIO) +5V, 5G, S+, S-								
Protection function	Over speed, Main power over voltage, Voltage fault, Overload, Sensor fault, Servo fault, Encoder wire disconnected									
Ambience	Temp., Humidity	Operating Temp.: 0 ~ 40°C, Storage Temp.: -20 ~ 60°C, Ope/Storage Humidity: Smaller than 90% RH, Non-condensing								
	Vibration	2.5G / 10G (2 times)								
	Protection	IP-40 equivalent		IP-54 equivalent			-	IP-40 equivalent		
Weight (kgs)	1~1.2	1.6~3.1	1.9~3.4	1.6~3.1	1.9~3.4	3.7~10.7				
Functions	- Positioning with speed, Accel.		- Stroke Limit end set		- Push Force Mode					
	- Home Direction Set		- Zone Signal output		- Servo Gain Adjust					
	- Incremental movement		- Complete signal width set		- Suitable Auto Max. Accel.					

Sold & Serviced By:



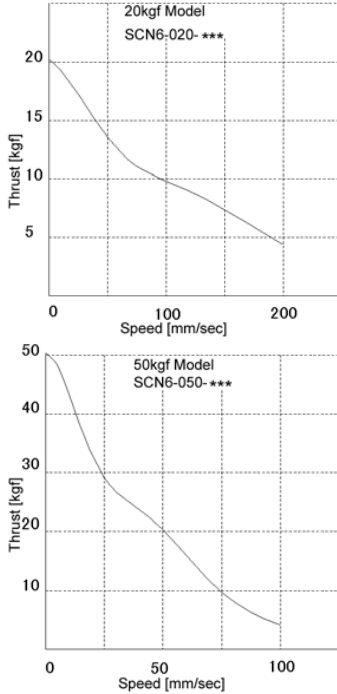
Toll Free Phone (877) SERV098

Toll Free Fax (877) SERV099

www.electromate.com

sales@electromate.com

Speed-Thrust Curve



Mechatronics Cylinder line is now expanded to include 20 kgf and 50 kgf models.

Each model has Dust-proof type option, which is sealed at the shaft outlet with muffler on the Aluminum extrusion housing.



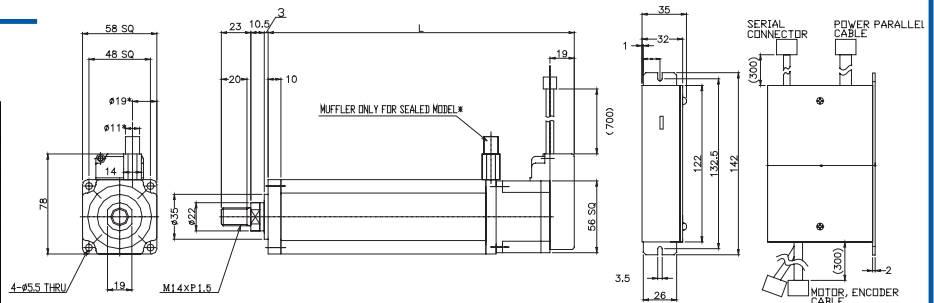
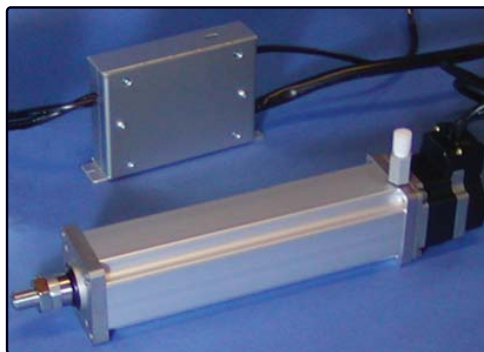
Dyadic's Mechatronics Cylinder has come up with their own memory - a relay contact, push button, or PLC output can be used to initiate the programmed motion profile. Stainless steel shaft thread is standard to carry heavy load.

Specifications

MODEL	SCN6-020-050	SCN6-020-100	SCN6-020-150	SCN6-020-200	SCN6-020-250	SCN6-020-300	SCN6-050-050	SCN6-050-100	SCN6-050-150	SCN6-050-200	SCN6-050-250	SCN6-050-300	
Price	Standard -AB Dustproof -ABW	US\$440 US\$590	US\$530 US\$680	US\$620 US\$770	US\$720 US\$870	US\$820 US\$970	US\$920 US\$1,070	US\$470 US\$610	US\$560 US\$700	US\$650 US\$790	US\$750 US\$890	US\$850 US\$990	US\$950 US\$1,090
Stroke (mm)	50	100	150	200	250	300	50	100	150	200	250	300	
Max. Thrust (N) / (kgf)	200 / 20.4						500 / 51.0						
Push mode max. Thrust (N)/(kgf)	140 / 14.2						350 / 35.5						
Max. Speed (mm/s) * Typ.	200						100						
Radial Load Capacity (N)	30	20	10	10	10	10	75	50	25	18	15	12	
Rod Diameter (mm)	Ø 22												
Rod Tip Thread	M14 Pitch 1.5 (303SS)												
Ambience Protection	IP-40 equivalent (Standard), IP-54 (Dust proof sealed model)												
Weight (Kgs)	1.6	1.9	2.2	2.5	2.8	3.1	1.9	2.2	2.5	2.8	3.1	3.4	

Dimensions

Dust Proof (Sealed) Model



MODEL	STROKE	L	MODEL	STROKE	L
SCN6-020-050-A(W*)	50	189	SCN6-020-200-A(W*)	50	339
SCN6-050-050-A(W*)	50	201	SCN6-050-200-A(W*)	50	351
SCN6-020-100-A(W*)	100	239	SCN6-020-250-A(W*)	100	389
SCN6-050-100-A(W*)	100	251	SCN6-050-250-A(W*)	100	401
SCN6-020-150-A(W*)	150	289	SCN6-020-300-A(W*)	150	439
SCN6-050-150-A(W*)	150	301	SCN6-050-300-A(W*)	150	451

Sold & Serviced By:



Toll Free Phone (877) SERV098

Toll Free Fax (877) SERV099

www.electromate.com

sales@electromate.com