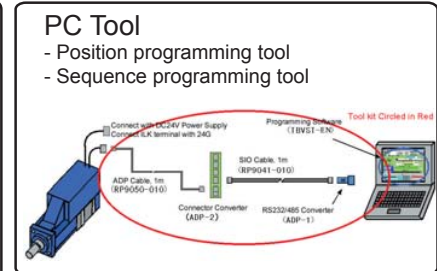
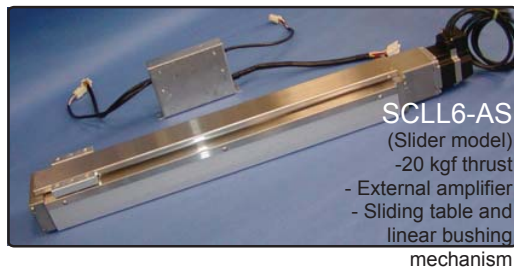


## The versatile Mechatronics Cylinder series developed by Dyadic Systems is now available from US\$295. (cable sold separately)

This servo actuator system is unique in that the motor, encoder, drive and the program memory are one integral package. Dyadic has developed the linear actuator drive mechanism such that the screw and nut are optimized for high accuracy, long life and low cost-high performance. This blend of low-cost and high performance could only have been realized by the advanced technology of Dyadic Systems.

These new product concepts give engineers a wider range of options to **eliminate over-design**.



### Products Specifications Overview

MODEL	SCN4-010-AS	SCN6-020-AB	SCN6-050-AB	SCN6-020-ABW	SCN6-050-ABW	SCLL6-020-AB	RSA0611	RSA0911		
Stroke (mm)	50~150	50~300	50~300	50~300	50~300	300~1,000	(90W)	(60W)		
Max. Thrust (N) / (kgf)	100 / 10.2	200 / 20.4	500 / 51.0	200 / 20.4	500 / 51.0	200 / 20.2	0.6 N·m	0.9 N·m		
Push mode max. Thrust (N)/(kgf)	70 / 7.1	140 / 14.2	350 / 35.5	140 / 14.2	350 / 35.5	140 / 14.2	-	-		
Max. Speed (mm/s) * Typ. Data	400	200	100	200	100	300	4,500 RPM	3,500 RPM		
Repeatability (mm)	± 0.1									
Backlash (mm)	0.3									
Radial Load Capacity (N)	5~15	10~30	12~75	10~30	12~75	-	49 Max.			
Rod Diameter (mm)	Ø15	Ø22	Ø22	Ø22	Ø22	-	-			
Rod Tip Thread	M10 Nylon	M14 SS	M14 SS	M14 SS	M14 SS	-	-			
Program Capacity	16 Positionings									
Power Supply	DC24V ± 10%									
Life	Current	Max. 2.0 Amps	Drive Power max. 3.0 Amps, Control power max. 0.2A							
	Other than seal	3 years after delivery or 10,000 km operation when applied within published specs								
I/O	Parallel Input	Names DC24V type DI/DO Interface (Connector PIO), Position number (4bit binary: PC1,PC2,PC4,PC8)					same as SCN6			
	Parallel Output	Input current	Max. 4mA / port					Servo ON, +/- Rotation prohibit		
		Names	DC24V type DI/DO Interface (Connector PIO), Position complete(PFIN/INP), Completed Position Number (4bit binary: PM1,PM2,PM4,PM8), Homed signal(ZFIN), Zone signal(ZONE), Alarm (ALM)							
Serial Signal	Output current	Max. 10mA / port								
Protection function	Serial Interface (Connector SIO) +5V, 5G, S+, S-									
Ambience	Temp., Humidity	Over speed, Main power over voltage, Voltage fault,								
	Vibration	Overload, Sensor fault, Servo fault, Encoder wire disconnected								
	Protection	Operating Temp.: 0 ~ 40°C, Storage Temp.: -20 ~ 60°C, Ope/Storage Humidity: Smaller than 90% RH, Non-condensing								
Weight (kgs)	1~1.2	1.6~3.1	1.9~3.4	1.6~3.1	1.9~3.4	3.7~10.7	IP-40 equivalent			
Functions	IP-40 equivalent		IP-54 equivalent		-		IP-40 equivalent			
	- Positioning with speed, Accel.		- Stroke Limit end set		- Push Force Mode					
	- Home Direction Set		- Zone Signal output		- Servo Gain Adjust					
	- Incremental movement		- Complete signal width set		- Suitable Auto Max. Accel.					

Sold & Serviced By:

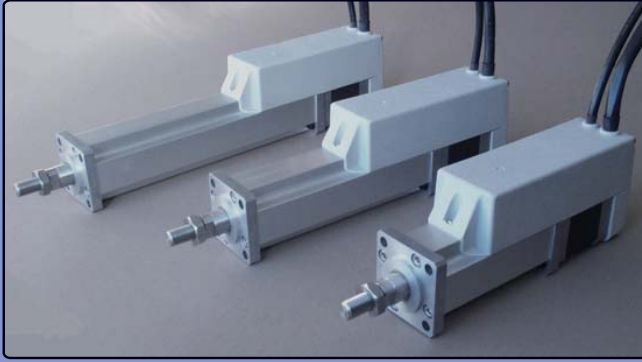


Toll Free Phone (877) SERV098

Toll Free Fax (877) SERV099

www.electromate.com

sales@electromate.com



The SCN5 model Mechatronics Cylinder has been introduced in response to popular demand for a compact, affordable servo linear actuator capable of long stroke and fabricated from aluminum.

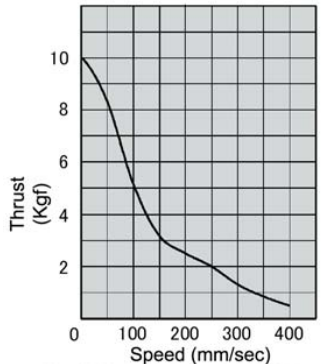
With speed up to 400mm/s and strokes up to 300mm the SCN5 is suited to a wide variety of applications. The extruded aluminum body and fiber-reinforced delrin electronics covers provide the toughness required in industrial environments.

The SCN5 offers the same control and feedback characteristics as the SCN4, can be connected in networks of up to 16 axes, and can be programmed from your PC or the Mechatronics Cylinder Pendants.

### Specifications

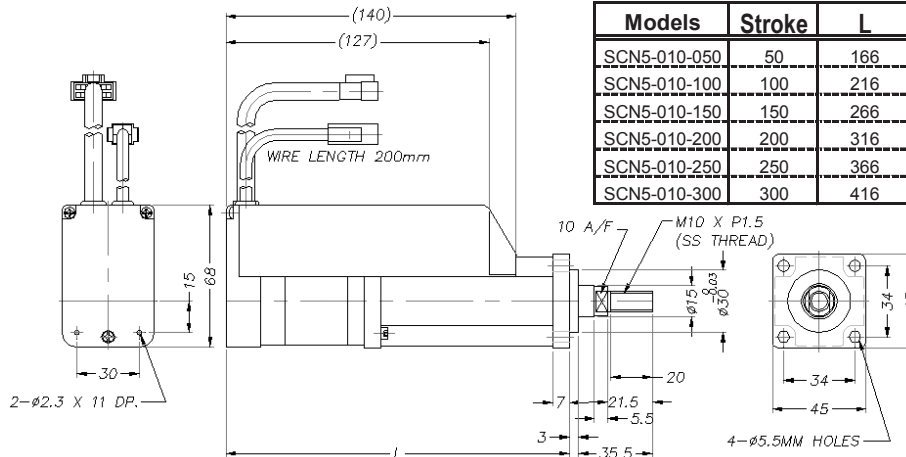
Models	SCN5-010-050AS03	SCN5-010-100AS03	SCN5-010-150AS03	SCN5-010-200AS03	SCN5-010-250AS03	SCN5-010-300AS03
Price	US\$325	US\$400	US\$475	US\$550	US\$625	US\$695
Stroke (mm)	50	100	150	200	250	300
Max. Thrust (N) / (kgf)	100 / 10.2					
Push mode Max. Thrust (N)/(kgf)	70 / 7.1					
Max. Speed (mm/s) * Typ.	400					
Radial Load Capacity (N)	15	10	5	4	3	2.5
Rod Diameter (mm)	Ø15					
Rod Tip Thread	M10 Pitch 1.25 (303SS)					
Weight (kgf)	1.1	1.2	1.4	1.6	1.8	2.0

### Speed-Thrust Curve



(Note) Vertical thrust is 7 kgf Max.

### Dimensions



### Accessories

\*\*\*\* Mirai Inter-Technologies Systems Ltd. \*\*\*\*

35 Pollard St., Richmond Hill, Ontario Canada L4B 1A8, www.miraiintertech.com  
Tel: (905)763-9442 Fax: (905)731-3165, e-mail: sales@miraiintertech.com



#### Parallel Cables (power & I/O)

RP9100-030: for SCN4 & 5 (\$45)  
RP9120-030: 3m for other M.S. (\$55)

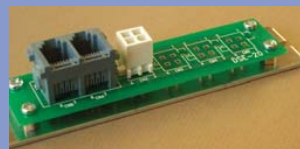
#### PC Tool Parts



RP9050-010: ADP cable ADP-1: 232/485 Adaptor



ADP-2:  
Connector  
junction



RP9041-010: SIO Cable



RP9170-: CTC33 I/O cable

I/O Terminal block



Sold & Serviced By:

 ELECTROMATE

Toll Free Phone (877) SERV098

Toll Free Fax (877) SERV099

www.electromate.com

sales@electromate.com