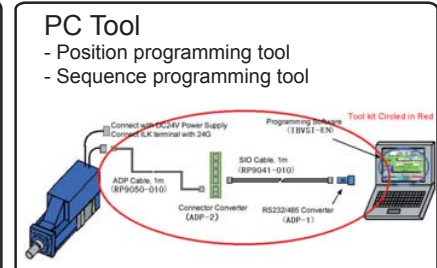
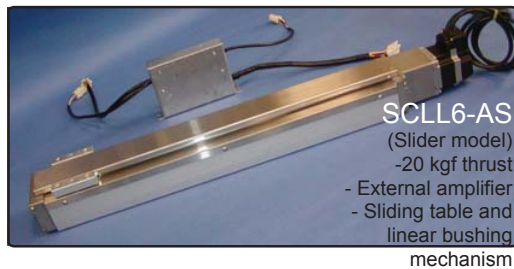


The versatile Mechatronics Cylinder series developed by Dyadic Systems is now available from US\$295. (cable sold separately)

This servo actuator system is unique in that the motor, encoder, drive and the program memory are one integral package. Dyadic has developed the linear actuator drive mechanism such that the screw and nut are optimized for high accuracy, long life and low cost-high performance. This blend of low-cost and high performance could only have been realized by the advanced technology of Dyadic Systems.

These new product concepts give engineers a wider range of options to **eliminate over-design**.



Products Specifications Overview

MODEL	SCN4-010-AS	SCN6-020-AB	SCN6-050-AB	SCN6-020-ABW	SCN6-050-ABW	SCLL6-020-AB	RSA0611	RSA0911	
Stroke (mm)	50~150	50~300	50~300	50~300	50~300	300~1,000	(90W)	(60W)	
Max. Thrust (N) / (kgf)	100 / 10.2	200 / 20.4	500 / 51.0	200 / 20.4	500 / 51.0	200 / 20.2	0.6 N·m	0.9 N·m	
Push mode max. Thrust (N)/(kgf)	70 / 7.1	140 / 14.2	350 / 35.5	140 / 14.2	350 / 35.5	140 / 14.2	-	-	
Max. Speed (mm/s) * Typ. Data	400	200	100	200	100	300	4,500 RPM	3,500 RPM	
Repeatability (mm)	± 0.1								
Backlash (mm)	0.3								
Radial Load Capacity (N)	5~15	10~30	12~75	10~30	12~75	-	49 Max.		
Rod Diameter (mm)	Ø15	Ø22	Ø22	Ø22	Ø22	-	-		
Rod Tip Thread	M10 Nylon	M14 SS	M14 SS	M14 SS	M14 SS	-	-		
Program Capacity	16 Positionings								
Power Supply	DC24V ± 10%								
Life	Current	Max. 2.0 Amps							
	Other than seal	Drive Power max. 3.0 Amps, Control power max. 0.2A							
Seals	3 years after delivery or 10,000 km operation when applied within published specs								
	6 months, or 2,500 km run (Dust Proof Model Only)								
I/O	Parallel Input	DC24V type DI/DO Interface (Connector PIO), Position number (4bit binary: PC1,PC2,PC4,PC8)						same as SCN6	
	Parallel Output	Start (CSTR), Axis Movement Interlock (ILK)						Servo ON, +/- Rotation prohibit	
Serial Signal	Input current	Max. 4mA / port							
	Output current	Max. 10mA / port							
Protection function	Over speed, Main power over voltage, Voltage fault, Overload, Sensor fault, Servo fault, Encoder wire disconnected								
Ambience	Temp., Humidity	Operating Temp.: 0 ~ 40°C, Storage Temp.: -20 ~ 60°C, Ope/Storage Humidity: Smaller than 90% RH, Non-condensing							
	Vibration	2.5G / 10G (2 times)							
Protection	IP-40 equivalent			IP-54 equivalent		-	IP-40 equivalent		
Weight (kgs)	1~1.2	1.6~3.1	1.9~3.4	1.6~3.1	1.9~3.4	3.7~10.7			
Functions	- Positioning with speed, Accel.		- Stroke Limit end set		- Push Force Mode				
	- Home Direction Set		- Zone Signal output		- Servo Gain Adjust				
	- Incremental movement		- Complete signal width set		- Suitable Auto Max. Accel.				

Sold & Serviced By:

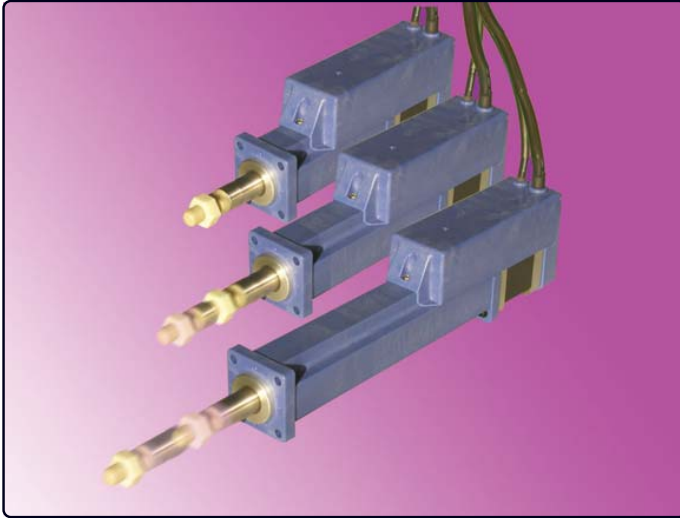
 **ELECTROMATE**

Toll Free Phone (877) SERV098

Toll Free Fax (877) SERV099

www.electromate.com

sales@electromate.com



SCN4 model Mechatronics Cylinder has been introduced to replace the 16mm bore (5/8") air cylinder.

The cost of Mechatronics Cylinder is equivalent to that of air cylinders with the calculation of air cylinder accessories such as F/L/R, speed control, limit sensors.

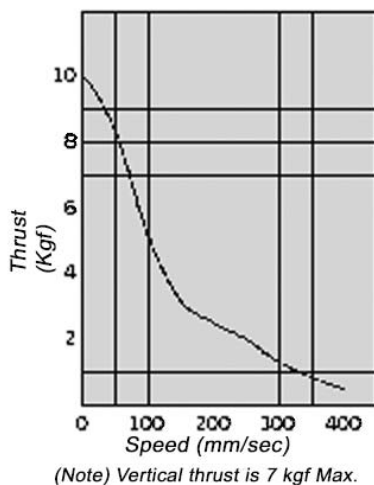
Mechatronics Cylinder has a lot more features than air cylinders, such as multiple positioning with programmable speed, acceleration, positioning completion signal output, speed profile, zone signal and more.

Servo systems are no longer only for special systems. It can be used for any motion control applications due to its lower price.

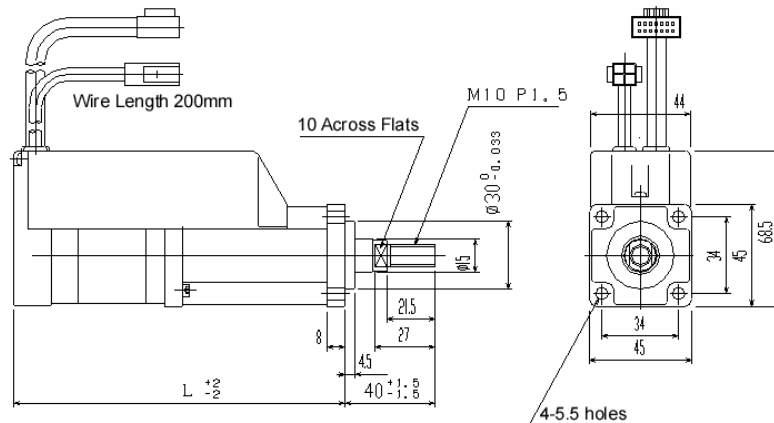
Specifications

MODEL	SCN4-010-050AS	SCN4-010-100AS	SCN4-010-150AS
Price	US\$295	US\$375	US\$455
Stroke (mm)	50	100	150
Max. Thrust (N) / (kgf)	100 / 10.2		
Push mode max. Thrust (N)/(kgf)	70 / 7.1		
Max. Speed (mm/s) * Typ.	400		
Radial Load Capacity (N)	15	10	5
Rod Diameter (mm)	Ø15		
Rod Tip Thread	Standard M10 Pitch 1.5 (Nylon) Option: M10 Pitch 1.25 (303SS) (Additional cost US\$10)		
Weight (kgf)	1.0	1.1	1.2

Speed-Thrust Curve



Dimensions



Product Model	Stroke	L
SCN4-010-050	50	165
SCN4-010-100	100	215
SCN4-010-150	150	265