



Sold & Serviced By:

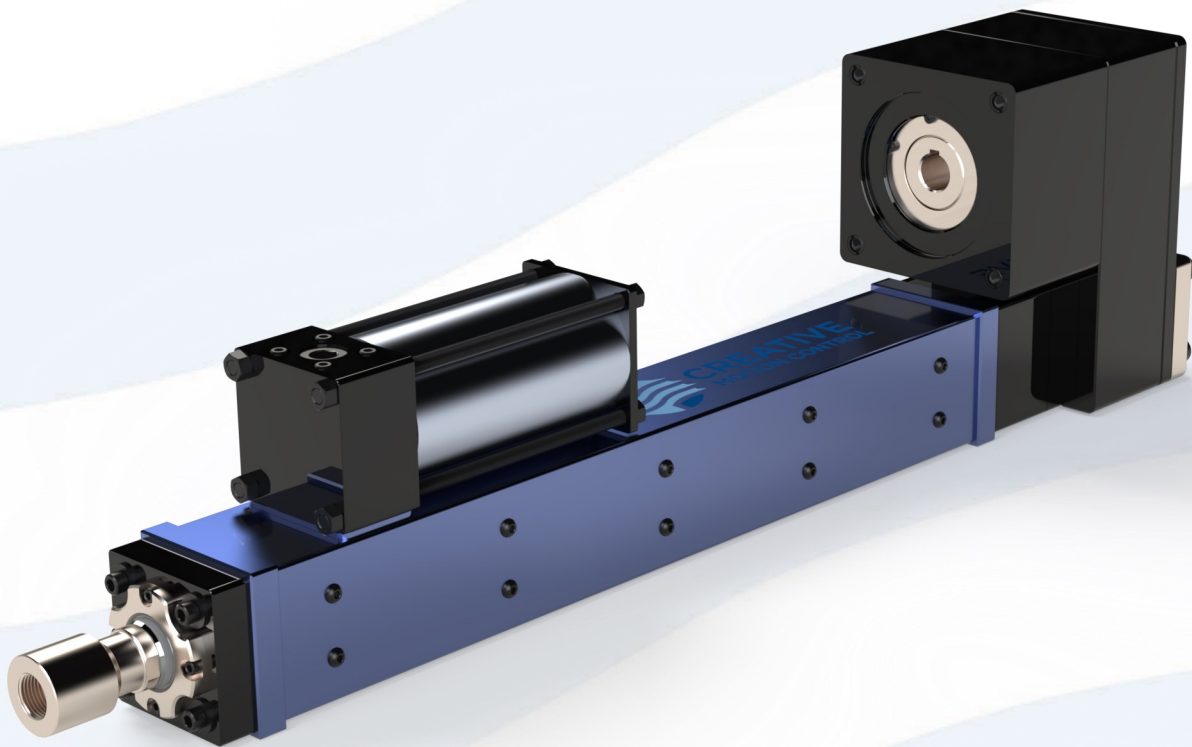


Toll Free Phone (877) SERV098
www.electromate.com
sales@electromate.com



CPD Actuators

Powerful, Maintenance-Free Roller Screw Actuators



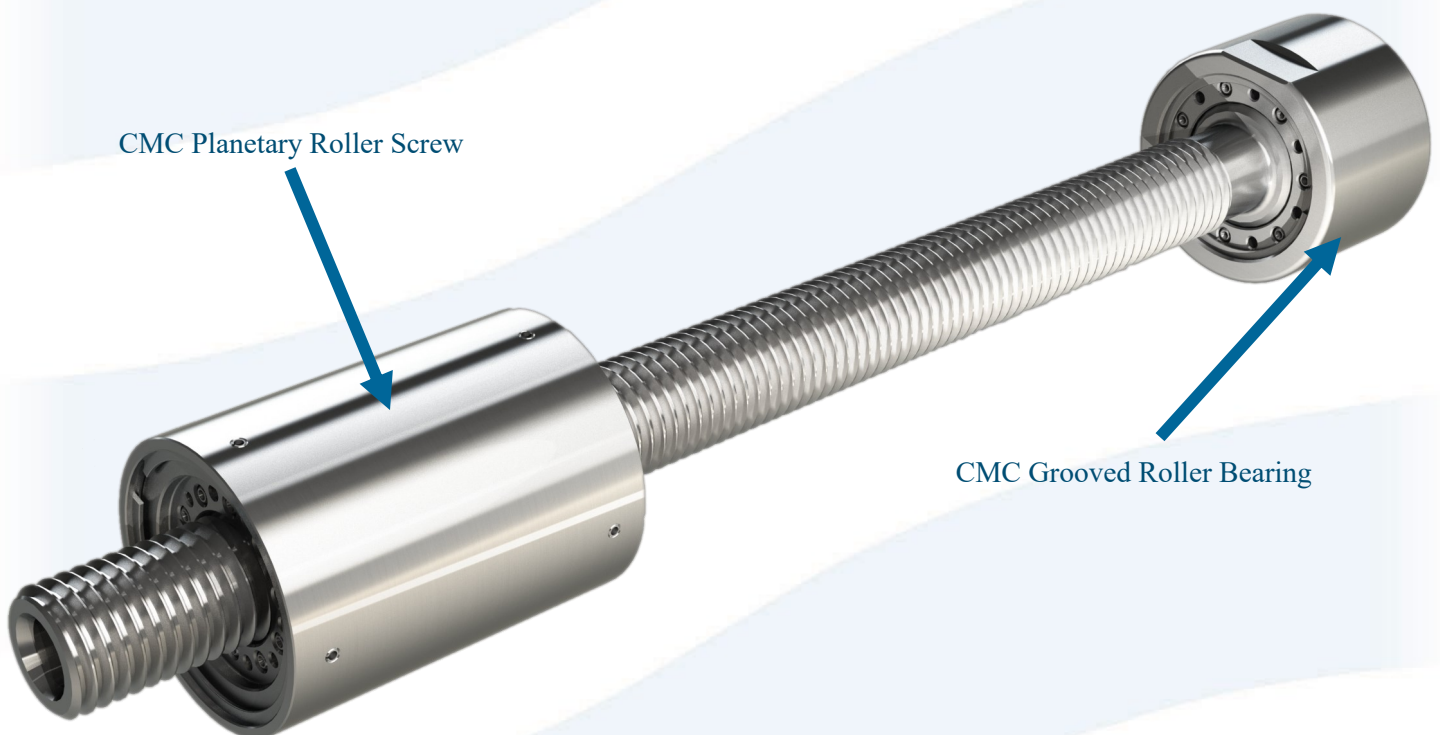
**COMPATIBLE WITH VIRTUALLY ANY SERVO
OR STEPPER MOTOR**

CREATIVE SOLUTIONS TO AUTOMATION'S MOST DEMANDING CHALLENGES

CPD Series' Unmatched Performance Advantages

Why are CPD Series actuators rated so much higher in max continuous dynamic force and max static force? First and foremost, because CMC's patented **Grooved Roller Bearing (GRB™) technology** enables dramatically higher loads, higher speeds and longer life in a much smaller package. The GRBs in CMC's actuators match the dynamic and static load capacities of the roller screws. A traditional bearing would be much too large to fit into the limited physical space of the actuator body to match the roller screw's capabilities.

In fact, every component in a CPD actuator is uniquely designed to handle the loads of the roller screw, both in a dynamic application and in a static application.

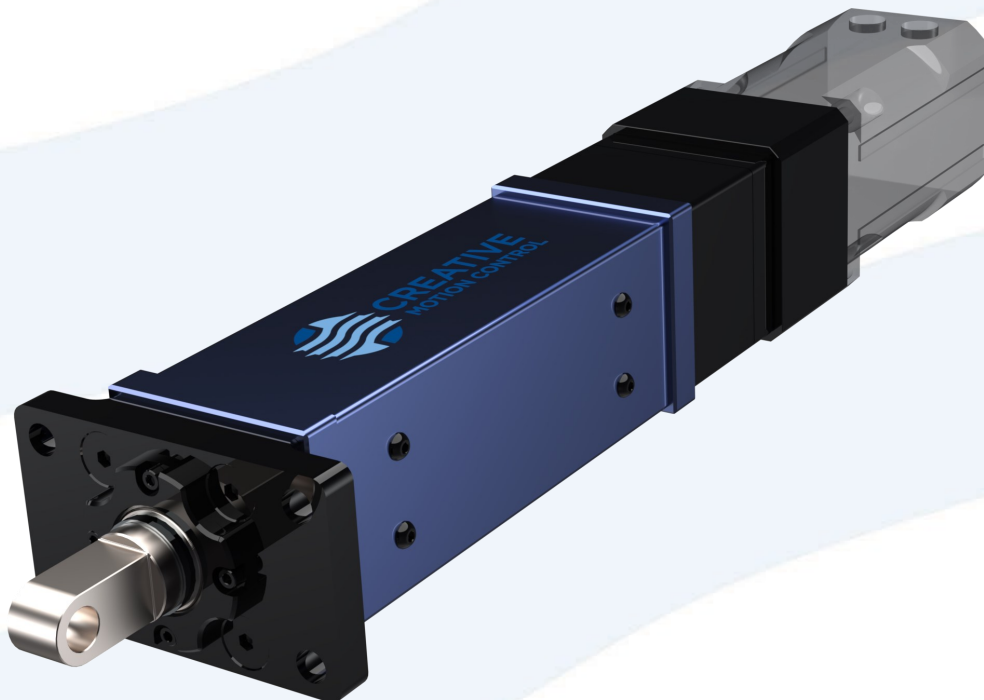


See CMC's Roller Screw and Grooved Roller Bearing catalogs for more detailed roller screw and bearing technical information.

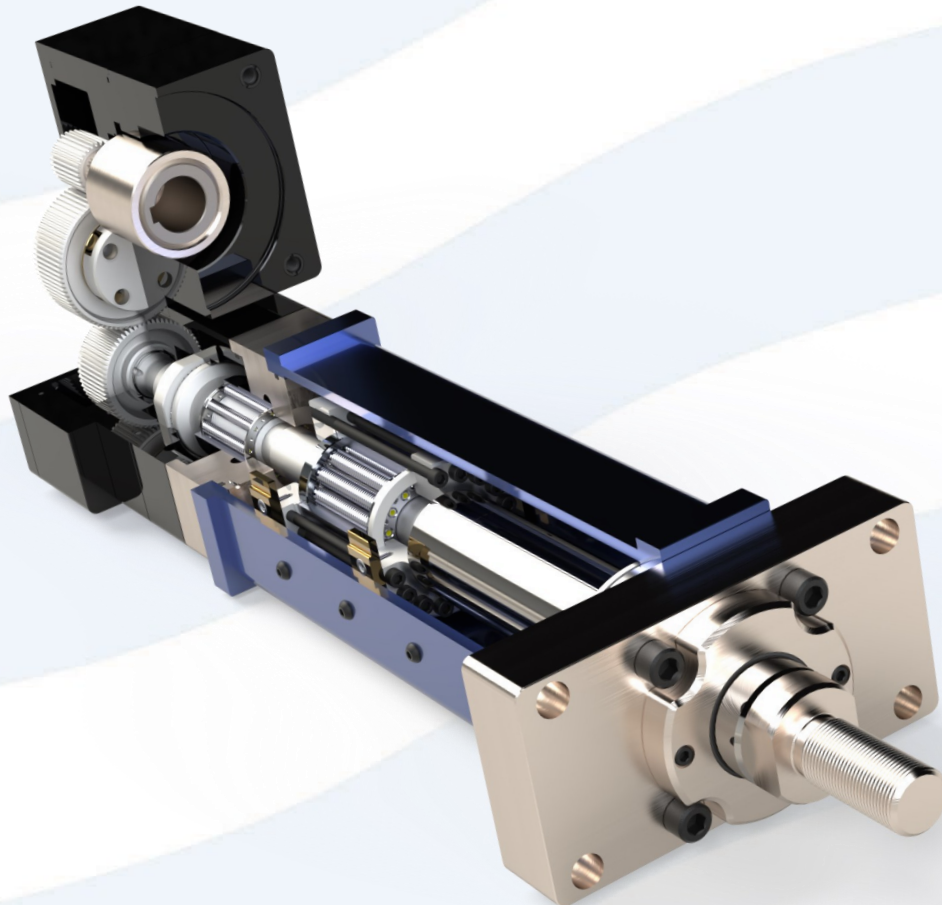
Performance Overview

Model	CPD-250	CPD-350	CPD-450	CPD-600	CPD-800
Frame Size (inches)	2.5	3.5	4.5	6	8
Max Continuous Dynamic Force (lbf)	6,750	14,220	30,600	54,000	95,000
Max Continuous Dynamic Force (kN)	30	63	136	240	423
Maximum Linear Speed (in/sec)	40	39	39	37	38
Maximum Linear Speed (mm/sec)	1016	991	991	940	965
Minimum Standard Stroke (in)	4	4	4	4	4
Maximum Standard Stroke (in)	24	36	36	48	48

NOTE: These values are the performance characteristics of the actuator itself, unrelated to limitations imposed by any specific motor.



CPD Roller Screw Actuators



Sold & Serviced By:



ELECTROMATE

Toll Free Phone (877) SERV098
www.electromate.com
sales@electromate.com