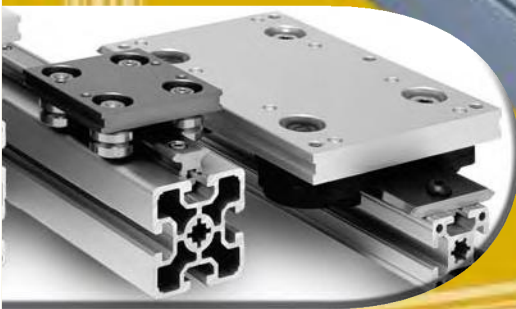


**NEW** – Additional Profiles  
and Mounting options

# HepcoMotion®

**MCS**  
aluminium frame and  
machine construction  
system including  
**MFS** fencing  
system



Sold & Serviced By:

 **ELECTROMATE**

Toll Free Phone (877) SERV098

Toll Free Fax (877) SERV099

[www.electromate.com](http://www.electromate.com)

[sales@electromate.com](mailto:sales@electromate.com)

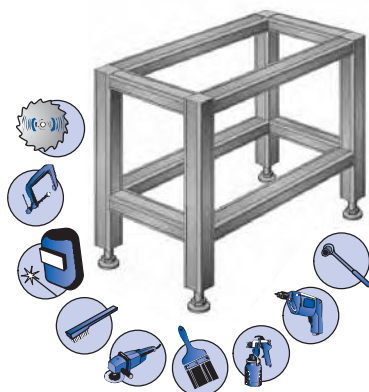
# Contents

## Contents

	<b>Page</b>
<b>Introduction</b>	<b>1</b>
<b>Application Examples</b>	<b>2</b>
<b>Details of Hepco's 3D Design Package</b>	<b>3</b>
<b>Aluminium Profiles – Structural Sections</b>	<b>4-15</b>
<b>Profile Connections</b>	<b>16-24</b>
<b>Accessories</b>	<b>25-34</b>
<b>MFS - Fencing System</b>	<b>35-40</b>
<b>Specialist Sections</b>	<b>41-43</b>
<b>Technical Details</b>	<b>44-53</b>
Aluminium Profile Technical Specification	
Deflection Calculations	
Moment of Inertia, Section Modulus and Mass of MCS System	
Choosing the correct MCS System Profile for your application	
Profile Connection Carrying Capacity	
Connection Cross Reference Chart	
Assembly Hints	
Machining Details	
<b>Profiles with Linear Slide options</b>	<b>54-64</b>
<b>Alphabetical Index</b>	<b>65</b>

### How the Hepco MCS System saves Time and Money

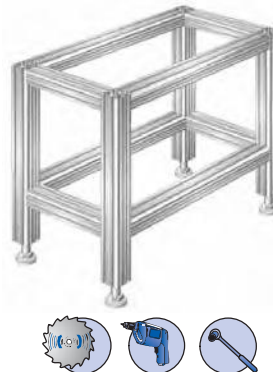
#### WELDED STEEL FRAMEWORK



350 minutes



#### MCS MACHINE CONSTRUCTION SYSTEM



100 minutes

Sold & Serviced By:

 **ELECTROMATE**

Toll Free Phone (877) SERV098

Toll Free Fax (877) SERV099

[www.electromate.com](http://www.electromate.com)

[sales@electromate.com](mailto:sales@electromate.com)

## Introduction

The **HepcoMotion MCS** System offers an extensive range of aluminium profile sections plus all the connecting elements and accessories the designer could need. These modular components allow an almost infinite possibility of frames to be constructed for use in industrial machinery, guarding, storage and display applications.

The latest addition to the product range is **Hepco's MFS** – Machine Fencing System (see page 35). Fully compatible with the MCS ranges it provides economical barriers around machine installations such as gantries, pick and place equipment, floor mounted robot systems or any areas where the exclusion of personnel is required.

Profile machining and frame assembly to customer's drawings is carried out by Hepco with fast deliveries. Alternatively, specific cut or random lengths can be supplied to customers enabling construction of their own system. Frame design and specification is aided by the use of the **MCS CAD 3D** files, available in .dwg and .dxf formats.

Aluminium profiles are manufactured from Al6063-T5 to very close tolerances, and clear coat anodised to a depth of 10 microns, ensuring that frames are both accurate and resistant to scratching or corrosion. All manufacture is covered by full ISO 9001 certification.

The MCS System is particularly effective at replacing traditional welded steel structures at lower overall cost due to the massive time saving involved. Flexibility is increased compared to welded structures, since all elements are re-usable and additions can easily be made to existing designs at any time. Many of the brackets and connecting elements in the MCS System can be used with no machining involved, for maximum simplicity.

Hepco's extensive range of linear systems can also be mounted directly onto the MCS Profile sections and can be pre assembled in our factory to ensure parallelism. Additional accessories including sliding door systems, locks, etc., are available on request.

A full range of polycarbonate panels, clear and coloured, compressed foam panels in various colours as well as welded wire mesh panels – self coloured or powder coated – are available to complete your framework design.

**Please contact our Technical Sales Team on**

### Symbols used in this Catalogue



Size of profile T-Slot – specify connecting components to suit



Profile End Tapping Size



Components compatible with other systems. Contact Hepco for details.

Sold & Serviced By:



The full range of HepcoMotion products can be seen on our website:

Toll Free Phone (877) SERV098

Toll Free Fax (877) SERV099

[www.electromate.com](http://www.electromate.com)

[sales@electromate.com](mailto:sales@electromate.com)



## Application Examples

### Areas of Application

- Special Purpose Machines
- Work Benches
- Robotic and Manipulating Systems
- Machine Guards/Protective Frameworks
- Fencing and Enclosures
- Assembly and Packaging Machinery
- Exhibition Display Units
- Shelving Systems



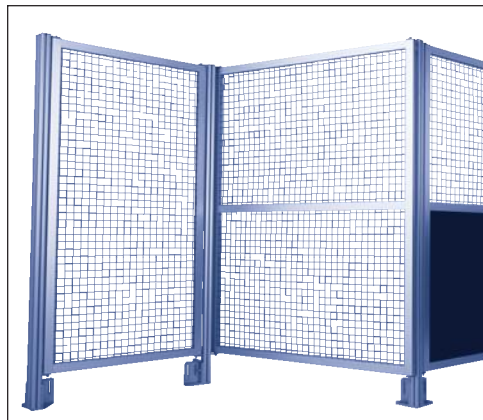
Exhibition Units



Special Purpose Machines



Access Frameworks



MFS – Machine Fencing System

Sold & Serviced By:



Toll Free Phone (877) SERV098

Toll Free Fax (877) SERV099

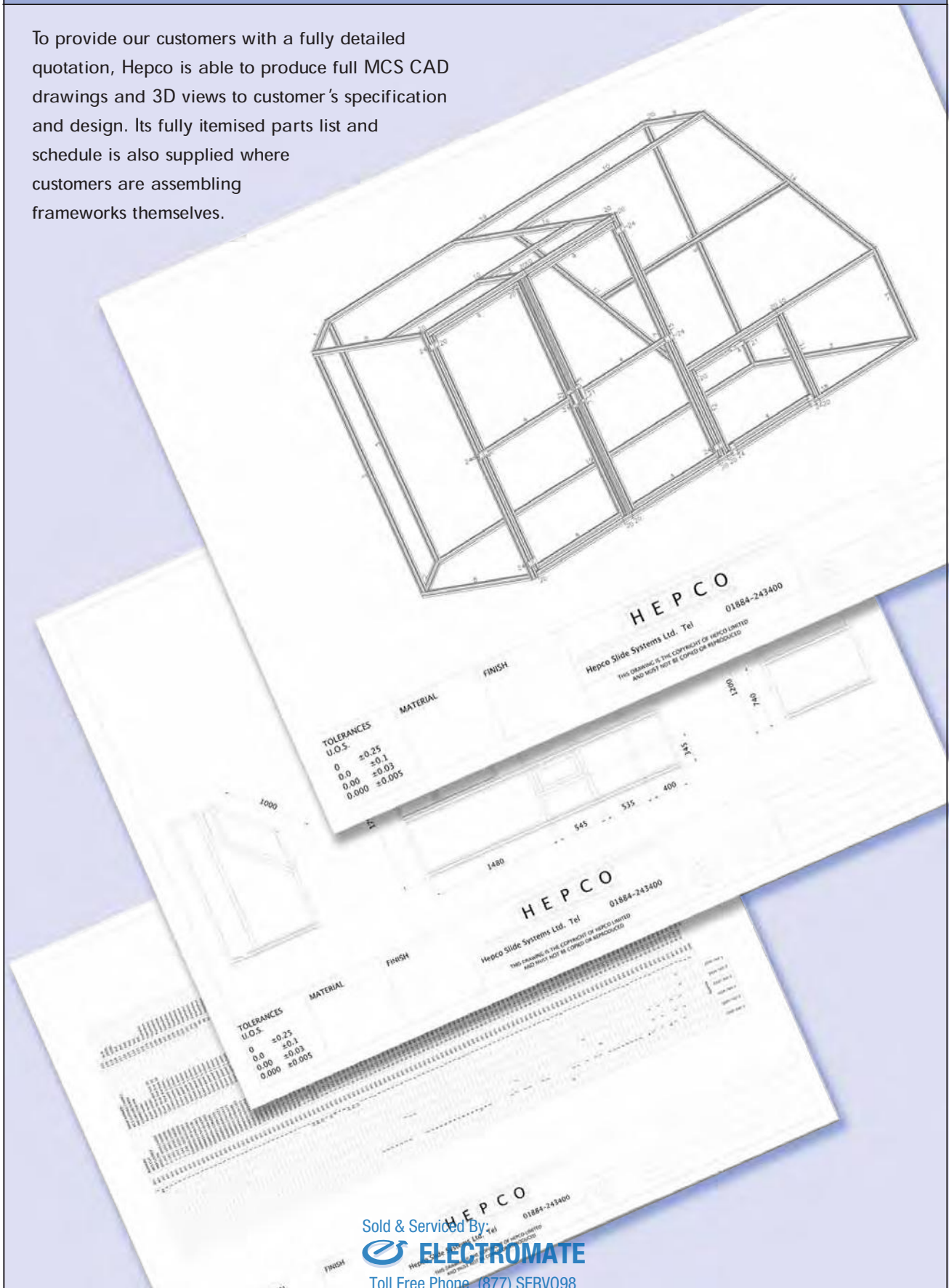
[www.electromate.com](http://www.electromate.com)

[sales@electromate.com](mailto:sales@electromate.com)

# CAD Frame Drawings

## 3D Design Package

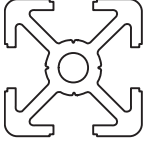

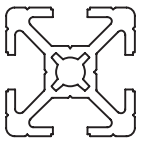
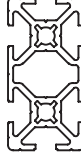
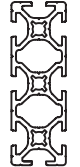
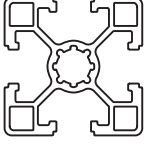
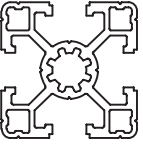
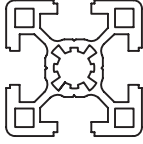
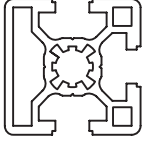
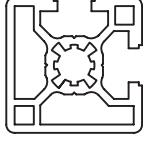
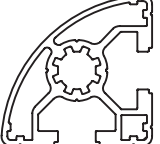

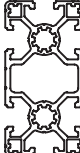


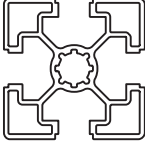
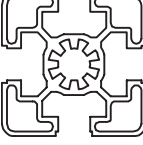
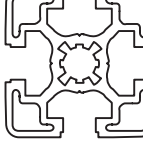
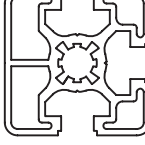



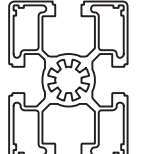
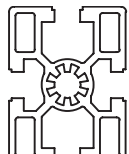

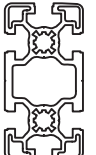
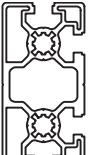
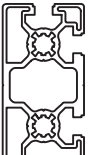
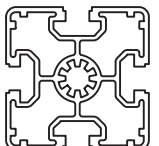
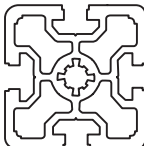
To provide our customers with a fully detailed quotation, Hepco is able to produce full MCS CAD drawings and 3D views to customer's specification and design. Its fully itemised parts list and schedule is also supplied where customers are assembling frameworks themselves.



Sold & Serviced By:  
**ELECTROMATE**  
Toll Free Phone (877) SERV098  
Toll Free Fax (877) SERV099  
www.electromate.com  
sales@electromate.com

**Structural Sections**

Aluminium Profiles

Structural Sections				
<p><b>20 x 20</b> see page 6</p> 	<p><b>20 x 40</b> see page 6</p> 	<p><b>30 x 30</b> see page 6</p> 	<p><b>30 x 60</b> see page 6</p> 	<p><b>30 x 90</b> see page 7</p> 
<p><b>40 x 40SL</b> see page 7</p> 	<p><b>40 x 40L</b> see page 7</p> 	<p><b>40 x 40</b> see page 7</p> 	<p><b>40 x 40 - 1NS</b> see page 8</p> 	<p><b>40 x 40 - 2NS</b> see page 8</p> 
<p><b>40LR</b> see page 8</p> 	<p><b>40 x 80L</b> see page 8</p> 	<p><b>40 x 80</b> see page 9</p> 	<p><b>40 x 80 - 2NS</b> see page 9</p> 	<p><b>40 x 80 - 3NS</b> see page 9</p> 
<p><b>45 x 45SL</b> see page 9</p> 	<p><b>45 x 45L</b> see page 10</p> 	<p><b>45 x 45</b> see page 10</p> 	<p><b>45 x 45 - 1NS</b> see page 10</p> 	<p><b>45 x 45 - 2NS</b> see page 10</p> 
<p><b>45LR</b> see page 11</p> 	<p><b>45°</b> see page 11</p> 	<p><b>45 x 60L</b> see page 11</p> 	<p><b>45 x 60</b> see page 11</p> 	<p><b>45 x 90L</b> see page 12</p> 
<p><b>45 x 90</b> see page 12</p> 	<p><b>45 x 90 - 2NS</b> see page 12</p> 	<p><b>45 x 90 - 3NS</b> see page 12</p> 	<p><b>60 x 60L</b> see page 13</p> 	<p><b>60 x 60</b> see page 13</p> 

Sold & Serviced By:



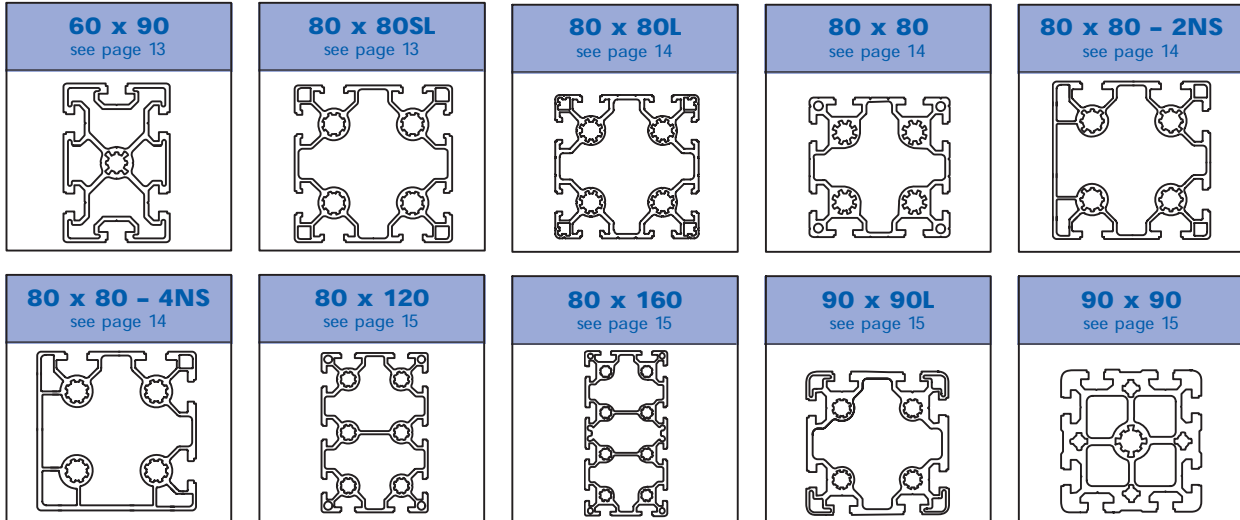
Toll Free Phone (877) SERV098

Toll Free Fax (877) SERV099

www.electromate.com

sales@electromate.com

## Structural Sections



### See specialist section page 41 for other profiles.

These structural aluminium profiles are precision extruded using high quality Al6063-T5 material. They are then clear-coat anodised to a thickness of 10 microns, resulting in an accurate, hard-wearing basis for all types of frame construction.

Profiles can also be specially powder coated in a range of colours.

All profiles include T-slots along their length, allowing simple insertion of T-nuts and T-bolts to attach connection brackets or accessories.

Most sizes of structural profile are available as random 5600mm lengths, with the exception of the 20x20, 20x40 and 90x90 sizes 4000mm. A fast cutting, drilling, machining and tapping service is provided by Hepco, which also includes complete frame assembly to customer's drawings. See page 53 for end machining details.

For details of 'Choosing the correct **MCS System profile** for your application' please refer to pages 48 to 49. Complete Technical details may be found on pages 44 to 53.

Sold & Serviced By:

 **ELECTROMATE**

Toll Free Phone (877) SERV098

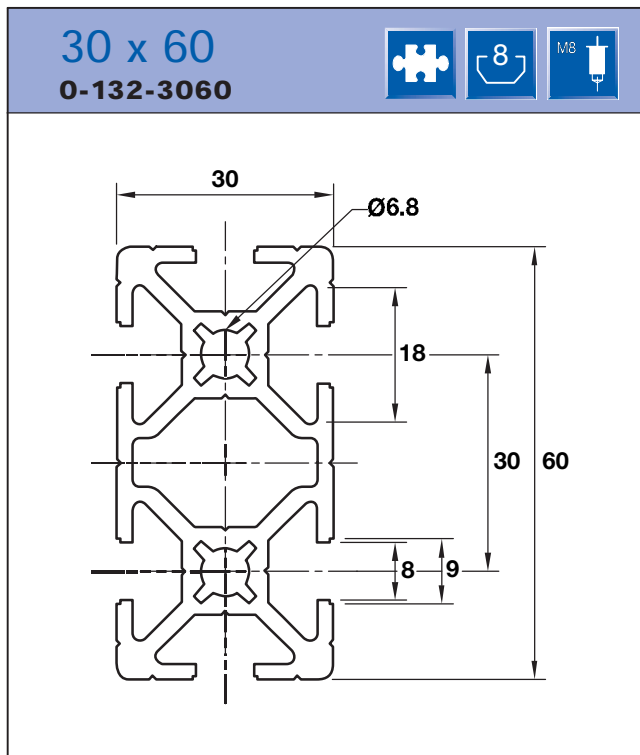
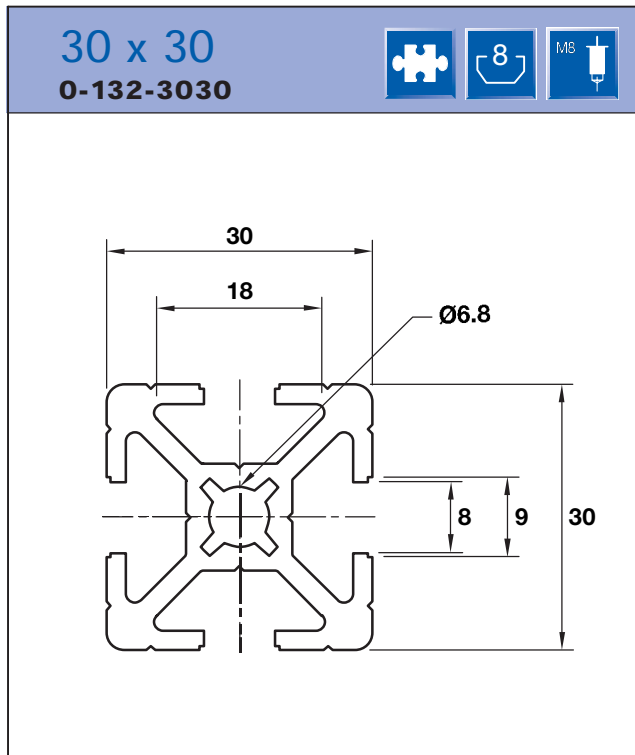
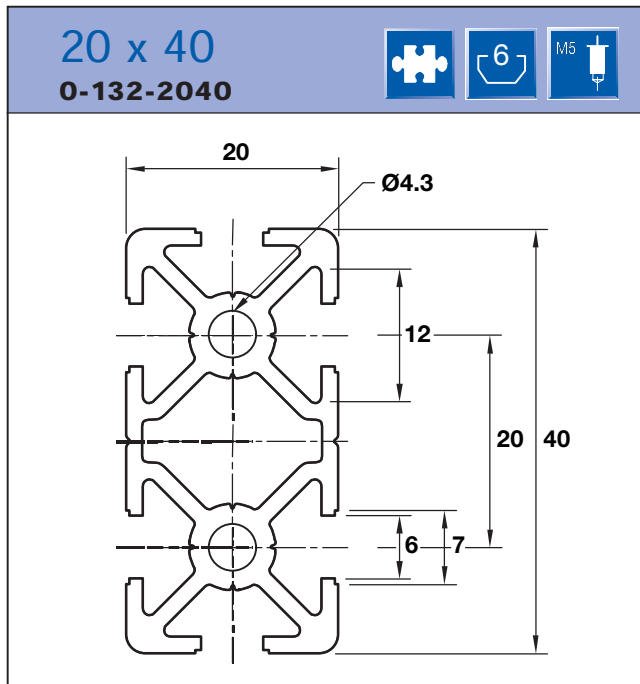
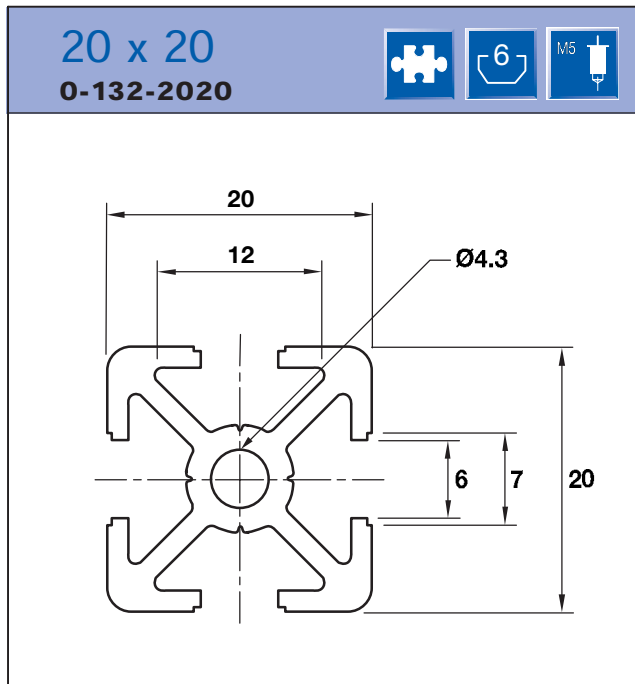
Toll Free Fax (877) SERV099

[www.electromate.com](http://www.electromate.com)

[sales@electromate.com](mailto:sales@electromate.com)

Structural Sections

Aluminium Profiles



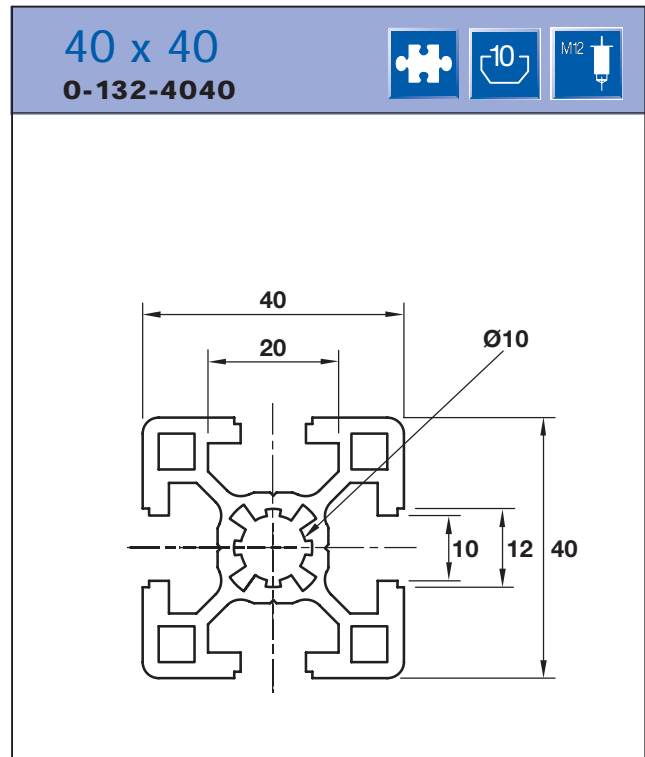
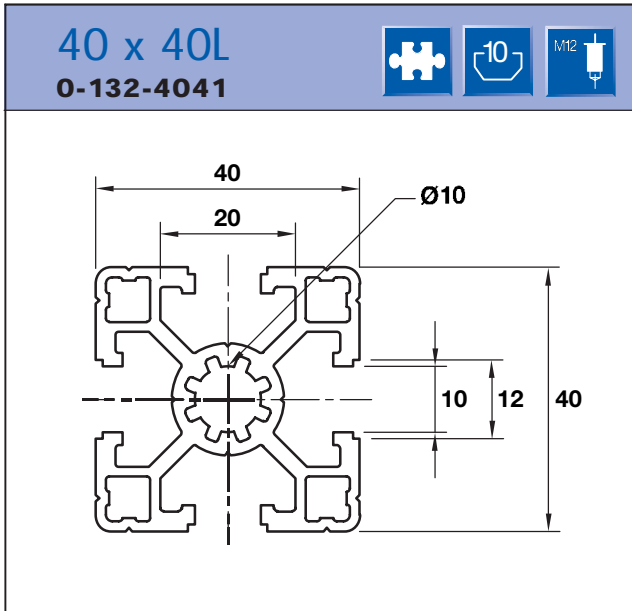
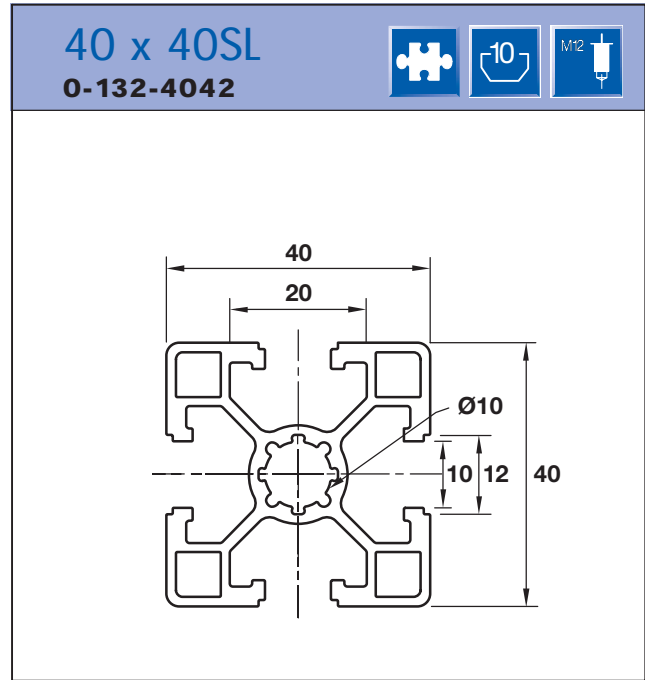
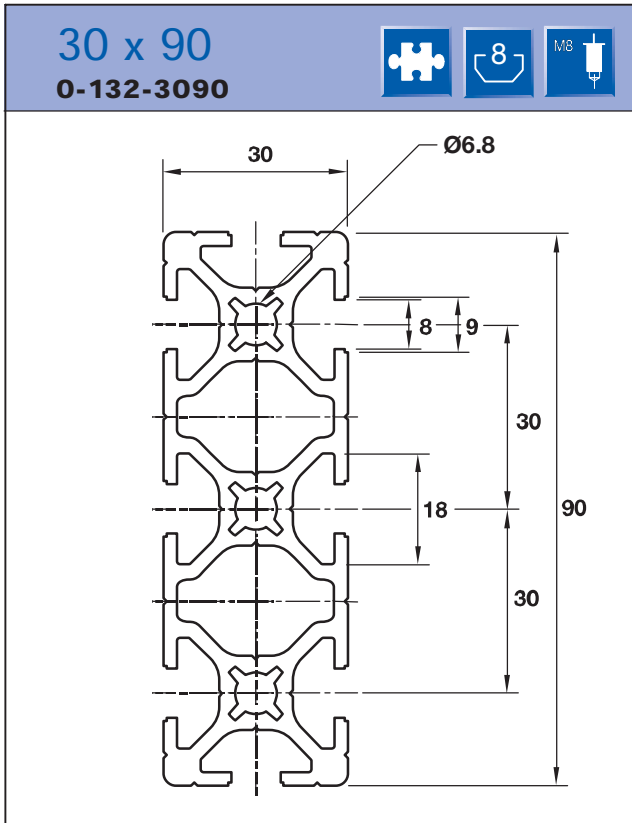
Technical Data

	20 x 20	20 x 40	30 x 30	30 x 60
<b>Max. Length</b>	4000mm	4000mm	5600mm	5600mm
<b>Mass</b>	0.44kg/m	0.77kg/m	0.97kg/m	1.83kg/m
<b>Moment of Inertia (cm<sup>4</sup>)</b>	Ixx 0.7	Ixx 4.5	Ixx 3.4	Ixx 23.3
	Iyy 0.7	Iyy 1.2	Iyy 3.4	Iyy 6.1
<b>Section Modulus (cm<sup>3</sup>)</b>	Wxx 0.7	Wxx 2.2	Wxx 2.2	Wxx 7.8
	Wyy 0.7	Wyy 1.2	Wyy 2.2	Wyy 4.1

Sold & Serviced By:  
 ELECTROMATE  
 Toll Free Phone (877) SERV098  
 Toll Free Fax (877) SERV099  
[www.electromate.com](http://www.electromate.com)  
[sales@electromate.com](mailto:sales@electromate.com)

For key reference see page 1





## Technical Data

	30 x 90	40 x 40SL	40 x 40L	40 x 40
<b>Max. Length</b>	5600mm	5600mm	5600mm	5600mm
<b>Mass</b>	2.57kg/m	1.2kg/m	1.4kg/m	1.9kg/m
<b>Moment of Inertia (cm<sup>4</sup>)</b>	Ixx 74.4 Iyy 9.2	Ixx 7.2 Iyy 7.2	Ixx 8.2 Iyy 8.2	Ixx 11.1 Iyy 11.1
<b>Section Modulus (cm<sup>3</sup>)</b>	Wxx 16.5 Wyy 6.1	Wxx 3.9 Wyy 3.9	Wxx 4.1 Wyy 4.1	Wxx 5.6 Wyy 5.6

Sold & Serviced By:

**ELECTROMATE**

Toll Free Phone (877) SERV099

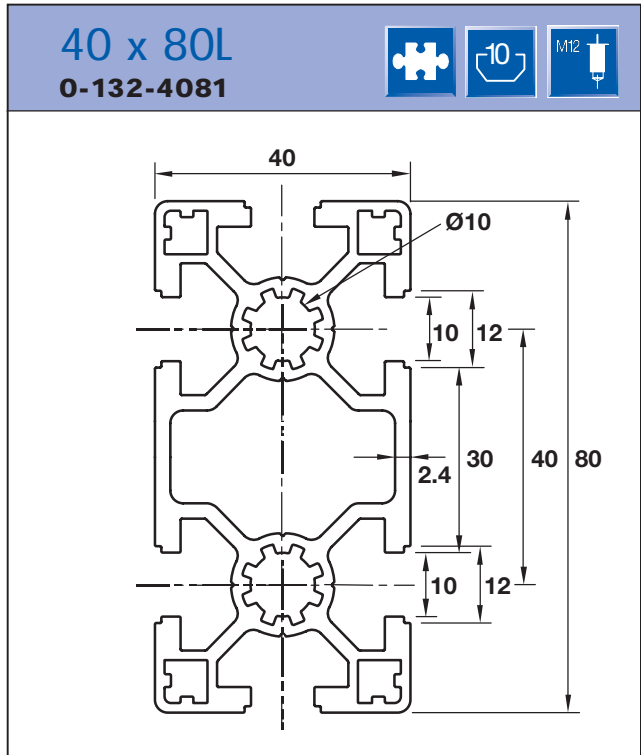
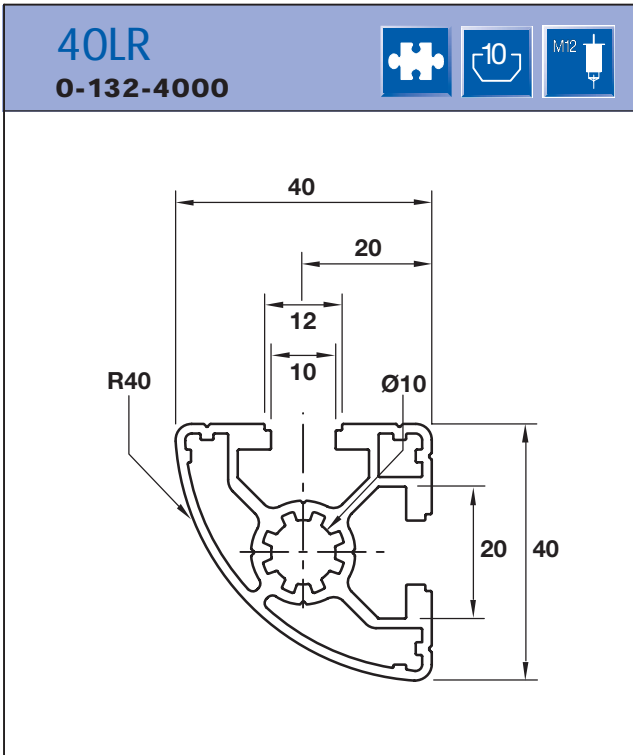
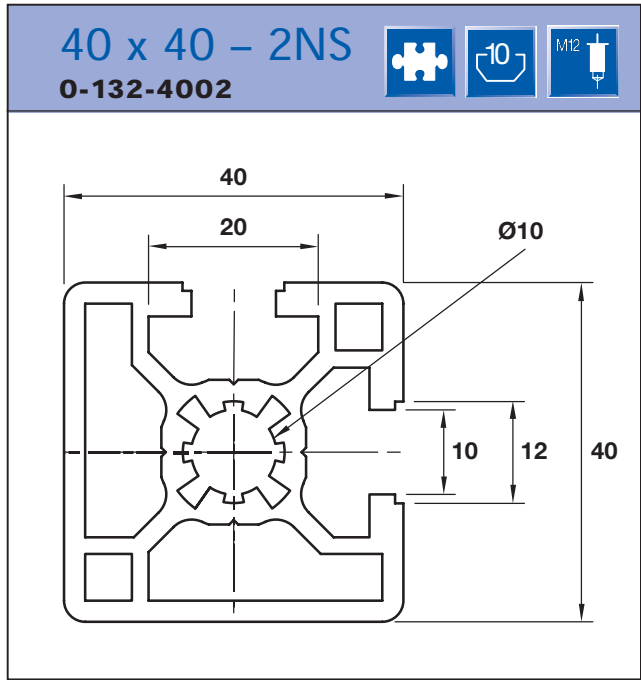
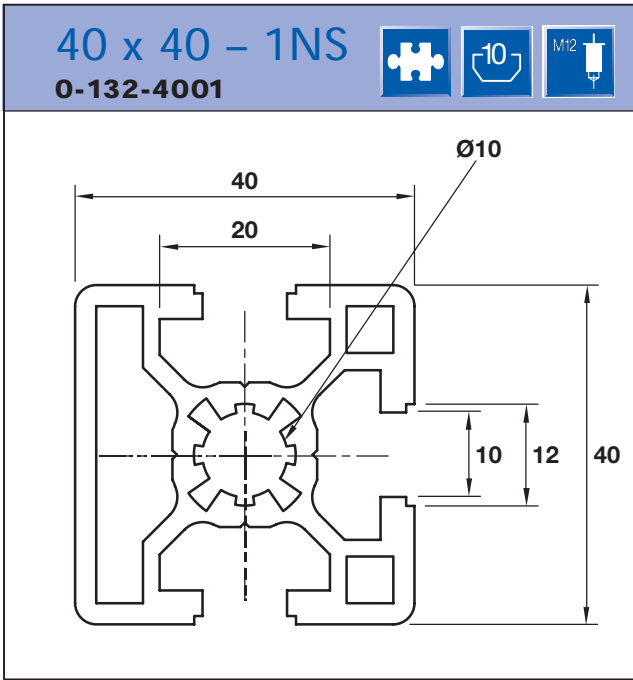
Toll Free Fax (877) SERV099

www.electromate.com

sales@electromate.com

Structural Sections

Aluminium Profiles

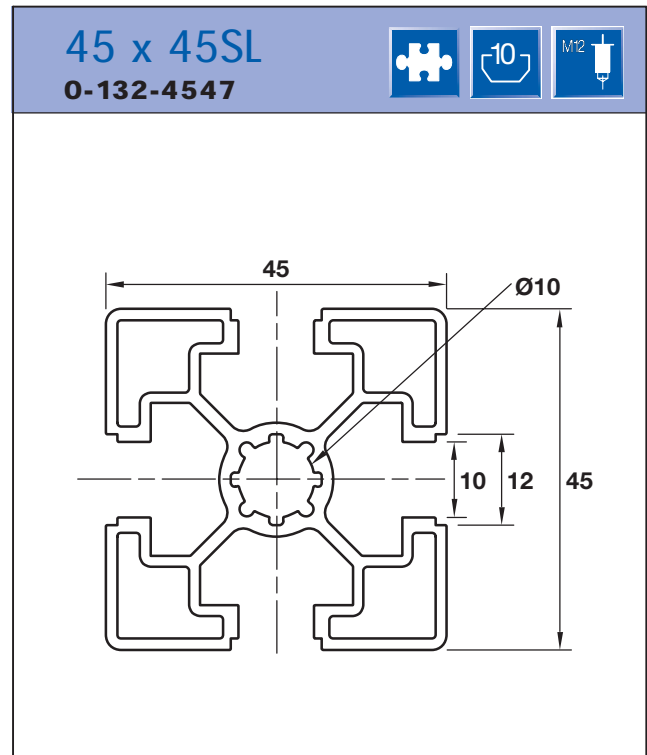
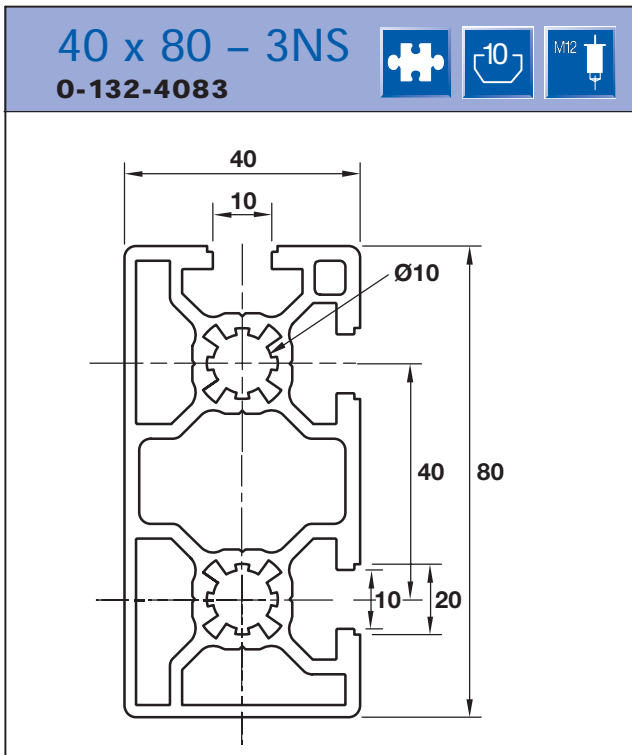
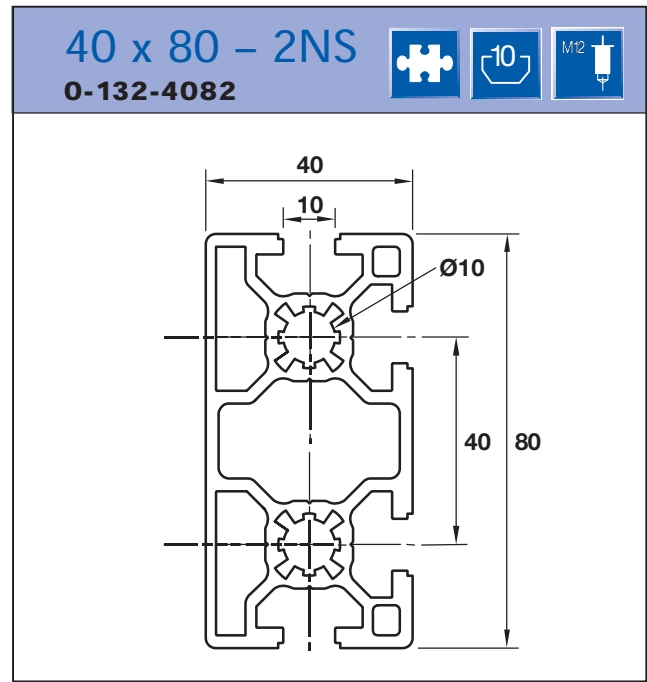
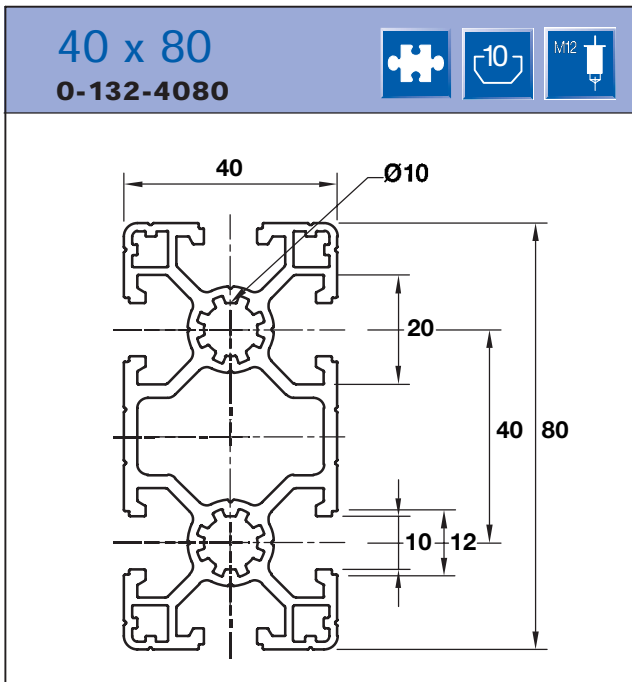


Technical Data

	40 x 40 – 1NS	40 x 40 – 2NS	40LR	40 x 80L
<b>Max. Length</b>	5600mm	5600mm	5600mm	5600mm
<b>Mass</b>	1.7kg/m	1.7kg/m	1.2kg/m	2.1kg/m
<b>Moment of Inertia (cm<sup>4</sup>)</b>	Ixx 10.2	Ixx 10.2	Ixx 6.0	Ixx 51.2
	Iyy 9.8	Iyy 10.2	Iyy 6.0	Iyy 14.2
<b>Section Modulus (cm<sup>3</sup>)</b>	Wxx 5.1	Wxx 5.1	Wxx 2.4	Wxx 25.6
	Wyy 4.9	Wyy 5.1	Wyy 2.4	Wyy 3.6

Sold & Serviced By:  
**ELECTROMATE**  
Toll Free Phone (877) SERV099  
Toll Free Fax (877) SERV099  
www.electromate.com  
sales@electromate.com

For key reference see page 1



## Technical Data

	40 x 80	40 x 80 – 2NS	40 x 80 – 3NS	45 x 45SL
<b>Max. Length</b>	5600mm	5600mm	5600mm	5600mm
<b>Mass</b>	2.62kg/m	2.8kg/m	2.8kg/m	1.4kg/m
<b>Moment of Inertia (cm<sup>4</sup>)</b>	Ixx 61.2 Iyy 17.0	Ixx 67.1 Iyy 18.3	Ixx 65.8 Iyy 18.0	Ixx 10.0 Iyy 10.0
<b>Section Modulus (cm<sup>3</sup>)</b>	Wxx 15.3 Wyy 8.5	Wxx 16.7 Wyy 9.15	Wxx 16.45 Wyy 9.0	Wxx 4.4 Wyy 4.4

Sold & Serviced By:

**ELECTROMATE**

Toll Free Phone (877) SERV099

Toll Free Fax (877) SERV099

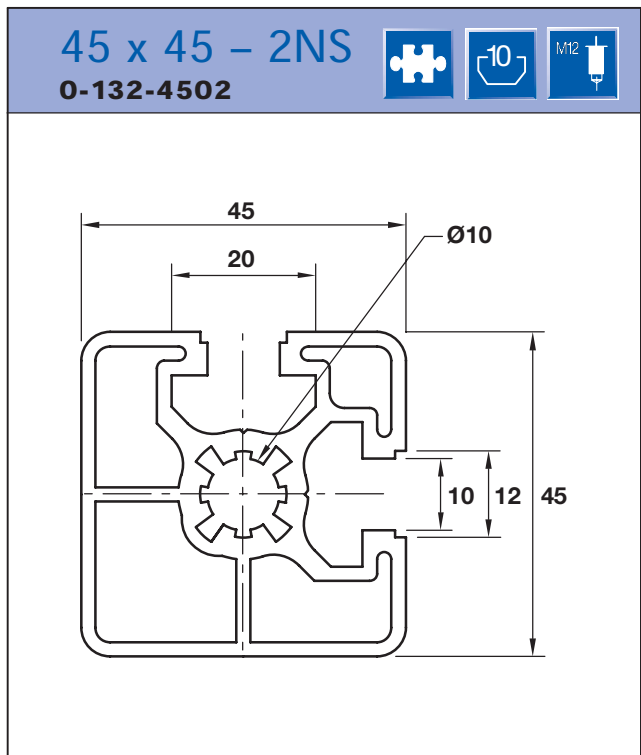
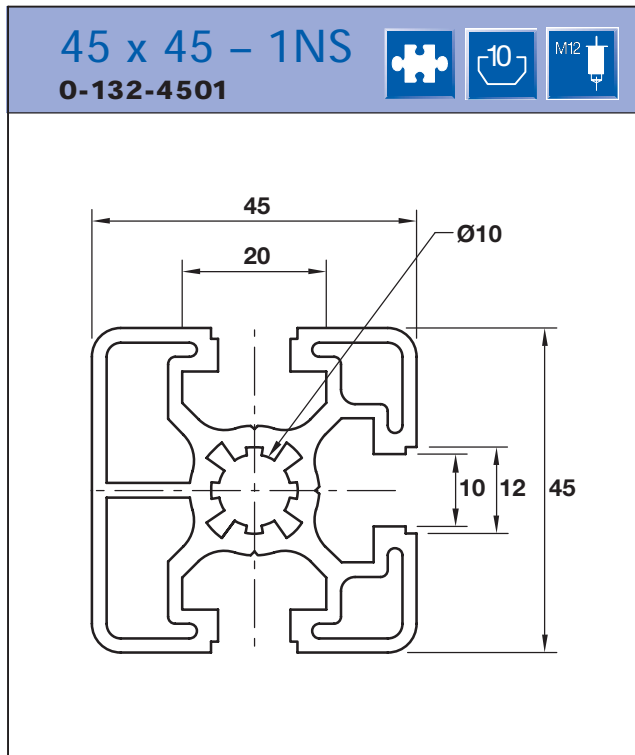
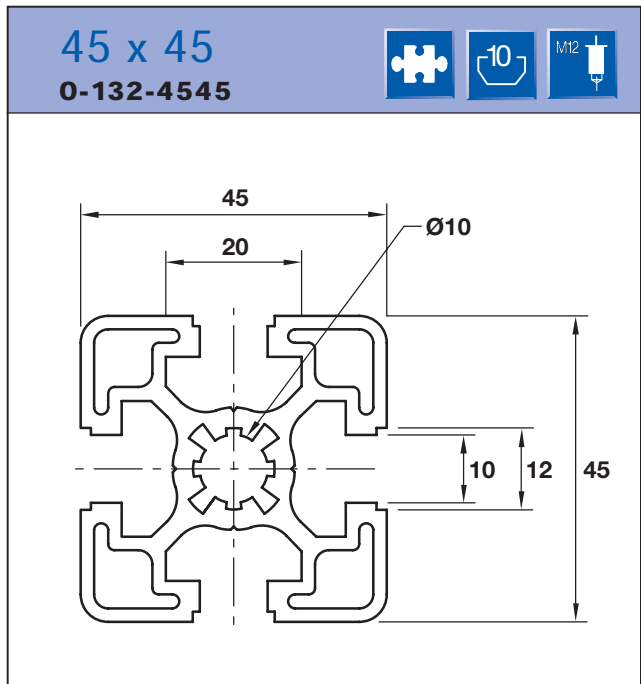
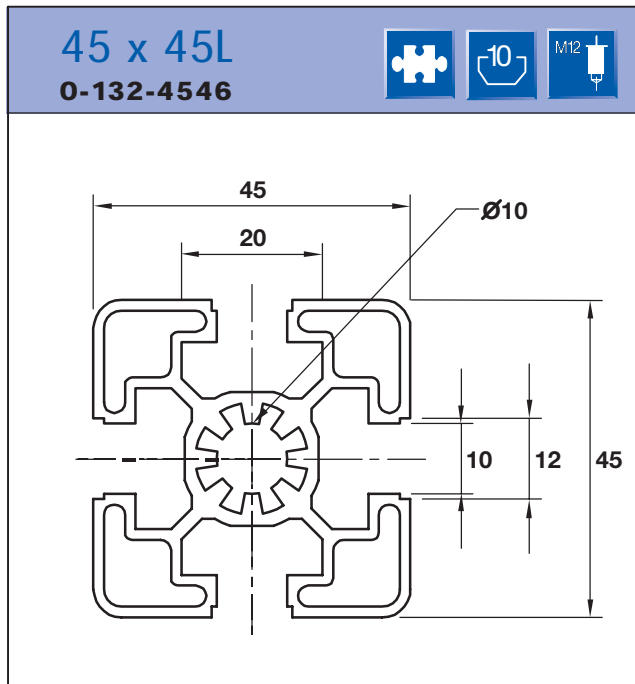
www.electromate.com

sales@electromate.com

For key reference see page 1

Structural Sections

Aluminium Profiles



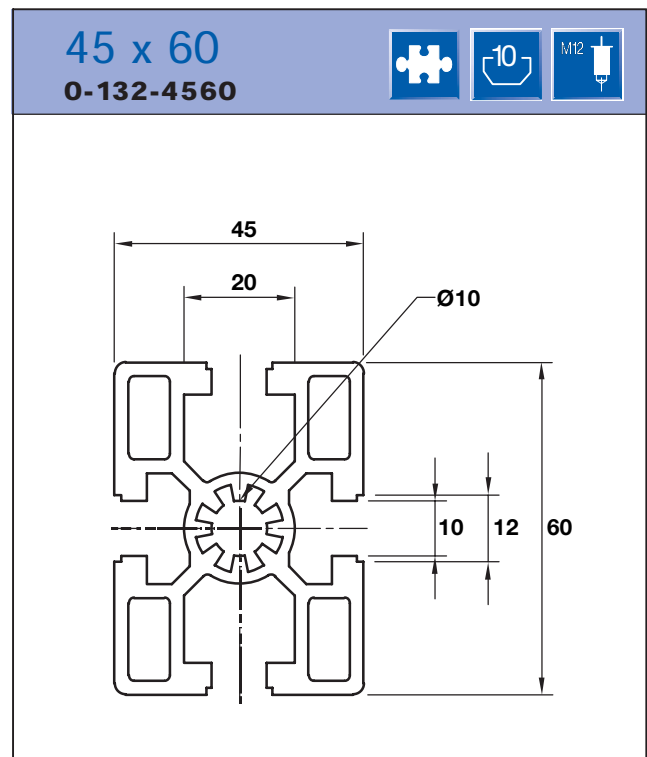
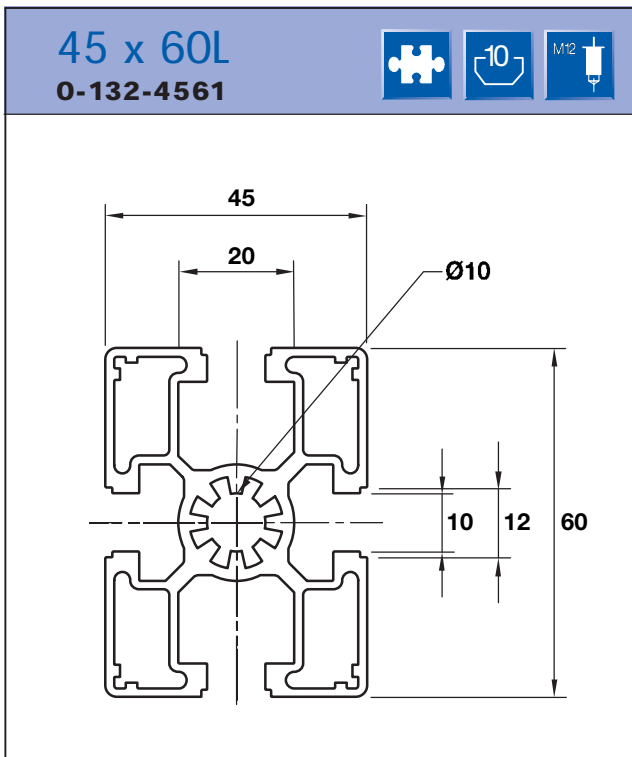
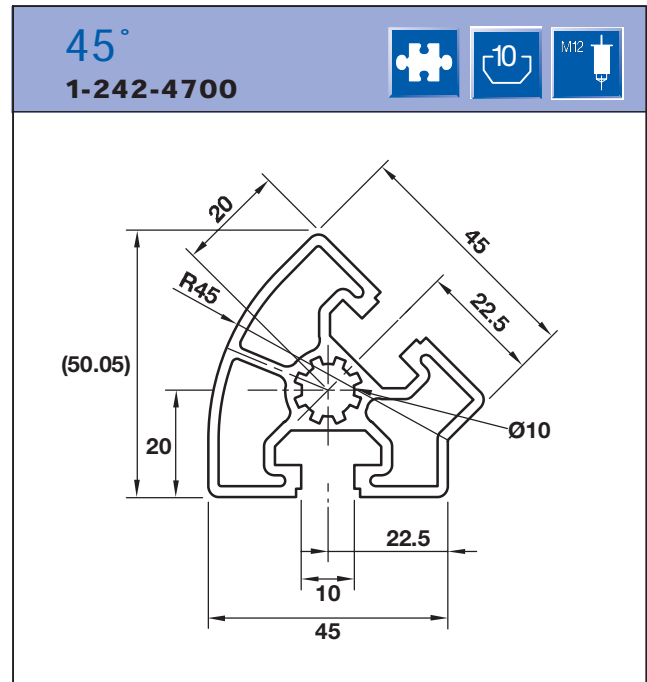
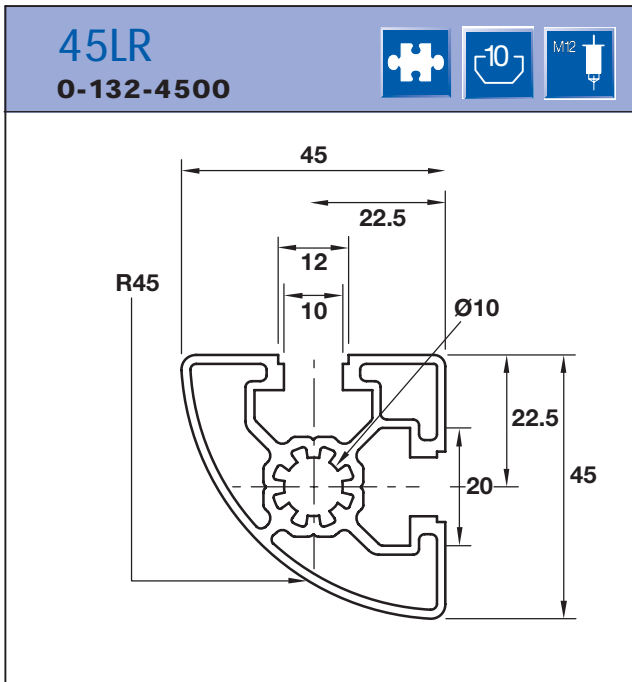
Technical Data

	45 x 45L	45 x 45	45 x 45 - 1NS	45 x 45 - 2NS
<b>Max. Length</b>	5600mm	5600mm	5600mm	5600mm
<b>Mass</b>	1.5kg/m	1.9kg/m	1.9kg/m	1.8kg/m
<b>Moment of Inertia (cm<sup>4</sup>)</b>	lxx 10.4 lyy 10.4	lxx 13.4 lyy 13.4	lxx 13.0 lyy 13.0	lxx 12.7 lyy 12.7
<b>Section Modulus (cm<sup>3</sup>)</b>	Wxx 4.6 Wyy 4.6	Wxx 6.0 Wyy 6.0	Wxx 5.9 Wyy 5.9	Wxx 5.6 Wyy 5.6

Sold & Serviced By:  
**ELECTROMATE**  
Toll Free Phone (877) SERV099  
Toll Free Fax (877) SERV099  
www.electromate.com  
sales@electromate.com

For key reference see page 1





## Technical Data

	45LR	45°	45 x 60L	45 x 60
<b>Max. Length</b>	5600mm	5600mm	5600mm	5600mm
<b>Mass</b>	1.3kg/m	2.6kg/m	2.15kg/m	2.8kg/m
<b>Moment of Inertia (cm<sup>4</sup>)</b>	Ixx 7.6 Iyy 7.6	Ixx 10.4 Iyy 9.6	Ixx 24.0 Iyy 15.1	Ixx 34.2 Iyy 21.6
<b>Section Modulus (cm<sup>3</sup>)</b>	Wxx 3.4 Wyy 3.4	Wxx 4.0 Wyy 3.96	Wxx 8.0 Wyy 6.7	Wxx 11.4 Wyy 9.6

Sold & Serviced By:

**ELECTROMATE**

Toll Free Phone (877) SERV099

Toll Free Fax (877) SERV099

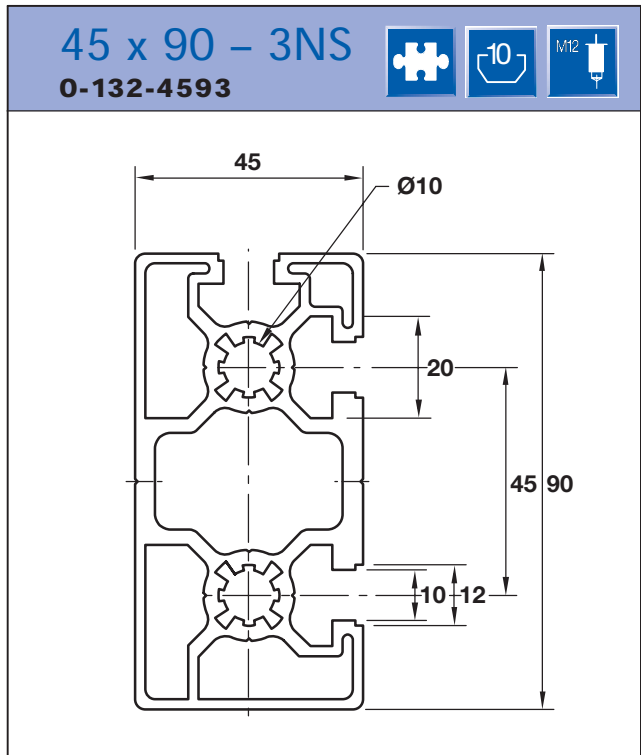
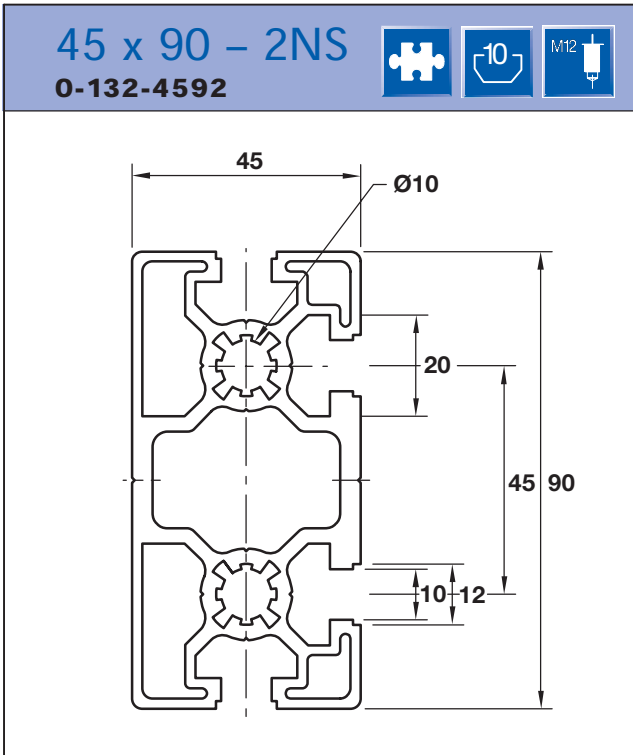
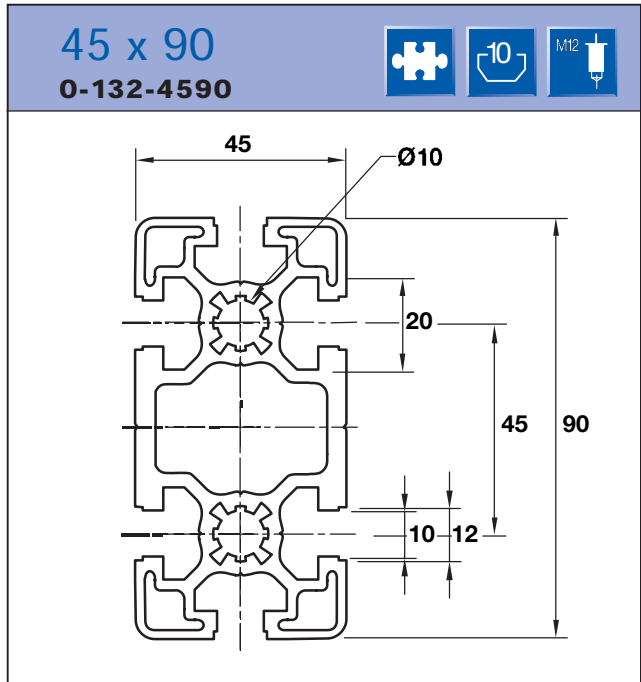
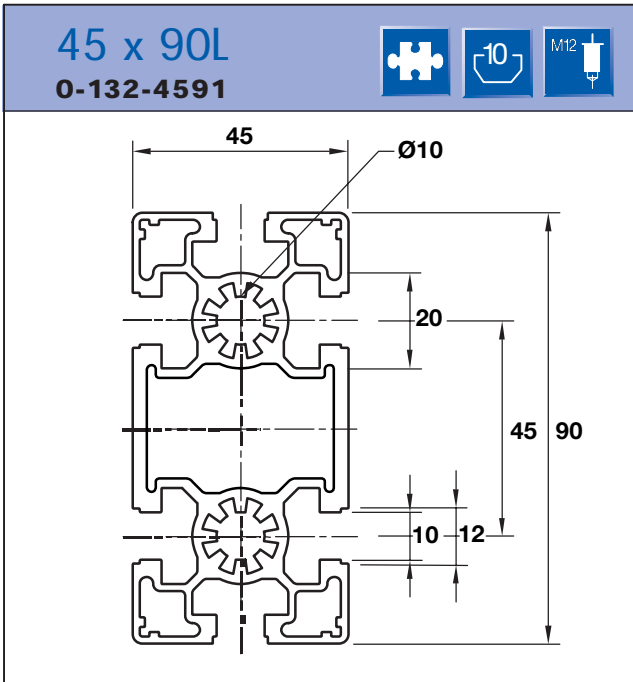
www.electromate.com

sales@electromate.com

For key reference see page 1

Structural Sections

Aluminium Profiles



Technical Data

	45 x 90L	45 x 90	45 x 90 - 2NS	45 x 90 - 3NS
<b>Max. Length</b>	5600mm	5600mm	5600mm	5600mm
<b>Mass</b>	3.15kg/m	3.6kg/m	3.4kg/m	3.4kg/m
<b>Moment of Inertia (cm<sup>4</sup>)</b>	lxx 92.6 lyy 22.1	lxx 100.0 lyy 28.5	lxx 96.0 lyy 29.0	lxx 94.0 lyy 28.0
<b>Section Modulus (cm<sup>3</sup>)</b>	Wxx 20.6 Wyy 9.8	Wxx 22.2 Wyy 12.7	Wxx 21.3 Wyy 12.9	Wxx 20.9 Wyy 12.4

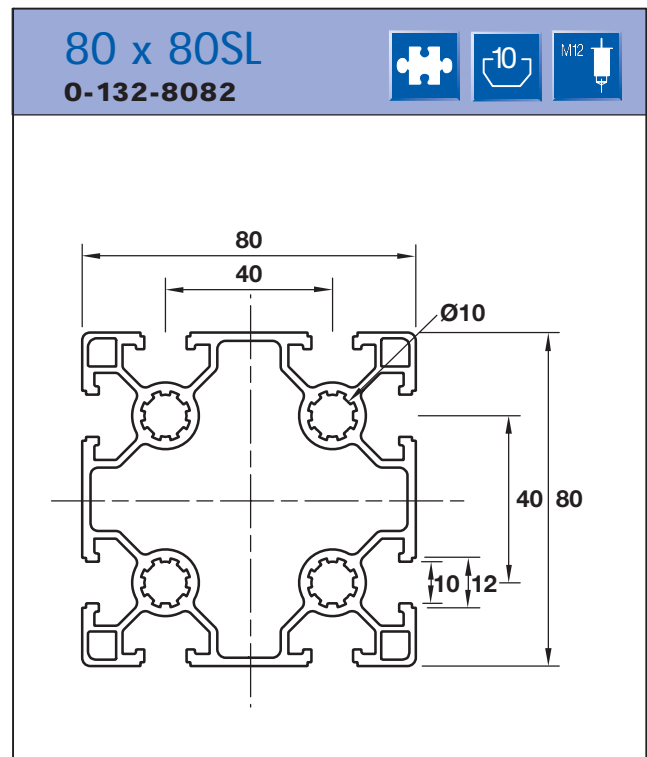
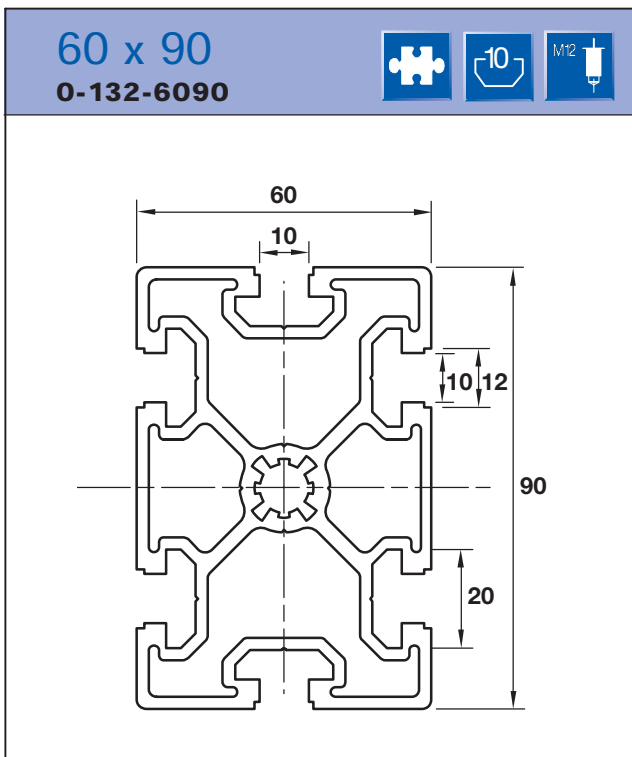
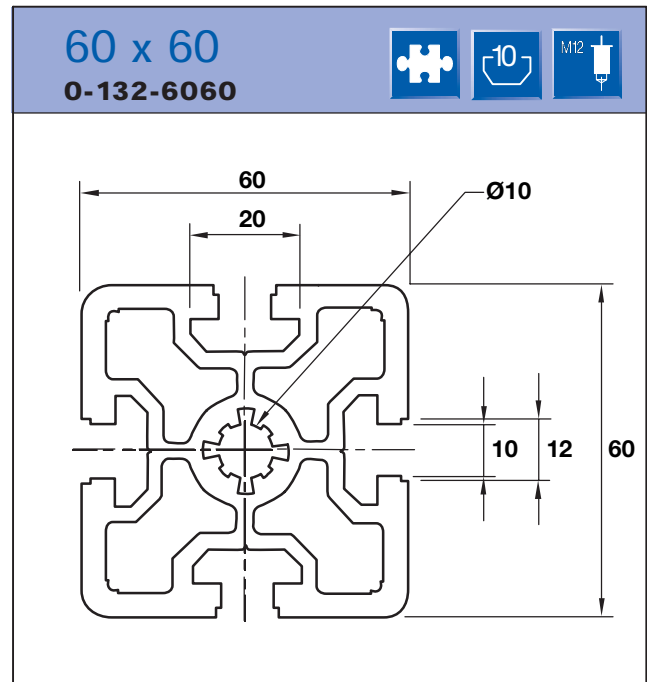
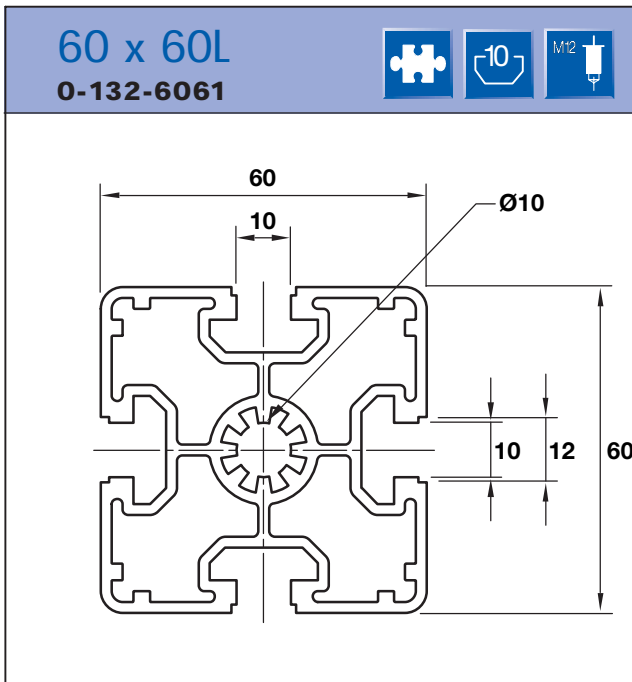
Sold & Serviced By  
**ELECTROMATE**

Toll Free Phone (877) SERV098

Toll Free Fax (877) SERV099

www.electromate.com

sales@electromate.com



## Technical Data

	60 x 60L	60 x 60	60 x 90	80 x 80SL
<b>Max. Length</b>	5600mm	5600mm	5600mm	5600mm
<b>Mass</b>	2.88kg/m	3.7kg/m	4.35kg/m	3.6kg/m
<b>Moment of Inertia (cm<sup>4</sup>)</b>	Ixx 37.0 Iyy 37.0	Ixx 47 Iyy 47	Ixx 128.4 Iyy 60.1	Ixx 11.1 Iyy 11.1
<b>Section Modulus (cm<sup>3</sup>)</b>	Wxx 12.3 Wyy 12.3	Wxx 15.7 Wyy 15.7	Wxx 28.5 Wyy 20.0	Wxx 5.6 Wyy 5.6

Sold & Serviced By:

**ELECTROMATE**

Toll Free Phone (877) SERV098

Toll Free Fax (877) SERV099

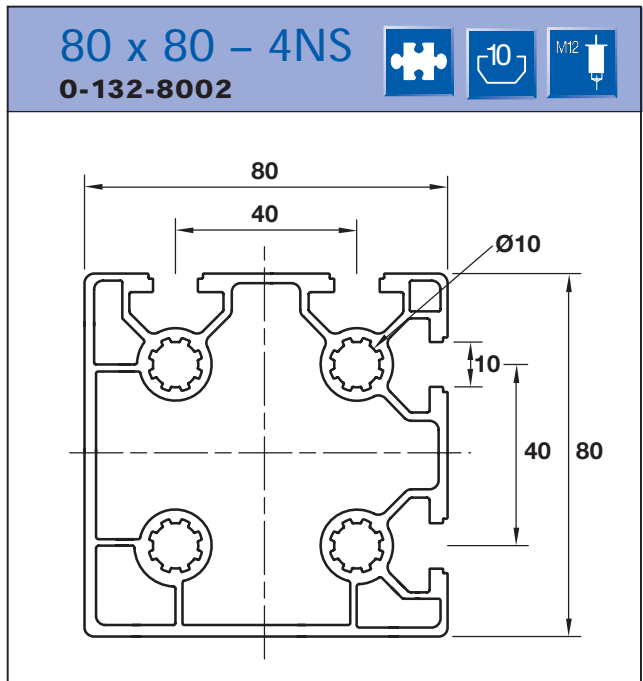
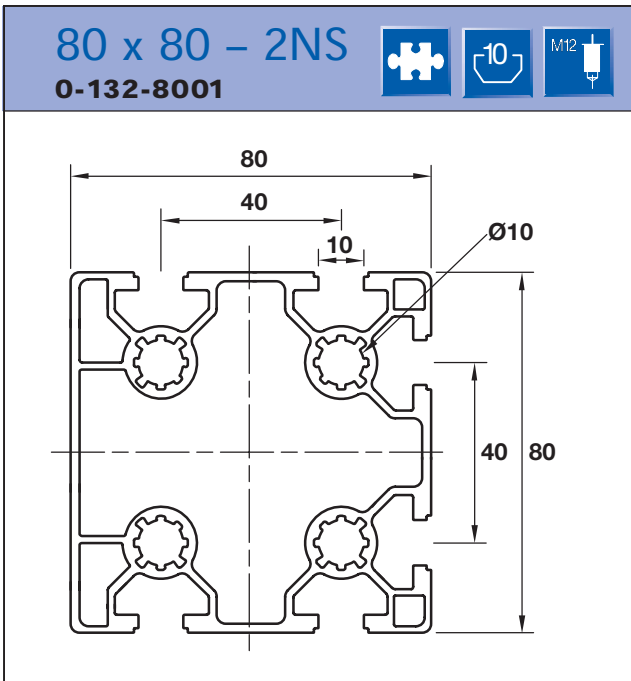
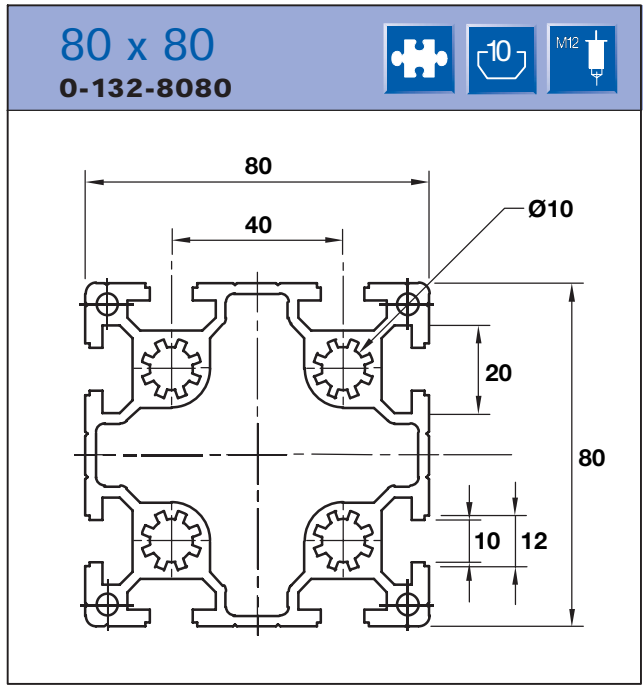
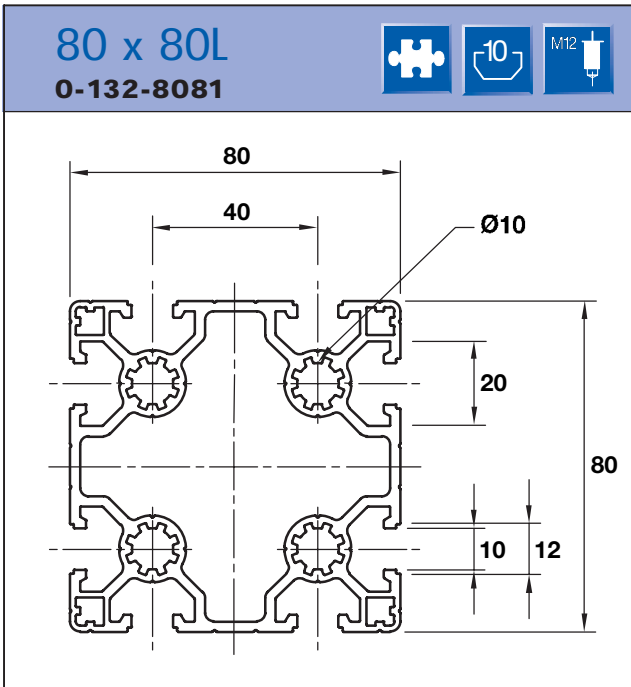
www.electromate.com

sales@electromate.com

For key reference see page 1

Structural Sections

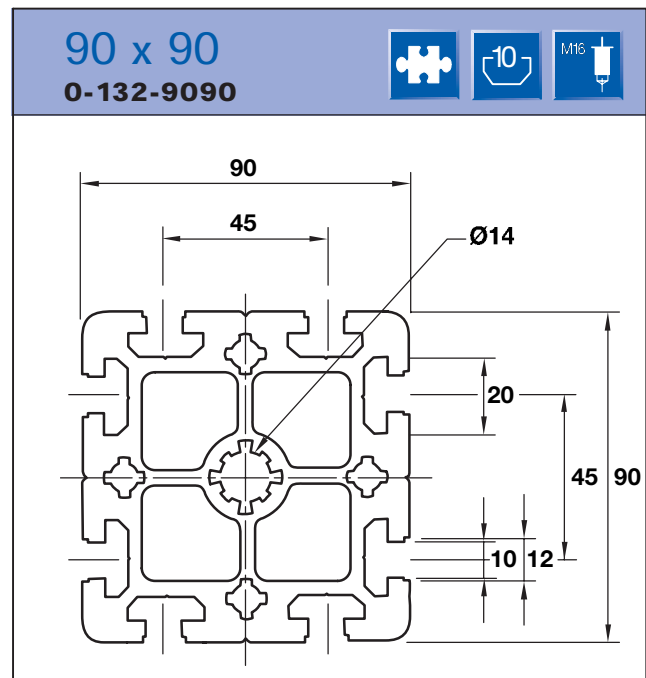
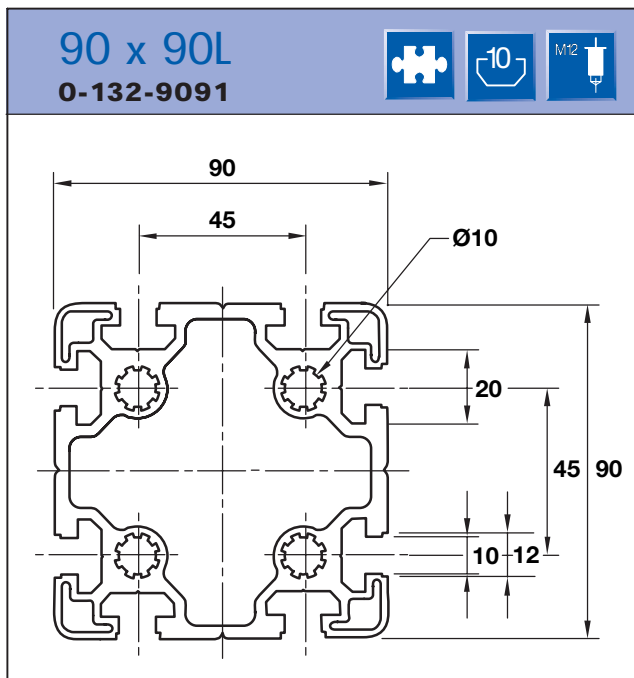
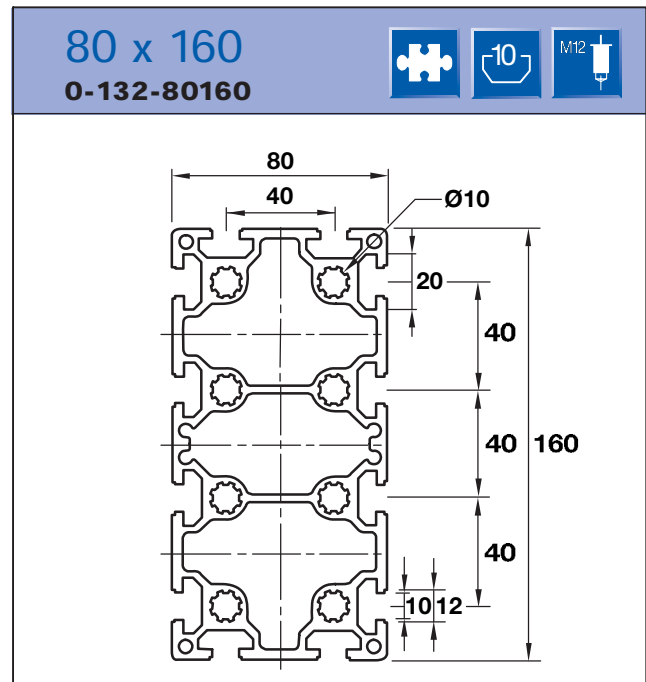
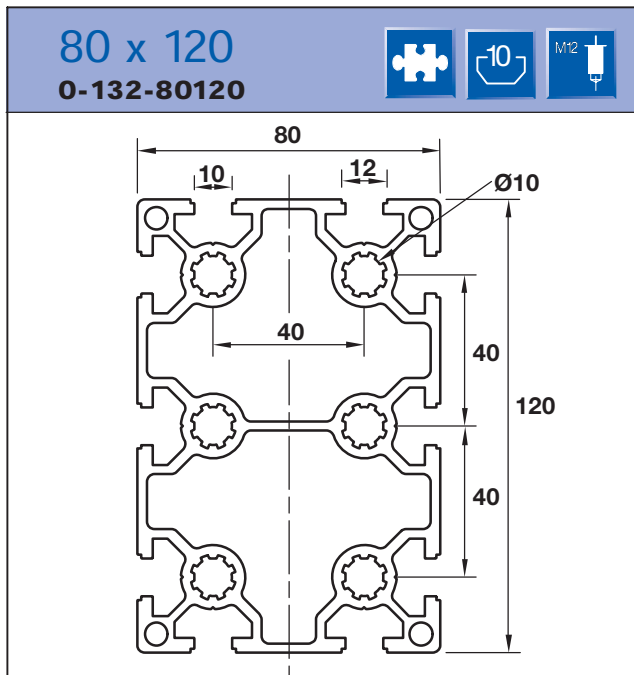
Aluminium Profiles



Technical Data

	80 x 80L	80 x 80	80 x 80 - 2NS	80 x 80 - 4NS
<b>Max. Length</b>	5600mm	5600mm	5600mm	5600mm
<b>Mass</b>	4.1kg/m	4.94kg/m	3.7kg/m	3.7kg/m
<b>Moment of Inertia (cm<sup>4</sup>)</b>	lxx 110.4 lyy 110.4	lxx 132.5 lyy 132.5	lxx 100 lyy 102	lxx 104 lyy 104
<b>Section Modulus (cm<sup>3</sup>)</b>	Wxx 27.6 Wyy 27.6	Wxx 33.1 Wyy 33.1	Wxx 25 Wyy 25	Wxx 26 Wyy 26



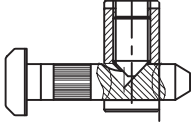
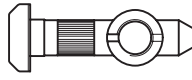
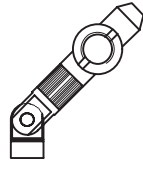
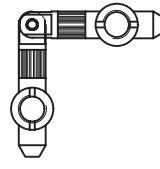
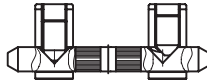
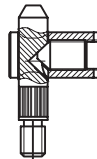
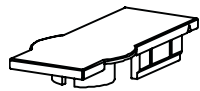

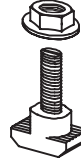
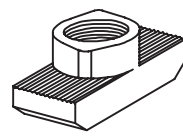
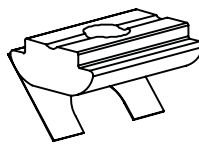

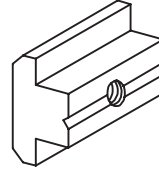
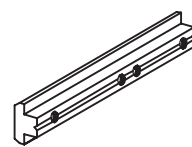
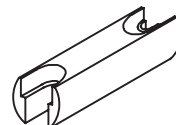
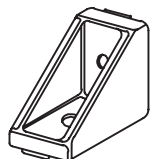
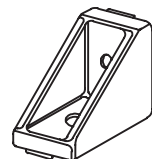



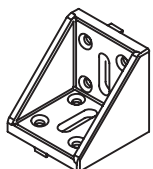
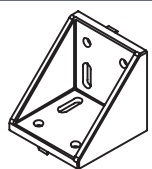
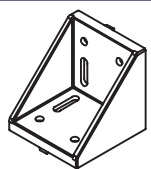
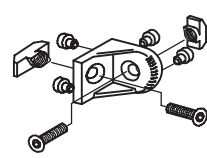
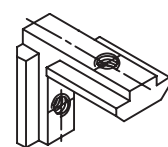
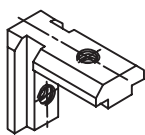
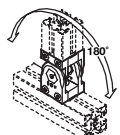
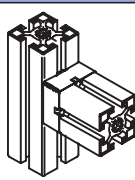
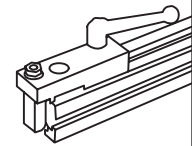


## Technical Data

	80 x 120	80 x 160	90 x 90L	90 x 90
<b>Max. Length</b>	5600mm	5600mm	5600mm	4000mm
<b>Mass</b>	6.4kg/m	9.1kg/m	5.6kg/m	9.3kg/m
<b>Moment of Inertia (cm<sup>4</sup>)</b>	I <sub>xx</sub> 362 I <sub>yy</sub> 176	I <sub>xx</sub> 890 I <sub>yy</sub> 262	I <sub>xx</sub> 190 I <sub>yy</sub> 190	I <sub>xx</sub> 285 I <sub>yy</sub> 285
<b>Section Modulus (cm<sup>3</sup>)</b>	W <sub>xx</sub> 90 W <sub>yy</sub> 29	W <sub>xx</sub> 111 W <sub>yy</sub> 65	W <sub>xx</sub> 42 W <sub>yy</sub> 42	W <sub>xx</sub> 63 W <sub>yy</sub> 63

Sold & Serviced By:  
  
 Toll Free Phone (877) SERV098  
 Toll Free Fax (877) SERV099  
[www.electromate.com](http://www.electromate.com)  
[sales@electromate.com](mailto:sales@electromate.com)

# Profile Connections

Profile Connections				
<b>Flexi Connector (A)</b> see page 17 	<b>Flexi Connector (B)</b> see page 17 	<b>Flexi Angle Connector</b> see page 17 	<b>Flexi Mitre Connector</b> see page 17 	<b>Flexi Straight Connector</b> see page 17 
<b>Flexi Threaded Connector</b> see page 17 	<b>Flexi Connector End Cap</b> see page 17 	<b>Connection Screw</b> see page 18 	<b>T-Bolt &amp; Flange Nut</b> see page 18 	<b>T-Nut</b> see page 19 
<b>Sprung Loaded T-Nut</b> see page 19 	<b>Angled Nut</b> see page 19 	<b>Slot Block</b> see page 20 	<b>Connector Link Set</b> see page 20 	<b>Bolt Connector Set</b> see page 20 
<b>Bracket 17 x 25</b> see page 20 	<b>Bracket 20 x 28</b> see page 21 	<b>Bracket 36 x 36</b> see page 21 	<b>Bracket 42 x 43</b> see page 21 	<b>Bracket 42 x 88</b> see page 21 
<b>Bracket 57 x 57</b> see page 22 	<b>Bracket 75 x 75</b> see page 22 	<b>Bracket 88 x 88</b> see page 22 	<b>Angle Bracket</b> see page 22 	<b>Interior Bracket (A)</b> see page 23 
<b>Interior Bracket (B)</b> see page 23 	<b>Knuckle Joints</b> see page 23 	<b>End Connector Set</b> see page 24 	<b>Flexi Connector Drill Jig</b> see page 24 	

Sold & Serviced By:



Toll Free Phone (877) SERV098

Toll Free Fax (877) SERV099

www.electromate.com

sales@electromate.com

# Profile Connections

## Flexi Connectors

For maximum versatility, profile position adjustment and speedy assembly simply drill dimension 'C' to suit the relevant profile with 15.1mm Ø drill available from Hecco, Part No. **1-243-5556**.

Please note:

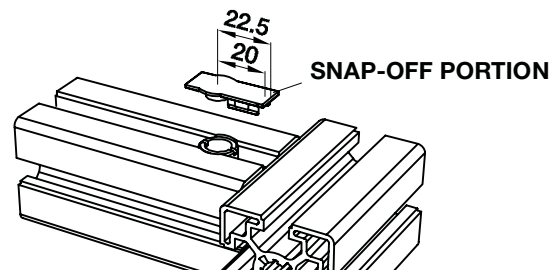
(40) refers to profiles of cross-sections 40, 80 & 160mm,  
(45) refers to profiles of cross-section 45, 60 & 90mm.

Materials are zinc plated SM20C steel.

Two Position 90° and 45° Drilling Jig available  
(see page 24).

Order with Ball End Allen Key, Part No. **1-243-5555**

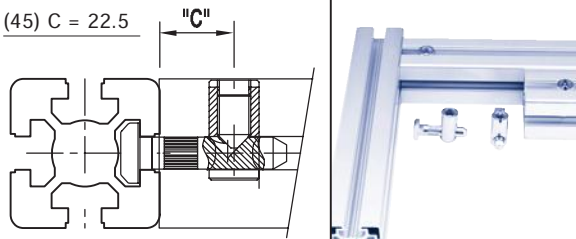
### Flexi T Connector end cap - for all versions 1-243-0048



### Flexi T Connector (A) (40) 1-242-4549 (45)1-242-4550

(40) C = 20

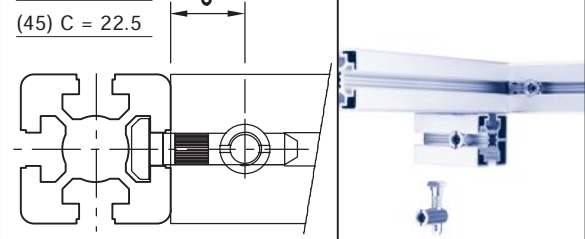
(45) C = 22.5



### Flexi T Connector (B) (40) 1-242-4551 (45)1-242-4552

(40) C = 20

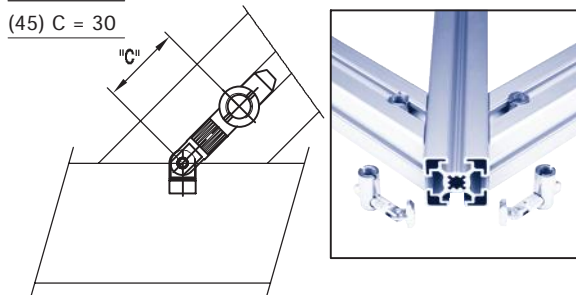
(45) C = 22.5



### Flexi Angle Connector (40) 1-242-4553 (45)1-242-4554

(40) C = 32

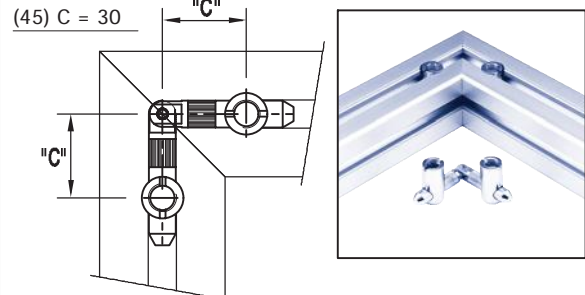
(45) C = 30



### Flexi Mitre Connector (40) 1-242-4555 (45)1-242-4556

(40) C = 30

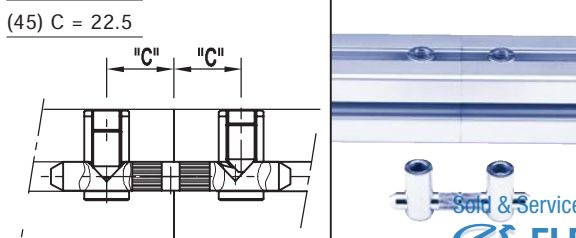
(45) C = 30



### Flexi Straight Connector (40) 1-242-4557 (45)1-242-4558

(40) C = 22.5

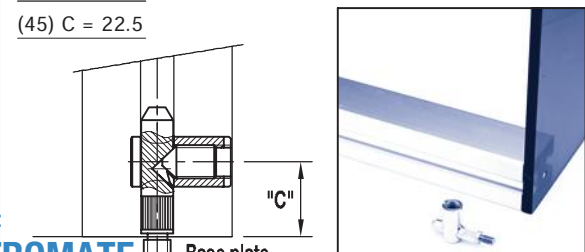
(45) C = 22.5



### Flexi Threaded Connector (40) 1-242-4559 (45)1-242-4560

(40) C = 20

(45) C = 22.5



Sold & Serviced By

**ELECTROMATE**

Toll Free Phone (877) SERV098

Toll Free Fax (877) SERV099

www.electromate.com

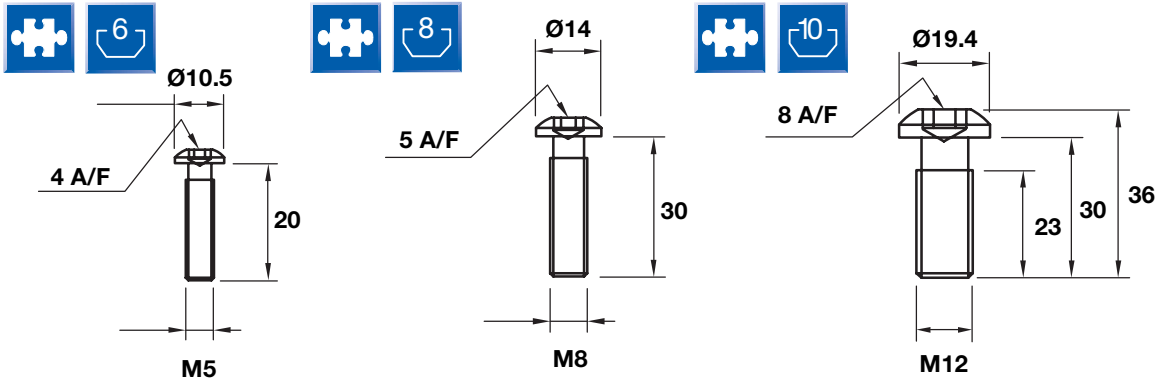
sales@electromate.com

# Profile Connections

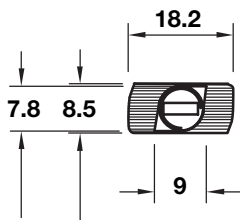
## Connection Screw

- 1-242-1033** M5 x 20
- 1-242-1034** M8 x 30
- 1-242-1005** M12 x 30

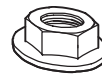
**New self tapping screw for all  
10mm T-slot connections**  
**1-242-1011** S12 x 30



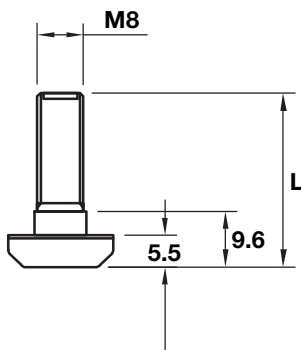
## T-Bolt & Flange Nut



- T-Bolt**
- 1-242-1009** M8 x 25L
  - 1-242-1000** M8 x 30L
  - 1-242-1010** M8 x 38L
  - 1-242-1006** M8 x 45L



- Flange Nut**
- 1-242-1101** M8 x 12 A/F
  - 1-242-1100** M8 x 14 A/F



**Max. Plate Thickness**

using the following T-Bolts and Flange Nuts:

	12 A/F*	14 A/F*
<b>M8 x 25L</b>	5.5mm	3.5mm
<b>M8 x 30L</b>	10.5mm	8.5mm
<b>M8 x 45L</b>	25.5mm	23.5mm

\* Dimension difference of 2mm is due to differing T-Slot dimensions between profile sizes

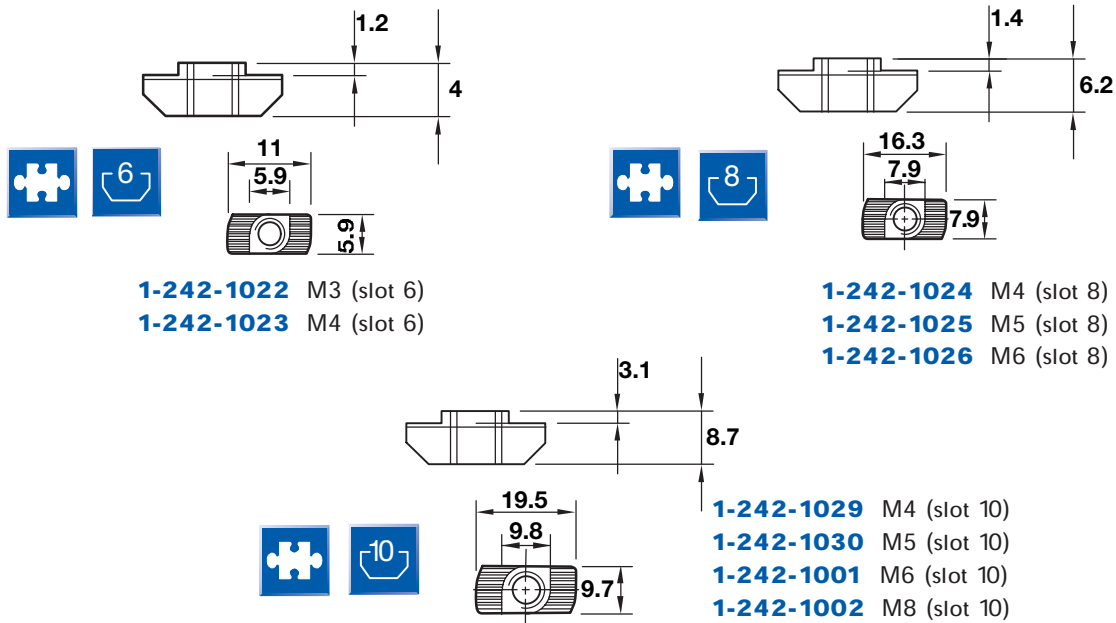
## Technical Data

	Connection Screw	T-Bolt & Flange Nut
<b>Material</b>	Steel EN3B	Steel EN3B
<b>Finish</b>	Zinc Plated	Zinc Plated
<b>Mass</b>	<b>1-242-1033</b> 0.01kg/ea <b>1-242-1034</b> 0.01kg/ea <b>1-242-1005</b> 0.01kg/ea <b>1-242-1011</b> 0.02kg/ea	<b>1-242-1009</b> 0.01kg/ea <b>1-242-1000</b> 0.01kg/ea <b>1-242-1010</b> 0.02kg/ea <b>1-242-1006</b> 0.02kg/ea

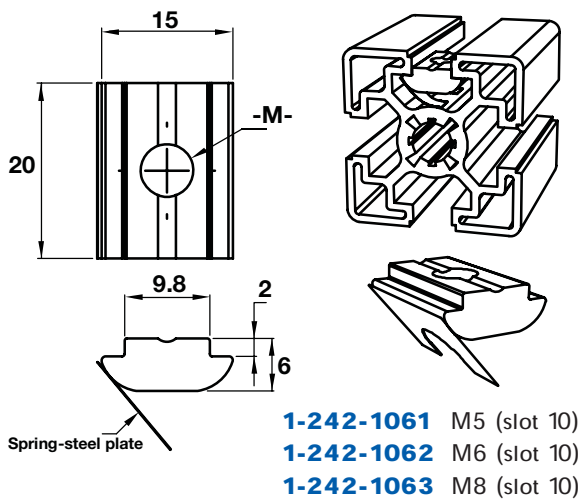


# Profile Connections

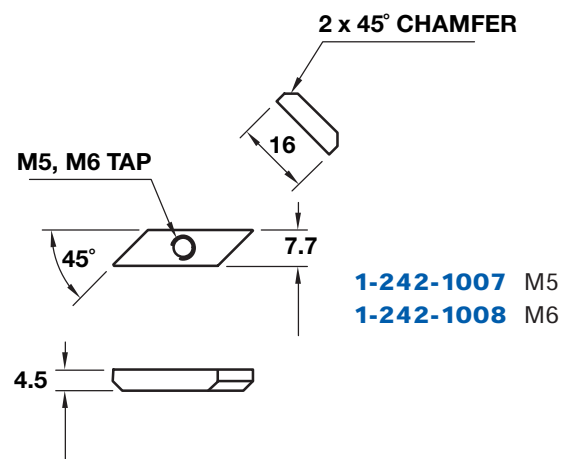
## T-Nuts



## Sprung Loaded T-Nuts



## Angled Nut



## Technical Data

	T-Nut	T-Nut	T-Nut	Sprung Loaded T-Nuts	Angled Nut
<b>Material</b>	Steel EN3B	Steel EN3B	Steel EN3B	Steel EN3B	Steel EN3B
<b>Finish</b>	Zinc Plated	Zinc Plated	Zinc Plated	Zinc Plated	Zinc Plated
<b>Mass</b>	0.002kg/ea	0.004kg/ea	0.007kg/ea	0.013kg/ea	0.002kg/ea

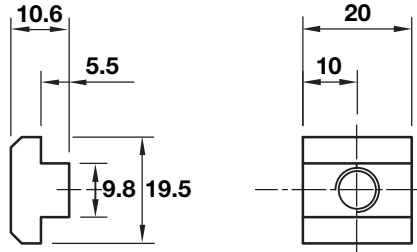
Sold & Serviced By:  
**ELECTROMATE**  
 Toll Free Phone (877) SERV098  
 Toll Free Fax (877) SERV099  
 www.electromate.com  
 sales@electromate.com

# Profile Connections

## Slot Block



- 1-242-1031** M5 (slot 10)
- 1-242-1013** M6 (slot 10)
- 1-242-1032** M8 (slot 10)

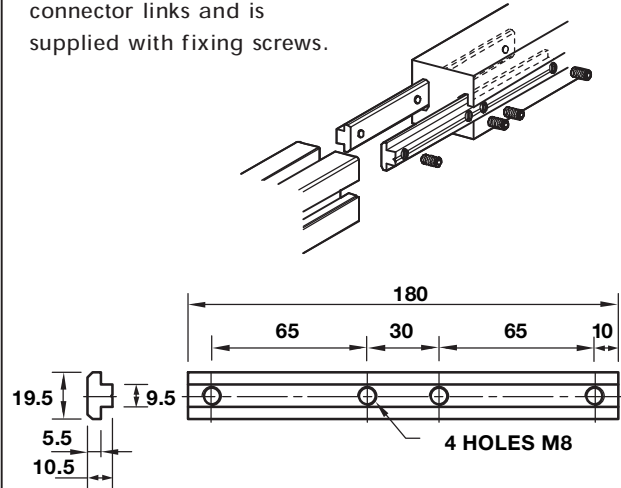


## Connector Link Set



**1-242-1020 S**

Set comprises two connector links and is supplied with fixing screws.

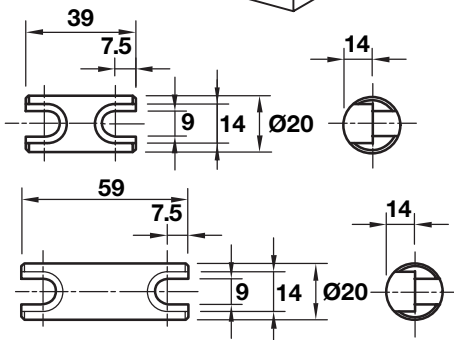
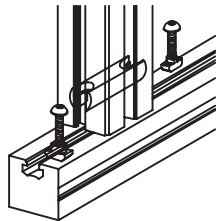


## Bolt Connector Set



- 1-242-1004 S** 20 x 39L  
Use with 40 x 40 and 40 x 80 profile
- 1-242-2021 S** 20 x 59L  
Use with 60 x 60 profile

Supplied complete with fixing screws and T-Nuts

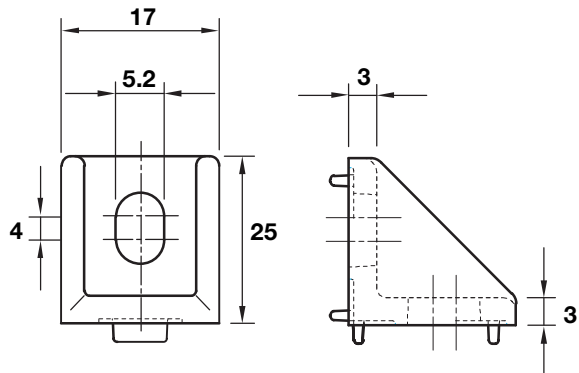


## Bracket 17 x 25



**1-242-1725**

Note: Customer to supply 2 of M4 x 10, 10Nm cap head screw and use with M4 T-Nut 1-242-1023



### Technical Data

	Slot Block	Connector Link Set	Bolt Connector Set	Bracket 17x25
<b>Material</b>	Steel EN3B	Steel EN3B	Steel EN3B	Aluminium
<b>Finish</b>	Zinc Plated	Zinc Plated	Zinc Plated	None
<b>Mass</b>	0.02kg/ea	0.38kg/ea	39L 0.05kg/ea 59L 0.10kg/ea	0.02kg/ea

Sold & Serviced By:



Toll Free Phone (877) SERV098

Toll Free Fax (877) SERV099

www.electromate.com

sales@electromate.com

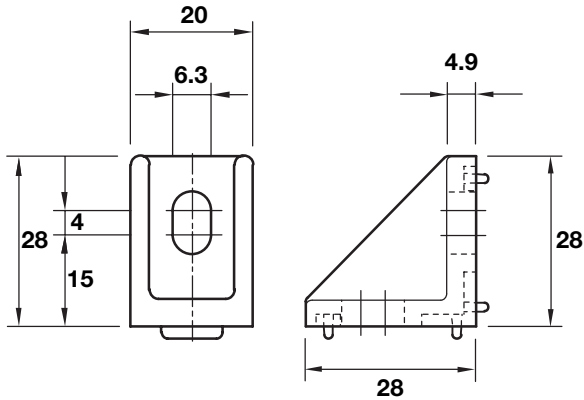
# Profile Connections

## Bracket 20 x 28

1-242-2028



Note: Customer to supply 2 of M6 x 10, 10 Nm cap head screw and use with T-Nut 1-242-1026

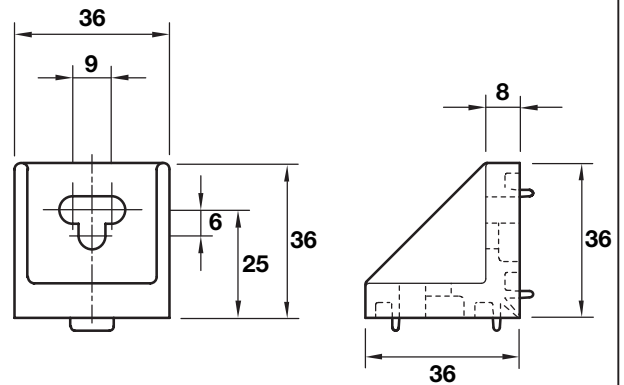


## Bracket 36 x 36

1-242-3636



Note: Use with T-Bolt M8 x 30L 1-242-1000 and Flange Nut M8 x 12 A/F 1-242-1101

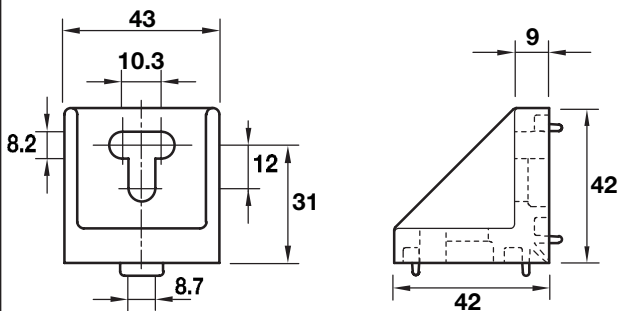


## Bracket 42 x 43

1-242-4243



Note: Use with T-Bolt M8 x 30L 1-242-1000 and Flange Nut M8 x 12 A/F 1-242-1101

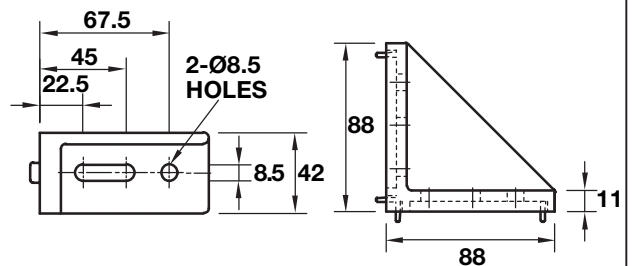


## Bracket 42 x 88

1-242-4288



Note: Use with T-Bolt M8 x 30L 1-242-1000 and Flange Nut M8 x 12 A/F 1-242-1101



### Technical Data

Bracket	20 x 28	36 x 36	42 x 43	42 x 88
Material	Aluminium	Aluminium	Aluminium	Aluminium
Finish	None	None	None	None
Mass	0.02kg/ea	0.04kg/ea	0.06kg/ea	0.15kg/ea

Sold & Serviced By:



Toll Free Phone (877) SERV098

Toll Free Fax (877) SERV099

www.electromate.com

sales@electromate.com

For key reference see page 1

# Profile Connections

## Bracket 57 x 57

1-242-5757



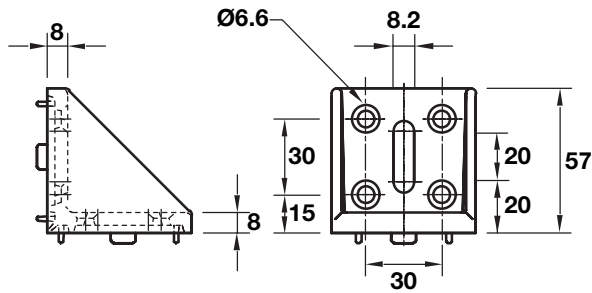
Note:

**60 x 60 profile**

Use with T-Bolt M8 x 30L 1-242-1000 and Flange Nut M8 x 12 A/F 1-242-1101

**30x60 profile**

Customer to supply 8 of M6 x 16, 10Nm csk head screw and use with T-Nut 1-242-1026

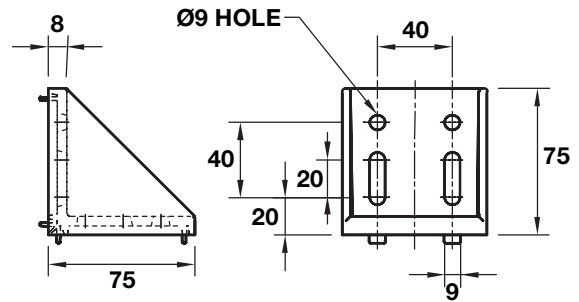


## Bracket 75 x 75

1-242-7575



Note: Use with T-Bolt M8 x 30L 1-242-1000 and Flange Nut M8 x 12 A/F 1-242-1101

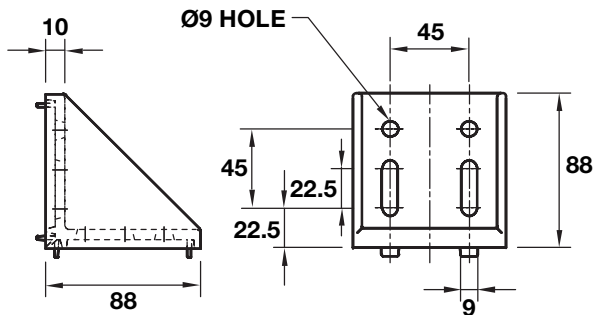


## Bracket 88 x 88

1-242-8888



Note: Use with T-Bolt M8 x 30L 1-242-1000 and Flange Nut M8 x 12 A/F 1-242-1101

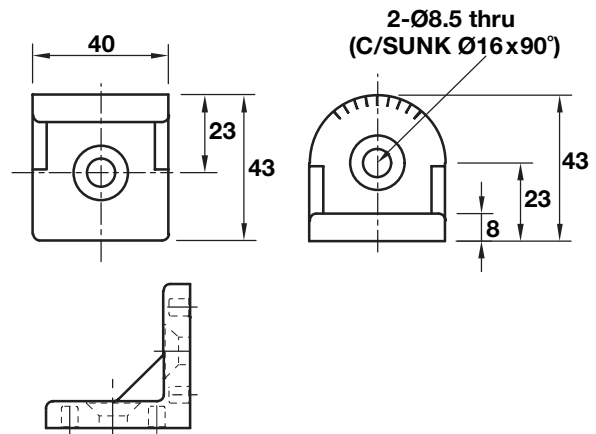


## Angle Bracket

1-242-1018S



Supplied as a set with fixing screws and T-Nuts



### Technical Data

Bracket	57 x 57	75 x 75	88 x 88	Angle Bracket
Material	Aluminium	Aluminium	Aluminium	Zinc Die-cast
Finish	None	None	None	None
Mass	0.12kg/ea	0.25kg/ea	0.30kg/ea	0.10kg/ea

Sold & Serviced By:



Toll Free Phone (877) SERV098

Toll Free Fax (877) SERV099

www.electromate.com

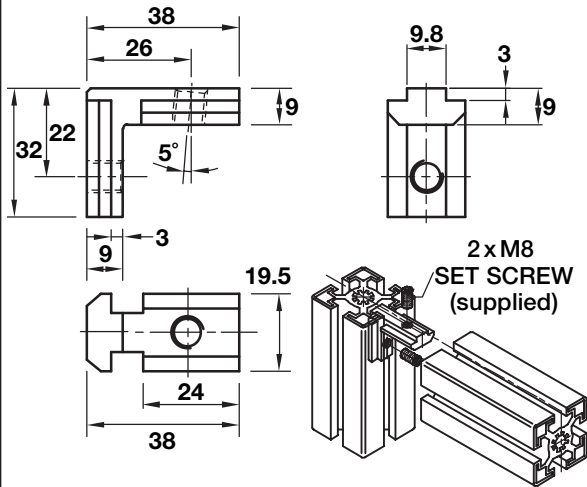
sales@electromate.com



# Profile Connections

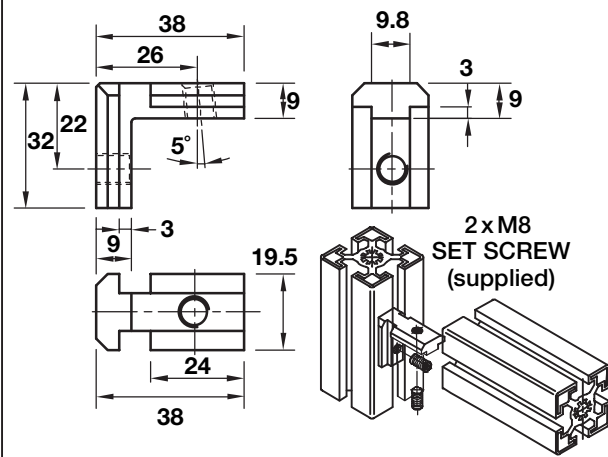
## Interior Bracket (A)

1-242-1039



## Interior Bracket (B)

1-242-1040



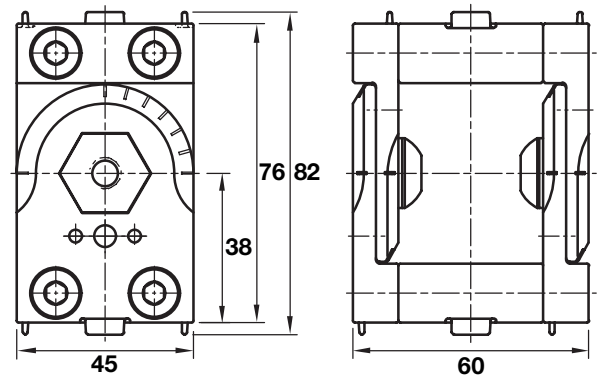
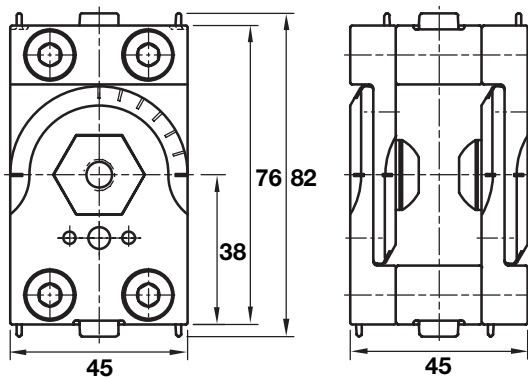
## Knuckle Joints



Supplied as a set with all fixings required.

**1-242-4548** For use with 45 x 45

**1-242-4570** For use with 45 x 60



### Technical Data

Bracket	Interior (B)	Interior (A)	Knuckle Joints
Material	Zinc Die-cast	Zinc Die-cast	Zinc Die-cast
Finish	None	None	None
Mass	0.06kg/ea	0.06kg/ea	<b>1-242-4548</b> 0.54kg/set <b>1-242-4570</b> 0.62kg/set

Sold & Serviced By:



Toll Free Phone (877) SERV098

Toll Free Fax (877) SERV099

www.electromate.com

sales@electromate.com

For key reference see page 1

# Profile Connections

## End Connector Set

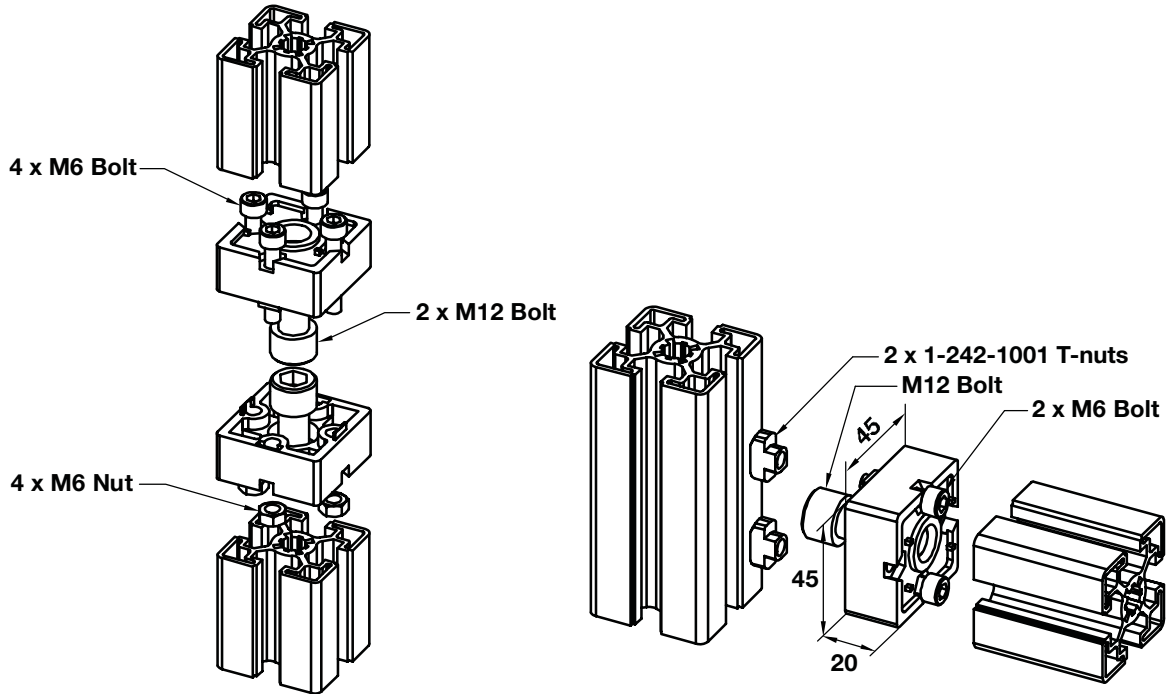
1-242-4547S



Supplied in two parts with fixing screws. Location tabs may be easily removed where required.

**Material** – Die-cast Zinc

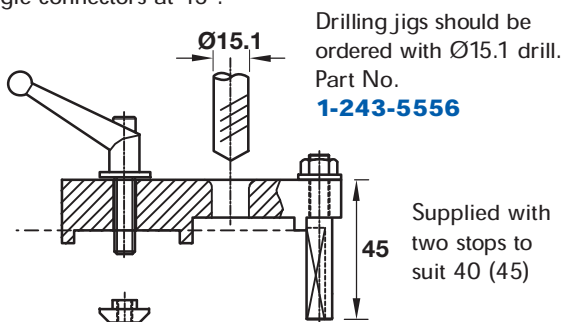
**Mass** – 0.45kg/set



## Flexi Connector Drilling Jig 45° ends

1-242-4561

For speedy drilling when using mitre connectors or angle connectors at 45°.



Drilling jigs should be ordered with Ø15.1 drill. Part No. **1-243-5556**

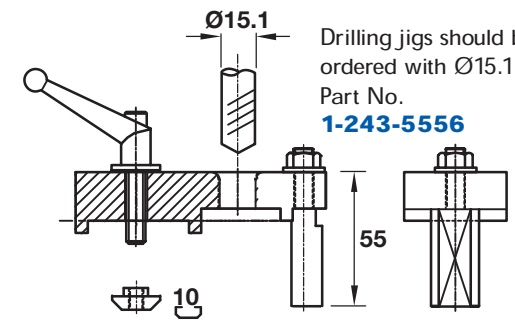
Supplied with two stops to suit 40 (45)

**Material** – Steel with Black Oxide finish

## Flexi Connector Drilling Jig 90° ends

1-242-4562

For speedy drilling for all 90° joint connectors.


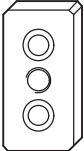



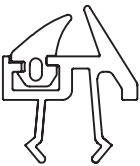
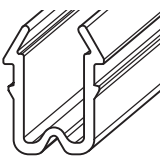
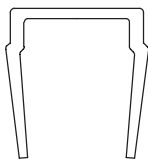
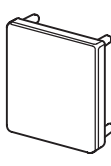
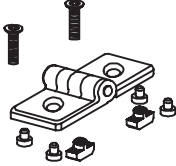
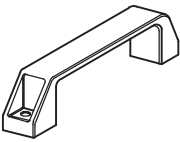
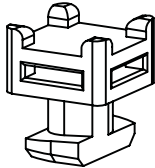
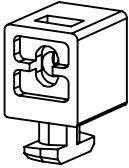

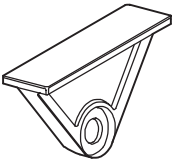


Drilling jigs should be ordered with Ø15.1 drill. Part No. **1-243-5556**

Multifunction end stop to suit 40 (45)

**Material** – Steel with Black Oxide finish

## Accessories

<p><b>Feet</b> see page 26</p> 	<p><b>Foot Plates</b> see page 27</p> 	<p><b>Foundation Bracket</b> see page 28</p> 	<p><b>Castors</b> see page 29</p> 	<p><b>T-Slot Glazing Strip</b> see page 30</p> 
<p><b>Panel Holder</b> see page 30</p> 	<p><b>Panel Guide</b> see page 30</p> 	<p><b>Cover Strip</b> see page 31</p> 	<p><b>End Caps</b> see page 31</p> 	<p><b>Hinge</b> see page 32</p> 
<p><b>Handle</b> see page 33</p> 	<p><b>Cable Clamp Block</b> see page 34</p> 	<p><b>Panel Mounting Block</b> see page 34</p> 	<p><b>Snap Hook</b> see page 34</p> 	<p><b>Suspended Slide</b> see page 34</p> 

A extensive range of accessories for the **MCS System** provides professional frame finishing, allows sliding and hinged door hanging, suspension of work tools, adjustable feet for non-level floors, and location of glazing panels.

These components are precision formed using PVC, ABS plastic, or coated steel for a hard-wearing and aesthetically-pleasing result.

Hepco also offers a range of hard-wearing Castors to suit the **MCS Machine Construction System** – details of these are on page 29. Castors for more specialist uses can be easily sourced by Hepco – ask us for details if any of the standard range is not suitable for a particular application.

 **ELECTROMATE**

Toll Free Phone (877) SERV098

Toll Free Fax (877) SERV099

[www.electromate.com](http://www.electromate.com)

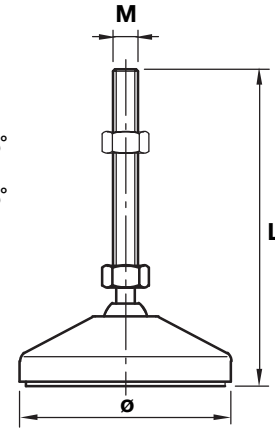
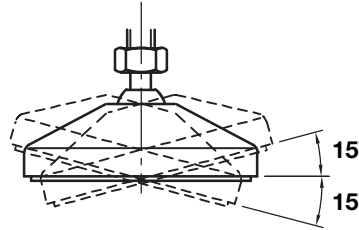
[sales@electromate.com](mailto:sales@electromate.com)

# Accessories

## Foot



Adjustable height with 15° of movement allows for uneven floor surfaces. Profile end requires tapping.

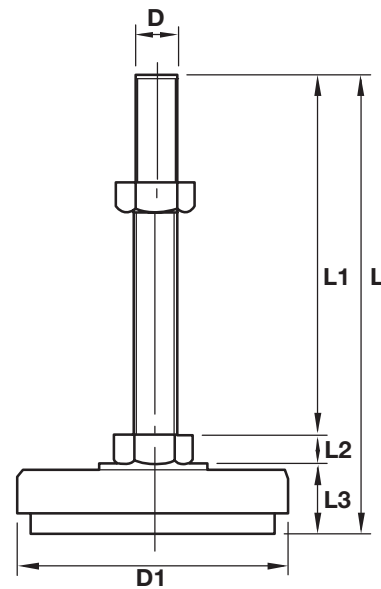


Part No.	Tap Size	Diameter	Length	Mass
1-243-0030	M8	40	60	0.04kg/ea.
1-243-0050	M12	60	150	0.17kg/ea.
1-243-0051	M12	100	150	0.23kg/ea.
1-243-0040	M16	60	150	0.28kg/ea.
1-243-0041	M16	100	150	0.33kg/ea.

## Steel Foot – cushioning type



Part No.	D	D1	L	L1	L2	L3	Mass
1-243-0020	8	40	63	40	6	17	0.85kg/ea.
1-243-0021	12	48	152	125	8	19	0.15kg/ea.
1-243-0022	16	61	155	125	10	20	0.2kg/ea.



### Technical Data

	Foot	Steel Foot
Material	Plastic and Steel	Steel and Rubber
Finish	Steel/Zinc Plated Sold & Serviced By:	Plated

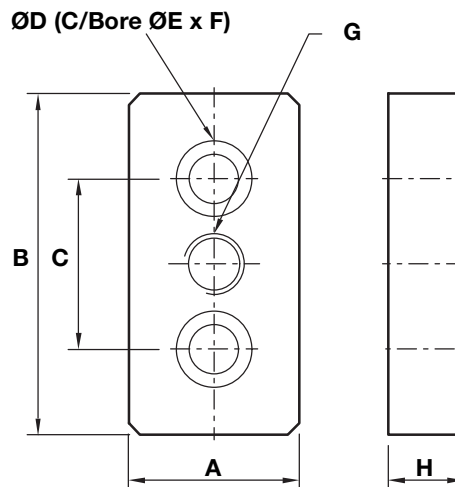


Toll Free Phone (877) SERV098  
Toll Free Fax (877) SERV099  
www.electromate.com  
sales@electromate.com

## Foot Plates

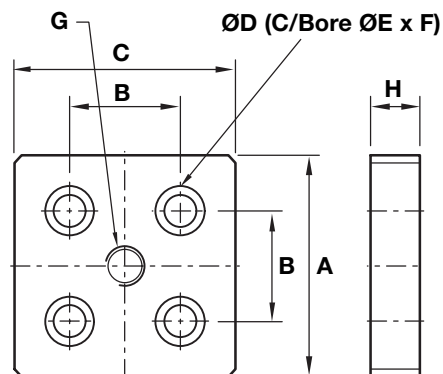


Allows assembly of Foot on rectangular profiles, which have no central fixing hole.



Part No.	Recommended for	A	B	C	D	E	F	G	H	Mass kg
1-243-0114	20x40	20	40	20	5.5	9.5	5.4	M8	8	0.05
1-243-0115	30x60	30	60	30	9	14	8.6	M8	12	0.17
1-243-0116	40x80	40	80	40	13	20	13	M16	20	0.5
1-243-0112	45x90	45	90	45	13	20	13	M16	20	0.5

Allows assembly of Foot on square profiles, which have no central fixing hole.



Part No.	Recommended for	A	B	C	D	E	F	G	H	Mass kg
1-243-0117	80x80	80	40	80	14	20	13	M16	20	1.0
1-243-0113	90x90L	90	45	90	13	20	13	M16	20	1.0

## Technical Data

	Rectangular Foot Profile	Square Foot Profile
<b>Material</b>	Steel EN32	Steel EN32
<b>Finish</b>	Black Oxide	Black Oxide

Sold & Serviced By:

Toll Free Phone (877) SERV098

Toll Free Fax (877) SERV099

www.electromate.com

sales@electromate.com

For key reference see page 1

## Accessories

### Foundation Bracket

1-242-1019



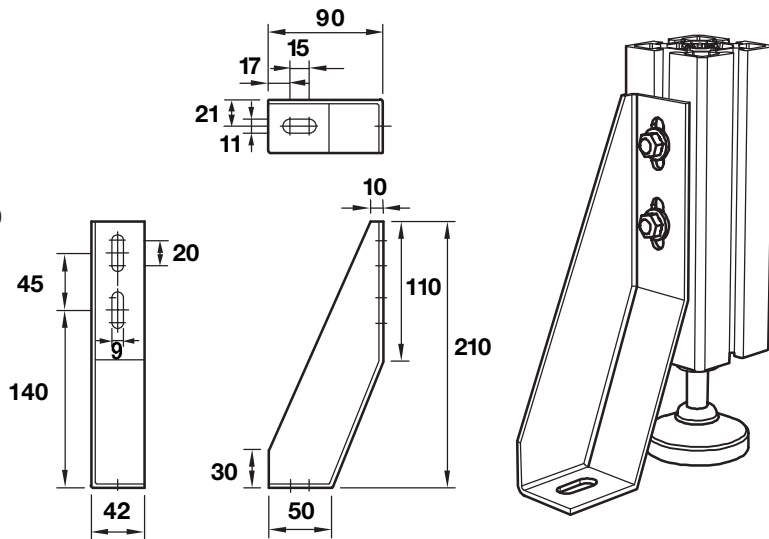
Rigidly fixes a frame to the floor –  
use in conjunction with foot to allow  
levelling before fixing.

Order with:

2 of M8 x 25L T-Bolt 1-242-1009

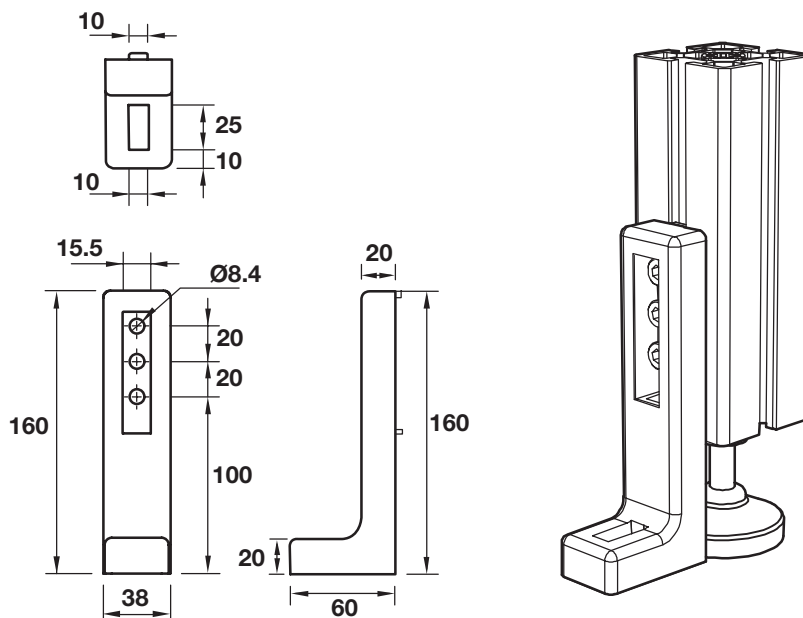
2 of M8 x 14 A/F Flange Nut 1-242-1100

Customer to supply floor fixing bolt.



### Floor Bracket

1-242-1019 F



### Technical Data

	Foundation Bracket	Floor Bracket
<b>Material</b>	Steel EN32	Zinc Die-cast
<b>Finish</b>	Black Oxide	Black Powder Coated
<b>Mass</b>	0.44kg/ea	0.46kg/ea

Sold & Serviced By:

 **ELECTROMATE**

Toll Free Phone (877) SERV098

Toll Free Fax (877) SERV099

[www.electromate.com](http://www.electromate.com)

[sales@electromate.com](mailto:sales@electromate.com)



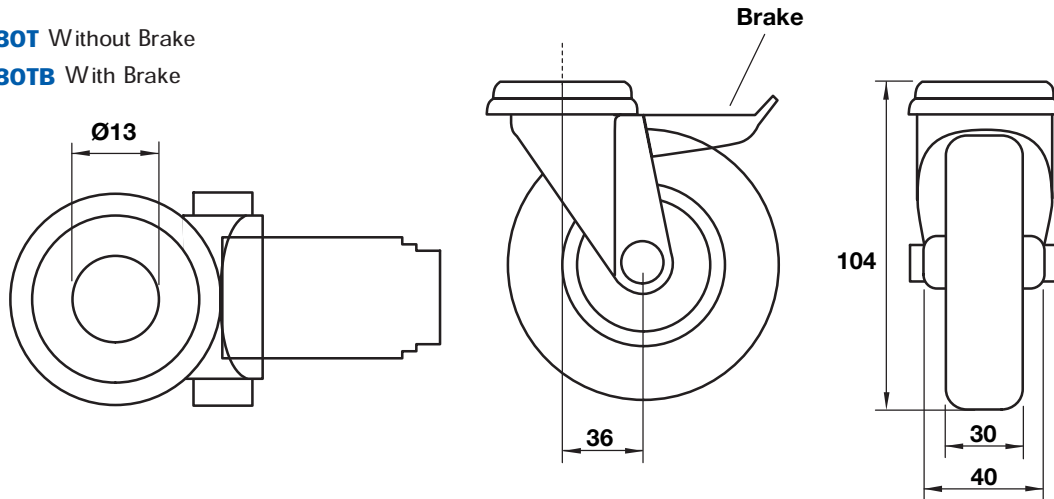
## Castors



Swivel type. Through hole fixing makes these castors suitable for end fixing into profiles from 40x40L to 90x90L (using M12 cap head fixing screw). Other castors for profiles outside this range available on request, or see the flange fixing type below.

**C80T** Without Brake

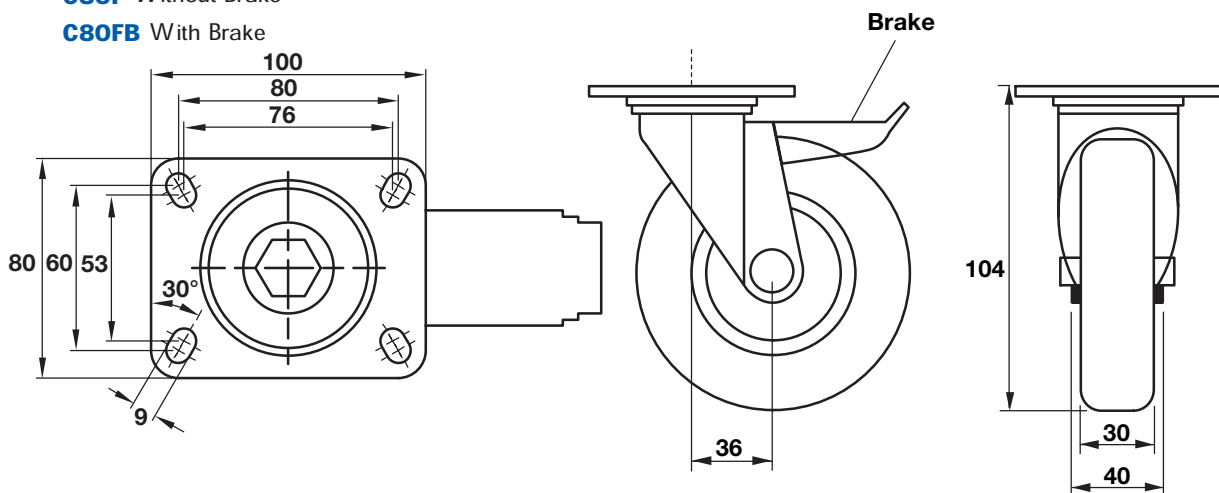
**C80TB** With Brake



Swivel type. Flange plate fixing allows inboard mounting using the 9mm slots provided.

**C80F** Without Brake

**C80FB** With Brake



## Technical Data

Castors	C80T/TB	C80F/FB
Body	Zinc Plated Steel	Zinc Plated Steel
Wheel	Nylon	Nylon
Tyre	Polyurethane	Polyurethane
Wheel Diameter	80mm	80mm
Load Capacity	90kg/ea	90kg/ea
Mass	0.65kg/ea	0.65kg/ea

Sold & Serviced By:



Toll Free Phone (877) SERV098

Toll Free Fax (877) SERV099

www.electromate.com

sales@electromate.com

For key reference see page 1

## Accessories

**8mm T-Slot Glazing Strip** 8  
**1-242-1056**

2 Strips for panels  
2mm to 4mm

1 Strip for panels  
5mm to 6mm

**10mm T-Slot Glazing Strip** 10  
**1-242-1057**

**1-242-1057A**  
40/80/160 sections

**1-242-1057B**  
45/60/90 sections

**Panel Holder** 10  
**1-242-1045**

For use in profiles with slot size 10. The two part holder can be inserted into a pre-assembled frame and allows 5mm panels to be inserted/removed in situ. Supplied in 3m random length.

**Panel Guide** 8  
**1-242-1049**

For use in profiles with slot size 8. Requires panel and panel guide to be fitted during assembly of the structural frame. Supplied in 3m random length.

### Technical Data

	T-Slot Glazing Strip	Panel Holder	Panel Guide
<b>Material</b>	Rubber	PVC/Rubber	ABS Plastic
<b>Finish</b>	Black	Black	Black
<b>Mass</b>		3000mm	3000mm
<b>Max. Length</b>	Cut to length	-	-

Sold & Serviced By:  
 ELECTROMATE

Toll Free Phone (877) SERV098  
 Toll Free Fax (877) SERV099  
[www.electromate.com](http://www.electromate.com)  
[sales@electromate.com](mailto:sales@electromate.com)

# Accessories

## Cover Strip

Improves the appearance of the finished frames, protects T-slots from contamination and secures electrical cable. Push fit. Supplied in 3m random lengths.  
New Aluminium strips for 10mm slots.



**1-242-1037**  
For slot size 6

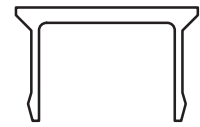
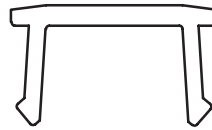
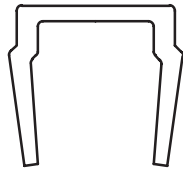
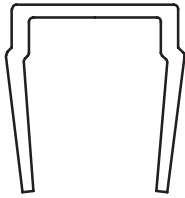


**1-242-1038**  
For slot size 8



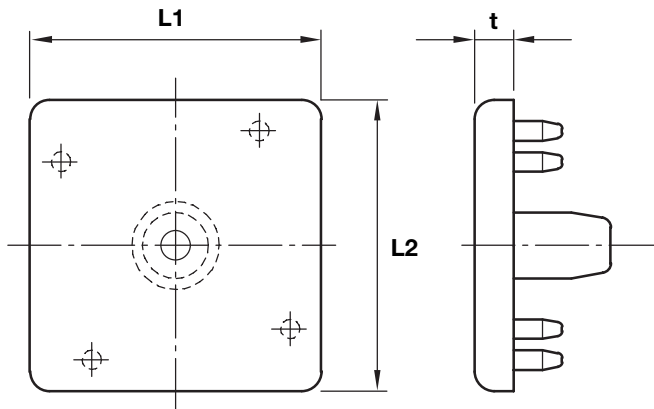
**1-242-1016**  
For slot size 10

Aluminium  
**1-242-1054(40)**  
**1-242-1055(45)**  
For slot size 10



## End Caps

For use with Structural Profile Sections. Push fit.



L1 x L2	t	Part No.
20 x 20	3	<b>1-243-4049</b>
20 x 40	3	<b>1-243-4050</b>
30 x 30	4	<b>1-243-4047</b>
30 x 60	4	<b>1-243-4051</b>
30 x 90	4	<b>1-243-4056</b>
40 x 40	4	<b>1-243-4041</b>
40 x 80	4	<b>1-243-4052</b>
40LR	4	<b>1-243-4053</b>
45 x 45	4	<b>1-243-4042</b>
45 x 60	4	<b>1-243-4043</b>
45 x 90	4	<b>1-243-4044</b>
45LR	4	<b>1-243-4054</b>
60 x 60	4	<b>1-243-4045</b>
80 x 80	4	<b>1-243-4055</b>
80 x 160	4	<b>1-243-4055 x2</b>
90 x 90	4	<b>1-243-4046</b>

## Technical Data

	Cover Strip	End Caps
<b>Material</b>	Aluminium or PVC	ABS Plastic
<b>Finish</b>	Anodized/Black (other colours available)	Black
<b>Max. Length</b>	3000mm	-
<b>Mass</b>	0.04kg/m	-
<b>Mass</b>	0.06kg/m	-

Sold & Serviced By:



Toll Free Phone (877) SERV099

Toll Free Fax (877) SERV099

www.electromate.com

sales@electromate.com

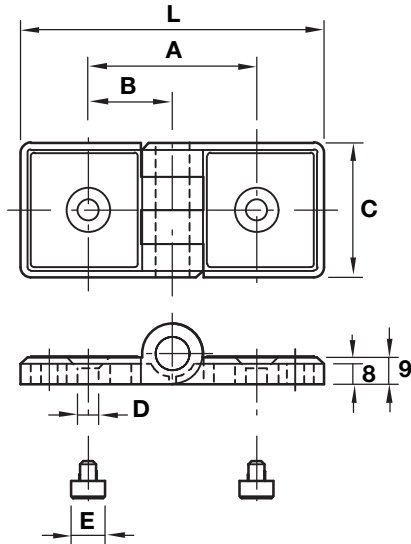
For key reference see page 1

# Accessories

## Hinge (Plastic)



Supplied individually or as a set complete with all relevant T-Nuts, screws and fixings. To order the set append part no. with an 'S'.



**1-243-4048 (S)**

To hinge size 30 profiles (fixed type)

**1-243-4545 (S)**

To hinge size 45 profiles (fixed type)

**1-243-4060 (S)**

To hinge size 30 profile to a size 45 profile (fixed type)

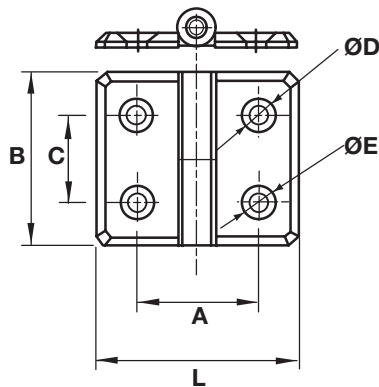
(S): Complete with fixings

Part No.	L	A	B	C	øD	øE
<b>1-243-4048</b>	61	35	17.5	40	6.2	8
<b>1-243-4545</b>	90	50	25	40	6.2	10
<b>1-243-4560</b>	74.5	42.5	17.5/25	40	6.2	8/10

## Hinge (Die-cast)



All hinges supplied as a set complete with standard fixings.



**1-243-6074 (S)** R/H 40x40

**1-243-6073 (S)** L/H 40x40

To hinge size 40 (lift off type see example page 37)

**1-243-6070 (S)**

To hinge size 40 (fixed type)

**1-243-8085 (S)**

To hinge size 45 (fixed type)

**1-243-7006 (S)** R/H 45x45

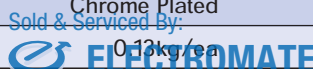
**1-243-7005 (S)** L/H 45x45

To hinge size 45 (lift off type see example page 37)

Part No.	L	A	B	C	øD	øE
<b>1-243-6073(S)</b>	70	42	60	30	12	6.2
<b>1-243-6074(S)</b>	70	42	60	30	12	6.2
<b>1-243-7005(S)</b>	80	47	60	30	12	6.2
<b>1-243-7006(S)</b>	80	47	60	30	12	6.2
<b>1-243-6070(S)</b>	70	42	60	30	12	6.2
<b>1-243-8085(S)</b>	80	47	60	30	12	6.2

### Technical Data

	Hinge	Hinge 40	Hinge 45	Hinge Lift Off
<b>Material</b>	Nylon	Zinc Die-cast	Zinc Die-cast	Zinc Die-cast
<b>Finish</b>	Black	Chrome Plated	Chrome Plated	Chrome Plated
<b>Mass</b>	0.08kg/ea	0.13kg/ea	0.13kg/ea	0.13kg/ea



Toll Free Phone (877) SERV098  
 Toll Free Fax (877) SERV099  
[www.electromate.com](http://www.electromate.com)  
[sales@electromate.com](mailto:sales@electromate.com)

# Accessories

## Handle (Plastic)

1-243-0033 1-243-0034



For profiles with slot size 8 and 10

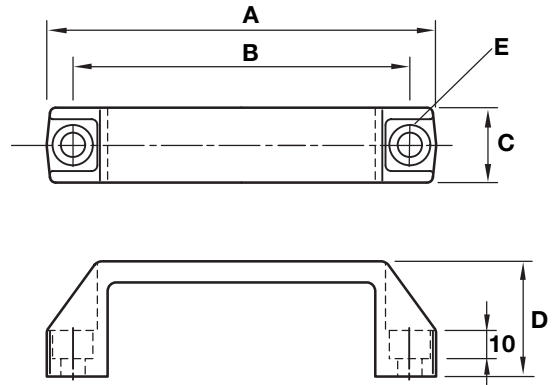
For slot 8 profile, order with: 2 off M6 T-Nut 1-242-1026

For slot 10 profile, order with: 2 off M8 T-Nut 1-242-1002

Customer to supply 2 off M6 or M8 10Nm cap head fixing screw and suitable washers.

1-243-0033 135L

1-243-0034 146L



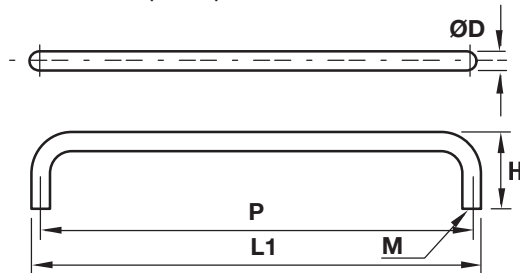
Part No.	A	B	C	D	E
1-243-0033 135L	135	117	26	40	Ø8 hole Ø14 C/BORE
1-243-0034 146L	146	126	32	45	Ø8 hole Ø14 C/BORE

## Stainless Steel Roundbar Handles

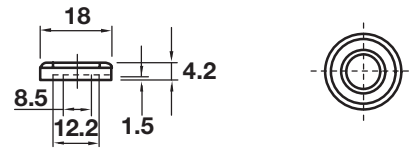
1-243-0052 1-243-0053



2x washers required per handle.



1-243-0054 Washer



Part No.	L1	H	P	ØD	M
1-243-0052	168	51	156	12	2 x M6
1-243-0053	137	51	125	12	2 x M6

### Technical Data

	Handle	Stainless Steel Roundbar Handles
Material	ABS Plastic	Stainless Steel
Finish	Black	-
Mass	Sold & Serviced By: 0.04kg/ea 	

Toll Free Phone (877) SERV098

Toll Free Fax (877) SERV099

www.electromate.com

sales@electromate.com

For key reference see page 1

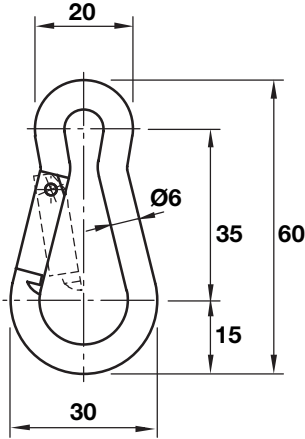
# Accessories

## Snap Hook

1-242-1015



Use with Suspended Slide - see right.

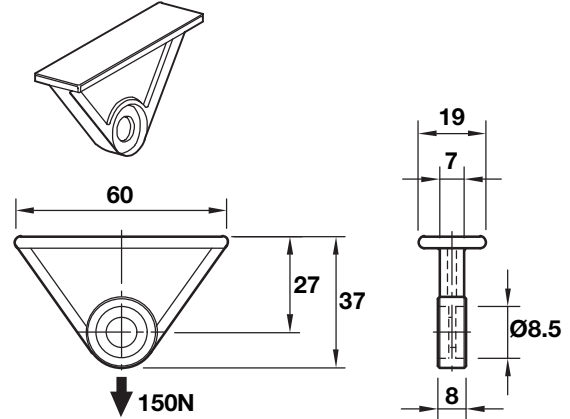


## Suspended Slide

1-242-1014



Slides in size 10 T-slots to suspend hand tools above a work table. Generally used with Snap Hook – see left.



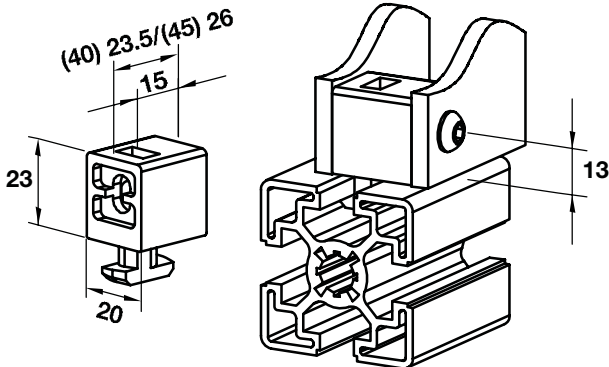
## Panel Mounting Block

(40) 1-242-1050

(45) 1-242-1051



For direct mounting of various thickness panels. Quick 90° release allows for assembly or re-positioning of block in Profile T-slot. Simply drill 6mm ø hole in panel to suit. Comes complete with retained M6 hexagon nut.



Panels can be fitted either side of blocks as dotted lines indicate.

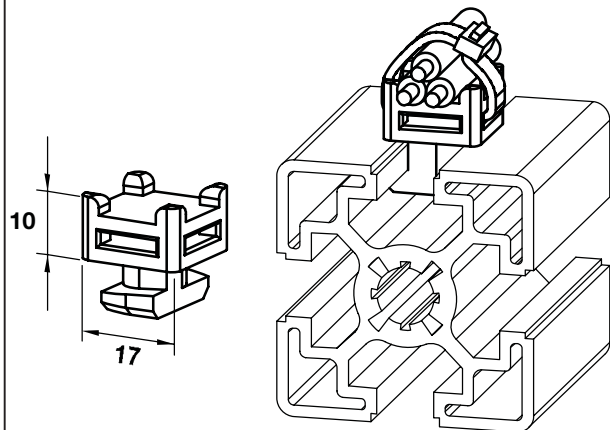
## Cable Clamp Block

(40) 1-242-1052

(45) 1-242-1053



For location of small cables along profile length.



## Technical Data

	Snap Hook	Suspended Slide	Panel Mounting Block	Cable Clamp Block
<b>Material</b>	EN3B	Nylon	Nylon 66 G13	ABS Plastic
<b>Finish</b>	Zinc Plated	Black	Black	Black
<b>Mass</b>	0.03kg/ea	0.01kg/ea	-	-

Sold & Serviced By:



Toll Free Phone (877) SERV098

Toll Free Fax (877) SERV099

www.electromate.com

sales@electromate.com

# Machine Fencing System

## Machine Fencing System (MFS)



The **HepcoMotion MFS Machine Fencing System** compatible with our **MCS** aluminium profile product range enables cost effective barriers to be constructed around machine installations such as Gantries, Pick and Place equipment and floor mounted robot systems.

Conforming to current Industry standards this maintenance free system is easy to construct and offers a lower cost alternative to similar systems.

**HepcoMotion's MFS system** can be supplied as pre-assembled panels to the customer's drawings or as individual components for the customer to machine and assemble in their own workshop. Delivery is fast with all major components carried ex-stock.

We would be pleased to discuss your future requirements for standard **MFS** components as well as specific non standard items such as locks, switches and specialist panel requirements.



Toll Free Phone (877) SERV098

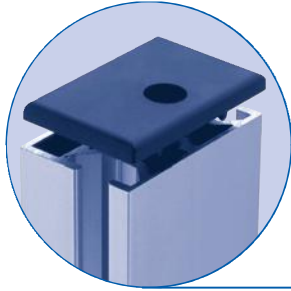
Toll Free Fax (877) SERV099

[www.electromate.com](http://www.electromate.com)

[sales@electromate.com](mailto:sales@electromate.com)



# Machine Fencing System



### End cap

End caps to close off the slot profiles and vertical profile sections.

📖39



### Two-slot profile

Provides a mid section support either vertical or horizontal to break up large single frames and ensure maximum rigidity to the assembled mesh/panel. 📖38



### One-slot profile

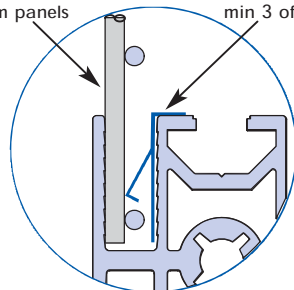
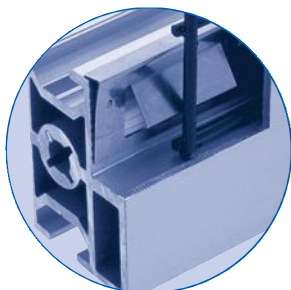
A light but very rigid section used for the main frame surround. A deep 8mm wide slot allows an extensive range of mesh and panel options to be fitted in combination with the **Panel retaining clip**. An 8mm T-slot allows further attachment of additional accessories should the need arise. 📖38

### Mesh/Panel retaining clip detail

3mm welded mesh or 2-6mm panels

Panel retaining clip, min 3 off/metre

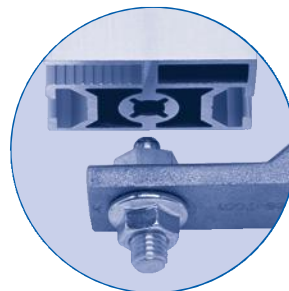
📖39



### Panel retaining clip

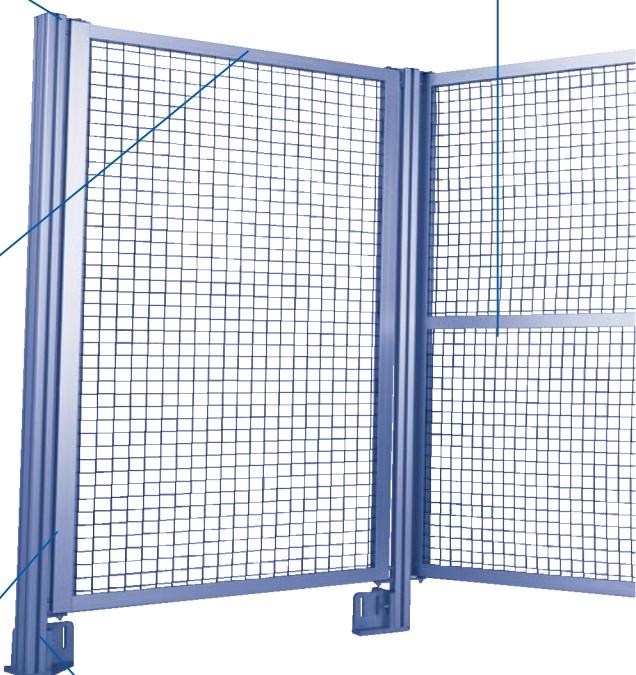
This unique fixing clip developed by Hepco will ensure that almost all types of wire mesh sheeting or polycarbonate/steel panels which are fitted within the 8mm slot profiles are securely retained and will not rattle or vibrate. Designed for 2-6mm sheet panels and all 3mm wire mesh, the sprung feet of the clip ensure universal fitting into the profile slot and the location teeth ensure the clips cannot become dislodged. (8mm panels and 4mm wire mesh do not normally require the additional use of these clips.)

The number of clips needed is dependant on the panel material being used.



### Panel fixing kit

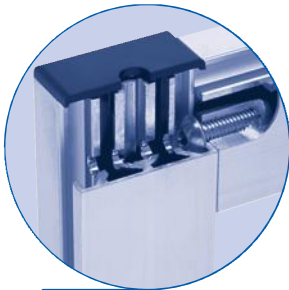
A complete kit of parts for securing the fencing panel to its vertical post support. The lower bracket with its domed location stud is fully adjustable to allow for small misalignments between the vertical posts. Two bolts at the top are all that is necessary to firmly secure the fencing panel in place no matter what size of panel is being used. The swivel action of the panel fixing kit allows panels to be laid out in at any angle not just 90 degrees. 📖39





### Vertical post

Utilising the MCS 45 Light and 45/90 Light sections the vertical post is secured into the **Foundation Block** with standard T-Bolts and Nuts. The 45/90 Light provides additional support and rigidity where long unsupported runs are necessary, corners, returns and around door frames. The 10mm T-slot allows the panel mounting kit, hinges etc. to be speedily assembled using standard or sprung loaded T-nuts. 10/12



### Connection screws

Used to secure **slot profiles** together and provide a strong and hidden 90-degree joint. 18

### Sliding doors

A range of sliding door movements can be incorporated into the Machine Fencing System with or without a lower support profile. This is especially useful where clear access is required through the enclosure for say forklift trucks etc. 40



### Panel options

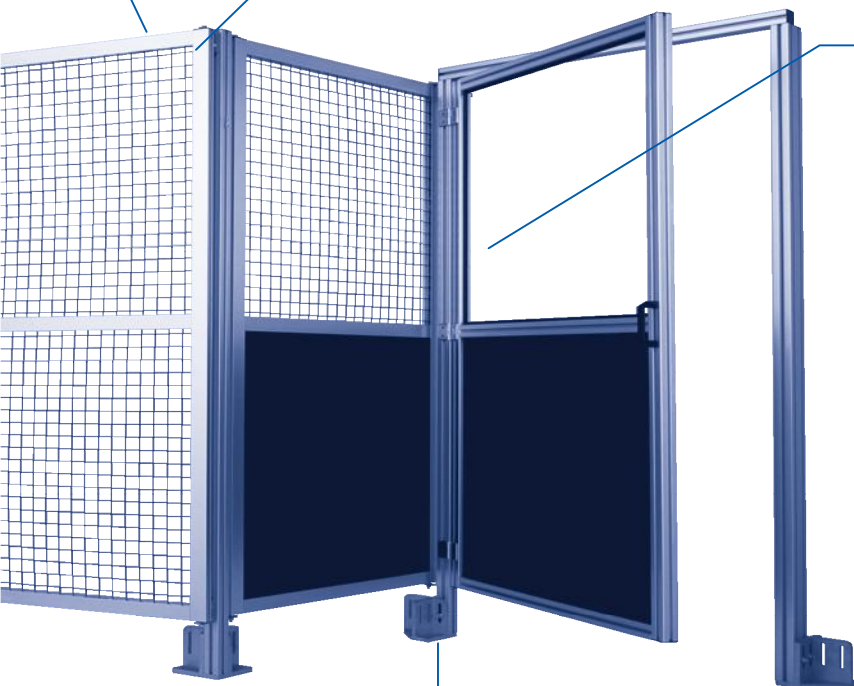
HepcoMotion's Machine Fencing System has been developed to allow designers to incorporate an extensive range of standard wire mesh and sheet panel options for almost any industrial situation. Panels up to 8mm thick can be fitted directly into the slot profiles. Special panels can be supplied to customers requirements.

### Wire mesh

Wire mesh in Ø3mm standard welded either self-coloured or black powder coated 25mm sq, 40mm sq, 50mm sq and 75 x 13 letterbox. (Non-standard 4mm, woven and special painting is available on request.)

### Polycarbonate panels

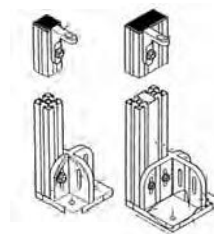
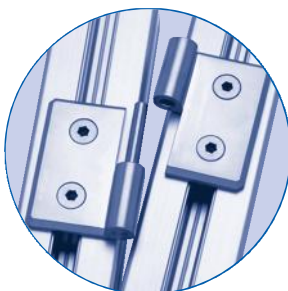
5 and 6mm in clear and coloured versions, including dense foam sheet which is ideal for fencing structures where through visibility is not a requirement.



### Die cast lift off hinge

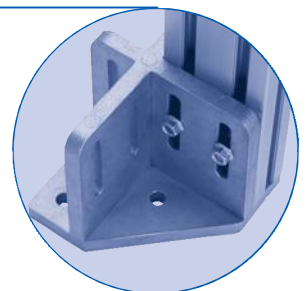
These plated hinges provide a strong and flexible method of attaching doors or windows and other movable panels within your fencing system.

Available in **L/H and R/H Lift off** options as well as a **fixed** version all supplied complete with the necessary fixings to our standard vertical posts. 32



### Foundation Block Kit

The foundation block will accept the **45L** and **45/90L Vertical posts** and is universally handed for all mounting requirements. Supplied complete with necessary **T-Bolts and Nuts**. 39



Sold & Serviced By:

**ELECTROMATE**

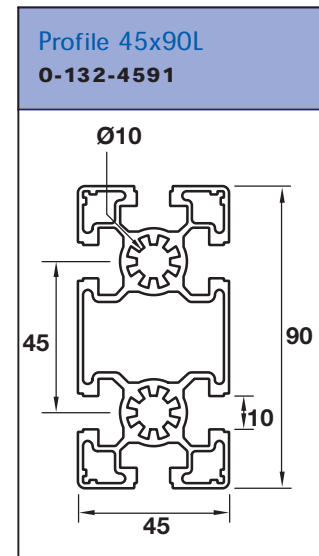
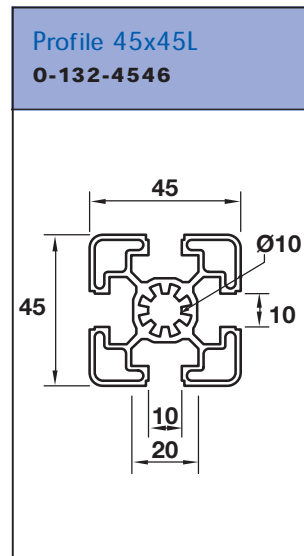
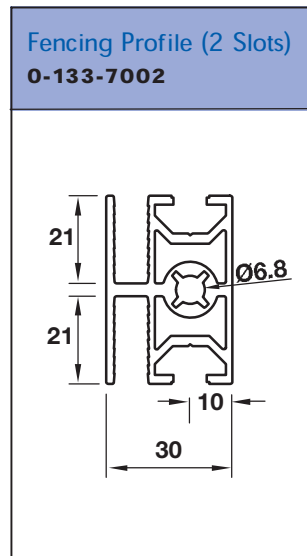
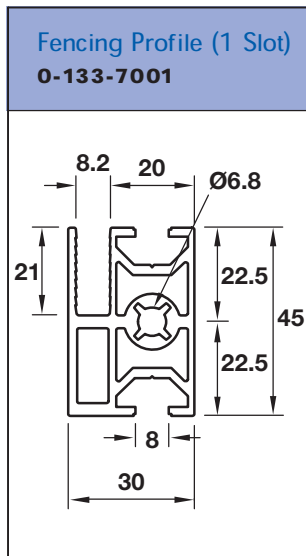
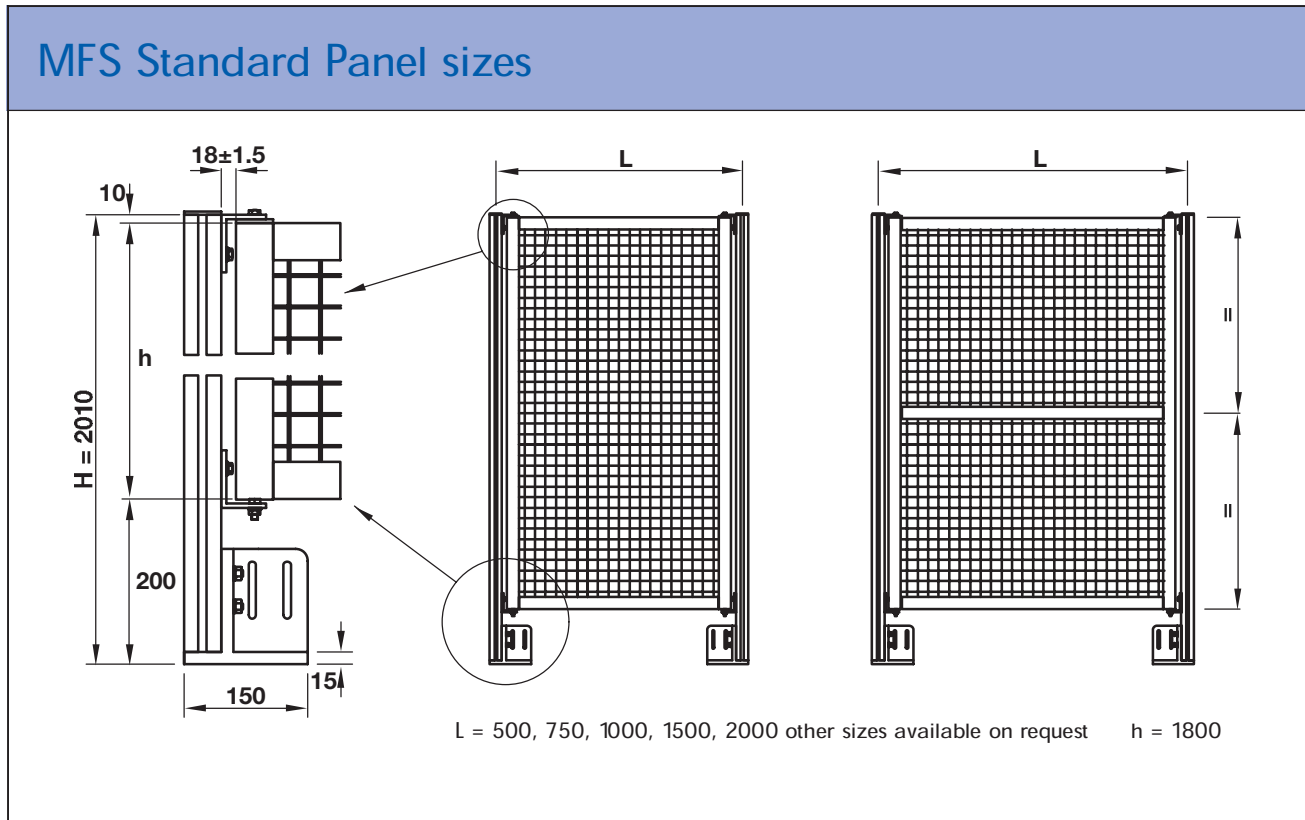
Toll Free Phone (877) SERV098

Toll Free Fax (877) SERV099

www.electromate.com

sales@electromate.com

# Machine Fencing System



## Technical Data

	Fencing Profile (1slot)	Fencing Profile (2 slots)	Profile 45x45L	Profile 45x90L
<b>Max. Length</b>	5600mm	5600mm	5600mm	5600mm
<b>Mass</b>	1.35kg/m	1.3kg/m	1.5g/m	3.15kg/m

Sold & Serviced By:



Toll Free Phone (877) SERV098

Toll Free Fax (877) SERV099

www.electromate.com

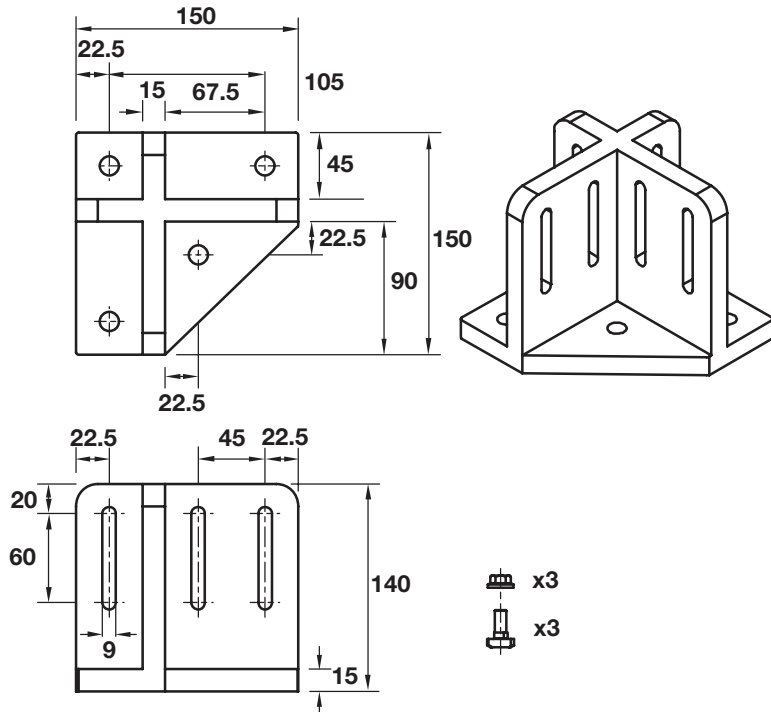
sales@electromate.com

# Machine Fencing System

## Foundation Block Set

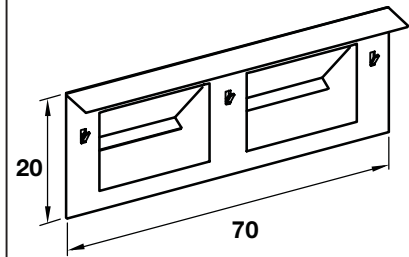
1-242-7700 S

Complete with T-Bolt fixings



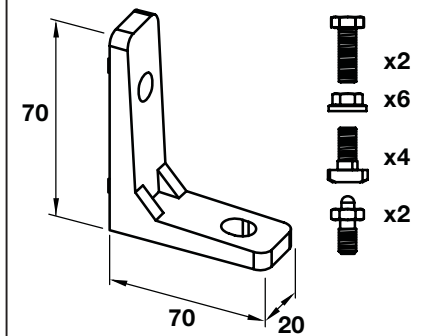
## Mesh/Panel Retaining Clip

1-243-7003



## Fixing Bracket Set

1-243-7001S



## Sponge Retaining Strip

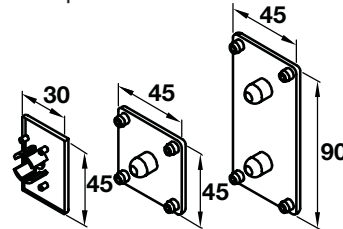
1-242-2510

(Retaining mesh in 45 profiles  
10mm T-slot)



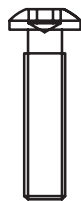
## End Caps

Slot profile **1-243-7002**  
45x45 profile **1-243-4042**  
45x90 profile **1-243-4044**



## Connection Screws

Connection screw for slot profiles  
**1-242-1034** (M8)  
Connection screw for  
45 & 90 profiles  
**1-242-1005** (M12)



## Technical Data

	Foundation Block Set	Fixing Bracket Set
<b>Material</b>	Aluminium	Aluminium
<b>Finish</b>	None	None
<b>Mass</b>	1.9kg/m	0.3kg/m

Sold & Serviced By:




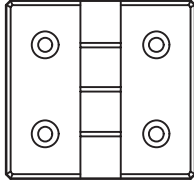
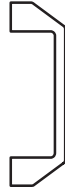
Toll Free Phone (877) SERV098


Toll Free Fax (877) SERV099

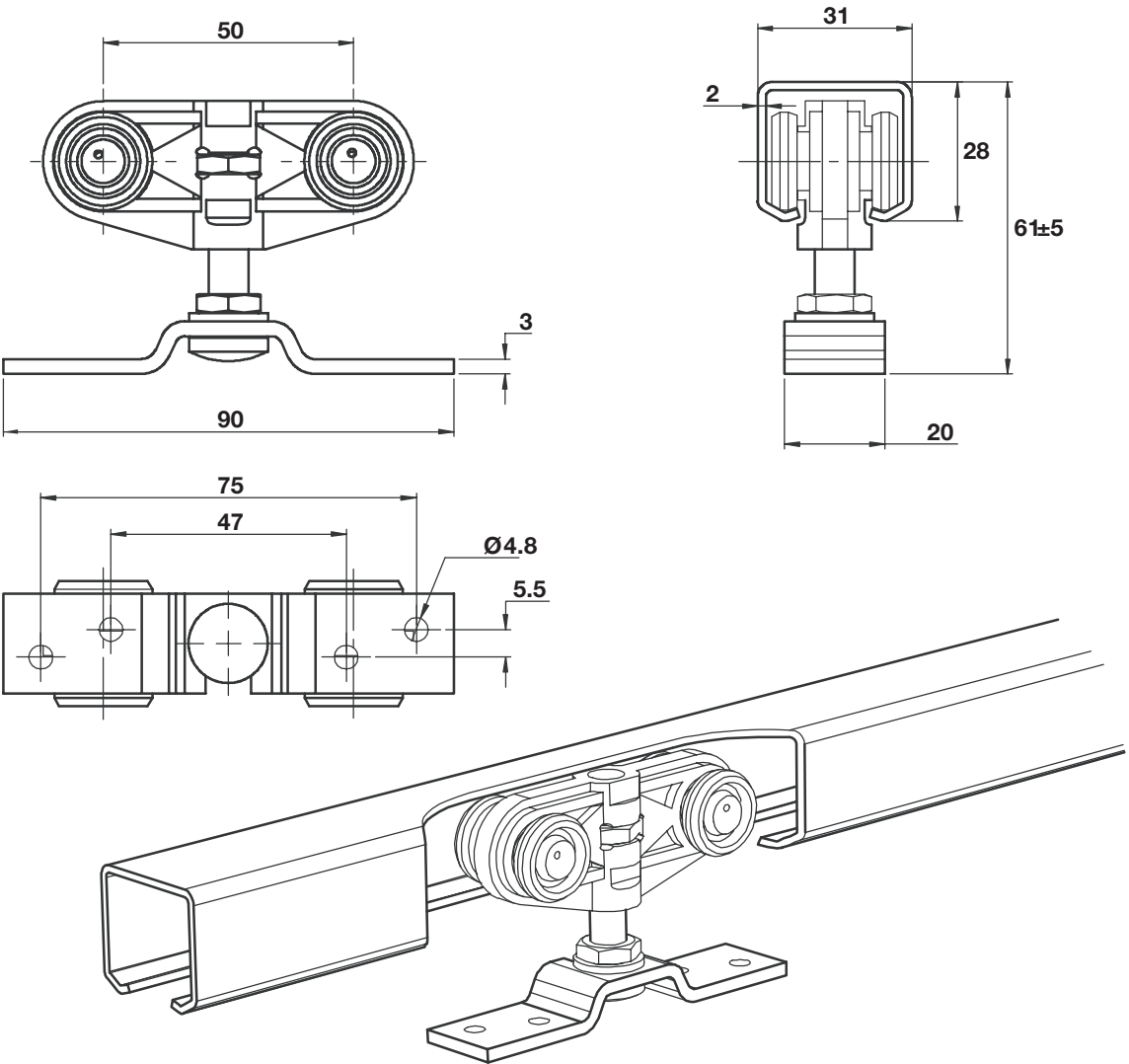
www.electromate.com

sales@electromate.com

# Machine Fencing System

Glazing Strip	Die Cast Hinges	Handle for 45 profiles
<p>See page 30</p> 	<p>See page 32. Lift off example page 37</p> 	<p>See page 33</p> 

Sliding Door System




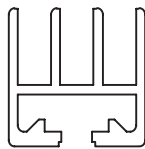
For further details please contact our Technical Sales Team.

## Specialist Sections

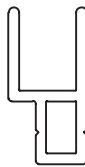
**Slide Profile**  
see page 42



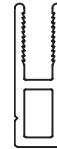
**Guide Profile**  
see page 42



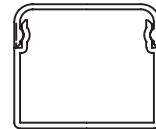
**Slot Profile (A)**  
see page 42



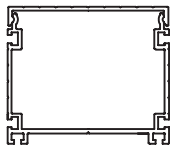
**Slot Profile (B)**  
see page 42



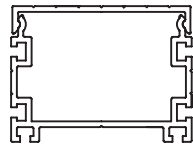
**Conduit Duct 40 x 35**  
see page 43



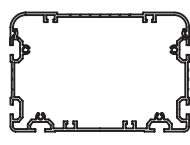
**Conduit Duct 80 x 60**  
see page 43



**Conduit Duct 100 x 85**  
see page 43



**Conduit Duct 180 x 120**  
see page 43



These profiles each have a specialised purpose. They expand and enhance the application of the structural profile sections detailed earlier, and can easily be combined with the structural sections shown previously within this catalogue.

Systems requiring wood, glass or acrylic panelling together with tray and storage bin holding will all benefit from the use of these sections. Additionally, the Conduit Duct Sections are useful to tidily route electrical and pneumatic services. The sliding door system can be customised to individual requirements – please contact our Technical Sales Team for further information.

All specialist profiles are extruded from Al6063-T5 aluminium and clear-coat anodised for a high level of protection. Like the structural sections detailed previously, most of these profiles are available in 5600mm lengths - see the individual profile section for details.

Sold & Serviced By:



Toll Free Phone (877) SERV098

Toll Free Fax (877) SERV099

[www.electromate.com](http://www.electromate.com)

[sales@electromate.com](mailto:sales@electromate.com)

Specialist Sections

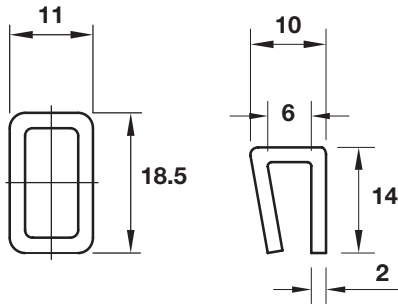
Aluminium Profiles

Slide Profiles



1-133-0032  
1-133-0033

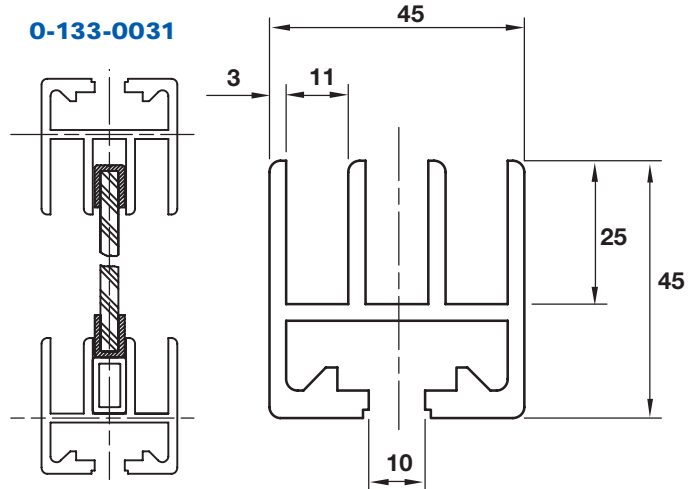
Allows panels to slide inside Guide Profile, supplied in random 3m length.



Guide Profiles

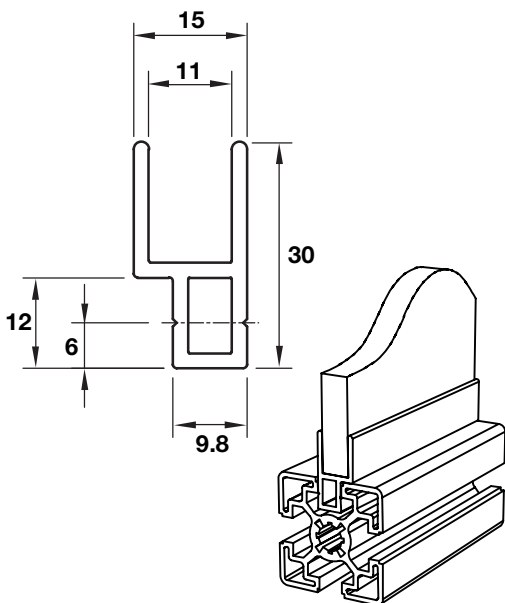


0-133-0031



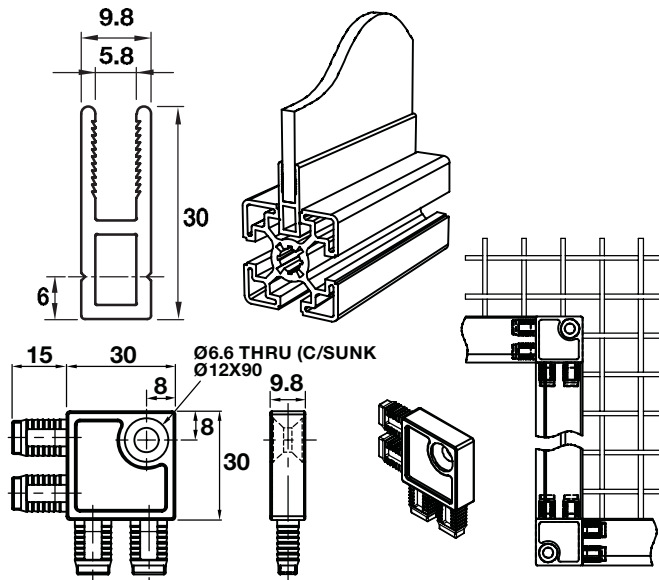
Slot Profile A

1-243-0035



Slot Profile B

0-133-0030



1-243-0032 In Out Corner – Use when assembling a wire cage or sharp panel. Fits into size 10 T-slots.

Technical Data

	Guide Profile	Slot Profile A	Slide Profiles	Slot Profile B	In Out Corner
<b>Material</b>	Aluminium	Aluminium	PVC	Aluminium	PVC
<b>Finish</b>	Clear Anodized	Clear Anodized	–	Clear Anodized	–
<b>Max. Length</b>	5600mm	4000mm	3000mm	4000mm	–
<b>Mass</b>	1.9kg/m	0.24kg/m	0.1kg/m	0.37kg/m	–



Toll Free Phone (877) SERV098

Toll Free Fax (877) SERV099

www.electromate.com

sales@electromate.com

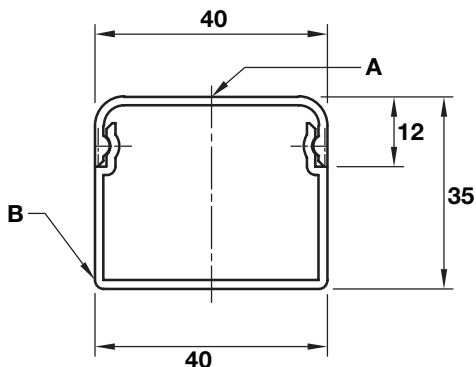


## Conduit Duct

**40 x 35**

**A O-133-0048**  
**B O-133-0049**

Supplied as a 2 part set. Order both Part No.s to create one complete Conduit Duct.

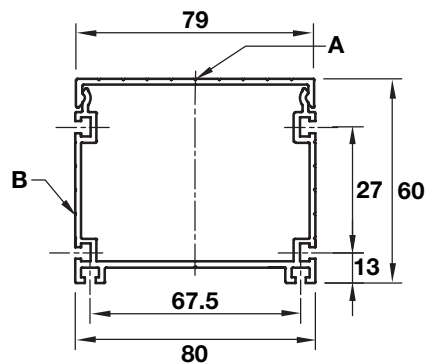


## Conduit Duct

**80 x 60**

**A O-133-8513**  
**B O-133-8514**

Supplied as a 2 part set. Order both Part No.s to create one complete Conduit Duct.  
Slots in conduit take a standard M4 nut.

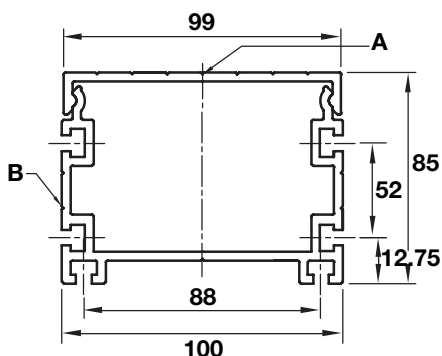


## Conduit Duct

**100 x 85**

**A O-133-8510**  
**B O-133-8511**

Supplied as a 2 part set. Order both Part No.s to create one complete Conduit Duct.  
Slots in conduit take a standard M5 nut.

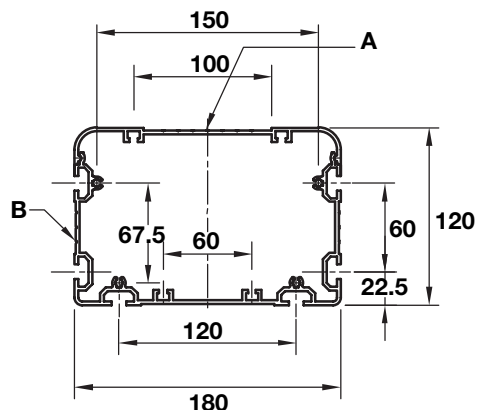


## Conduit Duct

**180 x 120**

**A O-133-0046**  
**B O-133-0047**

Supplied as a 2 part set. Order both Part No.s to create one complete Conduit Duct.



### Technical Data

Conduit Duct	40 x 35	80 x 60	100 x 85	180 x 120
Material	Al6063-T5	Al6063-T5	Al6063-T5	Al6063-T5
Finish	Clear Anodized	Clear Anodized	Clear Anodized	Clear Anodized
Max. Length	4000mm	5600mm	5600mm	5600mm
Mass	0.59kg/m	2.4kg/m	2.9kg/m	5.8kg/m

Sold & Serviced By:

**ELECTROMATE**

Toll Free Phone (877) SERV098

Toll Free Fax (877) SERV099

www.electromate.com

sales@electromate.com

## Technical Details

### Technical Details



This section of the catalogue contains selection information for both Structural Aluminium Profiles and Profile Connections, plus details of end machining where required.

An important factor in the selection of a structural aluminium profile is the amount of deflection which will be acceptable. This deflection gives rise to a bending stress, which must be less than the maximum allowable figure of 200N/mm<sup>2</sup>. A bending stress greater than this figure is likely to cause the profile to fail. In calculating the correct profile, this maximum bending stress figure should be reduced by a safety factor according to the application characteristics.

Deflection may be calculated either by using Moment of Inertia\* and Section Modulus\*\* figures in the formulas relevant to an application, or graphically by following a number of steps using the graph and nomograms provided. It should be noted, however, that the graphical method will give a more approximate deflection figure.

As shown in the Profile Connections section of this catalogue, there are a number of methods available for connecting **MCS** profiles and components together. Each of these methods has a different load-bearing ability and various advantages and disadvantages in terms of ease, speed and flexibility of use. The table on page 52 will aid the selection of connection methods based on the criteria most relevant to your application.

The end of this section shows details of how to machine **MCS** profiles to accept various connection methods. This machining can be carried out by Hepco on request - contact our Sales Department for full details.

\* Moment of Inertia is the ability of a profile to withstand bending.

\*\* Section Modulus is a ratio which allows calculation of the stress in a profile created by this bending.

Sold & Serviced By:

 **ELECTROMATE**

Toll Free Phone (877) SERV098

Toll Free Fax (877) SERV099

[www.electromate.com](http://www.electromate.com)

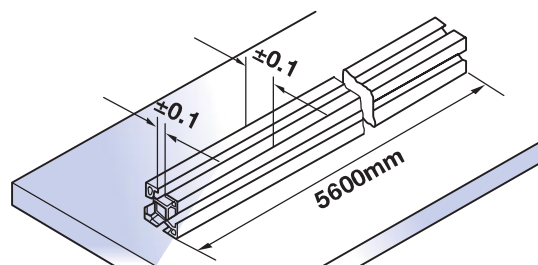
[sales@electromate.com](mailto:sales@electromate.com)

## Aluminium Profile

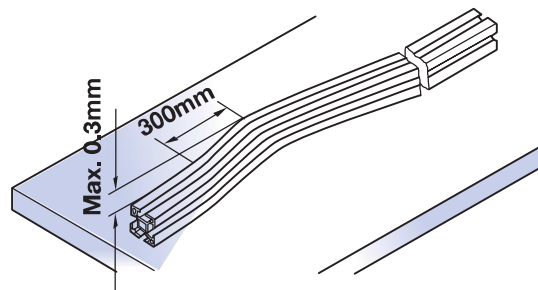
### Technical Specification

<b>Material Designation</b>	AlMgSi0.5F25
<b>Material Number</b>	Al6063-T5
<b>Minimum Tensile Strength</b>	250N/mm <sup>2</sup>
<b>0.2% Proof Stress</b>	160N/mm <sup>2</sup>
<b>Modulus of Elasticity</b>	70 000N/mm <sup>2</sup>
<b>Coefficient of Thermal Expansion</b>	(-50...+20°C) = 21.8 x 10 <sup>-6</sup> 1/K (+20...+100°C) = 23.8 x 10 <sup>-6</sup> 1/K
<b>Anodizing Process</b>	E6/EV1 Clear
<b>Thickness of Layer</b>	10 µm
<b>Hardness</b>	300 HV

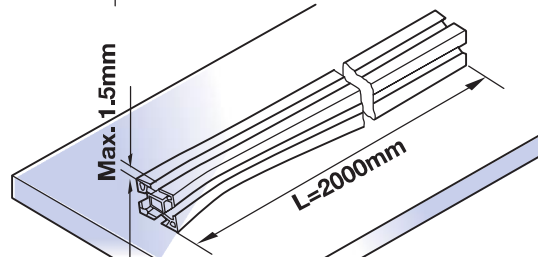
Section faces are parallel within ±0.1mm



Straightness of profile – maximum deviation of 0.3mm per 300mm



Maximum twist is 1.5mm per 2000mm



Sold & Serviced By:

 **ELECTROMATE**

Toll Free Phone (877) SERV098

Toll Free Fax (877) SERV099

[www.electromate.com](http://www.electromate.com)

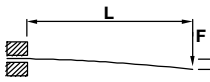
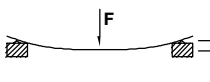

[sales@electromate.com](mailto:sales@electromate.com)

# Technical Details

## Deflection Calculations

**Note:** These deflection calculations can be replaced by referring to 'Choosing the Correct MCS system profile for your application' (pages 48 and 49), though results achieved graphically will be more approximate.

### Deflection of Profile under Static Point Loading:

$d_1 = \frac{F \times L^3}{3E \times I \times 10^4}$		① Cantilever (Rigidly fixed one end)
$d_2 = \frac{F \times L^3}{48E \times I \times 10^4}$		② Simply supported
$d_3 = \frac{F \times L^3}{192E \times I \times 10^4}$		③ Rigidly fixed both ends

### Deflection of profile under its own weight (referring to the diagrams above):

$$d_1 = \frac{9.81 \times P \times L^4}{8E \times I \times 10^7}$$

$$d_2 = \frac{5 \times 9.81 \times P \times L^4}{384E \times I \times 10^7}$$

$$d_3 = \frac{9.81 \times P \times L^4}{384E \times I \times 10^7}$$

### Maximum allowable bending stress (referring to the diagrams above):

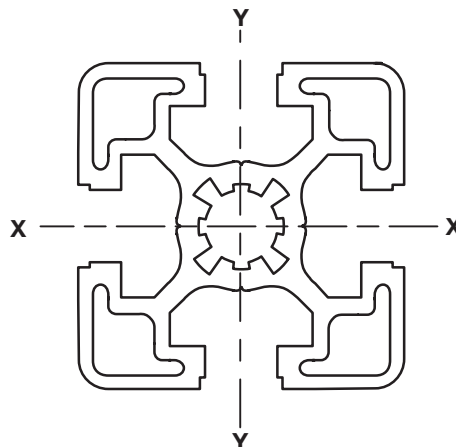
max < 200N/mm<sup>2</sup>

$$s_1 = \frac{F \times L}{W \times 10^3}$$

$$s_2 = \frac{F \times L}{4W \times 10^3}$$

$$s_3 = \frac{F \times L}{8W \times 10^3}$$

- E = 70 000N/mm<sup>2</sup> (modulus of elasticity)
- L = Unsupported Length (mm)
- F = Load (N)
- I = Moment of Inertia (cm<sup>4</sup>)
- D = Deflection of profile (mm)
- W = Section Modulus (cm<sup>3</sup>)
- P = Mass of profile (kg/m)



Sold & Serviced By:



Toll Free Phone (877) SERV098

Toll Free Fax (877) SERV099

www.electromate.com

sales@electromate.com

## Selection Data

### Moment of Inertia, Section Modulus and Mass of MCS System Structural Profile Sections

	Moment of Inertia (cm <sup>4</sup> )		Section Modulus (cm <sup>3</sup> )		Mass (kg/m)
	I <sub>xx</sub>	I <sub>yy</sub>	W <sub>xx</sub>	W <sub>yy</sub>	
<b>20 x 20</b>	0.7	0.7	0.7	0.7	0.44
<b>20 x 40</b>	4.5	1.2	2.2	1.2	0.77
<b>30 x 30</b>	3.4	3.4	2.2	2.2	0.97
<b>30 x 60</b>	23.3	6.1	7.8	4.1	1.83
<b>30 x 90</b>	74.4	9.2	16.5	6.1	2.57
<b>40 x 40SL</b>	7.2	7.2	3.9	3.9	1.2
<b>40 x 40L</b>	8.2	8.2	4.1	4.1	1.4
<b>40 x 40</b>	11.1	11.1	5.6	5.6	1.9
<b>40 x 1NS</b>	10.2	9.8	5.1	4.9	1.7
<b>40 x 2NS</b>	10.2	10.2	5.1	5.1	1.7
<b>40LR</b>	6.0	6.0	2.4	2.4	1.18
<b>40 x 80L</b>	51.2	14.2	25.6	3.6	2.1
<b>40 x 80</b>	61.2	17.0	15.3	8.5	2.62
<b>40 x 80 - 2NS</b>	67.1	18.3	16.7	9.15	2.8
<b>40 x 80 - 3NS</b>	65.8	18.0	16.45	9.0	2.8
<b>45 x 45SL</b>	10.0	10.0	4.4	4.4	1.4
<b>45 x 45L</b>	10.4	10.4	4.6	4.6	1.5
<b>45 x 45</b>	13.4	13.4	6.0	6.0	1.9
<b>45 x 1NS</b>	13.0	13.0	5.8	5.9	1.9
<b>45 x 2NS</b>	12.7	12.7	5.6	5.6	1.8
<b>45LR</b>	7.2	7.2	2.8	2.8	1.2
<b>45°</b>	10.4	9.6	4.0	3.96	2.6
<b>45 x 60L</b>	24.0	15.1	8.0	6.7	2.15
<b>45 x 60</b>	34.2	21.6	11.4	9.6	2.8
<b>45 x 90L</b>	92.6	22.1	20.6	9.8	3.15
<b>45 x 90</b>	100	28.5	22.2	12.7	3.6
<b>45 x 90 - 2NS</b>	96.0	29.0	21.3	12.9	3.4
<b>45 x 90 - 3NS</b>	94.0	28.0	20.9	12.4	3.4
<b>60 x 60L</b>	37.0	37.0	12.3	12.3	2.88
<b>60 x 60</b>	47	47	15.7	15.7	3.7
<b>60 x 90</b>	128.4	60.1	28.5	20.0	4.35
<b>80 x 80SL</b>	11.1	11.1	5.6	5.6	3.6
<b>80 x 80L</b>	110.4	110.4	27.6	27.6	4.09
<b>80 x 80</b>	132.5	132.5	33.1	33.1	4.94
<b>80 x 80 - 2NS</b>	100	102	25	25	3.7
<b>80 x 80 - 4NS</b>	104	104	26	26	3.7
<b>80 x 120</b>	362	176	90	29	6.4
<b>80 x 160</b>	890	262	111	65	9.1
<b>90 x 90L</b>	190	190	42	42	5.6
<b>90 x 90</b>	285	285	63	63	9.3

Sold & Serviced By:



Toll Free Phone (877) SERV098

Toll Free Fax (877) SERV099

www.electromate.com

sales@electromate.com

## Technical Details

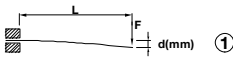
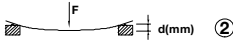

### Selection Data

#### Choosing the correct MCS System Profile for your Application

These instructions will aid the selection of an **MCS** System profile when a point load is applied. Steps A to E refer to paths which should be followed on the diagram opposite. The paths will confirm or deny an estimate of the correct **MCS** System profile for any given application. For calculation of other loading types please refer to the relevant mechanical texts.

The diagram overleaf is a graphic representation of the deflection calculations on page 46.

It will be necessary to differentiate between the three loading types:

1. Cantilever load (rigidly fixed at one end)  ①
2. Simply supported  ②
3. Rigidly fixed both ends  ③

**Procedure for determining the deflection of an MCS System profile when the following details are known:**

**Applied load, unsupported length, and selected profile size (an estimate will need to be made of the most suitable size at this stage).**

- A.** Find the applied load on the Y1 axis. Draw a horizontal line from that point across the graph.
- B.** Now find the unsupported length L on the X axis. From this point draw a vertical line upwards through the graph.
- C.** Find the intended section Moment of Inertia on the Y2 axis (values for MCS System standard sizes are shown in the table to the right of the graph). From this point draw a second horizontal line across the graph.
- D.** Draw a line through the intersection of the lines A & B, parallel to the diagonal lines running across the graph and intersect this new diagonal with line C.
- E.** From the point at which line D intersects with line C, draw a vertical line up the graph; this line should cross through the relevant logarithmic scale (load type 1, 2 or 3 above). The deflection for the given loading condition can now be read from the scale.

**Steps A to E may also be used in a variety of sequences, depending on the variables shown. See below:**

To find the optimum MCS System profile size when maximum deflection, applied load and unsupported length are known, use the following sequence:

**A < B < E < D < C**

To find the maximum load for a given profile size, when maximum deflection and unsupported length are known, use:

**C < E < B < D < A**

To find the maximum unsupported length, for a given profile size, when maximum deflection and applied load are known, use:

**C < E < A < D < B**

Sold & Serviced By:

 **ELECTROMATE**

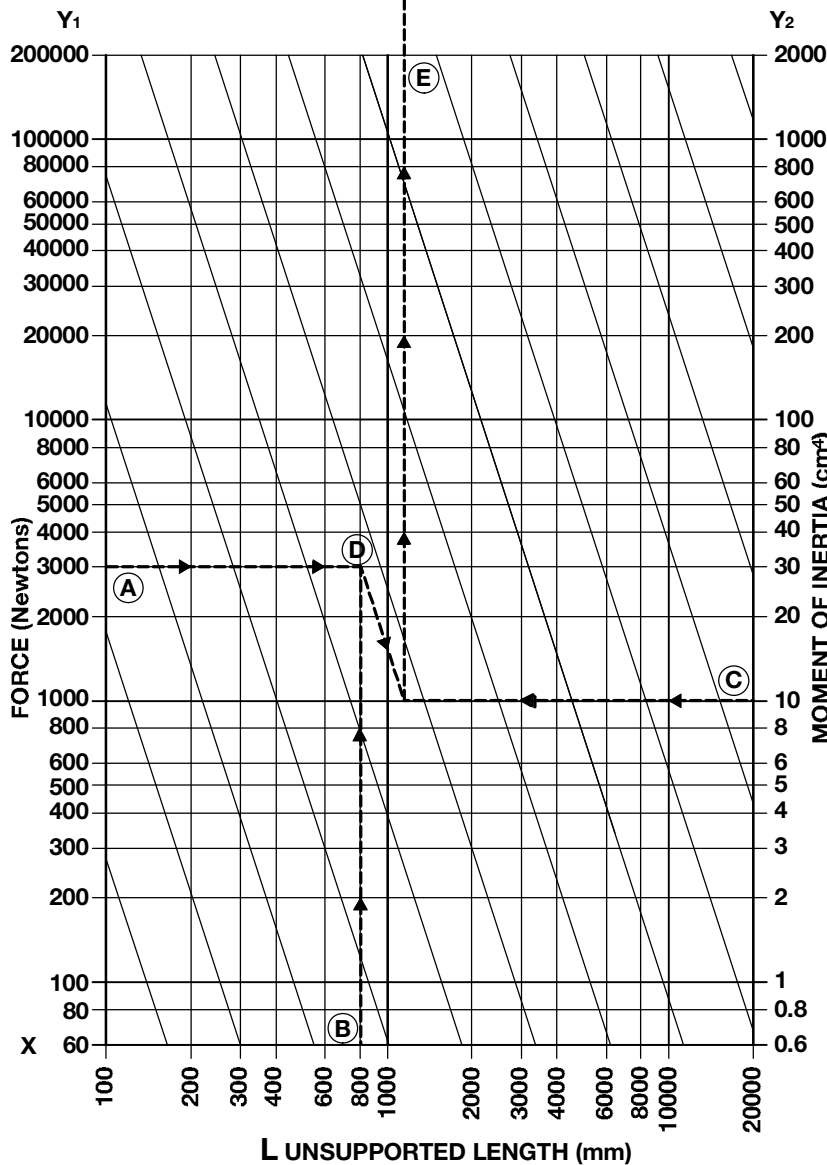
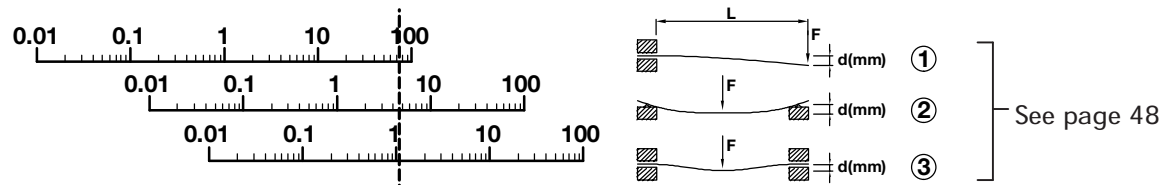
Toll Free Phone (877) SERV098

Toll Free Fax (877) SERV099

[www.electromate.com](http://www.electromate.com)

[sales@electromate.com](mailto:sales@electromate.com)

## Selection Data



	Moment of Inertia $I_{xx}$ cm <sup>4</sup>	$I_{yy}$ cm <sup>4</sup>
20 x 20	0.7	0.7
20 x 40	4.5	1.2
30 x 30	3.4	3.4
30 x 60	23.3	6.1
30 x 90	74.4	9.2
40 x 40SL	7.2	7.2
40 x 40L	8.2	8.2
40 x 40	11.1	11.1
40 x 1NS	10.2	9.8
40 x 2NS	10.2	10.2
40LR	6.0	6.0
40 x 80L	51.2	14.2
40 x 80	61.2	17.0
40 x 80 - 2NS	67.1	18.3
40 x 80 - 3NS	65.8	18.0
45 x 45SL	10.0	10.0
45 x 45L	10.4	10.4
45 x 45	13.4	13.4
45 x 1NS	13.0	13.0
45 x 2NS	12.7	12.7
45LR	7.2	7.2
45*	10.4	9.6
45 x 60L	24.0	15.1
45 x 60	34.2	21.6
45 x 90L	92.6	22.1
45 x 90	100	28.5
45 x 90 - 2NS	96.0	29.0
45 x 90 - 3NS	94.0	28.0
60 x 60L	37.0	37.0
60 x 60	47	47
60 x 90	128.4	60.1
80 x 80SL	11.1	11.1
80 x 80L	110.4	110.4
80 x 80	132.5	132.5
80 x 80 - 2NS	100	102
80 x 80 - 4NS	104	104
80 x 120	362	176
80 x 160	890	262
90 x 90L	190	190
90 x 90	285	285

### Example

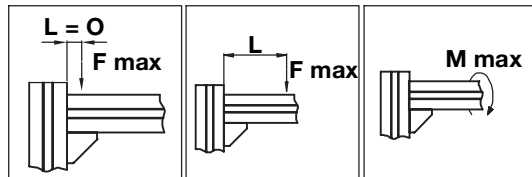
A static point load of 3000N is applied centrally to an MCS System profile which is rigidly supported both ends. The total unsupported length is 800mm. It has been estimated that a 45 x 45L profile will suffice for this application. Using the Moment of Inertia figure for this profile, steps A to E are followed in sequence. From nomogram 3 (for rigidly fixed profiles) we can see that deflection will be approximately 1mm, which is deemed to be acceptable for the application.


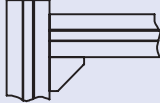
















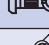

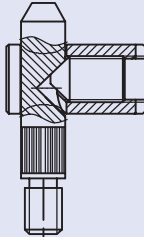







# Technical Details

## Selection Data

### Profile Connection Carrying Capacity



Profile Connections	Direct Load N	Offset Load (LxF) Nm	Twisting Load Nm	Joint Position
Bracket 17 x 25 	400	8	2	
Bracket 20 x 28 	1200	25	6	
Bracket 36 x 36 	1800	60	10	
Bracket 42 x 43 	2000	90	12	
Bracket 42 x 88 	4000	180	30	
Bracket 57 x 57 	2000	90	12	
Bracket 75 x 75 	7000	300	90	
Bracket 88 x 88 	7000	350	100	
Angle Bracket 	2000	80	12	
Bracket 17 x 25 	400	20	2	
Bracket 20 x 28 	1200	70	6	
Bracket 36 x 36 	1800	145	10	
Bracket 42 x 43 	2000	180	12	
Bracket 42 x 88 	4000	360	30	
Bracket 57 x 57 	2000	180	12	
Bracket 75 x 75 	7000	700	90	
Bracket 88 x 88 	7000	750	100	
Angle Bracket 	2000	120	12	
Flexi T (A) 	1500	140		
Flexi T (B) 	1500	140		
Flexi Angle 	1500	140		
Flexi Mitre 	1500	140		
Flexi Straight 	1500	140		
Flexi Threaded 	1500	140		

Sold & Serviced By:  


Toll Free Phone (877) SERV098

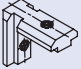
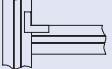
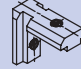
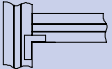

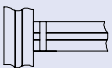
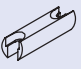

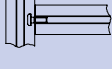



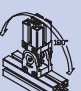
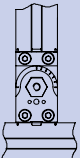
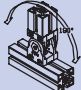
Toll Free Fax (877) SERV099

www.electromate.com

sales@electromate.com

# Technical Details

## Selection Data

Profile Connections	Direct Load N	Offset Load (LxF) Nm	Twisting Load Nm	Joint Position Nm
Interior Bracket 	800	80	10	
Interior Bracket 	800	8	10	
Bolt Connector 20 x 39L 	4000	400	25	
Bolt Connector 20 x 59L 	4000	600	50	
Connection Screw M5 x 20 	500	20	-	
Connection Screw M8 x 30 	1500	80	-	
Connection Screw M12 x 30 	3000	200	-	
End Connector Set 	3000	200	50	
Knuckle Joint 45 x 45 	3000	200	50	
Knuckle Joint 45 x 60 	3000	200	50	

Sold & Serviced By:



Toll Free Phone (877) SERV098

Toll Free Fax (877) SERV099

[www.electromate.com](http://www.electromate.com)

[sales@electromate.com](mailto:sales@electromate.com)

## Technical Details

### Selection Data

#### Connection Cross-Reference Chart

	Flexi Connector	Angle Brackets	Interior Bracket	Bolt Connector	Connection Screw
Flexibility of Usage	★★★★★	★★★★★	★★	★★	★★★
Adjustability	★★★★★	★★★★★	★★★	★	★
Frame Stiffness	★★★★	★★★★	★★	★★★★★	★★★★★
Vibration Resistance	★★★★	★★	★	★★★★★	★★★★★
Space Requirement	★★★★★	★★	★★★★★	★★★★	★★★★★
Tolerance of Inaccuracy <sup>1</sup>	★★★★★	★★★★★	★★★★	★	★★★★
Cost Effectiveness <sup>2</sup>	★★★★	★★★★★	★★★★	★★	★★★★
Aesthetic Finish	★★★★★	★	★★★★★	★★★★★	★★★★★

★★★★★ = Highest/Best

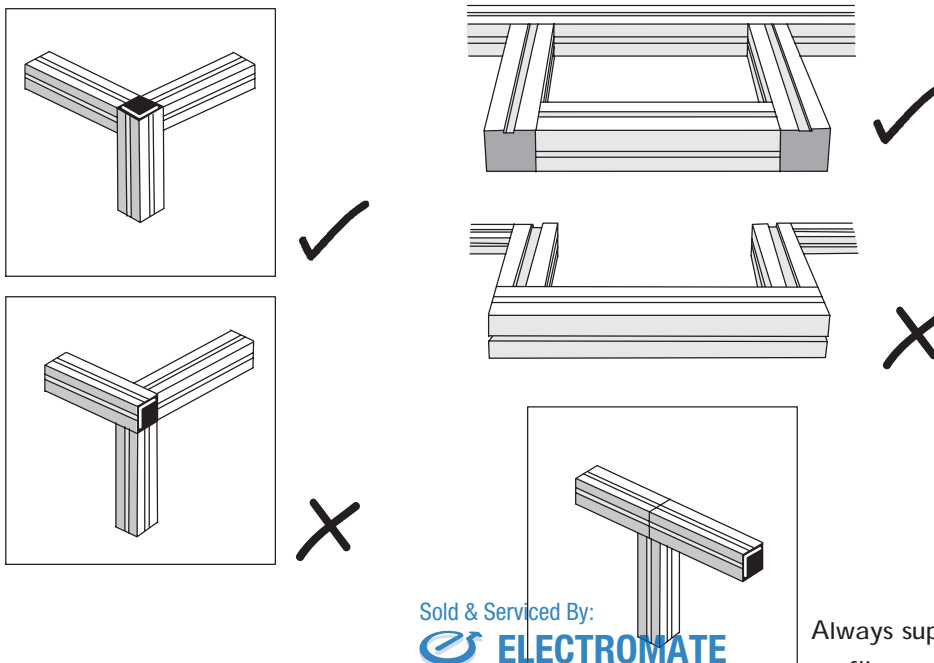
★ = Lowest/Worst

<sup>1</sup> 'Tolerance of Inaccuracy' refers to the time and care needed when building MCS System frames with the various connection methods. For example, Angle Brackets will tolerate low build accuracy, which is quickly and cheaply achieved, whereas Bolt Connectors will not.

<sup>2</sup> 'Cost effectiveness' is a measure not only of component costs, but also takes into account the time required to build various connection methods into MCS System frames.

#### Assembly Hints

Vertical Profiles should run unbroken from the bottom to the top of a frame, with horizontal profiles assembled to the vertical.



Sold & Serviced By:

**ELECTROMATE**

Toll Free Phone (877) SERV098

Toll Free Fax (877) SERV099

www.electromate.com

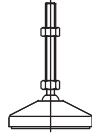
sales@electromate.com

Always support the joint when profiles are butt-fastened.

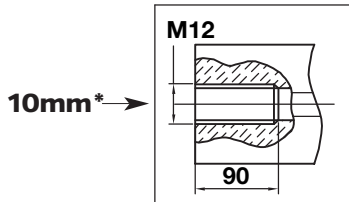
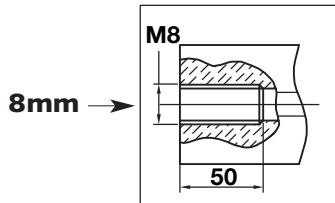
## Machining Details

The following machining can be carried out by Hepco on fast turnaround - quotations on request (supply profile part and figure no.)

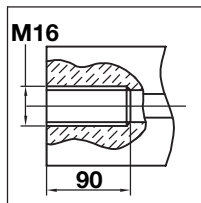
### Foot



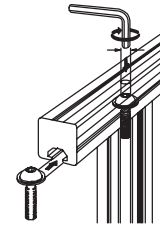
Profile  
End Tapping  
Fig 1



\* Exception  
0-132-9099

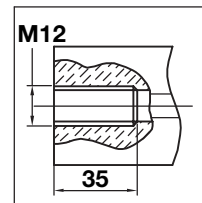
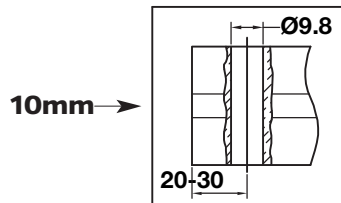
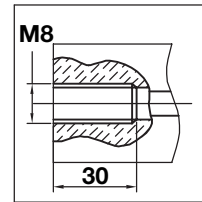
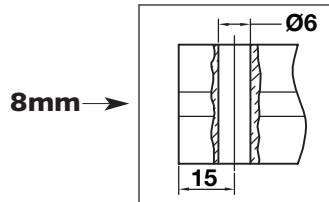
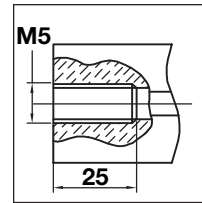
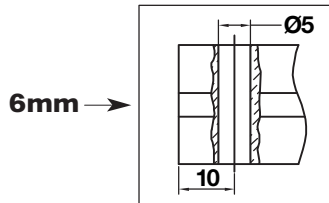


### Connection Screw



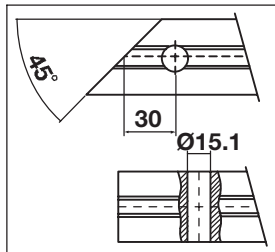
Access Hole  
Fig 2

Profile  
End Tapping  
Fig 3

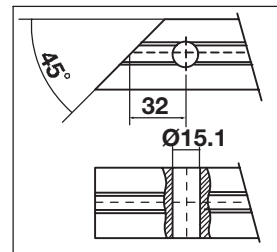


### Flexi Fit Connector

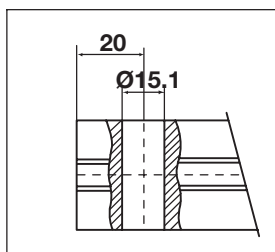
All holes through  
Fig 5



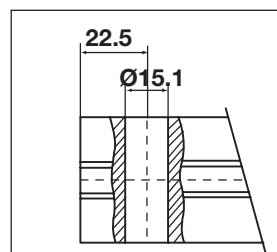
1-242-4554  
1-242-4555  
1-242-4556



1-242-4553



1-242-4549  
1-242-4551  
1-242-4559



1-242-4550  
1-242-4552  
1-242-4557  
1-242-4558  
1-242-4560

Sold & Serviced By:



Toll Free Phone (877) SERV098

Toll Free Fax (877) SERV099

www.electromate.com

sales@electromate.com

## Profiles with Linear Guides

### MCS Profiles with Linear Guides

#### Hepco GV3 & SL2 Slide Systems mounted to MCS Profiles



**MCS** aluminium profiles are available fitted with **Hepco Linear Slide Systems** as complete ready to install units incorporating either carbon chrome **GV3** slides or **SL2** stainless steel slides. Slides with independent fixings are available for customers preferring self assembly.

The proven Hepco 'V' slide principle, with its one piece edge hardened steel slideway, is the ideal choice for motion guidance in frame construction systems.

**Hepco Slide Systems** are suitable for running with or without lubrication. Higher loads and longer life can be achieved if lubricated and various devices are available for this purpose. Customers may choose from a number of carriage lengths to provide various sizes of platform for mounting. Carriage plates are constructed in aluminium to minimise inertia.

#### Benefits

- High load capacity with long life
- Quiet friction-free motion
- Easy to install and adjust
- Works in any plane
- Accepts load in all directions
- Tolerant of debris
- Tolerant of misalignment
- Little or no maintenance

**GV3** 6 types of carriage cater for most design requirements and 3 grades of slide precision allows selection according to cost/performance requirements. Numerous sizes and options makes this the most versatile slide system available.

**SL2** is available in basic GV3 standard carriage format, with fine ground surface finish of stainless steel components for maximum corrosion resistance. Aluminium carriage with U.S.D.A approved surface treatment provides corrosion resistance better than most stainless steels.

Request the GV3+SL2 catalogue 01884 257000



Sold & Supplied By  
 **ELECTROMATE**

Toll Free Phone (877) SERV098

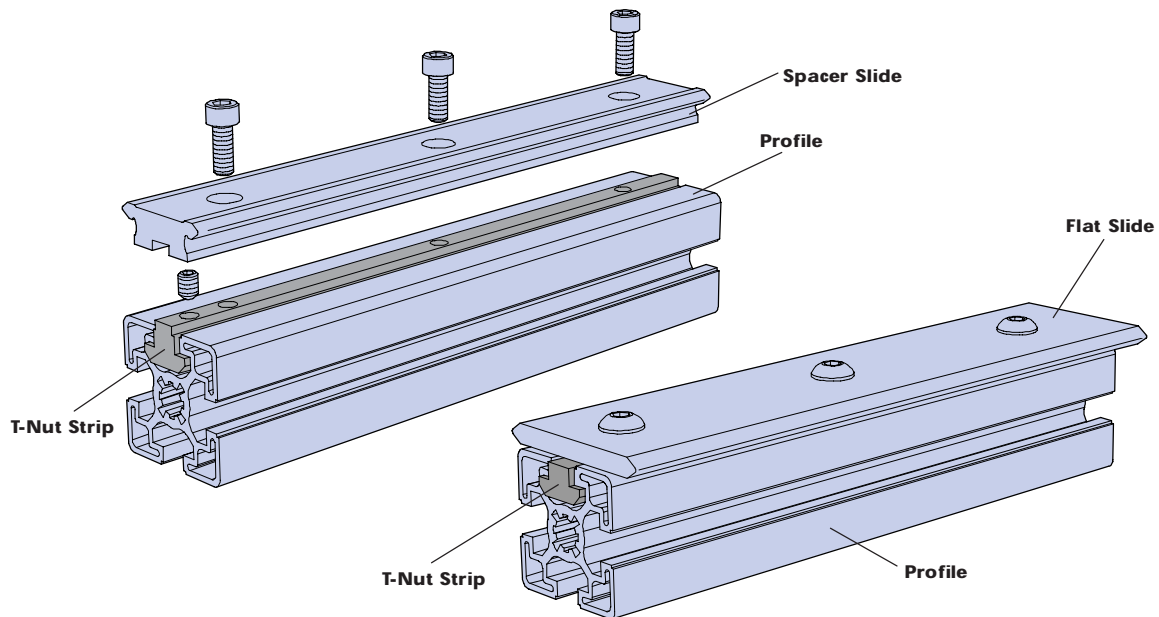
Toll Free Fax (877) SERV099

[www.electromate.com](http://www.electromate.com)

[sales@electromate.com](mailto:sales@electromate.com)

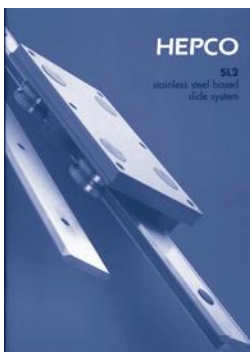
# Profiles with Linear Guides

## Method of attaching Slides to MCS Profiles



The method of fixing provides location of spacer slide and retention of fixing screw position in the event of disassembly.

## Selection Procedure



The information in this catalogue facilitates initial selection of the slide system and provides details of compatibility with MCS profiles. For comprehensive information, full load/life details and some ordering references, it will be necessary to also refer to the GV3 and SL2 catalogues.

### Stage 1

Select the type of carriage required from the various options illustrated on pages 56 and 57. Note the Slide types, Slide precision grades, Bearing types and Lubrication Devices generally available for each carriage type.

### Stage 2

(Spacer Slides Ref. pages 58 & 59; Flat slides Ref. pages 60 & 61):

Select the MCS profile required and choose a compatible slide taking account of the slide and bearing type for the chosen carriage, system dimensions, load requirements and specific availability of various options.

### Stage 3

Refer to ordering details on page 62.

Sold & Serviced By:  
**ELECTROMATE**

Toll Free Phone (877) SERV098

Toll Free Fax (877) SERV099

[www.electromate.com](http://www.electromate.com)

[sales@electromate.com](mailto:sales@electromate.com)

# Profiles with Linear Guides

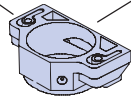
## Carriage Types

### STANDARD CARRIAGE

The popular choice for general applications

#### Cap Seal (optional)

Lubricates system & excludes debris



#### Twin Bearing

For tolerance of misalignment and smoothest motion



#### Double Row Bearing

For tolerance of debris and highest radial load capacity



#### Lubricator (optional)

For friction-free lubrication (alternative to Cap Seal)



#### Spacer Slide



#### Flat Slide



SL2

P1



G V 3

P2



P3

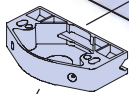


### SLIMLINE CARRIAGE

For compact system height, lower cost and lower loads

#### Cap Wiper (optional)

Lubricates system & excludes debris



#### Slimline Bearing

For reduced system height, lowest cost and lower load capacity



#### Slimline Lubricator (optional)

For friction-free lubrication (alternative to Cap Wiper)



#### Spacer Slide

P1



#### Flat Slide



G V 3

P2

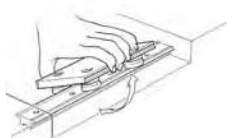


P3



### REMOVABLE CARRIAGE

For direct disengagement of carriage from slide



#### Compact Lubricator (optional)



#### Spacer Slide

P1



#### Flat Slide



G V 3

P2



P3



#### Spacer Slide



#### Flat Slide



G V 3

Sold & Serviced By:



Toll Free Phone (877) SERV098

Toll Free Fax (877) SERV099

www.electromate.com

sales@electromate.com

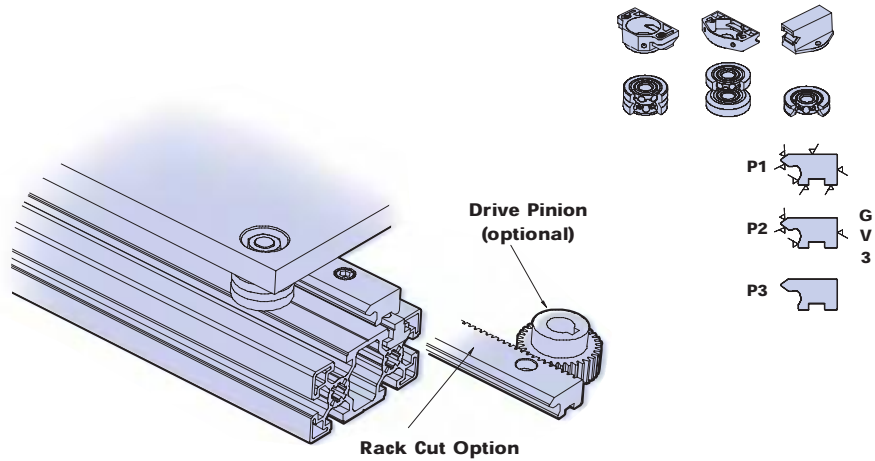


# Profiles with Linear Guides

## Carriage Types

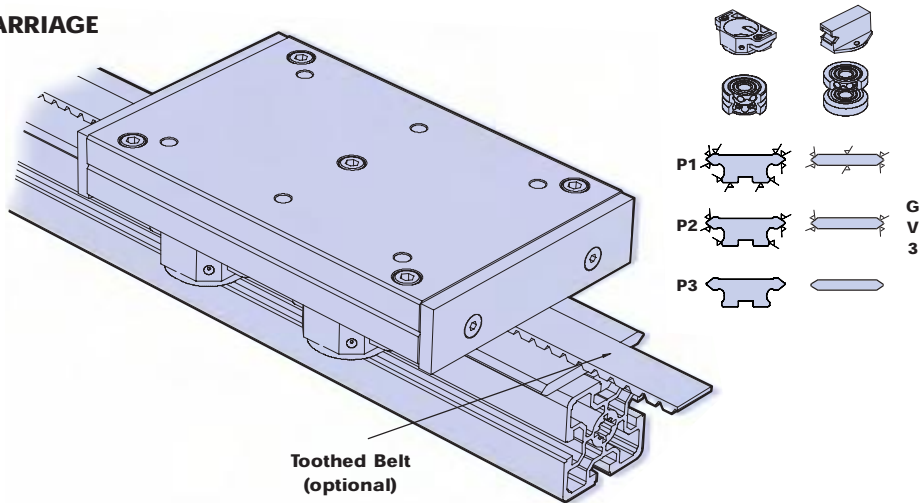
### SINGLE EDGE SLIDE CARRIAGE

(customer to construct)  
For wide system stability, centre space for drive facility and increased moment load capacity



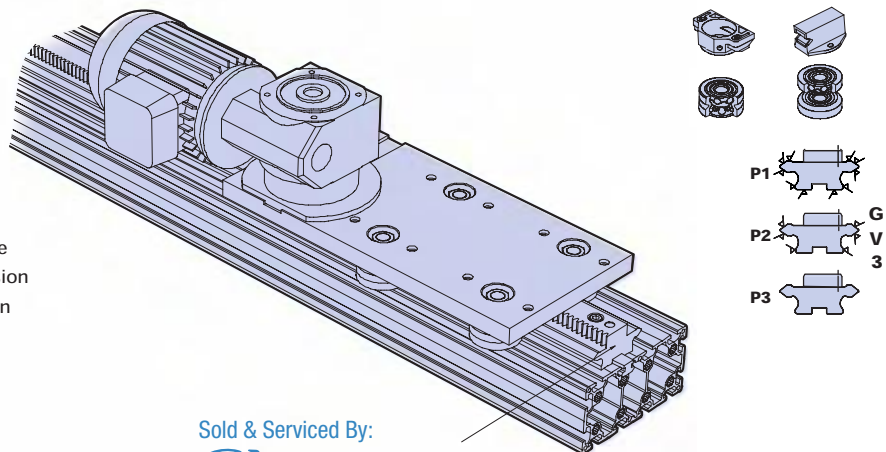
### BELT DRIVEN CARRIAGE

Complete with belt tension adjustment facility and removable top plate to aid customising. For low cost drive facility with high speed capability.



### RACK DRIVEN CARRIAGE

Complete with Pinion, Drive Flange with micro-adjustment facility, and Gearbox. (AC Motor and Speed Controller, optional.) A complete drive package capable of high transmission forces and good resolution over long lengths



Sold & Serviced By:

**ELECTROMATE**

Toll Free Phone (877) SERV098

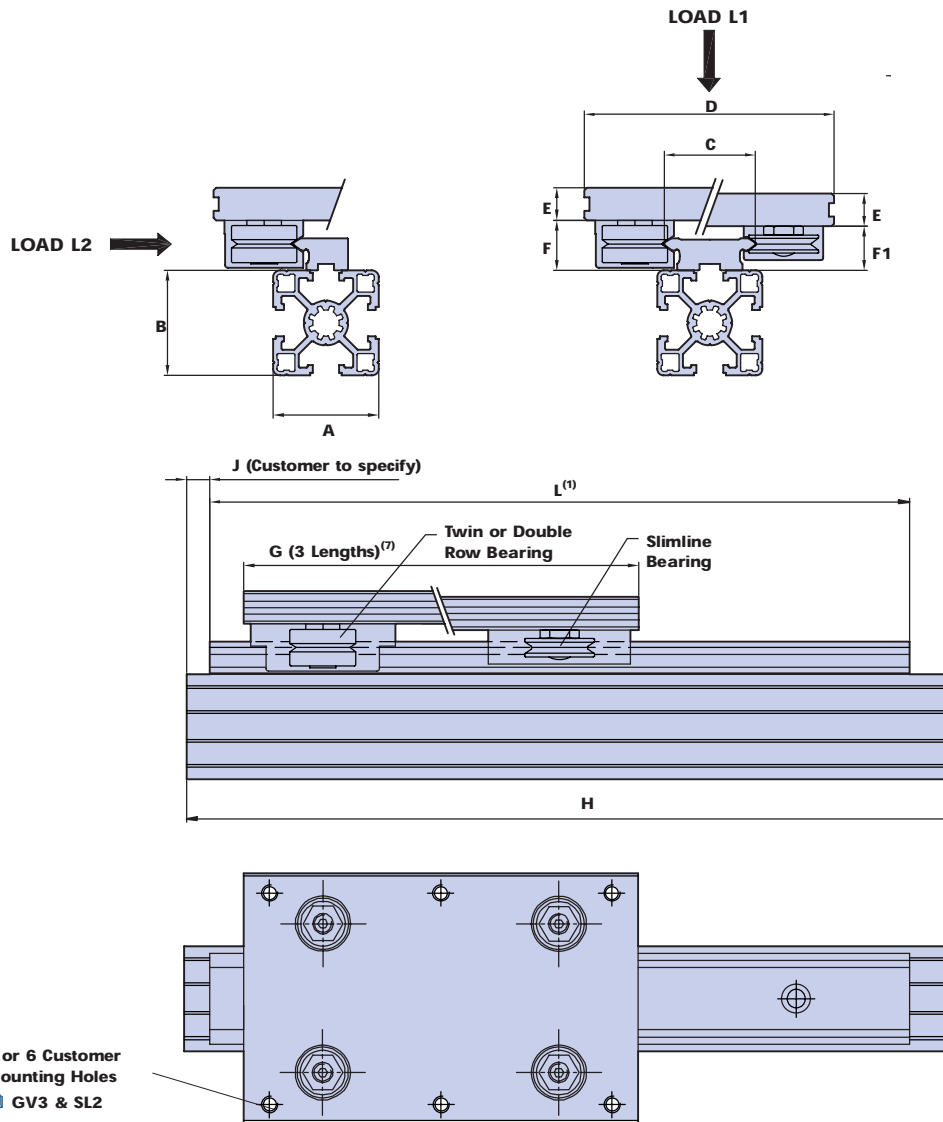
Toll Free Fax (877) SERV099

www.electromate.com

sales@electromate.com

## Profiles with Linear Guides

### Spacer Slides with MCS Profiles



#### Notes:

- (1) Slide lengths are available to customers' requirements up to 3956mm. Unlimited lengths can be achieved by butting.
- (2) Hepco Rack Driven Carriage not available, but customers may construct their own using GV3 Pinion [GV3](#) [P45](#).
- (3) Carriage Plate to be constructed by customer.
- (4) Rack Driven Carriage is offset in relation to centre of slide. Length and configuration is to customers requirements [GV3](#) [P49](#).
- (5) All types of carriage with the exception of some sizes of Rack and Belt driven carriages (see table) are available to suit all sizes of double edge GV3 spacer slides.
- (6) NM76 & NL76 spacer slides can only be attached to the two centre most positions of the 160mm wide face of the 80 x 160 profile.
- (7) Cap seals/cap wipers are not available for the shortest length carriages. Belt Driven Carriages are available in 2 lengths only [GV3](#) [P46-47](#).

Gold Sponsors By  
**ELECTROMATE**

Toll Free Phone (877) SERV098








Toll Free Fax (877) SERV099

[www.electromate.com](http://www.electromate.com)

[sales@electromate.com](mailto:sales@electromate.com)

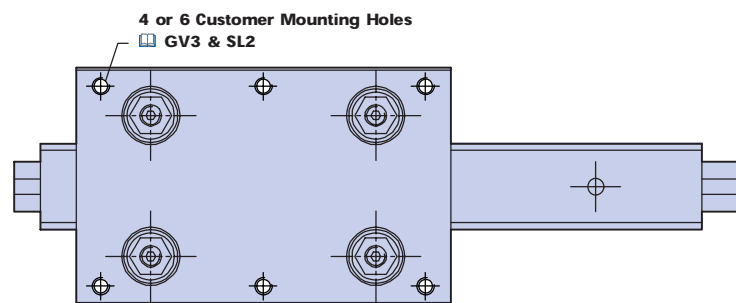
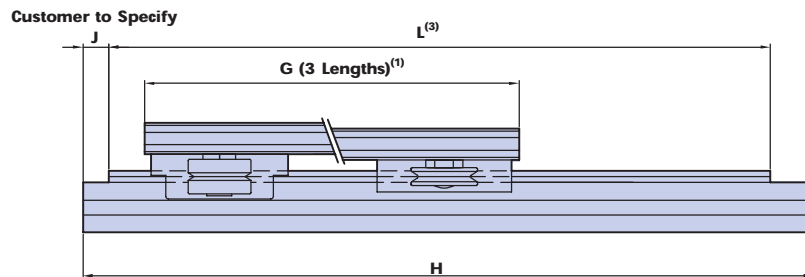
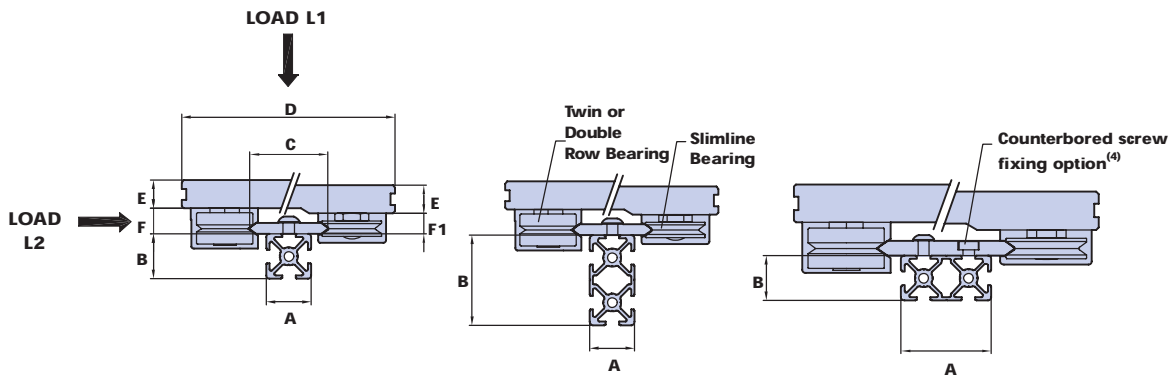
# Profiles with Linear Guides

## Compatibility Table Spacer Slides with MCS Profiles

		SLIDE PART NUMBER				(5) RACK DRIVE CARRIAGE AVAILABILITY										LOAD (C) LUBRICATED (NEWTONS)																
		GV3 		GV3 		SL2 		(5) BELT DRIVE CARRIAGE AVAILABILITY																								
A	B	C	C				D	E	~F	~F1	G <sup>(7)</sup>			L1	L2	L1	L2	L1	L2													
20	20	NV	20				64	10	15	14	65	100	140	760	1200	500	400	400	480													
	20		NV	20	R		(2)	(2)	15	-	(2)																					
	40		NV	28			72	11	15	14	75	125	175																			
	40			NV	28	R		(2)	(2)	15	-	(2)																				
						NVE	(3)	(3)	15	14	(3)																					
30	30	NV	28				72	11	15	14	75	125	175	760	1200	500	400	400	480													
				NV	28	R		(2)	(2)	15	-	(2)																				
							NVE	(3)	(3)	15	14	(3)																				
			NS	25				80	11.5	19	17	80	135							180	1600	3000	1280	1200	940	1150						
					NS	25	R		(2)	(2)	19	-	(2)																			
							SSNS	25				80	130							180												
			NS	35				✓ 95	12.5	19	17	100	150							200												
					NS	35	R		(2)	(2)	19	-	(2)																			
							NSE	(3)	(3)	19	17	(3)																				
			NM	44				✓ 116	14.5	24	21	125	180							225							3600	6000	3200	2800	2000	2400
				NM	44	R		(4)	18	24	-	(4)																				
						SSNM	44				116	14.5	24	-	125	175	225															
						NME	(3)	(3)	24	21	(3)																					
							72	11	15	14	75	125	175	760	1200	500	400	400	480													
				NV	28	R		(2)	(2)	15	-	(2)																				
		NS	25				80	11.5	19	17	80	135	180							1600	3000	1280	1200	940	1150							
				NS	25	R		(2)	(2)	19	-	(2)																				
						SSNS	25				80	130	180																			
		NS	35				✓ 95	12.5	19	17	100	150	200																			
				NS	35	R		(2)	(2)	19	-	(2)																				
						NSE	(3)	(3)	19	17	(3)																					
		NM	44				✓ 116	14.5	24	21	125	180	225													3600	6000	3200	2800	2000	2400	
				NM	44	R		(4)	18	24	-	(4)																				
						SSNM	44				116	14.5	24	-	125	175	225															
						NME	(3)	(3)	24	21	(3)																					
							72	11	15	14	75	125	175	760	1200	500	400	400	480													
				NV	28	R		(2)	(2)	15	-	(2)																				
		NS	25				80	11.5	19	17	80	135	180							1600	3000	1280	1200	940	1150							
				NS	25	R		(2)	(2)	19	-	(2)																				
						SSNS	25				80	130	180																			
		NS	35				✓ 95	12.5	19	17	100	150	200																			
				NS	35	R		(2)	(2)	19	-	(2)																				
						NSE	(3)	(3)	19	17	(3)																					
		NM	44				✓ 116	14.5	24	21	125	180	225													3600	6000	3200	2800	2000	2400	
				NM	44	R		(4)	18	24	-	(4)																				
						SSNM	44				116	14.5	24	-	125	175	225															
						NME	(3)	(3)	24	21	(3)																					
							72	11	15	14	75	125	175	760	1200	500	400	400	480													
				NV	28	R		(2)	(2)	15	-	(2)																				
		NS	25				80	11.5	19	17	80	135	180							1600	3000	1280	1200	940	1150							
				NS	25	R		(2)	(2)	19	-	(2)																				
						SSNS	25				80	130	180																			
		NS	35				✓ 95	12.5	19	17	100	150	200																			
				NS	35	R		(2)	(2)	19	-	(2)																				
						NSE	(3)	(3)	19	17	(3)																					
		NM	44				✓ 116	14.5	24	21	125	180	225													3600	6000	3200	2800	2000	2400	
				NM	44	R		(4)	18	24	-	(4)																				
						SSNM	44				116	14.5	24	-	125	175	225															
						NME	(3)	(3)	24	21	(3)																					
							72	11	15	14	75	125	175	760	1200	500	400	400	480													
				NV	28	R		(2)	(2)	15	-	(2)																				
		NS	25				80	11.5	19	17	80	135	180							1600	3000	1280	1200	940	1150							
				NS	25	R		(2)	(2)	19	-	(2)																				
						SSNS	25				80	130	180																			
		NS	35				✓ 95	12.5	19	17	100	150	200																			
				NS	35	R		(2)	(2)	19	-	(2)																				
						NSE	(3)	(3)	19	17	(3)																					
		NM	44				✓ 116	14.5	24	21	125	180	225													3600	6000	3200	2800	2000	2400	
				NM	44	R		(4)	18	24	-	(4)																				
						SSNM	44				116	14.5	24	-	125	175	225															
						NME	(3)	(3)	24	21	(3)																					
							72	11	15	14	75	125	175	760	1200	500	400	400	480													
				NV	28	R		(2)	(2)	15	-	(2)																				
		NS	25				80	11.5	19	17	80	135	180							1600	3000	1280	1200	940	1150							
				NS	25	R		(2)	(2)	19	-	(2)																				
						SSNS	25				80	130	180																			
		NS	35				✓ 95	12.5	19	17	100	150	200																			
				NS	35	R		(2)	(2)	19	-	(2)																				
						NSE	(3)	(3)	19	17	(3)																					
		NM	44				✓ 116	14.5	24	21	125	180	225													3600	6000	3200	2800	2000	2400	
				NM	44	R		(4)	18	24	-	(4)																				
						SSNM	44				116	14.5	24	-	125	175	225															
						NME	(3)	(3)	24	21	(3)																					
							72	11	15	14	75	125	175	760	1200	500	400	400	480													
				NV	28	R		(2)	(2)	15	-	(2)																				
		NS	25				80	11.5	19	17	80	135	180							1600	3000	1280	1200	940	1150							
				NS	25	R		(2)	(2)	19	-	(2)																				
						SSNS	25				80	130	180																			
		NS	35				✓ 95	12.5	19	17	100	150	200																			
				NS	35	R		(2)	(2)	19	-	(2)																				
						NSE	(3)	(3)	19	17	(3)																					
		NM	44				✓ 116	14.5	24	21	125	180	225													3600	6000	3200	2800	2000	2400	
				NM	44	R		(4)	18	24	-	(4)																				
						SSNM	44				116	14.5	24	-	125	175	225															
						NME	(3)	(3)	24	21	(3)																					
							72	11	15	14	75	125	175	760	1200	500	400	400	480													
				NV	28	R		(2)	(2)	15	-	(2)																				
		NS	25				80	11.5	19	17	80	135	180							1600	3000	1280	1200	940	1150							
				NS	25	R		(2)	(2)	19	-	(2)																				
						SSNS	25				80	130	180																			
		NS	35				✓ 95	12.5	19	17	100	150	200																			
				NS	35	R		(2)	(2)	19	-	(2)																				

## Profiles with Linear Guides

### Flat Slides with MCS Profiles



**Notes:**

- (1) Cap seals/cap wipers are not available for the shortest length carriages. Belt Driven Carriages are available in 2 lengths only **GV3** **P46-47**.
- (2) Standard, Slimline and Removable Carriages are available to suit all sizes of GV3 Flat slides. Some sizes of slide are also available to suit Belt Driven Carriages (see table). On special application, Flat Slides can be fitted with mounted Rack and supplied with Rack Driven Carriages.
- (3) Slide lengths are available to customers' requirements up to 3956mm. Unlimited lengths can be achieved by butting.
- (4) The counterbored screw fixing option with low head socket cap screws DIN 6912 will be supplied for double row slide fixing when used with slimline carriage.

Sold & Serviced By:  


Toll Free Phone (877) SERV098


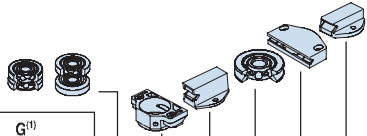



Toll Free Fax (877) SERV099

www.electromate.com

sales@electromate.com

# Profiles with Linear Guides

## Compatibility Table Flat Slides with MCS Profiles

		SLIDE PART NUMBER		✓ = FITS WITH ALL GRADES OF SLIDE P3 = FITS WITH P3 GRADE SLIDE ONLY ✗ = WILL NOT FIT - = NOT APPLICABLE													LOAD (C) LUBRICATED (NEWTONS)							
		GV3 <sup>23</sup>	SL2																					
A	B	C	C	D	E	~F	~F1	G <sup>(1)</sup>			BELT DRIVEN CARRIAGE <sup>(2)</sup>						L1	L2	L1	L2	L1	L2		
20 20	20 40	V	28		72	11	9	7.9	75	125	175	✓	P3	P3	✓	P3	✓	✓	760	1200	500	400	400	480
		S	35		95	12.5	11.4	9.2	100	150	200	✓	✓	✓	✓	✓	✓	✓	1600	3000	1280	1200	940	1150
			SSS	35	95	12.5	11.4	-	100	150	200	✓	✓	✓	-	-	-	-	1600	3000	960	960	-	-
30 30 30	30 60 90	M	44		116	14.5	14.6	11.4	125	180	225	✓	✓	P3	✓	✓	✓	✓	3600	6000	3280	2800	800	800
			SSM	44	116	14.5	14.6	-	125	175	225	✓	✓	✗	-	-	-	-	3600	6000	3000	3000	-	-
		S	50		112	14	11.4	9.2	110	160	220	✓	✓	✓	✓	✓	✓	✓	1600	3000	1280	1200	940	1150
			SSS	50	112	14	11.4	-	110	160	220	✓	✓	✓	-	-	-	-	1600	3000	960	960	-	-
60	30	M	76		150	18	14.6	11.4	170	240	340	✓	✓	✓	✓	✓	✓	✓	3600	6000	3200	2800	2000	2400
			SSM	76	150	18	14.6	-	170	240	340	✓	✓	✓	-	-	-	-	3600	6000	3000	3000	-	-
90	30	L	120		240	24	23.6	18.9	240	360	480	P3	P3	P3	P3	P3	P3	10000	10000	7200	6400	4240	5200	
40	20	S	50		112	14	11.4	9.2	110	160	220	✓	✓	P3	✓	P3	✓	✓	1600	3000	1280	1200	940	1150
			SSS	50	112	14	11.4	-	110	160	220	✓	✓	✗	-	-	-	-	1600	3000	960	960	-	-
40 40	40 80	S	50		112	14	11.4	9.2	110	160	220	✓	✓	P3	✓	P3	✓	✓	1600	3000	1280	1200	940	1150
			SSS	50	112	14	11.4	-	110	160	220	✓	✓	✗	-	-	-	-	1600	3000	960	960	-	-
		M	60		135	17	14.6	11.4	150	200	280	✓	✓	✓	✓	✓	✓	✓	3600	6000	3200	2800	2000	2400
			SSM	60	135	17	14.6	-	150	200	280	✓	✓	✓	-	-	-	-	3600	6000	3000	3000	-	-
		M	76		150	18	14.6	11.4	170	240	340	✓	✓	✓	✓	✓	✓	✓	3600	6000	3200	2800	2000	2400
			SSM	76	150	18	14.6	-	170	240	340	✓	✓	✓	-	-	-	-	3600	6000	3000	3000	-	-
		L	76		185	20	23.6	18.9	200	300	400	✓	✓	✓	✓	✓	✓	✓	10000	10000	7200	6400	4240	5200
	SSL	76	185	20	23.6	-	200	300	400	✓	✓	✓	-	-	-	-	8000	10000	6000	6000	-	-		
45 45 45	45 60 90	M	60		135	17	14.6	11.4	150	200	280	✓	✓	✓	✓	✓	✓	✓	3600	6000	3200	2800	2000	2400
			SSM	60	135	17	14.6	-	150	200	280	✓	✓	✓	-	-	-	-	3600	6000	3000	3000	-	-
		M	76		150	18	14.6	11.4	170	240	340	✓	✓	✓	✓	✓	✓	✓	3600	6000	3200	2800	2000	2400
			SSM	76	150	18	14.6	-	170	240	340	✓	✓	✓	-	-	-	-	3600	6000	3000	3000	-	-
		L	76		185	20	23.6	18.9	200	300	400	✓	✓	✓	✓	✓	✓	✓	10000	10000	7200	6400	4240	5200
	SSL	76	185	20	23.6	-	200	300	400	✓	✓	✓	-	-	-	-	8000	10000	6000	6000	-	-		
60 60	45 60	M	76		150	18	14.6	11.4	170	240	340	✓	✓	✓	✓	✓	✓	✓	3600	6000	3200	2800	2000	2400
			SSM	76	150	18	14.6	-	170	240	340	✓	✓	✓	-	-	-	-	3600	6000	3000	3000	-	-
		L	76		185	20	23.6	18.9	200	300	400	P3	P3	P3	P3	P3	P3	10000	10000	7200	6400	4240	5200	
			SSL	76	185	20	23.6	-	200	300	400	✓	✓	✓	-	-	-	-	8000	10000	6000	6000	-	-
80 80 80 90 90	40 80 160 45 90	L	120		240	24	23.6	18.9	240	360	480	P3	P3	P3	P3	P3	P3	10000	10000	7200	6400	4240	5200	

Slide hole centres and fixing screw sizes and types may vary from those specified in the GV3 & SL2 catalogues. There may also be additional and redundant holes.

Toll Free Phone (877) SERV098

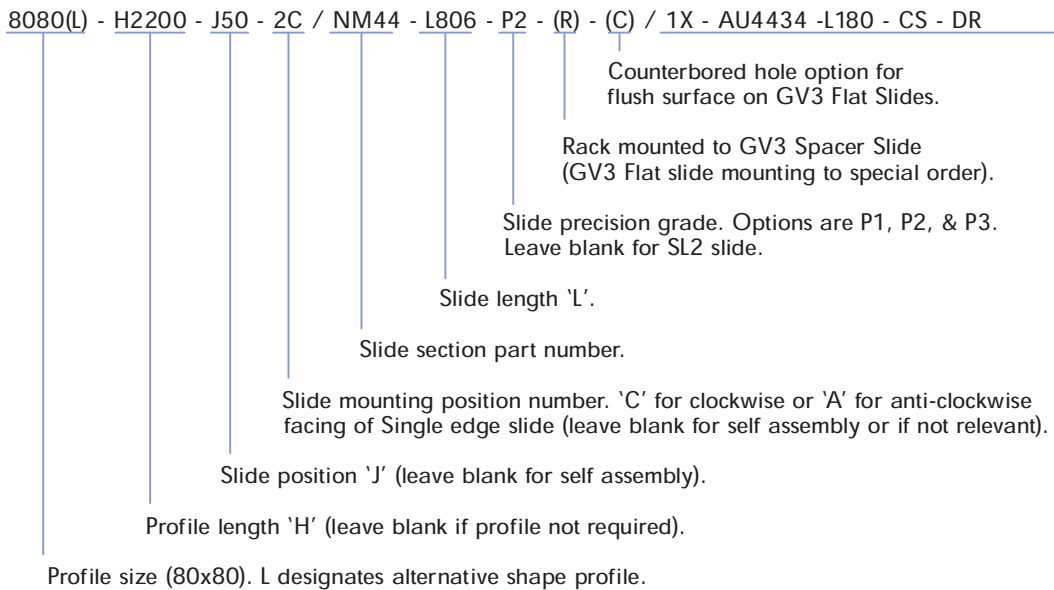
Toll Free Fax (877) SERV099

www.electromate.com

sales@electromate.com

# Profiles with Linear Guides

## Ordering Details



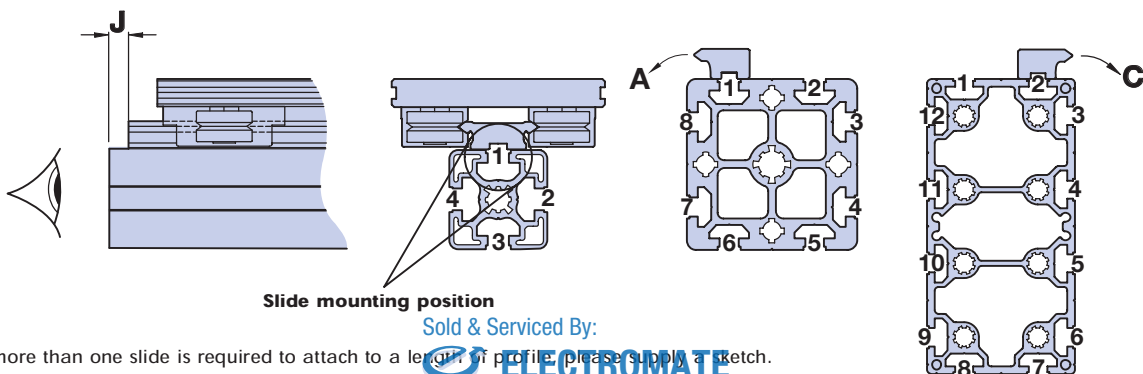
1x - AU4434 - L180 - CS - DR = Carriage reference (example only). Please specify from GV3 or SL2 catalogue according to following procedure:

### Carriage identification (GV3):

1. Refer to tables on relevant Carriage page of GV3 catalogue (Standard Carriage, Removable Carriage, Slimline Carriage, Belt Driven Carriage or Rack Driven Carriage).  
N.B The Single Edge Slide Carriage is for construction by the customer, therefore individual Bearings and Lubrication Devices etc. must be selected from the GV3 catalogue.
2. Read off the basic carriage part number in column 1, adjacent to the chosen slide part number in column 2.
3. Determine the full carriage part number to include the options required by following the Ordering Details below the table.

### Carriage Identification (SL2):

1. Refer to the table on Assembled Systems (see page 9 of the SL2 catalogue).
2. Identify the basic carriage part number in column 1 according to the chosen slide part number. The slide part number is the last five letters / numbers of the carriage part number.
3. Determine the full carriage part number to include the options required by following the Ordering Details below the table.



Toll Free Phone (877) SERV098  
Toll Free Fax (877) SERV099  
www.electromate.com  
sales@electromate.com

# Profiles with Linear Guides

## MCS Profiles with Linear Guides

### Hepco Powerslide 2 supported on MCS Profile Beams



Request the MCS/HPS catalogue & Mounting document (01884 257000) or download from the HepcoMotion website: [www.HepcoMotion.com](http://www.HepcoMotion.com)



High-speed, maintenance free performance are the key benefits of **Hepco's Powerslide 2**, with ex-stock availability and standard lengths up to 6m.

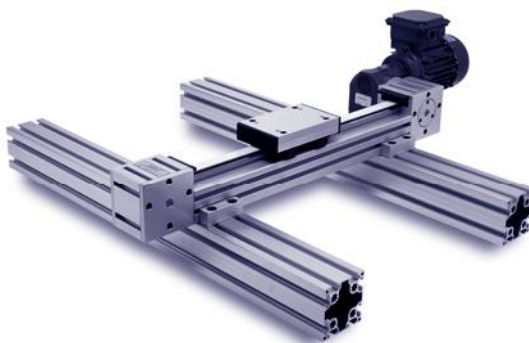
The **HPS** range of pneumatic linear systems is based around an extruded aluminium cylinder ideal for mounting to **MCS**. With the optional addition of **Hepco SH** shock absorbers high speed, long life systems can be achieved.

Mounting to **MCS** profiles whether by the end caps or tailored connectors could not be easier. For further details please contact Hepco's Technical Sales Team.

#### Benefits

- Self supporting • Long life • 10 size combinations • High load • Easy installation
- Corrosion resistant options

### Hepco Driven Linear System supported on MCS profile beams



Request the MCS/DLS catalogue & Mounting document (01884 257000) or download from the HepcoMotion website: [www.HepcoMotion.com](http://www.HepcoMotion.com)



New fixing options are available in the **MCS** range allowing specifiers to take advantage of the ready to mount high speed Driven Linear System.

Ideal for simple linear or multi-axis systems, **DLS** incorporates all of the Hepco V-guide benefits of zero maintenance and environmental tolerance, but combines them with a robust belt drive producing speeds of up to 6m/s and standard lengths up to 8m.

A range of mounting options are available to enable easy connection to **MCS** profiles which, due to their interchangeability with other profiles, makes this the ideal system for retro-fitting machine elements.

#### Benefits

- Long system life • Low maintenance • High speed • Quiet operation
- Easy secondary machining • Robust AC motor system

Sold & Serviced By:  
**ELECTROMATE**

Toll Free Phone (877) SERV098

Toll Free Fax (877) SERV099

[www.electromate.com](http://www.electromate.com)

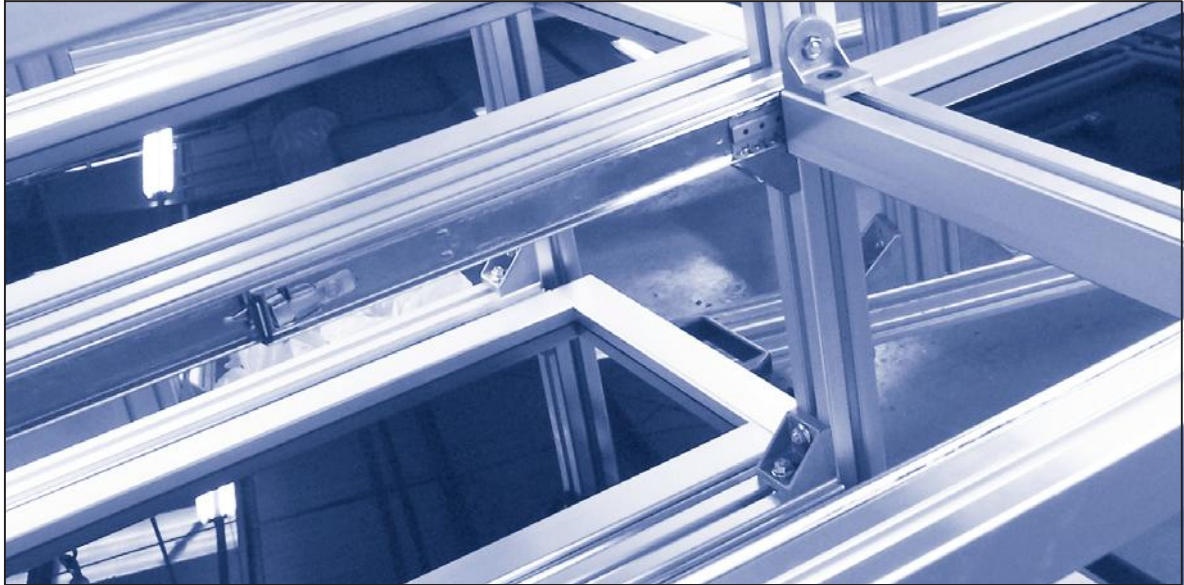
[sales@electromate.com](mailto:sales@electromate.com)



## Profiles with Linear Guides

### MCS Profiles with Linear Guides

#### Hepco HTS Telescopic Ball Bearing Slides mounted to MCS profiles



**Hepco HTS telescopic ball bearing slides** are manufactured under strict quality control conditions backed by ISO 9002 certification using the highest quality materials and up to date manufacturing processes. These high quality slides are quiet, rigid under extended loads and due to the superior construction offer excellent smooth motion and low friction characteristics across the complete travel length.

**Hepco's Telescopic slides** are an ideal partner with **MCS** aluminium profile sections enabling simple yet rigid drawers, printer tables, circuit board packs etc to be designed into any Hepco **MCS** frame available. Mounting of the slides is simple utilising Hepco's range of anti rotation T-Nuts.

#### Features and Benefits

- 5 basic ranges from light to heavy duty up to 280kg/pair
- Range of options available, lock out, lever disconnect etc.
- Standard ranges available from stock
- Rigid member ball bearing slide structure maintains smooth motion over entire travel
- High static capacity from rigid structure with minimal deflection
- Quality cold rolled steel members with slotted mounting holes for quick installation
- Exceptional accuracy from precision pressed slide rails
- 3 member slide series for higher capacity in narrow space

Request the HTS  
catalogue 01884 257000



Sold & Serviced By:

 **ELECTROMATE**

Toll Free Phone (877) SERV098

Toll Free Fax (877) SERV099

[www.electromate.com](http://www.electromate.com)

[sales@electromate.com](mailto:sales@electromate.com)



# Alphabetical Index

## Index

	PAGE		PAGE
Accessories .....	25	Panel Mounting Block .....	34
Aluminium Profile Sections Standard .....	4-5	Panel Retaining Clip .....	39
Aluminium Profile Sections Specialist .....	41	Profile Connections Carrying Capacity .....	50-51
Bolt Connector Set .....	20	Profile Connections .....	16-24
Brackets .....	20-23	Selection Data .....	47-52
Cable Clamp Block .....	34	Slide Systems .....	54, 64
Carriage Types .....	56	Precision GV3 .....	54
Spacer Slides .....	58	Stainless Steel SL2 .....	54
Compatability Table .....	59	Belt Driven Linear System DLS .....	63
Flat Slides .....	60	Powerslide 2 .....	63
Compatability Table .....	61	Telescopic Ball Bearing Slides HTS .....	64
Attaching Slides .....	62	Sliding Door System .....	40
Castors .....	29	Slot Block .....	20
Conduit Duct .....	43	Slot Profile A&B .....	42
Connector Selection Data .....	50-52	Snap Hook .....	34
Connection Screw .....	18	Sponge Retaining Strip .....	39
Connector Link Set .....	20	Suspended Slide .....	34
Cover Strip .....	31	T-Bolt & Flange Nut .....	18
End Caps .....	31/39	T-Nut .....	19-20
End Connector Set .....	24	Technical Details .....	44-53
Fencing Profiles .....	38	Profile Specification .....	48-49
Fencing System .....	35-40	Profile Deflection/Inertia .....	46-47
Flexi Connector Drilling Jig .....	24	Profile Connection Capacities .....	50-51
Flexi Connector .....	17	Joint Selection .....	52
Foot .....	26	Machining Detail .....	53
Foot Plates .....	27		
Foundation Block .....	39		
Foundation Bracket .....	28		
Glazing Strip .....	30		
Guide Profile .....	42		
Handle .....	33		
Hinges (Plastic/Die Cast) .....	32		
Interior Bracket .....	23		
Joins			
Flexi .....	17		
Brackets .....	20-23		
Interior Brackets .....	23		
Connection Screw .....	18		
Knuckle Joints .....	23		
Ordering Details (Slide & MCS) .....	55		
Panel Guide .....	30		
Panel Holder .....	30		

Sold & Serviced By:



Toll Free Phone (877) SERV098

Toll Free Fax (877) SERV099

[www.electromate.com](http://www.electromate.com)

[sales@electromate.com](mailto:sales@electromate.com)

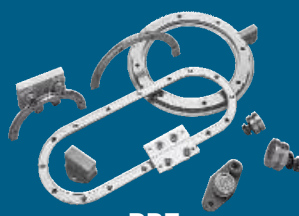
# HepcoMotion® Product Range



**GV3**  
Linear Guidance and  
Transmission System



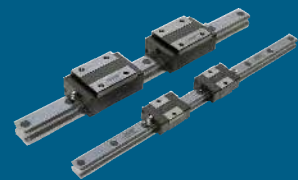
**HDS**  
Heavy Duty Slide System



**PRT**  
Ring Slides and  
Track System



**SL2**  
Stainless Steel Based  
Slide System



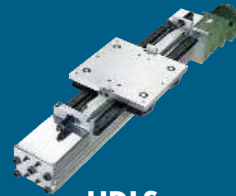
**LBG**  
Linear Ball Guides



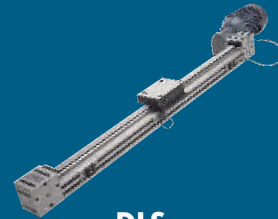
**MCS**  
Aluminium Frame and  
Machine Construction System



**HPS**  
Powerslide-2 Guided  
Rodless Cylinder



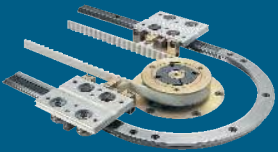
**HDLS**  
Heavy Duty Driven  
Linear System



**DLS**  
Linear Transmission and  
Positioning System



**HTS**  
Telescopic Ball  
Bearing Slides



**DTS**  
Driven Track System



**BSP**  
Ballscrew Premier



**Simple Select**  
Vee Slide Linear  
Guidance Systems



**PDU2**  
Profile Driven Unit



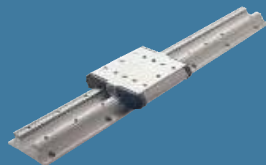
**PSD120**  
Profile Screw Driven Unit

## BishopWisecarver Product Range

HepcoMotion® - Exclusive European partners and distributors for Bishop-Wisecarver since 1984.



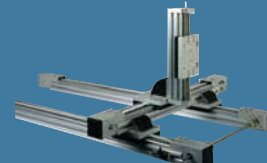
**DUAL VEE**  
Single Edge Slide System



**LoPro**  
Aluminium Based  
Slide System



**Utilitrak**  
Lightweight U Channel  
Guideway



**QuickTrak**  
Linear Motion System

For further information on HepcoMotion® products -  
please request our leaflet 'FPL'



Sold & Serviced By:



Toll Free Phone (877) SERV098

Toll Free Fax (877) SERV099

[www.electromate.com](http://www.electromate.com)

[sales@electromate.com](mailto:sales@electromate.com)



INVESTOR IN PEOPLE

