

**HepcoMotion®**

**SimpleSelect®**

**Vee Slide Linear  
Guidance System**

**Simple to Specify  
Simple to Order**



**BISHOPWISECARVER®**

Sold & Serviced By:



Toll Free Phone (877) SERV098

Toll Free Fax (877) SERV099

[www.electromate.com](http://www.electromate.com)

[sales@electromate.com](mailto:sales@electromate.com)

Introducing

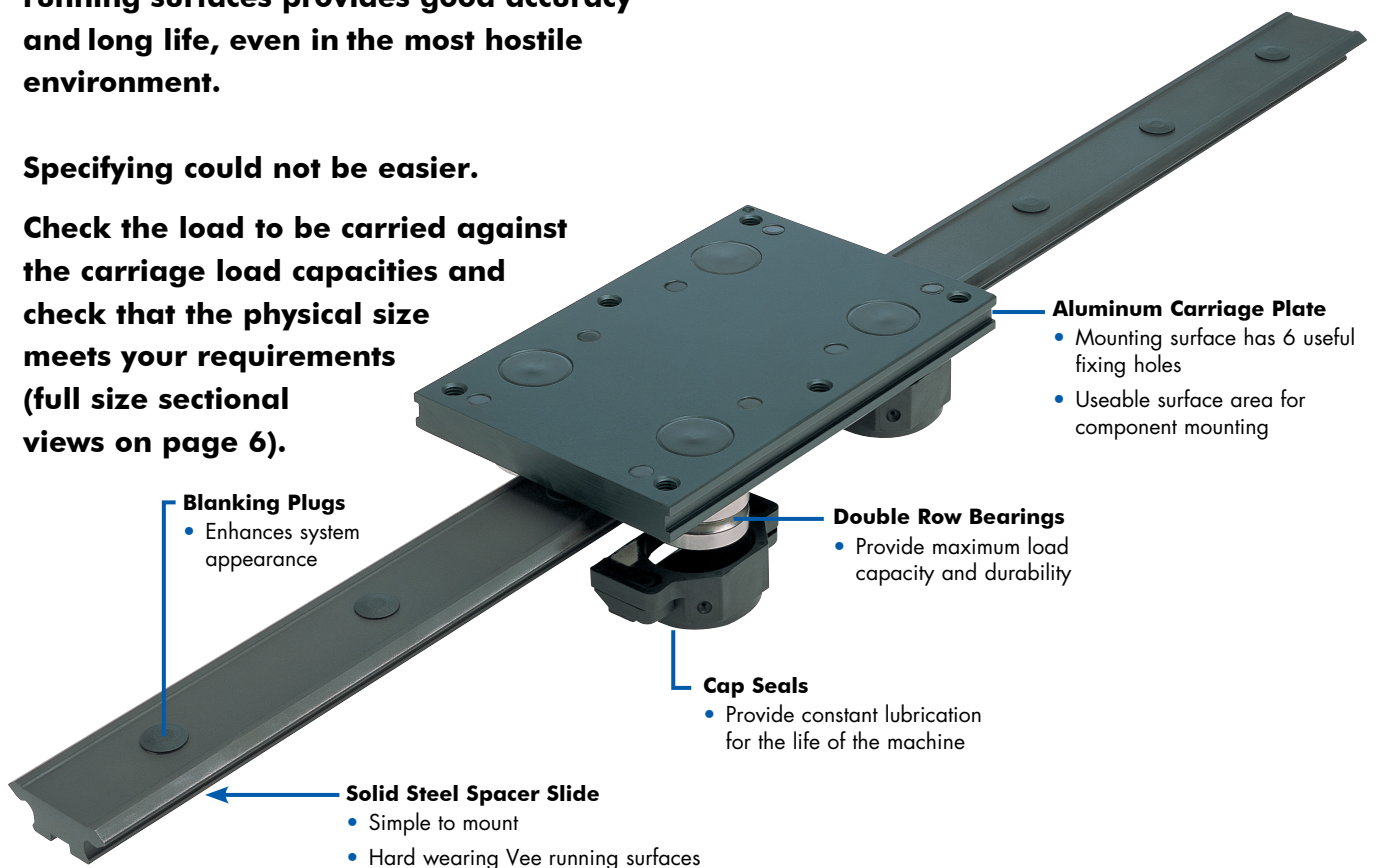
# HepcoMotion Simple Select®

## Vee Slide Linear Guidance Systems

Hepco Simple-Select® offers four useful sizes of spacer slides supplied complete with carriages assembled and ready for installation. All units are fitted with double row bearings and cap seals to ensure a long and trouble-free life. Our general purpose spacer slide precision cold drawn and hardened on the Vee running surfaces provides good accuracy and long life, even in the most hostile environment.

Specifying could not be easier.

Check the load to be carried against the carriage load capacities and check that the physical size meets your requirements (full size sectional views on page 6).



### Benefits

- Select standard range of 4 popular sizes ready for dispatch in 24 hours or less
- Utilizes proven Hepco Vee Slide technology – ideal for high speed/short stroke movements
- Low installation time simply bolt slide down
- Can be fitted to unmachined surfaces if required
- System compliance – ideal for fitting to aluminum profiles
- Accurate drawn slide allows smooth low friction movement
- Double row bearings for long and trouble free life
- Fitted cap seals prevent dirt ingress and ensure constant positive lubrication
- Induction hardened Vee slide – low wear characteristics
- Quiet in operation

Characteristics By:



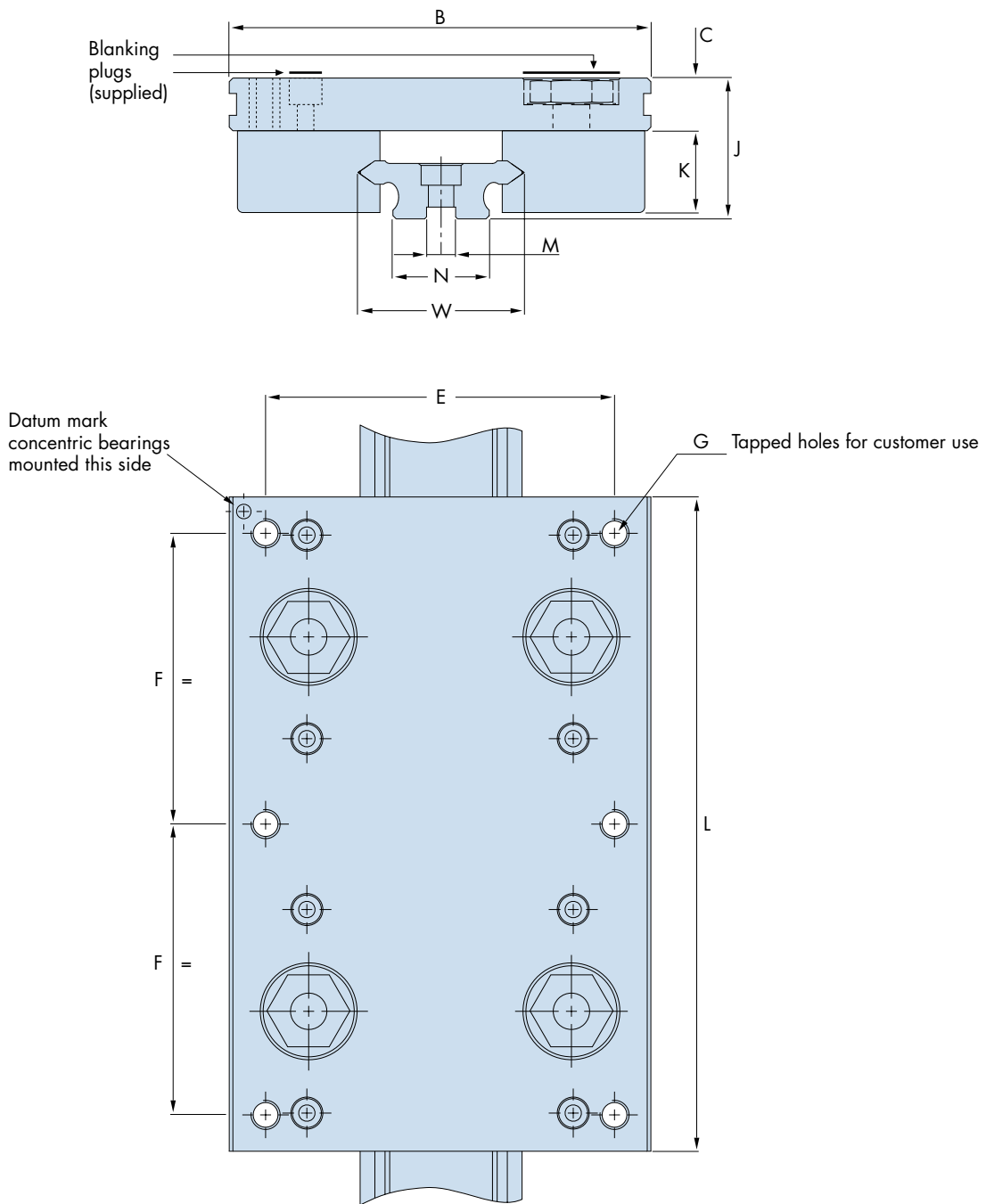
Toll Free Phone (877) SERV098

Toll Free Fax (877) SERV099

[www.electromate.com](http://www.electromate.com)

[sales@electromate.com](mailto:sales@electromate.com)

# Dimensional Data



Size	W	B	C	J	K	L	M	N	E	F	G
20	20	64	10	24.95	14	100	5 x 2	12.4	50	44	6 x M5
25	25	80	11.5	30.7	18	135	6 x 2.5	15.4	65	60	6 x M6
44	44	116	14.5	38.7	22.5	180	8 x 3	26.4	96	80	6 x M8
76	76	185	20	58.7	36.5	300	15 x 5	50.4	160	135	6 x M10

For a more extensive range of options please refer to our GV3 Catalog.

Sold & Serviced By:  
 **ELECTROMATE**

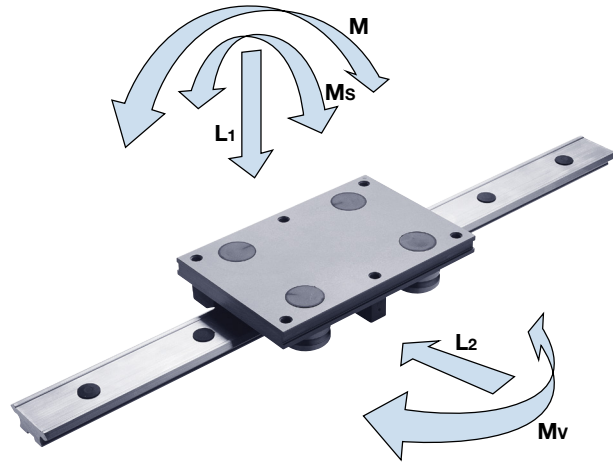
Toll Free Phone (877) SERV098  
 Toll Free Fax (877) SERV099  
[www.electromate.com](http://www.electromate.com)  
[sales@electromate.com](mailto:sales@electromate.com)

# Load/Life Data

Components used in the Simple-Select® range will provide the user with the best combination to achieve a long and trouble free life in clean or arduous environments. Fitted cap seals cover double row bearings and provide a reservoir for grease lubrication and to prevent dirt ingress. In most cases a single application of grease, which Bishop-Wisecarver provides on assembly of the unit, will last for the life of the machine.

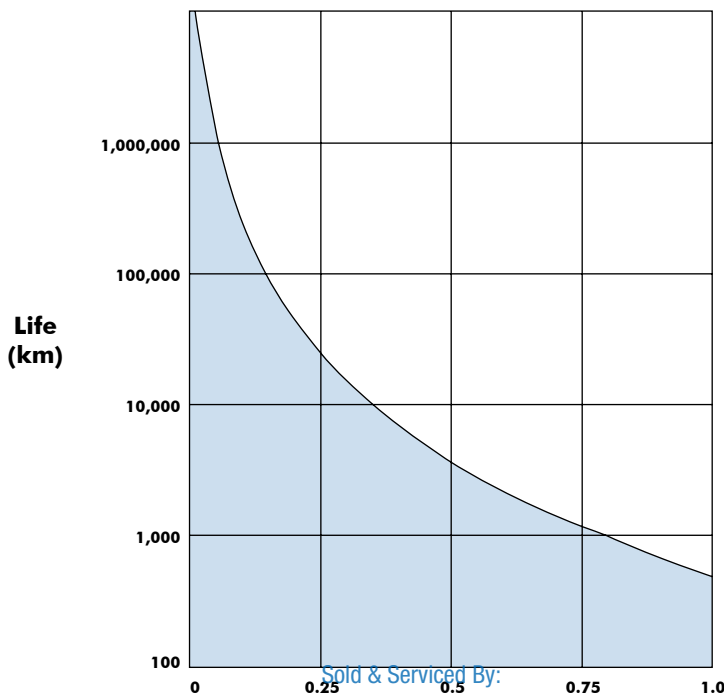
## Simple Life Check

Most applications involve central L1 loads. In these cases simply divide your load (N) by the carriage L1 capacity figure below to determine a load factor. Then simply read off the life from the graph. For offset loads you will need to add the relevant load factors to determine the total. Load Factor should not exceed 1.



Size	Carriage Capacities				
	L1(N)	L2(N)	Ms(Nm)	Mv(Nm)	M(Nm)
20	435	685	4	19	12
25	800	1500	9	56	30
44	2800	4700	57	243	146
76	10000	10000	360	990	990

$$\text{Load Factor} = \frac{\text{Load Carried}}{\text{Carriage Capacity}} = \frac{L1}{L1_{(max)}} + \frac{L2}{L2_{(max)}} + \frac{Ms}{Ms_{(max)}} + \frac{Mv}{Mv_{(max)}} + \frac{M}{M_{(max)}}$$



Sold & Serviced By:  
**ELECTROMATE**  
 Load Factor

Toll Free Phone (877) SERV098  
 Toll Free Fax (877) SERV099  
[www.electromate.com](http://www.electromate.com)  
[sales@electromate.com](mailto:sales@electromate.com)

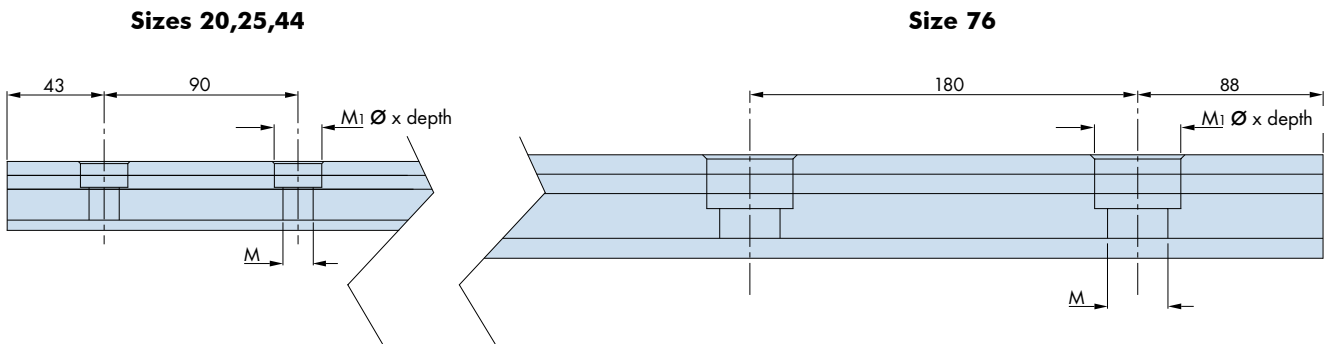
## Ordering Details

Available slide lengths from the Simple-Select® range are shown in the chart below:

Slide Size	Slide Lengths in mm										
	266	356	536	716	896	1076	1256	1436	1616	1796	1976
20	266	356	536	716	896	1076	1256	1436	1616	1796	1976
25	266	356	536	716	896	1076	1256	1436	1616	1796	1976
44	266	356	536	716	896	1076	1256	1436	1616	1796	1976
76	-	-	536	716	896	1076	1256	1436	1616	1796	1976

Other lengths available on request up to 4m (not Simple-Select® service).

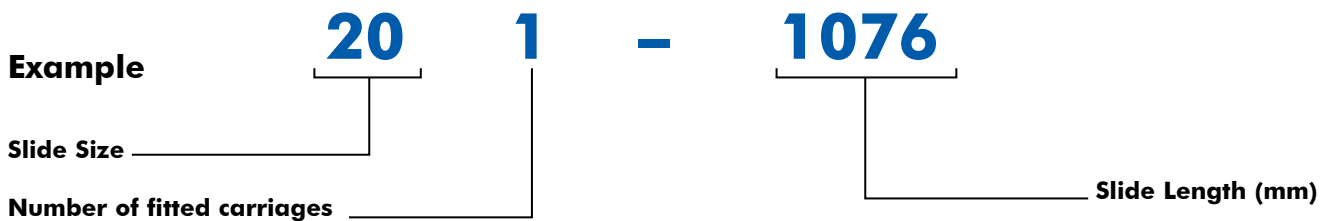
### Slide Hole Centers



Size	M	M <sub>1</sub>
20	4.5	8 x 4.1
25	5.5	10 x 5.1
44	7	11 x 6.1

Size	M	M <sub>1</sub>
76	14	20 x 12

**To Order** – Simply specify slide size, number of fitted carriages and slide length



Units are supplied with carriages adjusted ready for mounting.

Sold & Serviced By:



Toll Free Phone (877) SERV098

Toll Free Fax (877) SERV099

www.electromate.com

sales@electromate.com

## Technical Specifications

### 'V' Slides

Material and Finish: High carbon bearing steel AISI 52100, hardened on 'V' faces to 58-62 Rockwell 'C' scale. Slide will be supplied with chemical black or similar finish.

### Bearings

Bearing Raceways and Balls: Carbon-chromium bearing steel AISI 52100, hardened and tempered.  
Shields: Steel, except size 18 which has nitrile rubber seals.  
Cage: Plastic.  
Studs: High Tensile Steel with tensile strength = 695 N/mm<sup>2</sup>. Chemical black finish.  
Temperature Range: -20°C to +120°C

### Carriage Plates

Material: High Strength Aluminum Alloy  
Finish: Black Anodized

### Carriage Plate & Slide Counterbore Plugs

Material: Plastic

### Cap Seals

Material: Body: Thermoplastic elastomer  
Inserts: Impact resistant plastic  
Wipers: Felt  
Temperature Range: -20°C to +60°C

### Frictional Resistance for 'V' Slide Systems

To determine frictional resistance use  $0.02 \times \text{Load (N)} + \text{Seal Friction (N)}$ .

Seal friction figures: Size 20 = 4 N      Size 25 = 7 N  
Size 44 = 15 N      Size 76 = 28 N

### External Lubrication

Cap Seals will be supplied lubricated, further lubrication is not normally necessary unless a high duty cycle/speed is involved. In these cases re-lubrication with a grease NLGI consistency No. 2 will suffice.

### Maximum Linear Speeds for 'V' Slides & Bearings.

Lubricated 'V' Slides = 8 m/s

Material specifications may change for reasons of technical advantage or availability.

Sold & Serviced By:



Toll Free Phone (877) SERV098

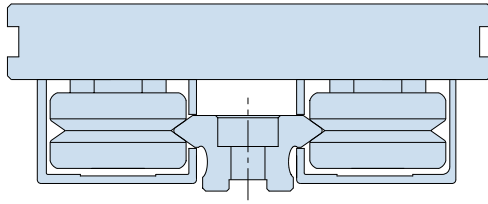
Toll Free Fax (877) SERV099

[www.electromate.com](http://www.electromate.com)

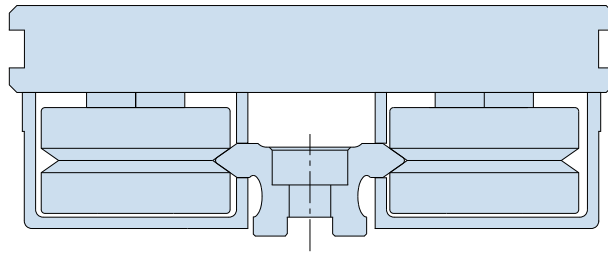
[sales@electromate.com](mailto:sales@electromate.com)

# Full Size Sectional Views

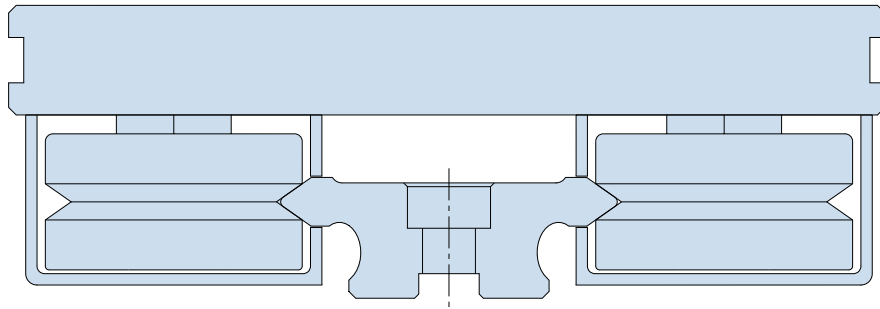
Size 20



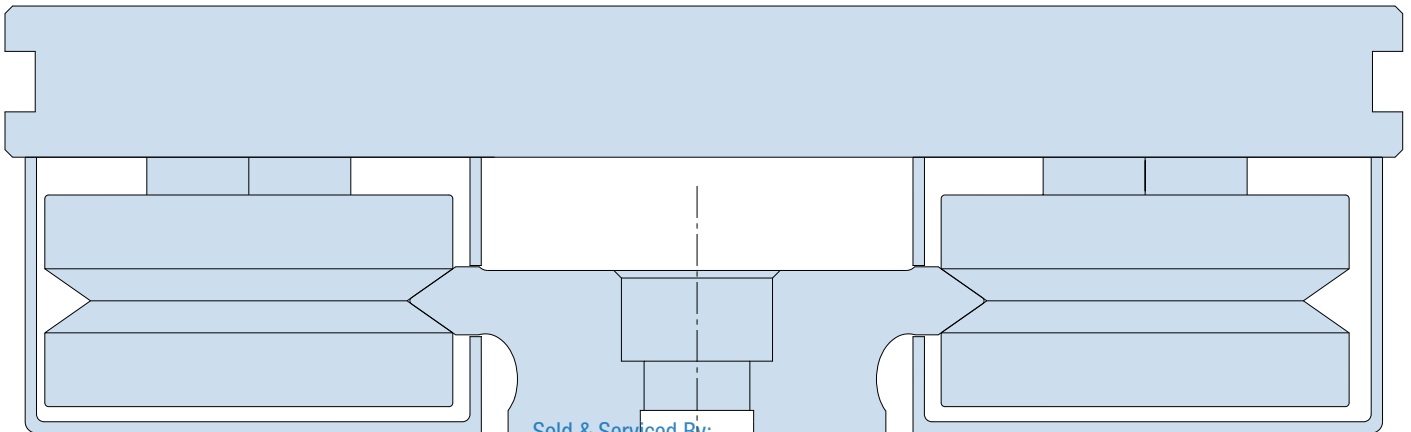
Size 25



Size 44



Size 76



Sold & Serviced By:



Toll Free Phone (877) SERV098

Toll Free Fax (877) SERV099

[www.electromate.com](http://www.electromate.com)

[sales@electromate.com](mailto:sales@electromate.com)

**Bishop-Wisecarver Corporation:** Manufacturer of the original DualVee® guide wheel and industry leader in guided motion technology, and exclusive North and Central American partner and distributor for HepcoMotion products since 1984.

**BISHOPWISECARVER**®

**Bishop-Wisecarver**

- DualVee® Guide Wheels
- LoPro® Linear Motion System
- MadeWell® Crown Rollers
- MinVee® Linear Slide System
- UtiliTrak® Linear Motion Guide



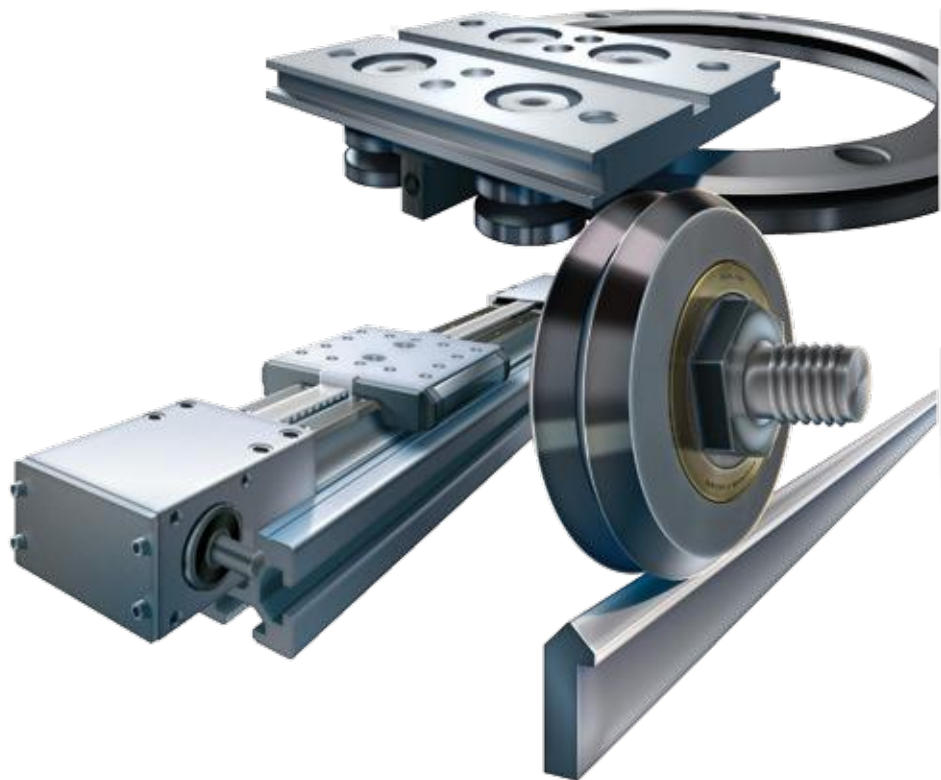
**HepcoMotion**®

- DAPDU2 Double Acting Profile Driven Unit
- DLS Driven Linear System
- DTS Driven Track System
- GV3 Linear Guidance and Transmission System
- HDCB Heavy Duty Compact Beam
- HDCS Heavy Duty Compact Screw
- HDLS Heavy Duty Driven Linear System
- HDRT Heavy Duty Ring Slides and Track System
- HDS2 Heavy Duty Slide System
- MHD Heavy Duty Track Roller Guidance System
- MCS Machine Construction System
- PDU2 Profile Driven Unit
- PDU2M Belt Driven Unit for Moment Loads
- PRT2 Precision Ring and Track System
- PSD80 Screw Driven Linear Actuator
- PSD120 Profile Screw Driven Unit
- SBD Sealed Belt Drive
- Simple-Select®
- SL2 Stainless Steel Based Slide System

**3D CAD DRAWINGS**

**FOLLOW BISHOP-WISECARVER NEWS & UPDATES**

**PRODUCT ORDERS**



Sold & Serviced By:



Toll Free Phone (877) SERV098  
Toll Free Fax (877) SERV099  
[www.electromate.com](http://www.electromate.com)  
[sales@electromate.com](mailto:sales@electromate.com)