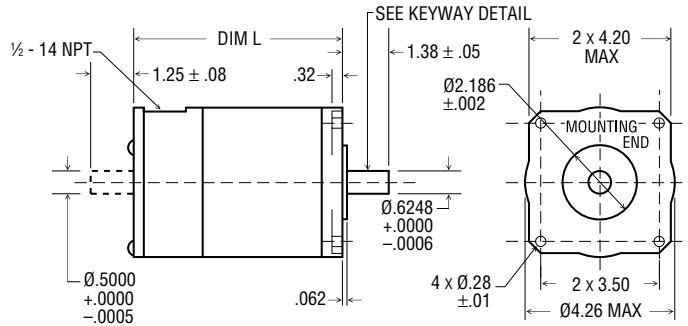




STEP MOTORS

Hybrid Step Motors

SIZE 42

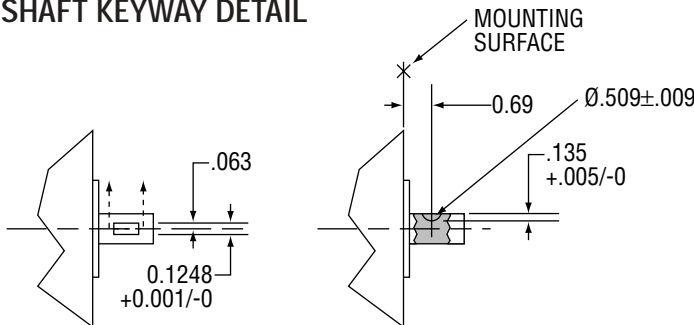


Part #	MOTOR CONNECTION 1 = series 2 = parallel 3 = unipolar	Motor Length (inches)	Minimum Holding Torque (oz-in)	Terminal Block Connections	Step Angle					Rotor Inertia (oz-in ² /G-CM ²)	Motor Weight (Lbs.)
						Volts	Amps	Ohms	mH		
5042-022	1	7.7	1591.0	8	1.8	3.8	6.70	0.6	7.6	49.2/9000	18.3
	2	↓	1591.0	↓	↓	1.9	13.40	0.1	1.9	↓	↓
	3	↓	1125.0	↓	↓	2.7	9.50	0.28	1.9	↓	↓
5042-023	1	↓	1591.0	↓	↓	6.6	3.32	2.0	35.2	↓	↓
	2	↓	1591.0	↓	↓	3.3	6.65	0.5	8.8	↓	↓
	3	↓	1125.0	↓	↓	4.7	4.70	1.00	8.8	↓	↓

OTHER LENGTHS AND WINDINGS AVAILABLE UPON REQUEST

- Part numbers listed are for single shaft. To order double shaft add 'D' to the end.
- All size 42 motors are optimized for microstepping and use with 160 volt drives.

SHAFT KEYWAY DETAIL



#404 WOODRUFF KEYWAY
KEY SUPPLIED WITH MOTOR

TERMINAL #	WINDING WIRE COLOR
1	RED
2	BLUE
3	BLACK
4	WHITE
5	GREEN
6	YELLOW
7	BROWN
8	ORANGE

