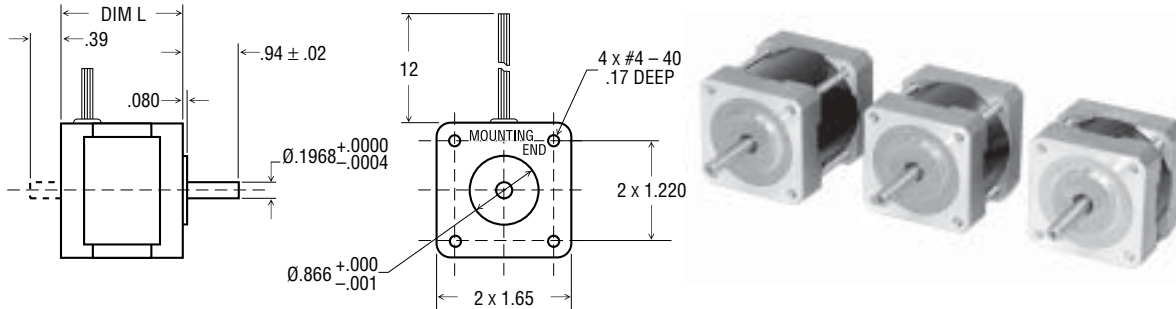




STEP MOTORS



Part #	MOTOR CONNECTION			Motor Length (inches)	Minimum Holding Torque (oz-in)	Leads	Step Angle	Volts	Amps	Ohms	mH	Rotor Inertia (oz-in <sup>2</sup> /G-CM <sup>2</sup> )	Motor Weight (Lbs.)
	1 = series	2 = parallel	3 = unipolar										
5017-006	1			1.34	21.2	6	1.8	5.7	.67	8.4	12.4	.104/19.0	.40
	3			↓	15.0	↓	↓	4.0	.95	4.2	3.1	↓	↓
5017-007	1			↓	21.2	↓	↓	13.6	.28	48.0	64.0	↓	↓
	3			↓	15.0	↓	↓	9.6	.40	24.0	16.0	↓	↓
5017-008	1			↓	14.1	↓	↓	17.0	.11	150.0	180.0	↓	↓
	3			↓	10.0	↓	↓	12.0	.16	75.0	45.0	↓	↓
5017-009	1			1.54	31.1	↓	↓	8.5	.57	15.0	26.0	.147/27.0	.52
	3			↓	22.0	↓	↓	6.0	.80	7.5	6.5	↓	↓
5017-010	1			↓	31.1	↓	↓	17.0	.28	60.0	112.0	↓	↓
	3			↓	22.0	↓	↓	12.0	.40	30.0	28.0	↓	↓
5017-011	1			↓	31.1	↓	↓	33.9	.14	240.0	420.0	↓	↓
	3			↓	22.0	↓	↓	24.0	.20	120.0	105.0	↓	↓
5017-012	1			1.85	42.4	↓	↓	5.7	.85	6.6	11.2	.191/35.0	.66
	3			↓	30.0	↓	↓	4.0	1.20	3.3	2.8	↓	↓
5017-013	1			↓	42.4	↓	↓	8.5	.57	15.0	23.2	↓	↓
	3			↓	30.0	↓	↓	6.0	.80	7.5	5.8	↓	↓
5017-014	1			↓	42.4	↓	↓	17.0	.28	60.0	104.0	↓	↓
	3			↓	30.0	↓	↓	12.0	.40	30.0	26.0	↓	↓

**OTHER LENGTHS AND WINDINGS AVAILABLE UPON REQUEST**

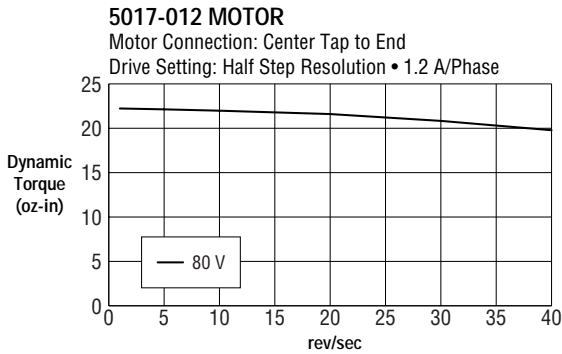
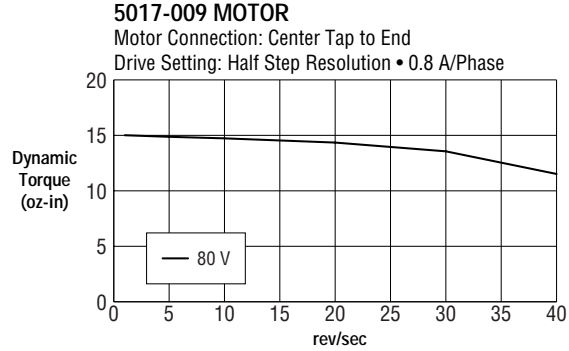
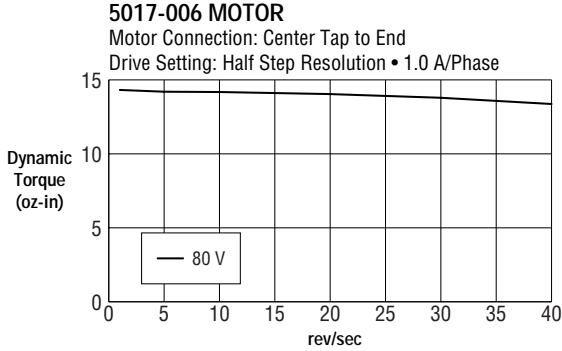
• Part numbers listed are for single shaft. To order double shaft add 'D' to the end.

Hybrid Step Motors  
 SIZE 17



# Size 17 Motor

## Typical Speed/Torque Performance\*



\*Full steps/sec = Rev/sec x 200. Half steps/sec = Rev/sec x 400.