

Description

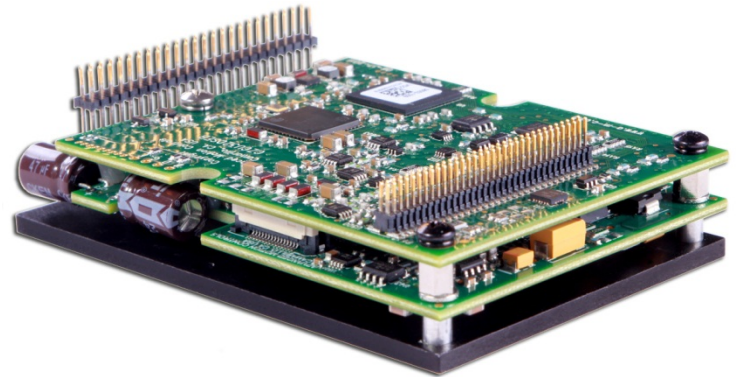
The DZCANTU-020B080 digital servo drive is designed to drive brushed and brushless servomotors from a compact form factor ideal for embedded applications. This fully digital drive operates in torque, velocity, or position mode and employs Space Vector Modulation (SVM), which results in higher bus voltage utilization and reduced heat dissipation compared to traditional PWM. The drive can be configured for a variety of external command signals. Commands can also be configured using the drive's built-in Motion Engine, an internal motion controller used with distributed motion applications. In addition to motor control, this drive features dedicated and programmable digital and analog inputs and outputs to enhance interfacing with external controllers and devices.

The DZCANTU-020B080 features a CANopen interface for networking, and a USB interface for drive configuration and setup. Drive commissioning is accomplished using DriveWare® 7, available for download at www.a-m-c.com.

All drive and motor parameters are stored in non-volatile memory.

Power Range

Peak Current	20 A (14.1 A _{RMS})
Continuous Current	10 A (10 A _{RMS})
Supply Voltage	18 - 80 VDC


Features

- ▲ Four Quadrant Regenerative Operation
- ▲ Space Vector Modulation (SVM) Technology
- ▲ Fully Digital State-of-the-art Design
- ▲ Programmable Gain Settings
- ▲ Fully Configurable Current, Voltage, Velocity and Position Limits
- ▲ PIDF Velocity Loop
- ▲ PID + FF Position Loop
- ▲ Compact Size, High Power Density
- ▲ 12-bit Analog to Digital Hardware
- ▲ On-the-Fly Mode Switching
- ▲ On-the-Fly Gain Set Switching

MODES OF OPERATION

- Profile Current
- Profile Position
- Profile Velocity
- Cyclic Synchronous Current Mode
- Cyclic Synchronous Velocity Mode
- Cyclic Synchronous Position Mode

COMMAND SOURCE

- ±10 V Analog
- Encoder Following
- Over the Network
- Sequencing
- Indexing
- Jogging

FEEDBACK SUPPORTED (FIRMWARE DEPENDENT)

- Halls
- Incremental Encoder
- Auxiliary Incremental Encoder
- 1Vp-p Sine/Cosine Encoder (see note 4 on page 3)
- Absolute Encoder (Heidenhain EnDat® or Stegmann Hiperface® or BiSS C-Mode)
- ±10 VDC Position
- Tachometer (±10 VDC)

INPUTS/OUTPUTS

- 1 Programmable Analog Input (12-bit Resolution)
- 5 Programmable Digital Inputs (Differential)
- 3 Programmable Digital Inputs (Single-Ended)
- 5 Programmable Digital Outputs (Single-Ended)
- 3 High Speed Captures

Sold & Serviced By:



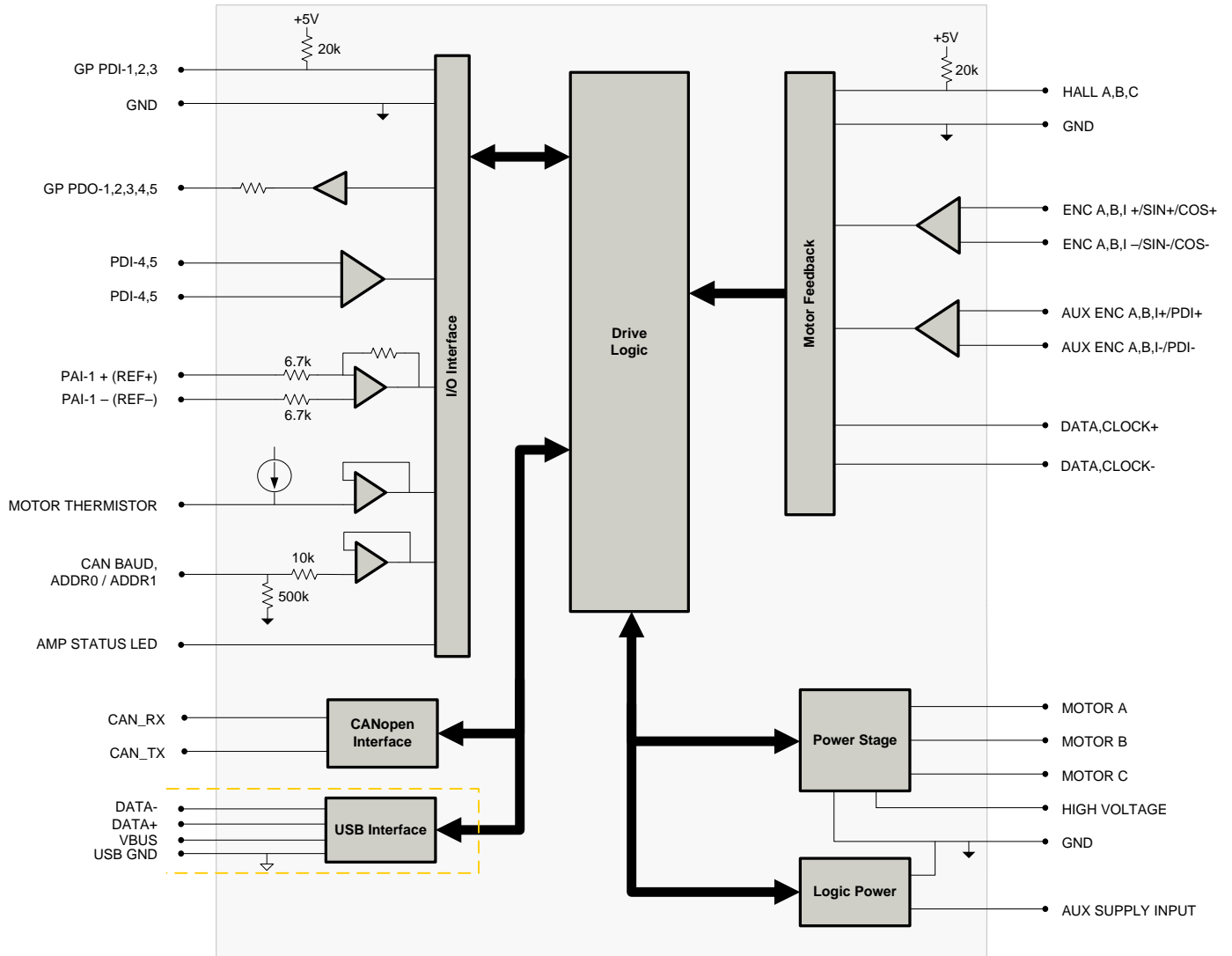
Toll Free Phone (877) SERV098

Toll Free Fax (877) SERV099

www.electromate.com
sales@electromate.com
COMPLIANCES & AGENCY APPROVALS

- RoHS
- UL/cUL Pending
- CE Pending

BLOCK DIAGRAM



Information on Approvals and Compliances



RoHS (Reduction of Hazardous Substances) is intended to prevent hazardous substances such as lead from being manufactured in electrical and electronic equipment.

Sold & Serviced By:



Toll Free Phone (877) SERV098

SPECIFICATIONS

Power Specifications		
Description	Units	Value
DC Supply Voltage Range	VDC	18 - 80
DC Bus Over Voltage Limit	VDC	89
DC Bus Under Voltage Limit	VDC	16
Logic Supply Voltage	VDC	18 - 80
Maximum Peak Output Current ¹	A (Arms)	20 (14.1)
Maximum Continuous Output Current ²	A (Arms)	10 (10)
Maximum Continuous Output Power	W	760
Maximum Power Dissipation at Continuous Current	W	40
Internal Bus Capacitance	µF	145
Minimum Load Inductance (Line-To-Line) ³	µH	250
Switching Frequency	kHz	20
Maximum Output PWM Duty Cycle	%	85
Control Specifications		
Description	Units	Value
Communication Interfaces	-	CANopen (USB for configuration)
Command Sources	-	±10 V Analog, Encoder Following, Over the Network, Indexing, Jogging
Feedback Supported (Firmware Dependent) ⁴	-	Auxiliary Incremental Encoder, Halls, Incremental Encoder, 1Vp-p Sine/Cosine Encoder, Absolute Encoder (Heidenhain EnDat®, Stegmann Hiperface®, or BiSS C-Mode), ±10 VDC Position, Tachometer (±10 VDC)
Commutation Methods	-	Sinusoidal, Trapezoidal
Modes of Operation	-	Profile Current, Profile Velocity, Profile Position, Cyclic Synchronous Current, Cyclic Synchronous Velocity, Cyclic Synchronous Position
Motors Supported	-	Closed Loop Vector, Single Phase (Brushed, Voice Coil, Inductive Load), Three Phase (Brushless)
Hardware Protection	-	40+ Configurable Functions, Over Current, Over Temperature (Drive & Motor), Over Voltage, Short Circuit (Phase-Phase & Phase-Ground), Under Voltage
Programmable Digital Inputs/Outputs (PDIs/PDOs)	-	8/5
Programmable Analog Inputs/Outputs (PAIs/PAOs)	-	1/0
Primary I/O Logic Level	-	5V TTL
Current Loop Sample Time	µs	50
Velocity Loop Sample Time	µs	100
Position Loop Sample Time	µs	100
Maximum Encoder Frequency	MHz	20 (5 pre-quadrature)
Mechanical Specifications		
Description	Units	Value
Agency Approvals	-	RoHS, UL/cUL Pending, CE Pending
Size (H x W x D)	mm (in)	88.9 x 63.5 x 20.1 (3.5 x 2.5 x 0.8)
Weight	g (oz)	124.7 (4.4)
Baseplate Operating Temperature Range ⁵	°C (°F)	0 - 75 (32 - 167)
Storage Temperature Range	°C (°F)	-20 - 85 (-4 - 185)
Relative Humidity	-	0 - 90% non-condensing
Altitude	m (ft)	0 - 4000 (0 - 13123)
Cooling System	-	Natural Convection
Form Factor	-	PCB Mounted
P1 Connector	-	68-pin, 1.27 mm spaced, dual-row header
P2 Connector	-	50-pin, 2.0 mm spaced, dual-row header

Notes

1. Capable of supplying drive rated peak current for 2 seconds with 10 second foldback to continuous value. Longer times are possible with lower current limits.
2. Continuous A_{rms} value attainable when RMS Charge-Based Limiting is used.
3. Lower inductance is acceptable for bus voltages well below maximum. Use external inductance to meet requirements.
4. Contact *ADVANCED* Motion Controls for 1Vp-p Sine/Cosine Encoder feedback availability.
5. Additional cooling and/or heatsink may be required to achieve rated performance.

Sold & Serviced By:



Toll Free Phone (877) SERV098

ADVANCED Motion Controls (877) 3865/098 Tecate, Camarillo, CA, 93012

ph# 805-389-1165 fax# 805-389-1165 www.a-m-c.com

sales@electromate.com

 Release Date:
4/28/2014

 Status:
Active

PIN FUNCTIONS

P1 - Signal Connector				P1 - Signal Connector				
Pin	Name	Description / Notes	I/O	Pin	Name	Description / Notes	I/O	
1	RESERVED	Reserved. Do not connect.	-	2	CAN BAUD	CAN Bus Bit Rate Selector	I	
3	PAI-1-	Differential Programmable Analog Input or Reference Signal Input (12-bit Resolution)	I	4	ADDR1	CAN Bus Address Selector	I	
5	PAI-1+		I	6	ADDR0		I	
7	GROUND	Ground	GND	8	GROUND	Ground	GND	
9	MOT ENC B- / COS-	Primary Incremental Encoder or Cos Input from feedback device (Absolute or Sin/Cos 1Vp-p)	I	10	MOT ENC A- / SIN-	Primary Incremental Encoder or Sin Input from feedback device (Absolute or Sin/Cos 1Vp-p)	I	
11	MOT ENC B+ / COS+		I	12	MOT ENC A+ / SIN+		I	
13	GROUND	Ground	GND	14	+5V OUT	+5V User Supply	O	
15	MOTOR THERMISTOR	Motor Thermistor Input	I	16	GROUND	Ground	GND	
17	MOT ENC CLK-	Serial Interface (RS485) for absolute feedback device	I/O	18	MOT ENC DATA-	Serial Interface (RS485) for absolute feedback device	I/O	
19	MOT ENC CLK+		I/O	20	MOT ENC DATA+		I/O	
21	MOT ENC I-	Differential Incremental Encoder Channel I	I	22	AUX ENC B-	Auxiliary Incremental Encoder Channel B or Differential Programmable Digital Input 7	I	
23	MOT ENC I+		I	24	AUX ENC B+		I	
25	AUX ENC I-	Auxiliary Incremental Encoder Channel I or Differential Programmable Digital Input 8	I	26	AUX ENC A-	Auxiliary Incremental Encoder Channel A or Differential Programmable Digital Input 6	I	
27	AUX ENC I+		I	28	AUX ENC A+		I	
29	+5V OUT	+5V User Supply	O	30	HALL B	Single-ended Commutation Sensor Inputs	I	
31	HALL C	Single-ended Commutation Sensor Input	I	32	HALL A		I	
33	PDI5-	Differential Programmable Digital Input 5 (High Speed Capture)	I	34	PDI4-	Differential Programmable Digital Input 4 (High Speed Capture)	I	
35	PDI5+		I	36	PDI4+		I	
37	GP PDO-5	General Purpose Programmable Digital Output	O	38	GP PDI-3	General Purpose Programmable Digital Input (High Speed Capture)	I	
39	GP PDO-4	General Purpose Programmable Digital Output	O	40	GP PDI-2	General Purpose Programmable Digital Input	I	
41	GP PDO-3	General Purpose Programmable Digital Output	O	42	GP PDI-1	General Purpose Programmable Digital Input	I	
43	GP PDO-2	General Purpose Programmable Digital Output	O	44	AMP STATUS LED-	AMP Status LED Output for Bi-Color LED	O	
45	GP PDO-1	General Purpose Programmable Digital Output	O	46	AMP STATUS LED+		O	
47	RESERVED	Reserved. Do not connect.	-	48	RESERVED	Reserved. Do not connect.	-	
49	+5V USB	USB Supply	O	50	DATA- USB	USB Data Channel	I/O	
51	GND USB	USB Ground	UGND	52	DATA+ USB		I/O	
53	GROUND	Ground	GND	54	GROUND	Ground	GND	
55	RESERVED	Reserved. Do not connect.	-	56	CAN_LOW	CAN_L bus line (dominant low)	I/O	
57	RESERVED		-	58	CAN_HIGH	CAN_H bus line (dominant high)	I/O	
59	GROUND	Ground	GND	60	RESERVED	Reserved. Do not connect.	-	
61	RESERVED	Reserved. Do not connect.	-	62	RESERVED		-	
63	RESERVED	Reserved. Do not connect.	-	64	RESERVED		-	
65	RESERVED	Reserved. Do not connect.	-	66	RESERVED		-	
67	GROUND	Ground	GND	68	GROUND		Ground	GND

P2 - Power Connector			
Pin	Name	Description / Notes	I/O
1	AUX SUPPLY INPUT	Auxiliary Supply Input for Logic backup (Optional)	I
2	AUX SUPPLY INPUT		I
3-10	HIGH VOLTAGE	DC Power Input	I
11	NC	Not Connected	-
12	NC	Not Connected	-
13-20	GROUND	Ground connection for input power	GND
21	NC	Not Connected	-
22	NC	Not Connected	-
23-30	MOTOR A	Motor Phase A. Current output distributed equally across 8 pins per motor phase, 3A Continuous Current Rating Per Pin.	O
31	NC	Not Connected	-
32	NC	Not Connected	-
33-40	MOTOR B	Motor Phase B. Current output distributed equally across 8 pins per motor phase, 3A Continuous Current Rating Per Pin.	O
41	NC	Not Connected	-
42	NC	Not Connected	-
43-50	MOTOR C	Motor Phase C. Current output distributed equally across 8 pins per motor phase, 3A Continuous Current Rating Per Pin.	O

Sold & Serviced By:



Toll Free Phone (877) SERV098

ADVANCED Motion Controls (877) 3865/098 Calle Tecate, Camarillo, CA, 93012

ph# 805-389-1165 fax# 805-389-1165 www.a-m-c.com

sales@electromate.com

Pin Details

ADDR0 (P1-6); ADDR1 (P1-4)

ADDR0, as well as *ADDR1*, are used for CAN bus addressing. To set the CAN node address of a drive, apply a fixed voltage to the *ADDR0* and *ADDR1* pins to determine a node ID. *ADDR0* sets the lower 4 bits of the address, and *ADDR1* sets the upper 4 bits of the address. The values for *ADDR0* and *ADDR1* are always integer multiples of 1/5 V within the range 0-3 V. Examples of the voltages required to set certain node ID's are given in the table below. Note that setting the address to 000 or any addresses above 127 will utilize the address stored in non-volatile memory.

ADDR1 Voltage (Volts)	ADDR1 Value (Hex)	ADDR0 Voltage (Volts)	ADDR0 Value (Hex)	CAN Address (Node #) (Decimal)
0	0	0	0	Address stored in non-volatile memory
0	0	0.2	1	001
0	0	0.4	2	002
0	0	0.6	3	003
...
1.4	7	2.8	E	126
1.4	7	3	F	127
1.6	8	0	0	Address stored in non-volatile memory
...
3	F	3	F	Address stored in non-volatile memory

CAN BAUD (P1-2)

The CAN bitrate is set by applying the appropriate voltage to the *CAN BAUD* pin as given in the table below.

CAN BAUD Value (V)	CAN BAUD Tolerance (V)	CAN Bus Bitrate (bits/s)
0	±0.388	Bit rate stored in non-volatile memory
1	±0.388	500k
2	±0.388	250k
3	±0.388	125k

Sold & Serviced By:



Toll Free Phone (877) SERV098

MECHANICAL INFORMATION

P1 - Signal Connector

Connector Information		68-pin, 1.27mm spaced, dual-row header
Mating Connector	Details	Samtec: CLP-134-02-F-D-BE-A-K
	Included with Drive	No

P2 - Power Connector

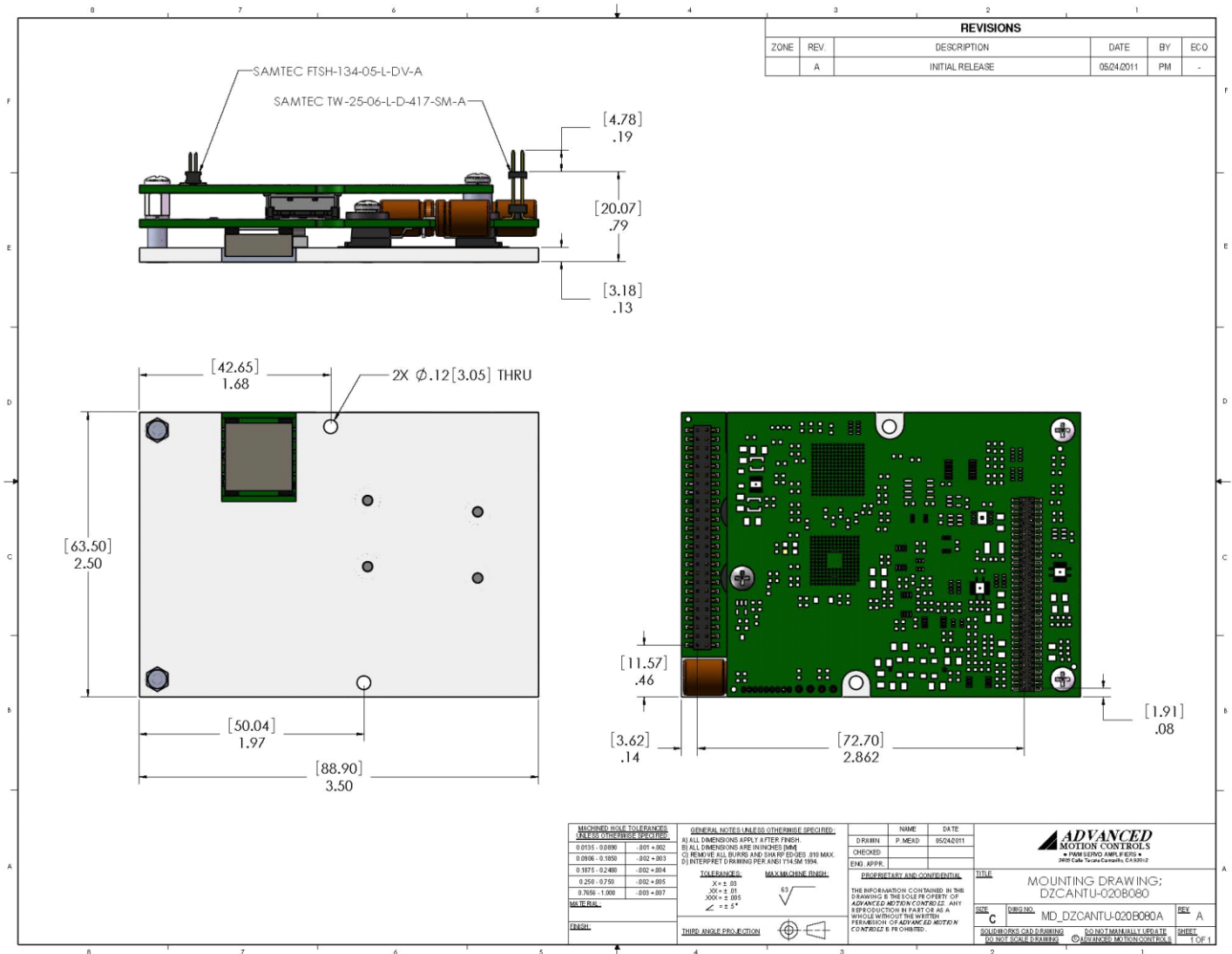
Connector Information		50-pin, 2.0mm spaced, dual-row header
Mating Connector	Details	Samtec: CLT-125-02-F-D-BE-A-K
	Included with Drive	No

Sold & Serviced By:



Toll Free Phone (877) SERV098

MOUNTING DIMENSIONS



<p>MACHINED HOLE TOLERANCES:</p> <p>DRILL HOLE SPECIFICATIONS:</p> <table border="1"> <tr> <td>0.0150 - 0.0800</td> <td>.005 ± .002</td> </tr> <tr> <td>0.0800 - 0.1650</td> <td>.002 ± .003</td> </tr> <tr> <td>0.1675 - 0.2400</td> <td>.002 ± .004</td> </tr> <tr> <td>0.2500 - 0.7500</td> <td>.002 ± .005</td> </tr> <tr> <td>0.7500 - 1.0000</td> <td>.003 ± .007</td> </tr> </table> <p>MAX. FINISH:</p> <p>FINISH:</p>	0.0150 - 0.0800	.005 ± .002	0.0800 - 0.1650	.002 ± .003	0.1675 - 0.2400	.002 ± .004	0.2500 - 0.7500	.002 ± .005	0.7500 - 1.0000	.003 ± .007	<p>GENERAL NOTES (UNLESS OTHERWISE SPECIFIED):</p> <p>A) ALL DIMENSIONS APPLY AFTER FINISH.</p> <p>B) ALL DIMENSIONS ARE IN INCHES (MM).</p> <p>C) REMOVE ALL BURRS AND SHARP EDGES (R10 MAX).</p> <p>D) INTERPRET DRAWING PER ANSI Y14.5M 1994.</p> <p>TOLERANCES:</p> <p>X ± .03</p> <p>XX ± .01</p> <p>XXX ± .005</p> <p>∠ ± .5°</p> <p>MAX MACHINE FINISH:</p> <p>63</p> <p>THIS ANGLE PROJECTION</p>	<p>NAME: _____ DATE: _____</p> <p>DRAWN: P. MEAD 05/24/2011</p> <p>CHECKED: _____</p> <p>ENG. APPROV: _____</p> <p>PROPRIETARY AND CONFIDENTIAL</p> <p>THE INFORMATION CONTAINED IN THIS DRAWING IS THE SOLE PROPERTY OF ADVANCED MOTION CONTROLS. ANY REPRODUCTION IN PART OR AS A WHOLE WITHOUT THE WRITTEN PERMISSION OF ADVANCED MOTION CONTROLS IS PROHIBITED.</p>	<p>ADVANCED MOTION CONTROLS • 1400 BEND AVENUE, SUITE 100 • 3RD FLOOR, TUCUMAN, CA 95282</p> <p>TITLE MOUNTING DRAWING: DZCANTU-020B080</p> <p>SIZE C UNITS INCHES SCALE A</p> <p>MD_DZCANTU-020B080A</p> <p>SHEET 1 OF 1</p>
0.0150 - 0.0800	.005 ± .002												
0.0800 - 0.1650	.002 ± .003												
0.1675 - 0.2400	.002 ± .004												
0.2500 - 0.7500	.002 ± .005												
0.7500 - 1.0000	.003 ± .007												

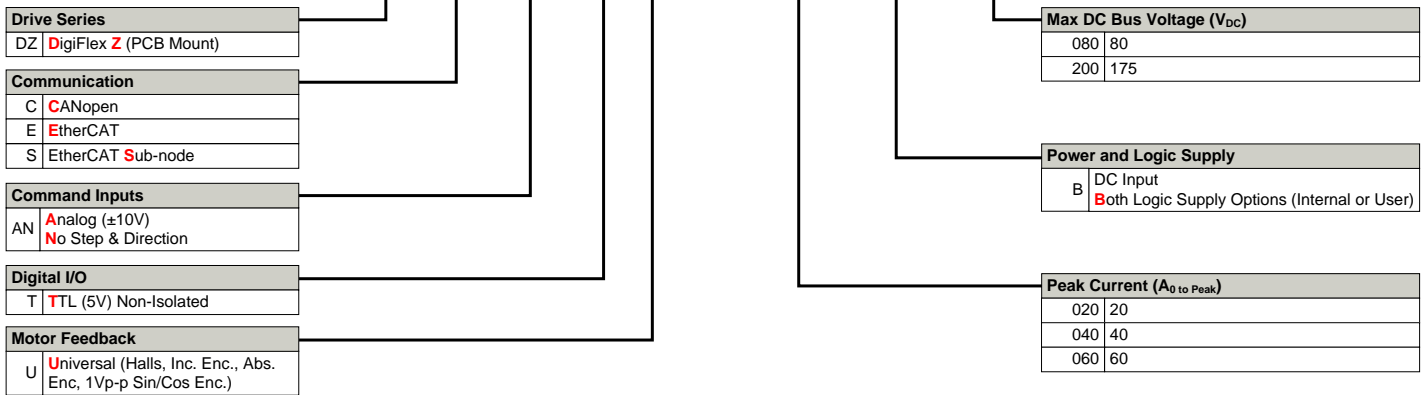
Sold & Serviced By:



Toll Free Phone (877) SERV098

PART NUMBERING INFORMATION

Example: **D Z C A N T U - 0 2 0 B 0 8 0**



DigiFlex® Performance™ series of products are available in many configurations. Note that not all possible part number combinations are offered as standard drives. All models listed in the selection tables of the website are readily available, standard product offerings.

ADVANCED Motion Controls also has the capability to promptly develop and deliver specified products for OEMs with volume requests. Our Applications and Engineering Departments will work closely with your design team through all stages of development in order to provide the best servo drive solution for your system. Equipped with on-site manufacturing for quick-turn customs capabilities, ADVANCED Motion Controls utilizes our years of engineering and manufacturing expertise to decrease your costs and time-to-market while increasing system quality and reliability.

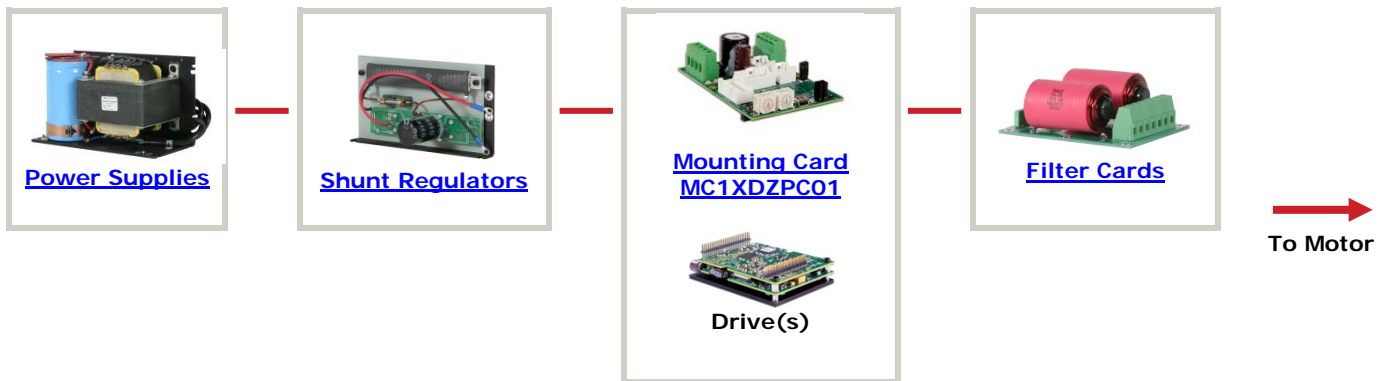
Examples of Customized Products

- ▲ Optimized Footprint
- ▲ Private Label Software
- ▲ OEM Specified Connectors
- ▲ No Outer Case
- ▲ Increased Current Resolution
- ▲ Increased Temperature Range
- ▲ Custom Control Interface
- ▲ Integrated System I/O
- ▲ Tailored Project File
- ▲ Silkscreen Branding
- ▲ Optimized Base Plate
- ▲ Increased Current Limits
- ▲ Increased Voltage Range
- ▲ Conformal Coating
- ▲ Multi-Axis Configurations
- ▲ Reduced Profile Size and Weight

Feel free to contact Applications Engineering for further information and details.

Available Accessories

ADVANCED Motion Controls offers a variety of accessories designed to facilitate drive integration into a servo system. Visit www.a-m-c.com to see which accessories will assist with your application design and implementation.



Sold & Serviced By:



All specifications in this document are subject to change without written notice. Actual product may differ from pictures provided in this document.