

Sold & Serviced By:



parvalux  
by maxon

Toll Free Phone (877) SERV098  
Toll Free Fax (877) SERV099  
[www.electromate.com](http://www.electromate.com)  
[sales@electromate.com](mailto:sales@electromate.com)

## Door automation solutions





# Door Automation

Parvalux provides an exciting range of motors for manufacturers of automatic door and gate opening systems. Our motors prove themselves daily in hundreds of premises, worldwide and offer the reliability, dependability and low running costs our customers have come to expect from a Parvalux British-designed and engineered unit. Whether your requirement is for automatic sliding doors, gate opening systems or electric garage doors, we can quickly customise our range to suit your specification or even develop a motor that's specific to your application.

**Light  
duty**

page 05 - 07

**Standard  
duty**

page 09 - 10

**Heavy  
duty**

page 11 - 12

# Parvalux

## About Us

A true British manufacturing success story, Parvalux is the UK's largest fractional horsepower electric motor manufacturer and supplier with state-of-the-art manufacturing and service facilities.

We have over 70 years' experience creating the perfect combination of motor and gearbox to match our customers' applications and we offer thousands of standard AC, DC brushed and DC brushless electric motor options. We can easily customise any motor or gearbox to meet your exact requirements and we can do this at no or minimal extra cost. Our design team can help you choose, customise or design from scratch, geared motor solutions, ensuring you gain a competitive advantage in your market.

Our products are found in hundreds of applications, globally but we are particularly strong in industrial automation, e-mobility, transportation, logistics and a wide range of medical equipment. Parvalux is proudly a maxon company, meaning that we have representation on every continent and the backing of one of the finest technical teams on the planet.

As well as a huge range of standard products we also offer semi-custom and fully-custom design options to ensure you have a geared motor solution that exactly meets the needs of your application.

To find out more about the Parvalux product range, please visit [www.parvalux.com](http://www.parvalux.com).



## maxon

# Precision Drive Systems

In 2018 Parvalux was acquired by Swiss motor manufacturer, maxon. Their brushless and brushed DC motors with ironless windings are among the best in the world; with flat motors with iron cores completing their modular product portfolio.

maxon's modular system includes planetary and spur gearheads, spindle drives, as well as encoders and control electronics.

# Door Automation Applications



## Building access

Whether it's sliding, spinning or just the standard hinge opening that you require, Parvalux has electric motor solutions to operate doors of all shapes and sizes.



## Rail access

Parvalux products are found in various applications throughout the rail industry; from the automated doors on the train itself, to platform equipment and ticket barriers throughout the station, our motors make sure your trip from A to B runs as smoothly as possible.



## Elevator/lift access

Parvalux appreciates that safety is a key factor in the automation of elevator doors, and it's the reliability of our motors that ensures that we get it right on so many levels.

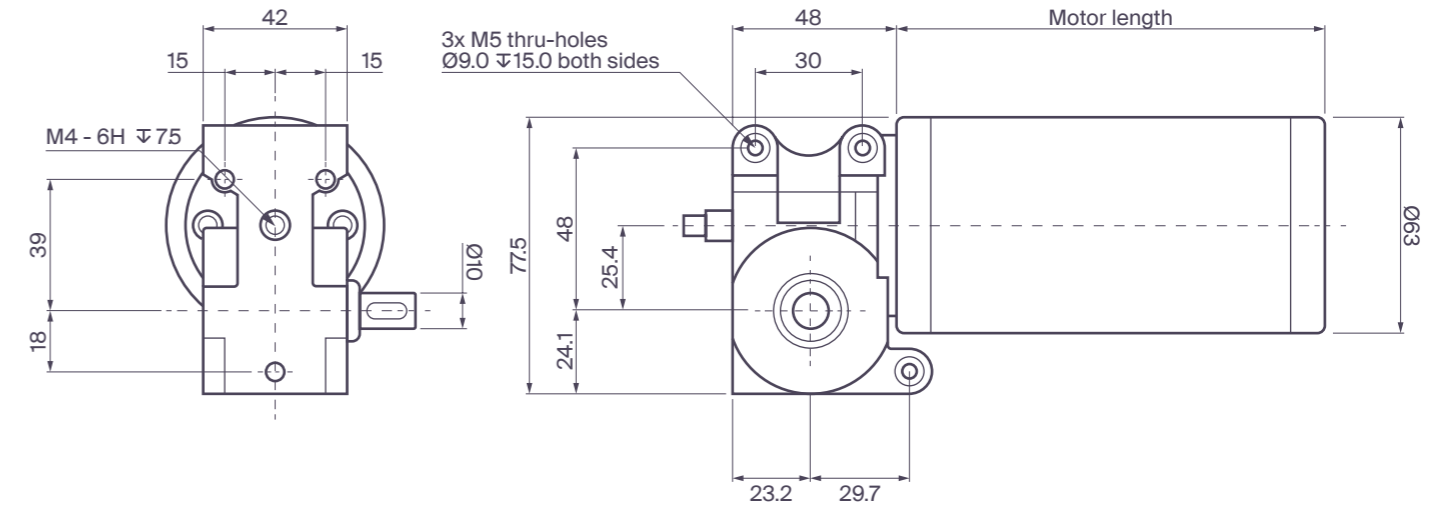


## Home access

We know security is of paramount importance in your home, and our ability to provide the reliable operation in a range of environmental conditions means Parvalux geared motors are perfectly suited for automatic gates and garage doors wherever you may live.

## BRx52-GB58 PMDC right-angle geared motor

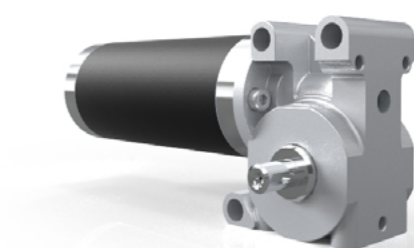
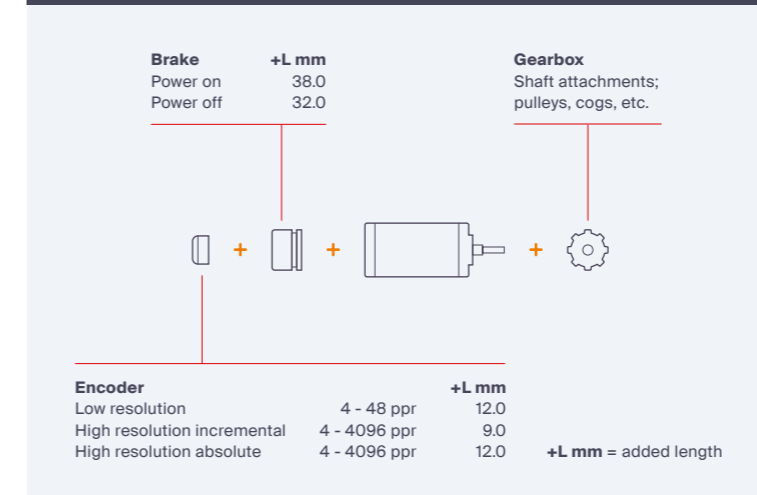
Light-duty door automation systems



### Technical data

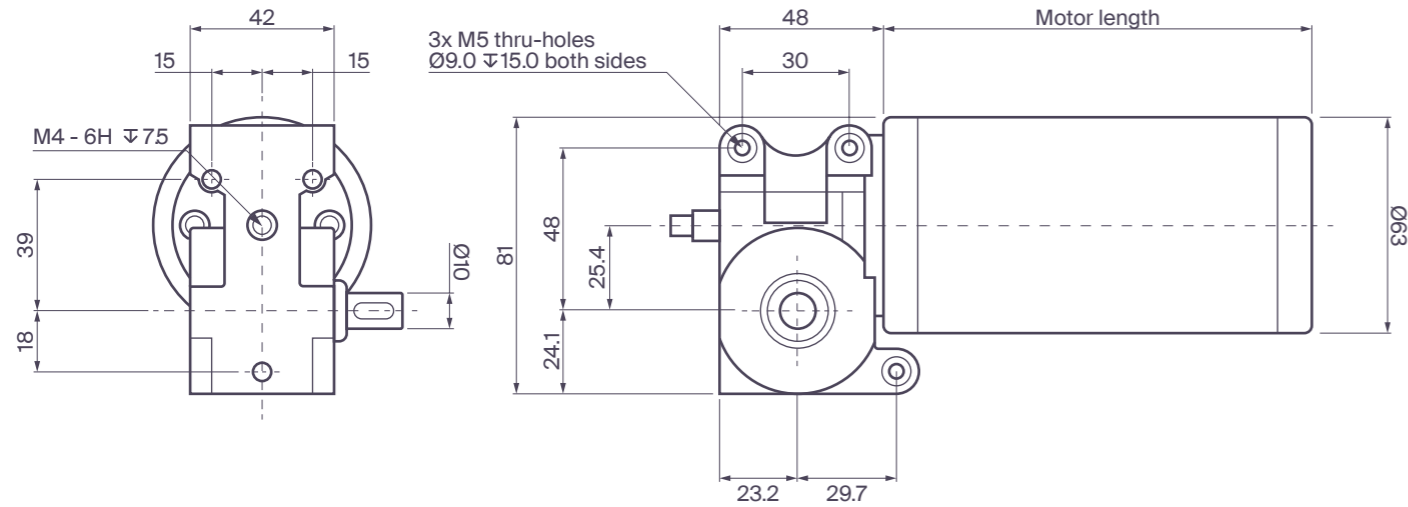
Motor		BRx52-95	BRx52-125
Voltage	<b>V</b>	12 - 48	12 - 48
Maximum power	<b>W</b>	43	65
Nominal speed	<b>rpm</b>	330	330
Nominal torque	<b>Nm</b>	1.0	1.5
Peak torque	<b>Nm</b>	3.0	4.0
Gearbox axial load	<b>N</b>	300	300
Gearbox radial load	<b>N</b>	400	400
Gearbox efficiency	<b>%</b>	80	80
Gearbox ratio	<b>:1</b>	10	10
Motor length	<b>mm</b>	95	125

### Accessories



## BRx63-GB58 PMDC right-angle geared motor

Light-duty door automation systems



### Technical data

Motor		BRx63-110	BRx63-125
Voltage	<b>V</b>	12 - 48	12 - 48
Maximum power	<b>W</b>	65	108
Nominal speed	<b>rpm</b>	330	330
Nominal torque	<b>Nm</b>	1.5	2.5
Peak torque	<b>Nm</b>	4.0	8.0
Gearbox axial load	<b>N</b>	300	300
Gearbox radial load	<b>N</b>	400	400
Gearbox efficiency	<b>%</b>	80	80
Gearbox ratio	<b>:1</b>	10	10
Motor length	<b>mm</b>	110	125

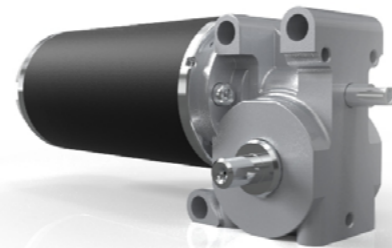
### Accessories

Brake	+L mm	Gearbox
Power on	38.0	Shaft attachments; pulleys, cogs, etc.
Power off	32.0	



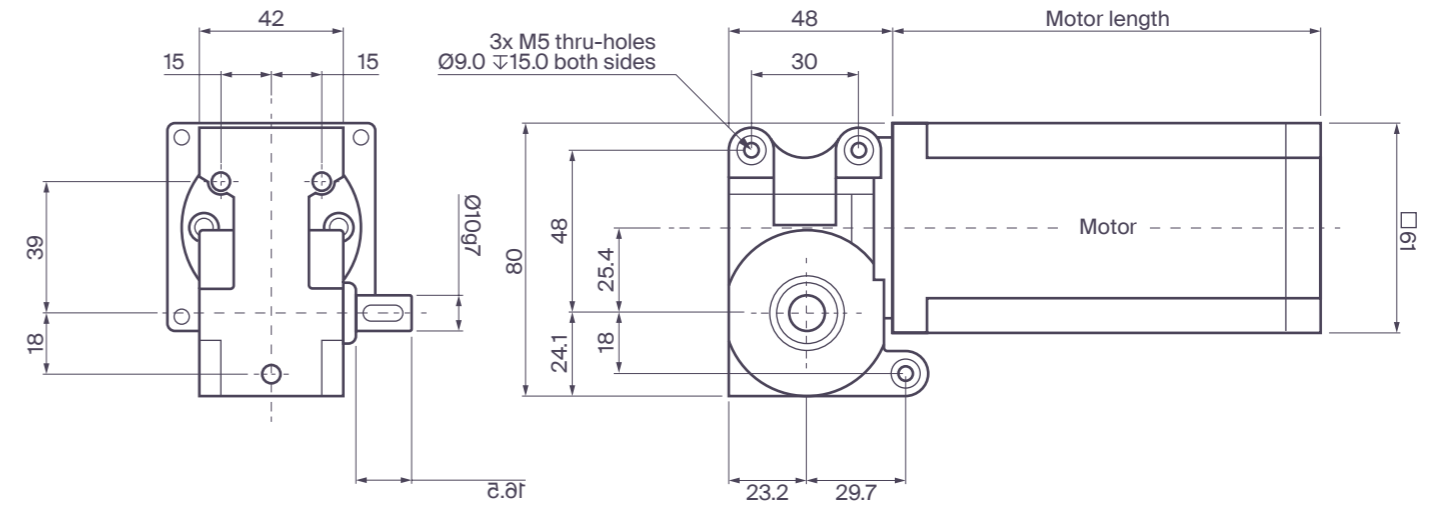
Encoder	+L mm
Low resolution	4 - 48 ppr 12.0
High resolution incremental	4 - 4096 ppr 9.0
High resolution absolute	4 - 4096 ppr 12.0

**+L mm = added length**



## BLx60-GB58 BLDC right-angle geared motor

Light-duty door automation systems



### Technical data

Motor		EC60-70	EC60-90
Voltage	<b>V</b>	24 - 48	24 - 48
Maximum power	<b>W</b>	52	121
Nominal speed	<b>rpm</b>	330	330
Nominal torque	<b>Nm</b>	1.2	2.8
Peak torque	<b>Nm</b>	3.5	8.0
Gearbox axial load	<b>N</b>	300	300
Gearbox radial load	<b>N</b>	400	400
Gearbox efficiency	<b>%</b>	80	80
Gearbox ratio	<b>:1</b>	10	10
Motor length	<b>mm</b>	70	90

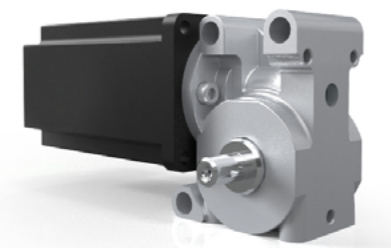
### Accessories

Brake	+L mm	Gearbox
Power on	38.0	Shaft attachments; pulleys, cogs, etc.
Power off	32.0	



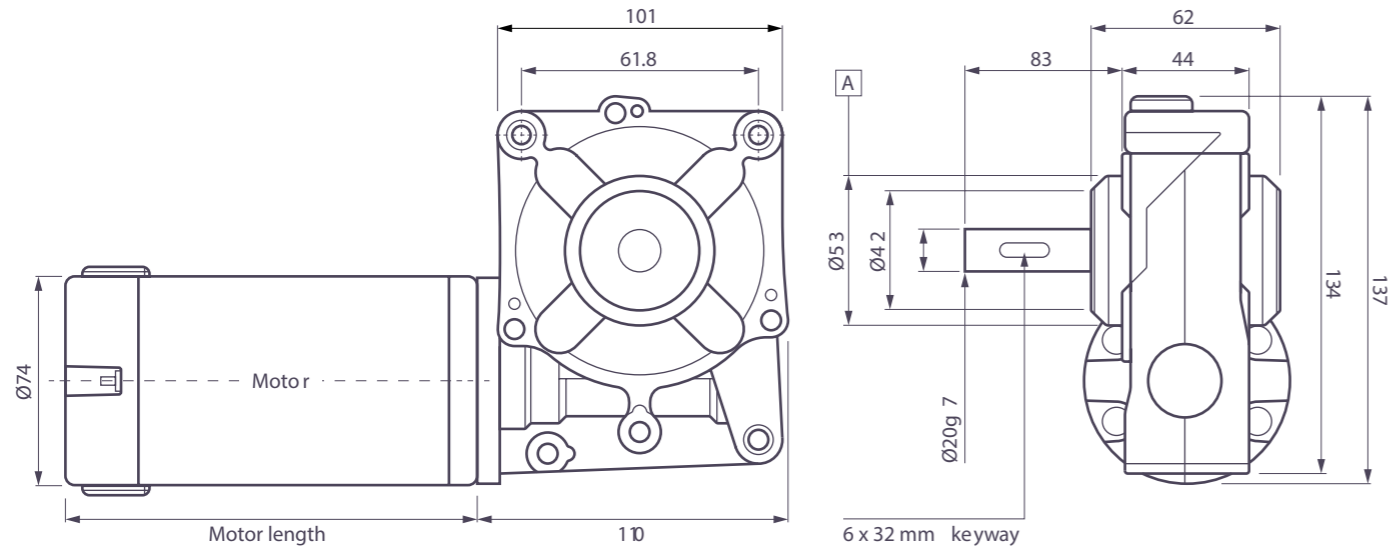
Encoder	+L mm
Low resolution	4 - 48 ppr 12.0
High resolution incremental	4 - 4096 ppr 9.0
High resolution absolute	4 - 4096 ppr 12.0

**+L mm = added length**



# PM70-GB12 PMDC right-angle geared motor

Standard-duty door automation systems



## Technical data

Motor		PM70-146
Voltage	<b>V</b>	12 - 48
Maximum power	<b>W</b>	220
Nominal speed	<b>rpm</b>	330
Nominal torque	<b>Nm</b>	5.0
Peak torque	<b>Nm</b>	22.0
Gearbox axial load	<b>N</b>	300
Gearbox radial load	<b>N</b>	500
Gearbox efficiency	<b>%</b>	90
Gearbox ratio	<b>:1</b>	12.5
Motor length	<b>mm</b>	146

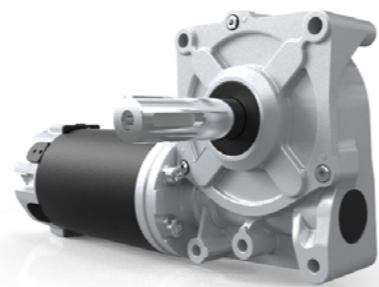
## Accessories

<b>Brake</b>	<b>+L mm</b>	<b>Gearbox</b>
Power on	38.0	Shaft attachments;
Power off	32.0	pulleys, cogs, etc.



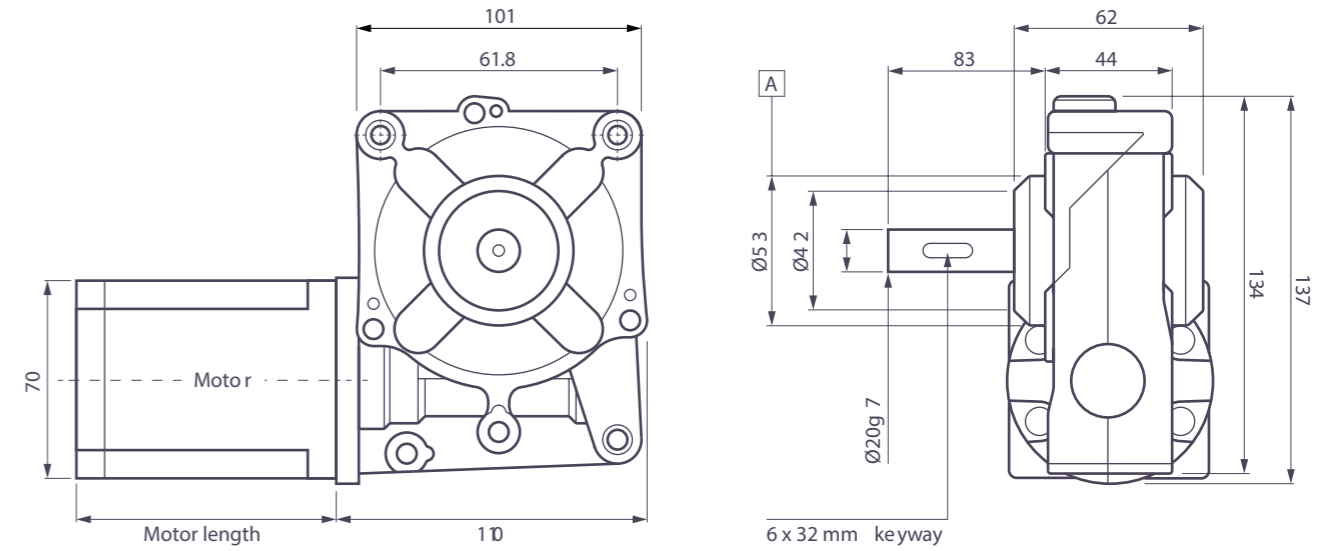
<b>Encoder</b>	<b>+L mm</b>
Low resolution	4 - 48 ppr 12.0
High resolution incremental	4 - 4096 ppr 9.0
High resolution absolute	4 - 4096 ppr 12.0

**+L mm = added length**



# BLx70-GB12 BLDC right-angle geared motor

Standard-duty door automation systems



## Technical data

Motor		EC70-92
Voltage	<b>V</b>	12 - 48
Maximum power	<b>W</b>	220
Nominal speed	<b>rpm</b>	330
Nominal torque	<b>Nm</b>	5.0
Peak torque	<b>Nm</b>	22.0
Gearbox axial load	<b>N</b>	300
Gearbox radial load	<b>N</b>	500
Gearbox efficiency	<b>%</b>	90
Gearbox ratio	<b>:1</b>	12.5
Motor length	<b>mm</b>	92

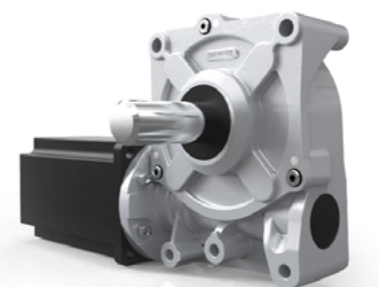
## Accessories

<b>Brake</b>	<b>+L mm</b>	<b>Gearbox</b>
Power on	38.0	Shaft attachments;
Power off	32.0	pulleys, cogs, etc.



<b>Encoder</b>	<b>+L mm</b>
Low resolution	4 - 48 ppr 12.0
High resolution incremental	4 - 4096 ppr 9.0
High resolution absolute	4 - 4096 ppr 12.0

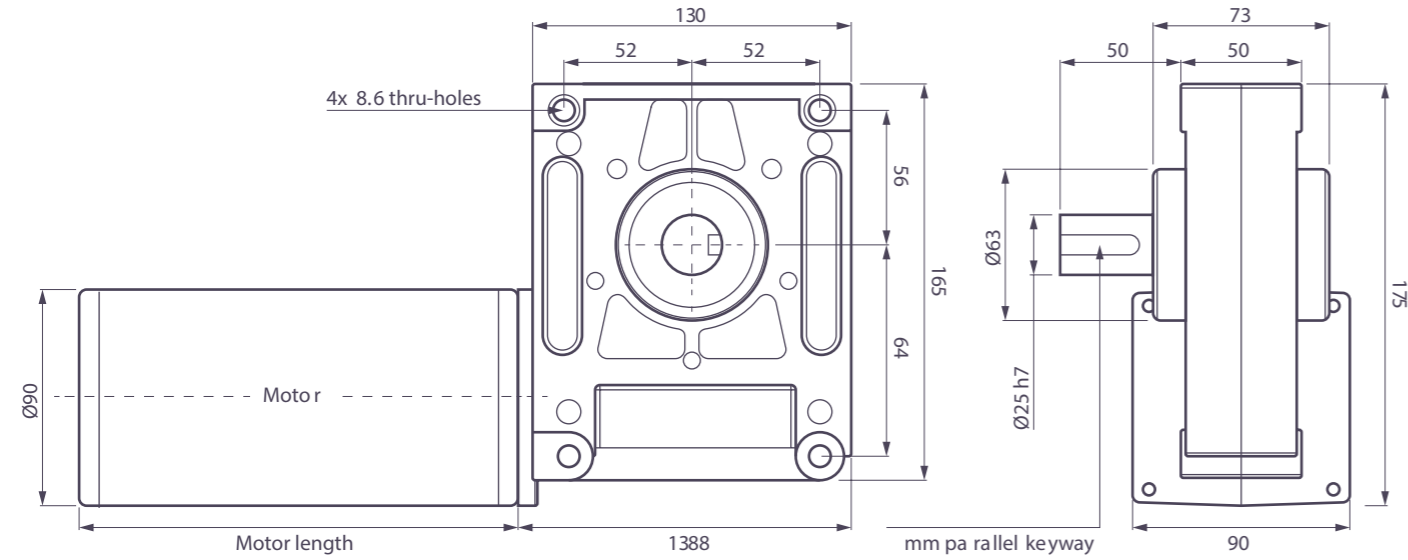
**+L mm = added length**



# PM90-GB9

PMDC right-angle geared motor

Heavy-duty door automation systems



## Technical data

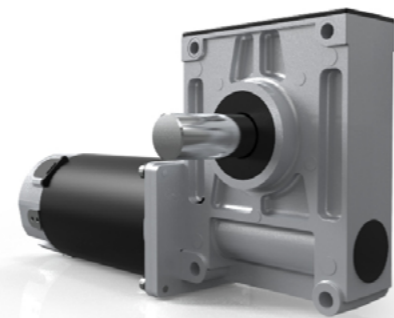
Motor		PM90-180
Voltage	<b>V</b>	12 - 48
Maximum power	<b>W</b>	380
Nominal speed	<b>rpm</b>	330
Nominal torque	<b>Nm</b>	9.0
Peak torque	<b>Nm</b>	40.0
Gearbox axial load	<b>N</b>	600
Gearbox radial load	<b>N</b>	800
Gearbox efficiency	<b>%</b>	90
Gearbox ratio	<b>:1</b>	12.75
Motor length	<b>mm</b>	180

## Accessories

<b>Brake</b>	<b>+L mm</b>	<b>Gearbox</b>
Power on	38.0	Shaft attachments; pulleys, cogs, etc.
Power off	32.0	

<b>Encoder</b>	<b>+L mm</b>
Low resolution	4 - 48 ppr 12.0
High resolution incremental	4 - 4096 ppr 9.0
High resolution absolute	4 - 4096 ppr 12.0

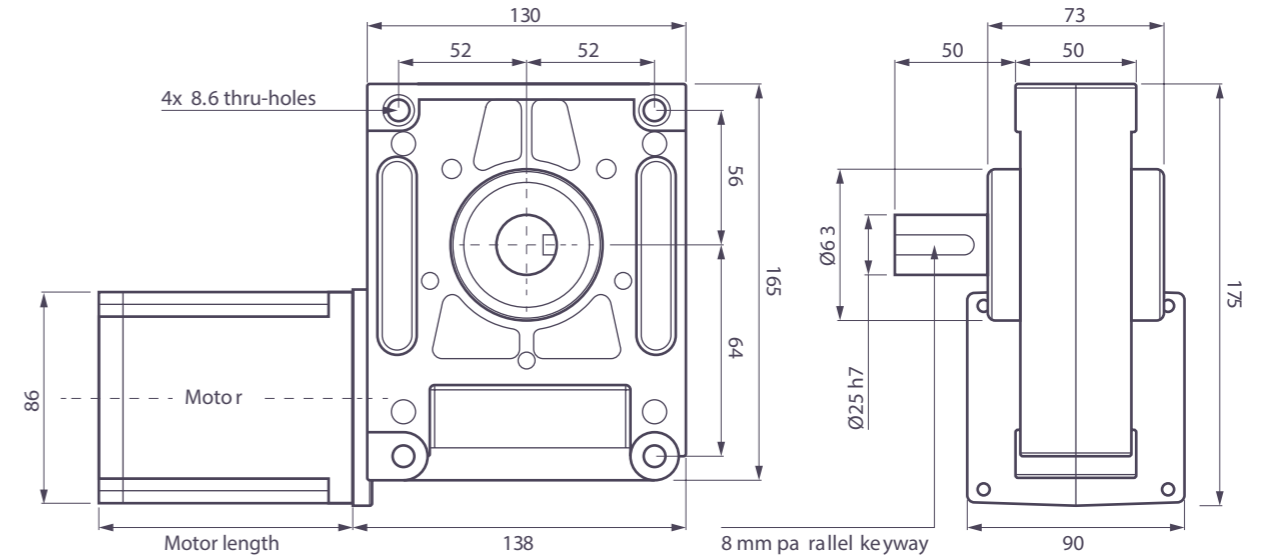
**+L mm = added length**



# BLx86-GB9

BLDC right-angle geared motor

Heavy-duty door automation systems



## Technical data

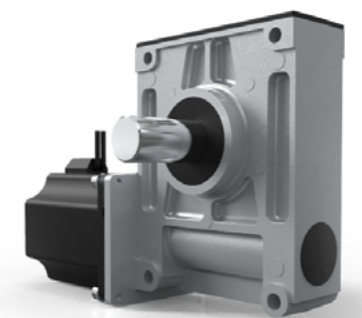
Motor		BLx86-105	BLx86-130
Voltage	<b>V</b>	12 - 48	12 - 48
Maximum power	<b>W</b>	380	380
Nominal speed	<b>rpm</b>	330	330
Nominal torque	<b>Nm</b>	9.0	13.0
Peak torque	<b>Nm</b>	40.0	40.0
Gearbox axial load	<b>N</b>	600	600
Gearbox radial load	<b>N</b>	800	800
Gearbox efficiency	<b>%</b>	90	90
Gearbox ratio	<b>:1</b>	12.75	12.75
Motor length	<b>mm</b>	105	130

## Accessories

<b>Brake</b>	<b>+L mm</b>	<b>Gearbox</b>
Power on	38.0	Shaft attachments; pulleys, cogs, etc.
Power off	32.0	

<b>Encoder</b>	<b>+L mm</b>
Low resolution	4 - 48 ppr 12.0
High resolution incremental	4 - 4096 ppr 9.0
High resolution absolute	4 - 4096 ppr 12.0

**+L mm = added length**




# Made in the UK...


# ...Available Worldwide


Parvalux products are used in a range of different industries all over the world, so it's important that we can support you wherever you may be.

Our global network ensures that we can answer your questions quickly and clearly, and, of course, get your order to you as soon as possible.


## America

 **USA (East Coast)**  
**maxon precision motors, inc.**  
125 Dever Drive, Taunton, MA 02780, USA  
sales.us@maxongroup.com // +1/508-916 6620

 **USA (West Coast)**  
**maxon precision motors, inc.**  
2860 Zanker Rd. Suite 107, San Jose, CA 95134, USA  
info.us@maxongroup.com // +1/650-524-8822

 **Mexico**  
**maxon mexico**  
Calzada Del Valle No. 225, Col. Del Valle, C.P. 66220 San Pedro Garza García, Nuevo León, Mexico  
ventas.mx@maxongroup.com // +52 81 2188 1940


 **Brazil**  
**Treffer Ltda.** (maxon sales agent)  
AV. Protásio de Oliveira Penna 366 / 101, Cep 30575-360 Bairro Buritis, Belo Horizonte - MG, Brazil  
motores@treffer.com.br // +55 31 3378 6222

 **Canada**  
**Electromate Inc.** (maxon sales agent)  
6221 Highway 7, Unit #15, Vaughan, Ontario L4H 0K8, Canada  
sales@electromate.com // +1/877 737 8698


## Europe / Middle-East / Africa


 **Austria, Hungary, Slovenia, Romania, Croatia, Serbia, and Bulgaria**  
**Kwapil & Co GmbH**  
Kammelweg 9, 1210 Wien, Austria  
verkauf@kwapil.com // +43/1 - 278 85 85


 **Czech Republic and Slovakia**  
**Kwapil & Co. Gesellschaft m.b.H**  
Hlavní 1054/131, 624 00 Brno, Czech Republic  
sales@kwapil.com // +420 541 211 538

 **Denmark**  
**DJ Stork Drives ApS**  
Naverland 2, 10., 2600 Glostrup, Denmark  
ulrik.eriksen@storkdrives.com // +45 8988 2416


 **Finland, Estonia, Latvia, and Lithuania**  
**DJ Stork Drives OY**  
Mököistenkatu 2, 241 00 Salo, Finland  
jyrki.leinonen@storkdrives.fi // +358 45 11 06 433

 **France**  
**maxon France**  
201 - 715 rue du Chat Botté, 01700 Beignost, France  
contact.fr@maxongroup.com // +33/472 - 018 300

 **Germany**  
**maxon motor gmbh**  
Truderinger Strasse 210, 81825 München, Germany  
sales.de@maxongroup.com // +49/89 - 42 04 93 - 0


 **Great Britain and Ireland**  
**maxon motor uk Ltd.**  
maxon House, Hogwood Lane, Finchampstead, Berkshire, RG40 4QW, UK  
sales.uk@maxongroup.com // +44 (0) 1189 733337

 **Israel**  
**maxon motor Israel Ltd.**  
Leshem Industrial Park 6, P.O. Box 3094, Caesarea 3079870, Israel  
sales.il@maxongroup.com // +972 74 749 0888

 **Italy**  
**maxon motor italia S.r.l.**  
Società Unipersonale, Via Sirtori 35, 20017 Rho MI, Italy  
sales.it@maxongroup.com // +39 02 93580588


## Europe / Middle-East / Africa

 **Netherlands, Belgium, and Luxembourg**  
**maxon motor benelux bv**  
Josink Kolkweg 38, 7545 PR Enschede, Netherlands  
sales.nl@maxongroup.com // +31 53 744 07 44

 **Norway**  
**DJ Stork Drives AS**  
Garverivegen 6, 2740 Roa, Norway  
arve.stensrud@storkdrives.com // +47/6199 3001

 **Poland**  
**maxon Polska sp. z o.o**  
Poznań Technology and Industry Park, 28 Czerwca 1956 r. 404, 61 - 441 Poznań, Poland  
sprzedaz@maxongroup.com // +48 618 800 830

 **Spain and Portugal**  
**maxon motor iberica**  
C/ Polo Norte N° 9, 28850 Torrejón de Ardoz, Spain  
info.es@maxongroup.com // +34 916 564 973

 **Sweden and Iceland**  
**Stork Drives AB**  
Box 1158, Solna Strandväg 116, 171 54 Solna, Sweden  
info@storkdrives.se // +46/8 - 635 60 00

 **Switzerland**  
**maxon Switzerland ag**  
Industriestrasse 23, 6055 Alpnach, Switzerland  
sales.ch@maxongroup.com // +41 (0) 41 662 95 95

 **South Africa**  
**DNH Technologies**  
P.O. Box 31151, 1684 Kyalami, South Africa  
info@dnhtrade.co.za // +27 11 468 2722


 **Turkey**  
**Ensatek Muhendisilik Otomsyon Sanayi Ticaret Limited Sirketi**  
Cevizli Mah. Mustafa Kemal Cad. No: 66/B, Kat: 13 D : 88 34865 Kartal/Istanbul, Turkey  
ensatek@ensatek.com.tr // +90 216 510 88 64

## Pacific

 **Australia and New Zealand**  
**maxon motor australia Pty Ltd**  
Unit 1, 12-14 Beaumont Road, Mount Kuring-Gai, NSW 2080, Australia  
sales.au@maxongroup.com // +61 2 9457 7477

## Asia

 **China**  
**maxon motor (Suzhou) Co., Ltd.**  
5F, Block 1 No. 1128, East Jiangxing Road, Wujiang Economic Developing Zone, 215200 Suzhou, Jiangsu Province, China  
sales.cn@maxongroup.com // +86/512-8207 9287

 **India**  
**maxon precision motor India Pvt. Ltd.**  
Niran Arcade, No. 563/564, New BEL Road, RMV 2nd Stage, Bangalore - 560 094, India  
sales.in@maxongroup.com // +91 80417 34132


 **Japan**  
**maxon Japan**  
5-1-15 Shinjuku, Shinjuku-Ku, Tokyo 160-0022, Japan  
sales.jp@maxongroup.com // +81/3 - 3350 42 61

 **South Korea**  
**maxon motor Korea Co., Ltd.**  
27, Banpo-daero 14-gil, Seocho-Gu, Seoul, South Korea 06652  
info.kr@maxongroup.com // +82 2 3486 3441

 **Singapore**  
**maxon motor SEA Pte. Ltd.**  
33 UBI Avenue 3 #08-40, Singapore 408868  
admin.sg@maxongroup.com // +65/6950 4628

 **Taiwan**  
**maxon motor Taiwan Co. Ltd.**  
6F.-7 No. 16, Lane 609, Sec. 5, Chongxin Rd., Sanchong Dist., New Taipei City 241, Taiwan (R.O.C.)  
sales.tw@maxongroup.com // +886-2-2999-3558

 **Hong Kong**  
**Servo Dynamics (H.K) Ltd.**  
Rm. 1504, 15/F, Yuen Long Trading Centre, 33 Wang Yip Street West, Yuen Long, N.T., Hong Kong  
sales.servodynamics.com.hk // +852/2409 9986

 **Malaysia**  
**Servo Engineering Sdn. Bhd.**  
No. 15 G, Ground Floor, Highway Center, Jalan 51/205, 46050 Petaling Jaya, Selangor Darul Ehsan, Malaysia  
sales-rfq@servo.my // +603-7782 3540

 **Thailand**  
**Servo Dynamics (Thailand) Co. LTD**  
52/210 Moo 2, Soi Wadnamdaeng, Srinakarini Rd. 10540 Bangkaew Bangplee Samutprakarn, Thailand  
dmk@servoline.com // +66 2 753 56 25



**parvalux**  
by **maxon**

Sold & Serviced By:

 **ELECTROMATE**

Toll Free Phone (877) SERV098

Toll Free Fax (877) SERV099

[www.electromate.com](http://www.electromate.com)

[sales@electromate.com](mailto:sales@electromate.com)