

Sold & Serviced By:

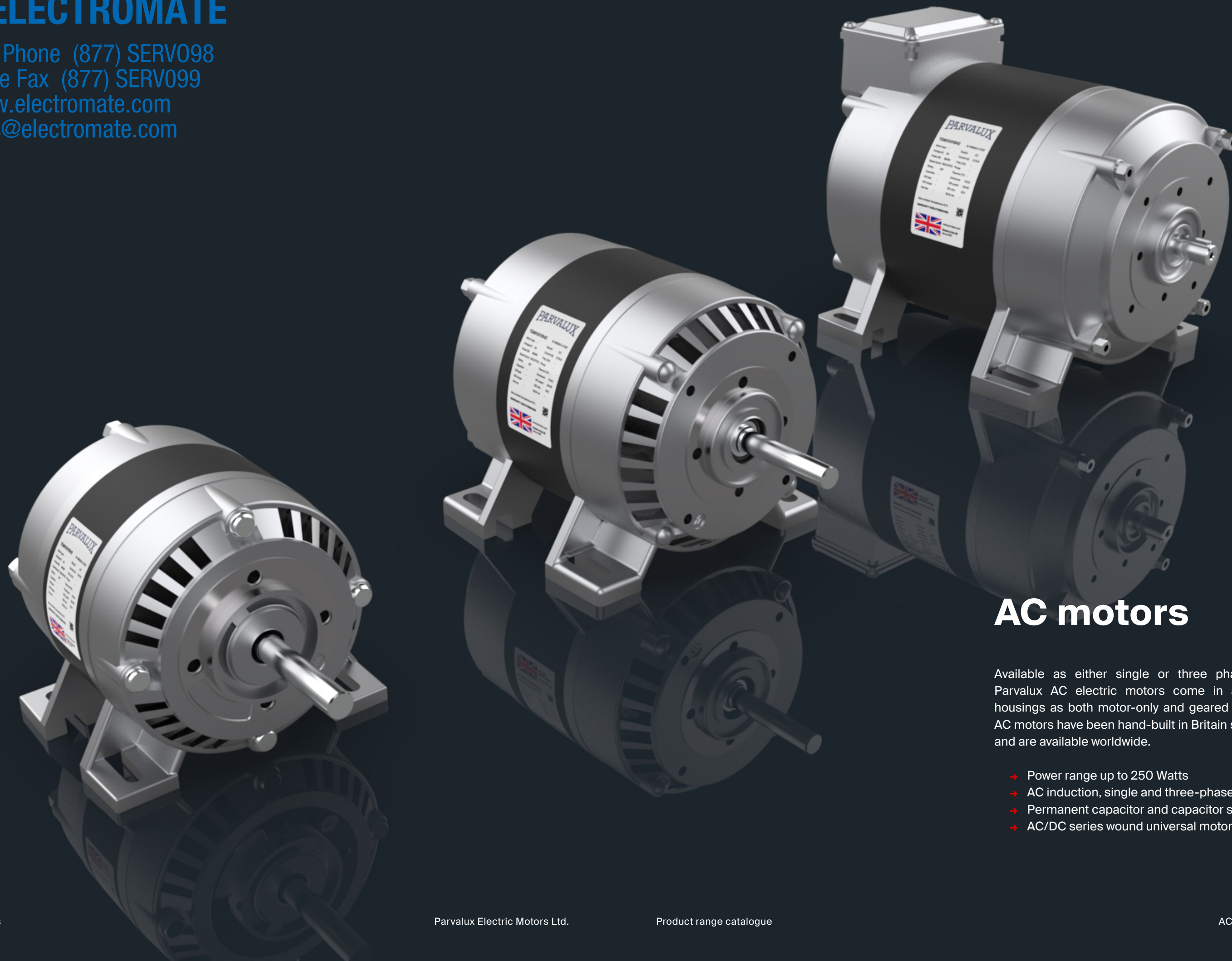


Toll Free Phone (877) SERV098

Toll Free Fax (877) SERV099

www.electromate.com

sales@electromate.com



AC motors

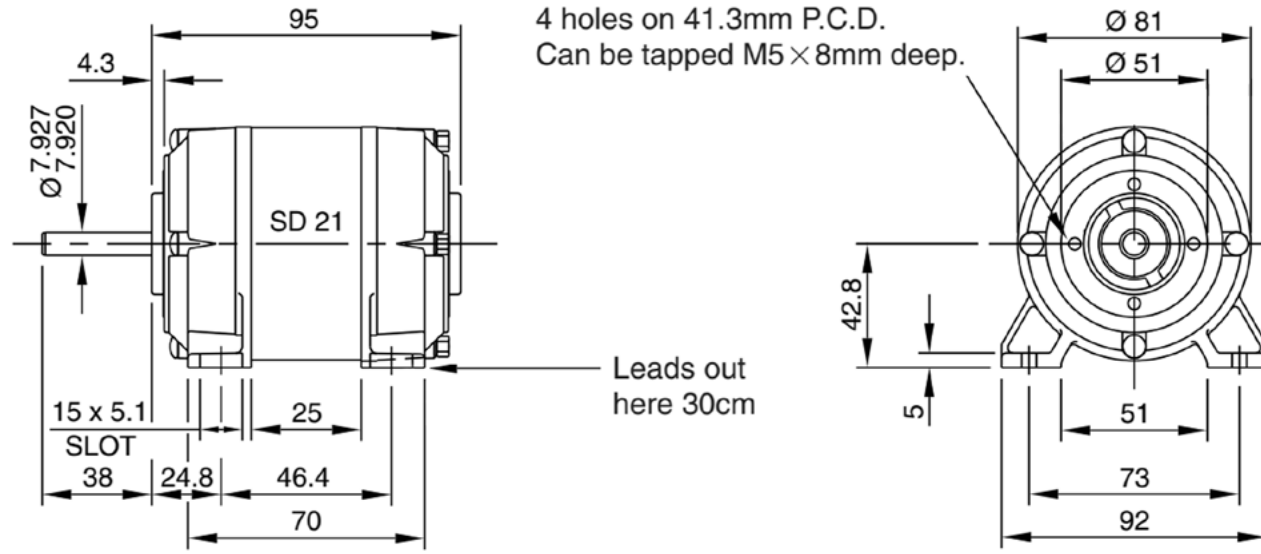
Available as either single or three phase units, Parvalux AC electric motors come in aluminium housings as both motor-only and geared units. Our AC motors have been hand-built in Britain since 1947 and are available worldwide.

- Power range up to 250 Watts
- AC induction, single and three-phase
- Permanent capacitor and capacitor start/run
- AC/DC series wound universal motors

SD21 AC motor

Ø81 mm frame // 25 mm stack

all dimensions in mm



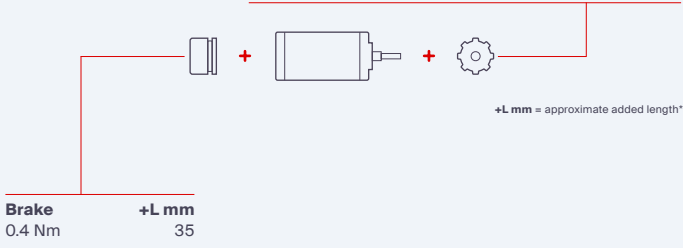
4 holes on 41.3mm P.C.D.
Can be tapped M5 × 8mm deep.

Leads out here 30cm

Part number key		Available on request: custom shaft length and diameter, shaft on both sides, special windings for specific voltages and speed, higher IP protection class, custom flanges and connectors			
Modular	#####	Note: Brakes are not available on TEFC (Totally Enclosed Fan Cooled) motors.			
Standard	#####	All products are built in accordance to performance tolerances from EN60034-1:2010. As continuous improvement, Parvalux periodically test their product range to ensure test results are as accurate as possible and are therefore subject to change. Please ensure you are using the latest datasheets found on our website			
Calculated data	#####				
Technical data					
1 Part number	-	-	-	-	-
2 Phases	1	1	1	1	1
3 Frequency	Hz	50	50	60	60
4 Nominal voltage	V AC	230	230	115	230
5 Nominal power	W	8	20	8	20
6 Nominal speed	rpm	1400	2800	1700	3400
7 Nominal continuous torque (S1)	Nm	0.06	0.07	0.05	0.06
8 Nominal continuous current (S1)	A	0.18	0.34	0.42	0.60
9 Starting Current	A	0.45	0.85	1.05	1.50
10 Input Watts	W	40	80	40	80
11 Capacitor Value	M.F.D	2.5	2.0	2.0	2.0
12 Starting Torque Full Load	%	100	85	100	85
13 Stack length	mm	25	25	25	25
14 Number of poles		4	2	4	2
15 Rotor inertia	Kg/cm ²	-	-	-	-

Thermal data		Modular system	
16 Ambient temperature	°C	40	
Mechanical data			
17 Radial load [distance from flange]	N [mm]	110 [15]	
Other data			
18 Weight	Kg	1.5	
19 Enclosure		VENT/TE	
20 IP Rating - Ventilated		IP20	
21 IP Rating - TE/TEFC		IP54	
22 Insulation Class		F	
23 Type		Permanent capacitor, asynchronous	
24 Direction		Bi-directional	

Gearbox	+L mm	Gearbox	+L mm
S	59	SWS	110
GB36	166	PGH52	53 - 100
GB56	103	PGS62	44 - 90
SIW	82	SS	81
SIS	72		

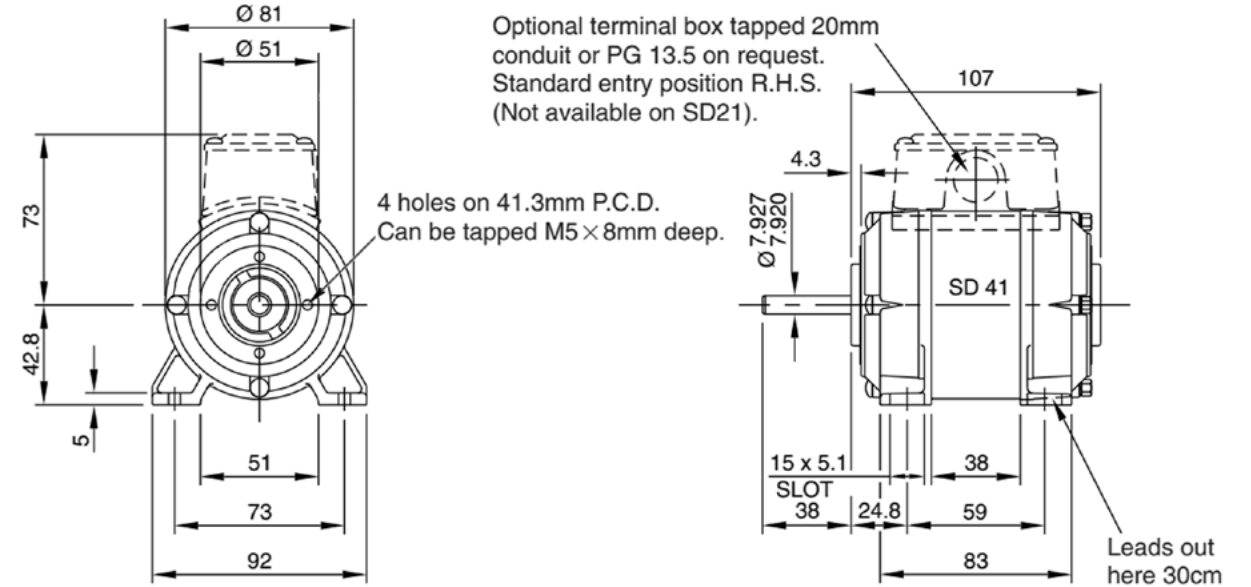


*additional length may also be required for mounting flange between components

SD41 AC motor

Ø81 mm frame // 38 mm stack

all dimensions in mm



4 holes on 41.3mm P.C.D.
Can be tapped M5 × 8mm deep.

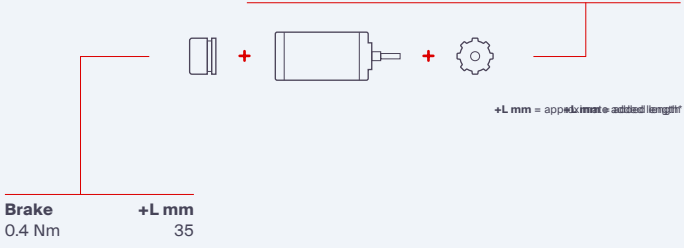
Optional terminal box tapped 20mm conduit or PG 13.5 on request. Standard entry position R.H.S. (Not available on SD21).

Leads out here 30cm

Part number key		Available on request: custom shaft length and diameter, shaft on both sides, special windings for specific voltages and speed, higher IP protection class, custom flanges and connectors							
Modular	#####	Note: Brakes are not available on TEFC (Totally Enclosed Fan Cooled) motors.							
Standard	#####	All products are built in accordance to performance tolerances from EN60034-1:2010. As continuous improvement, Parvalux periodically test their product range to ensure test results are as accurate as possible and are therefore subject to change. Please ensure you are using the latest datasheets found on our website							
Calculated data	#####								
Technical data									
1 Part number	-	-	-	-	-	-	-	-	-
2 Phases	1	1	1	1	3	3	3	3	3
3 Frequency	Hz	50	50	60	60	50	50	60	60
4 Nominal voltage	V AC	230	230	115	115	400	400	230	230
5 Nominal power	W	10	25	10	25	10	25	10	25
6 Nominal speed	rpm	1400	2800	1700	3400	1400	2800	1700	3400
7 Nominal continuous torque (S1)	Nm	0.07	0.09	0.06	0.07	0.09	0.10	0.07	0.08
8 Nominal continuous current (S1)	A	0.20	0.25	0.60	0.70	0.14	0.14	-	-
9 Starting Current	A	0.50	0.63	1.50	1.75	0.35	0.35	0	0
10 Input Watts	W	40	65	-	-	47	58	-	-
11 Capacitor Value	M.F.D	3	2.5	10	8.4	-	-	-	-
12 Starting Torque Full Load	%	100	100	100	100	150	150	150	150
13 Stack length	mm	38	38	38	38	38	38	38	38
14 Number of poles		4	2	4	2	4	2	4	2
15 Rotor inertia	Kg/cm ²	-	-	-	-	-	-	-	-

Thermal data		Modular system	
16 Ambient temperature	°C	40	
Mechanical data			
17 Radial load [distance from flange]	N [mm]	110 [15]	
Other data			
18 Weight	Kg	2.1	
19 Enclosure		VENT/TE	
20 IP Rating - Ventilated		IP20	
21 IP Rating - TE/TEFC		IP54	
22 Insulation Class		F	
23 Type		Permanent capacitor, asynchronous	
24 Direction		Bi-directional	

Gearbox	+L mm	Gearbox	+L mm
S	59	SWS	110
GB36	166	PGH52	53 - 100
GB56	103	PGS62	44 - 90
SIW	82	SS	81
SIS	72		

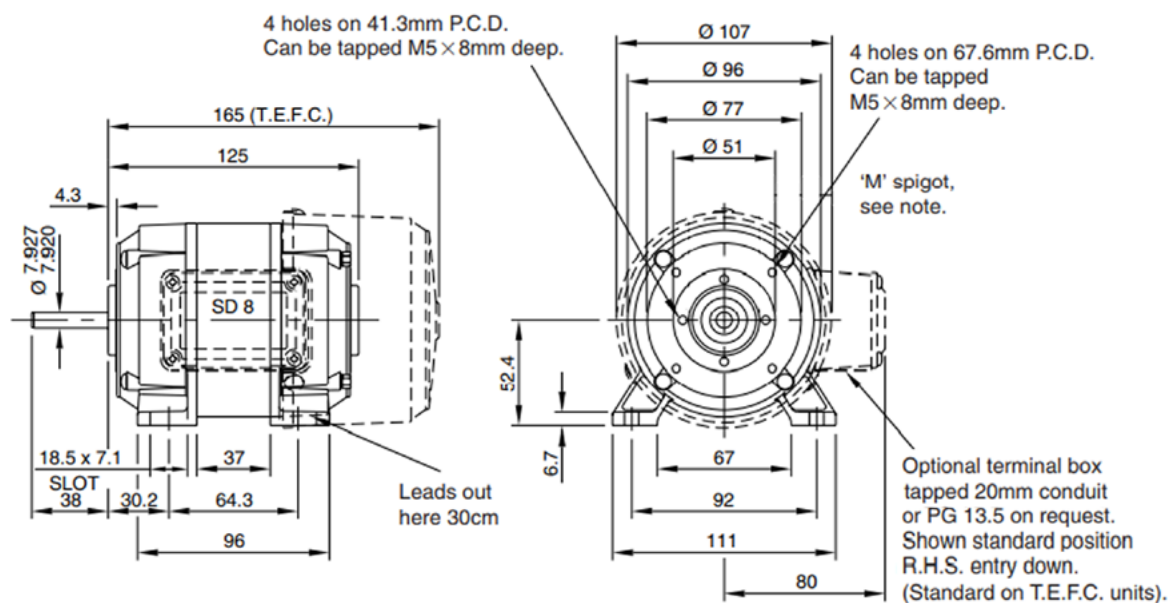


*additional length may also be required for mounting flange between components

SD8 AC motor

Ø96 mm frame // 37 mm stack

all dimensions in mm



Part number key		Available on request: 2 speed motor type, custom shaft length and diameter, shaft on both sides, special windings for specific voltages and speed, higher IP protection class, custom flanges and connectors. Additional motor output speeds available (900 & 1200 rpm), please contact sales for further details.							
Modular	#####	Note: Brakes are not available on TEFC (Totally Enclosed Fan Cooled) motors.							
Standard	#####	All products are built in accordance to performance tolerances from EN60034-1:2010. As continuous improvement, Parvalux periodically test their product range to ensure test results are as accurate as possible and are therefore subject to change. Please ensure you are using the latest datasheets found on our website							
Calculated data	#####								

Technical data									
1 Part number	-	-	-	-	-	-	-	-	-
2 Phases	1	1	1	1	3	3	3	3	3
3 Frequency	Hz	50	50	60	60	50	50	60	60
4 Nominal voltage	V AC	230	230	115	115	400	400	230	230
5 Nominal power	W	35	60	35	60	35	60	35	60
6 Nominal speed	rpm	1400	2800	1700	3400	1400	2800	1700	3400
7 Nominal continuous torque (S1)	Nm	0.24	0.20	0.20	0.17	0.24	0.20	0.20	0.17
8 Nominal continuous current (S1)	A	0.3	0.57	-	-	0.24	0.24	-	-
9 Starting Current	A	0.75	1.42	0	0	0.60	0.60	0	0
10 Input Watts	W	75	127	75	127	80	105	80	105
11 Capacitor Value	M.F.D	2.5	4.0	2.5	4.0	-	-	-	-
12 Starting Torque Full Load	%	85	75	85	75	200	200	200	200
13 Stack length	mm	37	37	37	37	37	37	37	37
14 Number of poles		4	2	4	2	4	2	4	2
15 Rotor inertia	Kg/cm ²	-	-	-	-	-	-	-	-

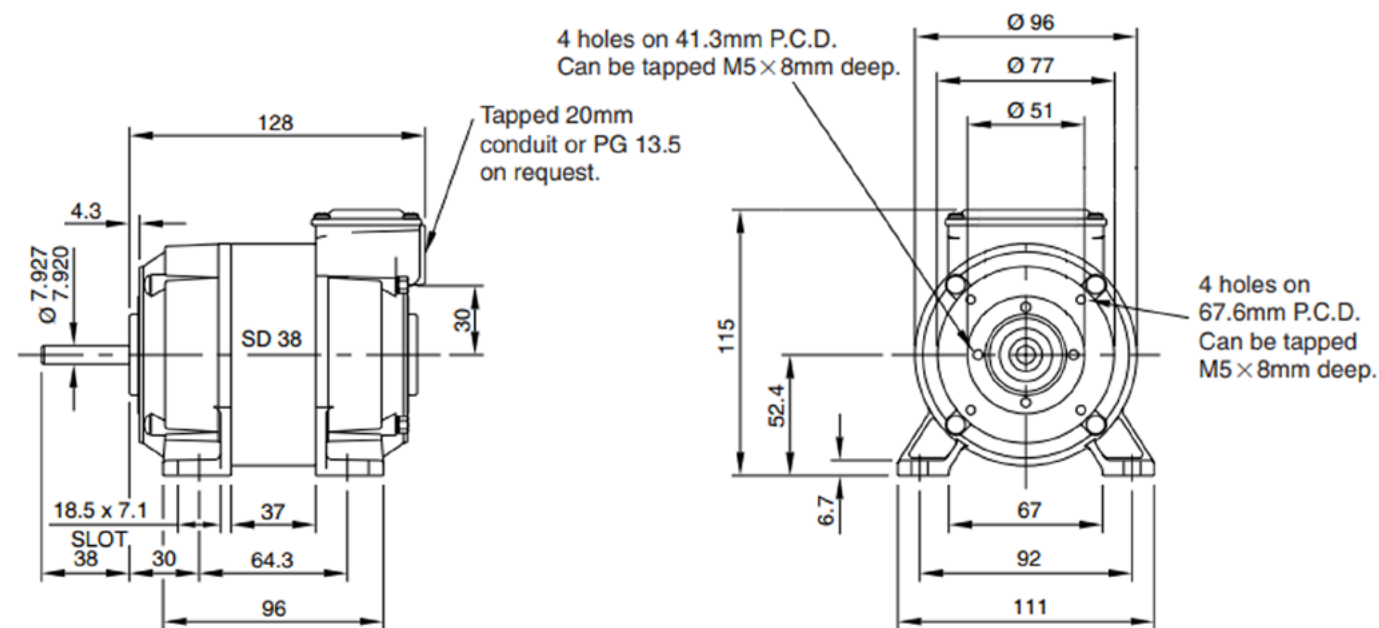
Thermal data		Modular system																																									
16 Ambient temperature	°C	40																																									
Mechanical data																																											
17 Radial load [distance from flange]	N [mm]	150 [15]																																									
Other data																																											
18 Weight	Kg	2.8																																									
19 Enclosure		VENT/TE																																									
20 IP Rating - Ventilated		IP20																																									
21 IP Rating - TE/TEFC		IP54																																									
22 Insulation Class		F																																									
23 Type		Permanent capacitor, asynchronous																																									
24 Direction		Bi-directional																																									
		<table border="1"> <thead> <tr> <th>Gearbox</th> <th>+L mm</th> <th>Gearbox</th> <th>+L mm</th> <th>Gearbox</th> <th>+L mm</th> </tr> </thead> <tbody> <tr> <td>S</td> <td>59</td> <td>GB36</td> <td>166</td> <td>LWS</td> <td>127</td> </tr> <tr> <td>M</td> <td>85</td> <td>MIW</td> <td>83</td> <td>LIS</td> <td>108</td> </tr> <tr> <td>GB28</td> <td>85</td> <td>MWS</td> <td>110</td> <td>PGS62</td> <td>44 - 90</td> </tr> <tr> <td>GB4/41</td> <td>110</td> <td>MIS</td> <td>95</td> <td>PGS71</td> <td>49 - 99</td> </tr> <tr> <td>GB12</td> <td>110</td> <td>LIW</td> <td>102</td> <td></td> <td></td> </tr> </tbody> </table>		Gearbox	+L mm	Gearbox	+L mm	Gearbox	+L mm	S	59	GB36	166	LWS	127	M	85	MIW	83	LIS	108	GB28	85	MWS	110	PGS62	44 - 90	GB4/41	110	MIS	95	PGS71	49 - 99	GB12	110	LIW	102						
Gearbox	+L mm	Gearbox	+L mm	Gearbox	+L mm																																						
S	59	GB36	166	LWS	127																																						
M	85	MIW	83	LIS	108																																						
GB28	85	MWS	110	PGS62	44 - 90																																						
GB4/41	110	MIS	95	PGS71	49 - 99																																						
GB12	110	LIW	102																																								
		<table border="1"> <thead> <tr> <th>Brake</th> <th>+L mm</th> </tr> </thead> <tbody> <tr> <td>0.4 Nm</td> <td>35</td> </tr> </tbody> </table>		Brake	+L mm	0.4 Nm	35																																				
Brake	+L mm																																										
0.4 Nm	35																																										

*additional length may also be required for mounting flange between components

SD38 AC motor

Ø96 mm frame // 37 mm stack

all dimensions in mm



Part number key		Available on request: 2 speed and synchronous, custom shaft length and diameter, shaft on both sides, special windings for specific voltages and speed, higher IP protection class, custom flanges and connectors. Additional motor output speeds available (900 & 1200 rpm), please contact sales for further details.							
Modular	#####	Note: Brakes are not available on TEFC (Totally Enclosed Fan Cooled) motors.							
Standard	#####	All products are built in accordance to performance tolerances from EN60034-1:2010. As continuous improvement, Parvalux periodically test their product range to ensure test results are as accurate as possible and are therefore subject to change. Please ensure you are using the latest datasheets found on our website							
Calculated data	#####								

Technical data									
1 Part number	-	-	-	-	-	-	-	-	-
2 Phases	1	1	1	1	3	3	3	3	3
3 Frequency	Hz	50	50	60	60	50	50	60	60
4 Nominal voltage	V AC	230	230	115	115	400	400	230	230
5 Nominal power	W	35	60	35	60	35	60	35	60
6 Nominal speed	rpm	1400	2800	1700	3400	1400	2800	1700	3400
7 Nominal continuous torque (S1)	Nm	0.24	0.20	0.20	0.17	0.24	0.20	0.20	0.17
8 Nominal continuous current (S1)	A	0.30	0.57	-	-	0.24	0.24	-	-
9 Starting Current	A	0.75	1.43	0	0	0.60	0.60	0	0
10 Input Watts	W	75	127	75	127	80	105	80	105
11 Capacitor Value	M.F.D	2.5	4.0	2.5	4.0	-	-	-	-
12 Starting Torque Full Load	%	85	75	85	75	200	200	200	200
13 Stack length	mm	37	37	37	37	37	37	37	37
14 Number of poles		4	2	4	2	4	2	4	2
15 Rotor inertia	Kg/cm ²	-	-	-	-	-	-	-	-

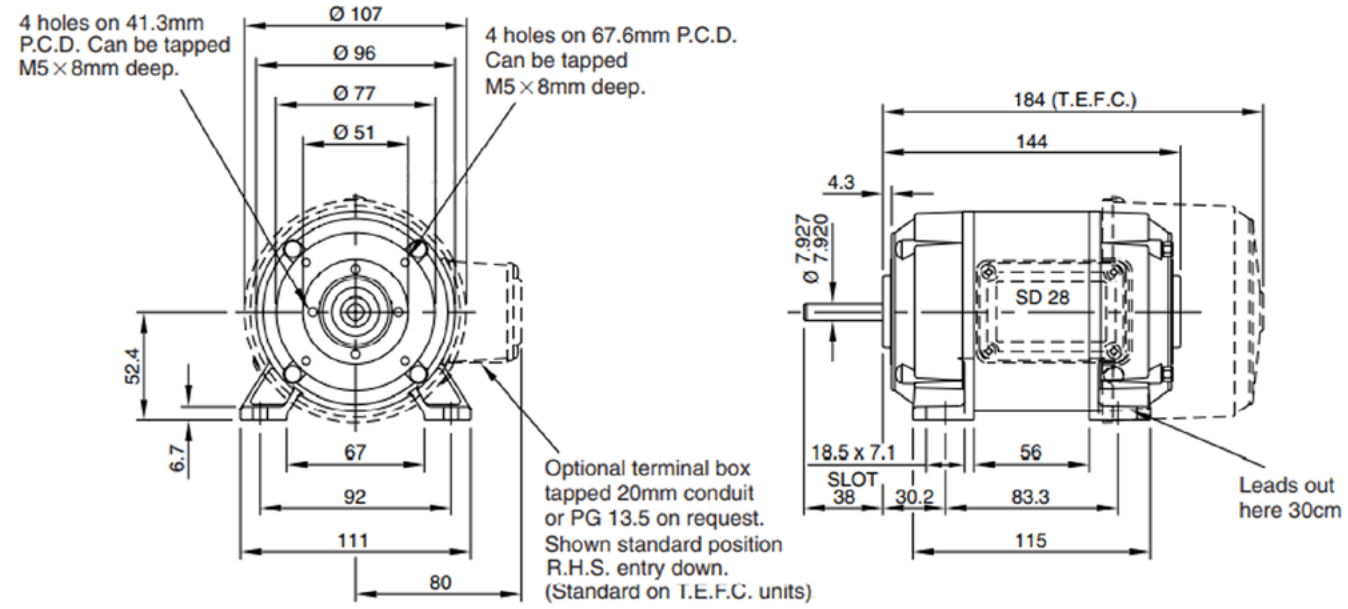
Thermal data		Modular system																																									
16 Ambient temperature	°C	40																																									
Mechanical data																																											
17 Radial load [distance from flange]	N [mm]	150 [15]																																									
Other data																																											
18 Weight	Kg	2.9																																									
19 Enclosure		VENT/TEFC																																									
20 IP Rating - Ventilated		IP20																																									
21 IP Rating - TE/TEFC		IP54																																									
22 Insulation Class		F																																									
23 Type		Permanent capacitor, asynchronous																																									
24 Direction		Bi-directional																																									
		<table border="1"> <thead> <tr> <th>Gearbox</th> <th>+L mm</th> <th>Gearbox</th> <th>+L mm</th> <th>Gearbox</th> <th>+L mm</th> </tr> </thead> <tbody> <tr> <td>S</td> <td>59</td> <td>GB36</td> <td>166</td> <td>LWS</td> <td>127</td> </tr> <tr> <td>M</td> <td>85</td> <td>MIW</td> <td>83</td> <td>LIS</td> <td>108</td> </tr> <tr> <td>GB28</td> <td>85</td> <td>MWS</td> <td>110</td> <td>PGS62</td> <td>44 - 90</td> </tr> <tr> <td>GB4/41</td> <td>110</td> <td>MIS</td> <td>95</td> <td>PGS71</td> <td>49 - 99</td> </tr> <tr> <td>GB12</td> <td>110</td> <td>LIW</td> <td>102</td> <td></td> <td></td> </tr> </tbody> </table>		Gearbox	+L mm	Gearbox	+L mm	Gearbox	+L mm	S	59	GB36	166	LWS	127	M	85	MIW	83	LIS	108	GB28	85	MWS	110	PGS62	44 - 90	GB4/41	110	MIS	95	PGS71	49 - 99	GB12	110	LIW	102						
Gearbox	+L mm	Gearbox	+L mm	Gearbox	+L mm																																						
S	59	GB36	166	LWS	127																																						
M	85	MIW	83	LIS	108																																						
GB28	85	MWS	110	PGS62	44 - 90																																						
GB4/41	110	MIS	95	PGS71	49 - 99																																						
GB12	110	LIW	102																																								
		<table border="1"> <thead> <tr> <th>Brake</th> <th>+L mm</th> </tr> </thead> <tbody> <tr> <td>0.4 Nm</td> <td>35</td> </tr> </tbody> </table>		Brake	+L mm	0.4 Nm	35																																				
Brake	+L mm																																										
0.4 Nm	35																																										

*additional length may also be required for mounting flange between components

SD28 AC motor

Ø96 mm frame // 56 mm stack

all dimensions in mm



Part number key		Available on request: custom shaft length and diameter, shaft on both sides, special windings for specific voltages and speed, higher IP protection class, custom flanges and connectors.							
Modular	#####	Note: Brakes are not available on TEFC (Totally Enclosed Fan Cooled) motors.							
Standard	#####	All products are built in accordance to performance tolerances from EN60034-1:2010. As continuous improvement, Parvalux periodically test their product range to ensure test results are as accurate as possible and are therefore subject to change. Please ensure you are using the latest datasheets found on our website							
Calculated data	#####								

Technical data									
1 Part number		-	-	-	-	-	-	-	-
2 Phases		1	1	1	1	3	3	3	3
3 Frequency	Hz	50	50	60	60	50	50	60	60
4 Nominal voltage	V AC	230	230	115	115	400	400	230	230
5 Nominal power	W	55	100	55	100	55	120	55	120
6 Nominal speed	rpm	1400	2800	1700	3400	1400	2800	1700	3400
7 Nominal continuous torque (S1)	Nm	0.38	0.34	0.31	0.28	0.38	0.41	0.38	0.41
8 Nominal continuous current (S1)	A	0.41	0.76	-	-	0.28	0.36	-	-
9 Starting Current	A	1.03	1.90	0	0	0.70	0.90	0	0
10 Input Watts	W	100	185	100	185	100	185	100	185
11 Capacitor Value	M.F.D	3.0	6.0	3.0	6.0	-	-	-	-
12 Starting Torque Full Load	%	85	85	85	85	150	150	150	150
13 Stack length	mm	56	56	56	56	56	56	56	56
14 Number of poles		4	2	4	2	4	2	4	2
15 Rotor inertia	Kg/cm ²	-	-	-	-	-	-	-	-

Thermal data		Modular system	
16 Ambient temperature	°C	40	
Mechanical data		Gearbox	
17 Radial load [distance from flange]	N [mm]	150 [15]	
Other data		Gearbox	
18 Weight	Kg	3.6	
19 Enclosure	VENT/TEFC		
20 IP Rating - Ventilated	IP20		
21 IP Rating - TE/TEFC	IP54		
22 Insulation Class	F		
23 Type	Permanent capacitor, asynchronous		
24 Direction	Bi-directional		

Gearbox	+L mm	Gearbox	+L mm	Gearbox	+L mm
S	59	GB36	166	LWS	127
M	85	MIW	83	LIS	108
GB28	85	MWS	110	PGS62	44 - 90
GB4/41	110	MIS	95	PGS71	49 - 99
GB12	110	LIW	102		

Brake	+L mm
0.4 Nm	35

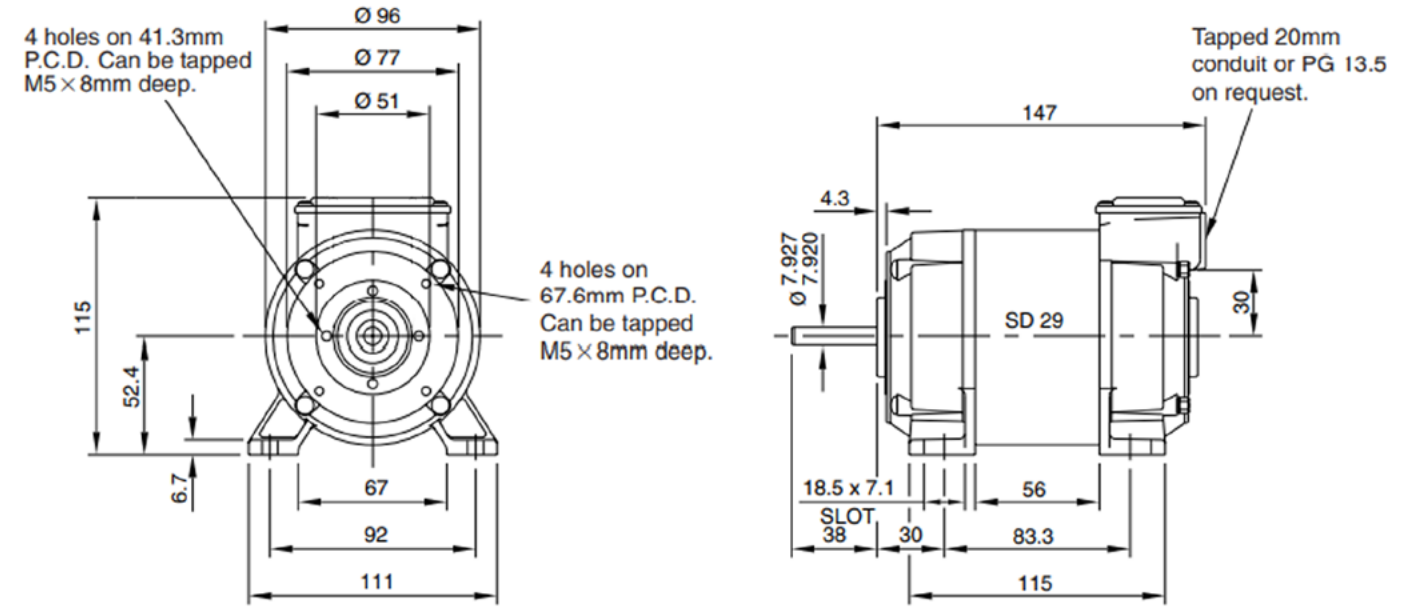
+L mm = approximate added length*

*additional length may also be required for mounting flange between components

SD29 AC motor

Ø96 mm frame // 56 mm stack

all dimensions in mm



Part number key		Available on request: custom shaft length and diameter, shaft on both sides, special windings for specific voltages and speed, higher IP protection class, custom flanges and connectors.							
Modular	#####	Note: Brakes are not available on TEFC (Totally Enclosed Fan Cooled) motors.							
Standard	#####	All products are built in accordance to performance tolerances from EN60034-1:2010. As continuous improvement, Parvalux periodically test their product range to ensure test results are as accurate as possible and are therefore subject to change. Please ensure you are using the latest datasheets found on our website							
Calculated data	#####								

Technical data									
1 Part number		-	-	-	-	-	-	-	-
2 Phases		1	1	1	1	3	3	3	3
3 Frequency	Hz	50	50	60	60	50	50	60	60
4 Nominal voltage	V AC	230	230	115	115	400	400	230	230
5 Nominal power	W	55	100	55	100	55	120	55	120
6 Nominal speed	rpm	1400	2800	1700	3400	1400	2800	1700	3400
7 Nominal continuous torque (S1)	Nm	0.38	0.34	0.31	0.28	0.38	0.41	0.38	0.41
8 Nominal continuous current (S1)	A	0.41	0.76	-	-	0.28	0.36	-	-
9 Starting Current	A	1.03	1.90	0	0	0.70	0.90	0	0
10 Input Watts	W	100	185	100	185	100	185	100	185
11 Capacitor Value	M.F.D	3.0	6.0	3.0	6.0	-	-	-	-
12 Starting Torque Full Load	%	85	85	85	85	150	150	150	150
13 Stack length	mm	56	56	56	56	56	56	56	56
14 Number of poles		4	2	4	2	4	2	4	2
15 Rotor inertia	Kg/cm ²	-	-	-	-	-	-	-	-

Thermal data		Modular system	
16 Ambient temperature	°C	40	
Mechanical data		Gearbox	
17 Radial load [distance from flange]	N [mm]	150 [15]	
Other data		Gearbox	
18 Weight	Kg	3.6	
19 Enclosure	VENT/TEFC		
20 IP Rating - Ventilated	IP20		
21 IP Rating - TE/TEFC	IP54		
22 Insulation Class	F		
23 Type	Permanent capacitor, asynchronous		
24 Direction	Bi-directional		

Gearbox	+L mm	Gearbox	+L mm	Gearbox	+L mm
S	59	GB36	166	LWS	127
M	85	MIW	83	LIS	108
GB28	85	MWS	110	PGS62	44 - 90
GB4/41	110	MIS	95	PGS71	49 - 99
GB12	110	LIW	102		

Brake	+L mm
0.4 Nm	35

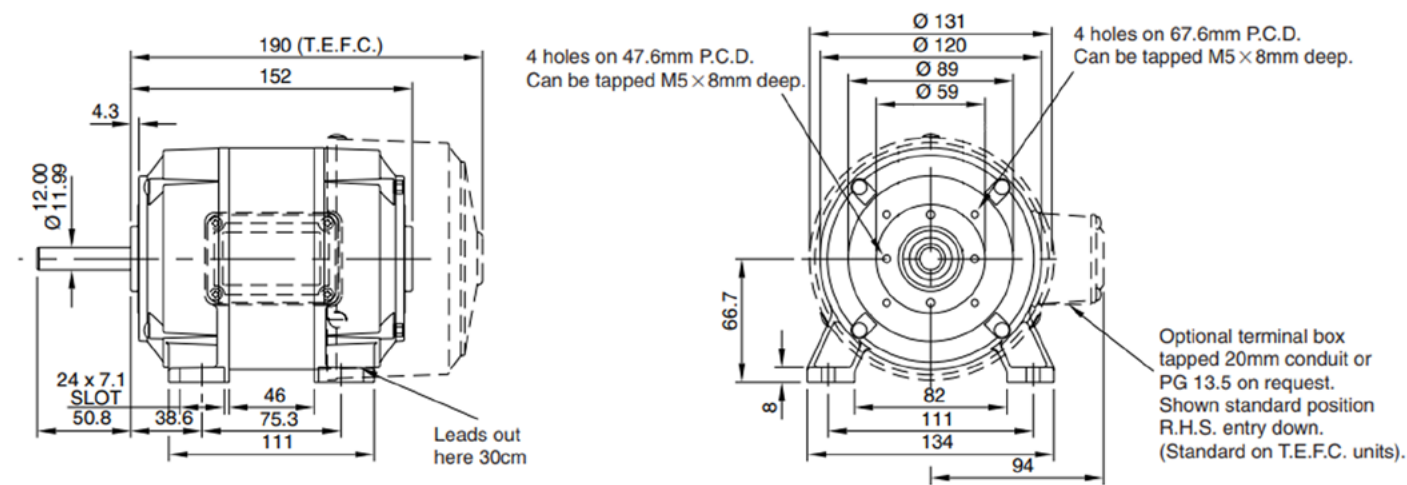
+L mm = approximate added length*

*additional length may also be required for mounting flange between components

SD13 AC motor

Ø120 mm frame // 46 mm stack

all dimensions in mm



Part number key		Available on request: synchronous motor type, custom shaft length and diameter, shaft on both sides, special windings for specific voltages and speed, higher IP protection class, custom flanges and connectors. Additional motor output speeds available (900 & 1200 rpm), please contact sales for further details.							
Modular	#####	Note: Brakes are not available on TEFC (Totally Enclosed Fan Cooled) motors.							
Standard	#####	All products are built in accordance to performance tolerances from EN60034-1:2010. As continuous improvement, Parvalux periodically test their product range to ensure test results are as accurate as possible and are therefore subject to change. Please ensure you are using the latest datasheets found on our website							
Calculated data	#####								
Technical data									
1 Part number	-	-	-	-	-	-	-	-	-
2 Phases	1	1	1	1	3	3	3	3	3
3 Frequency	Hz	50	50	60	60	50	50	60	60
4 Nominal voltage	V AC	230	230	115	115	400	400	230	230
5 Nominal power	W	100	150	100	150	125	190	125	190
6 Nominal speed	rpm	1400	2800	1700	3400	1400	2800	1700	3400
7 Nominal continuous torque (S1)	Nm	0.68	0.51	0.56	0.42	0.85	0.65	0.70	0.53
8 Nominal continuous current (S1)	A	0.76	1.20	-	-	0.44	0.46	-	-
9 Starting Current	A	1.9	3.0	0	0	1.1	1.2	0	0
10 Input Watts	W	180	290	180	290	210	273	210	273
11 Capacitor Value	M.F.D	6.0	8.4	6.0	8.4	-	-	-	-
12 Starting Torque Full Load	%	75	80	75	80	200	200	200	200
13 Stack length	mm	46	46	46	46	46	46	46	46
14 Number of poles		4	2	4	2	4	2	4	2
15 Rotor inertia	Kg/cm ²	-	-	-	-	-	-	-	-

Thermal data		Modular system			
16 Ambient temperature	°C	40			
Mechanical data					
17 Radial load [distance from flange]	N [mm]	200 [15]			
Other data					
18 Weight	Kg	5.4			
19 Enclosure		VENT/TEFC			
20 IP Rating - Ventilated		IP20			
21 IP Rating - TE/TEFC		IP54			
22 Insulation Class		F			
23 Type		Permanent capacitor, asynchronous			
24 Direction		Bi-directional			

Gearbox	+L mm	Gearbox	+L mm	Gearbox	+L mm
M	85	LIW	102	PGS71	49 - 99
GB4/41	110	LWS	127	PGS80	52 - 102
GB12	110	LIS	108	PGS90	57 - 107
GB9	138	PGS62	44 - 90		

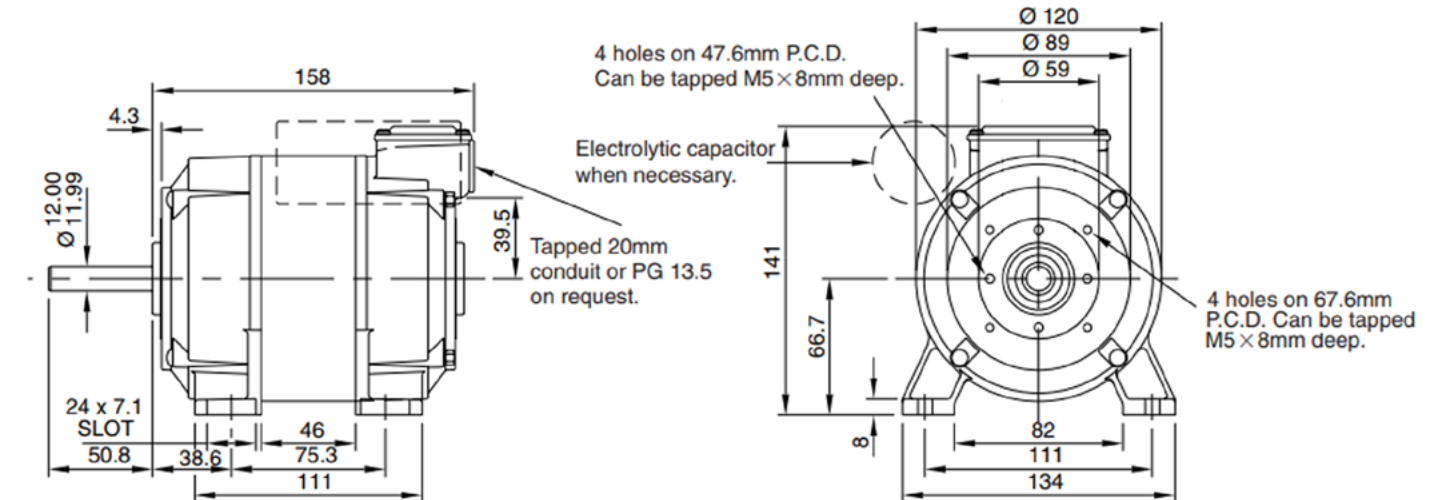
Brake	+L mm
0.4 Nm	35

*additional length may also be required for mounting flange between components

SD18 AC motor

Ø120 mm frame // 46 mm stack

all dimensions in mm



Part number key		Available on request: synchronous and CAP start motor types, custom shaft length and diameter, shaft on both sides, special windings for specific voltages and speed, higher IP protection class, custom flanges and connectors. Additional motor output speeds available (900 & 1200 rpm), please contact sales for further details.							
Modular	#####	Note: Brakes are not available on TEFC (Totally Enclosed Fan Cooled) motors.							
Standard	#####	All products are built in accordance to performance tolerances from EN60034-1:2010. As continuous improvement, Parvalux periodically test their product range to ensure test results are as accurate as possible and are therefore subject to change. Please ensure you are using the latest datasheets found on our website							
Calculated data	#####								
Technical data									
1 Part number	-	-	-	-	-	-	-	-	-
2 Phases	1	1	1	1	3	3	3	3	3
3 Frequency	Hz	50	50	60	60	50	50	60	60
4 Nominal voltage	V AC	230	230	115	115	400	400	230	230
5 Nominal power	W	100	150	100	150	125	190	125	190
6 Nominal speed	rpm	1400	2800	1700	3400	1400	2800	1700	3400
7 Nominal continuous torque (S1)	Nm	0.68	0.51	0.56	0.42	0.85	0.65	0.70	0.53
8 Nominal continuous current (S1)	A	0.76	1.20	-	-	0.44	0.46	-	-
9 Starting Current	A	1.9	3.0	0	0	1.1	1.2	0	0
10 Input Watts	W	180	290	180	290	210	273	210	273
11 Capacitor Value	M.F.D	6.0	8.4	6.0	8.4	-	-	-	-
12 Starting Torque Full Load	%	75	80	75	80	200	200	200	200
13 Stack length	mm	46	46	46	46	46	46	46	46
14 Number of poles		4	2	4	2	4	2	4	2
15 Rotor inertia	Kg/cm ²	-	-	-	-	-	-	-	-

Thermal data		Modular system			
16 Ambient temperature	°C	40			
Mechanical data					
17 Radial load [distance from flange]	N [mm]	200 [15]			
Other data					
18 Weight	Kg	5.4			
19 Enclosure		VENT/TEFC			
20 IP Rating - Ventilated		IP20			
21 IP Rating - TE/TEFC		IP54			
22 Insulation Class		F			
23 Type		Permanent capacitor, asynchronous			
24 Direction		Bi-directional			

Gearbox	+L mm	Gearbox	+L mm	Gearbox	+L mm
M	85	LIW	102	PGS71	49 - 99
GB4/41	110	LWS	127	PGS80	52 - 102
GB12	110	LIS	108	PGS90	57 - 107
GB9	138	PGS62	44 - 90		

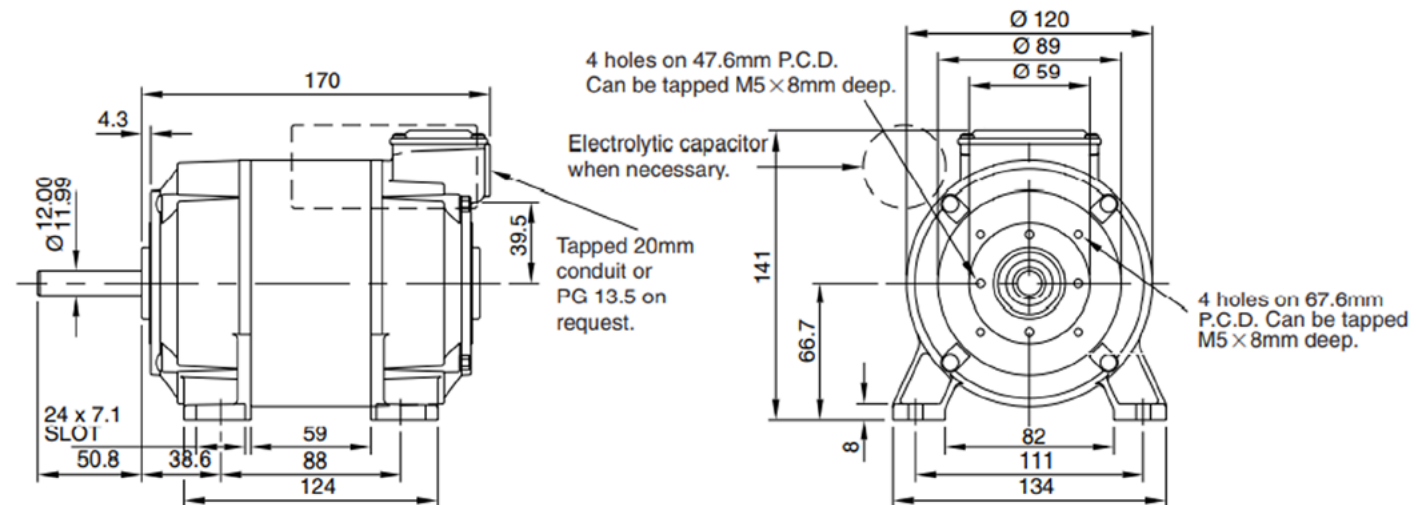
Brake	+L mm
0.4 Nm	35

*additional length may also be required for mounting flange between components

SD48 AC motor

Ø120 mm frame // 59 mm stack

all dimensions in mm



Modular	#####	<p>custom shaft length and diameter, shaft on both sides, special windings for specific voltages and speed, higher IP protection class, custom flanges and connectors.</p> <p>Brakes are not available on TEFC (Totally Enclosed Fan Cooled) motors.</p> <p>All products are built in accordance to performance tolerances from EN60034-1:2010. As continuous improvement, Parvalux periodically test their product range to ensure test results are as accurate as possible and are therefore subject to change. Please ensure you are using the latest datasheets found on our website</p>
Standard	#####	
Calculated data	#####	

1 Part number	-	-	-	-	-	-	-	-	-
2 Phases	1	1	1	1	3	3	3	3	3
3 Frequency	Hz	50	50	60	60	50	50	60	60
4 Nominal voltage	V AC	230	230	115	115	400	400	230	230
5 Nominal power	W	150	190	55	100	190	250	190	250
6 Nominal speed	rpm	1400	2800	1700	3400	1400	2800	1700	3400
7 Nominal continuous torque (S1)	Nm	1.00	0.65	0.84	0.53	1.30	0.85	1.07	0.70
8 Nominal continuous current (S1)	A	1.70	1.70	-	-	0.50	0.75	-	-
9 Starting Current	A	4.25	4.25	0	0	1.25	1.88	0	0
10 Input Watts	W	308	324	308	324	300	400	300	400
11 Capacitor Value	M.F.D	40/50	40/50	40/50	40/50	-	-	-	-
12 Starting Torque Full Load	%	150	130	150	130	150	150	150	150
13 Stack length	mm	56	56	56	56	56	56	56	56
14 Number of poles		4	2	4	2	4	2	4	2
15 Rotor inertia	Kg/cm²	-	-	-	-	-	-	-	-

16 Ambient temperature	°C	40
17 Radial load [distance from flange]	N [mm]	200 [15]
18 Weight	Kg	6.5
19 Enclosure	VENT/TEFC	
20 IP Rating - Ventilated	IP20	
21 IP Rating - TE/TEFC	IP54	
22 Insulation Class	F	
23 Type	Capacitor start, asynchronous	
24 Direction	Bi-directional	

Gearbox	+L mm	Gearbox	+L mm	Gearbox	+L mm
M	85	LIW	102	PGS71	49 - 99
GB4/41	110	LWS	127	PGS80	52 - 102
GB12	110	LIS	108	PGS90	57 - 107
GB9	138	PGS62	44 - 90		

Brake	+L mm
0.4 Nm	35

+L mm = approximate added length*

*additional length may also be required for mounting flange between components

Notes