

TRUE PLANETARY™ GEARHEADS



***SHIPPED WITHIN
24 HOURS!***

HIGH PRECISION • LOW BACKLASH • EASY TO MOUNT

Sold & Serviced By:

 **ELECTROMATE**

Toll Free Phone (877) SERV098

Toll Free Fax (877) 2SERV099

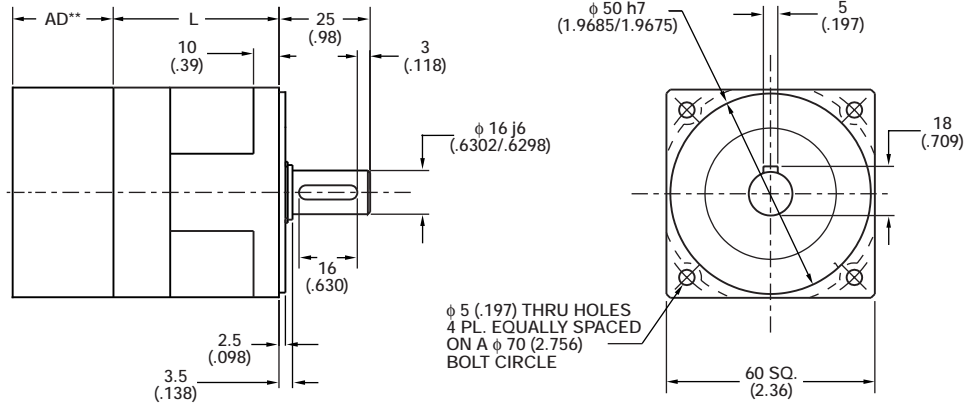
www.electromate.com

sales@electromate.com



DuraTRUE* Size 60

TRUE PLANETARY* Gearhead



Ratio	Dimension 'L' mm (in)	Backlash (arc-min)	Weight kg (lb)	Efficiency
3:1 to 10:1	53 (2.07)	8 max	1.0 (2.2)	90%
15:1 to 30:1	70 (2.76)	9 max	1.2 (2.7)	85%

** AD = Adapter length.
Adapter length will vary depending on motor.

All dimensions are: mm (inches)

(TABLE 1) PERFORMANCE SPECIFICATIONS

Part Number	Ratio ¹	5,000 HOUR LIFE				T _{peak} Nm (in-lb)	10,000 HOUR LIFE				J kg-cm ² (in-lb-sec ² x10 ⁴)	Torsional Stiffness Nm/arc-min (in-lb/arc-min)
		T _r (1000rpm) Nm (in-lb)	T _r (2000rpm) Nm (in-lb)	T _r (3000rpm) Nm (in-lb)	T _r (4000rpm) Nm (in-lb)		T _r (1000rpm) Nm (in-lb)	T _r (2000rpm) Nm (in-lb)	T _r (3000rpm) Nm (in-lb)	T _r (4000rpm) Nm (in-lb)		
XDT60-003	3:1	15 (134)	12 (109)	11 (97)	10 (89)	52 (460)	12 (109)	10 (89)	9 (79)	8 (72)	.52 (4.6)	0.9 (8.1)
XDT60-005	5:1	17 (148)	14 (120)	12 (106)	11 (98)	46 (410)	14 (120)	11 (98)	10 (86)	9 (79)	.46 (4.1)	0.9 (7.9)
XDT60-010	10:1	15 (134)	14 (121)	13 (114)	12 (108)	45 (400)	14 (124)	13 (112)	11 (100)	10 (92)	.44 (3.9)	0.8 (6.8)
XDT60-015	15:1	25 (218)	20 (177)	18 (157)	16 (144)	52 (460)	20 (177)	16 (144)	14 (127)	13 (117)	.46 (4.1)	0.9 (8.2)
XDT60-030	30:1	28 (246)	25 (218)	22 (193)	20 (177)	52 (460)	25 (218)	20 (177)	18 (157)	16 (144)	.44 (3.9)	1.0 (8.7)

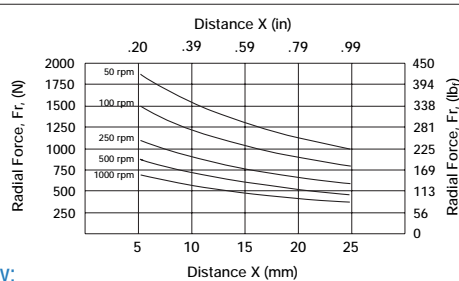
¹ Ratios are exact, other ratios are also available, consult factory.
T_r = Rated output torque at rated speed for specified hours of life.
J = Mass moment of inertia reflected to the input shaft (including pinion assembly).

For ordering information see page 14.

(TABLE 2) RADIAL AND AXIAL LOAD RATINGS

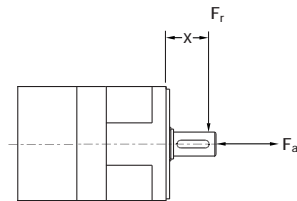
These graphs display the allowable radial load at a given distance (X) from the mounting surface based on an L₁₀ life of 10,000 hours for the mean output speed, n_{out}, as described on page 3.

XDT60 Radial Loadings



XDT60 Axial Loadings

Speed (rpm)	Axial Load, F _a N (lb _f)
50	3075 (692)
100	2441 (549)
250	1798 (405)
500	1427 (321)
1000	1133 (255)



Sold & Serviced By:
ELECTROMATE

Toll Free Phone (877) SERV098
Toll Free Phone (877) 440-9989
THOMSON MICRON
www.electromate.com
Leading in Motion Control Technology
sales@electromate.com

* Trademark of Thomson Industries, Inc. THOMSON is registered in the U.S. Patent and Trademark Office and in other countries. The specifications in this publication are believed to be accurate and reliable. However, it is the responsibility of the product user to determine the suitability of Thomson products for a specific application. While defective products will be replaced without charge if promptly returned, no liability is assumed beyond such replacement. ©1998 Thomson Micron, LLC

DuraTRUE*Size 90

TRUE PLANETARY* Gearhead

Ratio	Dimension 'L' mm (in)	Backlash (arc-min)	Weight kg (lb)	Efficiency
3:1 to 10:1	67 (2.63)	8 max	3.0 (6.6)	90%
15:1 to 30:1	90 (3.53)	9 max	3.7 (8.1)	85%

** AD = Adapter length.
Adapter length will vary depending on motor.

All dimensions are: mm (inches)

(TABLE 1) PERFORMANCE SPECIFICATIONS

Part Number	Ratio ¹	5,000 HOUR LIFE				T _{peak} Nm (in-lb)	10,000 HOUR LIFE				J kg-cm ² (in-lb-sec ² x10 ⁴)	Torsional Stiffness Nm/arc-min (in-lb/arc-min)
		T _r (1000rpm) Nm (in-lb)	T _r (2000rpm) Nm (in-lb)	T _r (3000rpm) Nm (in-lb)	T _r (4000rpm) Nm (in-lb)		T _r (1000rpm) Nm (in-lb)	T _r (2000rpm) Nm (in-lb)	T _r (3000rpm) Nm (in-lb)	T _r (4000rpm) Nm (in-lb)		
XDT90-003	3:1	69 (614)	56 (499)	50 (442)	46 (405)	167 (1476)	56 (499)	46 (405)	41 (359)	37 (329)	2.22 (1.97)	4.9 (43.3)
XDT90-005	5:1	75 (664)	62 (549)	55 (486)	50 (446)	157 (1385)	62 (549)	50 (446)	45 (395)	41 (362)	1.76 (1.56)	4.8 (42.9)
XDT90-010	10:1	55 (488)	50 (439)	46 (411)	44 (392)	157 (1390)	51 (452)	46 (407)	43 (381)	41 (363)	1.63 (1.44)	4.0 (35.6)
XDT90-015	15:1	93 (826)	84 (747)	79 (702)	74 (657)	167 (1479)	86 (764)	74 (657)	66 (582)	60 (534)	1.78 (1.58)	4.9 (43.7)
XDT90-030	30:1	103 (908)	93 (826)	88 (780)	84 (747)	167 (1479)	95 (840)	86 (764)	81 (716)	74 (657)	1.64 (1.45)	4.9 (43.4)

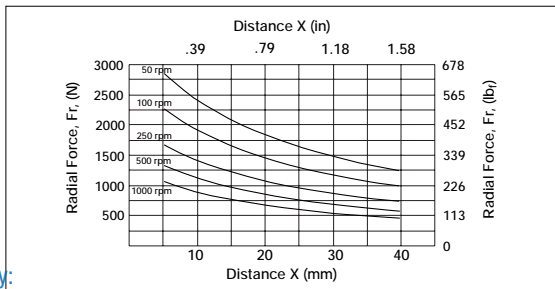
¹ Ratios are exact, other ratios are also available, consult factory.
T_r = Rated output torque at rated speed for specified hours of life.
J = Mass moment of inertia reflected to the input shaft (including pinion assembly).

For ordering information see page 14.

(TABLE 2) RADIAL AND AXIAL LOAD RATINGS

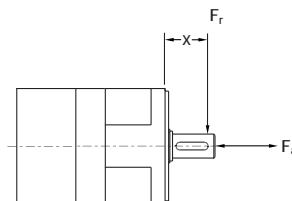
These graphs display the allowable radial load at a given distance (X) from the mounting surface based on an L₁₀ life of 10,000 hours for the mean output speed, n_{mount}, as described on page 3.

XDT90 Radial Loadings



XDT90 Axial Loadings

Speed (rpm)	Axial Load, F _a N (lb _f)
50	4506 (1014)
100	3576 (805)
250	2635 (593)
500	2091 (471)
1000	1660 (373)



Sold & Serviced By:
ELECTROMATE

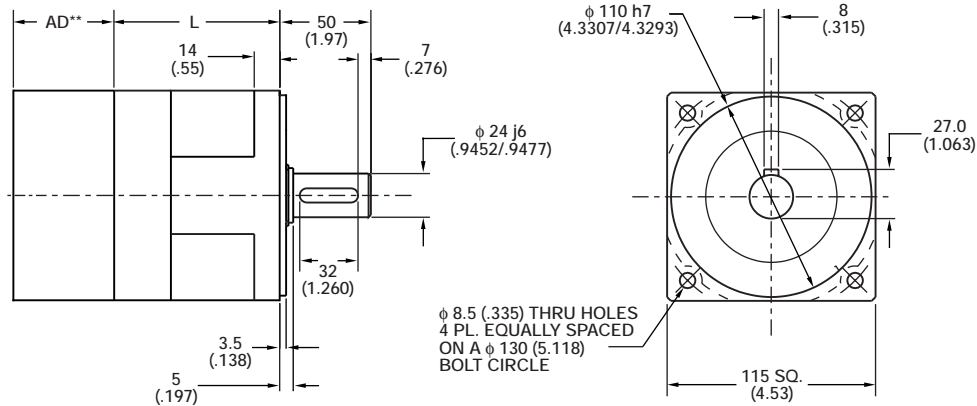
Toll Free Phone: 1-877-557-7700
Toll Free Fax: 1-877-557-7700
www.electromate.com
sales@electromate.com

Trademark of Thomson Industries, Inc. THOMSON is registered in the U.S. Patent and Trademark Office and in other countries. The specifications in this publication are believed to be accurate and reliable. However, it is the responsibility of the product user to determine the suitability of Thomson products for their specific application. While defective products will be replaced without charge if promptly returned, no liability is assumed beyond such replacement. ©1998 Thomson Micron, LLC

THOMSON MICRON
Leading in Motion Control Technology

DuraTRUE* Size 115

TRUE PLANETARY* Gearhead



** AD = Adapter length.
Adapter length will vary depending on motor.

All dimensions are: mm (inches)

Ratio	Dimension 'L' mm (in)	Backlash (arc-min)	Weight kg (lb)	Efficiency
3:1 to 10:1	88 (3.46)	8 max	5.7 (12.7)	90%
15:1 to 30:1	119 (4.69)	9 max	7.3 (16.2)	85%

(TABLE 1) PERFORMANCE SPECIFICATIONS

Part Number	Ratio ¹	5,000 HOUR LIFE				T_{peak} Nm (in-lb)	10,000 HOUR LIFE				J kg-cm ² (in-lb-sec ² x10 ⁴)	Torsional Stiffness Nm/arc-min (in-lb/arc-min)
		T_r (1000rpm) Nm (in-lb)	T_r (2000rpm) Nm (in-lb)	T_r (3000rpm) Nm (in-lb)	T_r (4000rpm) Nm (in-lb)		T_r (1000rpm) Nm (in-lb)	T_r (2000rpm) Nm (in-lb)	T_r (3000rpm) Nm (in-lb)	T_r (4000rpm) Nm (in-lb)		
XDT115-003	3:1	105 (932)	86 (757)	76 (670)	70 (615)	284 (2511)	86 (757)	70 (615)	62 (544)	56 (499)	4.39 (3.88)	13.9 (123.4)
XDT115-005	5:1	116 (1025)	91 (803)	83 (738)	77 (677)	284 (2511)	94 (833)	77 (677)	68 (599)	62 (550)	2.88 (2.55)	13.6 (120.8)
XDT115-010	10:1	90 (796)	81 (715)	76 (668)	72 (635)	284 (2511)	83 (737)	75 (661)	70 (618)	66 (588)	2.47 (2.18)	11.6 (102.4)
XDT115-015	15:1	171 (1510)	139 (1226)	123 (1086)	113 (996)	284 (2511)	139 (1226)	113 (996)	100 (882)	91 (809)	2.95 (2.61)	12.9 (114.1)
XDT115-030	30:1	203 (1794)	171 (1510)	151 (1337)	139 (1226)	284 (2511)	171 (1510)	139 (1226)	123 (1086)	113 (996)	2.48 (2.20)	14.1 (124.4)

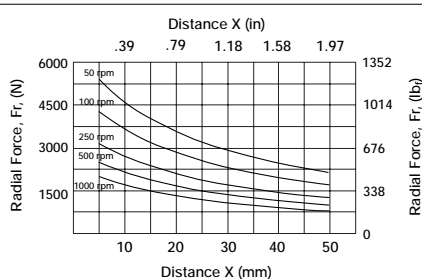
For ordering information see page 14.

¹ Ratios are exact, other ratios are also available, consult factory.
 T_r = Rated output torque at rated speed for specified hours of life.
 J = Mass moment of inertia reflected to the input shaft (including pinion assembly).

(TABLE 2) RADIAL AND AXIAL LOAD RATINGS

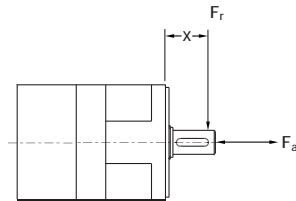
These graphs display the allowable radial load at a given distance (X) from the mounting surface based on an L_{10} life of 10,000 hours for the mean output speed, n_{out} , as described on page 3.

XDT115 Radial Loadings



XDT115 Axial Loadings

Speed (rpm)	Axial Load, F_a N (lb _f)
50	8196 (1844)
100	6505 (1464)
250	4793 (1078)
500	3804 (856)
1000	3019 (679)



Sold & Serviced By:

ELECTROMATE

Toll Free Phone (877) SERV098

Toll Free Phone (877) SERV098

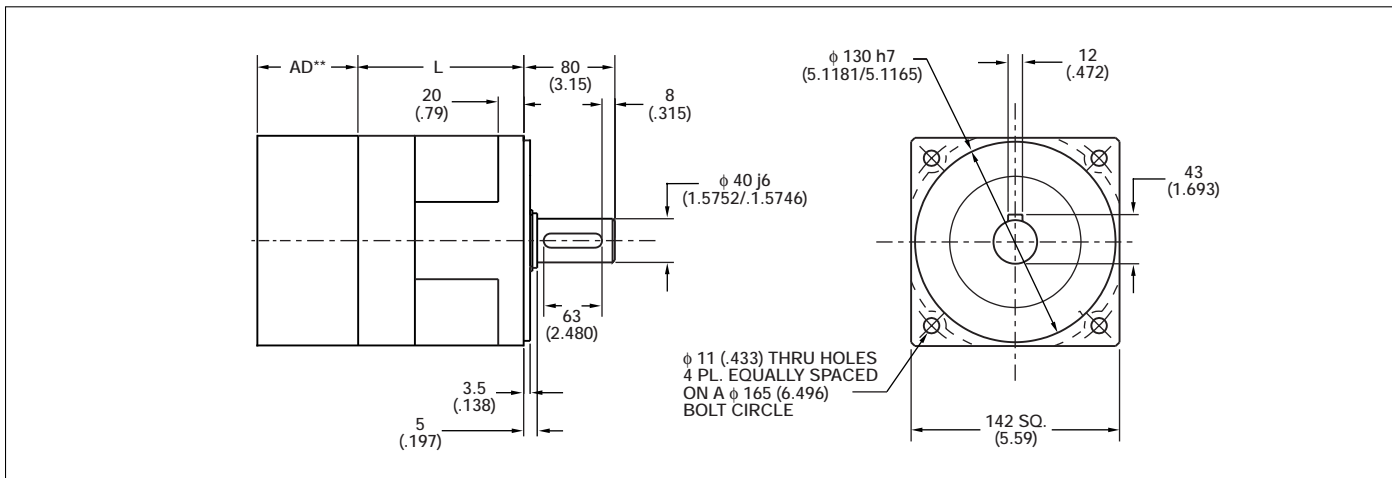
THOMSON MICRON

Leading in Motion Control Technology

* Trademark of Thomson Industries, Inc. THOMSON is registered in the U.S. Patent and Trademark Office and in other countries. The specifications in this publication are believed to be accurate and reliable. However, it is the responsibility of the product user to determine the suitability of Thomson products for a specific application. While defective products will be replaced without charge if promptly returned, no liability is assumed beyond such replacement. ©1998 Thomson Micron, LLC

DuraTRUE*Size 142

TRUE PLANETARY* Gearhead



Ratio	Dimension 'L' mm (in)	Backlash (arc-min)	Weight kg (lb)	Efficiency
3:1 to 10:1	121 (4.77)	8 max	12.8 (28.3)	90%
15:1 to 30:1	170 (6.71)	9 max	17.2 (38.0)	85%

** AD = Adapter length.
Adapter length will vary depending on motor.

All dimensions are: mm (inches)

(TABLE 1) PERFORMANCE SPECIFICATIONS

Part Number	Ratio ¹	5,000 HOUR LIFE				T_{peak} Nm (in-lb)	10,000 HOUR LIFE				J kg-cm ² (in-lb-sec ² x10 ⁴)	Torsional Stiffness Nm/arc-min (in-lb/arc-min)
		T_r (1000rpm) Nm (in-lb)	T_r (2000rpm) Nm (in-lb)	T_r (3000rpm) Nm (in-lb)	T_r (4000rpm) Nm (in-lb)		T_r (1000rpm) Nm (in-lb)	T_r (2000rpm) Nm (in-lb)	T_r (3000rpm) Nm (in-lb)	T_r (4000rpm) Nm (in-lb)		
XDT142-003	3:1	372 (3289)	302 (2671)	267 (2365)	245 (2170)	834 (7377)	302 (2671)	245 (2170)	217 (1921)	199 (1762)	23.2 (2.05)	51.8 (458.7)
XDT142-005	5:1	410 (3625)	333 (2944)	295 (2607)	270 (2391)	834 (7377)	333 (2944)	270 (2391)	239 (2118)	219 (1942)	14.7 (1.30)	52.6 (465.1)
XDT142-010	10:1	229 (2022)	204 (1808)	190 (1685)	181 (1598)	834 (7377)	211 (1871)	189 (1673)	176 (1559)	167 (1479)	12.1 (1.07)	41.3 (365.1)
XDT142-015	15:1	524 (4634)	471 (4167)	433 (3833)	397 (3516)	834 (7377)	484 (4287)	397 (3516)	352 (3114)	323 (2856)	15.1 (1.34)	59.6 (527.6)
XDT142-030	30:1	578 (5113)	524 (4634)	493 (4359)	471 (4167)	834 (7377)	535 (4731)	484 (4287)	433 (3833)	397 (3516)	12.2 (1.08)	59.9 (529.9)

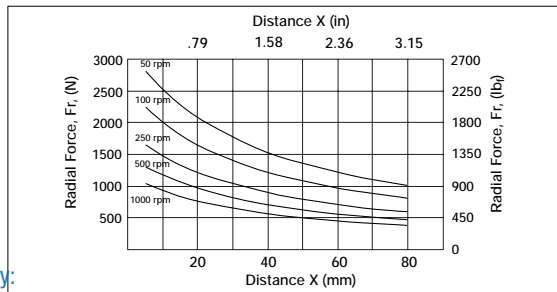
¹ Ratios are exact, other ratios are also available, consult factory.
 T_r = Rated output torque at rated speed for specified hours of life.
 J = Mass moment of inertia reflected to the input shaft (including pinion assembly).

For ordering information see page 14.

(TABLE 2) RADIAL AND AXIAL LOAD RATINGS

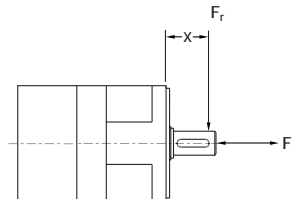
These graphs display the allowable radial load at a given distance (X) from the mounting surface based on an L_{10} life of 10,000 hours for the mean output speed, n_{mout} , as described on page 3.

XDT142 Radial Loadings



XDT142 Axial Loadings

Speed (rpm)	Axial Load, F_a N (lb _f)
50	17,023 (3830)
100	13,511 (3040)
250	9956 (2240)
500	7902 (1778)
1000	6271 (1411)



Sold & Served By: **ELECTROMATE**

Toll Free Phone: 1-877-557-7669
 Toll Free Fax: 1-877-557-7669
 www.electromate.com
 sales@electromate.com

Trademark of Thomson Industries, Inc. THOMSON is registered in the U.S. Patent and Trademark Office and in other countries. The specifications in this publication are believed to be accurate and reliable. However, it is the responsibility of the product user to determine the suitability of Thomson products for their specific application. While defective products will be replaced without charge if promptly returned, no liability is assumed beyond such replacement. ©1998 Thomson Micron, LLC

THOMSON MICRON
 Leading in Motion Control Technology

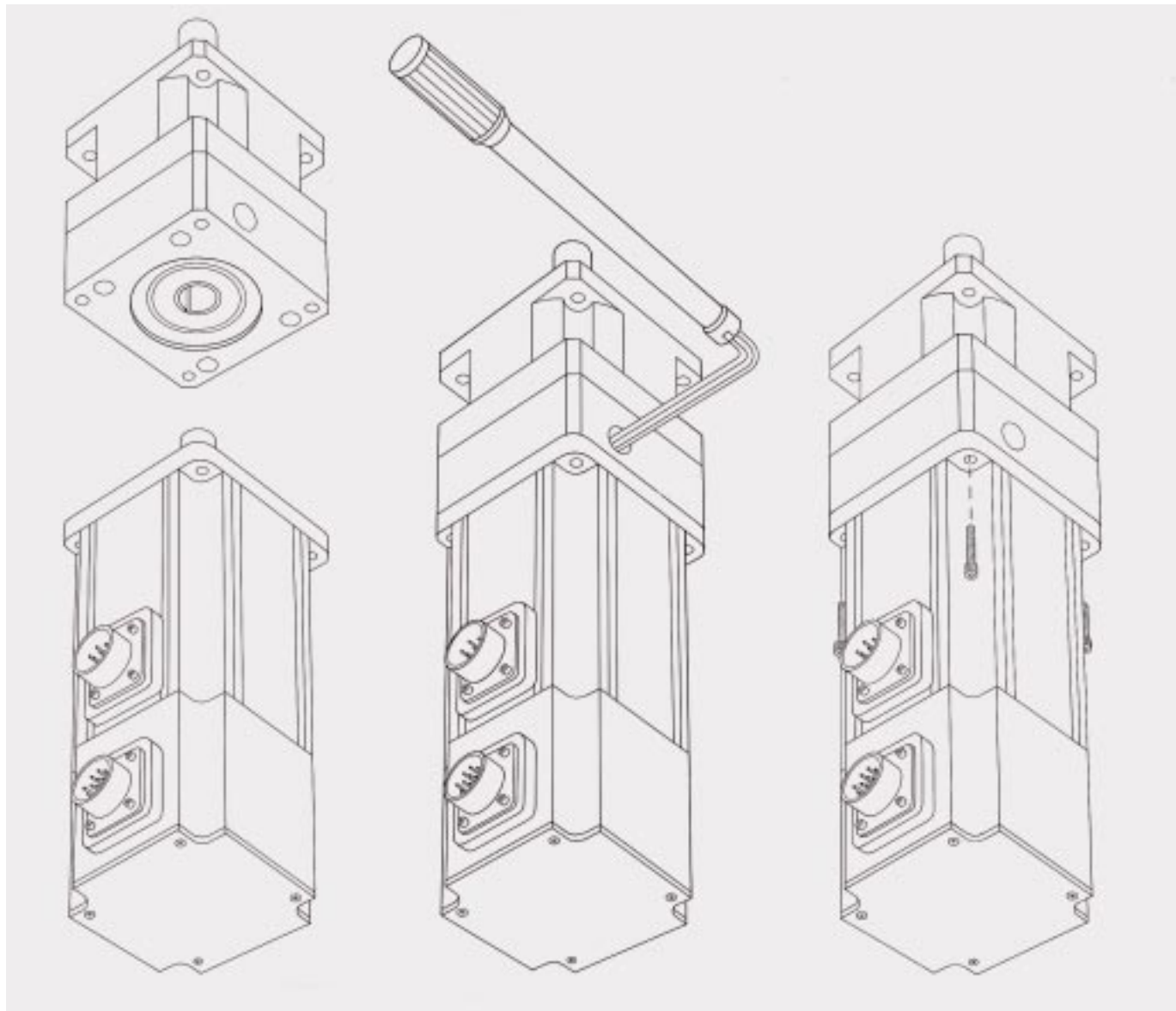
RediMount* Motor Mounting System

Mount in 3 easy steps.

STEP 1

STEP 2

STEP 3



STEP 1

STEP 2

STEP 3

**SLIDE GEARHEAD
ON MOTOR**

**TIGHTEN HUB ON
MOTOR SHAFT**

**TIGHTEN
BOLTS**

Sold & Serviced By:

 **ELECTROMATE**

Toll Free Phone (877) SERV098

Toll Free Phone (877) 447-0998

THOMSON MICRON

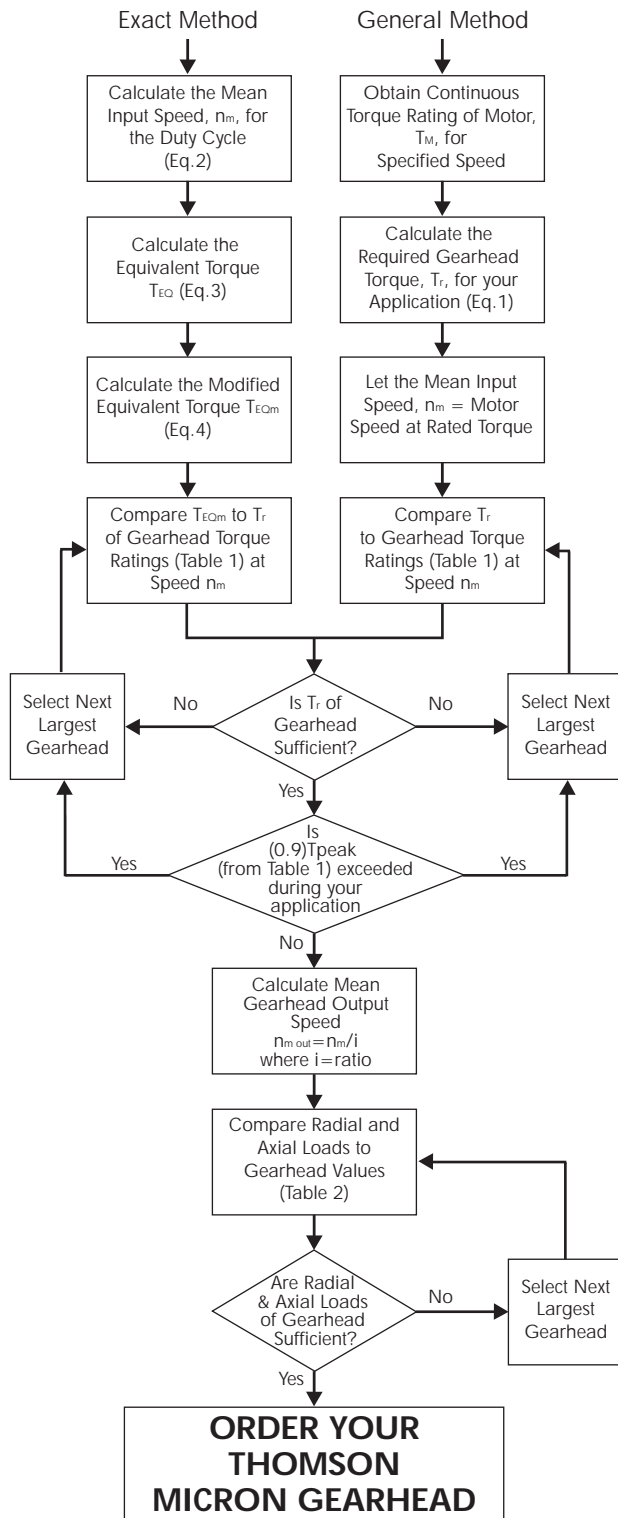
12 **Leading in Motion Control Technology**

* Trademark of Thomson Industries, Inc. THOMSON is registered in the U.S. Patent and Trademark Office and in other countries. The specifications in this publication are believed to be accurate and reliable. However, it is the responsibility of the product user to determine the suitability of Thomson products for a specific application. While defective products will be replaced without charge if promptly returned, no liability is assumed beyond such replacement. ©1998 Thomson Micron, LLC

GEARHEAD SELECTION

Step 1: Select the required precision class

Step 2: Select the proper gearhead using exact or general method.



General Method:

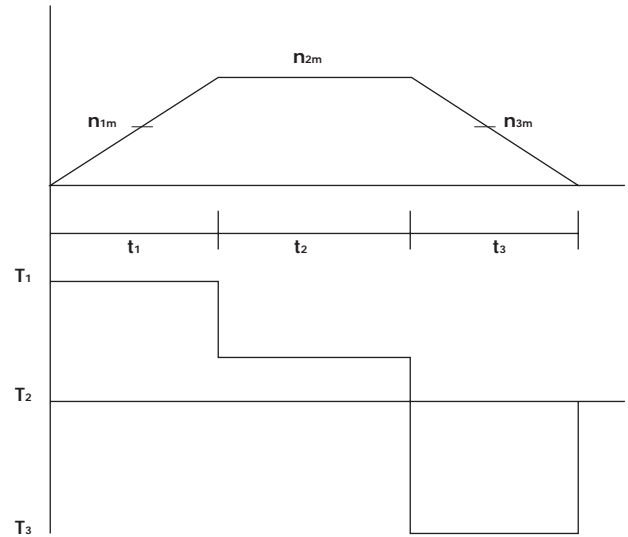
Required Gearhead Torque (T_r)

$$\text{Eq.(1)} \quad T_r = T_M^\dagger \times i \times e$$

where: T_M^\dagger = continuous torque of motor
 i = gearhead ratio
 e = efficiency of gearhead

[†] Since many motors are capable of exceeding their continuous torque rating for extended lengths of time, the value of T_M will only provide a starting point for gearhead selection. Only use the general method if the continuous motor rating is not exceeded in the application.

Exact Method:



t_n = time period n

n_{nm} = mean speed during time period t_n

T_n = torque during time period t_n

Mean Input speed (n_m)

$$\text{Eq.(2)} \quad n_m = \frac{n_{1m}t_1 + n_{2m}t_2 + n_{3m}t_3 + \dots + n_{nm}t_n}{t_t}$$

where $t_t = t_1 + t_2 + t_3 + \dots + t_n$

Equivalent torque (T_{EQ})

$$\text{Eq.(3)} \quad T_{EQ} = \sqrt[8.7]{\frac{T_1^{8.7} n_{1m} t_1}{n_m t_t} + \frac{T_2^{8.7} n_{2m} t_2}{n_m t_t} + \frac{T_3^{8.7} n_{3m} t_3}{n_m t_t} + \dots + \frac{T_n^{8.7} n_{nm} t_n}{n_m t_t}}$$

Modified equivalent torque (T_{EQm})

$$\text{Eq.(4)} \quad T_{EQm} = \frac{T_{EQ}}{Q}$$

where Q is:

Q	# Cycles/hr
1.0	>0
0.9	>1000
0.7	>2500
0.5	>5000

Sold & Serviced By:

ELECTROMATE

Toll Free Phone: 877-959-0088
 Toll Free Fax: 877-589-0099
 www.electromate.com
 sales@electromate.com

Trademark of Thomson Industries, Inc. THOMSON is registered in the U.S. Patent and Trademark Office and in other countries. The specifications in this publication are believed to be accurate and reliable. However, the responsibility of the product user to determine the suitability of Thomson products for a specific application. While defective products will be replaced without charge if promptly returned, no liability is assumed beyond such replacement. ©1998 Thomson Micron, LLC

THOMSON MICRON
 Leading in Motion Control Technology