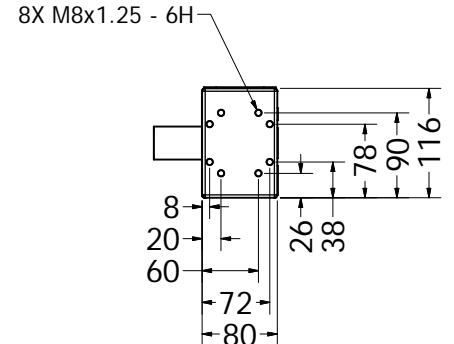
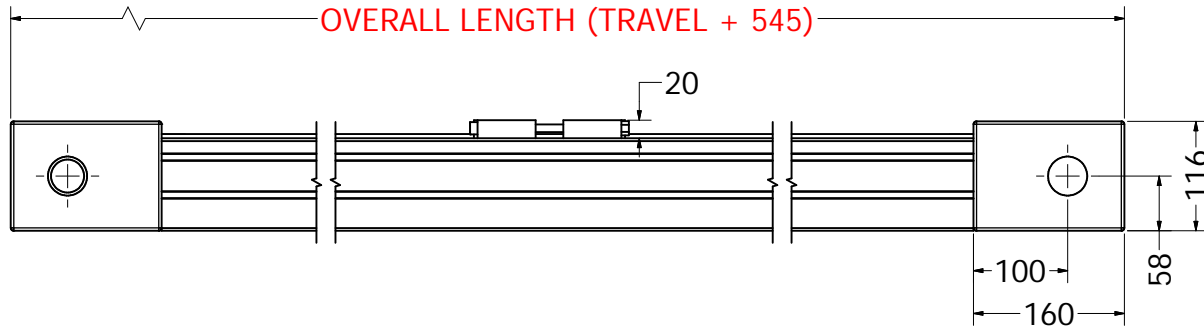
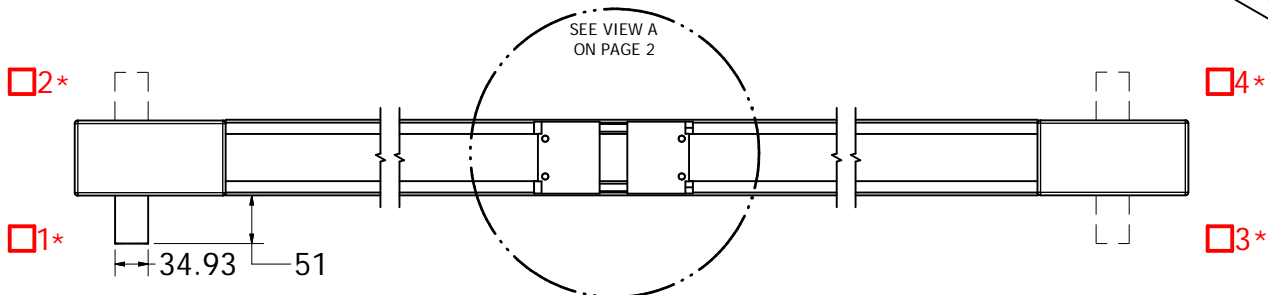
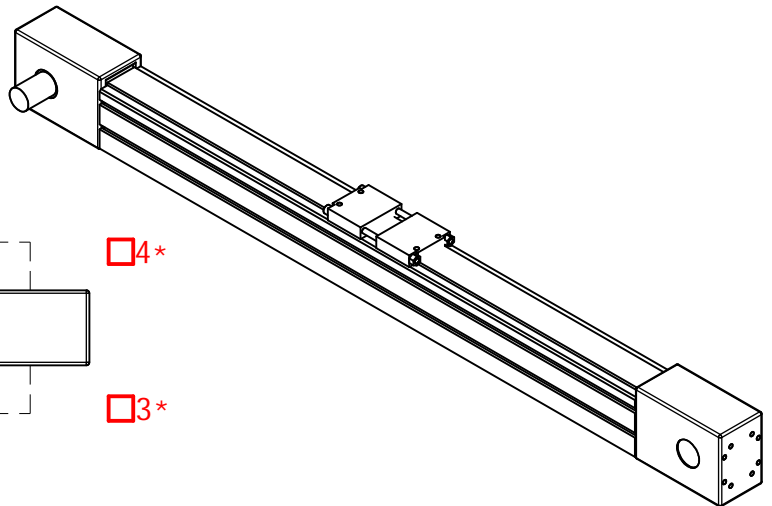


MSA - SBH - I - CF - -

STOCK TRAVEL	OVERALL LENGTH	TRAVEL
	00750	205
	01000	455
	01250	705
	01500	955
	01750	1205
	02000	1455
	02250	1705
	CUSTOM TRAVEL	

ENTER
OVERALL LENGTH [mm]
SELECT
DRIVE SHAFT LOCATION *
SPECIFY TYPE
A = SINGLE SHAFTED
B = DOUBLE SHAFTED

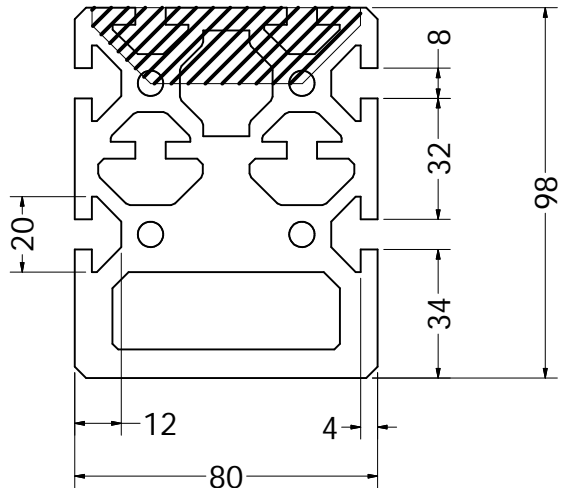


APPROVED: _____
DATE: _____

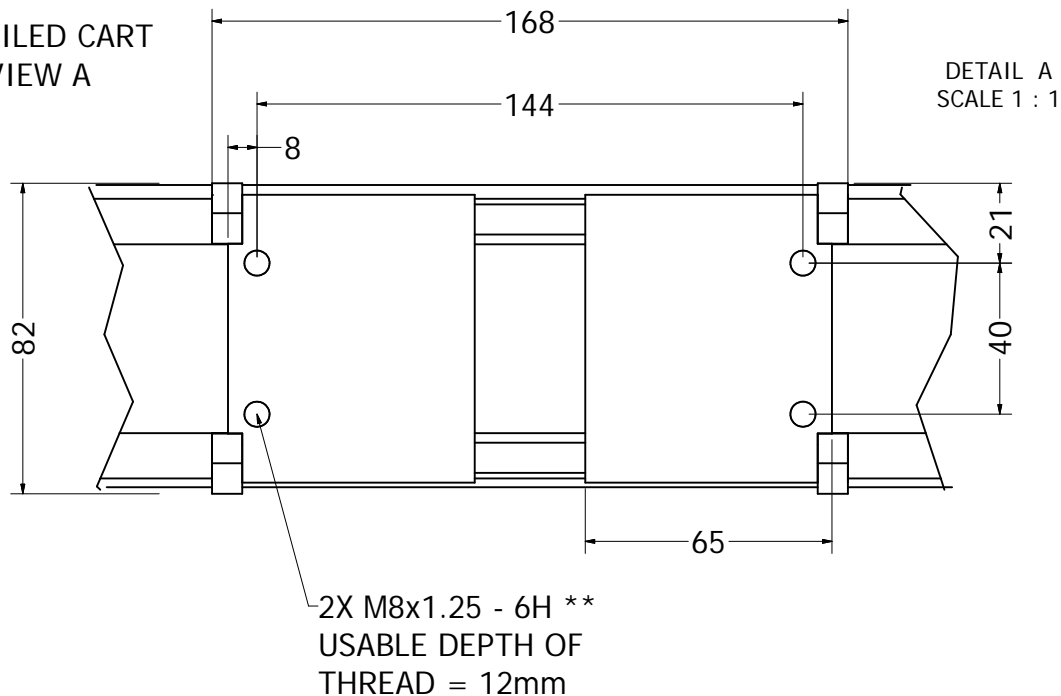
Sold & Serviced By:
ELECTROMATE
Toll Free Phone (877) SERV098
Toll Free Fax (877) SERV099
www.electromate.com
sales@electromate.com

<p>3RD ANGLE PROJECTION</p>	<p>MACRON DYNAMICS, INC.</p>
<p>THIS DRAWING IS THE PROPERTY OF MACRON DYNAMICS, INC. ANY REPRODUCTIONS SHALL BE FOR QUOTATION, MANUFACTURING, OR PURCHASING PURPOSES ONLY. RELEASE OF DRAWINGS TO OTHER CONCERNS DOES NOT CONSTITUTE LICENSING IN ANY WAY. INFORMATION CONTAINED HEREIN IS PROPRIETARY AND CONFIDENTIAL.</p>	<p>TITLE MACRON SINGLE BELT DRIVE 50H</p>
<p>COMPUTER GENERATED DOCUMENT. MANUAL CHANGES NOT PERMITTED</p>	<p>DWG. NO. MSA-SBH</p>
<p>UNLESS OTHERWISE SPECIFIED ALL DIMENSIONS IN MILLIMETERS</p>	<p>REV 02</p> <p>DO NOT SCALE DRAWING SHEET 1 OF 6</p>

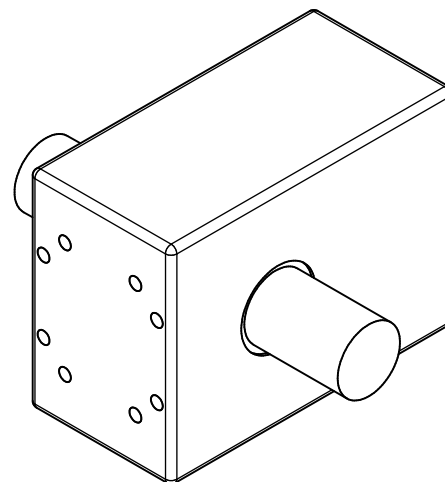
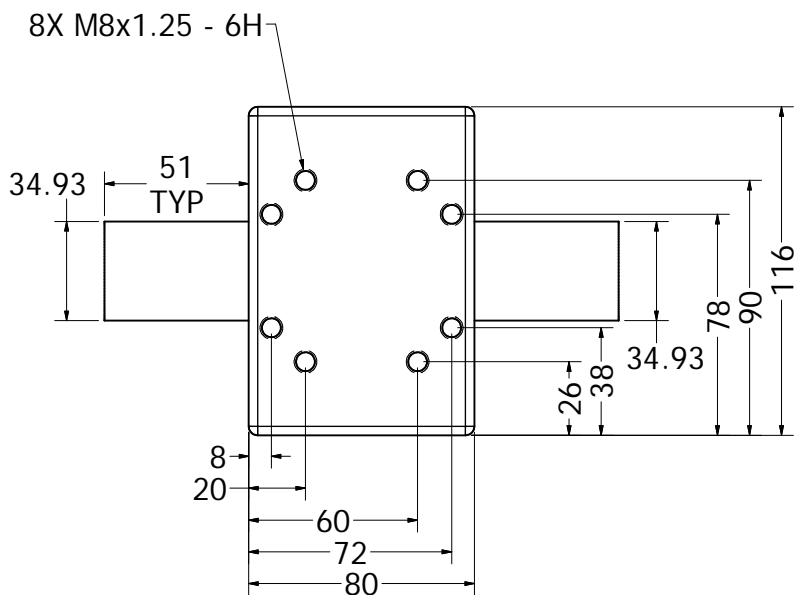
ACTUATOR BODY
MOUNTING FEATURES
T-NUT SLOTS



DETAILED CART
VIEW A



DOUBLE SHAFTED
PULLEY



****NOTE:** FOR INTERFACE MTG
PLATES, SLOT HOLE ON IDLER SIDE
TO ALLOW FOR BELT TENSIONING

Sold & Serviced By:



Toll Free Phone (877) SERV098
Toll Free Fax (877) SERV099
www.electromate.com
sales@electromate.com

 3RD ANGLE PROJECTION	 MACRON DYNAMICS, INC.
<small>THIS DRAWING IS THE PROPERTY OF MACRON DYNAMICS INC. ANY REPRODUCTIONS SHALL BE FOR QUOTATION, MANUFACTURING, OR PURCHASING PURPOSES ONLY. RELEASE OF DRAWINGS TO OTHER CONCERNS DOES NOT CONSTITUTE LICENSING IN ANY WAY. INFORMATION CONTAINED HEREIN IS PROPRIETARY AND CONFIDENTIAL.</small>	TITLE MACRON SINGLE BELT DRIVE 50H
<small>COMPUTER GENERATED DOCUMENT. MANUAL CHANGES NOT PERMITTED</small>	DWG. NO. MSA-SBH
<small>UNLESS OTHERWISE SPECIFIED ALL DIMENSIONS IN MILLIMETERS</small>	REV 02 <small>DO NOT SCALE DRAWING SHEET 2 OF 6</small>