

LINEAR MOTION CATALOG AND DESIGN GUIDE



Providing the technical experience, products, and custom solutions to challenging motion control problems

Haydon Kerk Motion Solutions is an innovative technology company that offers a global network of people, facilities and services dedicated to engineering and manufacturing the world's most advanced motion control solutions. One of the world's leading suppliers of miniature linear actuator products with unmatched performance-to-size ratios, patented technologies and millions of configuration options.

- Systems design
- Engineering
- Manufacturing
- On-site moldmaking
- Precision machining
- Finishing
- Assembly
- Wiring
- Testing
- World-wide technical assistance

Hardened custom packaging

Microslide linear actuator system for high precision motion control in tight spaces

Integrated linear actuator and IDEA™ programmable control

Environmentally sealed linear actuator

Hybrid linear actuators with integrated connector and encoder

Folded-over motorized RGS® linear rail

Custom motorized systems including linear actuator stepper motors, lead-screws, carriages, and specialized molded components.

Custom linear actuators used in a hexapod assembly

Custom-designed lead-screws and nuts

Sold & Serviced By:

ELECTROMATE

Toll Free Phone (877) SERV098

Toll Free Fax (877) SERV099

www.electromate.com

sales@electromate.com

How to Use This Guide

Haydon Kerk Motion Solutions, Inc. specializes in customized designs to solve complex engineering problems requiring precision linear motion.

Before using this guide, take a few minutes to review the table of contents and scan through the entire catalog. Our catalog is divided into several families illustrating linear motion products that can be used for different levels of assemblies depending on your unique application needs.

SECTION 1 – LEAD-SCREW AND NUT ASSEMBLIES

The lead-screw product line offers an extensive array of non-ball lead-screws, anti-backlash nuts, and free-wheeling nuts for use as components in a motion system. Haydon Kerk Motion Solutions offers precision lead-screws and nuts that easily interface to many types of rotary power sources including stepper motors, servos, brushless DC, brush-type DC, and AC synchronous motors. Lead-screws and nuts are also versatile components in systems requiring combination mechanics such as “belt, pulley, lead-screw” systems, and “folded-over” linear actuator designs.

Lead-screws (charts on pages 19 to 23)

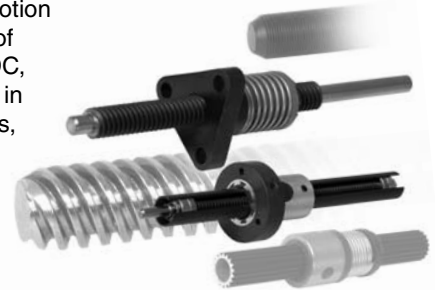
Nominal screw diameter: 3 mm to 24 mm (1/8-in to 15/16-in)
Leads (travel/revolution): 0.3 mm to 76 mm (0.012-in to 3-in)/revolution

Nut Styles (product summary and charts on pages 24 to 26)

8 designs of anti-backlash and freewheeling nuts as a function of load and maximum allowable drag torque.

ScrewRails® & Spline Shafts (product summary and charts on pages 45 to 54)

Kerk® ScrewRail® combines both functions in a single, coaxial component. The design saves as much as 80% of the space used by a two-rail system. Kerk Spline Shafts provide anti-rotation for one axis motion or a drive mechanism with rotation for two axes of motion.



SECTION 2 – STEPPER MOTOR LINEAR ACTUATORS

The stepper linear actuator product line offers an effective solution that simplifies the conventional way of translating rotary into linear motion. The rotary-to-linear conversion is unique; it takes place within the motor itself therefore eliminating the use of belts and pulleys, rack and pinion and other mechanical components. There’s a detailed tutorial at the beginning of Section 2 that explains the technology.

There are 2 sub-families of stepper motor actuators (Product Summary on page 56)

Hybrid Linear Actuators (Overview on page 75)

Footprint: 21 mm to 87 mm (0.8-in to 3.4-in) square
Force Output: 2 N to 2200 N (0.5 lb to 500 lb)
Linear Travel/step: 1.5 to 127 microns/step (0.00006-in to 0.005-in)/step

Can-Stack Linear Actuators (Overview on page 129)

Footprint: 15 mm to 46 mm (0.59-in to 1.8-in) diameter
Force Output: 7 N to 260 N (1.6 lb to 58 lb)
Linear Travel/step: 20 to 400 microns/step (0.0008-in to 0.016-in)/step



SECTION 3 – MOTORIZED & NON-MOTORIZED LINEAR RAILS AND SLIDES

The linear rails and slides product line should be considered when a more extensive linear motion solution is desired to minimize overall system material cost, engineering time, and assembly cost. The linear rails and slides are complete mechanical systems that can be powered and motorized to include a linear bearing, rotary bearings, mechanical frame, precision screw and nut, and an electronic drive unit. We can also design, engineer and manufacture a multiple-axis configuration specific to your application requirements.

Typical Configurations (Section begins on page 217)

- Travel distances (stroke lengths) up to 90-in (229 cm)
- Motorized or non-motorized
- Optional motor mounting bracket and slots for sensors
- Patented anti-backlash nuts or freewheeling nuts available



Company Overview

Who We Are	8
------------	---

SECTION 1: LEAD-SCREW ASSEMBLIES

Technology	Lead-screw and Nut Overview	10
	Anti-Backlash Technology	11
	Lubrication	12
	• Kerkote®	12
	• Black Ice™	12
	Materials	
	• 303 Stainless Steel	13
	• Kerkite® Composite Polymers	13
	• Special Materials	13
	Design and Engineering Data	14
Lead-screws	Part Number Construction	18
	Lead-screw Size List	19
Anti-Backlash Nuts	Lead-screw Nut Styles	24
	Nut Feature Matrix	25
	Product Comparison Chart	26
	CMP Series	27
	ZBX Series	28
	KHD Series	30
	WDG Series	31
	NTB Series	32
	VHD Series	34
	ZBA Series	35
	NTG Series	37
Free-Wheeling and Specialty Nuts	BFW Series	38
	Mini Series	40
	Micro Series	42
	Custom Nuts	43

ScrewRail® Linear Actuators

Overview	45
Part Number Construction	46
SRA Series: General Purpose	47
SRZ Series: Anti-Backlash	48
End Supports	49
SRA Selector Chart	50
SRZ Selector Chart	51

Spline Shafts, Rails and Bushings, Guides

Overview	52
Part Number Construction	52
Spline Shafts	53
Rails and Bushings	54

SECTION 2: STEPPER MOTOR LINEAR ACTUATORS

Stepper Motor Linear Actuators Product Summary	56
Standard End Machining	57
Lubrication Options	58
Stepper Motor Tutorial	59
• Resonance	71
• Drives	72
• Summary and Terminology	73

Hybrid Linear Actuators

Product Overview	75
Part Number Construction	76
Wiring/Stepping Sequence	77
21000 Series (Size 8)	88
28000 Series (Size 11)	82
28000 Series (Size 11) Double Stack	85
35000 Series (Size 14)	88
35000 Series (Size 14) High Resolution	92
35000 Series (Size 14) Double Stack	94
43000 Series (Size 17)	97
43000 Series (Size 17) High Resolution	101
43000 Series (Size 17) Double Stack	103
43000 Series (Size 17) IDEA Programmable Drive	106
57000 Series (Size 23)	108
57000 Series (Size 23) High Resolution	111
57000 Series (Size 23) Double Stack	113
57000 Series (Size 23) IDEA Programmable Drive	116
87000 Series (Size 34)	113

Hybrid Linear Actuators

Accessories and Options

• Integrated Connectors	121
• Encoders	122
• Home Position Switch	124
• Proximity Sensor	124
• TFE Option	124
• Custom Assemblies	124

Hybrid Dual Motion Actuators

Product Overview	125
Part Number Construction	125
35000 Series (Size 14) Dual Motion	126
43000 Series (Size 17) Dual Motion	127

Can-Stack Linear Actuators

Product Overview	129
Part Number Construction	130
Wiring/Stepping Sequence	131
G4 Series: High Performance	
• 19000 Series (Ø 20 mm)	132
• 25000 Series (Ø 25 mm)	136
• 37000 Series (Ø 36 mm)	140
15000 Series (Ø 15 mm)	144
20000 Series (Ø 20 mm)	146
• Z20000 Series (Ø 20 mm)	150
26000 Series (Ø 26 mm)	154
• Z26000 Series (Ø 26 mm)	158
• Extended Stroke Z26000 Series (Ø 26 mm)	160
• High Resolution 26000 Series (Ø 26 mm)	164
36000 Series (Ø 36 mm)	167
• High Resolution 36000 Series (Ø 36 mm)	171
46000 Series (Ø 46 mm)	174
High Temperature Can-Stacks	179
Options for Can-Stacks:	
• TFE Coated Lead-screws	180
• Switches / Proximity Sensors	181

Table of Contents

Can-Stack Rotary Actuators

Product Overview	183
Part Number Construction	183
Wiring/Stepping Sequence	184
Z20000 Rotary Series (Ø 20 mm)	185
26000 Rotary Series (Ø 26 mm)	187
Z26000 Rotary Series (Ø 26 mm)	190
36000 Rotary Series (Ø 36 mm)	193
46000 Rotary Series (Ø 46 mm)	196

Low Profile Pancake Motors and AC Synchronous Linear Actuators

80000 Pancake Rotary (Ø 80 mm)	200
Planetary Gear Train Pancake Rotary	201
AC Synchronous Hybrid Actuators	203
AC Synchronous Can-Stack Actuators	204
AC Synchronous Rotary Actuators	204

Stepper Motor Drives

IDEA Programmable Drive	
Features	206
Part Number Construction	206
• PCM4806E / PCM4826E	208
• ACM4806E / ACM4826E	209
• PCM7539E	210
• ACM7539E	211
• DCM4826X	212
DCM8027 & DCM8054 Micro-Stepping Drives	213
DCS4020 Bipolar Chopper Drive	214
44103 Whisper Drive	215

SECTION 3: MOTORIZED & NON-MOTORIZED LINEAR RAILS AND SLIDES

	Linear Rail Application Checklist	217
<hr/>		
Motorized BGS™ Linear Rails		
<hr/>		
	Overview	220
	Part Number Construction	220
	Selector Chart	221
	Size 11 Motorized BGS™	222
	Size 17 Motorized BGS™ includes IDEA™ Drive	223
	Size 23 Motorized BGS™ includes IDEA™ Drive	225
<hr/>		
Motorized RGS® Linear Rails		
<hr/>		
	Overview	226
	Part Number Construction	226
	Selector Chart	227
	Size 11 Motorized RGS®	228
	Size 17 Motorized RGS®	229
	Size 17 Motorized RGS® with IDEA™ Drive	231
	Size 23 Motorized RGS®	234
<hr/>		
Non-Motorized RGS® Linear Rails		
<hr/>		
	Part Number Construction	238
	RGS® Rapid Guide Screws	240
	RGW Rapid Guide Screws & Sensor Mounts	241
<hr/>		
Linear Guides		
<hr/>		
	Linear Guide Series	243
	Part Number Construction	243
<hr/>		
LRS™ Linear Rail Systems		
<hr/>		
	LRS™ Linear Rail Systems	245
	Part Number Construction	246
	LRS™ Motorized and Non-Motorized Slides	247
	LRS™ Motorized with IDEA Drive	249
<hr/>		
Linear Rail Checklist		
<hr/>		
	Linear Rail Application Checklist Form	252

Who We Are



Haydon Kerk Motion Solutions, Inc. • www.HaydonKerk.com • Phone: 800.243.2715 • International: 203.756.7441



AMETEK
PRECISION MOTION CONTROL

Recognized as a leader in motor miniaturization, Haydon™ Products Division has been building electric motors and stepper motor based linear actuators for almost half a century. The company's manufacturing facility, located on ten acres in the heart of Connecticut, supports today's most efficient technology and manufacturing methods and is ISO 9001 certified. **Kerk® Products Division was established in 1976 and has grown to be one of the world's largest exclusive manufacturers of non-ball lead screws, linear rails, and actuator systems.** Our internationally acclaimed anti-backlash designs and materials provide high accuracy, unsurpassed repeatability, and long life in a full range of motion control applications.

Haydon Kerk Motion Solutions is headquartered in Waterbury, CT, with additional manufacturing operations in Hollis and Milford, NH, and Changzhou, China. Haydon Kerk also has facilities in Germany and a technical center in Coueron, France.

Haydon Kerk Motion Solutions linear motion products are used in much of today's sophisticated medical equipment, laboratory instrumentation, machinery automation, aerospace, analytical equipment, computer peripherals, semiconductor industries, and other applications that require precision motion.

AMETEK® is a global leader in electronic instruments and electromechanical devices with colleagues at numerous manufacturing, sales and service locations in the US and in many other countries around the world.

AMETEK consists of 2 operating groups: **Electronic Instruments** and **Electromechanical**.

Electronic Instruments is a leader in advanced instruments for the process, aerospace, power, and industrial markets.

Electromechanical is a differentiated supplier of electrical interconnects, specialty metals, and technical motors and associated systems, as well as a leader in floor care and specialty motors.

Whether an application requires a standard item, custom design, new product, or a more sophisticated complete assembly, Haydon Kerk Motion Solutions experienced engineering team will assist you.



We take pride in our expertise in customizing products for specific application needs.

Sold & Serviced By:
 ELECTROMATE
Toll Free Phone (877) SERV098
Toll Free Fax (877) SERV099
www.electromate.com
sales@electromate.com



Lead-screw Assemblies

Overview of Lead-screw Assemblies

Haydon Kerk Motion Solutions, Inc. • www.haydonkerk.com • Phone: 800.243.2715 • International: 203.756.7441

Haydon Kerk Motion Solutions products have been designed specifically for motion control applications. They are not compromised adaptations of general purpose screws or nuts. The screw thread form is designed for maximum life, quiet operation, and compatibility with Haydon Kerk Motion Solutions anti-backlash nut designs.

KERK® LEAD-SCREWS are available in standard diameters from 1/8-in (3.2mm) to 15/16-in (23mm), with standard leads from .012-in to almost 4-in (0.30mm to 92mm) including hard metric and left hand threads. Custom sizes and leads can be special ordered. Most stock screws are manufactured from 303 stainless steel and are produced with Haydon Kerk Motion Solutions exclusive precision rolling process. Other materials are available on special order. Positional bi-directional repeatability (with Kerk anti-backlash nut) is within 50 micro-inches (1.25 micron) and standard lead accuracy is better than 0.0006-in./in. (mm/mm). Lead accuracies are available to .0001-in./in. (mm/mm). Haydon Kerk Motion Solutions total in-house manufacturing and quality control assure uniform and consistent products.



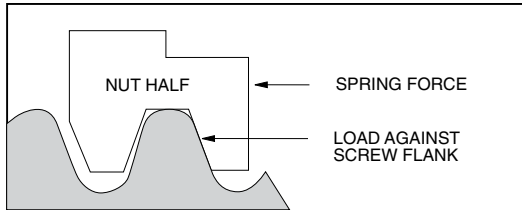
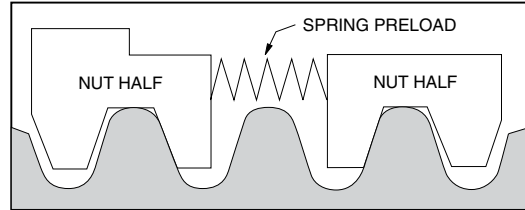
KERK® NUTS are available in 8 standard anti-backlash designs (CMP, ZBX, WDG, NTB, KHD, VHD, NTG, ZBA); general purpose BFW Series plus the Mini Series. (See Product Comparison Chart for size availability). Custom nut configurations and mountings are also readily available. The Kerk brand anti-backlash designs provide assemblies which are wear compensating with low frictional drag and exceptional positional repeatability. Operation to more than 300 million inches of travel can be achieved. Haydon Kerk Motion Solutions provides nuts in a wide range of wear resistant, self-lubricating thermoplastic materials.



Axial Take-up Mechanism

The standard method for taking up backlash is to bias two nut halves axially using some type of compliant spring. (Wavy washer, compression spring, rubber washer, etc.)

The unit is very stiff in the direction in which the nut half is loaded against the flank of the screw thread. However, in the direction away from the screw thread, the nut is only as axially stiff as the amount of preload which the spring exerts.

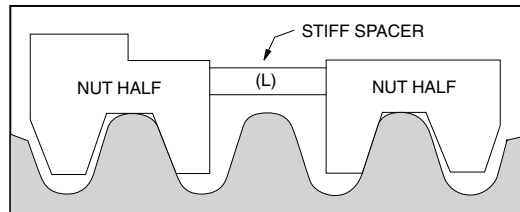


For example, if the maximum axial load to which the system is subjected is 50 lbs., the amount of spring preload must be equal to, or greater than, 50 lbs. in order to maintain intimate screw/nut contact. The problems arising from preloading in this manner are increased drag torque and nut wear.

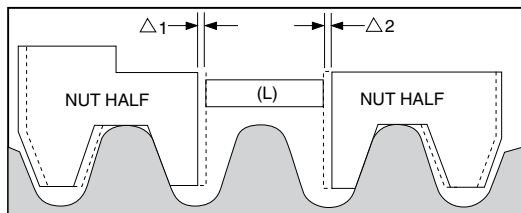
Obviously, the higher the load at the screw/nut interface, the higher the required torque to drive the nut on the screw and the more susceptible the unit is to nut wear.

An alternate method replaces the spring with a stiff spacer sized to fit exactly between the two nut halves.

There is no excessive preload force at the interface and the unit is capable of carrying high axial loads in either direction with no backlash.



This is fine initially. However, as use time increases, wear begins on the nut threads causing a gap to develop between the spacer (L) and the nut halves.



This gap ($\Delta 1 + \Delta 2$) is now the amount of backlash which has developed in the unit. This backlash can be removed by replacing the stiff spacer with a new spacer equal to $(L + \Delta 1 + \Delta 2)$. This process, although effective, would be extremely costly and difficult to implement on a continuous basis.

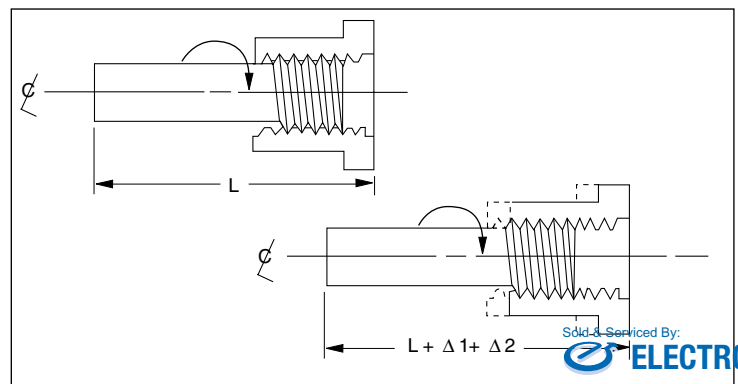
The Solution

What is needed, then, is a stiff spacer which will continually expand to accommodate the wear which occurs during use.

This is done by creating a spacer threaded at one end with a complimentary nut torsionally biased to advance when a gap develops.

The thread at the end of the spacer is a fine helix such that an axial load will not backdrive the nut once spacer growth has occurred.

The preload on the unit is only the amount necessary to turn the spacer nut on the spacer rod and is independent of the external system loadings. We thus have a self-wear compensating unit which has extremely low frictional drag torque yet high axial stiffness.





Kerkote[®] and Black Ice[™] TFE Coatings

Haydon Kerk Motion Solutions, Inc. offers multiple options for lubrication. All Kerk[®] lead-screw nuts feature self-lubricating polymers. When maximum performance is required, Kerkote[®] and Black Ice[™] TFE coatings provide unmatched results in the most demanding applications.

The purpose of TFE coating is to supply a more even distribution of lubricant than is normally found when using standard self-lubricating plastics on steel. The wear life, coefficient of friction and resulting torque to drive a lead screw assembly are highly governed by the ability of the engineered plastic to supply sufficient lubrication to the nut/screw interface. The inability of the internal lubricating agents in some plastics to consistently migrate to the surface may result in erratic drag torques and unpredictable wear.

Kerkote[®] TFE Coating

Kerkote TFE coating covering the entire screw surface results in an extremely even lubrication distribution. Test results indicate system torque requirements are consistently low with little or no change in required frictional driving torque, even with changes in motor R.P.M. Haydon Kerk Motion Solutions has developed a custom composition Kerkote TFE specifically for our lead screw and nut materials. It is applied using an automated process and provides extended nut life and smooth operation with little additional cost.

Kerkote TFE is a soft coating, a long-term dry lubricant that is optimized for softer plastics like acetals and nylons, with or without mechanical reinforcement. Lubrication to the nut/screw interface occurs by the nut picking up Kerkote TFE particles from the coating as well as from the migration of the internal lubricant within the plastic nut. Although care is taken to ensure that chips and voids do not occur in the coating, small voids have been shown to have no effect on system performance. The transfer of TFE to the nut continues throughout the operating life of the assembly as long as the nut periodically travels over areas with Kerkote TFE coating. The lubricant, although solid, also has some “spreading” ability as in fluid lubricants. Kerkote TFE coated screws provide the maximum level of self-lubrication and should not be additionally lubricated or used in environments where oils or other lubricant contamination is possible.

Black Ice[™] TFE Coating

Black Ice TFE coating shares many of the benefits of Kerkote TFE but, in contrast, is a hard coating that offers exceptional durability in all types of environments, with virtually any type of polymer nut. Black Ice TFE coating remains on the screw, offering a low friction surface upon which the nut travels. Rather than acting as a dry lubricant, Black Ice TFE is an anti-friction coating whose surface properties displace the metal to which it is applied. Though it is not intended for use with metal or glass fiber reinforced nuts, Black Ice TFE is bonded securely to the screw’s surface and can withstand abrasion from contamination, rigid polymer systems, fluid impingement and wash down applications. Black Ice TFE can be used in the presence of more aggressive environment conditions, or anywhere reduced friction and a permanent coating is desired.

Both Kerkote and Black Ice TFE coatings offer the advantages of dry lubrication. These are maintenance-free coatings that are designed to last the life of the product. They are intended to be used without additional lubricants, thereby further increasing the value of Kerk lead-screw assemblies through elimination of the most common failure of screw driven drives, lubrication failure.

There are certain applications where external lubrication may be desired. These include the use of nut materials such as glass reinforced plastic or metal. Greases, when used properly can provide unique capabilities and Haydon Kerk Motion Solutions does offer a selection of greases developed specifically for these applications. Please contact a sales engineer for assistance selecting the best lubricant for your requirements.



303 Stainless Steel

Kerk® brand lead-screws and linear rails start with premium grade 303 stainless steel. Haydon Kerk Motion Solutions, Inc. has identified the material properties most critical for producing the very high quality rolled steel screws in the world and controls these to levels unmatched in the industry. Because of our leadership position, we are able to utilize this exceptional quality steel without having to charge premium prices.

Kerk stainless steel lead-screws and guide rails are corrosion resistant, non-magnetic, and compatible with many demanding processes. The ideal starting point for a maintenance-free product, this premium quality stainless steel is being used in numerous applications including medical applications, clean rooms, food and human contact, salt spray, cryogenics and vacuum.

Kerkite® Composite Polymers

In addition to the Kerk® self-lubricating acetal nut material, Haydon Kerk Motion Solutions offers a variety of custom compounded Kerkite composite polymers. Kerkite polymers are a family of high performance materials that offer exceptional wear properties with the cost and design advantages afforded through injection molding. Kerkite polymers offer a variety of mechanical, thermal and electrical properties and are compatible with many chemicals and environmental conditions.

Kerkite Composite Polymers are available options for most Kerk Lead-screw Nuts and are standard materials for Linear Rail and Spline Shaft bushings, RGS® Carriages and Screwrail® Bushings and End Supports. Each member of the Kerkite family is compounded with lubricants, reinforcements and thermoplastic polymers formulated to provide optimum performance in its target conditions and applications, resulting in superior performance and extended life.

A cornerstone of the Haydon Kerk Motion Solutions advantage is design flexibility. Kerkite Composite Polymers, along with our injection molding and mold making capabilities, offer huge design advantages and cost savings compared with non-moldable materials. Kerkite high performance polymers outperform other plastics and outlast metal bushings and bearings. When combined with Kerkote® or Black Ice™ TFE coatings, Kerkite Composite Polymers have been shown to provide hundreds of millions of inches of travel in customer applications while continuing to maintain precise, accurate motion and positioning.



Special Materials

In addition to the Kerk standard material – 303 stainless steel, self lubricating acetal and Kerkite high performance composite polymers – we also work with a vast array of custom materials. Kerk has rolled screws in many other materials, including 316 stainless, 400 series stainless, precipitate hardening materials, carbon steel, aluminum, and titanium. Kerk nuts had been produced in many alternative plastics including PEEK, polyester, Torlon®, Vespel®, PVDF, UHMW, Ertalyte® and customer-supplied specialty materials. We have also provided metal nuts made from bronze, brass, and stainless steel.

With so much flexibility in our manufacturing process, if the material can be molded, machined, ground, or rolled, Haydon Kerk Motion Solutions can likely process it using state of the art machine tools, injection molding and mold making, grinding and thread rolling equipment. Haydon Kerk Motion Solutions excels at supplying the best overall solution to meet our customers' requirements. Contact Haydon Kerk Motion Solutions to find out how you can benefit from these choices.

Lead-screw Assemblies: Design & Engineering Data

Haydon Kerk Motion Solutions, Inc. • www.HaydonKerk.com • Phone: 800.243.2715 • International: 203.756.7441

LEAD-SCREW TECHNOLOGIES

Design and Engineering Data

Screw Accuracy

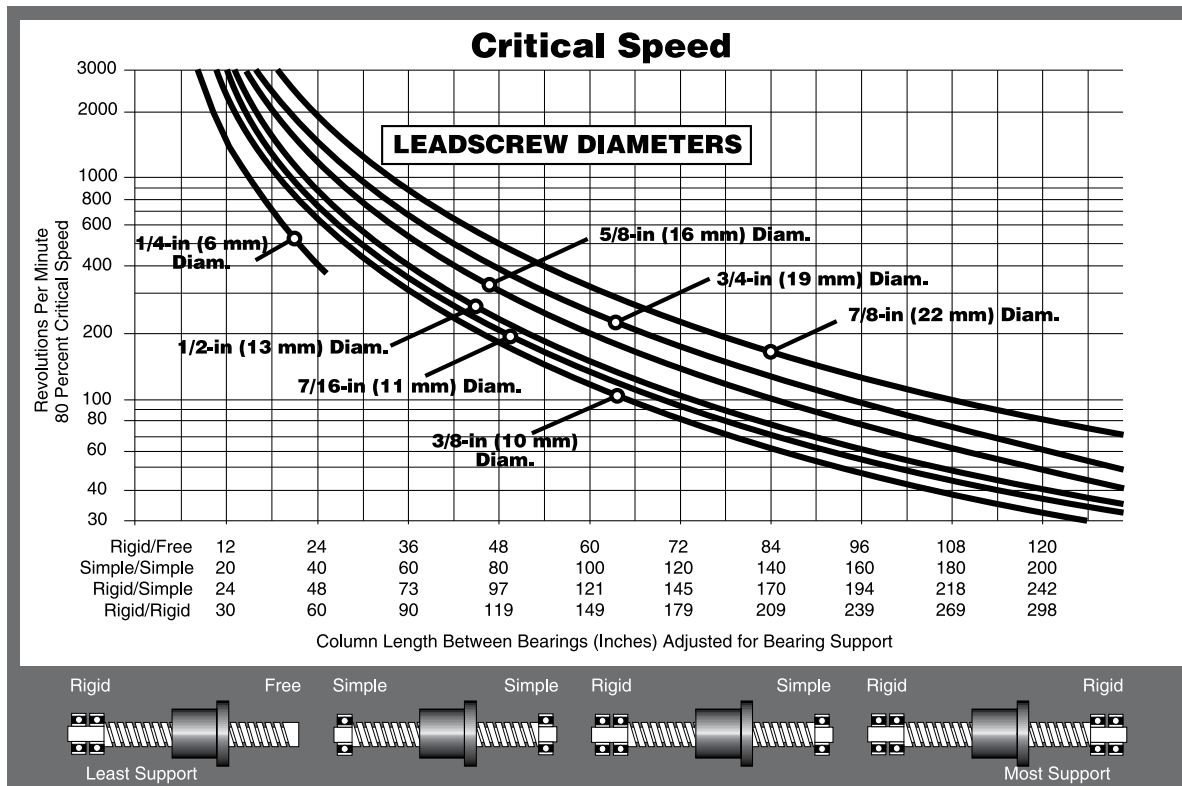
Haydon Kerk Motion Solutions, Inc uses a unique precision rolling process for screw manufacturing. Standard lead accuracy for Kerk screws is .0006 in./in. (mm/mm). Lead accuracies are available up to .0001 in./in. (mm/mm). Please consult the factory for higher lead accuracies. Assemblies have an extremely high bi-directional repeatability of 50 micro-inches (1.25 micron).

End Machining

Haydon Kerk Motion Solutions can custom machine screws to your specifications or provide cut-to-length screws for your own machining.

Critical Speed

This is the rotational speed at which a screw may experience vibration or other dynamic problems. See CRITICAL SPEED CHART to determine if application parameters result in speed approaching critical. To minimize critical speed problems: use a longer lead, choose a larger diameter or increase bearing mount support.



Lengths

Lengths can be specified up to 12 ft. (4M) from stock, (depending on diameter and lead). Cut to length screws are offered in 6-in increments (6-in, 12, 18,...) +1.0-in/-0-in.

Lead

Advancement per revolution. All screws are listed by lead, not pitch.

Lead = Pitch x Number of Starts

Pitch

Crest-to-crest distance or one divided by threads per inch. (On a multiple start thread, the pitch equals the lead divided by the number of starts.)

Traverse Speed

The nut materials we use provide long wear-life over a wide variety of conditions. However, very high loads and/or speeds will accelerate nut wear. Special materials may be required for these situations. We offer the following guidelines for continuous duty linear traversing speeds for optimum life:

Lead	Traverse Speed	Lead	Traverse Speed
1/10 - 1/2-in	4-in/sec.	1 - 12 mm	100 mm/sec.
1/2 - 1-in	10-in/sec.	12 - 25 mm	250 mm/sec.
1 - 2 1/2-in	30-in/sec.	25 - 60 mm	760 mm/sec.

Maximum Load

Although the Kerk® Anti-Backlash Assemblies are capable of withstanding relatively high loads without catastrophic failure, these units have been designed to operate under the loading shown in the size charts.

Efficiency

Efficiency is the relationship of work input to work output. It should not be confused with mechanical advantage. Listed efficiencies are theoretical values based on Kerkote® TFE coated screws.

Torque

The required motor torque to drive a lead screw assembly is the sum of three components: the **inertial torque**, **drag torque**, and **torque-to-move load**. It must be noted that this is the torque necessary to drive the lead screw assembly alone. Additional torque associated with driving frictional bearings and motor shafts, moving components, and drag due to general assembly misalignment must also be considered.

Inertial Torque:

$$T_J = I \alpha \quad \text{Where } I = \text{screw inertia} \\ \alpha = \text{angular acceleration}$$

Drag Torque:

The Kerk Anti-Backlash Assemblies are typically supplied with drag torque of 1 to 7 oz.-in. The magnitude of the drag torque is dependent on the standard factory settings or settings specified by the customer. Generally, the higher the preset force, the better the Anti-Backlash characteristics.

Torque-to-Move:

$$T_L = \frac{\text{LOAD} \times \text{LEAD}}{2\pi \times \text{EFFICIENCY}}$$

Back Driving

Sometimes referred to as reversibility, back driving is the ability of a screw to be turned by a thrust load applied to the nut. Generally, back driving will not occur when the screw lead is less than 1/3 the diameter for uncoated screws or 1/4 the diameter for Kerkote® TFE coated screws. For higher leads where back driving is likely, the torque required for holding a load is:

$$T_b = \frac{\text{LOAD} \times \text{LEAD} \times \text{BACKDRIVE EFFICIENCY}}{2\pi}$$

Screw Straightness

Screw straightness is measured as Total Indicator Runout (TIR). The standard straightness for lead screws is .003-in/ft. Haydon Kerk Motion Solutions can provide tighter specifications on customer request.

All screws are hand straightened before shipping.

Mechanical Properties

Screw Inertia

Screw Size inch (mm)	Screw Inertia (oz-inch sec ² /inch)
5/64 (2)	3.4 x 10 ⁻⁸
1/8 (3.2)	1.8 x 10 ⁻⁷
9/64 (3.5)	3.4 x 10 ⁻⁷
5/32 (3.97)	4.9 x 10 ⁻⁷
3/16 (4.76)	1.1 x 10 ⁻⁶
7/32 (5.55)	1.8 x 10 ⁻⁶
1/4 (6)	.3 x 10 ⁻⁵
5/16 (8)	5 x 10 ⁻⁵
3/8 (10)	1.5 x 10 ⁻⁵
7/16 (11)	3.5 x 10 ⁻⁵
1/2 (13)	5.2 x 10 ⁻⁵
5/8 (16)	14.2 x 10 ⁻⁵
3/4 (19)	30.5 x 10 ⁻⁵
7/8 (22)	58.0 x 10 ⁻⁵
15/16 (24)	73.0 x 10 ⁻⁵

Anti-Backlash Life

Series	Without Kerkote® TFE Coating inch (cm)	With Kerkote® TFE Coating inch (cm)
CMP	40 to 60 million (100 to 150 million)	150 to 200 million (380 to 500 million)
ZBA	5 to 10 million (12 to 25 million)	15 to 40 million (38 to 100 million)
ZBX	40 to 60 million (100 to 150 million)	150 to 200 million (380 to 500 million)
KHD	80 to 100 million (200 to 250 million)	180 to 230 million (450 to 580 million)
WDG	100 to 125 million (250 to 315 million)	200 to 250 million (500 to 635 million)
NTB	100 to 125 million (250 to 315 million)	200 to 250 million (500 to 635 million)
VHD	200 to 225 million (500 to 570 million)	300 to 350 million (760 to 880 million)
BFW	N/A, Typical Backlash .003 to .010 (.076 to .25)	N/A, Typical Backlash .003 to .010 (.076 to .25)
NTG	5 to 10 million (12 to 25 million)	15 to 40 million (38 to 100 million)

Anti-backlash life is defined as the nut's ability to compensate for wear while maintaining its zero backlash properties. Above life data is based on 25% of the dynamic load rating. NTB style does not include mini series sizes. Life will vary with loading, operating environment, and duty cycle. The longer screw leads generally provide longer life.

Dimensional Tolerances

Inch		Metric	
.X	± .02	< L 4	± 0.1
.XX	± .010	4 < L ≤ 16	± 0.15
.XXX	± .005	16 < L ≤ 63	± 0.2
		63 < L ≤ 250	± 0.3

Grease Compatibility Chart

Nut Type	Lubrication Coatings		
	Grease	Kerkote®	Black Ice™
CMP	Yes	Yes	Yes
ZBX	Yes	Yes	Yes
ZBA	Yes	Yes	Yes
KHD	No	Yes	Yes
VHD	No	Yes	Yes
WDG	No	Yes	Yes
BFW	Yes	Yes	Yes
NTB	No	Yes	Yes
NTG	Yes	Yes	Yes

Mechanical Properties

Lead-screw

Material	Surface Finish
303 Stainless Steel (options available)	Better than 16 micro inch

Nuts

Material	Tensile Strength	Coefficient of Expansion
Polyacetal with Lubricating Additive	9,700 psi	6.0 x 10 ⁻⁵ in/in/°F

Assembly

Standard Operating Temp. Range **Coefficient of Friction Nut to Screw**

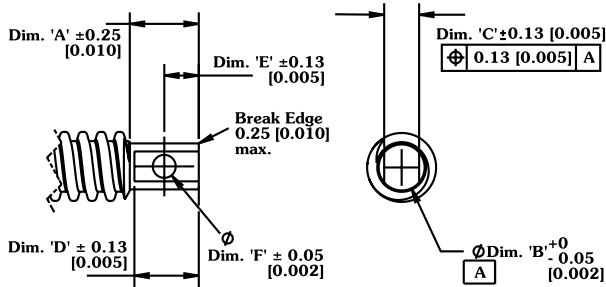
32 - 200° F* (0 - 93° C)*	Static = .08 .08 ** Dynamic = .15 .09 **
------------------------------	---

* Very high or low temperatures may cause significant changes in the nut fit or drag torque. Please call Haydon Kerk Motion Solutions™ for optional temperature range materials.

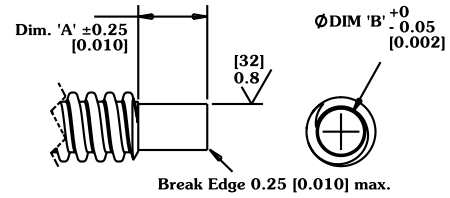
** with Kerkote® TFE Coating

Standard End Machining

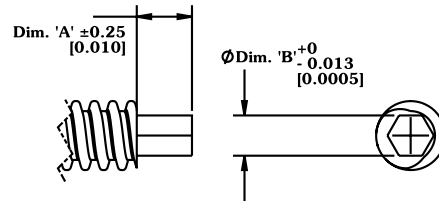
Cross Drilled Hole



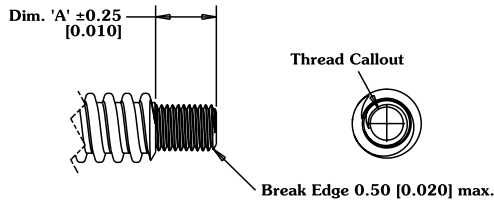
Turned Journal



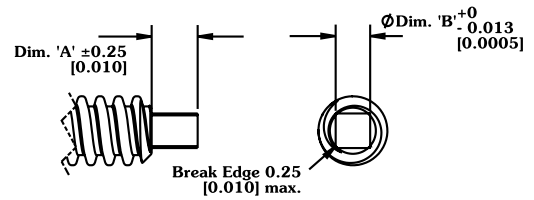
Hex Drive End



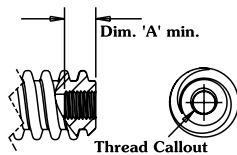
Male Thread



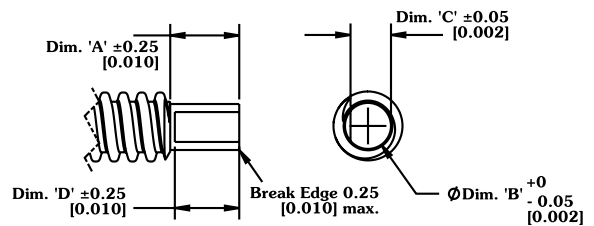
Square End



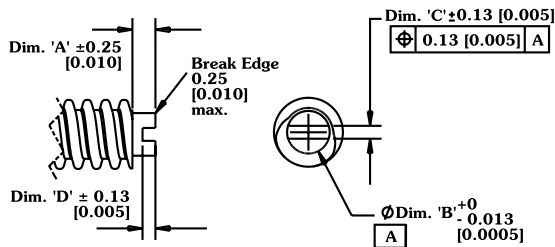
Female Thread



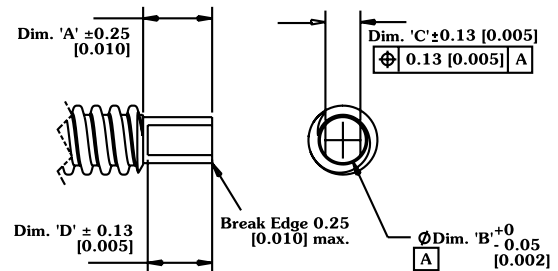
Single Flat



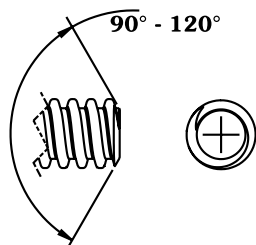
Screwdriver Slot



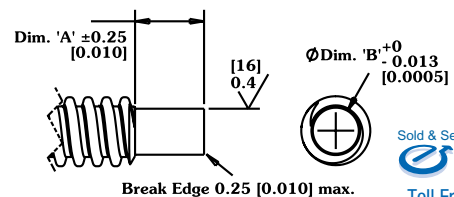
Double Flat

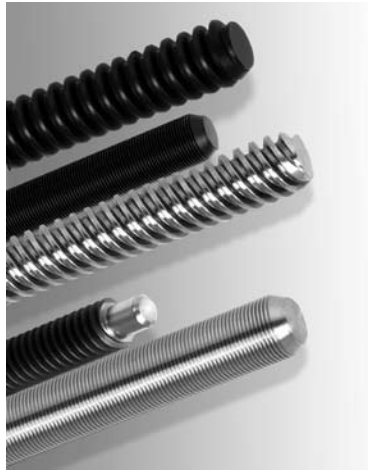


Standard Break Edge



Ground Journal





LEAD-SCREW ASSEMBLIES

Kerk® Lead-screws

KERK® LEAD-SCREWS are available in standard diameters from 1/8-in (3.2mm) to 15/16-in (23mm), with standard leads from .012-in to almost 4-in (0.30mm to 92mm) including metric and left hand threads. Custom sizes and leads can be special ordered. Most stock screws are manufactured from 303 stainless steel and are produced with Haydon Kerk Motion Solutions exclusive precision rolling process. Other materials are available on special order. Positional bi-directional repeatability (with Kerk anti-backlash nut) is within 50 micro-inches (1.25 micron) and standard lead accuracy is better than 0.0006-in./in. (mm/mm). Lead accuracies are available to .0001-in./in. (mm/mm). Please consult factory for more details. Haydon Kerk Motion Solutions total in-house manufacturing and quality control assure uniform and consistent products.

Identifying the part number codes when ordering

ZBX	F	K	R	012	0012	XXXX
Prefix:	Nut Mounting Style	Lubrication	Thread Direction	Diameter Code	Nominal Thread Lead Code	Unique Identifier
LSS (Screw Only)	A = Flanged (Triangular) F = Flanged (Round) P = Flange (Triangular with pilot) T = Threaded S = Screw only	S = Uncoated K = Kerkote® TFE Coating G = Grease HSS-17 Standard N = Nut only	R = Right hand L = Left hand (Refer to lead-screw charts for availability)	(Refer to lead-screw charts)	(Refer to lead-screw charts)	Proprietary suffix assigned to a specific customer application. The identifier can apply to either a standard or custom part.
Nut Series	For Micro and Mini Nuts Only: B = Barrel R = Rectangular					
CMP ZBX WDG NTB KHD VHD NTG ZBA BFW						

EXAMPLES:

LSSSR-025-0250 = Lead-screw only, uncoated, right hand thread, 1/4-in nominal screw diameter, 0.250 thread lead, without an assigned unique identifier

WDGABR-037-0125-XXXX = Assembly: WDG Series Nut, triangular flanged mount, Black Ice™ TFE coating, right hand thread, 3/8-in nominal screw diameter, 0.125 thread lead, without an assigned unique identifier

ZBXTKR-043-0250-XXXX = Assembly: ZBX Series Nut, thread mounting, Kerkote® TFE coating, right hand thread, 7/16-in nominal screw diameter, 0.250 thread lead, without an assigned unique identifier

Special environments (temperature, clean room, contaminants, etc.)

For applications assistance or order entry, call your the Haydon Kerk Motion Solutions Engineering at 603.465.7227.

NOTE:

- Not all thread leads are available in all screw diameters
- New nuts and leads are continually being added. Contact Haydon Kerk Motion Solutions for latest availability.

Lead-screw Size List

Diameter (inches) (mm)	Diameter Code	Lead (inches) (mm)	LEAD CODE	Left Hand Available	Outside Diameter (for Reference)		Root Diameter (for Reference)		Efficiency %*	Compatible Nut Styles		
					(inches)	(mm)	(inches)	(mm)				
5/64	2	008	0.012	0.30	0012		0.079	2.01	0.068	1.73	24**	BFW
			0.016	0.40	0016		0.075	1.91	0.058	1.47	30**	
			0.020	0.50	0020		0.077	1.96	0.057	1.45	36**	
			0.039	1.00	0039		0.079	2.01	0.059	1.50	52**	
			0.079	2.00	0079		0.077	1.96	0.057	1.45	66**	
1/8	3.2	012	0.024	0.61	0024		0.129	3.28	0.093	2.36	44	NTB NTG BFW
			0.039	1.00	0039		0.129	3.28	0.094	2.39	57	
			0.048	1.22	0048		0.129	3.28	0.093	2.36	61	
			0.075	1.91	0075		0.129	3.28	0.093	2.36	70	
			0.096	2.44	0096	●	0.129	3.28	0.093	2.36	75	
			0.125	3.18	0125	LH Only	0.125	3.18	0.078	1.98	80	
0.132	3.3	013	0.020	0.50	0020		0.132	3.35	0.104	2.64	42	NTB NTG BFW
			0.039	1.00	0039		0.132	3.35	0.080	2.03	61	
			0.079	2.00	0079		0.132	3.35	0.080	2.03	75	
			0.157	4.00	0157		0.132	3.35	0.080	2.03	84	
			0.315	8.00	0315		0.132	3.35	0.080	2.03	87	
9/64	3.6	014	0.012	0.30	0012		0.140	3.56	0.123	3.12	26	NTB NTG BFW
			0.024	0.61	0024		0.140	3.56	0.105	2.67	43	
			0.048	1.22	0048		0.140	3.56	0.081	2.06	62	
			0.096	2.44	0096		0.140	3.56	0.081	2.06	75	
			0.394	10.00	0394		0.140	3.56	0.102	2.59	86	
5/32	4	016	0.033	0.84	0033	●	0.156	3.96	0.116	2.95	45	NTB NTG BFW
			0.050	1.27	0050	LH Only	0.156	3.96	0.096	2.44	59	
			0.094	2.39	0094		0.164	4.17	0.128	3.25	67	
			0.125	3.18	0125		0.168	4.27	0.130	3.30	74	
			0.250	6.35	0250		0.156	3.96	0.130	3.30	83	
			0.375	9.53	0375		0.156	3.96	0.130	3.30	85	
3/16	5	018	0.020	0.50	0020		0.188	4.78	0.163	4.14	30	CMP WDG NTB NTG BFW
			0.025	0.64	0025		0.188	4.78	0.150	3.81	39	
			0.039	1.00	0039		0.188	4.78	0.144	3.66	47	
			0.050	1.27	0050		0.188	4.78	0.124	3.15	58	
			0.100	2.54	0100		0.188	4.78	0.136	3.45	69	
			0.1875	4.76	0188		0.188	4.78	0.167	4.24	78	
			0.200	5.08	0200		0.188	4.78	0.124	3.15	82	
			0.375	9.53	0375		0.188	4.78	0.161	4.09	84	
			0.400	10.16	0400		0.188	4.78	0.124	3.15	84	
			0.427	10.85	0427		0.188	4.78	0.162	4.11	85	
7/32	5.6	021	0.024	0.61	0024		0.218	5.54	0.181	4.60	31	WDG NTB NTG BFW
			0.03125	0.79	0031		0.204	5.18	0.160	4.06	39	
			0.048	1.22	0048		0.216	5.49	0.156	3.96	50	
			0.050	1.27	0050		0.200	5.08	0.135	3.43	52	
			0.0625	1.59	0063		0.218	5.54	0.142	3.61	60	
			0.096	2.44	0096		0.218	5.54	0.156	3.96	66	
			0.192	4.88	0192		0.218	5.54	0.156	3.96	78	
			0.250	6.35	0250	●	0.204	5.18	0.140	3.56	81	
			0.384	9.75	0384		0.218	5.54	0.159	4.04	86	

Shaded areas have been translated from their designed inch or mm dimension to an equivalent mm or inch dimension.

* Listed efficiencies are theoretical values based on Kerkote® TFE coated lead-screws

** Listed efficiencies for Micro screws are theoretical values based on non-coated lead-screws

ELECTROMATE
Toll Free Phone (877) SERV098
Toll Free Fax (877) SERV099
www.electromate.com
sales@electromate.com

Lead-screws: Lead-screw Size List

Haydon Kerk Motion Solutions, Inc. • www.HaydonKerk.com • Phone: 800.243.2715 • International: 203.756.7441

Lead-screw Size List

Diameter (inches) (mm)		Diameter Code	Lead (inches) (mm)		LEAD CODE	Left Hand Available	Outside Diameter (for Reference) (inches) (mm)		Root Diameter (for Reference) (inches) (mm)		Efficiency %*	Compatible Nut Styles
1/4	6	025	0.024	0.61	0024		0.250	6.35	0.218	5.54	28	CMP ZBX ZBA WDG NTB NTG BFW
			0.025	0.64	0025		0.250	6.35	0.214	5.44	30	
			0.03125	0.79	0031		0.250	6.35	0.208	5.28	34	
			0.039	1.00	0039		0.250	6.35	0.190	4.83	40	
			0.048	1.22	0048		0.250	6.35	0.190	4.83	45	
			0.050	1.27	0050	●	0.250	6.35	0.191	4.85	46	
			0.059	1.50	0059		0.250	6.35	0.172	4.37	52	
			0.0625	1.59	0063		0.250	6.35	0.170	4.32	52	
			0.079	2.00	0079		0.250	6.35	0.170	4.32	59	
			0.096	2.44	0096		0.250	6.35	0.190	4.83	61	
			0.100	2.54	0100		0.250	6.35	0.190	4.83	62	
			0.118	3.00	0118		0.250	6.35	0.175	4.45	68	
			0.125	3.18	0125		0.250	6.35	0.190	4.83	67	
			0.197	5.00	0197		0.250	6.35	0.172	4.37	72	
			0.200	5.08	0200		0.250	6.35	0.170	4.32	65	
			0.250	6.35	0250	●	0.250	6.35	0.168	4.27	79	
			0.3125	7.94	0313		0.250	6.35	0.184	4.67	81	
			0.333	8.46	0333		0.250	6.35	0.170	4.32	82	
0.394	10.00	0394		0.250	6.35	0.170	4.32	78				
0.400	10.16	0400		0.250	6.35	0.170	4.32	84				
0.500	12.70	0500	●	0.250	6.35	0.169	4.29	85				
0.750	19.05	0750		0.250	6.35	0.170	4.32	86				
1.000	25.40	1000	●	0.250	6.35	0.170	4.32	84				
5/16	8	031	0.039	1.00	0039		0.315	8.00	0.261	6.63	34	CMP ZBX ZBA KHD WDG NTB NTG BFW
			0.057	1.44	0057		0.315	8.00	0.243	6.17	43	
			0.0741	1.88	0074		0.312	7.92	0.211	5.36	51	
			0.111	2.82	0111		0.312	7.92	0.232	5.89	60	
			0.167	4.24	0167		0.312	7.92	0.211	5.36	69	
			0.250	6.35	0250		0.312	7.92	0.234	5.94	76	
			0.500	12.70	0500		0.312	7.92	0.232	5.89	83	
			0.800	20.32	0800		0.306	7.77	0.243	6.17	86	

Shaded areas have been translated from their designed inch or mm dimension to an equivalent mm or inch dimension.

*Listed efficiencies are theoretical values based on Kerkote® TFE coated lead-screws



Lead-screw Size List

Diameter (inches) (mm)	Diameter Code	Lead (inches) (mm)	LEAD CODE	Left Hand Available	Outside Diameter (for Reference)		Root Diameter (for Reference)		Efficiency %*	Compatible Nut Styles		
					(inches)	(mm)	(inches)	(mm)				
3/8	10	037	0.025	0.64	0025		0.375	9.53	0.337	8.56	21	CMP ZBX ZBA KHD WDG NTB NTG BFW
			0.039	1.00	0039		0.394	10.01	0.350	8.89	28	
			0.04167	1.06	0042		0.375	9.53	0.320	8.13	34	
			0.050	1.27	0050	●	0.375	9.53	0.301	7.65	36	
			0.055	1.40	0055		0.375	9.53	0.303	7.70	38	
			0.059	1.50	0059	●	0.389	9.88	0.313	7.95	38	
			0.068	1.73	0068		0.388	9.86	0.295	7.49	42	
			0.079	2.00	0079		0.375	9.53	0.264	6.71	47	
			0.0833	2.12	0083		0.375	9.53	0.293	7.44	48	
			0.100	2.54	0100	●	0.375	9.53	0.266	6.76	53	
			0.125	3.18	0125		0.375	9.53	0.295	7.49	59	
			0.157	4.00	0157		0.375	9.53	0.274	6.96	65	
			0.1667	4.23	0167		0.371	9.42	0.261	6.63	61	
			0.197	5.00	0197		0.375	9.53	0.266	6.76	69	
			0.200	5.08	0200	●	0.375	9.53	0.266	6.76	69	
			0.250	6.35	0250		0.375	9.53	0.268	6.81	70	
			0.300	7.62	0300		0.375	9.53	0.255	6.48	76	
			0.333	8.46	0333		0.375	9.53	0.245	6.22	78	
			0.363	9.22	0363	●	0.375	9.53	0.260	6.60	79	
			0.375	9.53	0375		0.375	9.53	0.265	6.73	79	
0.394	10.00	0394		0.375	9.53	0.260	6.60	79				
0.400	10.16	0400		0.375	9.53	0.293	7.44	79				
0.472	12.00	0472		0.388	9.86	0.287	7.29	82				
0.500	12.70	0500	●	0.388	9.86	0.265	6.73	81				
0.667	16.94	0667		0.375	9.53	0.273	6.93	83				
0.750	19.05	0750		0.388	9.86	0.273	6.93	84				
0.984	25.00	0984		0.375	9.53	0.262	6.65	84				
1.000	25.40	1000		0.383	9.73	0.254	6.45	84				
1.200	30.48	1200	●	0.383	9.73	0.254	6.45	84				
1.250	31.75	1250		0.375	9.53	0.278	7.06	84				
1.500	38.10	1500		0.375	9.53	0.264	6.71	83				
7/16	11	043	0.050	1.27	0050		0.437	11.10	0.362	9.19	30	ZBX ZBA WDG NTB BFW
			0.0625	1.59	0063	●	0.436	11.07	0.358	9.09	38	
			0.079	2.00	0079		0.472	11.99	0.374	9.50	42	
			0.111	2.82	0111		0.437	11.10	0.327	8.31	52	
			0.118	3.00	0118		0.438	11.13	0.363	9.22	52	
			0.125	3.18	0125		0.438	11.13	0.357	9.07	54	
			0.197	5.00	0197		0.438	11.13	0.315	8.00	65	
			0.236	6.00	0236		0.433	11.00	0.313	7.95	70	
			0.250	6.35	0250		0.442	11.23	0.325	8.26	70	
			0.307	7.80	0307		0.445	11.30	0.343	8.71	73	
			0.325	8.26	0325		0.444	11.28	0.342	8.69	74	
			0.394	10.00	0394		0.446	11.33	0.331	8.41	78	
			0.472	12.00	0472		0.438	11.13	0.318	8.08	80	
			0.500	12.70	0500		0.452	11.48	0.327	8.31	80	
0.615	15.62	0615		0.475	12.07	0.376	9.55	82				

Shaded areas have been translated from their designed inch or mm dimension to an equivalent mm or inch dimension.

*Listed efficiencies are theoretical values based on Kerkote® TFE coated lead-screws

LEAD-SCREW
ASSEMBLIES

Lead-screws: Lead-screw Size List

Haydon Kerk Motion Solutions, Inc. • www.HaydonKerk.com • Phone: 800.243.2715 • International: 203.756.7441

Lead-screw Size List

Diameter (inches) (mm)		Diameter Code	Lead (inches) (mm)		LEAD CODE	Left Hand Available	Outside Diameter (for Reference) (inches) (mm)		Root Diameter (for Reference) (inches) (mm)		Efficiency %*	Compatible Nut Styles
1/2	13	050	0.050	1.27	0050		0.495	12.57	0.433	11.00	29	ZBX ZBA WDG NTB VHD BFW
			0.079	2.00	0079		0.473	12.01	0.355	9.02	41	
			0.098	2.50	0098		0.500	12.70	0.383	9.73	46	
			0.100	2.54	0100	●	0.490	12.45	0.364	9.25	46	
			0.125	3.18	0125		0.500	12.70	0.374	9.50	51	
			0.157	4.00	0157		0.500	12.70	0.384	9.75	58	
			0.160	4.06	0160		0.500	12.70	0.388	9.86	67	
			0.1667	4.23	0167		0.500	12.70	0.384	9.75	58	
			0.197	5.00	0197		0.500	12.70	0.365	9.27	62	
			0.200	5.08	0200	●	0.492	12.50	0.366	9.30	63	
			0.250	6.35	0250		0.500	12.70	0.382	9.70	67	
			0.333	8.46	0333	●	0.497	12.62	0.362	9.19	73	
			0.394	10.00	0394		0.497	12.62	0.362	9.19	76	
			0.400	10.16	0400		0.497	12.62	0.364	9.25	76	
			0.500	12.70	0500		0.488	12.40	0.352	8.94	79	
			0.630	16.00	0630		0.500	12.70	0.374	9.50	80	
			0.750	19.05	0750		0.525	13.34	0.399	10.13	83	
			0.800	20.32	0800		0.500	12.70	0.370	9.40	83	
			0.984	25.00	0984		0.500	12.70	0.369	9.37	84	
1.000	25.40	1000	●	0.490	12.45	0.372	9.45	84				
1.500	38.10	1500		0.490	12.45	0.374	9.50	85				
2.000	50.80	2000		0.488	12.40	0.378	9.60	87				
5/8	16	062	0.100	2.54	0100		0.615	15.62	0.498	12.65	40	ZBX ZBA NTB VHD BFW
			0.125	3.18	0125	●	0.625	15.88	0.470	11.94	45	
			0.200	5.08	0200		0.625	15.88	0.495	12.57	53	
			0.250	6.35	0250		0.625	15.88	0.469	11.91	63	
			0.315	8.00	0315		0.627	15.93	0.493	12.52	68	
			0.500	12.70	0500	●	0.625	15.88	0.478	12.14	76	
			0.630	16.00	0630		0.625	15.88	0.491	12.47	78	
			1.000	25.40	1000		0.625	15.88	0.481	12.22	83	
			1.500	38.10	1500		0.625	15.88	0.499	12.67	85	
2.000	50.80	2000	●	0.625	15.88	0.499	12.67	86				

Shaded areas have been translated from their designed inch or mm dimension to an equivalent mm or inch dimension.

*Listed efficiencies are theoretical values based on Kerkote[®] TFE coated lead-screws

Lead-screw Size List

Diameter (inches) (mm)	Diameter Code	Lead (inches) (mm)		LEAD CODE	Left Hand Available	Outside Diameter (for Reference) (inches) (mm)		Root Diameter (for Reference) (inches) (mm)		Efficiency %*	Compatible Nut Styles	
3/4	19	075	0.0625	1.59	0063		0.750	19.05	0.671	17.04	25	ZBA NTB VHD BFW
			0.098	2.50	0098		0.742	18.85	0.626	15.90	35	
			0.100	2.54	0100	●	0.746	18.95	0.624	15.85	35	
			0.1667	4.23	0167		0.727	18.47	0.645	16.38	47	
			0.197	5.00	0197		0.745	18.92	0.624	15.85	51	
			0.200	5.08	0200		0.741	18.82	0.632	16.05	52	
			0.250	6.35	0250		0.731	18.57	0.639	16.23	57	
			0.276	7.00	0276		0.750	19.05	0.624	15.85	59	
			0.333	8.46	0333		0.750	19.05	0.624	15.85	64	
			0.500	12.70	0500		0.744	18.90	0.623	15.82	73	
			0.551	14.00	0551		0.750	19.05	0.624	15.85	73	
			0.591	15.00	0591		0.749	19.02	0.623	15.82	74	
			0.709	18.00	0709		0.780	19.81	0.650	16.51	77	
			0.748	19.00	0748		0.672	17.07	0.547	13.89	80	
			0.787	20.00	0787		0.780	19.81	0.648	16.46	78	
			0.800	20.32	0800		0.750	19.05	0.618	15.70	79	
			0.945	24.00	0945		0.734	18.64	0.633	16.08	80	
			1.000	25.40	1000	●	0.743	18.87	0.619	15.72	81	
1.500	38.10	1500	●	0.712	18.08	0.590	14.99	84				
1.969	50.00	1969		0.751	19.08	0.620	15.75	84				
2.000	50.80	2000	●	0.742	18.85	0.611	15.52	84				
2.400	60.96	2400	●	0.750	19.05	0.620	15.75	84				
3.622	92.00	3622	●	0.750	19.05	0.634	16.10	87				

7/8	22	087	0.200	5.08	0200	●	0.870	22.10	0.742	18.85	48	ZBA NTB VHD BFW
			0.236	6.00	0236		0.848	21.54	0.773	19.63	52	
			0.250	6.35	0250		0.875	22.23	0.749	19.02	53	
			0.394	10.00	0394		0.875	22.23	0.741	18.82	65	
			0.500	12.70	0500		0.862	21.89	0.744	18.90	69	
			0.667	16.94	0667		0.871	22.12	0.745	18.92	74	
			0.787	20.00	0787		0.875	22.23	0.741	18.82	78	
			0.945	24.00	0945		0.875	22.23	0.741	18.82	79	
			1.000	25.40	1000		0.871	22.12	0.742	18.85	80	

15/16	24	093	0.050	1.27	0050	LH Only	0.938	23.83	0.874	22.20	17	ZBA NTB BFW
			2.000	50.80	2000		0.927	23.55	0.815	20.70	85	
			3.000	76.20	3000		0.939	23.85	0.803	20.40	86	

Shaded areas have been translated from their designed inch or mm dimension to an equivalent mm or inch dimension.

*Listed efficiencies are theoretical values based on Kerkote® TFE coated lead-screws

Haydon™ “external” style linear actuators can be made available with the various lead codes shown in this section (while maintaining the lead screw “diameter” as described in the linear actuator specifications).



Lead-screw Assemblies: Nut Styles

Haydon Kerk Motion Solutions, Inc. • www.HaydonKerk.com • Phone: 800.243.2715 • International: 203.756.7441



Anti-Backlash: Self-Compensating, Zero Backlash



CMP Series
– Light Loads, Compact Design
Exceptionally compact self-lubricating acetal nut; ideally suited for applications using oil or grease.



ZBX Series
– Light Loads
Patented self-lubricating polyacetal nut; precise positional accuracy and repeatability at a low cost.



WDG Series
– Moderate Loads
An exceptionally compact design to provide stiffness and balanced accuracy for precise positioning. A self-lubricating acetal nut, axially preloaded, the patented wedge design locks the nut at the correct preload without excessive drag.



KHD Series
– Moderate Loads, Low Drag Torque
For moderate load applications; delivers increased load capacity and greater axial stiffness with low drag torque.



NTB Series
– Full Range, Flexible Design
Self-compensating nut assembly maintains axial stiffness throughout its life with minimum system drag torque. Easily modified for custom applications.



VHD Series
– Heavy Loads, High Axial Stiffness
Delivers maximum load carrying capability, with highest axial and radial stiffness.

Anti-Backlash: Special Purpose



ZBA Series
– Adjustable Drag Torque/Ultra Smooth Travel
Unique patented self-lubricating polyacetal nut can be adjusted for torque ranges.



NTG Series
– Adjustable Drag Torque/Compact Size
Compact anti-backlash assembly allows drag torque to be pre-set according to system requirements.

Nuts: General Purpose



BFW Series
– For applications that do not require anti-backlash or wear compensation
Long life at minimal cost.

Nuts: Miniature



MINI Series
– Miniature lead-screw assemblies
Advanced mini lead-screw motion control technology for small-scale lead-screw applications – 3 to 5 mm (1/8 to 3/16-in.). Available in NTB and NTG anti-backlash and BFW style general purpose configurations.

Nuts: Micro



MICRO Series
– Revolutionary micro designs
A lead-screw / nut product design that enables a whole new range of motion control applications. Available in BFW style configurations with 2 mm (5/64-inch) diameter lead-screws.



Nuts: Custom

– Haydon Kerk Motion Solutions™ can work with you to design custom nuts in a variety of materials specifically for your application.

Nut Feature Matrix

Haydon Kerk Motion Solutions. has a wide variety of standard nut designs which offer many features to choose from. Once an application's most important requirements are understood, it becomes a matter of choosing the nut which best meets those requirements. Occasionally, more than one nut might do the job, but in the vast majority of situations, one nut design will stand above the rest. The matrix below may help to narrow down the choices.

All Kerk® nuts can be modified to some degree to help them better meet specific requirements. Haydon Kerk Motion Solutions is also very willing to discuss custom nut designs where requirements and volumes justify.

Nut Feature	Nut Style:	CMP	ZBX	ZBA	KHD	WDG	NTB	NTG	VHD	BFW
Compactness		★★★	★★	★★	★★	★★★★	★★	★★★★	★	★★★★
Dynamic Load Capability		★★	★	★★	★★	★★	★★	★★	★★★★	★★★★
Minimal Drag Torque		★	★★	★★	★★★★	★★	★★	★★	★★★★	N/A
Vibration Damping (horizontal)		★	★★★★	★★★★	★★	★	★	★★	★★	N/A
Vibration Damping (vertical)		★	★★★★	★★★★	★	★	★	★	★	N/A
Smoothness of Operation (printing, scanning)		★	★★	★★★★	★★	★★	★★	★★★★	★★	★
Backlash/Wear Compensation Capability		★★★★	★★	★	★★★★	★★★★	★★★★	★	★★★★	N/A
Ease of User Adjustment of Drag Torque/Backlash		N/A	N/A	★★★★	★★	N/A	★	★★★★	★★	N/A
Stiffness (less axial bi-directional compliance)		★★	★★	★★	★★★★	★★★★	★★★★	★★	★★★★	N/A
Ability to Add Modifications		★	★★	★	★	★	★★★★	★	★	★★★★
Ability to manufacture with Custom Material		★	★★	★★	★	★	★★★★	★★	★	★★★★
Ability to Work with Finer Leads (<0.2-in)		★★★★	★★★★	★★★★	★★★★	★★★★	★★	★★★★	★★★★	★★★★
Ability to Work with Long Leads (>1-in)		★★★★	★★★★	★★★★	★★★★	★★★★	★★★★	★	★★★★	★★★★

GOOD ★ BETTER ★★ BEST ★★★

Lead-screw Assemblies: Nut Comparison Chart



Haydon Kerk Motion Solutions, Inc. • www.HaydonKerk.com • Phone: 800.243.2715 • International: 203.756.7441

Comparison of Kerk® Nut Characteristics

LEAD-SCREW ASSEMBLIES

Nominal Screw Diameter	Property	Nut Style Series									
		CMP	ZBX	ZBA	KHD	WDG	NTB	NTG	VHD	BFW	
5/64-in (2mm)	Dynamic Load										10 lbs. (4.5 kg)
	Static Frictional Drag Torque										Free Wheeling
1/8-in (3mm)	Dynamic Load							5 lbs. (2.3 kg)	5 lbs. (2.3 kg)		25 lbs. (11 kg)
	Static Frictional Drag Torque							.1-.5 oz.-in. (.001-.004 NM)	.1-.5 oz.-in. (.001-.004 NM)		Free Wheeling
3/16-in (4mm)	Dynamic Load	5 lbs. (2.3 kg)					10 lbs. (4.5 kg)	5 lbs. (2.3 kg)	5 lbs. (2.3 kg)		25 lbs. (11 kg)
	Static Frictional Drag Torque	4 oz.-in. (.03 NM)					4 oz.-in. max. (.03 NM max.)	.1-.5 oz.-in. (.001-.004 NM)	.1-.5 oz.-in. (.001-.004 NM)		Free Wheeling
1/4-in (6mm)	Dynamic Load	5 lbs. (2.3 kg)	5 lbs. (2.3 kg)	5 lbs. (2.3 kg)			10 lbs. (4.5 kg)	10 lbs. (4.6 kg)	10 lbs. (4.6 kg)		50 lbs. (20 kg)
	Static Frictional Drag Torque	4 oz.-in. (.03 NM)	.5-3 oz.-in. (.004-.02 NM)	.5-2 oz.-in. (.004-.014 NM)			4 oz.-in. max. (.03 NM max.)	.5-2 oz.-in. (.004-.014 NM)	.5-2 oz.-in. (.004-.014 NM)		Free Wheeling
5/16-in (8mm)	Dynamic Load	8 lbs. (3.6 kg)	10 lbs. (5 kg)	10 lbs. (5 kg)	20 lbs. (10 kg)	25 lbs. (11.3 kg)	20 lbs. (10 kg)	20 lbs. (10 kg)			75 lbs. (35 kg)
	Static Frictional Drag Torque	5 oz.-in. (.04 NM)	1-5 oz.-in. (.01-.03 NM)	1-3 oz.-in. (.01-.02 NM)	1-3 oz.-in. (.01-.02 NM)	5 oz.-in. max. (.04 NM max.)	1-3 oz.-in. (.01-.02 NM)	1-3 oz.-in. (.007-.02 NM)			Free Wheeling
3/8-in (10mm)	Dynamic Load	8 lbs. (3.6 kg)	10 lbs. (5kg)	10 lbs. (5 kg)	20 lbs. (10 kg)	25 lbs. (11.3 kg)	20 lbs. (10 kg)	20 lbs. (10 kg)			75 lbs. (35 kg)
	Static Frictional Drag Torque	5 oz.-in. (.04 NM)	1-5 oz.-in. (.01-.03 NM)	1-3 oz.-in. (.01-.02 NM)	1-3 oz.-in. (.01-.02 NM)	5 oz.-in. max. (.04 NM max.)	1-3 oz.-in. (.01-.02 NM)	1-3 oz.-in. (.007-.02 NM)			Free Wheeling
7/16-in (11mm)	Dynamic Load		15 lbs. (7 kg)	15 lbs. (7 kg)			75 lbs. (34 kg)	30 lbs. (13 kg)			90 lbs. (40 kg)
	Static Frictional Drag Torque		2-6 oz.-in. (.014-.04 NM)	2-5 oz.-in. (.014-.03 NM)			9 oz.-in. max. (.06 NM max.)	1-3 oz.-in. (.007-.02 NM)			Free Wheeling
1/2-in (13mm)	Dynamic Load		25 lbs. (11 kg)	25 lbs. (11 kg)			75 lbs. (34 kg)	100 lbs. (45 kg)		150 lbs. (68 kg)	150 lbs. (68 kg)
	Static Frictional Drag Torque		3-7 oz.-in. (.02-.05 NM)	2-5 oz.-in. (.014-.03 NM)			9 oz.-in. max. (.06 NM max.)	2-6 oz.-in. (.014-.04 NM)		2-6 oz.-in. (.014-.04 NM)	Free Wheeling
5/8-in (16mm)	Dynamic Load		35 lbs. (16 kg)	35 lbs. (16 kg)				125 lbs. (56 kg)		250 lbs. (113 kg)	225 lbs. (100 kg)
	Static Frictional Drag Torque		4-8 oz.-in. (.03-.055 NM)	3-7 oz.-in. (.02-.05 NM)				2-6 oz.-in. (.014-.04 NM)		2-6 oz.-in. (.014-.04 NM)	Free Wheeling
3/4-in (19mm)	Dynamic Load			55 lbs. (25 kg)				150 lbs. (68 kg)		350 lbs. (159 kg)	350 lbs. (160 kg)
	Static Frictional Drag Torque			5-9 oz.-in. (.03-.063 NM)				3-7 oz.-in. (.02-.05 NM)		3-7 oz.-in. (.02-.05 NM)	Free Wheeling
7/8-in (22mm)	Dynamic Load			55 lbs. (25 kg)				200 lbs. (90 kg)		350 lbs. (159 kg)	500 lbs. (227 kg)
	Static Frictional Drag Torque			5-9 oz.-in. (.03-.063 NM)				4-8 oz.-in. (.03-.06 NM)		3-7 oz.-in. (.02-.05 NM)	Free Wheeling
15/16-in (24mm)	Dynamic Load			55 lbs. (25 kg)				200 lbs. (90 kg)			500 lbs. (227 kg)
	Static Frictional Drag Torque			5-9 oz.-in. (.03-.063 NM)				4-8 oz.-in. (.03-.06 NM)			Free Wheeling



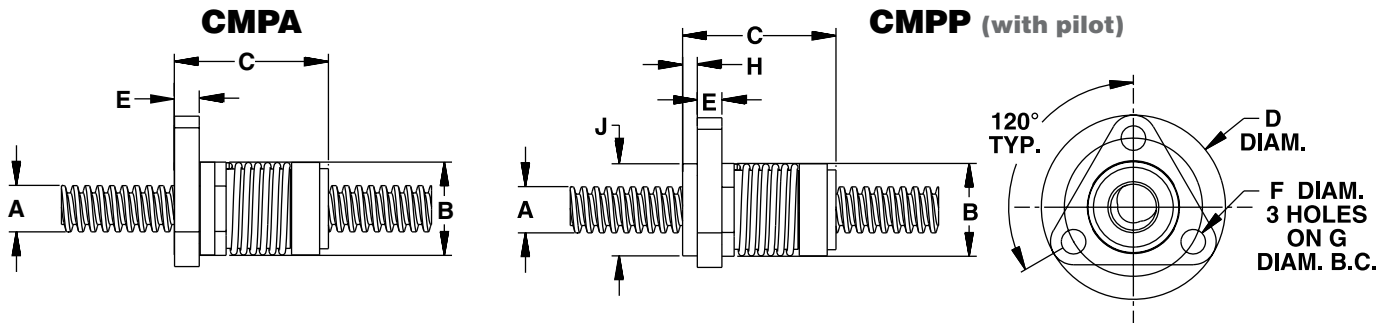
CMP Series – for light loads, compact design

The Kerk® CMP Series anti-backlash assembly utilizes a general purpose self-compensating nut in an exceptionally compact package. This allows equipment designers to utilize smaller assemblies without sacrificing stroke length. The CMP anti-backlash nut design is also ideally suited for applications using grease or oil.

The standard CMP Series assembly utilizes a self-lubricating acetal nut, axially preloaded, on a 303 stainless steel screw. End machining of screw to customer specifications and Kerkote® or Black Ice™ TFE screw coating are optional. Various axial compression springs are also available, depending on application requirements. Please consult factory for details.

CMPA and CMPP Series	Screw Diam.	Nut Diam.	Nut Length	Flange Diam.	Flange Thickness	Mounting Hole Diam.	Bolt Circle Diam.	Hub Length	Hub Diam.	Dynamic Load	Drag Torque (max.)
	A	B	C	D	E	F	G	H	J	lbs (Kg)	oz-in (NM)

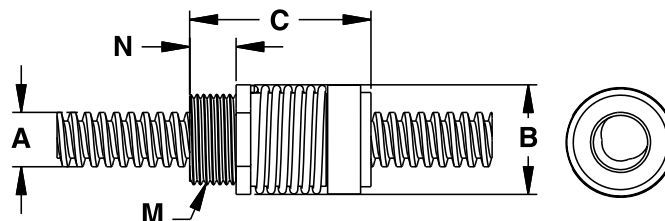
CMPP Flange Mount	3/16 (4)	0.625 (16)	1.05 (26.6)	1.125 (28.6)	0.160 (4.1)	0.143 (3.7)	0.875 (22.2)	0.08 (2.04)	0.625 (15.9)	5 (2.3)	4 (.03)
	7/32 (5)	0.625 (16)	1.05 (26.6)	1.125 (28.6)	0.160 (4.1)	0.143 (3.7)	0.875 (22.2)	0.08 (2.04)	0.625 (15.9)	5 (2.3)	4 (.03)
CMPP (with pilot)	1/4 (6)	0.625 (16)	1.05 (26.6)	1.125 (28.6)	0.160 (4.1)	0.143 (3.7)	0.875 (22.2)	0.08 (2.04)	0.625 (15.9)	5 (2.3)	4 (.03)
	5/16 (8)	0.750 (19)	1.32 (33.5)	1.5 (38.1)	0.200 (5.08)	0.200(5.08)	1.125 (28.6)	0.120 (3.05)	0.750 (19.1)	8 (3.6)	5 (.04)
	3/8 (10)	0.750 (19)	1.32 (33.5)	1.5 (38.1)	0.200 (5.08)	0.200(5.08)	1.125 (28.6)	0.120 (3.05)	0.750 (19.1)	8 (3.6)	5 (.04)



CMPT Series	Screw Diam.	Nut Diam.	Nut Length	Thread	Thread Length	Dynamic Load	Drag Torque (max.)
	A	B	C	M*	N	lbs (Kg)	oz-in (NM)

CMPT Thread Mount	3/16 (4)	0.625 (16)	1.05 (26.6)	9/16 - 18	0.240 (6.1)	5 (2.3)	4 (.03)
	7/32 (5)	0.625 (16)	1.05 (26.6)	9/16 - 18	0.240 (6.1)	5 (2.3)	4 (.03)
	1/4 (6)	0.625 (16)	1.05 (26.6)	9/16 - 18	0.240 (6.1)	5 (2.3)	4 (.03)
	5/16 (8)	0.750 (19)	1.32 (33.5)	5/8 - 18	0.320 (8.1)	8 (3.6)	5 (.04)
	3/8 (10)	0.750 (19)	1.32 (33.5)	5/8 - 18	0.320 (8.1)	8 (3.6)	5 (.04)

* metric available as required



ANTI-BACKLASH NUT ASSEMBLIES

Anti-Backlash Nuts: ZBX Series



Haydon Kerk Motion Solutions, Inc. • www.HaydonKerk.com • Phone: 800.243.2715 • International: 203.756.7441

ZBX Series – for lighter loads

The patented Kerk® ZBX Series anti-backlash assembly offers an effective linear actuator for design operations requiring precise positional accuracy and repeatability, with minimum cost.

The standard ZBX unit utilizes a patented self-lubricating polyacetal nut radially preloaded on a 303 stainless steel screw.



ANTI-BACKLASH NUT ASSEMBLIES

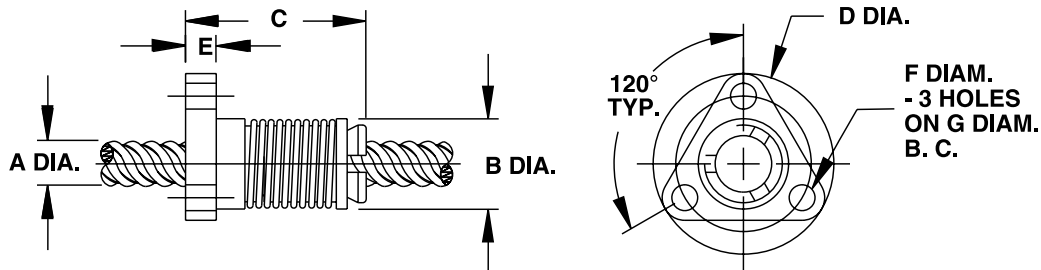
The ZBX assembly, through its unique transfer of loads, offers exceptional torque consistency and repeatability when traversing in either direction. The inherent damping qualities of the ZBX design make it ideally suited for vertical applications requiring noise or vibration control.

End machining to customer specifications and Kerkote® TFE screw coating are optional, as are designs for special operating configurations or environments.

Sold & Serviced By:
 **ELECTROMATE**
Toll Free Phone (877) SERV098
Toll Free Fax (877) SERV099
www.electromate.com
sales@electromate.com

ZBXA Series: Flange Mount

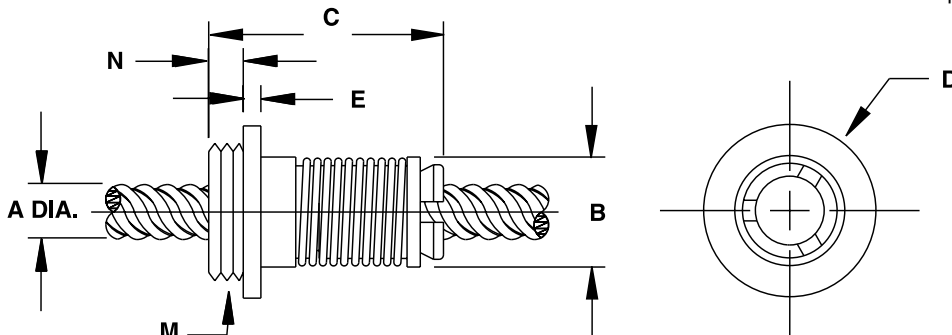
	Screw Diam.	Nut Diam.	Nut Length	Flange Diam.	Flange Thickness	Mounting Hole Diam.	Bolt Circle Diam.	Dynamic Load	Drag Torque
	A inch (mm)	B inch (mm)	C inch (mm)	D inch (mm)	E inch (mm)	F inch (mm)	G inch (mm)	lbs (Kg)	oz-in (NM)
ZBXA Series Flange Mount	1/4 (6)	.50 (12.7)	1.0 (26)	1.0 (25.4)	.18 (4.6)	.140 (3.6)	.750 (19.1)	5 (2.3)	.5-3 (.004-.02)
	5/16 (8)	.70 (17.8)	1.9 (48)	1.5 (38.1)	.18 (4.6)	.200 (5.08)	1.125 (28.6)	10 (5)	1-5 (.007-.03)
	3/8 (10)	.70 (17.8)	1.9 (48)	1.5 (38.1)	.18 (4.6)	.200 (5.08)	1.125 (28.6)	10 (5)	1-5 (.007-.03)
	7/16 (11)	.80 (20.3)	1.9 (48)	1.5 (38.1)	.18 (4.6)	.200 (5.08)	1.125 (28.6)	15 (7)	2-6 (.014-.04)
	1/2 (13)	.89 (22.6)	2.0 (51)	1.62 (41.2)	.26 (6.6)	.200 (5.08)	1.1250 (31.8)	25 (11)	3-7 (.02-.05)
	5/8 (16)	1.06 (26.9)	2.0 (51)	1.75 (44.5)	.26 (6.6)	.200 (5.08)	1.375 (34.9)	35 (16)	4-8 (.028-.055)



ZBXT Series: Thread Mount

	Screw Diam.	Nut Diam.	Nut Length	Flange Diam.	Flange Thickness	Thread	Thread Length	Dynamic Load	Drag Torque
	A inch (mm)	B inch (mm)	C inch (mm)	D inch (mm)	E inch (mm)	M* inch	N inch (mm)	lbs (Kg)	oz-in (NM)
ZBXT Series Thread Mount	1/4 (6)	.50 (12.7)	1.3 (33)	.80 (20.3)	.22 (5.6)	5/8 - 18	.16 (4.1)	5 (2.3)	.5-3 (.004-.02)
	5/16 (8)	.70 (17.8)	2.2 (56)	1.00 (25.4)	.17 (4.3)	5/8 - 18	.38 (9.7)	10 (5)	1-5 (.007-.03)
	3/8 (10)	.70 (17.8)	2.2 (56)	1.00 (25.4)	.17 (4.3)	5/8 - 18	.38 (9.7)	10 (5)	1-5 (.007-.03)
	7/16 (11)	.80 (20.3)	2.3 (59)	1.00 (25.4)	.12 (3.1)	15/16 - 16	.38 (9.7)	15 (7)	2-6 (.014-.04)
	1/2 (13)	.89 (22.6)	2.3 (59)	1.02 (25.9)	.12 (3.1)	15/16 - 16	.38 (9.7)	25 (11)	3-7 (.02-.05)
	5/8 (16)	1.06 (26.9)	2.4 (61)	1.06 (26.9)	.15 (3.8)	15/16 - 16	.50 (12.7)	35 (16)	4-8 (.028-.055)

* metric available as required



ANTI-BACKLASH NUT ASSEMBLIES

Anti-Backlash Nuts: KHD Series



Haydon Kerk Motion Solutions, Inc. • www.HaydonKerk.com • Phone: 800.243.2715 • International: 203.756.7441



KHD Series – for moderate loads, low drag torque

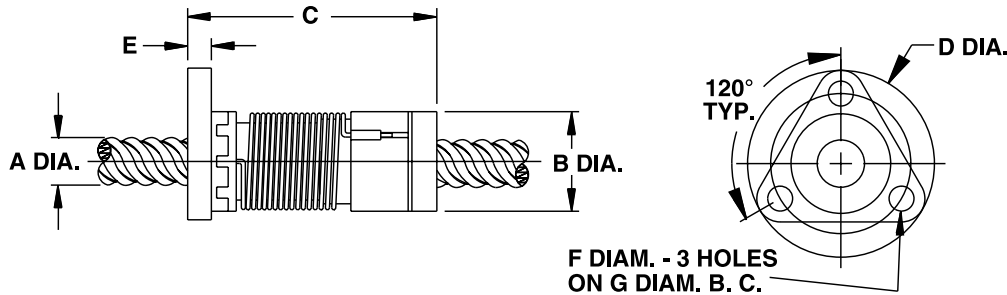
The Kerk® KHD Series anti-backlash assembly makes use of the Kerk patented AXIAL TAKE-UP MECHANISM (see *Lead-screw Assemblies: Anti-Backlash Technologies* section) to provide backlash compensation. The unique split nut with torsional take-up provides increased load capacity and axial stiffness over comparably sized ZBX units.

Although the KHD offers high axial stiffness, frictional drag torque (1-3 oz.-in.) is very low. The anti-backlash mechanism in the KHD unit eliminates the need for load compensating preload forces.

The assembly consists of a 303 stainless steel screw mated with a self-lubricating polyacetal nut. End machining to customer specifications and Kerkote® TFE screw coating are optional.

KHDA Series: Flange Mount

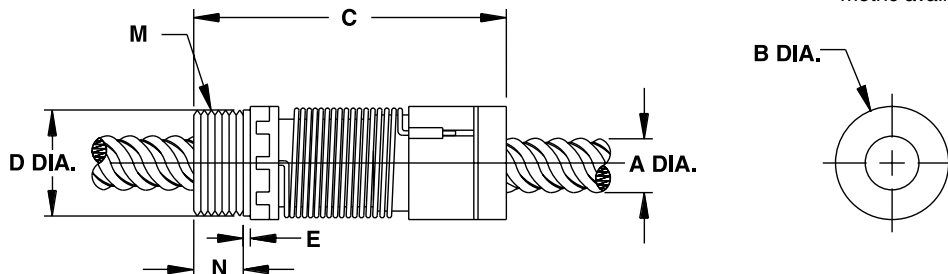
	Screw Diam.	Nut Diam.	Nut Length	Flange Diam.	Flange Thickness	Mounting Hole Diam.	Bolt Circle Diam.	Dynamic Load	Drag Torque
	A inch (mm)	B inch (mm)	C inch (mm)	D inch (mm)	E inch (mm)	F inch (mm)	G inch (mm)	lbs (Kg)	oz-in (NM)
KHDA Series Flange Mount	5/16 (8)	.80 (20.3)	2.0 (50.8)	1.50 (38.1)	.19 (4.8)	.200 (5.08)	1.125 (28.58)	20 (10)	1-3 (.007-.020)
	3/8 (10)	.80 (20.3)	2.0 (50.8)	1.50 (38.1)	.19 (4.8)	.200 (5.08)	1.125 (28.58)	20 (10)	1-3 (.007-.020)



KHDT Series: Thread Mount

	Screw Diam.	Nut Diam.	Nut Length	Flange Diam.	Flange Thickness	Thread	Thread Length	Dynamic Load	Drag Torque
	A inch (mm)	B inch (mm)	C inch (mm)	D inch (mm)	E inch (mm)	M* inch	N inch (mm)	lbs (Kg)	oz-in (NM)
KHDT Series Thread Mount	5/16 (8)	.80 (20.3)	2.2 (55.9)	.75 (19.1)	.05 (1.27)	3/4-20	.35 (8.9)	20 (10)	1-3 (.007-.020)
	3/8 (10)	.80 (20.3)	2.2 (55.9)	.75 (19.1)	.05 (1.27)	3/4-20	.35 (8.9)	20 (10)	1-3 (.007-.020)

* metric available as required



ANTI-BACKLASH NUT ASSEMBLIES

WDG Series – for moderate loads, compact designs

The Kerk® WDG Series anti-backlash assembly utilizes an exceptionally compact design to provide stiffness and balanced accuracy for precise positioning. The unique wedge design locks the nut at the correct preload without excessive drag.

Shorter than other self-compensating nuts with similar performance, the W nut permits the design of smaller assemblies without sacrificing stroke length. Nut wear or momentary overload is accommodated through the WDG Series' compensation mechanism, which maintains positional accuracy in demanding applications.

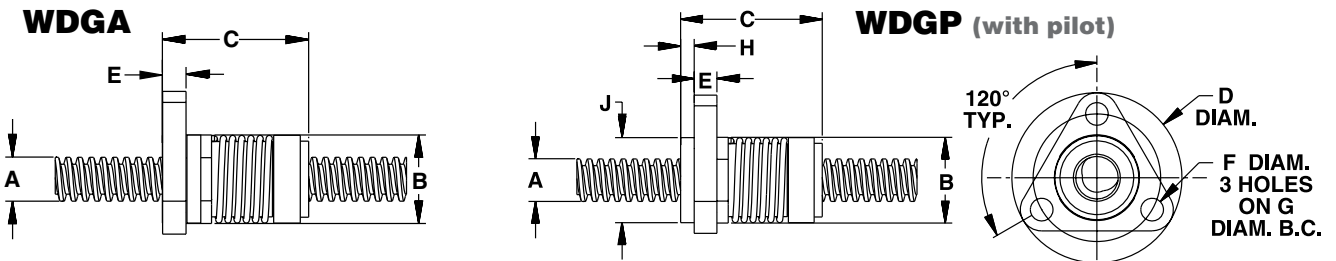
The standard W Series assembly utilizes a self-lubricating acetal nut, axially preloaded, on a 303 stainless steel screw. End machining to customer specifications and Kerkote® or Black Ice™ TFE screw coating are optional, as are designs for special operating configurations or environments.



WDGA and WDG Series	Screw Diam.	Nut Diam.	Nut Length	Flange Diam.	Flange Thickness	Mounting Hole Diam.	Bolt Circle Diam.	Hub Length	Hub Diam.	Dynamic Load	Drag Torque (max.)
	A	B	C	D	E	F	G	H	J	lbs (Kg)	oz-in (NM)

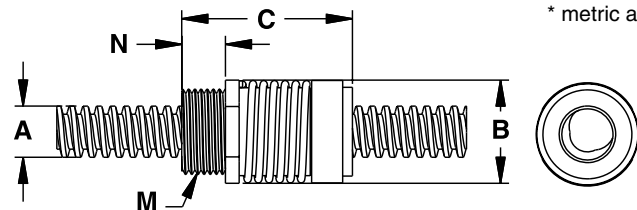
WDGA Flange Mount & WDG (with pilot)	3/16 (4)	0.625 (16)	1.05 (26.6)	1.125 (28.6)	0.160 (4.1)	0.143 (3.7)	0.875 (22.2)	0.08 (2.04)	0.625 (15.9)	10 (4.5)	4 (.03)
	7/32 (5)	0.625 (16)	1.05 (26.6)	1.125 (28.6)	0.160 (4.1)	0.143 (3.7)	0.875 (22.2)	0.08 (2.04)	0.625 (15.9)	10 (4.5)	4 (.03)
	1/4 (6)	0.625 (16)	1.05 (26.6)	1.125 (28.6)	0.160 (4.1)	0.143 (3.7)	0.875 (22.2)	0.08 (2.04)	0.625 (15.9)	10 (4.5)	4 (.03)
	5/16 (8)	0.750 (19)	1.32 (33.5)	1.5 (38.1)	0.200 (5.08)	0.200 (5.08)	1.125 (28.6)	0.120 (3.05)	0.750 (19.1)	25 (11.3)	5 (.04)
	3/8 (10)	0.750 (19)	1.32 (33.5)	1.5 (38.1)	0.200 (5.08)	0.200 (5.08)	1.125 (28.6)	0.120 (3.05)	0.750 (19.1)	25 (11.3)	5 (.04)
	7/16 (11)	1.00 (25.4)	2.078 (52.8)	1.750 (44.5)	0.250 (6.35)	0.220 (5.6)	1.406 (35.7)	0.255 (6.48)	1.000 (25.4)	75 (34)	9 (.06)
1/2 (13)	1.00 (25.4)	2.078 (52.8)	1.750 (44.5)	0.250 (6.35)	0.220 (5.6)	1.406 (35.7)	0.255 (6.48)	1.000 (25.4)	75 (34)	9 (.06)	

ANTI-BACKLASH NUT ASSEMBLIES



WDGT Series	Screw Diam.	Nut Diam.	Nut Length	Thread	Thread Length	Dynamic Load	Drag Torque (max.)
	A	B	C	M*	N	lbs (Kg)	oz-in (NM)

WDGT Thread Mount	3/16 (4)	0.625 (16)	1.05 (26.6)	9/16 - 18	0.240 (6.1)	10 (4.5)	4 (.03)
	7/32 (5)	0.625 (16)	1.05 (26.6)	9/16 - 18	0.240 (6.1)	10 (4.5)	4 (.03)
	1/4 (6)	0.625 (16)	1.05 (26.6)	9/16 - 18	0.240 (6.1)	10 (4.5)	4 (.03)
	5/16 (8)	0.750 (19)	1.32 (33.5)	5/8 - 18	0.320 (8.1)	25 (11.3)	5 (.04)
	3/8 (10)	0.750 (19)	1.32 (33.5)	5/8 - 18	0.320 (8.1)	25 (11.3)	5 (.04)
	7/16 (11)	1.00 (25.4)	2.078 (52.8)	15/16 - 16	0.500 (12.7)	75 (34)	9 (.06)
	1/2 (13)	1.00 (25.4)	2.078 (52.8)	15/16 - 16	0.500 (12.7)	75 (34)	9 (.06)



* metric available as required

Anti-Backlash Nuts: NTB Series



Haydon Kerk Motion Solutions, Inc. • www.HaydonKerk.com • Phone: 800.243.2715 • International: 203.756.7441



NTB Series – full range, flexible designs

The Kerk® NTB Series anti-backlash assembly is designed for higher load applications than the ZBX or KHD series units. Using the specially designed take up mechanism, it maintains axial stiffness throughout its life while system torque is held to a minimum. The need to highly pre-load the nut to compensate for load has been eliminated with the Kerk NTB Series assembly.

The nut is manufactured with a self-lubricating polyacetal designed to run efficiently on the precision rolled shafting. Screws are 303 stainless and are available with the proprietary long - life Kerkote® TFE coating. The NTB's simple, compact design can be easily modified for custom applications.

The NTB assembly provides low drag torque, high system stiffness, smooth operation, and long life throughout its load and speed range.

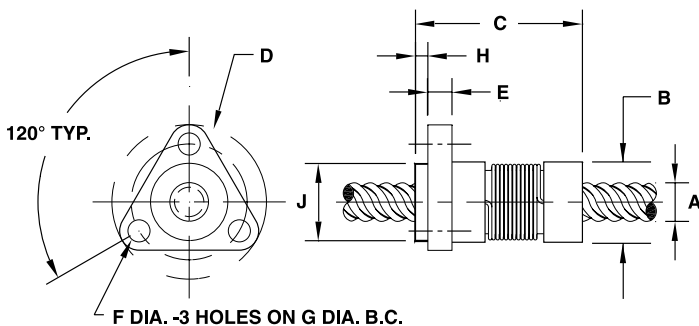
NTB Series: Flange Mount

ANTI-BACKLASH NUT ASSEMBLIES

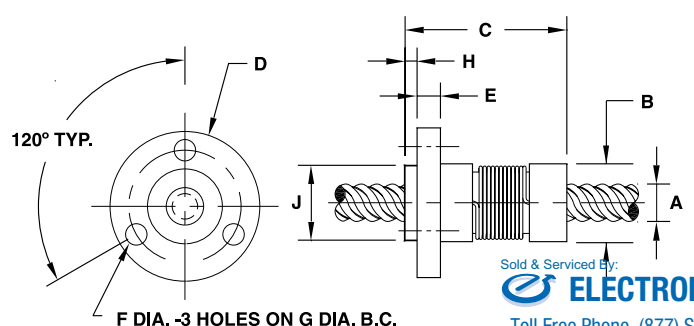
	Screw Diam.	Nut Diam.	Nut Length	Flange Diam.	Flange Thickness	Mounting Hole Diam.	Bolt Circle Diam.	Hub Width	Hub Diam.	Dynamic Load	Drag Torque
	A	B	C	D	E	F	G	H	J		
	inch (mm)	inch (mm)	inch (mm)	inch (mm)	inch (mm)	inch (mm)	inch (mm)	inch (mm)	inch (mm)	lbs (Kg)	oz-in (NM)
NTBA Triangular Flange	1/4 (6)	.52 (13.2)	1.1 (28)	1.00 (25.4)	.16 (4.0)	.143 (3.63)	.750 (19.1)	.08 (2.0)	.500 (12.7)	10 (4.5)	5-2 (.004-.014)
	5/16 (8)	.80 (20.3)	1.8 (46)	1.50 (38.1)	.20 (5.1)	.200 (5.08)	1.125 (28.6)	.10 (2.54)	.750 (19.1)	20 (9.1)	1-3 (.007-.02)
	3/8 (10)	.80 (20.3)	1.8 (46)	1.50 (38.1)	.20 (5.1)	.200 (5.08)	1.125 (28.6)	.10 (2.54)	.750 (19.1)	20 (9.1)	1-3 (.007-.02)
	7/16 (11)	.90 (22.9)	1.8 (46)	1.62 (41.2)	.23 (5.7)	.200 (5.08)	1.1250 (31.8)	.10 (2.54)	.875 (22.2)	30 (13.6)	1-3 (.007-.02)
NTBF Round Flange	1/2 (13)	1.06 (26.9)	2.1 (54)	1.75 (44.5)	.25 (6.4)	.220 (5.59)	1.406 (35.71)	.12 (3.0)	1.00 (25.4)	100 (45.5)	2-6 (.014-.04)
	5/8 (16)	1.38 (34.9)	2.3 (59)	2.13 (54.1)	.28 (7.0)	.220 (5.59)	1.750 (44.45)	.10 (2.54)	1.25 (31.8)	125 (56.8)	2-6 (.014-.04)
	3/4 (19)	1.56 (39.6)	2.7 (67)	2.38 (60.5)	.31 (7.9)	.220 (5.59)	2.000 (50.80)	.10 (2.54)	1.50 (38.1)	150 (68.2)	3-7 (.02-.05)
	7/8 (22)	1.75 (44.5)	2.8 (70)	2.63 (66.8)	.38 (9.5)	.220 (5.59)	2.250 (57.15)	.12 (3.0)	1.75 (44.5)	200 (90.9)	4-8 (.03-.06)
	15/16 (24)	1.75 (44.5)	2.8 (70)	2.63 (66.8)	.38 (9.5)	.220 (5.59)	2.250 (57.15)	.12 (3.0)	1.75 (44.5)	200 (90.9)	4-8 (.03-.06)

NTB MINI Series – see MINI Series Products

Triangular Flange



Round Flange



Sold & Serviced By:

 Toll Free Phone (877) SERV098
 Toll Free Fax (877) SERV099
 www.electromate.com
 sales@electromate.com

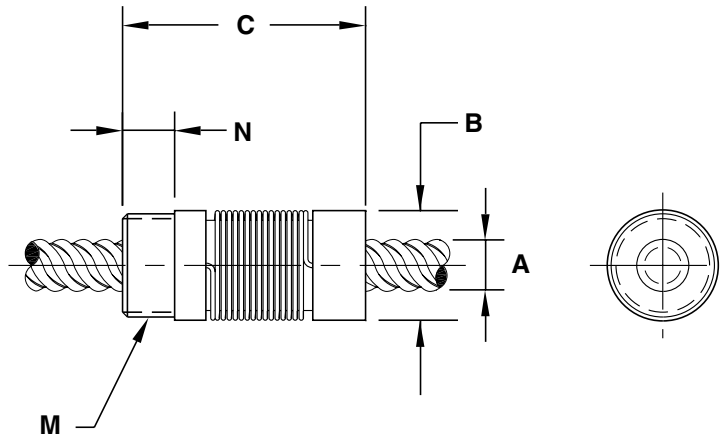
NTBT Series: Thread Mount

	Screw Diam.	Nut Diam.	Nut Length	Thread	Thread Length	Dynamic Load	Drag Torque
	A inch (mm)	B inch (mm)	C inch (mm)	M* inch (mm)	N inch (mm)	lbs (Kg)	oz-in (NM)
NTBT Thread Mount 1/4 to 7/16-in	1/4 (6)	.52 (13.2)	1.1 (28)	7/16-20	.25 (6.4)	10 (4.5)	.5-2 (.004-.014)
	5/16 (8)	.80 (20.3)	1.8 (45)	3/4-20	.38 (9.5)	20 (9.1)	1-3 (.007-.02)
	3/8 (10)	.80 (20.3)	1.8 (45)	3/4-20	.38 (9.5)	20 (9.1)	1-3 (.007-.02)
	7/16 (11)	.90 (22.9)	1.8 (46)	13/16-16	.38 (9.5)	30 (13.6)	1-3 (.007-.02)

NTBT Thread Mount 1/2 to 15/16-in	1/2 (13)	1.06 (26.9)	2.1 (54)	15/16-16	.38 (9.5)	100 (45.5)	2-6 (.014-.04)
	5/8 (16)	1.38 (34.9)	2.3 (59)	1 1/8-16	.38 (9.5)	125 (56.8)	2-6 (.014-.04)
	3/4 (19)	1.56 (39.6)	2.7 (67)	1 3/8-16	.50 (12.7)	150 (68.2)	3-7 (.02-.05)
	7/8 (22)	1.75 (44.5)	2.8 (70)	1 9/16-16	.50 (12.7)	200 (90.9)	4-8 (.03-.06)
	15/16 (24)	1.75 (44.5)	2.8 (70)	1 9/16-16	.50 (12.7)	200 (90.9)	4-8 (.03-.06)

NTB MINI Series – see MINI Series Products

* metric available as required



Anti-Backlash Nuts: VHD Series

Haydon Kerk Motion Solutions, Inc. • www.HaydonKerk.com • Phone: 800.243.2715 • International: 203.756.7441



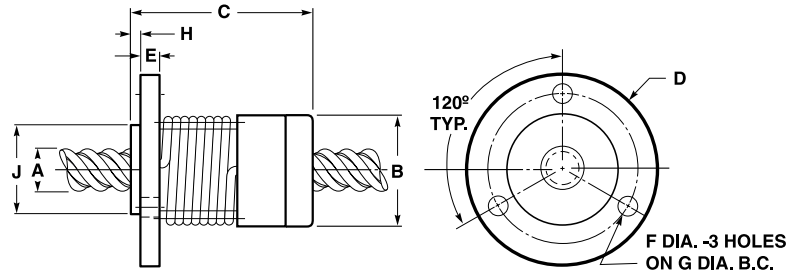
The Kerk® VHD Series anti-backlash assembly provides the maximum load carrying capability and the highest axial and radial stiffness of any Kerk nut assembly. Designed for smooth, quiet operation and long life, the VHD assembly provides low drag torque by making use of the patented Kerk AXIAL TAKE-UP MECHANISM (see *Lead-screw Assemblies: Anti-Backlash Technologies* section). Drag and wear associated with high pre-load forces are eliminated with the VHD Series. Screws are 303 stainless steel with Kerk's custom Kerkote® TFE extended life coating optional.

Assemblies are available cut-to-length or with screws machined to your requirements.

VHD Series: Flange Mount

	Screw Diam.	Nut Diam.	Nut Length	Flange Diam.	Flange Thickness	Mounting Hole Diam.	Bolt Circle Diam.	Hub Width	Hub Diam.	Dynamic Load	Drag Torque
	A inch (mm)	B inch (mm)	C inch (mm)	D inch (mm)	E inch (mm)	F inch (mm)	G inch (mm)	H inch (mm)	J inch (mm)	lbs (Kg)	oz-in (NM)
VHDF Flange Mount	1/2 (13)	1.12 (28.5)	2.3 (59)	1.75 (44.5)	.23 (5.9)	.22 (5.60)	1.406 (35.71)	.12 (3.1)	.93 (23.62)	150 (68)	2-6 (.014-.02)
	5/8 (16)	1.38 (35.1)	2.6 (66)	2.08 (53)	.28 (7.1)	.22 (5.60)	1.750 (44.45)	N/A	N/A	250 (113)	2-6 (.014-.02)
	3/4 (19)	1.62 (41.2)	2.8 (71)	2.38 (60.5)	.31 (7.9)	.22 (5.60)	2.000 (50.80)	N/A	N/A	350 (159)	3-7 (.02-.05)
	7/8 (22)	1.62 (41.2)	2.8 (71)	2.38 (60.5)	.31 (7.9)	.22 (5.60)	2.000 (50.80)	N/A	N/A	350 (159)	3-7 (.02-.05)

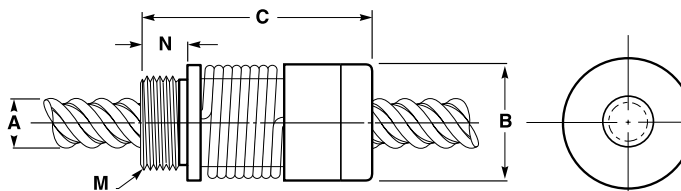
ANTI-BACKLASH NUT ASSEMBLIES



VHD Series: Thread Mount

	Screw Diam.	Nut Diam.	Nut Length	Thread	Thread Length	Dynamic Load	Drag Torque
	A inch (mm)	B inch (mm)	C inch (mm)	M* inch (mm)	N inch (mm)	lbs (Kg)	oz-in (NM)
VHDT Thread Mount	1/2 (13)	1.12 (28.5)	2.5 (64)	15/16-16	.50 (12.7)	150 (68)	2-6 (.014-.04)
	5/8 (16)	1.38 (35.1)	2.8 (72)	1 1/4-16	.50 (12.7)	250 (113)	2-6 (.014-.04)
	3/4 (19)	1.62 (41.2)	3.12 (79)	1 3/8-16	.50 (12.7)	350 (159)	3-7 (.02-.05)
	7/8 (22)	1.62 (41.2)	3.12 (79)	1 3/8-16	.50 (12.7)	350 (159)	3-7 (.02-.05)

* metric available as required



ZBA Series – adjustable drag torque/ultra smooth travel



The patented Kerk® ZBA Series offers a cost effective anti-backlash assembly for applications requiring precise positional accuracy and repeatability. The ZBA has been developed specifically for those applications that require very smooth and consistent motion such as printing, scanning, and coordinate measurement systems.

An added benefit of the ZBA design is the ability to manually adjust the drag torque setting to match the specific requirements of the application. This drag torque can also be set at the factory to meet individual customer specifications. The inherent damping qualities of the ZBA design make it ideally suited for applications requiring noise or vibration control.

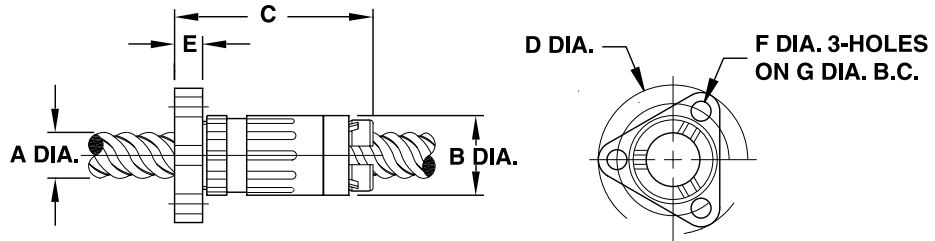
The standard ZBA unit utilizes a self-lubricating polyacetal nut radially preloaded on a 303 stainless steel screw. End machining to customer specifications and Kerkote® TFE screw coating are optional.

Anti-Backlash Nuts: ZBA Series

Haydon Kerk Motion Solutions, Inc. • www.HaydonKerk.com • Phone: 800.243.2715 • International: 203.756.7441

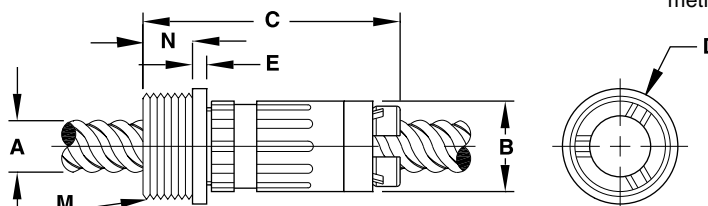
ZBAA Series: Flange Mount

	Screw Diam.	Nut Diam.	Nut Length	Flange Diam.	Flange Thickness	Mounting Hole Diam.	Bolt Circle Diam.	Dynamic Load	Drag Torque
	A inch (mm)	B inch (mm)	C inch (mm)	D inch (mm)	E inch (mm)	F inch (mm)	G inch (mm)	lbs (Kg)	oz-in (NM)
ZBAA Flange Mount	1/4 (6)	.53 (13.5)	1.00 (25.4)	1.00 (25.4)	.18 (4.6)	.143 (3.6)	.750 (19.05)	5 (2.3)	.5-2 (.004-.014)
	5/16 (8)	.74 (18.8)	1.9 (48)	1.50 (38.1)	.18 (4.6)	.200 (5.08)	1.125 (28.58)	10 (5)	1-3 (.007-.02)
	3/8 (9)	.74 (18.8)	1.9 (48)	1.50 (38.1)	.18 (4.6)	.200 (5.08)	1.125 (28.58)	10 (5)	1-3 (.007-.02)
	7/16 (11)	.80 (20.3)	1.9 (48)	1.50 (38.1)	.18 (4.6)	.200 (5.08)	1.125 (28.58)	15 (7)	2-5 (.014-.03)
	1/2 (13)	.89 (22.6)	2.00 (50.8)	1.62 (41.2)	.28 (7.1)	.200 (5.08)	1.250 (31.75)	25 (11)	2-5 (.014-.03)
	5/8 (16)	1.06 (26.9)	2.00 (50.8)	1.75 (44.5)	.28 (7.1)	.200 (5.08)	1.375 (34.93)	35 (16)	3-7 (.02-.05)
	3/4 (19)	1.70 (43.2)	2.88 (73.2)	2.63 (66.8)	.38 (9.6)	.218 (5.5)	2.25 (57.2)	55 (25)	5-9 (.03-.064)
	7/8 (22)	1.70 (43.2)	2.88 (73.2)	2.63 (66.8)	.38 (9.6)	.218 (5.5)	2.25 (57.2)	55 (25)	5-9 (.03-.064)
	15/16 (24)	1.70 (43.2)	2.88 (73.2)	2.63 (66.8)	.38 (9.6)	.218 (5.5)	2.25 (57.2)	55 (25)	5-9 (.03-.064)



ZBAT Series: Thread Mount

	Screw Diam.	Nut Diam.	Nut Length	Flange Diam.	Flange Thickness	Thread	Thread Length	Dynamic Load	Drag Torque
	A inch (mm)	B inch (mm)	C inch (mm)	D inch (mm)	E inch (mm)	M* inch	N inch (mm)	lbs (Kg)	oz-in (NM)
ZBAT Thread Mount	1/4 (6)	.53 (13.5)	1.3 (33)	.80 (20.3)	.12 (3.1)	5/8-18	.16 (4.1)	5 (2.3)	.5-2 (.004-.014)
	5/16 (8)	.74 (18.8)	2.2 (56)	1.00 (25.4)	.15 (3.8)	5/8-18	.38 (9.7)	10 (5)	1-3 (.007-.02)
	3/8 (10)	.74 (18.8)	2.2 (56)	1.00 (25.4)	.15 (3.8)	5/8-18	.38 (9.7)	10 (5)	1-3 (.007-.02)
	7/16 (11)	.80 (20.3)	2.3 (59)	1.00 (25.4)	.10 (2.5)	15/16-16	.38 (9.7)	15 (7)	2-5 (.014-.03)
	1/2 (13)	.89 (22.6)	2.3 (59)	1.04 (26.4)	.10 (2.5)	15/16-16	.38 (9.7)	25 (11)	2-5 (.014-.03)
	5/8 (16)	1.06 (26.9)	2.3 (58.9)	1.06 (26.9)	.14 (3.6)	15/16-16	.50 (12.7)	35 (16)	3-7 (.02-.05)



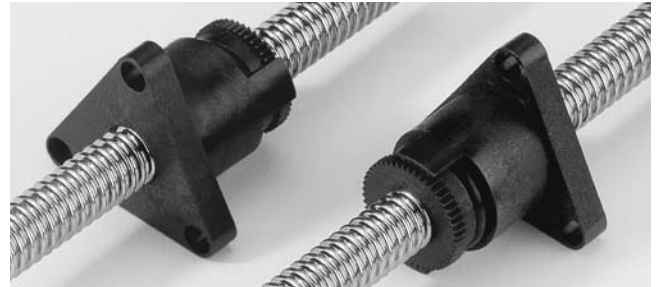
* metric available as required

NTG Series – adjustable drag torque/compact size

The adjustable Kerk® NTG Series offers a cost effective anti-backlash assembly for applications requiring precise positional accuracy, repeatability, and smoothness. The NTG has been developed specifically for demanding applications that require zero backlash with minimal drag torque. With its compact size and no moving components, the NTG can also be easily incorporated into customer specified, custom molded parts.

An integral part of the NTG design is the ability to manually adjust the drag torque setting to match specific requirements of the application. This drag torque can also be set at the factory to meet individual customer specifications. This is especially effective with fine leads.

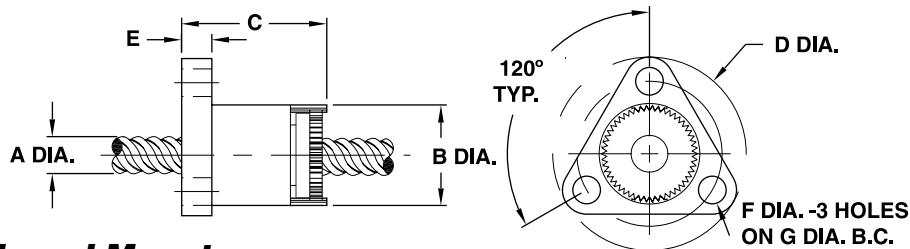
The standard NTG unit utilizes a self-lubricating polyacetal nut on a precision rolled 303 stainless steel screw. End machining to customer specifications and Kerkote® TFE screw coating are optional.



NTGA Series: Flange Mount

	Screw Diam.	Nut Diam.	Nut Length	Flange Diam.	Flange Thickness	Mounting Hole Diam.	Bolt Circle Diam.	Dynamic Load	Drag Torque
	A inch (mm)	B inch (mm)	C inch (mm)	D inch (mm)	E inch (mm)	F inch (mm)	G inch (mm)	lbs (Kg)	oz-in (NM)
NTGA Flange Mount	1/4 (6)	.52 (13.2)	.8 (20.3)	1.00 (25.4)	.16 (4.0)	.143 (3.63)	.750 (19.1)	10 (4.5)	.5-2 (.004-.014)
	5/16 (8)	.80 (20.3)	1.0 (25.4)	1.50 (38.1)	.20 (5.1)	.197 (5.00)	1.125 (28.6)	20 (9.1)	1-3 (.007-.02)
	3/8 (10)	.80 (20.3)	1.0 (25.4)	1.50 (38.1)	.20 (5.1)	.197 (5.00)	1.125 (28.6)	20 (9.1)	1-3 (.007-.02)

NTG MINI Series – see MINI Series Products

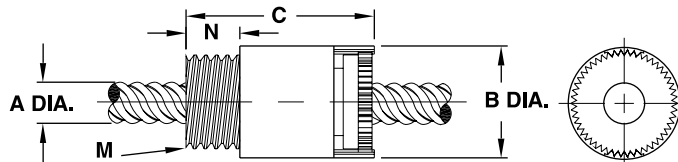


NTGT Series: Thread Mount

	Screw Diam.	Nut Diam.	Nut Length	Thread	Thread Length	Dynamic Load	Drag Torque
	A inch (mm)	B inch (mm)	C inch (mm)	M* inch	N inch (mm)	lbs (Kg)	oz-in (NM)
NTGT Thread Mount	1/4 (6)	.520 (13.2)	.9 (22)	7/16 - 20	.250 (6.35)	10 (4.5)	.5-2 (.004-.014)
	5/16 (8)	.800 (20.3)	1.2 (30)	3/4 - 20	.375 (9.53)	20 (9.1)	1-3 (.007-.02)
	3/8 (10)	.800 (20.3)	1.2 (30)	3/4 - 20	.375 (9.53)	20 (9.1)	1-3 (.007-.02)

NTG MINI Series – see MINI Series Products

* metric available as required



ANTI-BACKLASH NUT ASSEMBLIES

General Purpose Nuts: BFW Series

Haydon Kerk Motion Solutions, Inc. • www.HaydonKerk.com • Phone: 800.243.2715 • International: 203.756.7441

BFW Series – conventional style, without “anti-backlash” function

The Kerk® BFW Series general purpose “free-wheeling” nut is for applications not requiring anti-backlash and wear compensation. It provides effective power transmission at minimum cost, and features long life, self-lubricating polyacetal nuts.



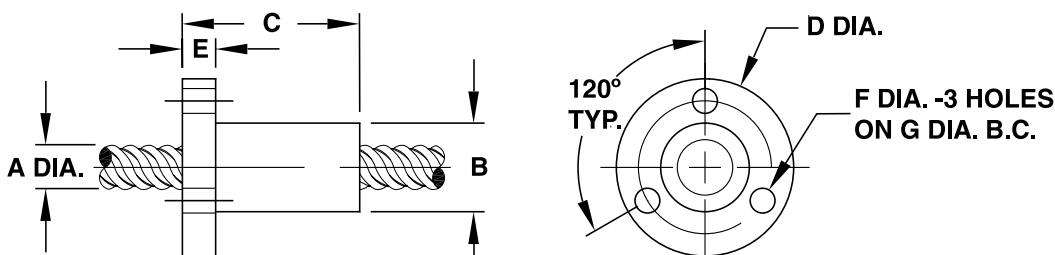
The secure mounting and convenience of a circular flange is standard on the BFW nuts with triangular flange and thread mounting as an option. Many custom configurations are available.

Screws are 303 stainless steel with extended life, custom Kerkote® TFE coating optional. Assemblies can be supplied cut-to-length or with ends machined to customer requirements.

BFW Series: Flange Mount (Round)

	Screw Diam.	Nut Diam.	Nut Length	Flange Diam.	Flange Thickness	Mounting Hole Diam.	Bolt Circle Diam.	Dynamic Load
	A	B	C	D	E	F	G	lbs
	inch (mm)	inch (mm)	inch (mm)	inch (mm)	inch (mm)	inch (mm)	inch (mm)	(Kg)
BFW Round Flange	1/4 (6)	.50 (12.7)	1.0 (25.4)	1.00 (25.4)	.19 (4.8)	.140 (3.56)	.750 (19.05)	50 (20)
	5/16 (8)	.63 (15.9)	1.0 (25.4)	1.13 (28.7)	.19 (4.8)	.140 (3.56)	.875 (22.23)	75 (35)
	3/8 (10)	.63 (15.9)	1.0 (25.4)	1.13 (28.7)	.19 (4.8)	.140 (3.56)	.875 (22.23)	75 (35)
	7/16 (11)	.75 (19.1)	1.5 (38)	1.50 (38.1)	.19 (4.8)	.203 (5.16)	1.125 (28.58)	90 (40)
	1/2 (13)	.75 (19.1)	1.5 (38)	1.50 (38.1)	.19 (4.8)	.203 (5.16)	1.125 (28.58)	150 (68)
	5/8 (16)	.88 (22.2)	1.5 (38)	1.50 (38.1)	.19 (4.8)	.203 (5.16)	1.188 (30.18)	225 (100)
	3/4 (19)	1.12 (28.4)	2.0 (51)	1.75 (44.4)	.25 (6.4)	.203 (5.16)	1.438 (36.53)	350 (160)
	7/8 (22)	1.50 (38.1)	2.0 (51)	2.25 (57.1)	.25 (6.4)	.203 (5.16)	1.875 (47.63)	500 (227)
	15/16 (24)	1.50 (38.1)	2.0 (51)	2.25 (57.1)	.25 (6.4)	.203 (5.16)	1.875 (47.63)	500 (227)

BFW MINI Series – see MINI Series Products

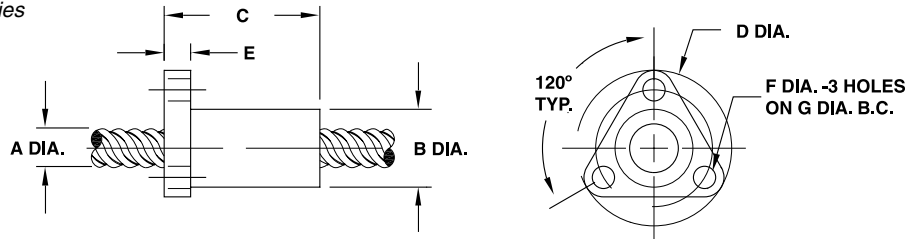


FREE-WHEELING
and SPECIALTY NUTS

BFWA Series: Flange Mount (Triangular)

	Screw Diam.	Nut Diam.	Nut Length	Flange Diam.	Flange Thickness	Mounting Hole Diam.	Bolt Circle Diam.	Dynamic Load
	A	B	C	D	E	F	G	
	inch (mm)	inch (mm)	inch (mm)	inch (mm)	inch (mm)	inch (mm)	inch (mm)	lbs (Kg)
BFWA Triangular Flange	1/4 (6)	.50 (12.7)	1.0 (25.4)	1.00 (25.4)	.17 (4.3)	.143 (3.63)	.750 (19.05)	50 (20)
	5/16 (8)	.66 (16.6)	1.9 (48.3)	1.50 (38.1)	.17 (4.3)	.197 (5.00)	1.125 (28.58)	75 (35)
	3/8 (10)	.66 (16.6)	1.9 (48.3)	1.50 (38.1)	.17 (4.3)	.197 (5.00)	1.125 (28.58)	75 (35)
	7/16 (11)	.75 (19.1)	1.9 (48.3)	1.50 (38.1)	.17 (4.3)	.197 (5.00)	1.125 (28.58)	90 (40)
	1/2 (13)	.75 (19.1)	1.9 (48.3)	1.50 (38.1)	.17 (4.3)	.197 (5.00)	1.125 (28.58)	150 (68)

BFW MINI Series
– see MINI Series
Products

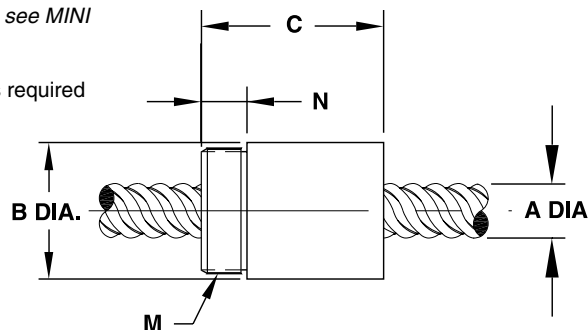


BFWT Series: Thread Mount

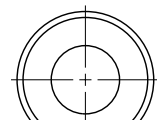
	Screw Diam.	Nut Diam.	Nut Length	Thread	Thread Length	Dynamic Load
	A	B	C	M*	N	
	inch (mm)	inch (mm)	inch (mm)	inch	inch (mm)	lbs (Kg)
BFWT Thread Mount	1/4 (6)	.63 (15.9)	1.0 (25.4)	9/16 - 18	.187 (4.75)	50 (20)
	5/16 (8)	.75 (19.1)	1.0 (25.4)	5/8 - 18	.250 (6.35)	75 (35)
	3/8 (10)	.75 (19.1)	1.0 (25.4)	5/8 - 18	.250 (6.35)	75 (35)
	7/16 (11)	1.00 (25.4)	1.5 (38.1)	15/16 - 16	.375 (9.53)	90 (40)
	1/2 (13)	1.00 (25.4)	1.5 (38.1)	15/16 - 16	.375 (9.53)	150 (68)
	5/8 (16)	1.00 (25.4)	1.5 (38.1)	15/16 - 16	.375 (9.53)	225 (100)
	3/4 (19)	1.50 (38.1)	2.0 (51)	1 3/8 - 16	.500 (12.70)	350 (160)
	7/8 (22)	1.50 (38.1)	2.0 (51)	1 3/8 - 16	.500 (12.70)	500 (227)
	15/16 (24)	1.50 (38.1)	2.0 (51)	1 3/8 - 16	.500 (12.70)	500 (227)

BFW MINI Series – see MINI
Series Products

* metric available as required



FREE-WHEELING
and SPECIALTY NUTS



Sold & Serviced By:
ELECTROMATE
Toll Free Phone (877) SERV098
Toll Free Fax (877) SERV099
www.electromate.com
sales@electromate.com

Lead-screw Assemblies: MINI Series

MINI Series – miniature style assemblies, with or without “anti-backlash” function

The Kerk® MINI Series brings Haydon Kerk Motion Solutions quality, precision and value to products that were previously off limits to lead-screw technology. To meet a wide range of applications, the MINI Series includes anti-backlash and standard assemblies.

- Using a patented take-up mechanism, the self-compensating **NTB** maintains axial stiffness throughout its life while system torque is held to a minimum.
- The **NTG** allows drag torque to be pre-set according to system requirements.
- The MINI **BFW** Series is for applications not requiring anti-backlash and wear compensation.



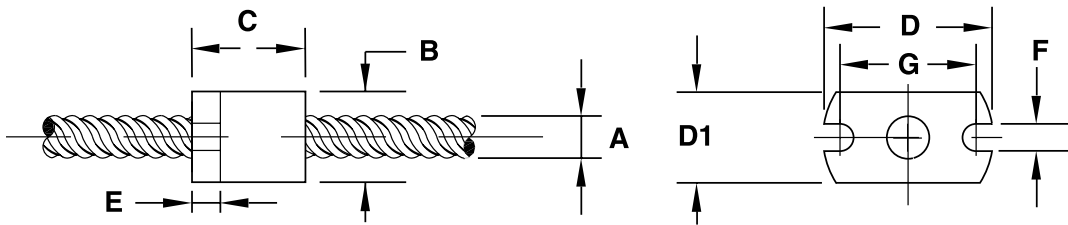
MINI SERIES
LEAD-SCREW & NUTS

All Mini Series assemblies include 303 stainless steel lead screws, available with Haydon Kerk Motion Solutions proprietary, long-life Kerkote® TFE coating. All the nuts are maintenance free, manufactured with self-lubricating polyacetal, and designed to run smoothly and efficiently on Haydon Kerk Motion Solutions precision rolled screws. Perfect for demanding applications, the MINI NTB and NTG nuts provide zero backlash with drag torque of less than 1 oz.-in. (some sizes as low as 0.1 oz.-in.)! Kerk Mini Series Lead-screw Assemblies have what it takes for affordable, precision motion control, sized to fit and built to last.

MINI Series: Flange Mount

	Screw Diam.	Nut Diam.	Nut Length	Flange Height	Flange Width	Flange Thickness	Slot Width	Bolt Circle Diam.	Dynamic Load	Drag Torque
	A inch (mm)	B inch (mm)	C inch (mm)	D1 inch (mm)	D inch (mm)	E inch (mm)	F inch (mm)	G inch (mm)	lbs (Kg)	oz-in (NM)
BFWR Flange Mount	1/8 (3)	0.40 (10.2)	0.50 (13)	0.40 (10.2)	0.75 (19.1)	0.13 (3.2)	0.120 (3.05)	0.600 (15.24)	25 (11)	free wheeling
	3/16 (5)	0.40 (10.2)	0.50 (13)	0.40 (10.2)	0.75 (19.1)	0.13 (3.2)	0.120 (3.05)	0.600 (15.24)	25 (11)	free wheeling
NTBR Flange Mount	1/8 (3)	0.40 (10.2)	0.50 (13)	0.40 (10.2)	0.75 (19.1)	0.13 (3.2)	0.120 (3.05)	0.600 (15.24)	5 (2.3)	0.5 (.004)
	3/16 (5)	0.40 (10.2)	0.50 (13)	0.40 (10.2)	0.75 (19.1)	0.13 (3.2)	0.120 (3.05)	0.600 (15.24)	5 (2.3)	0.5 (.004)
NTGR Flange Mount	1/8 (3)	0.40 (10.2)	0.50 (13)	0.40 (10.2)	0.75 (19.1)	0.13 (3.2)	0.120 (3.05)	0.600 (15.24)	5 (2.3)	0.5 (.004)
	3/16 (5)	0.40 (10.2)	0.50 (13)	0.40 (10.2)	0.75 (19.1)	0.13 (3.2)	0.120 (3.05)	0.600 (15.24)	5 (2.3)	0.5 (.004)

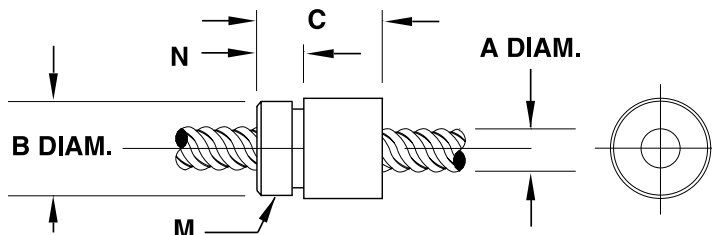
For 1/4-in diameter screws and larger, please refer to the individual sections for each nut type.

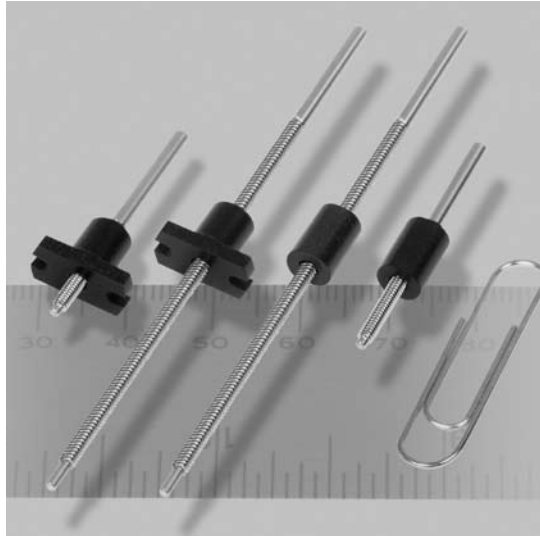


MINI Series: Thread Mount

	Screw Diam.	Nut Diam.	Nut Length	Thread	Thread Length	Dynamic Load	Drag Torque
	A inch (mm)	B inch (mm)	C inch (mm)	M* inch	N inch (mm)	lbs (Kg)	oz-in (NM)
BFWT Thread Mount	1/8 (3)	0.40 (10.2)	0.50 (13)	3/8-24	0.187 (4.75)	25 (11)	free wheeling
	3/16 (5)	0.40 (10.2)	0.50 (13)	3/8-24	0.187 (4.75)	25 (11)	free wheeling
NTBT Thread Mount	1/8 (3)	0.40 (10.2)	0.50 (13)	3/8-24	0.125 (3.18)	5 (2.3)	0.5 (.004)
	3/16 (5)	0.40 (10.2)	0.50 (13)	3/8-24	0.125 (3.18)	5 (2.3)	0.5 (.004)
NTGT Thread Mount	1/8 (3)	0.40 (10.2)	0.50 (13)	3/8-24	0.160 (4.06)	5 (2.3)	0.5 (.004)
	3/16 (5)	0.40 (10.2)	0.50 (13)	3/8-24	0.160 (4.06)	5 (2.3)	0.5 (.004)

* metric available as required





Micro Lead-screw / Nut Assemblies

Haydon Kerk Motion Solutions, recognized world-wide as a leader in linear motion, has applied their experience and knowledge of precision thread rolling to a new range of micro-sized lead-screws. Manufactured of premium grade 303 stainless steel, Kerk® Micro Series Lead Screw Assemblies provide exceptional performance, long life, and require no maintenance. High accuracy threads with superior uniformity deliver precise motion and reduce noise and vibration. Nut configurations of self-lubricating acetal and Kerkite® High Performance Composite Polymers. This remarkable product line is an enabling technology, opening up a whole new range of designs. The Micro Series allows the miniaturization of products, reduced power consumption, and weight reduction without sacrificing performance or reliability. Developed in response to growing demands in many markets, Haydon Kerk Motion Solutions has offered micro screws on a custom basis for more than 10 years. Now, available as a standard product, customers can get quicker, cost effective deliveries. The Micro Series Lead screws are available as stand-alone components or integrated into the high performance Haydon™ linear actuators.

MICRO Series LEAD-SCREWS

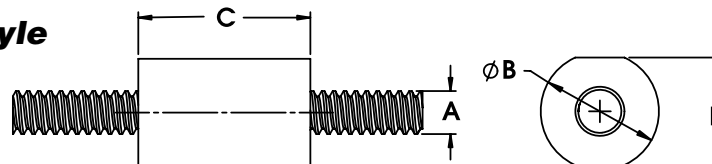
Screw Diameter inch (mm)	Diam. Code	Lead inch (mm)	Lead Code	Outside Diameter* inch (mm)	Root Diameter* inch (mm)	Efficiency % **
5/64 (2)	008	0.012 (0.30)	0012	0.079 (2.01)	0.068 (1.73)	24
		0.016 (0.40)	0016	0.075 (1.91)	0.058 (1.47)	30
		0.020 (0.50)	0020	0.077 (1.96)	0.057 (1.45)	36
		0.039 (1.00)	0039	0.079 (2.01)	0.059 (1.50)	52
		0.079 (2.00)	0079	0.077 (1.96)	0.057 (1.45)	66

* For Reference ** Theoretical values based on *uncoated* lead-screws

MICRO Series Nut Styles

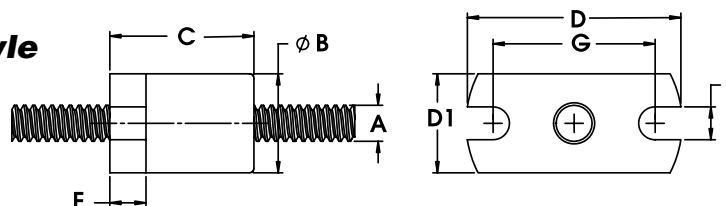
BFW Nut Style	Screw Diameter A	Nut Diameter B	Nut Length C	Nut Flats D	Dynamic Load lbs (Kg)	Drag Torque oz-in. (NM)
BFWB Barrel Mount	5/64 (2)	0.22 (5.5)	0.32 (8)	0.20 (5.08)	10 (4.5)	Free Wheeling

Barrel Nut Style



BFW Nut Style	Screw Diameter A	Nut Diameter B	Nut Length C	Flange Height D1	Flange Width D	Flange Thickness E	Slot Width F	Bolt Circle Diameter G	Dynamic Load lbs (Kg)	Drag Torque oz-in. (NM)
BFWR Rectangular Flange	5/64 (2)	0.22 (5.5)	0.32 (8)	0.22 (5.5)	0.47 (11.9)	0.08 (2.0)	0.07 (1.8)	0.35 (9.0)	10 (4.5)	Free Wheeling

Rectangular Nut Style



Sold & Serviced By:
ELECTROMATE

Toll Free Phone (877) SERV098
Toll Free Fax (877) SERV099
www.electromate.com
sales@electromate.com

MICRO SERIES
LEAD-SCREW & NUTS



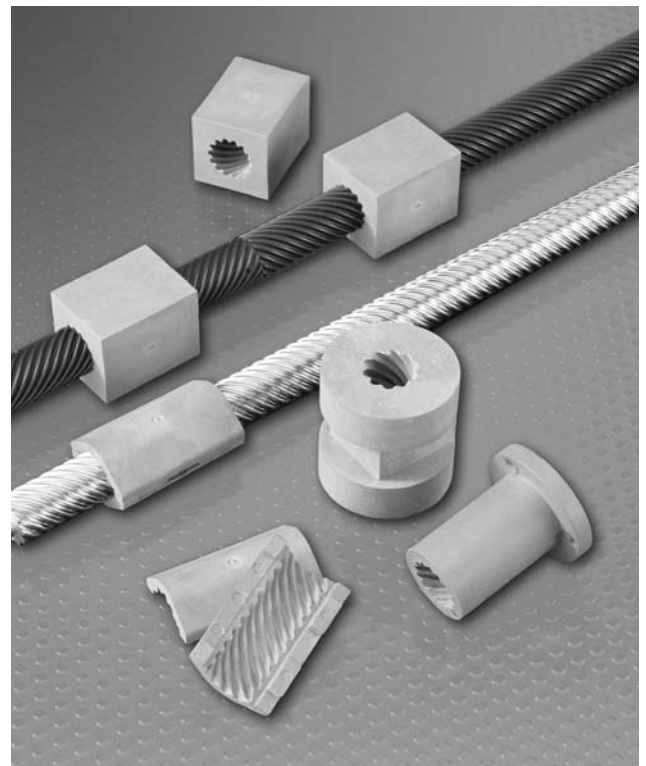
Custom Nut Configurations

In addition to The Kerk® standard nut types, modified and complete custom configurations represent a large portion of the company's production. Modifications may be simple changes such as different mounting hole patterns or mounting threads, small dimensional changes, or special materials. Haydon Kerk Motion Solutions can provide tremendous value by producing a multi-functional nut. Using custom molds and specialty machining, nuts can also include guide bushings, carriages, timing pulleys, gears, syringe components, sensor mounts and flags, encoder features, clamps and many other complimentary elements. In addition, custom designed nuts can offer quick release mounts, partial thread engagement, half nut construction or special shapes and geometries. Special materials are offered to extend the performance of our assemblies. Materials can be chosen for extreme temperature, chemical compatibility, autoclaving, agency approvals, special loadings and many other specific requirements.

Custom nut designs can include multi-functionality, eliminating additional components to simplify product manufacturing. This can deliver both cost- and space-saving benefits.



Custom geometries and custom materials can be combined for a wide variety of product application requirements.



FREE-WHEELING
and SPECIALTY NUTS



ScrewRails[®], Spline Shafts and Linear Guide Rails

Kerk® ScrewRail® Linear Actuators

Linear motion has traditionally required separate components to handle both drive and support/guidance. The compact Kerk® ScrewRail® combines both functions in a single, coaxial component. By eliminating the need for external rail-to-screw alignment, the ScrewRail simplifies the design, manufacture and assembly of motion systems. The ScrewRail's coaxial design saves as much as 80% of the space used by a two-rail system and is generally less expensive than the equivalent components purchased separately. The savings can be substantial due to lower component costs and reduced labor. An added benefit is the ability to get three-dimensional motion from a single ScrewRail.



The ScrewRail consists of a precision rolled lead screw, supported by sealed bearings and contained within a concentric steel guide rail, driving an integrated nut/bushing. Because all the alignment requirements are achieved within the ScrewRail, support and positioning of the ScrewRail is much less critical than with traditional slide assemblies. Kerkote® TFE coating and self-lubricating nut/bushing materials ensure long life without maintenance.



When mounted vertically, the ScrewRail can be used to simultaneously lift and rotate (Z-theta motion). With one motor driving the screw and a second rotating the rail, a compact, self-supporting pick and place mechanism can be created.

*Z-Theta
ScrewRail
Assembly*

Guides: ScrewRail® Linear Actuators

Haydon Kerk Motion Solutions, Inc. • www.HaydonKerk.com • Phone: 800.243.2715 • International: 203.756.7441



Identifying the part number codes when ordering ScrewRail®

SR	Z	06	K	R	A00	0100	08	XXX
Prefix: SR = ScrewRail®	Nut Style A = free-wheeling style nut Z = Anti-Backlash Nut	Nominal Rail Diam. 03= 3/8-in 04= 1/2-in 06= 3/4-in 08= 1-in (see SR specifications chart)	Coating S = Uncoated K = Kerkote®	Thread R = Right hand L = Left hand	Drive/Mounting A00 = Standard	Nominal Thread Lead Code (inches) 0000 = No screw Code numbers in ScrewRail® Selector Chart	Stroke (in inches rounded up) 07 = 7-in 08 = 8-in 12 = 12-in	Unique Identifier Proprietary suffix assigned to a specific customer application. The identifier can apply to either a standard or custom part.

EXAMPLES:

SRZ06KR-A00-0100-08-xxx = ScrewRail® with anti-backlash nut, 3/4-in nominal rail diameter, lead-screw with Kerkote® TFE coating, right hand thread, standard mount, 0.1-in (2.54 mm) thread lead, 8-in over all length with no added features.

SRA03SL-A00-0050-07-xxx = ScrewRail® with a conventional (without anti-backlash mechanism) nut, 3/8-in nominal rail diameter, uncoated lead-screw, left hand thread, standard mount, 0.05-in (.127 mm) thread lead, 7-in stroke with no added features.

For assistance or order entry, call the Haydon Kerk Motion Solutions Engineering at 603.465.7227. Other systems and styles may be available. Visit www.HaydonKerk.com for recent updates.

Identifying the part number codes when ordering ScrewRail® End Supports

SR	04	ES	Z00
Prefix: SR = ScrewRail®	Size 04= 1/2-in 06= 3/4-in 08= 1-in	ES = End Support	Identifier = Standard

Kerk® SRA Series General Purpose ScrewRail® Linear Actuators

A standard nut for general applications where anti-backlash compensation is not required.

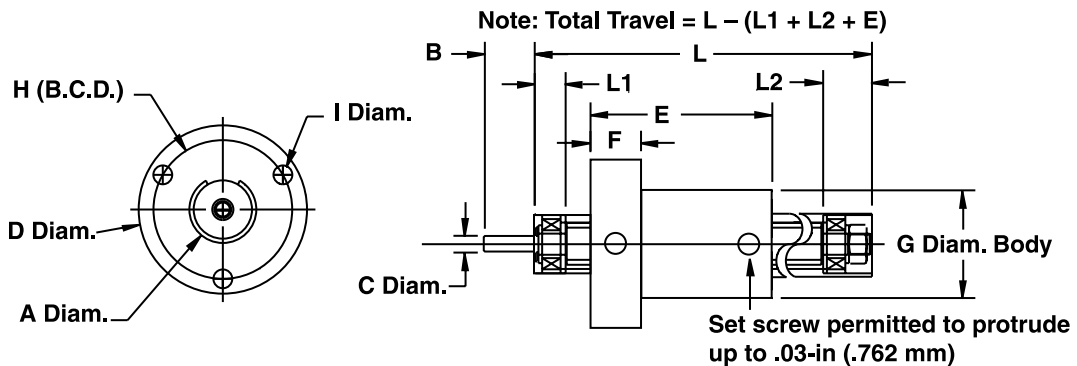
The SRA is recommended anywhere low drag and minimal free play is required.

Note: Right-hand/Left-hand ScrewRail® assemblies are also available.



ScrewRail®: SRA Series General Purpose

	A Diam. inch (mm)	B inch (mm)	C Diam. inch (mm)	D Diam. inch (mm)	E inch (mm)	F inch (mm)	G Diam. inch (mm)	H(B.C.D.) inch (mm)	I inch (mm)	L1 inch (mm)	L2 inch (mm)
SRA 03	.364/.367 (9.24/9.32)	.38 (9.56)	.1245/.1250 (3.16/3.18)	.98 (24.9)	1.0 (25.4)	.28 (7.2)	.562 (14.3)	.75 (19.1)	.094 (2.39)	.37 (9.4)	.38 (9.66)
SRA 04	.489/.492 (12.42/12.5)	0.62 (15.75)	.1870/.1875 (4.75/4.76)	1.25 (31.8)	1.4 (36)	.38 (9.5)	.750 (19.1)	1.03 (26.2)	0.140 (3.56)	0.26 (6.6)	0.36 (9.1)
SRA 06	.739/.742 (18.77/18.85)	0.75 (19.05)	.2490/.2495 (6.33/6.34)	1.75 (44.5)	2.0 (51)	.50 (12.7)	1.120 (28.4)	1.48 (37.6)	0.173 (4.39)	0.38 (9.7)	0.70 (17.8)
SRA 08	.989/.992 (25.12/25.2)	0.75 (19.05)	.2490/.2495 (6.33/6.34)	2.23 (56.6)	2.5 (64)	.63 (15.9)	1.495 (38.0)	1.92 (48.8)	0.200 (5.08)	0.48 (12.2)	0.77 (19.6)





Kerk® SRZ Series Anti-Backlash ScrewRail® Linear Actuators

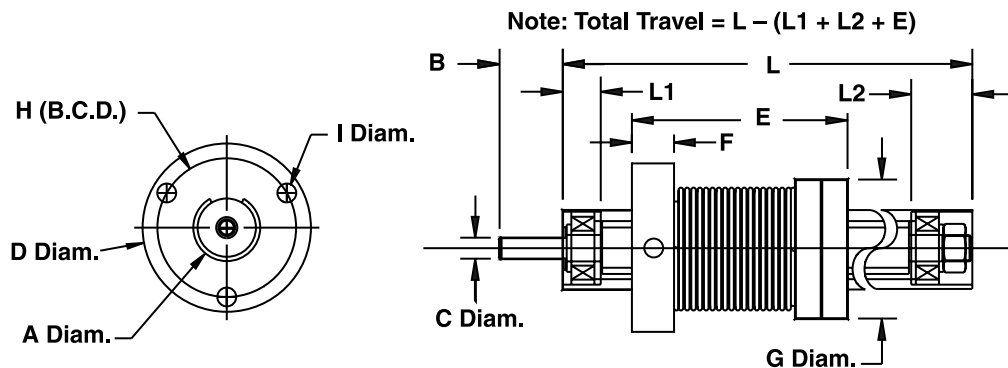
A nut designed and manufactured with our unique axial take-up mechanism providing continuous self-adjusting anti-backlash compensation.

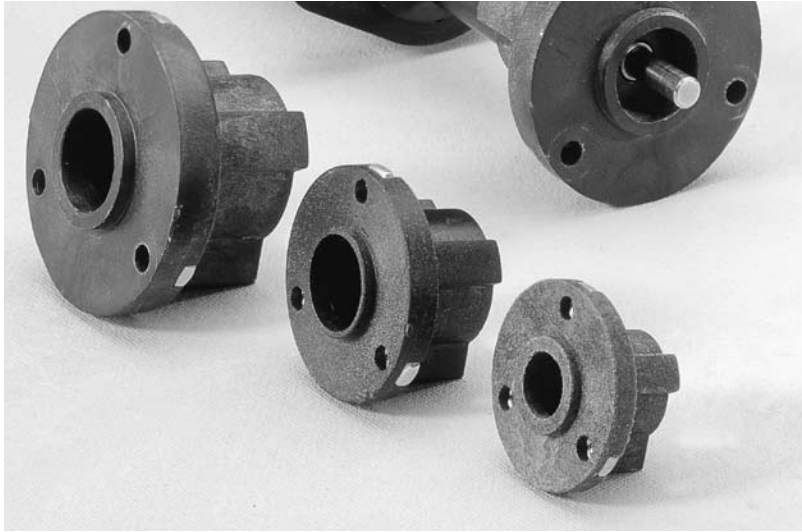
Note: Right-hand/Left-hand ScrewRail® assemblies are also available.

ScrewRail®: SRZ Series Anti-Backlash

	A Diam. inch (mm)	B inch (mm)	C Diam. inch (mm)	D Diam. inch (mm)	E inch (mm)	F inch (mm)	G Diam. inch (mm)	H(B.C.D.) inch (mm)	I (Brass Inserts) inch (mm)	L1 inch (mm)	L2 inch (mm)
SRZ 03	.364/.367 (9.24/9.32)	.38 (9.56)	.1245/.1250 (3.16/3.18)	.98 (24.9)	1.1 (27.94)	.28 (7.2)	.73 (18.5)	.75 (19.05)	#2-56 (*)	.37 (9.4)	.38 (9.66)
SRZ 04	.489/.492 (12.42/12.5)	0.62 (15.75)	.1870/.1875 (4.75/4.76)	1.31 (33.3)	1.4 (36)	.38 (9.5)	.097 (24.7)	1.03 (26.2)	#6-32 (*)	0.26 (6.6)	0.36 (9.1)
SRZ 06	.739/.742 (18.77/18.85)	0.75 (19.05)	.2490/.2495 (6.33/6.34)	1.81 (46.0)	2.0 (51)	.50 (12.7)	1.38 (35.1)	1.48 (37.6)	#10-32 (*)	0.38 (9.7)	0.70 (17.8)
SRZ 08	.989/.992 (25.12/25.2)	0.75 (19.05)	.2490/.2495 (6.33/6.34)	2.30 (58.4)	2.5 (64)	.63 (15.9)	1.72 (43.7)	1.92 (48.8)	#10-32 (*)	0.48 (12.2)	0.77 (19.6)

* metric available as requested





**ScrewRail®
Linear Actuators:
End Supports**

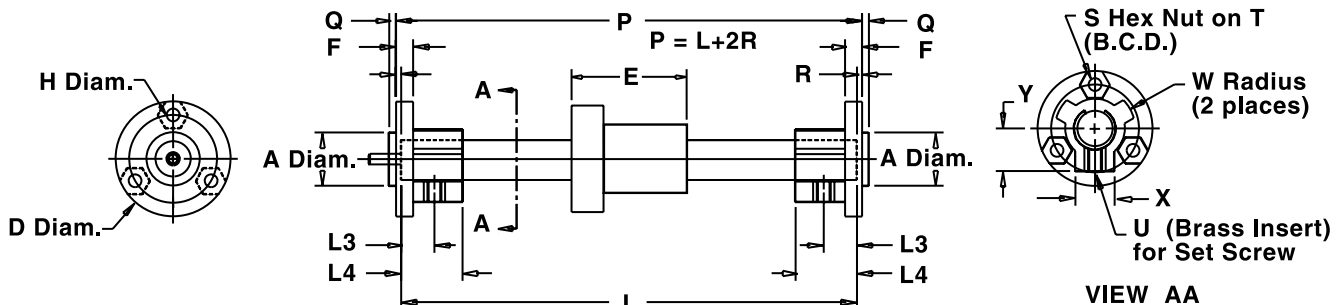
As an additional option for all Kerk® ScrewRails, standard End Supports offer the convenience of simple and compact mounting for the ScrewRail. The End Supports are designed to slide over the outside diameter of each end of the rail and “key” off the slot in the ScrewRail. The Kerkite® composite polymer End Supports come standard with three hex nuts that are captured in the flange for easy assembly. The End Supports are also supplied with a brass threaded insert and a set screw to fasten to the outside diameter of the rail.

With the End Supports, the Kerk ScrewRail can be easily mounted to your assembly. However, if the End Supports are not utilized it is recommended to center the clamping force on each end at the L3 dimension as shown in the drawing below.

ScrewRail®: End Support Styles

	A Diam. inch (mm)	D inch (mm)	F inch (mm)	H Diam. inch (mm)	L3 inch (mm)	L4 inch (mm)	Q inch (mm)	R inch (mm)	S inch (mm)	T (Hex Nut) inch (mm)	U inch (mm)	W Diam. (Brass Insert) inch (mm)	X inch (mm)	Y inch (mm)
SRA 04	.624/.626 (15.85/15.90)	1.35 (34.3)	0.200 (5.08)	0.150 (3.81)	0.390 (9.91)	.720 (18.29)	0.080 (2.03)	0.060 (1.52)	#6-32 (*)	1.03 (26.2)	#8-32	0.47 (12.0)	0.460 (11.68)	0.500 (12.70)
SRA 06	.749/.751 (19.03/19.08)	1.60 (40.6)	0.250 (6.35)	0.173 (4.39)	0.603 (15.32)	0.900 (22.86)	0.100 (2.54)	0.100 (2.54)	#8-32 (*)	1.31 (33.3)	#10-32	0.60 (15.3)	0.594 (15.09)	0.645 (16.38)
SRA 08	.999/1.001 (25.38/25.43)	2.20 (55.9)	0.375 (9.53)	0.200 (5.08)	0.920 (23.37)	1.200 (30.48)	0.125 (3.18)	0.175 (4.45)	#10-32 (*)	1.82 (46.2)	#10-32	0.82 (20.9)	0.800 (20.32)	0.820 (20.83)

* metric available as requested



Dimensions E and L are referenced in the ScrewRail Dimensions
Note: Total Travel = L – (E + 2 [L4])

REWRAIL® GUIDE SCREW
LINEAR ACTUATORS

Guides: ScrewRail[®] Linear Actuators

Haydon Kerk Motion Solutions, Inc. • www.HaydonKerk.com • Phone: 800.243.2715 • International: 203.756.7441

SRA Series Selector Chart ScrewRail[®] Linear Actuators

ScrewRail	Inch Lead **	Thread Lead Code	Nominal Rail Diam.	Nominal Screw Diam.	Max. Drag Torque	Life @ 1/4 Design Loadx10 ⁶ (Non Anti-Backlash)	Torque-to-Move Lead	Design Load	Screw Inertia per unit length	Equivalent Diam.*
	inch (mm)					oz - in (NM)				
SRA 03	.050 (1.27)	0050	3/8 (10)	3/16 (5)	1.5 (0.014)	100 to 150 (250 to 380)	0.5 (0.007)	10 (50)	.1 x 10 ⁻⁵ (.4 x 10 ⁻⁶)	30 (7.6)
SRA 03	.100 (2.54)	0100	3/8 (10)	3/16 (5)	2.0 (0.018)	100 to 150 (250 to 380)	1.0 (0.016)	10 (50)	.1 x 10 ⁻⁵ (.4 x 10 ⁻⁶)	30 (7.6)
SRA 03	.250 (6.35)	0250	3/8 (10)	3/16 (5)	2.5 (0.020)	100 to 150 (250 to 380)	1.25 (0.019)	10 (50)	.1 x 10 ⁻⁵ (.4 x 10 ⁻⁶)	30 (7.6)
SRA 03	.375 (9.53)	0375	3/8 (10)	3/16 (5)	3.0 (0.025)	100 to 150 (250 to 380)	2.0 (0.030)	10 (50)	.1 x 10 ⁻⁵ (.4 x 10 ⁻⁶)	30 (7.6)
SRA 04	0.050 (1.27)	0050	1/2 (13)	1/4 (6)	2.0 (0.015)	150 to 200 (380 to 500)	0.5 (0.007)	25 (10)	.3 x 10 ⁻⁵ (1.3 x 10 ⁻⁶)	.39 (9.9)
SRA 04	0.250 (6.35)	0250	1/2 (13)	1/4 (6)	3.0 (0.020)	150 to 200 (380 to 500)	1.5 (0.023)	25 (10)	.3 x 10 ⁻⁵ (1.3 x 10 ⁻⁶)	.39 (9.9)
SRA 04	0.500 (12.7)	0500	1/2 (13)	1/4 (6)	4.0 (0.030)	150 to 200 (380 to 500)	2.5 (0.039)	25 (10)	.3 x 10 ⁻⁵ (1.3 x 10 ⁻⁶)	.39 (9.9)
SRA 04	1.000 (25.40)	1000	1/2 (13)	1/4 (6)	5.0 (0.040)	150 to 200 (380 to 500)	4.5 (.0.70)	25 (10)	.3 x 10 ⁻⁵ (1.3 x 10 ⁻⁶)	.39 (9.9)
SRA 06	0.100 (2.54)	0100	3/4 (19)	3/8 (10)	3.0 (0.020)	180 to 280 (450 to 710)	1.0 (0.016)	50 (20)	1.5 x 10 ⁻⁵ (6.5 x 10 ⁻⁶)	.60 (15.2)
SRA 06	0.200 (5.08)	0200	3/4 (19)	3/8 (10)	4.0 (0.030)	180 to 280 (450 to 710)	1.5 (0.023)	50 (20)	1.5 x 10 ⁻⁵ (6.5 x 10 ⁻⁶)	.60 (15.2)
SRA 06	0.500 (12.70)	0500	3/4 (19)	3/8 (10)	5.0 (0.040)	180 to 280 (450 to 710)	2.5 (0.039)	50 (20)	1.5 x 10 ⁻⁵ (6.5 x 10 ⁻⁶)	.60 (15.2)
SRA 06	1.000 (25.4)	1000	3/4 (19)	3/8 (10)	6.0 (0.045)	180 to 280 (450 to 710)	4.5 (0.070)	50 (20)	1.5 x 10 ⁻⁵ (6.5 x 10 ⁻⁶)	.60 (15.2)
SRA 08	0.100 (2.54)	0100	1 (25)	1/2 (13)	4.0 (0.030)	280 to 320 (710 to 810)	1.0 (0.016)	100 (45)	5.2 x 10 ⁻⁵ (20.0 x 10 ⁻⁶)	.81 (20.5)
SRA 08	0.200 (5.08)	0200	1 (25)	1/2 (13)	5.0 (0.040)	280 to 320 (710 to 810)	1.5 (0.023)	100 (45)	5.2 x 10 ⁻⁵ (20.0 x 10 ⁻⁶)	.81 (20.5)
SRA 08	0.500 (12.70)	0500	1 (25)	1/2 (13)	6.0 (0.045)	280 to 320 (710 to 810)	2.5 (0.039)	100 (45)	5.2 x 10 ⁻⁵ (20.0 x 10 ⁻⁶)	.81 (20.5)
SRA 08	1.000 (25.40)	1000	1 (25)	1/2 (13)	8.0 (0.060)	280 to 320 (710 to 810)	4.5 (0.070)	100 (45)	5.2 x 10 ⁻⁵ (20.0 x 10 ⁻⁶)	.81 (20.5)

*ScrewRail[®] stiffness may be modeled using Classical Beam Deflection Theory with equivalent stainless steel beam of diameter given.

** Other leads available as custom orders.

SRZ Series Selector Chart ScrewRail® Linear Actuators

ScrewRail	Inch Lead ** inch (mm)	Thread Lead Code	Nominal Rail Diam. inch (mm)	Nominal Screw Diam. inch (mm)	Max. Drag Torque oz - in (NM)	Life @	Torque-to-Move Lead oz-in/lb (NM/Kg)	Design Load lbs (Kg)	Screw Inertia per unit length oz-in sec ² /in (KgM ² /M)	Equivalent Diam.* inch (mm)
						1/4 Design Load x 10 ⁵ (Non Anti-Backlash) inch (cm)				
SRZ 03	.050 (1.27)	0050	3/8 (10)	3/16 (5)	2.0 (0.014)	50 to 80 (130 to 200)	0.5 (0.007)	10 (50)	.1 x 10 ⁻⁵ (.4 x 10 ⁻⁶)	30 (7.6)
SRZ 03	.100 (2.54)	0100	3/8 (10)	3/16 (5)	2.5 (0.018)	50 to 80 (130 to 200)	1.0 (0.016)	10 (50)	.1 x 10 ⁻⁵ (.4 x 10 ⁻⁶)	30 (7.6)
SRZ 03	.250 (6.35)	0250	3/8 (10)	3/16 (5)	3.0 (0.020)	50 to 80 (130 to 200)	1.25 (0.019)	10 (50)	.1 x 10 ⁻⁵ (.4 x 10 ⁻⁶)	30 (7.6)
SRZ 03	.375 (9.53)	0375	3/8 (10)	3/16 (5)	3.5 (0.025)	50 to 80 (130 to 200)	2.0 (0.030)	10 (50)	.1 x 10 ⁻⁵ (.4 x 10 ⁻⁶)	30 (7.6)
SRZ 04	0.050 (1.27)	0050	1/2 (13)	1/4 (6)	3.0 (0.020)	75 to 100 (190 to 250)	0.5 (0.007)	25 (10)	.3 x 10 ⁻⁵ (1.3 x 10 ⁻⁶)	.39 (9.9)
SRZ 04	0.250 (6.35)	0250	1/2 (13)	1/4 (6)	4.0 (0.030)	75 to 100 (190 to 250)	1.5 (0.023)	25 (10)	.3 x 10 ⁻⁵ (1.3 x 10 ⁻⁶)	.39 (9.9)
SRZ 04	0.500 (12.7)	0500	1/2 (13)	1/4 (6)	5.0 (0.040)	75 to 100 (190 to 250)	2.5 (0.039)	25 (10)	.3 x 10 ⁻⁵ (1.3 x 10 ⁻⁶)	.39 (9.9)
SRZ 04	1.000 (25.40)	1000	1/2 (13)	1/4 (6)	6.0 (0.045)	75 to 100 (190 to 250)	4.5 (.0.70)	25 (10)	.3 x 10 ⁻⁵ (1.3 x 10 ⁻⁶)	.39 (9.9)
SRZ 06	0.100 (2.54)	0100	3/4 (19)	3/8 (10)	6.0 (0.045)	90 to 140 (230 to 350)	1.0 (0.016)	50 (20)	1.5 x 10 ⁻⁵ (6.5 x 10 ⁻⁶)	.60 (15.2)
SRZ 06	0.200 (5.08)	0200	3/4 (19)	3/8 (10)	6.5 (0.047)	90 to 140 (230 to 350)	1.5 (0.023)	50 (20)	1.5 x 10 ⁻⁵ (6.5 x 10 ⁻⁶)	.60 (15.2)
SRZ 06	0.500 (12.70)	0500	3/4 (19)	3/8 (10)	7.0 (0.050)	90 to 140 (230 to 350)	2.5 (0.039)	50 (20)	1.5 x 10 ⁻⁵ (6.5 x 10 ⁻⁶)	.60 (15.2)
SRZ 06	1.000 (25.4)	1000	3/4 (19)	3/8 (10)	7.5 (0.053)	90 to 140 (230 to 350)	4.5 (0.070)	50 (20)	1.5 x 10 ⁻⁵ (6.5 x 10 ⁻⁶)	.60 (15.2)
SRZ 08	0.100 (2.54)	0100	1 (25)	1/2 (13)	8.0 (0.057)	120 to 160 (350 to 410)	1.0 (0.016)	100 (45)	5.2 x 10 ⁻⁵ (20.0 x 10 ⁻⁶)	.81 (20.5)
SRZ 08	0.200 (5.08)	0200	1 (25)	1/2 (13)	8.5 (0.060)	120 to 160 (350 to 410)	1.5 (0.023)	100 (45)	5.2 x 10 ⁻⁵ (20.0 x 10 ⁻⁶)	.81 (20.5)
SRZ 08	0.500 (12.70)	0500	1 (25)	1/2 (13)	9.0 (0.064)	120 to 160 (350 to 410)	2.5 (0.039)	100 (45)	5.2 x 10 ⁻⁵ (20.0 x 10 ⁻⁶)	.81 (20.5)
SRZ 08	1.000 (25.40)	1000	1 (25)	1/2 (13)	9.5 (0.067)	120 to 160 (350 to 410)	4.5 (0.070)	100 (45)	5.2 x 10 ⁻⁵ (20.0 x 10 ⁻⁶)	.81 (20.5)

*ScrewRail® stiffness may be modeled using Classical Beam Deflection Theory with equivalent stainless steel beam of diameter given.

** Other leads available as custom orders.

Spline Shafts and Guide Rails



Haydon Kerk Motion Solutions, Inc. • www.HaydonKerk.com • Phone: 800.243.2715 • International: 203.756.7441



**SS / SZ Series:
Spline Shafts**



**GR Series: Linear Guide Rails
and Bushings**

Kerk® SS / SZ Series Spline Shafts

The Kerk® Spline Shaft (SS/SZ) series spline shaft system has been designed for light to moderate load applications, where low cost, low friction, and long life are primary design considerations.

Kerk Spline Shafts provide anti-rotation for one axis motion or a drive mechanism with rotation for two axes of motion. They are excellent alternatives for applications where hex shafts, square shafts and high-cost ball splines are typically used.

The assembly consists of a stainless steel spline shaft treated with Haydon Kerk Motion Solutions, Inc. proprietary low friction Kerkote® TFE coating, mated with a Kerkite® composite polymer bushing. The bushing is supplied with an integral brass collar to facilitate various mounting configurations without nut distortion.

Standard shaft straightness is .003-in (.08mm/30cm) per foot. Typical radial and torsional clearance between shaft and bushing for a basic assembly (SSA) is .002-in to .003-in (.05-.08mm). An anti-backlash assembly (SZA) is available for applications requiring minimum torsional play.

As with other Kerk® assemblies, special bushing configurations and end machining configurations are available upon request. Aluminum or carbon steel spline shafts are also available upon request.

Identifying the part numbers when ordering Spline Shafts and Guide Rails

SS	A	F	04	1	K	-	08	-	XXX
Prefix	Style	Mounting	Rail Diameter	Number of Bushings per Rail	Coating		Length in Inches (Rounded up)		Unique Identifier
SS = Spline Shaft SZ = Anti-Backlash Spline Shaft GR = Guide Rail	A = Assembly B = Bushing only S = Shaft only	F = Flanged T = Threaded G = Snap ring groove P = Plain (no features) S = Shaft only	02 = 1/8-in 04 = 1/4-in 06 = 3/8-in 08 = 1/2-in 12 = 3/4-in	0 1 2 3 4 5 (Use "0" for shaft only and use "1" if bushing only)	S = Uncoated K = Kerkote® B = Black Ice™ N = Bushing only		Example: 06 = 6-in, 08 = 8-in 00 = Bushing only		Proprietary suffix assigned to a specific customer application. The identifier can apply to either a standard or custom part.

EXAMPLES:

SZAT041K-12-XXXX = Spline shaft with anti-backlash, shaft and threaded bushing assembly, 1/4-in shaft, 1 bushing per rail, Kerkote® coating, 12-in length, with no special features added.

GRBPO41N-00-XXXX = Guide rail, plain bushing only, 1/4-in shaft, with no special features added.

SPLINE SHAFTS AND GUIDE RAILS

Sold & Serviced By:

 Toll Free Phone (877) SERV098
 Toll Free Fax (877) SERV099
 www.electromate.com
 sales@electromate.com

SS Series Spline Shafts

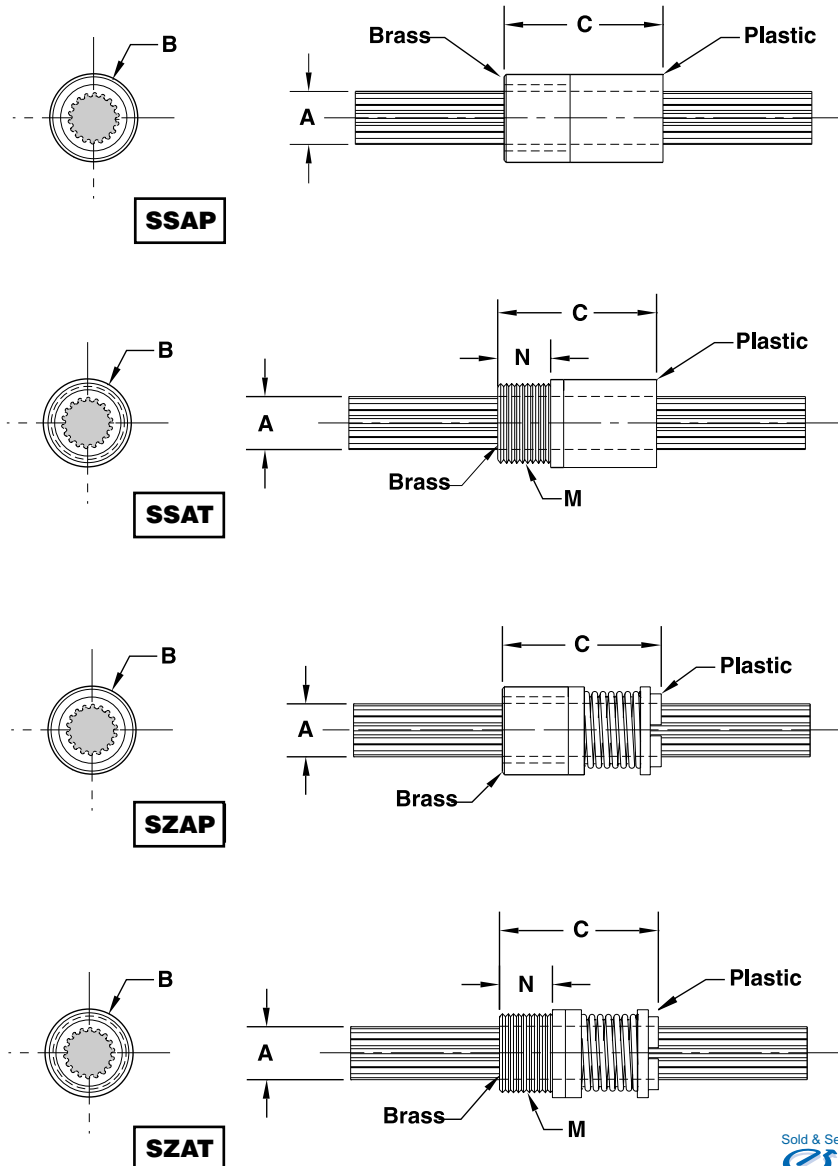
Rail Diameter Code	Shaft	Root Diameter	Tube I.D.	Bushing Outside	Bushing Length	Thread	Thread Length	Equivalent Diameter**	
	A in ± .002 (mm ± 0.05)	in ± .002 (mm ± 0.05)	in ± .002 (mm ± 0.05)	B in ± .001 (mm ± 0.025)	C in ± .01 (mm ± 0.25)	M	N in ± .002 (mm ± 0.05)	inch (mm)	
SS/SZ	02	.125 (3.18)	.095 (2.41)	NA	0.375 (9.53)	0.500 (12.70)	3/8-24	0.250 (6.35)	.110 (2.79)
	04	0.250 (6.35)	.202 (5.13)	NA	0.500 (12.70)	0.75 (19.1)	7/16-20	0.250 (6.35)	.226 (5.74)
	06	0.375 (9.53)	.306 (7.77)	NA	0.625 (15.88)	1.00 (25.4)	9/16-20	0.375 (9.53)	.341 (8.65)
	08	0.500 (12.70)	4.19 (10.64)	NA	0.813 (20.65)	1.50 (38.1)	3/4-20	0.500 (12.70)	.458 (11.63)
	12	0.750 (19.05)	.630 (16.00)	NA	1.125 (28.58)	2.25 (57.2)	1-16	0.750 (19.05)	.690 (17.53)

Maximum Twist:
3°/ft about Spline Shaft axis

Torsional Clearance (SSA):
3° Bushing to Shaft

Spline Shaft stiffness may be modeled as a round rod with diameters given.

0.125-in rail size only available in SSAP and SSAT styles.



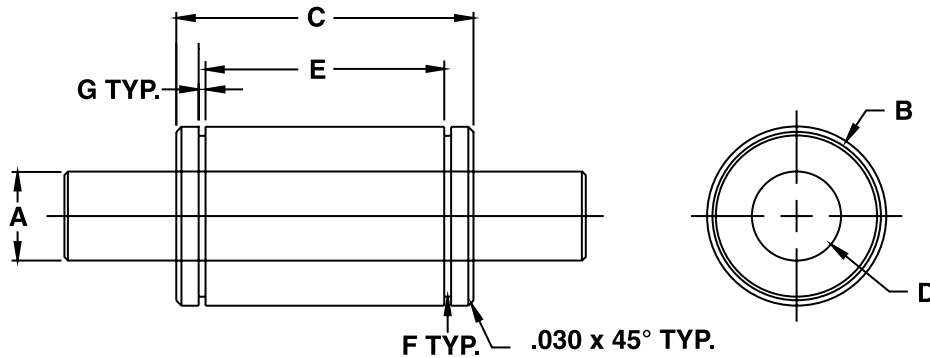
Kerk® GR Series Linear Rails and Bushings

The GR Series linear rail system has been designed for light load applications where low cost, minimum frictional drag and long wear life are primary design considerations.

The assembly consists of a centerless ground and burnished stainless steel shaft mated with a Kerkite® composite polymer bushing. The material combinations have been selected so that thermal fluctuations have minimal effect on system performance. Additional lubricity and extended life can be obtained by using a low friction Kerkote® TFE coating on support shafts available in both stainless and alloy steel.

Standard shaft straightness is .002-in (0.05mm) per foot and typical radial clearance between shaft and bushing is .0005-in (.013mm) on non-coated assemblies and .001-in (.025mm) on Kerkote TFE coated assemblies.

Bushings are manufactured with standard retaining ring grooves.



Rail Diameter Code	Standard Part Lengths	Rail Diameter	Rail Diameter w/TFE	Bushing Outside Diam.	Bushing Length	Bushing Inside Diam.	Snap Ring Groove Location	Snap Ring Groove Diam.	Snap Ring Groove Width	Rail Chamfer	Radial Load	
	A	A	A	B	C	D	E	F	G	H		
	in ± .010 (mm 0.25)	in ± .0006 (mm 0.015)	in ± .0006 (mm 0.015)	in ± .0006 (mm 0.015)	in ± .010 (mm 0.25)	in ± .0005 (mm 0.013)	in +.010 -.000 (mm 0.25)	in ± .004 (mm 0.100)	in ± .0003 (mm 0.008)	in (mm)	lbs (Kg)	
GR	04	6/8	.2475	.2472	.5000	.765	.2485	.535	.450	.040	.020	5
		10/12	(6.287)	(6.279)	(12.700)	(19.43)	(6.311)	(13.59)	(11.43)	(1.02)	(.51)	(2.3)
	06	6/12	.3715	.3712	.7500	1.275	.3725	.995	.676	.046	.020	10
		15/18	(9.436)	(9.428)	(19.050)	(32.39)	(9.462)	(25.27)	(17.17)	(1.17)	(.51)	(4.5)
	08	12/15	.4965	.4962	1.0000	1.660	.4975	1.330	.900	.046	.020	15
		18/24	(12.611)	(12.603)	(25.400)	(42.16)	(12.637)	(33.78)	(22.86)	(1.17)	(.51)	(6.8)
	12	18/24	.7415	.7412	1.2500	2.036	.7425	1.620	1.125	.058	.030	25
		36	(18.834)	(18.826)	(31.750)	(51.72)	(18.860)	(41.15)	(28.60)	(1.47)	(.76)	(11.4)

HaydonKerk Motion Solutions • www.HaydonKerk.com • Phone: 800.211.1111 • Fax: 203.756.7441

Stepper Motor Linear Actuators

Stepper Motor Linear Actuators: Product Summary

Haydon Kerk Motion Solutions, Inc. • www.HaydonKerk.com • Phone: 800.243.2715 • International: 203.756.7441

STEPPER MOTOR TUTORIAL

Hybrid Linear Actuators

Series	Size (square)	Configuration [#]	Stroke (mm)		Max Force (N)	Travel/step (micron)
			C [#]	NC / EL [#]		
21000	21 mm (0.8-in)	C / NC / EL	9 - 38.1	Up to ≈ 200	2 - 44	1.5 - 40
28000	28 mm (1.1-in)	C / NC / EL	12.7 - 63.5	Up to ≈ 250	15 - 90	3 - 50
35000	35 mm (1.4-in)	C / NC / EL	12.7 - 63.5	Up to ≈ 300	50 - 220	1.5 - 50
43000	43 mm (1.7-in)	C / NC / EL	12.7 - 63.5	Up to ≈ 400	100 - 220	1.5 - 50
57000	57 mm (2.3-in)	C / NC / EL	12.7 - 63.5	Up to ≈ 500	300 - 890	4 - 50
87000	87 mm (3.4-in)	C / NC / EL	12.7 - 63.5	Up to ≈ 500	400 - 2224	12.7 - 127

Double Stack Hybrid Linear Actuators

Series	Size (square)	Configuration [#]	Stroke (mm)		Max Force (N)	Travel/step (micron)
			C [#]	NC / EL [#]		
28000	28 mm (1.1-in)	C / NC / EL	12.7 - 63.5	Up to ≈ 250	30 - 133 ^A	3 - 50
35000	35 mm (1.4-in)	C / NC / EL	12.7 - 63.5	Up to ≈ 300	50 - 220 ^A	15.8 - 127
43000	43 mm (1.7-in)	C / NC / EL	12.7 - 63.5	Up to ≈ 400	50 - 337	15.8 - 127
57000	57 mm (2.3-in)	C / NC / EL	12.7 - 63.5	Up to ≈ 500	150 - 890 ^A	12.7 - 127

^A Maximum force limited by bearing capabilities.

Dual Action Actuators

Size (square)	Torque (Ncm)	Linear Stroke (mm)	Max Force	Travel/step (micron)	Load Limits
35 mm (1.4-in)	12.7	Up to 101.6 [†]	50 - 220 N (25 lbs)	3 - 50	133 N (30 lbs)
43 mm (1.7-in)	13	Up to 101.6 [†]	100 - 220 N (50 lbs)	1.5 - 50	222 N (50 lbs)

[†] Standard strokes: 25.4 mm (1-in.), 50.8 mm (2-in.) and 101.6 mm (4-in.).

Can-Stack Linear Actuators

Series	Ø Size	Configuration [#]	Stroke (mm)		Max Force (N)	Travel/step (micron)
			C [#]	NC / EL [#]		
G4 19000	20 mm (.79-in)	C / NC / EL	14 - 31	Up to ≈ 150	12 - 50	25 - 100
G4 25000	26 mm (1-in)	C / NC / EL	13 - 31	Up to ≈ 150	20 - 90	12.7 - 100
G4 37000	36 mm (1.4-in)	C / NC / EL	17 - 38	Up to ≈ 150	30 - 260	12.7 - 100
LC15	15 mm (.59-in)	C	12.7	–	7	20
(Z)20000	20 mm (.79-in)	C / NC / EL	12.7	Up to ≈ 150	3 - 35	25 - 100
(Z)26000	26 mm (1-in)	C / NC / EL	12.7 - 31	Up to ≈ 150	10 - 80	6 - 100
36000	36 mm (1.4-in)	C / NC / EL	15.5	Up to ≈ 150	15 - 160	3 - 100
46000	46 mm (1.8-in)	C / NC / EL	23.1	Up to ≈ 200	20 - 260	12.7 - 400

[#] Configurations = Captive / Non-captive / External Linear Lead-screws

Drives

	Type	Motor Leads	Input Voltage (VDC)	Current/Phase (I)	Microstepping Resolution
40105	Chopper	4	20 - 40	2	2
44103	Chopper	4*	24 - 28	1	8
DCS4020	Chopper	4	24 - 40	2	2
DCM4826X	Chopper	4	12 - 48	2.6	64
DCM8028	Chopper	4 / 6 / 8	20 - 80 E	2.8	256
DCM8055	Chopper	4 / 6 / 8	20 - 80 E	5.5	256

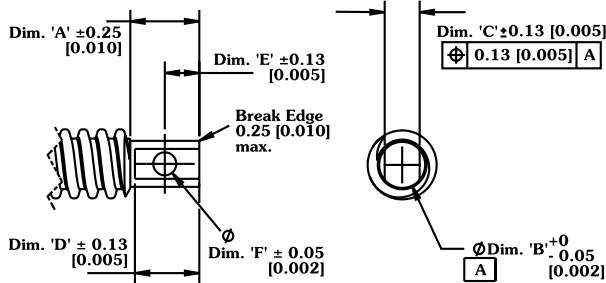
^{*} 5V motors only. E = For Europe – the max. input voltage must be limited to 70 VDC (CE regulations).

Integrated Electronic Drive

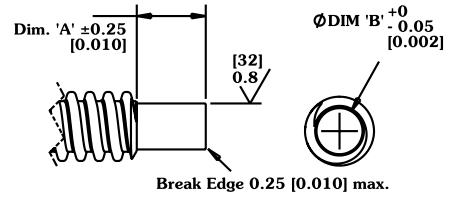
	Type	Input Voltage (VDC)	Programming	Connector	I/O inputs - I/O outputs
IDEA DRIVE	Chopper	12 - 75 VDC	Graphic User Interface	USB/RS-485	8 opto-isolated

Standard End Machining: Non-Captive and External Linear Actuators

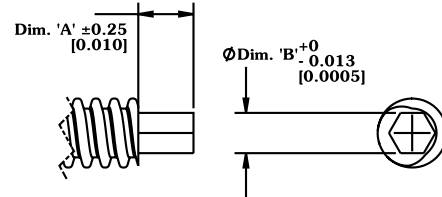
Cross Drilled Hole



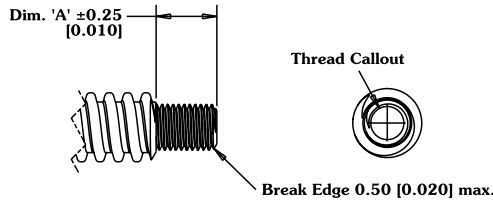
Turned Journal



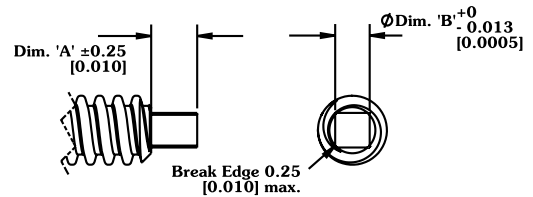
Hex Drive End



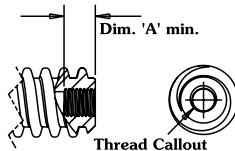
Male Thread



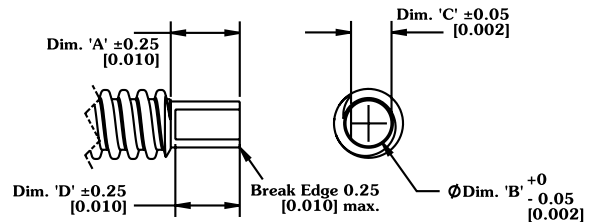
Square End



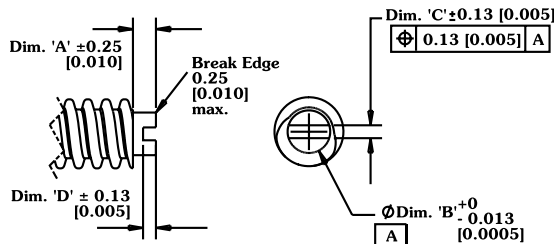
Female Thread



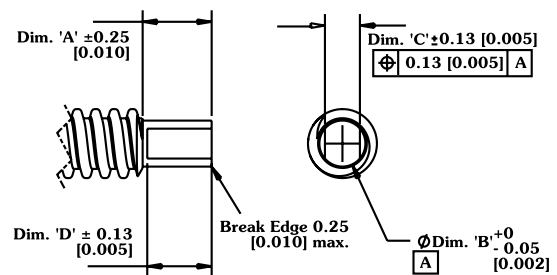
Single Flat



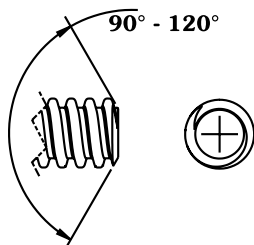
Screwdriver Slot



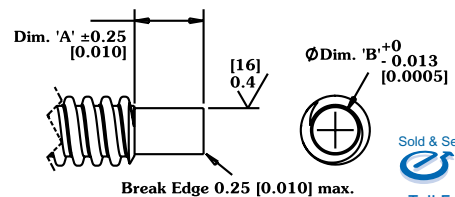
Double Flat



Standard Break Edge

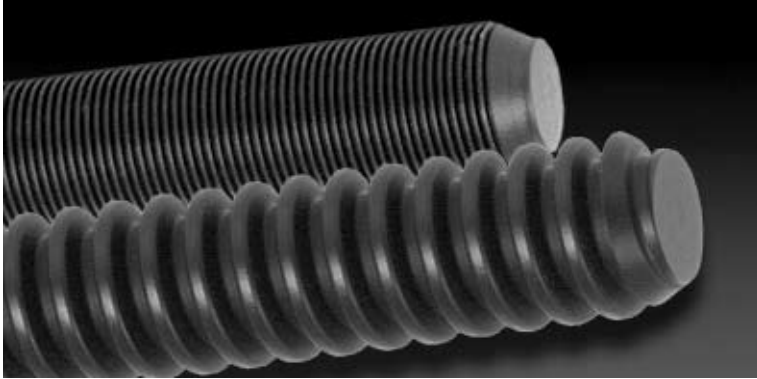


Ground Journal



Linear Actuators: Lubrication Options

Haydon Kerk Motion Solutions, Inc. • www.HaydonKerk.com • Phone: 800.243.2715 • International: 203.756.7441



Black Ice® Coating

Black Ice TFE coating is a hard coating that offers exceptional durability in all types of environments, with virtually any type of polymer lead-screw nut. Rather than acting as a dry lubricant, Black Ice TFE is an anti-friction coating whose surface properties displace the metal to which its is applied. Though it is not intended for use with metal or glass fiber reinforced nuts, Black Ice TFE is bonded securely to the surface of the lead-screw and can withstand abrasion from contamination, rigid polymer systems, fluid impingement and wash down applications.

Haydon™ Super Slick Greases

Haydon offers a wide selection of greases designed to meet any application requirements. Please contact Haydon Kerk Motion Solutions for assistance in selecting the most effective lubrication option.

	Grease Type	Chemical Compatibility	Temperature	Load Carrying Capacity	Comments	Cost Comparison
HSS-17	Synthetic Hydrocarbon	Good	-20°C to +125°C	High	Standard	\$
HSS-06	Perfluoropolyether	Best	-65°C to +250°C	Moderate	Tough Environments	\$\$
HSS-16	Perfluoropolyether	Better	-80°C to +204°C	Moderate	Vacuum compatible	\$\$\$
HSS-20	Perfluoropolyether	Best	-65°C to +250°C	Moderate	High Repeatability	\$\$\$

HSS-17

is a medium viscosity synthetic hydrocarbon grease thickened with lithium soap. It is fortified with EP (extreme pressure) modifiers to increase load carrying capabilities and TFE to increase lubricity and reduce friction. Rated temperature capacity is -20°C to +125°C.

HSS-06

is a TFE thickened heavy viscosity perfluoropolyether grease. It is designed to operate in chemically harsh environments and provides excellent operating properties for light to medium loads. Rated temperature capacity is -65°C to +250°C.

HSS-16

is a perfluoropolyether grease developed for use in vacuum environments. Rated temperature capacity is -80°C to +204°C.

HSS-20

is an ultrafiltered version of HSS-06, meaning that the grease it put through a 'cleaning' process to remove any particles greater than 35 microns in size. It is designed for use when accuracy and repeatability are of utmost concern.

Suppose you, as an engineer, are tasked to design a machine or part of a machine that requires precise linear positioning. How would you go about accomplishing this? What is the most straightforward and effective method?

When students are trained in classic mechanical engineering, they are taught to construct a system using conventional mechanical components to convert rotary into linear motion. Converting rotary to linear motion can be accomplished by several mechanical means using a motor, rack and pinion, belt and pulley, and other mechanical linkages. The most effective way to accomplish this rotary to linear motion, however, is within the motor itself.

//// First, What Exactly Is a Stepper Motor-Based Linear Actuator?

A linear actuator is a device that develops a force and a motion through a straight line. A stepper motor-based linear actuator uses a stepping motor as the source of rotary power. Inside the rotor, there's a threaded precision nut instead of a shaft. The shaft is replaced by a lead-screw. As the rotor turns (as in a conventional stepper motor), linear motion is achieved directly through the nut and threaded screw. It makes sense to accomplish the rotary to linear conversion directly inside the motor, as this approach greatly simplifies the design of rotary to linear applications. This allows high resolution and accuracy ideal for use in applications where precision motion is required.

//// Basic Components

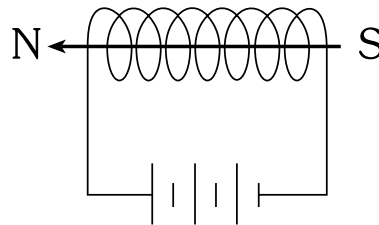
Stepper Motor

Why use a stepper motor instead of a conventional rotary motor? Unlike other rotary motors, steppers are unique in that they move a given amount of rotary motion for every electrical input pulse. This makes steppers a perfect solution for use in positioning applications. Depending on the type of stepper motor, our motors can achieve resolutions from 18 rotational degrees per step to 0.9 rotational degrees per step. This unique "stepping" feature coupled with the characteristics of the lead screw provides a variety of very fine positioning resolutions

How Does the Stepper Motor Work?

Permanent magnet stepper motors incorporate a permanent magnet rotor, coil windings, and a steel stator capable of carrying magnetic flux. Energizing a coil winding creates an electromagnetic field with a NORTH and SOUTH pole as shown in figure 1.

Figure 1. Magnetic field created by energizing a coil winding



The stator conducts the magnetic field and causes the permanent magnet rotor to align itself to the field. The stator magnetic field can be altered by sequentially energizing and de-energizing the stator coils. This causes a "stepping" action and incrementally moves the rotor resulting in angular motion.

“One-Phase On” Stepping Sequence

Figure 2 illustrates a typical step sequence for a simplified 2 phase motor. In step 1, phase A of the 2 phase stator is energized. This magnetically locks the rotor in the position shown, since unlike poles attract. When phase A is turned off and phase B is turned on, the rotor moves 90° clockwise. In step 3, phase B is turned off and phase A is turned on but with the polarity reversed from step 1. This causes another 90° rotation. In step 4, phase A is turned off and phase B is turned on, with polarity reversed from step 2. Repeating this sequence causes the rotor to move clockwise in 90° steps.

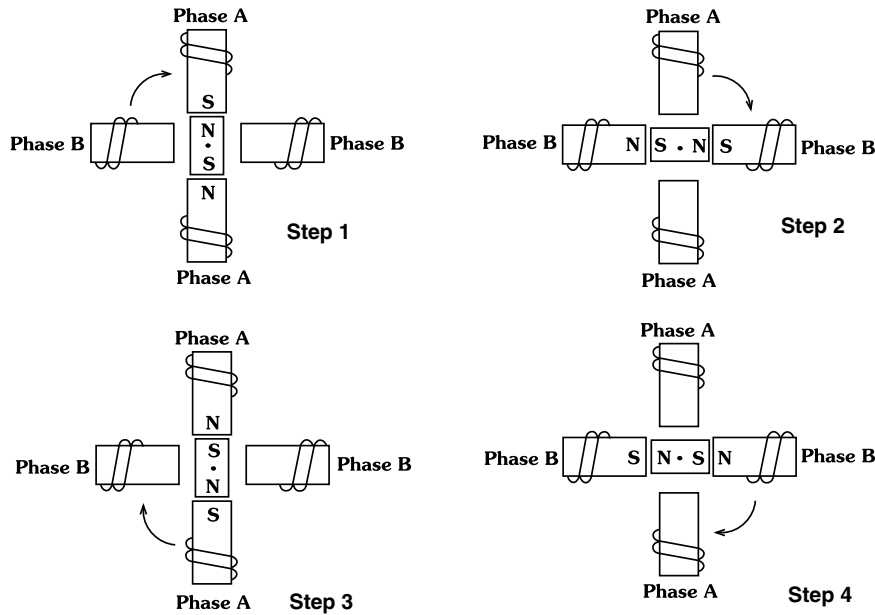


Figure 2. “One Phase On” stepping sequence for two phase motor
“Two-Phase On” Stepping Sequence

“Two-Phase On” Stepping Sequence

A more common method of stepping is “two phase on” where both phases of the motor are always energized. However, only the polarity of one phase is switched at a time, as shown in Figure 3. With two phase on stepping, the rotor aligns itself between the “average” north and “average” south magnetic poles. Since both phases are always on, this method provides 41.4% more torque than “one phase on” stepping.

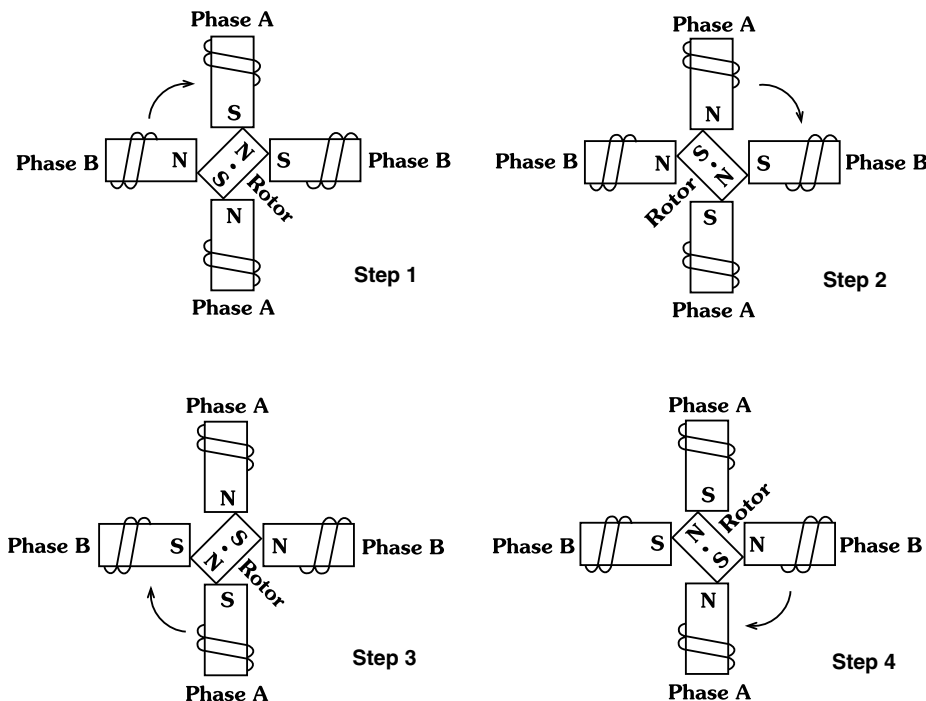


Figure 3. “Two Phase On” stepping sequence for two phase motor

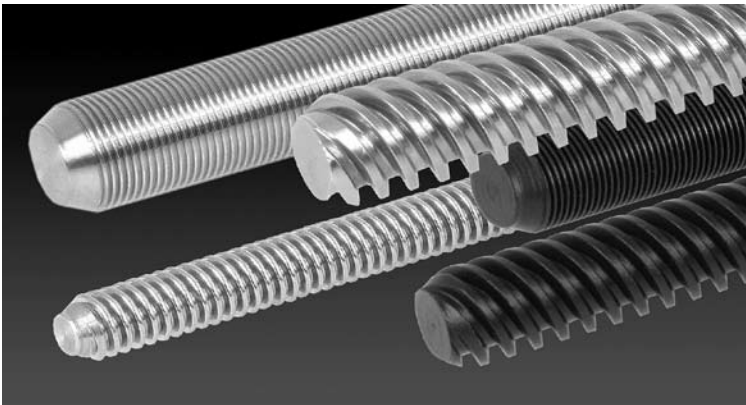
Lead-screw

The acme lead-screw is a special type of screw that provides a linear force using the simple mechanical principle of the inclined plane. Imagine a steel shaft with a ramp (inclined plane) wrapped around it. The mechanical advantage (force amplification) is determined by the angle of the ramp which is a function of the lead, pitch, and diameter of the screw.

Lead – The axial distance a screw thread advances in a single revolution

Pitch – The axial distance measured between adjacent thread forms

The threads of the lead-screw allow a small rotational force to translate into a large load capability depending on the steepness of the ramp (the thread lead). A small lead (more threads per inch) will provide a high force and resolution output. A large lead (fewer threads) will provide a lower force, but a correspondingly higher linear speed from the same source of rotary power.



Examples of different thread configurations: Finer lead threads will provide higher force but lower speeds; Coarse lead threads will provide higher speeds but lower force.

Integrated Nut

Of equal, if not greater importance to the lead screw is the nut that drives the screw. This nut is often imbedded in the rotor of the stepping motor, which makes this actuator configuration unique from other rotary to linear techniques. The traditional nut material is a bearing grade bronze which lends itself to the required machining of the internal threads. Bronze is a traditional compromise between physical stability and lubricity. Compromise, however, is the key word since it excels at neither.

Friction Considerations

A much better material for a power nut in the linear actuator is a lubricated thermoplastic material. With the evolution of new engineered plastics, the screw threads may now travel with a lower overall coefficient of friction. This is illustrated below in Figure 4.

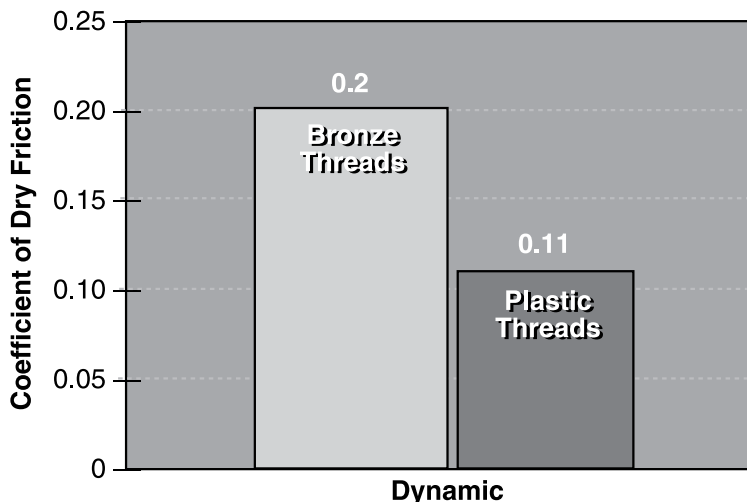


Figure 4.

FRICION EFFECTS

Comparative friction effects of stainless steel on select rotor materials

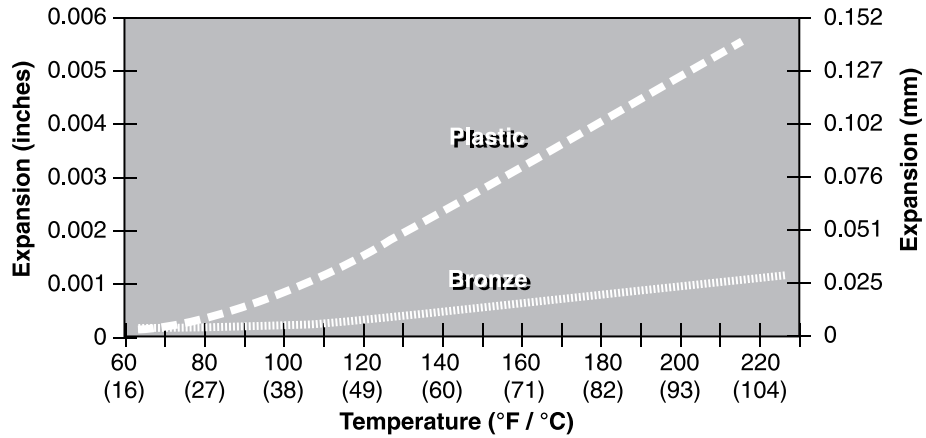
Thermal Considerations

Given the data, it was clear that a plastic drive nut provides the lower coefficient of friction when compared with bronze. Unfortunately, as good as the plastic is for threads, it is not stable enough for the bearing journals of a hybrid motor, which are critical in the hybrid motor design. Under a continuous full load condition, plastic bearing journals can expand as much as 0.004", where brass will expand only 0.001". This is illustrated in Figure 5. In order to achieve the high performance characteristics of the stepper motor, the design must maintain a stator-to-rotor airgap of only a few thousandths of an inch. This tight design requirement demands thermally stable bearing journals.

Figure 5.

THERMAL EFFECT

Linear thermal expansion for 1-inch (25.4 mm) samples

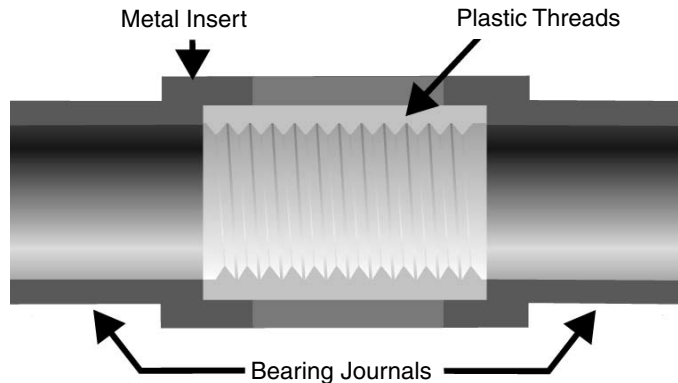


By injection molding plastic threads within a brass rotor assembly, both characteristics of low friction and high bearing journal stability is achieved (see figure 6).

Figure 6.

POWER NUT CONFIGURATION

Embedded in Permanent Magnet Rotor



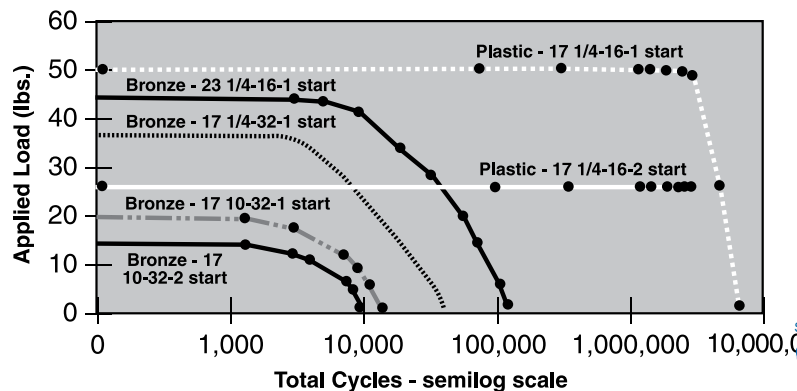
Effects on Actuator Life

The result is a product with quiet operation, higher efficiencies, and higher life expectancies. Motor life is improved by 10 to 100 times over the traditional bronze nut configuration, as illustrated in the life test chart in figure 7.

Figure 7.

LIFE TEST: BRONZE vs PLASTIC

Nuts used in Size 17 and 23 Hybrid Linear Actuators



Extending Actuator Life

With proper application consideration, Haydon linear actuators deliver up to 20 million cycles. Ultimately, motor fatigue and resultant life are determined by each customer's unique application.

There are some general guidelines that should be understood in order to insure maximum life. Ultimately, to determine an actuator's performance in a given system it's best to perform testing in the final assembly in "field conditions" or in a setting that closely approximates those conditions.

Since a stepper has no brushes to wear out, its life usually far exceeds that of other mechanical components of the system. If a stepper does fail there are certain components which are likely to be involved. Bearings and lead-screw/nut interface (in linear actuators) are typically the first components to experience fatigue. Required torque or thrust and operating environment are the factors which affect these motor components.

Extensive testing has shown that motor life increases exponentially with reduced operating loads. Environmental factors such as high humidity, exposure to harsh chemicals or gases, excessive dirt/debris, and heat will affect motor life. Mechanical factors in the assembly such as side loading of the shaft (linear actuators) or an unbalanced load (rotary motors) will also affect life.

Properly designing a system which minimizes these factors and also insuring the motor is operating within its electrical specifications will ensure maximum motor life. The first step in maximizing life is choosing a motor which has a safety factor of 2 or more. The second step is insuring the system is mechanically sound by minimizing side loading, unbalanced loads, and impact loads. Also insure techniques to allow effective heat dissipation. Air flow around the motor or mounting which provides some heat sinking are effective means to insure the motor operates at a safe temperature.

If these simple, yet effective guidelines are followed, the linear actuators will provide reliable operation over millions of cycles.

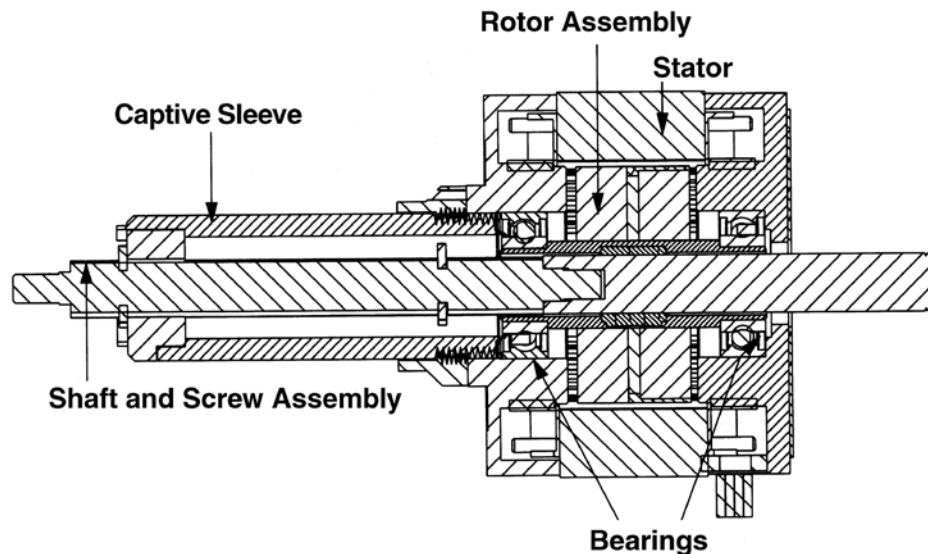
Putting It All Together

Figure 8 below is a cross section drawing of a "captive" type linear actuator. Captive indicates that there is already an anti-rotation mechanism built into the actuator through the use of a splined "anti-rotation" shaft and a "captive sleeve". The "captive" configuration is ideal for use in precision liquid drawing/dispensing and proportional valve control. Other forms of linear actuators are "non-captive" and "external linear" as pictured in Figures 9 and 10.

Figure 8.

TYPICAL HYBRID LINEAR ACTUATOR

Captive linear
stepping actuator



Stepper Motor Technical Overview: Tutorial

Haydon Kerk Motion Solutions, Inc. • www.HaydonKerk.com • Phone: 800.243.2715 • International: 203.756.7441

STEPPER MOTOR
TUTORIAL

Figure 9.

HYBRID LINEAR ACTUATORS

Size 17 Series
(1.7-in / 43 mm square)
captive, non-captive and
external linear, available
in 1.8 and 0.9 rotational
degrees per step.



Figure 10.

CAN-STACK LINEAR ACTUATORS

26000 Series (Ø 1-in / 26 mm)
Captive, external linear, non-captive
available in 15 and 7.5 rotational
degrees per step.

All This Theory Is Good, But How Are They Sized?

Sizing a linear actuator is quite easy once you understand the basic needs of the application. The following is the minimum information needed to begin sizing the proper device.

- 1) Linear force needed to move the load, expressed in Newtons (N)
- 2) Linear distance the load needs to be moved, expressed in meters (M)
- 3) Time required to move the load, expressed in seconds (s)
- 4) Table 1 (next page)
- 5) Performance curves illustrated in Haydon linear actuator catalogs

Power Requirements

The power required to meet the application is now calculated using the parameters above. This will allow the user to easily choose the correct motor framesize needed.

$$P \text{ linear} = \frac{(\text{distance traveled in Meters}) (\text{force in Newtons})}{(\text{Time to travel the distance in Seconds})} = \text{watts}$$

Once the power is known in watts, choose the proper framesize of the actuator as listed in Table 1 (next page).

All stepper motor linear actuators require a drive to send the pulses to the motor. As seen in the table, the power for both an L/R drive and a chopper drive is listed. Most applications today use an electronic chopper drive. Unless the application is battery powered (as in a hand-held portable device), a chopper drive is highly recommended to get the maximum performance from the linear actuator.

Table 1. Frame Sizes and Performance Based On Required Output Power

Hybrid Single Stack					
Series	Size	Max Force (N)	Linear Travel Per Step (micron)	Max. Linear Power (watts)	
				L/R Drive	Chopper Drive
21000	8	44	1.5 – 40	0.3	0.37
28000	11	90	3 – 50	0.27	0.51
35000	14	220	1.5 – 50	0.59	1.5
43000	17	220	1.5 – 50	1.02	2.31
57000	23	890	4 – 50	1.47	6
87000	34	2224	12.7 – 127	N/A	21.19

Hybrid Double Stack					
Series	Size	Max Force (N)	Linear Travel Per Step (micron)	Max. Linear Power (watts)	
				L/R Drive	Chopper Drive
28000	11	133	3 – 50	N/A	1.14
35000	14	220	15.8 – 127	N/A	2.7
43000	17	337	15.8 – 127	N/A	4.62
57000	23	890	12.7 – 127	N/A	10.08

Can-Stack					
Series	Size Ø (mm)	Max Force (N)	Linear Travel Per Step (micron)	Max. Linear Power (watts)	
				L/R Drive	Chopper Drive
G4 19000	20	50	25 – 100	0.17	0.35
G4 25000	26	90	12.7 – 100	0.26	0.53
G4 37000	36	260	12.7 – 100	0.44	0.66
15000	15	7	20	0.025	0.03
20000	20	16	25 – 100	0.05	0.06
Z20000	20	35	25 – 100	0.09	0.23
26000	26	50	6 – 100	0.17	0.18
Z26000	26	80	6 – 100	0.18	0.48
36000	36	160	3 – 100	0.23	0.51
46000	46	260	12.7 – 400	0.55	1.13

Velocity

After calculating the mechanical power needed to meet the application requirements, the linear velocity in inches per second is calculated using the following equation.

$$\text{Velocity linear} = \frac{\text{Required travel distance (in)}}{\text{Time to achieve travel (s)}} = \text{in / s}$$

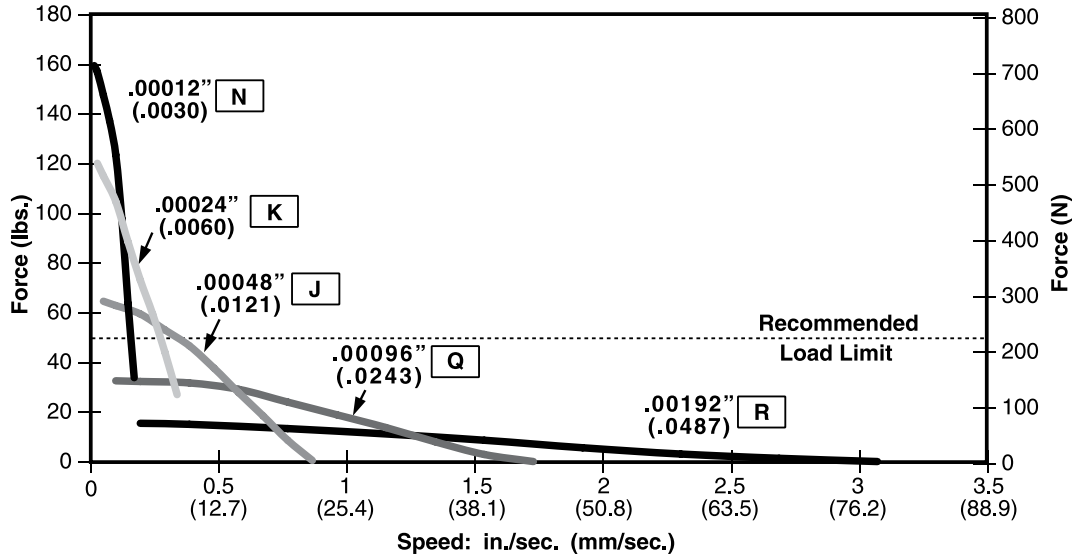
Force vs Linear Velocity Curves

Once the required actuator framesize is determined and the linear velocity is calculated, the “force vs linear velocity curve” is used to determine the proper resolution of the actuator lead screw.

Figure 11.

FORCE vs LINEAR VELOCITY SIZE 17 SERIES 43000

.218 (5.54 mm)
Ø lead-screw,
Bipolar, Chopper Drive,
100% Duty Cycle



Actuator Life

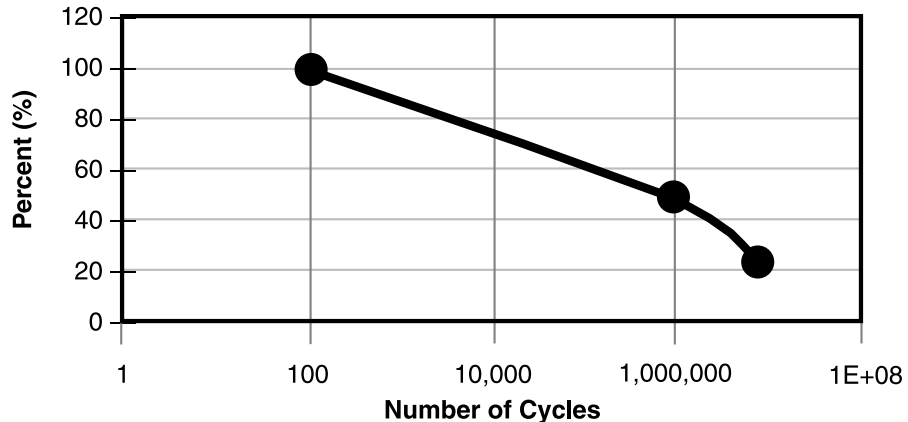
There are many variables that ultimately determine life of the actuator. The best way to predict life is through application testing, which is highly recommended.

There is, however, a first approximation technique that can help estimate this value. The stepper motor prime mover contains no brushes to wear out and also utilize precision long-life ball bearings. The main wear component is the power nut. The number of cycles can be summarized as a function of load, as illustrated in Figure 12 below.

Figure 12.

% RATED LOAD vs NUMBER OF CYCLES

Cycles on a standard stroke actuator



With proper application, Haydon linear actuators deliver up to 20 million cycles and Haydon rotary motors provide up to 25,000 hours of service. Ultimately motor fatigue and resultant life are determined by each customer’s unique application. The following definitions are important for understanding motor life and fatigue.

Continuous Duty: Running a motor at its rated voltage.

25% Duty Cycle: Running a motor at double its rated power. The motor is “on” approximately 25% of the time. The motor generates about 60% more output than at rated voltage. Note, duty cycle is not related to the load placed on the motor.

Life: A linear actuator’s life is the number of cycles that the motor is able to move at a prescribed load and maintain step accuracy. Rotary motor life is the number of hours of operation.

One Cycle: A linear actuator’s cycle consists of extending and retracting back to the original position.

EXAMPLE #1

Application Requirements:

Required Force (lbs) = 15 lbs
 Required Travel (inches) = 3 in
 Time To Achieve Travel (sec) = 6 sec
 Desired Cycles = 1,000,000
 Linear Velocity (in / sec) = 3 in / 6 sec = 0.5 in / sec

Calculate the initial rated force based on required # of cycles:

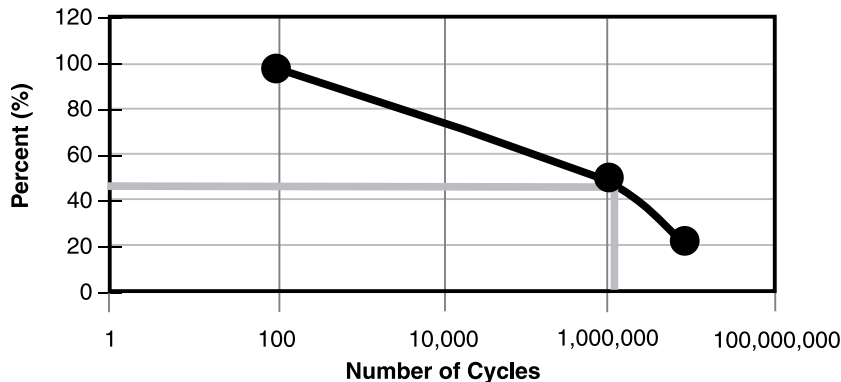
Step 1:

Refer to Figure 12 and determine the % wear after 1,000,000 cycles.
 This is indicated with the blue line in Figure 13 below.

Figure 13.

LIFE EXPECTANCY

Cycles on a standard stroke actuator



Step 2:

As indicated in the chart, in order to get 1,000,000 cycles, a factor of 0.5 must be used when sizing the actuator. The initial rated force required in order to meet the load after 1,000,000 cycles is therefore...

$$15 \text{ lbs} / 0.5 = 30 \text{ lbs}$$

Step 3:

Convert lbs to Newtons (N)

$$30 \text{ lbs} / (0.225 \text{ lbs} / \text{N}) = 133 \text{ N}$$

Determine required travel in meters

$$3 \text{ in} \times (0.0254 \text{ M} / \text{in}) = 0.0762 \text{ M}$$

Choose the proper framesize actuator using the selector chart

Step 1:

Determine the required linear mechanical power in watts

$$P_{\text{linear}} = (133 \text{ N} \times 0.0762 \text{ M}) / 6 \text{ sec} = 1.7 \text{ N-M} / \text{sec} = 1.7 \text{ watts}$$

Step 2:

Use **Table 1** to determine the correct framesize actuator. As discussed earlier in the paper, most applications will use a chopper drive to supply the required input pulses to the stepper motor. The 43000 (Size 17 Hybrid) was chosen for this application, as highlighted in the “**Hybrid Single Stack**” section of Table 1.

Hybrid Single Stack					
Series	Size	Max Force (N)	Linear Travel Per Step (micron)	Max. Linear Power (watts)	
				L/R Drive	Chopper Drive
21000	8	45	1.5 – 40	0.3	0.37
28000	11	90	3 – 50	0.27	0.51
35000	14	220	1.5 – 50	0.59	1.5
43000	17	220	1.5 – 50	1.02	2.31
57000	23	880	4 – 50	1.47	6
87000	34	2200	12.7 – 127	N/A	1.9

Sold & Serviced By

ELECTROMATE

Toll Free Phone (877) SERV098
 Toll Free Fax (877) SERV099
 www.electromate.com
 sales@electromate.com

Stepper Motor Technical Overview: Tutorial

Haydon Kerk Motion Solutions, Inc. • www.HaydonKerk.com • Phone: 800.243.2715 • International: 203.756.7441

STEPPER MOTOR TUTORIAL

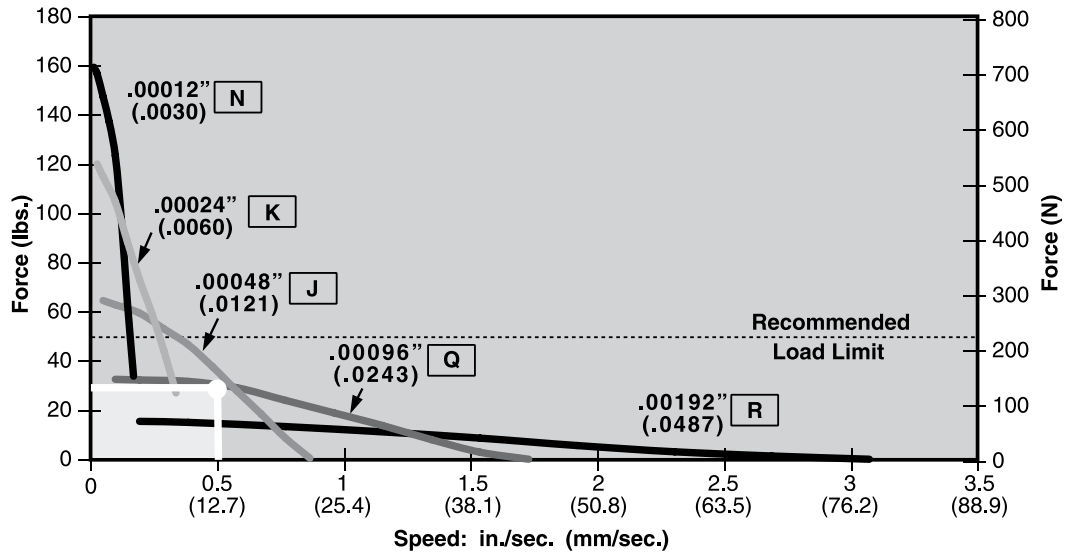
Determine the proper resolution using the "Force vs Linear Velocity" chart

As determined by the life calculation performed above, an initial load of 30 lbs is to be moved at a velocity of 0.5 in / sec. The resulting lead screw resolution required in the Size 17 hybrid motor is 0.00048" (J resolution), as indicated in figure 14 below.

Figure 14.

FORCE vs LINEAR VELOCITY SIZE 17 SERIES 43000

.218 (5.54 mm)
Ø lead-screw,
Bipolar, Chopper Drive,
100% Duty Cycle



Verify selection by checking force at the required step rate

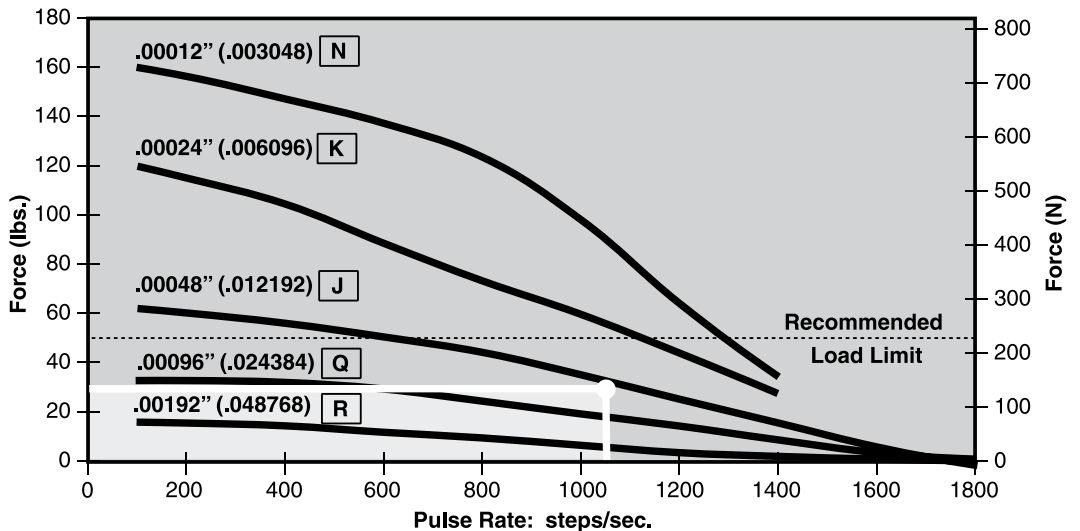
Earlier in the paper, it was discussed that the lead screw advances based on the number of input steps to the motor. Haydon performance curves are expressed in both "in/sec" (as illustrated in Figure 14) and also in "steps / sec" (Figure 15 below). As an effective check, verify the selection by checking the force at the required step rate.

Resolution chosen	0.00048 in / step ("J" screw)
Req'd linear velocity	0.5 in / sec
Req'd step rate	$(0.5 \text{ in / sec}) / (0.00048 \text{ in / step}) = 1041 \text{ steps / sec}$

Figure 15.

FORCE vs PULSE RATE SIZE 17 SERIES 43000

.218 (5.54 mm)
Ø lead-screw,
Bipolar, Chopper Drive,
100% Duty Cycle



Figures 14 and 15 are good illustrations of how the pulses to the stepper motor translate into linear motion through the lead screw.

EXAMPLE #2

Haydon Kerk Motion Solutions, Inc. offers a line of Double Stack Hybrid Actuators that are designed to meet the needs of higher speed applications. This next example illustrates a typical situation where higher speed is required to perform the motion.

All other application requirements with the exception of the move velocity is unchanged from Example #1.

Application Requirements:

Required Force (lbs) =	15 lbs
Required Travel (inches) =	3 in
Time To Achieve Travel (sec) =	3 sec (modified application requirement)
Desired Cycles =	1,000,000
Linear Velocity (in / sec) =	3 in / 3 sec = 1.0 in / sec (modified linear velocity)

Calculate the initial rated force based on required # of cycles:

Step 1:

Refer to Figure 10 and determine the % wear after 1,000,000 cycles. This is indicated with the blue line in Figure 11. This will be identical to that shown in Sizing Example #1 because the number of desired cycles didn't change.

Step 2:

As indicated in Figure 11, in order to get 1,000,000 cycles, a factor of 0.5 must be used when sizing the actuator. The initial force required in order to meet the load after 1,000,000 cycles is therefore...

$$15 \text{ lbs} / 0.5 = 30 \text{ lbs (Unchanged from Example #1)}$$

Step 3:

Convert lbs to Newtons (N)

$$30 \text{ lbs} / (0.225 \text{ lbs} / \text{N}) = 133 \text{ N (Unchanged from Example #1)}$$

Determine required travel in meters

$$3 \text{ in} \times (0.0254 \text{ M} / \text{in}) = 0.0762 \text{ M ((Unchanged from Example #1)}$$

Choose the proper framesize actuator using the selector chart

Step 1:

Determine the required linear mechanical power in watts

$$P_{\text{linear}} = (133\text{N} \times 0.0762\text{M}) / 3\text{s} = 3.4 \text{ N-M} / \text{s} = 3.4 \text{ watts (This changed from 1.7 watts needed in Example #1)}$$

As shown from the result above, the required output power increased by 100% due to the application requirement change from a 6s Time to Achieve Travel (Example #1) to a 3s Time to Achieve Travel.

Step 2:

Assuming the mounting footprint is to remain unchanged (in this case, the Size 17 motor frame), using the Double Stack version of the actuator would easily meet the application requirements. This is highlighted in the **"Hybrid Double Stack"** section of **Table 1**.

Hybrid Double Stack					
				Max. Linear Power (watts)	
Series	Size	Max Force (N)	Linear Travel Per Step (micron)	L/R Drive	Chopper Drive
28000	11	133	3 – 50	N/A	1.14
35000	14	220	15.8 – 127	N/A	2.7
43000	17	350	15.8 – 127	N/A	4.62
57000	23	880	12.7 – 127	N/A	10.08

Stepper Motor Technical Overview: Tutorial

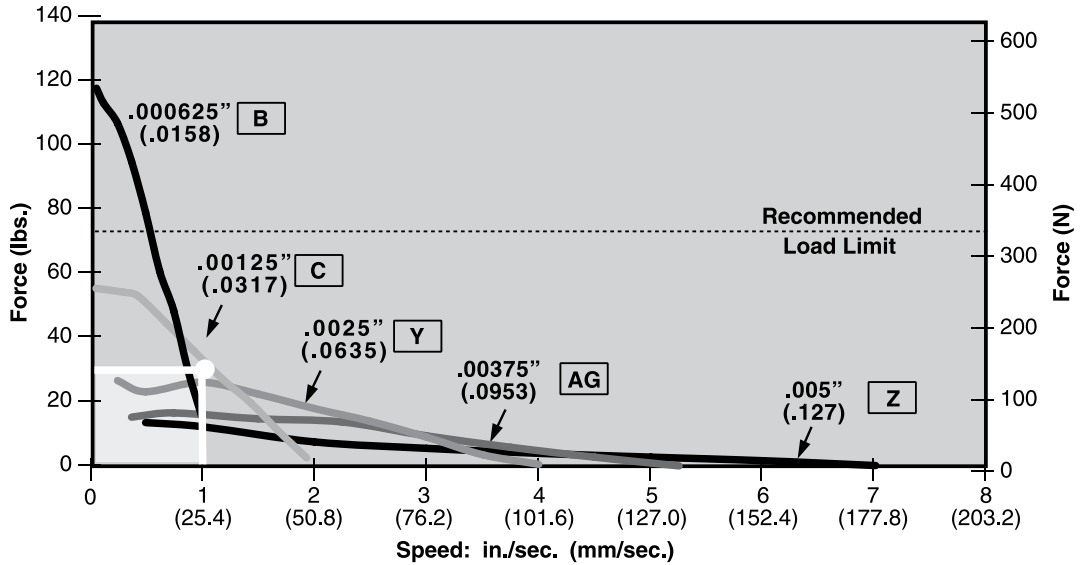
Determine the proper resolution using the "Force vs Linear Velocity" chart

As determined by the life calculation performed above, an initial load of 30 lbs is to be moved at a new velocity of 1.0 in/s. The intercept falls under curve "C". The resulting lead screw resolution required in the Size 17 double stack hybrid motor is 0.00125" (C resolution), as indicated in Figure 16 below.

Figure 16.

FORCE vs LINEAR VELOCITY SIZE 17 DOUBLE STACK SERIES 43000

.250 (6.35 mm)
Ø lead-screw,
Bipolar, Chopper Drive,
100% Duty Cycle



Verify selection by checking force at the required step rate

As discussed earlier, Haydon motor performance curves are expressed in both "in/sec" and also in "steps/sec". As an effective check, verify the selection by checking the force at the required step rate.

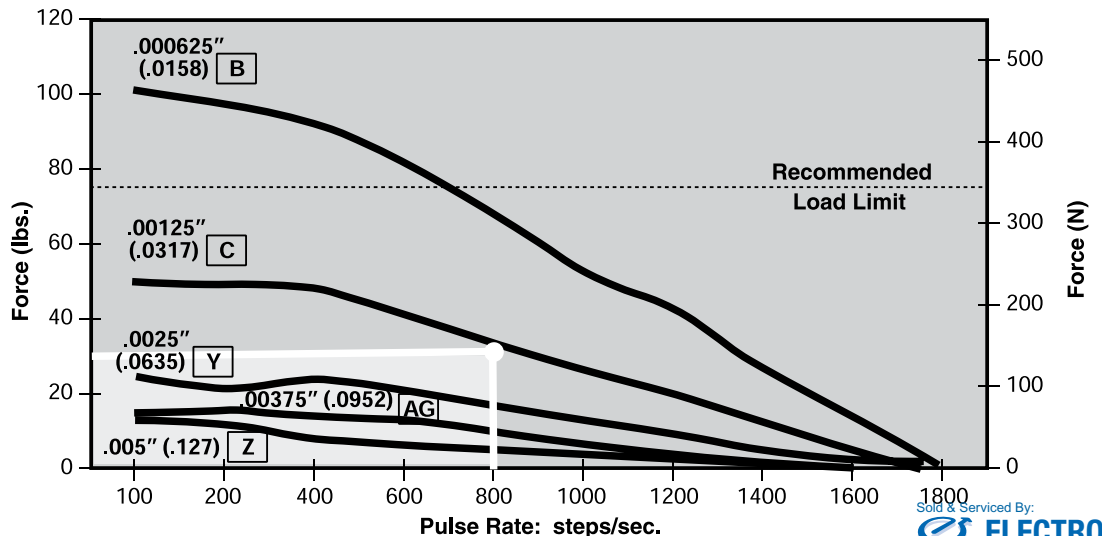
Resolution chosen	0.00125 in / step ("C" screw)
Required linear velocity	1.0 in / sec
Required step rate	$(1.0 \text{ in / sec}) / (0.00125 \text{ in / step}) = 800 \text{ steps / sec}$

The intercept of the required force and pulse rate (load point) is confirmed to fall under curve "C" as calculated.

Figure 17.

FORCE vs PULSE RATE SIZE 17 DOUBLE STACK SERIES 43000

.250 (6.35 mm)
Ø lead-screw,
Bipolar, Chopper Drive,
100% Duty Cycle



Resolution, Accuracy, and Repeatability – What’s The Difference??

In any linear motion application, the subject of resolution, accuracy, and repeatability inevitably comes up. These terms have very different meanings, but are in many cases, used interchangeably.

Resolution

This is defined as the incremental distance the actuator’s output shaft will extend per input pulse.

Resolution is expressed as inches/step. As seen in the curves above, resolutions are available in fractions or subfractions of an inch per step allowing very controlled linear motion.

$$\text{Resolution} = (\text{screw lead}) / (360 \text{ deg} / \text{step angle})$$

Example: Screw lead = 0.096-in / rev (inch / revolution)
Step angle = 1.8 deg / step

$$\text{Actuator Resolution} = (0.096 \text{ in} / \text{rev}) / (360 \text{ deg} / (1.8 \text{ deg} / \text{step})) = 0.00048 \text{ in} / \text{step} \text{ (use "J" screw)}$$

Accuracy

The difference between the theoretical distance and the actual distance traveled. Due to manufacturing tolerances in the individual components of the actuator, the actual travel will be slightly different. The tight design tolerances of the Haydon actuators allow this error to be very small, but nevertheless, it exists. See Figure 18.

For a Haydon™ hybrid linear actuator utilizing a screw with a 1-in lead, 360° of rotary motion will result in a theoretical 1-in stroke. In general, the tolerance of a Haydon Hybrid linear actuator with a 1-in move will be +/- 0.0005-in.

Repeatability

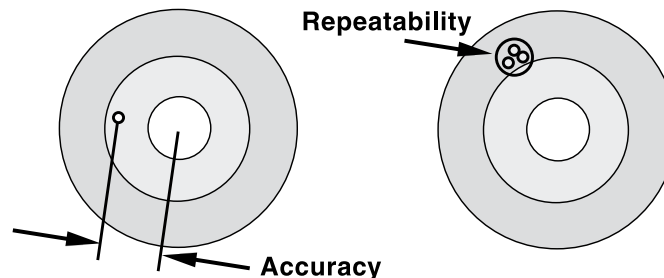
The range of positions attained when the actuator is commanded to approach the same target multiple times under identical conditions.

Example:

Allow the actuator to extend a commanded distance from its home position (starting point). Measure and record this distance and call it “x”. Retract the actuator back to its home position. Command the actuator to repeatedly return to the commanded distance “x”. The differences between the actual distances traveled and “x” is the repeatability.

Figure 18.

ACCURACY and REPEATABILITY



Resonance

Stepper motors have a natural resonant frequency as a result of the motor being a spring-mass system. When the step rate equals the motor’s natural frequency, there may be an audible change in noise made by the motor, as well as an increase in vibration. The resonant point will vary with the application and load, but typically occurs somewhere between 100 and 250 steps per second. In severe cases the motor may lose steps at the resonant frequency. Changing the step rate is the simplest means of avoiding many problems related to resonance in a system. Also, half stepping or micro stepping usually reduces resonance problems. When accelerating/decelerating to speed, the resonance zone should be passed through as quickly as possible.

Stepper Motor Technical Overview: Tutorial

Haydon Kerk Motion Solutions, Inc. • www.HaydonKerk.com • Phone: 800.243.2715 • International: 203.756.7441

STEPPER MOTOR TUTORIAL

//// Selecting The Proper Motor Checklist

In order to select the proper motor several factors must be considered. Is linear or rotary motion required? Following is a list of some of the basic requirements to consider when choosing a motor. This will help determine the best choice of an actuator or a rotary motor.

Rotary Motor

How much torque is required?
 What is the duty cycle?
 What is desired step angle?
 What is the step rate or RPM?
 Bipolar or unipolar coils?
 Coil Voltage?
 Detent or holding torque requirements?
 Are there size restrictions?
 What is anticipated life requirement?
 Temperature of operating environment?
 Sleeve or ball bearings?
 Radial and axial load?
 Type of driver?

Linear Actuator

How much force is required?
 What is the duty cycle?
 What is desired step increment?
 What is the step rate or speed of travel?
 Bipolar or unipolar coils?
 Coil Voltage?
 Must the screw hold position with power off or must it be "backdrivable" with power off?
 Are there size restrictions?
 What is anticipated life requirement?
 Temperature of operating environment?
 Captive or non-captive shaft?
 Type of driver?

//// Drives

Stepper motors require some external electrical components in order to run. These components typically include a power supply, logic sequencer, switching components and a clock pulse source to determine the step rate. Many commercially available drives have integrated these components into a complete package. Some basic drive units have only the final power stage without the controller electronics to generate the proper step sequencing.

Bipolar Drive

This is a very popular drive for a two phase bipolar motor having four leads. In a complete driver/controller the electronics alternately reverse the current in each phase. The stepping sequence is shown in figure 5.

Unipolar Drive

This drive requires a motor with a center-tap at each phase (6 leads). Instead of reversing the current in each phase, the drive only has to switch current from one coil to the other in each phase (figure 6). The windings are such that this switching reverses the magnetic fields within the motor. This option makes for a simpler drive but only half of the copper winding is used at any one time. This results in approximately 30% less available torque in a rotary motor or force in a linear actuator as compared to an equivalent bipolar motor.

L/R Drives

This type of drive is also referred to as a constant voltage drive. Many of these drives can be configured to run bipolar or unipolar stepper motors. L/R stands for the electrical relationship of inductance (L) to resistance (R). Motor coil impedance vs. step rate is determined by these parameters. The L/R drive should "match" the power supply output voltage to the motor coil voltage rating for continuous duty operation. Most published motor performance curves are based on full rated voltage applied at the motor leads. Power supply output voltage level must be set high enough to account for electrical drops within the drive circuitry for optimum continuous operation.

Performance levels of most steppers can be improved by increasing the applied voltage for shortened duty cycles. This is typically referred to as "over-driving" the motor. When over-driving a motor, the operating cycle must have sufficient periodic off time (no power applied) to prevent the motor temperature rise from exceeding the published specification.

Chopper Drives

A chopper drive allows a stepper motor to maintain greater torque or force at higher speeds than with an L/R drive. The chopper drive is a constant current drive and is almost always the bipolar type. The chopper gets its name from the technique of rapidly turning the output power on and off (chopping) to control motor current. For this setup, low impedance motor coils and the maximum voltage power supply that can be used with the drive will deliver the best performance. As a general rule, to achieve optimum performance, the recommended ratio between power supply and rated motor voltage is eight to one. An eight to one ratio was used for the performance curves in this catalog.

Microstepping Drives

Many bipolar drives offer a feature called microstepping. Microstepping electronically divides a full step into smaller steps. For instance, if one step of a linear actuator is 0.001 inch, this can be driven to have 10 microsteps per step. In this case, one microstep would normally be 0.0001 inch. Microstepping effectively reduces the step increment of a motor. However, the accuracy of each microstep has a larger percentage of error as compared to the accuracy of a full step. As with full steps, the incremental errors of microsteps are non-cumulative.

Summary

Stepper motors have been used in a wide array of applications for many years. With trends towards miniaturization, computer control and cost reduction, “hybrid” style stepper motor actuators are being used in an ever increasing range of applications. In particular the use of linear actuators has rapidly expanded in recent years. These precise, reliable motors can be found in many applications including blood analyzers and other medical instrumentation, automated stage lighting, imaging equipment, HVAC equipment, valve control, printing equipment, X-Y tables, integrated chip manufacturing, inspection and test equipment. This attractive technical solution eliminates the use of numerous components and the associated costs related to assembly, purchasing, inventory, etc. The applications for these motors are only limited by the designer’s imagination.

Terminology

Detent or residual torque: The torque required to rotate the motor’s output shaft with no current applied to the windings.

Drives: A term depicting the external electrical components to run a Stepper Motor System. This will include power supplies, logic sequencers, switching components and usually a variable frequency pulse source to determine the step rate.

Dynamic torque: The torque generated by the motor at a given step rate. Dynamic torque can be represented by PULL IN torque or PULL OUT torque.

Holding torque: The torque required to rotate the motor’s output shaft while the windings are energized with a steady state D.C. current.

Inertia: The measure of a body’s resistance to acceleration or deceleration. Typically used in reference to the inertia of the load to be moved by a motor or the inertia of a motor’s rotor.

Linear step increment: The linear travel movement generated by the lead-screw with each single step of the rotor.

Maximum temperature rise: Allowable increase in motor temperature by design. Motor temperature rise is caused by the internal power dissipation of the motor as a function of load. This power dissipation is the sum total from I²R (copper loss), iron (core) loss, and friction. The final motor temperature is the sum of the temperature rise and ambient temperature.

Pulse rate: The number of pulses per second (pps) applied to the windings of the motor. The pulse rate is equivalent to the motor step rate.

Pulses per second (PPS): The number of steps that the motor takes in one second (sometimes called “steps per second”). This is determined by the frequency of pulses produced by the motor drive.

Ramping: A drive technique to accelerate a given load from a low step rate, to a given maximum step rate and then to decelerate to the initial step rate without the loss of steps.

Single step response: The time required for the motor to make one complete step.

Step: The angular rotation produced by the rotor each time the motor receives a pulse. For linear actuators a step translates to a specific linear distance.

Step angle: The rotation of the rotor caused by each step, measured in degrees.

Steps per revolution: The total number of steps required for the rotor to rotate 360°.

Torque: The sum of the frictional load torque and inertial torque.

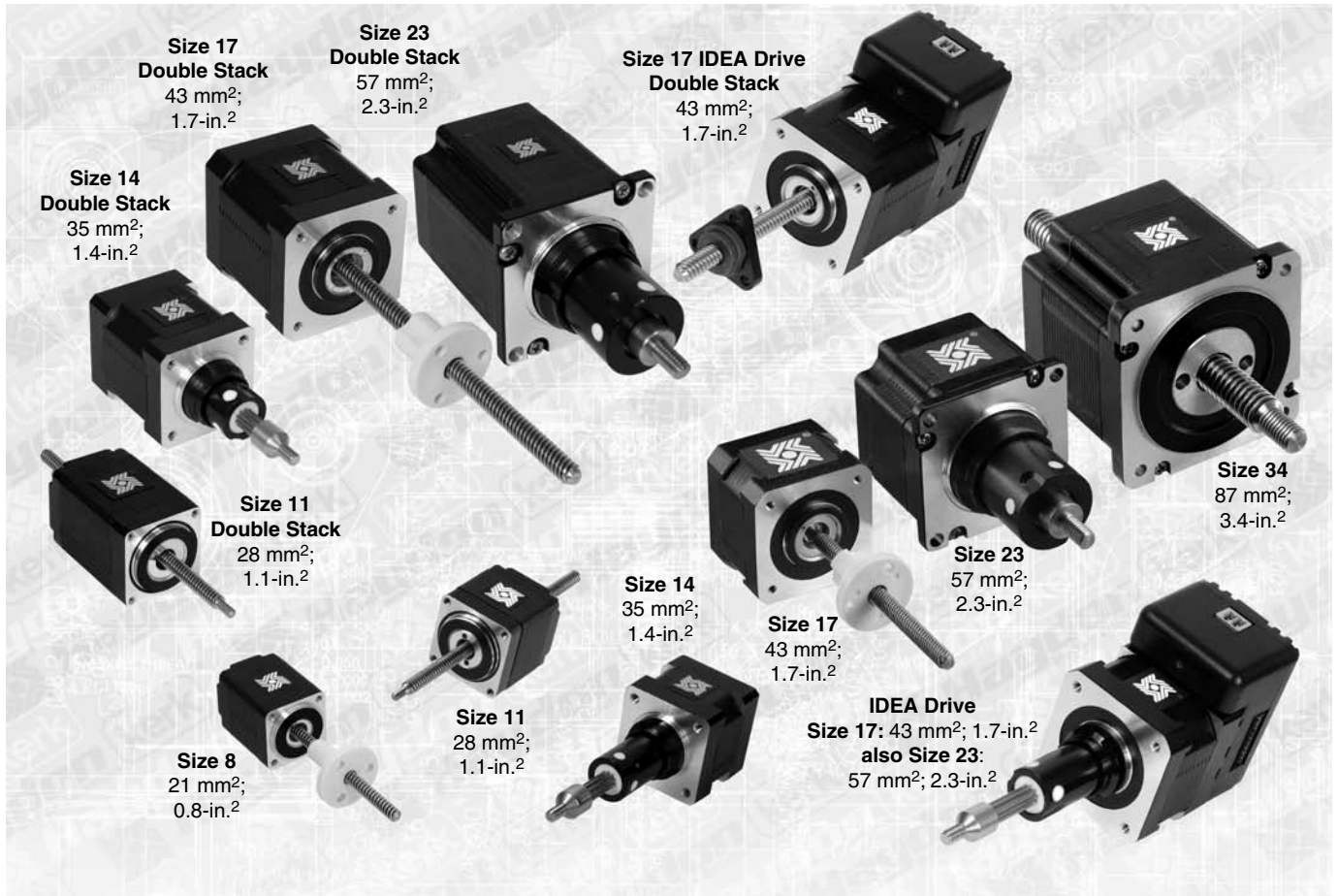
Pull out torque: The maximum torque the motor can deliver once the motor is running at constant speed. Since there is no change in speed there is no inertial torque. Also, the kinetic energy stored in the rotor and load inertia help to increase the pull out torque.

Pull in torque: The torque required to accelerate the rotor inertia and any rigidly attached external load up to speed plus whatever friction torque must be overcome. Pull in torque, therefore, is always less than pull out torque.

Torque to inertia ratio: Holding torque divided by rotor inertia.



Hybrid Linear Actuators



HYBRID LINEAR ACTUATOR
STEPPER MOTORS

Haydon Kerk Motion Solutions hybrid linear actuators open new avenues for equipment designers who require high performance and exceptional endurance in a very small package. The various designs use a proprietary manufacturing process, which incorporates engineering thermoplastics in the rotor drive nut and a stainless steel lead-screw. This allows the motor to be much quieter, more efficient and more durable than the v-thread and bronze nut configuration commonly used in other actuators. Motor life is improved more than 10 times over the traditional bronze nut style – and it requires no maintenance and does not affect the cost. An additional feature is the bearing preload adjustment which, unlike other designs, does not protrude from the motor configuration commonly used in other actuators.

The hybrid actuators come in six sizes, from 21 mm square to 87 mm square. Each size has three designs available – captive, non-captive and an external linear version. Haydon also offers a series of Double Stack enhanced performance hybrid linear actuators available in four sizes, from 28 mm to 57 mm square. An integrated, programmable IDEA™ Drive is available for the Size 17 (43 mm) and Size 23 (57 mm) hybrid and Double Stack hybrid motors.

There are 28 different travels per step available, from .00006 inch (.001524 mm) to .005 inch (.127 mm). Micro stepping can be used for even finer resolution. Our 87 mm actuator delivers up to 500 pounds (2224 N) of force.

These linear actuators are ideal for applications requiring a combination of precise positioning, rapid motion and long life.

Typical applications include X-Y tables, medical equipment, semiconductor handling, telecommunications equipment, valve control, and numerous other uses. Sold at competitive prices, this product is an excellent value for incorporation into your next project. In addition to standard configurations, Haydon Kerk Motion Solutions can custom design these motors to meet your specific application needs. Lead time for standard prototype designs is usually 2 to 3 days, and 4 to 6 weeks for production orders.

Part Number Construction: Hybrids

Haydon Kerk Motion Solutions, Inc. • www.HaydonKerk.com • Phone: 800.243.2715 • International: 203.756.7441

Identifying the part number codes when ordering

HYBRID LINEAR ACTUATOR
STEPPER MOTORS

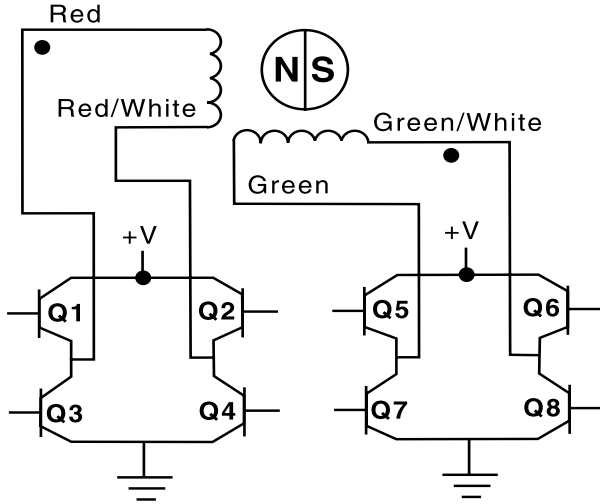
E	43	H	4	N	05	910
<p>Prefix (only when using the following)</p> <p>E = External P = Proximity Sensor S = Home Switch T = High Temp</p>	<p>Series number designation: 43 = 43000</p> <p>Available Hybrids: 21000 28000 35000 43000 57000 87000</p>	<p>Style</p> <p>F = 1.8° Non captive H = 1.8° Captive H = 1.8° Captive (Use "E" prefix for "External") J = 0.9° Non-captive K = 0.9° Captive K = 0.9° Captive (Use "E" prefix for "External") L = 1.8° Double Stack, Non-captive M = 1.8° Double Stack, Captive M = 1.8° Double Stack, (Use "E" prefix for "External")</p>	<p>Coils</p> <p>4 = Bipolar (4 wire) 6 = Unipolar (6 wire) G = IDEA Drive (Size 17, 43000 Series only)</p>	<p>Code ID Resolution Travel/Step</p> <p>(Example: N = travels .00012-in per step)</p> <p>(Refer to travel / step chart found on each Series product page.)</p>	<p>Voltage</p> <p>(Example: 05 = 5 VDC; 12 = 12 VDC) Custom V available</p>	<p>Suffix:</p> <p>Stroke Example: -910 = 1-in (Refer to Stroke chart on Captive motor series product page.)</p> <p>Suffix also represents:</p> <p>-900 = External Linear with grease and flanged nut</p> <p>-XXX = Proprietary suffix assigned to a specific customer application. The identifier can apply to either a standard or custom part.</p>

EXAMPLES:

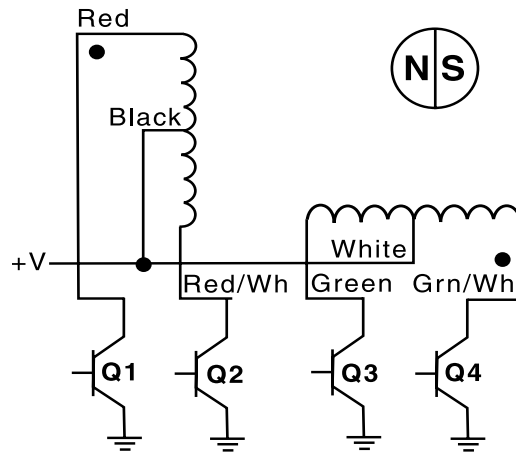
E43H4N-05-900 = External linear actuator, 43000 series, 1.8 degree, Bipolar coils, .00012-in travel per step, 5 volt DC, with grease and flanged nut.

43H4N-05-910 = 43000 series, 1.8 degree captive linear actuator, Bipolar, .00012-in travel per step, 5 volt DC, 1.0-in stroke.

Bipolar



Unipolar



HYBRID LINEAR ACTUATOR
STEPPER MOTORS

Hybrid Linear Actuator: Stepping Sequence

	Bipolar	Q2-Q3	Q1-Q4	Q6-Q7	Q5-Q8	
	Unipolar	Q1	Q2	Q3	Q4	
	Step					
EXTEND CW ↓	1	ON	OFF	ON	OFF	RETRACT CCW ↑
	2	OFF	ON	ON	OFF	
	3	OFF	ON	OFF	ON	
	4	ON	OFF	OFF	ON	
	1	ON	OFF	ON	OFF	

Note: Half stepping is accomplished by inserting an off state between transitioning phases.

21000 Series: Size 8 Linear Actuator

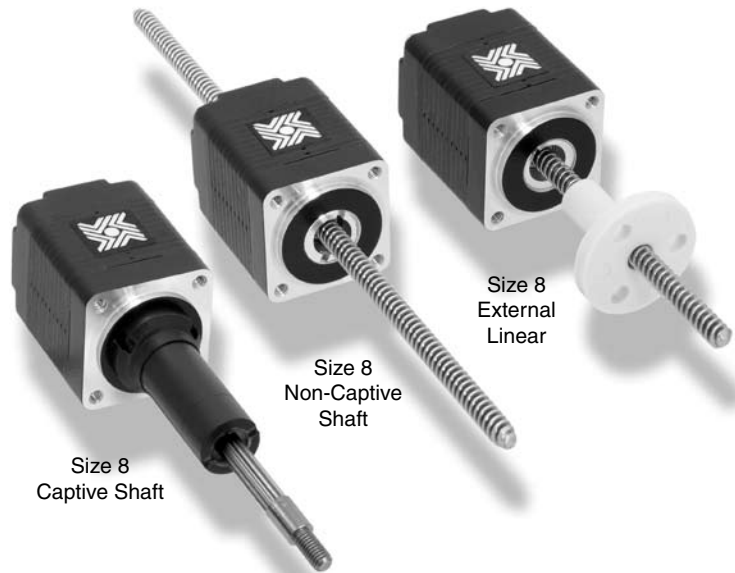
Haydon Kerk Motion Solutions, Inc. • www.HaydonKerk.com • Phone: 800.243.2715 • International: 203.756.7441

One of the world's smallest linear actuators, the Size 8 precision motor is a recent addition to our extensive, award winning miniature stepper motor product line.

Equipment designers and engineers now have an even more compact option for their motion applications. The Haydon™ 21000 Series Size 8 linear actuator occupies a minimal 0.8" (21 mm) space and includes numerous patented innovations that provide customers high performance and endurance in a very small package.

Three designs are available, captive, non-captive and external linear versions. The 21000 Series is available in a wide variety of resolutions - from 0.00006" (.0015 mm) per step to 0.00157" (0.04 mm) per step. The Size 8 actuator delivers thrust of up to 10 lbs. (44 N).

HYBRID LINEAR ACTUATOR
STEPPER MOTORS



Salient Characteristics

Size 8: 21 mm (0.8-in) Hybrid Linear Actuator (1.8° Step Angle)			
Part No.	Captive	21H4(X)-V	
	Non-captive	21F4(X)-V	
	External Lin.	E21H4(X)-V	
Wiring		Bipolar	
Winding voltage	2.5 VDC	5 VDC	7.5 VDC
Current/phase	.49 A	.24 A	.16 A
Resistance/phase	5.1 Ω	20.4 Ω	45.9 Ω
Inductance/phase	1.5 mH	5.0 mH	11.7 mH
Power consumption	2.45 W Total		
Rotor inertia	1.4 gcm ²		
Insulation Class	Class B (Class F available)		
Weight	1.5 oz (43 g)		
Insulation resistance	20 MΩ		

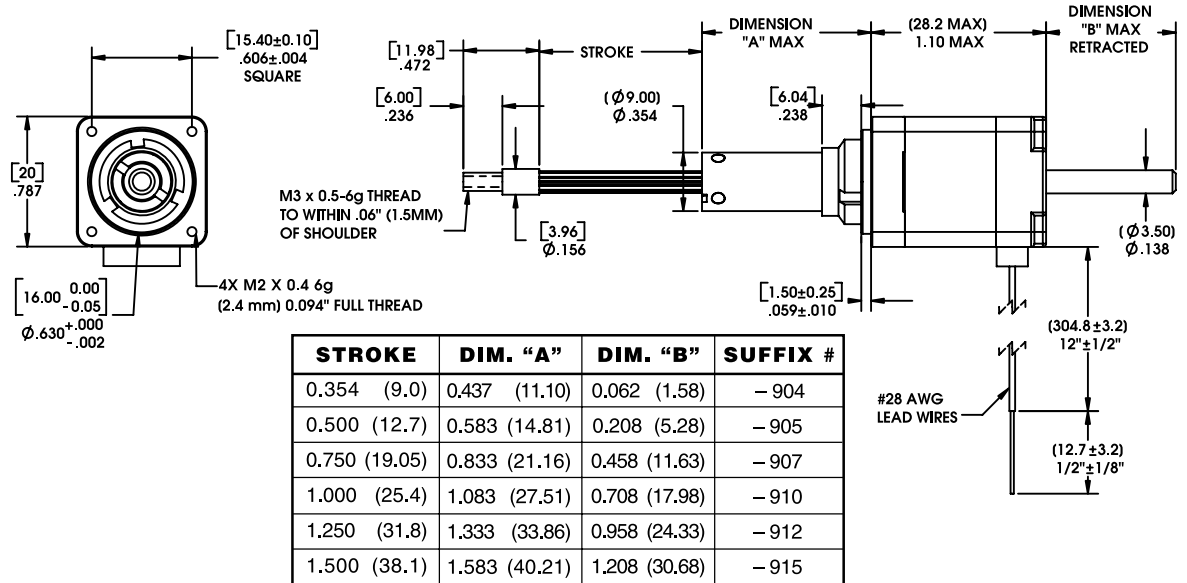
Linear Travel / Step		Order Code I.D.
Screw Ø.138" (3.50 mm) inches	mm	
.00006	.0015*	U
.000098*	.0025	AA
.00012	.0030*	N
.00019*	.005	AB
.00024	.006*	K
.00039*	.01	AC
.00048	.0121*	J
.00078*	.02	AD
.00157*	.04	AE

*Values truncated

Standard motors are Class B rated for maximum temperature of 130°C.

Special drive considerations may be necessary when leaving shaft fully extended or fully retracted.

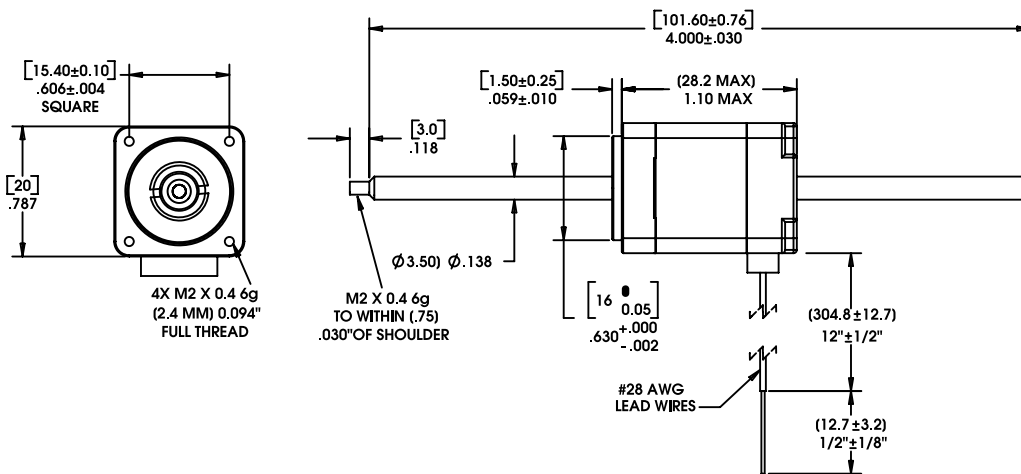
Captive Lead-screw



HYBRID LINEAR ACTUATOR
STEPPER MOTORS

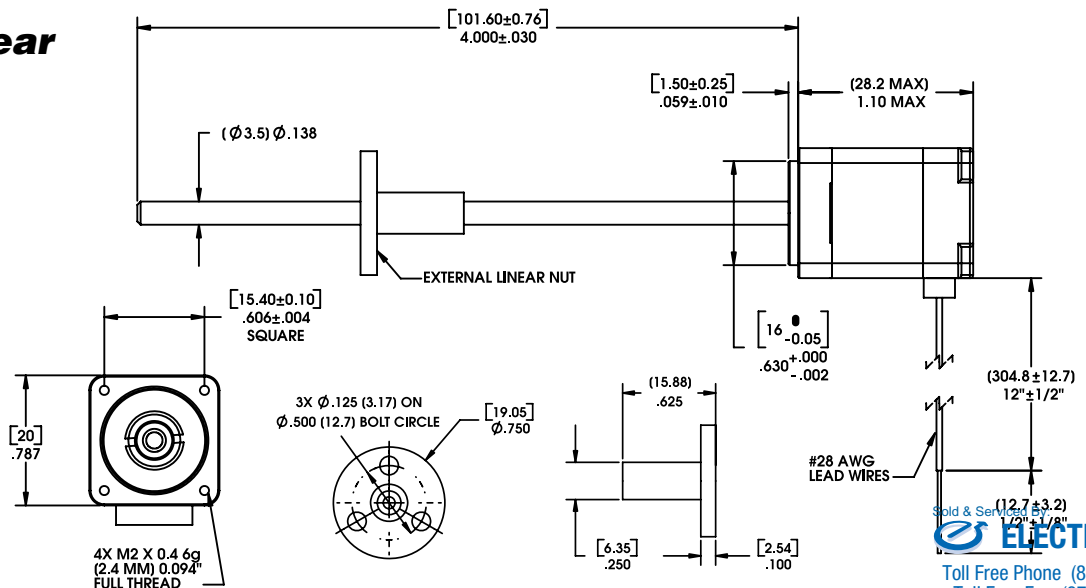
Non-Captive Lead-screw

Up to 6-in (152 mm) standard screw lengths. Longer screw lengths are available.



External Linear

Up to 6-in (152 mm) standard screw lengths. Longer screw lengths are available.

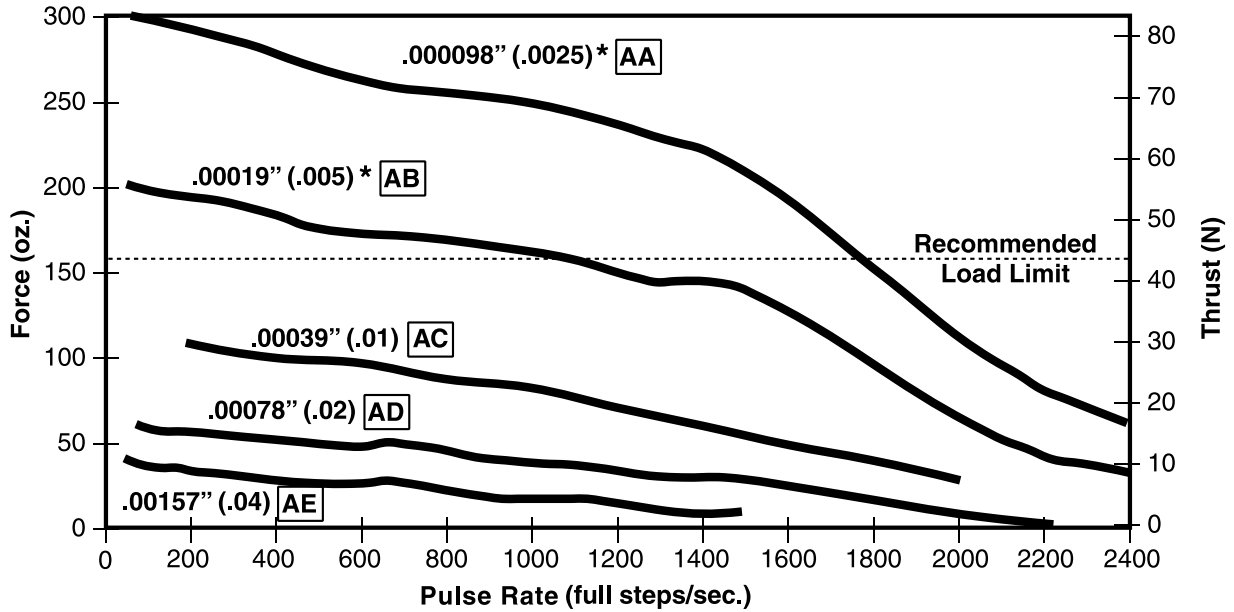
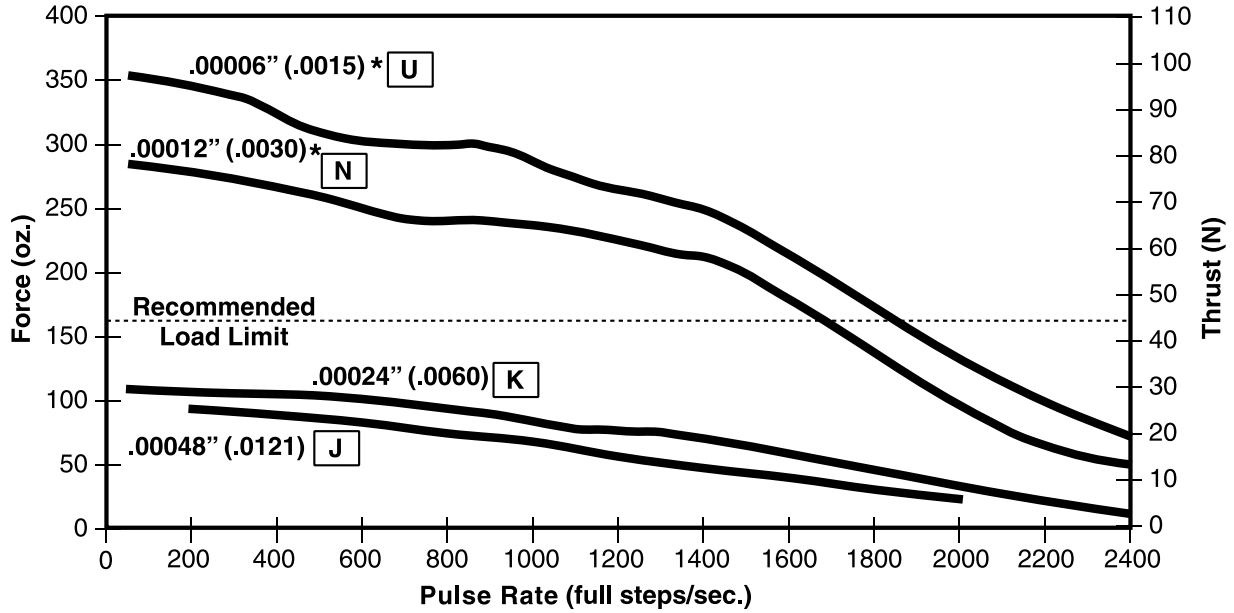


21000 Series: Size 8 Performance Curves

Haydon Kerk Motion Solutions, Inc. • www.HaydonKerk.com • Phone: 800.243.2715 • International: 203.756.7441

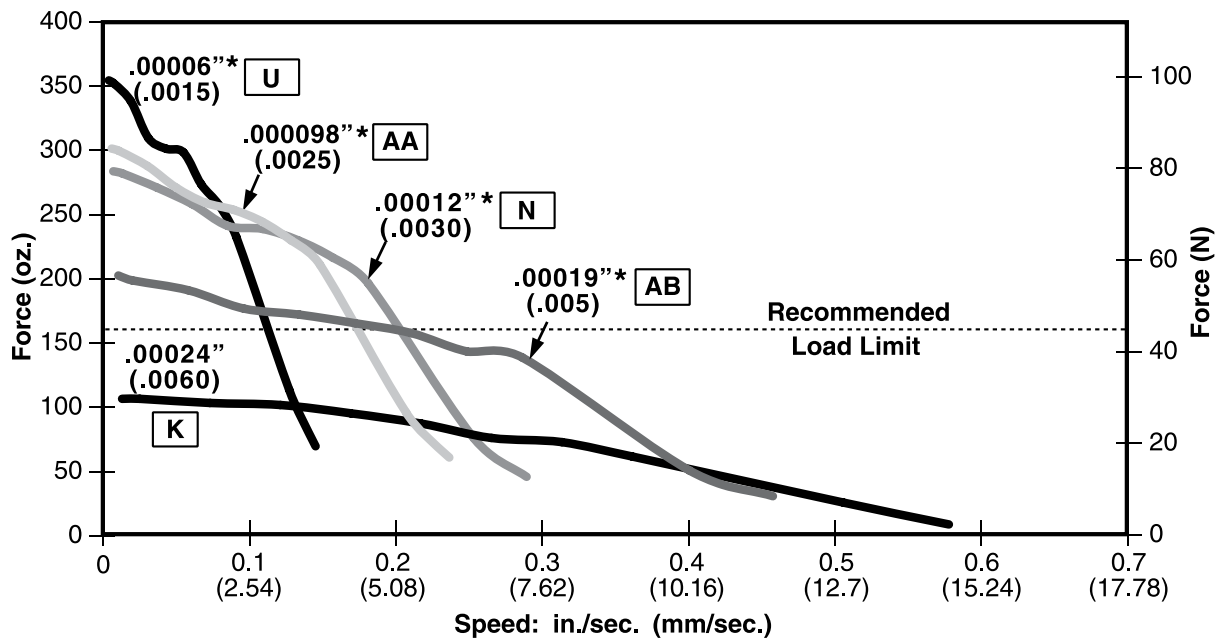
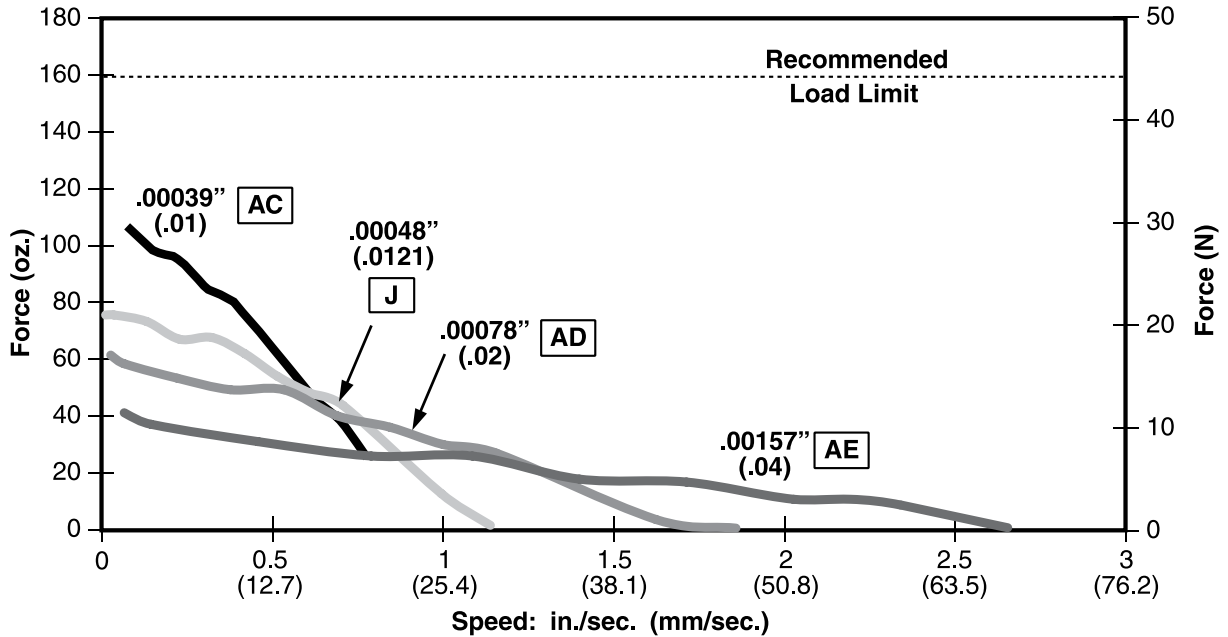
FORCE vs. PULSE RATE **Bipolar • Chopper • 100% Duty Cycle** Ø .138 (3.50) Lead-screw

HYBRID LINEAR ACTUATOR
STEPPER MOTORS



FORCE vs. LINEAR VELOCITY Bipolar • Chopper • 100% Duty Cycle

Ø .138 (3.50) Lead-screw



HYBRID LINEAR ACTUATOR
STEPPER MOTORS

*Care should be taken when utilizing these screw pitches to ensure that the physical load limits of the motor are not exceeded. Please consult the factory for advice in selecting the proper pitch for your application.

NOTE: All chopper drive curves were created with a 5 volt motor and a 40 volt power supply.

Ramping can increase the performance of a motor either by increasing the top speed or getting a heavier load accelerated up to speed faster. Also, deceleration can be used to stop the motor without overshoot.

With L/R drives peak force and speeds are reduced, using a unipolar drive will yield a further 30% force reduction.

28000 Series: Size 11 Linear Actuator

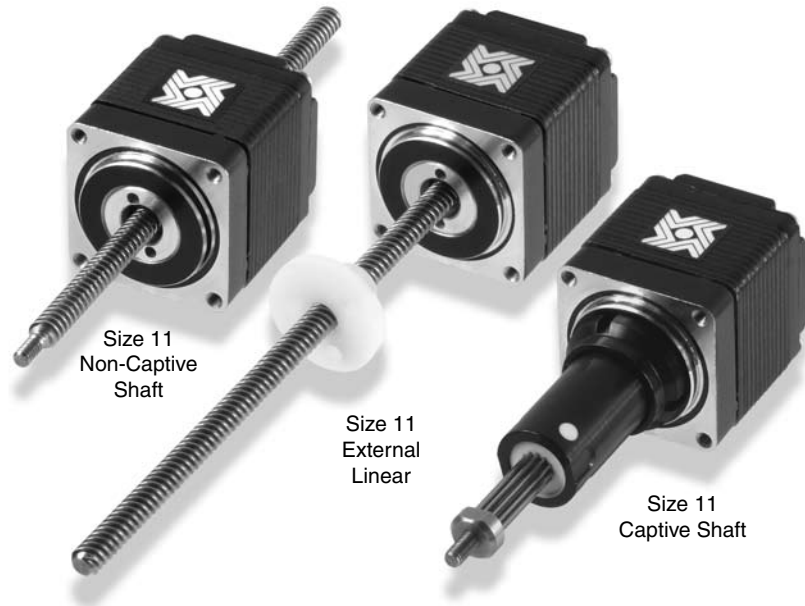
Haydon Kerk Motion Solutions, Inc. • www.HaydonKerk.com • Phone: 800.243.2715 • International: 203.756.7441

Haydon™ brand Size 11 hybrid linear actuators offer compact, production-proven precision in motion.

HYBRID LINEAR ACTUATOR
STEPPER MOTORS

The various patented designs deliver high performance, opening avenues for equipment designers who require performance and endurance in a very small package.

Three designs are available, captive, non-captive and external linear versions. The 28000 Series is available in a wide variety of resolutions - from 0.000125-in (.003175 mm) per step to 0.002-in (.0508 mm) per step. The Size 11 actuator delivers thrust of up to 20 lbs. (90 N).



Salient Characteristics

Size 11: 28 mm (1.1-in) Hybrid Linear Actuator (1.8° Step Angle)						
Part No.	Captive	28H4(X)-V		28H6(X)-V		
	Non-captive	28F4(X)-V		28F6(X)-V		
	External Lin.	E28H4(X)-V		E28H6(X)-V		
Wiring		Bipolar			Unipolar**	
Winding voltage		2.1 VDC	5 VDC	12 VDC	5 VDC	12 VDC
Current/phase		1.0 A	0.42 A	0.18 A	0.42 A	0.18 A
Resistance/phase		2.1 Ω	11.9 Ω	68.6 Ω	11.9 Ω	68.6 Ω
Inductance/phase		1.5 mH	6.7 mH	39.0 mH	3.3 mH	19.5 mH
Power consumption		4.2 W				
Rotor inertia		9.0 gcm ²				
Insulation Class		Class B (Class F available)				
Weight		4.2 oz (119 g)				
Insulation resistance		20 MΩ				

Linear Travel / Step		Order Code I.D.
Screw Ø.1875" (4.76mm)		
inches	mm	
.000125	.0031*	7
.00025	.0063*	9
.0005	.0127	3
.001	.0254	1
.002	.0508	2

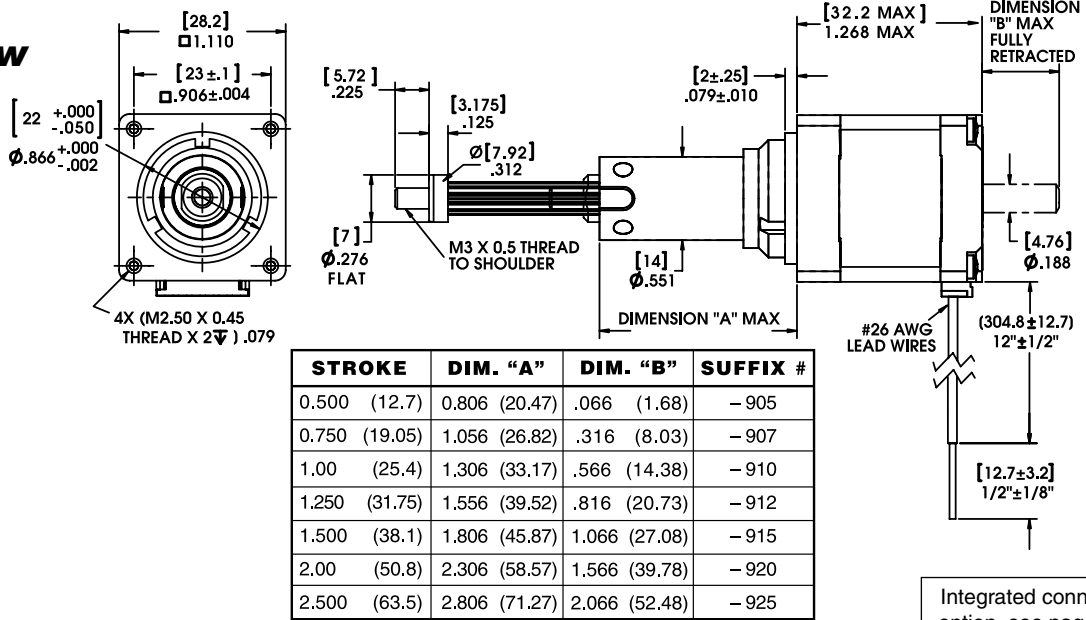
*Values truncated

Standard motors are Class B rated for maximum temperature of 130°C.

Special drive considerations may be necessary when leaving shaft fully extended or fully retracted.

** Unipolar drive gives approximately 30% less thrust than bipolar drive.

Captive Lead-screw

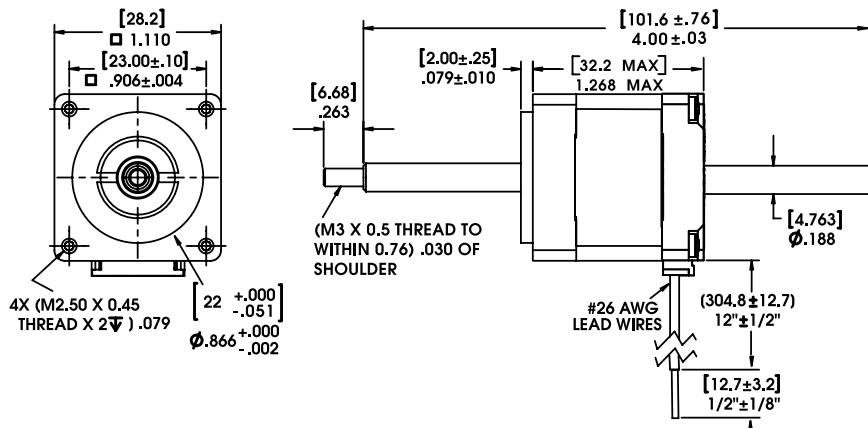


HYBRID LINEAR ACTUATOR
STEPPER MOTORS

Integrated connector option, see page 121

Non-Captive Lead-screw

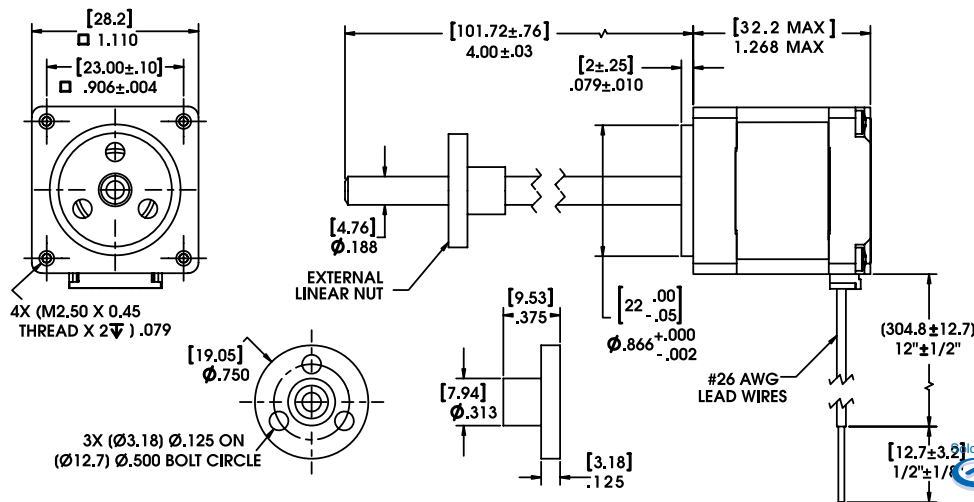
Up to 8-in (203 mm) standard screw lengths. Longer screw lengths are available.



Integrated connector option, see page 121

External Linear

Up to 8-in (203 mm) standard screw lengths. Longer screw lengths are available.



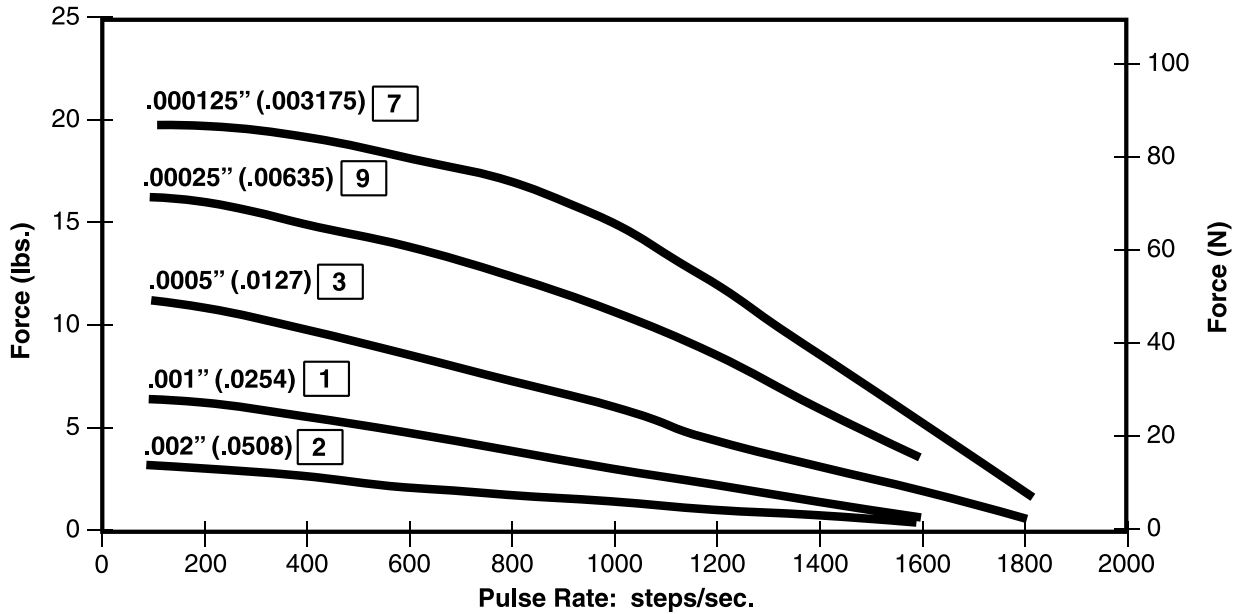
Integrated connector option, see page 121

28000 Series: Size 11 Performance Curves

Haydon Kerk Motion Solutions, Inc. • www.HaydonKerk.com • Phone: 800.243.2715 • International: 203.756.7441

FORCE vs. PULSE RATE Bipolar • Chopper • 100% Duty Cycle

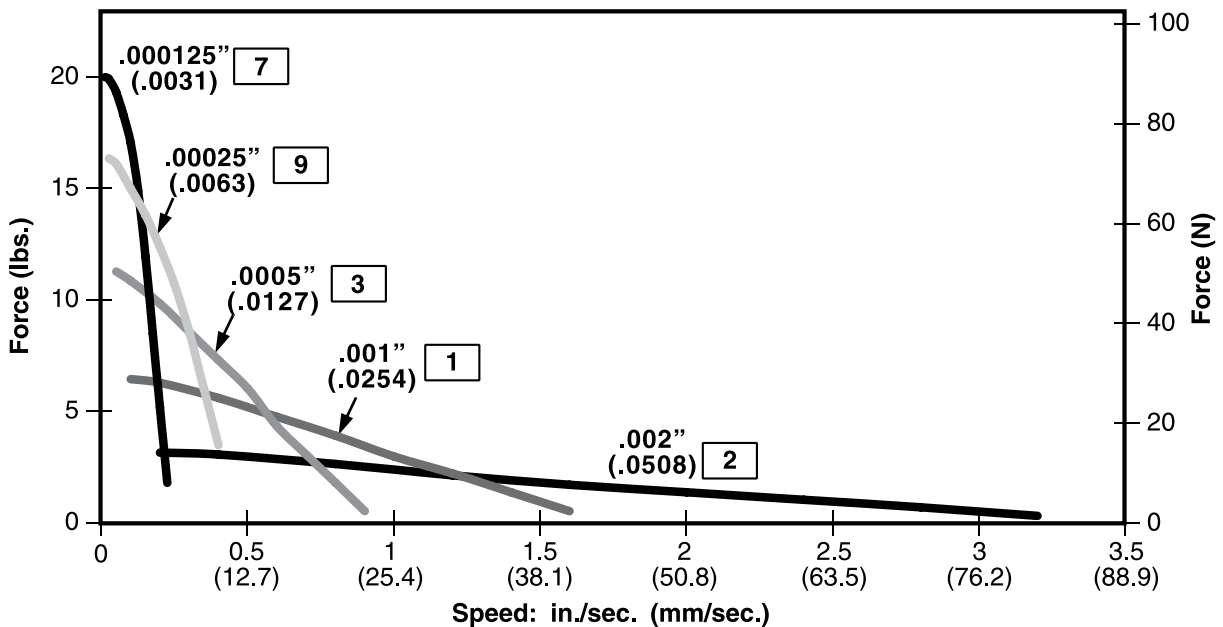
Ø .187 (4.75) Lead-screw



HYBRID LINEAR ACTUATOR
STEPPER MOTORS

FORCE vs. LINEAR VELOCITY Bipolar • Chopper • 100% Duty Cycle

Ø .187 (4.75) Lead-screw



NOTE: All chopper drive curves were created with a 5 volt motor and a 40 volt power supply.

Ramping can increase the performance of a motor either by increasing the top speed or getting a heavier load accelerated up to speed faster. Also, deceleration can be used to stop the motor without overshoot.

With L/R drives peak force and speeds are reduced, using a unipolar drive will yield a further 30% force reduction.

**Haydon™ 28000 Series Size 11
Double Stack hybrid linear actuators
for enhanced performance.**

Three designs are available, captive, non-captive and external linear versions. The 28000 Series is available in a wide variety of resolutions - from 0.000125" (.003175 mm) per step to 0.002" (.0508 mm) per step. The Size 11 actuator delivers thrust of up to 30 lbs. (133 N).



HYBRID LINEAR ACTUATOR
STEPPER MOTORS

Salient Characteristics

Size 11: 28 mm (1.1-in) Double Stack Hybrid Linear Actuator (1.8° Step Angle)			
Part No.	Captive	28M4(X)-V	
	Non-captive	28L4(X)-V	
	External Lin.	E28M4(X)-V	
Wiring		Bipolar	
Winding voltage	2.1 VDC	5 VDC	12 VDC
Current/phase	1.9 A	750 mA	350 mA
Resistance/phase	1.1 Ω	6.7 Ω	34.8 Ω
Inductance/phase	1.1 mH	5.8 mH	35.6 mH
Power consumption	7.5 W Total		
Insulation Class	Class B (Class F available)		
Weight	5.8 oz (180 g)		
Insulation resistance	20 MΩ		
Max. Load Limit	30 lbs (133 N)		

Linear Travel / Step		Order Code I.D.
Screw Ø .1875" (4.76mm) inches	mm	
.000125	.0031*	7
.00025	.0063*	9
.0005	.0127	3
.001	.0254	1
.002	.0508	2

*Values truncated

Standard motors are Class B rated for maximum temperature of 130°C.

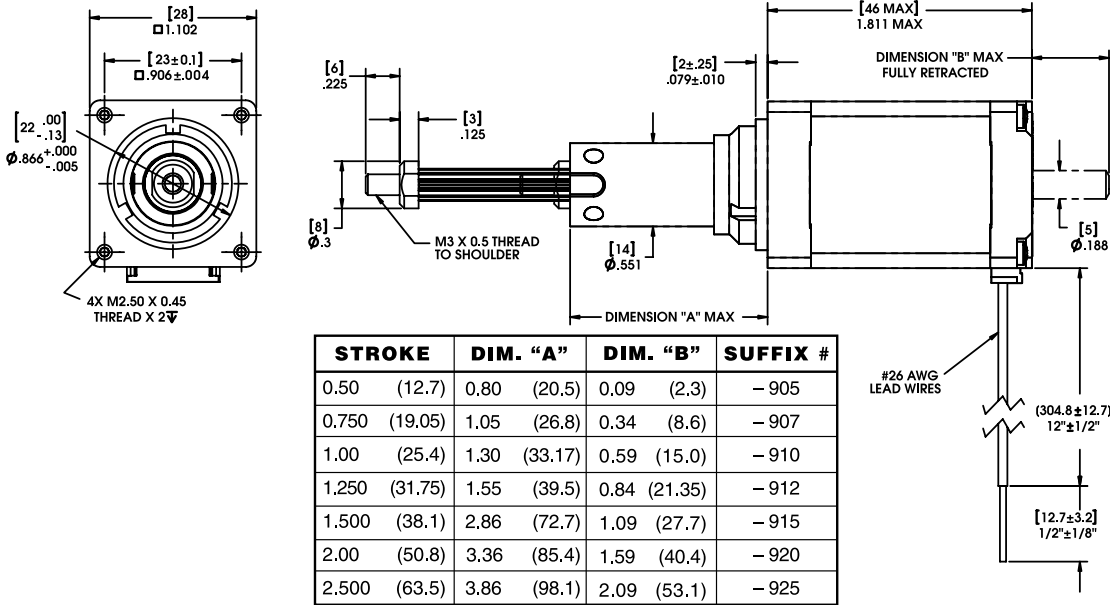
Special drive considerations may be necessary when leaving shaft fully extended or fully retracted.

28000 Series: Size 11 Double Stack Dimensional Drawings

Haydon Kerk Motion Solutions, Inc. • www.HaydonKerk.com • Phone: 800.243.2715 • International: 203.756.7441

Captive Lead-screw

HYBRID LINEAR ACTUATOR
STEPPER MOTORS

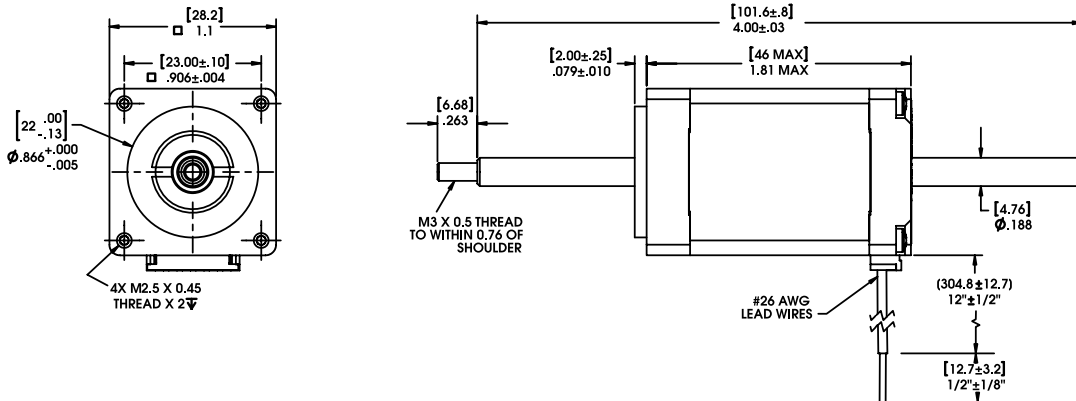


Integrated connector option, see page 121

Non-Captive Lead-screw

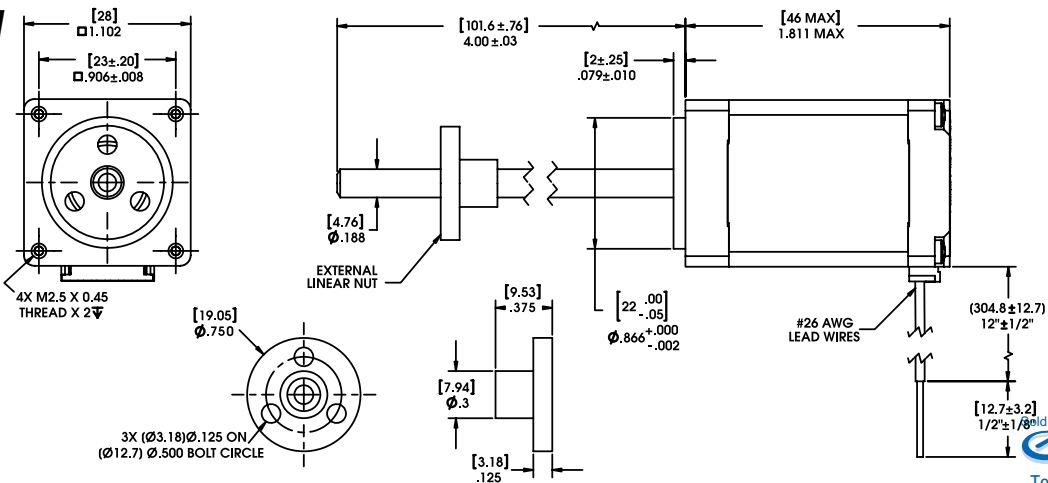
Up to 6-in (152 mm) standard screw lengths. Longer screw lengths are available.

Integrated connector option, see page 121



External Linear

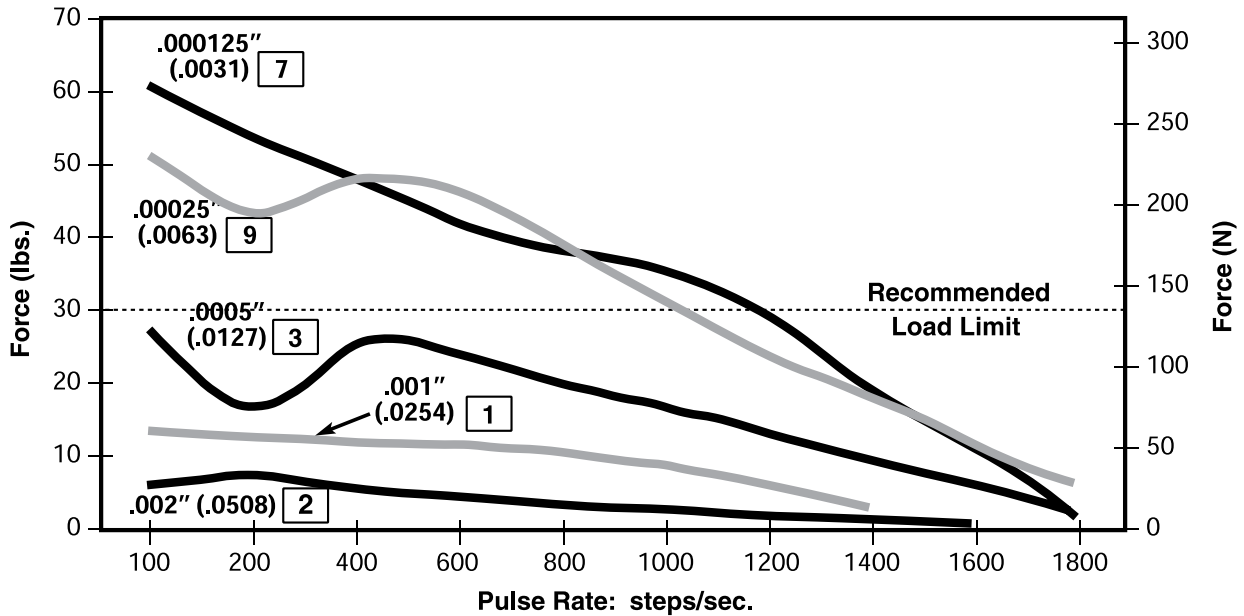
Up to 6-in (152 mm) standard screw lengths. Longer screw lengths are available.



Integrated connector option, see page 121

FORCE vs. PULSE RATE Bipolar • Chopper • 100% Duty Cycle

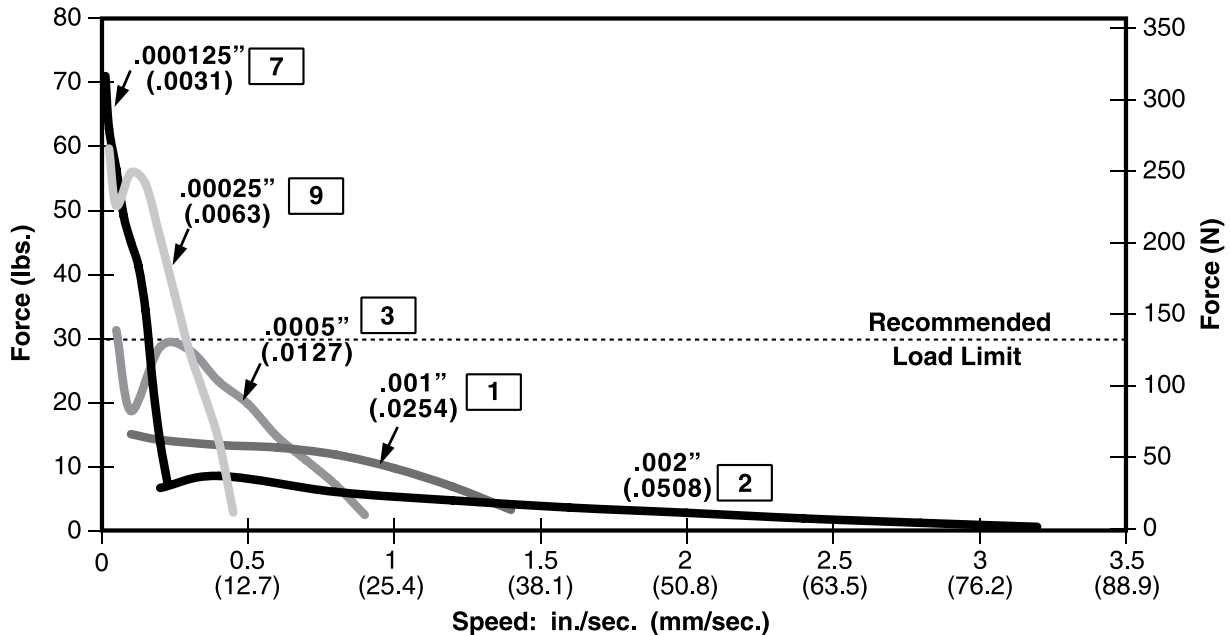
Ø .187 (4.75) Lead-screw



HYBRID LINEAR ACTUATOR
STEPPER MOTORS

FORCE vs. LINEAR VELOCITY Bipolar • Chopper • 100% Duty Cycle

Ø .187 (4.75) Lead-screw



NOTE: All chopper drive curves were created with a 5 volt motor and a 40 volt power supply.

Ramping can increase the performance of a motor either by increasing the top speed or getting a heavier load accelerated up to speed faster. Also, deceleration can be used to stop the motor without overshoot.

With L/R drives peak force and speeds are reduced, using a unipolar drive will yield a further 30% force reduction.

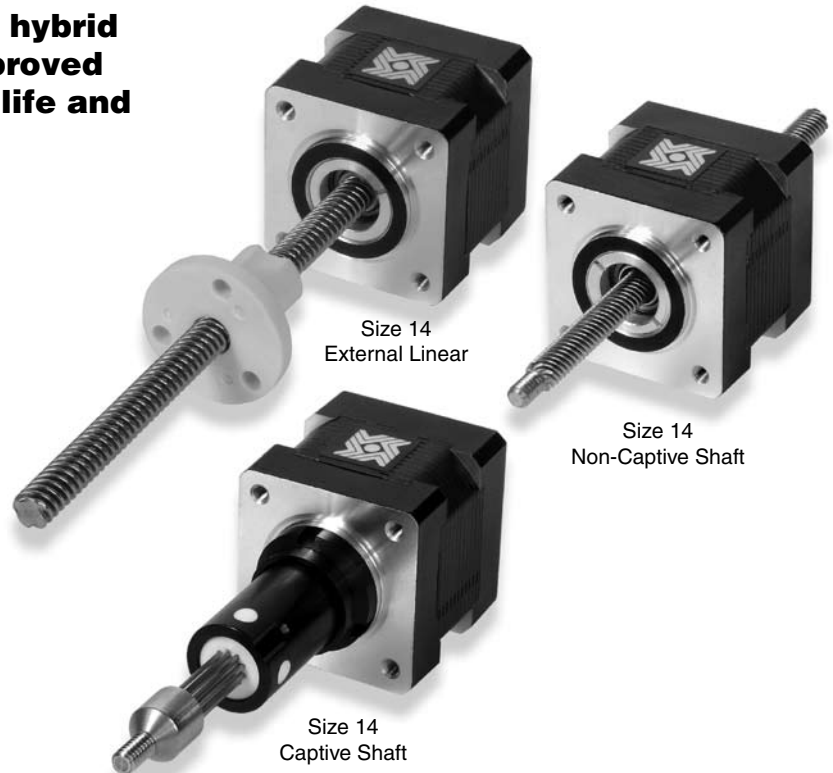
35000 Series: Size 14 Linear Actuator

Haydon Kerk Motion Solutions, Inc. • www.HaydonKerk.com • Phone: 800.243.2715 • International: 203.756.7441

Haydon™ 35000 Series Size 14 hybrid linear actuators have been improved to provide higher force, longer life and improved performance.

The various designs deliver exceptional performance and new linear motion design opportunities. Three designs are available, captive, non-captive and external linear versions. The 35000 Series is available in a wide variety of resolutions - from 0.00012-in (.003048 mm) per step to 0.00192-in (.048768 mm) per step. The motors can also be microstepped for even finer resolutions. The Size 14 actuator delivers thrust of up to 50 lbs. (222 N).

HYBRID LINEAR ACTUATOR
STEPPER MOTORS

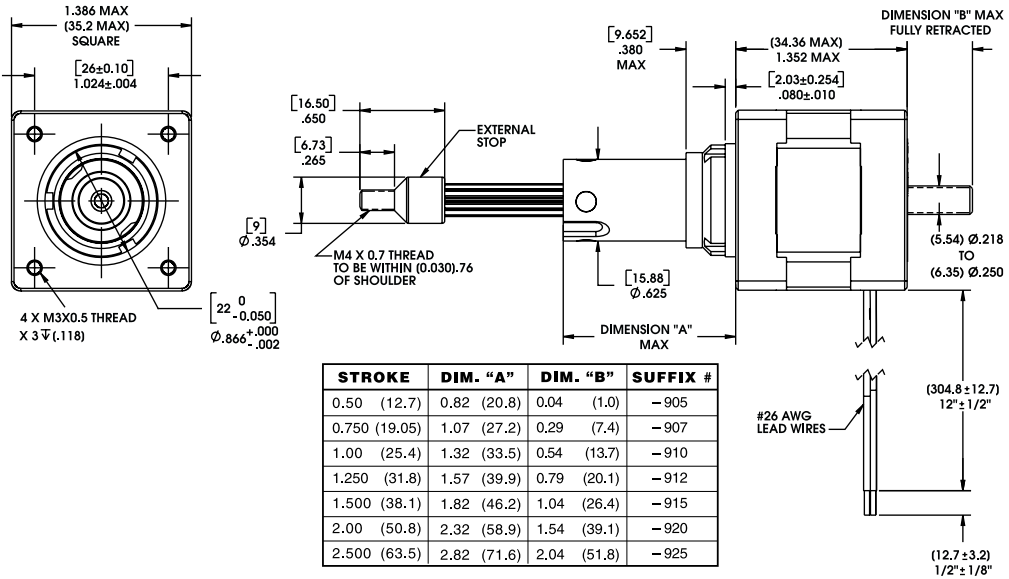


Salient Characteristics

Size 14: 35 mm (1.4-in) Hybrid Linear Actuator (1.8° Step Angle)						Linear Travel / Step							
Part No.	Captive	35H4(X)-V			35H6(X)-V			Screw Ø		Order Code I.D.	Screw Ø		Order Code I.D.
		35F4(X)-V			35F6(X)-V			.218" (5.54 mm)	.250" (6.35 mm)		.00015625	.0039"	
	Non-captive	E35H4(X)-V			E35H6(X)-V			inches	mm		inches	mm	
Wiring		Bipolar			Unipolar**								
	External Lin.							.00012	.0030*	N	.00015625	.0039*	P
								.00024	.0060*	K	.0003125	.0079*	A
								.00048	.0121*	J	.000625	.0158*	B
								.00096	.0243*	Q	.00125	.0317*	C
								.00192	.0487*	R			
Winding voltage		2.33 VDC	5 VDC	12 VDC	5 VDC	12 VDC	*Values truncated Standard motors are Class B rated for maximum temperature of 130°C. Special drive considerations may be necessary when leaving shaft fully extended or fully retracted.						
Current/phase		1.25 A	0.57 A	0.24 A	0.57 A	0.24 A							
Resistance/phase		1.86 Ω	8.8 Ω	50.5 Ω	8.8 Ω	50.5 Ω							
Inductance/phase		2.8 mH	13 mH	60 mH	6.5 mH	30 mH							
Power consumption		5.7 W											
Rotor inertia		27.0 gcm ²											
Insulation Class		Class B (Class F available)											
Weight		5.7 oz (162 g)											
Insulation resistance		20 MΩ											

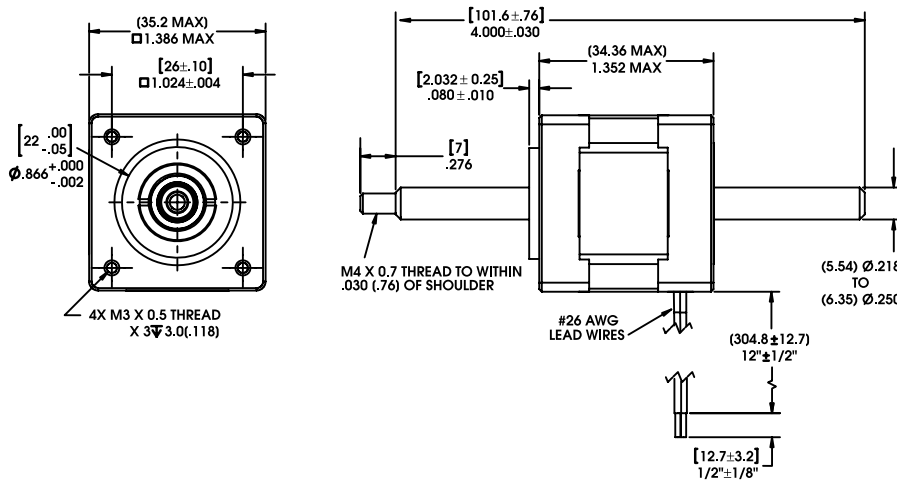
** Unipolar drive gives approximately 30% less thrust than bipolar drive.

Captive Lead-screw



HYBRID LINEAR ACTUATOR
STEPPER MOTORS

Non-Captive Lead-screw

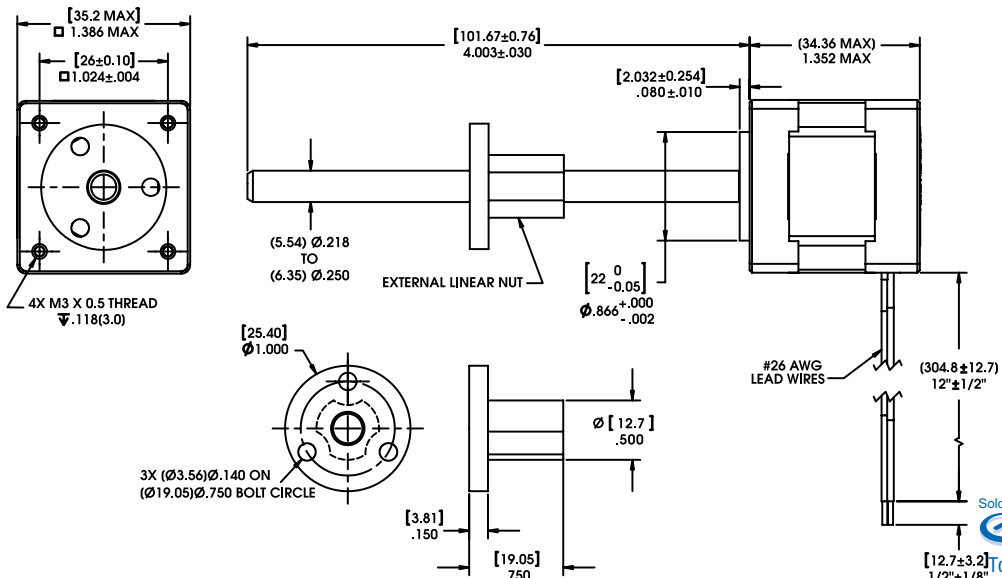


Up to 10-in (254 mm) standard screw lengths. Longer screw lengths are available.

Integrated connector option, see page 121

External Linear

Up to 10-in (254 mm) standard screw lengths. Longer screw lengths are available.



Integrated connector option, see page 121

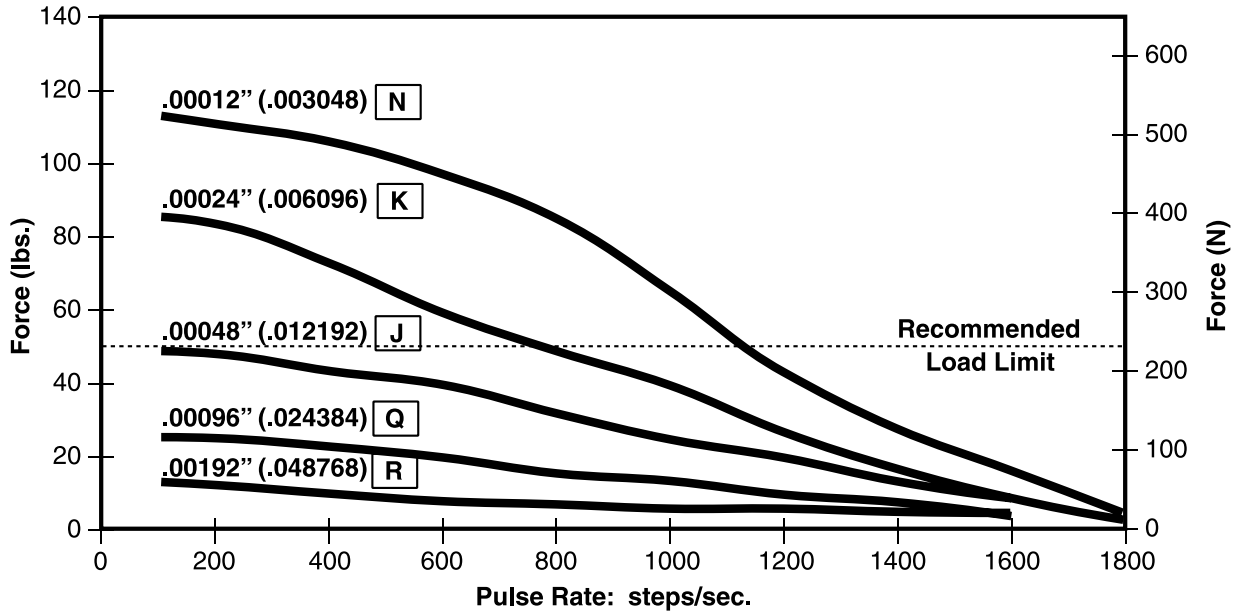
35000 Series: Size 14 Performance Curves

Haydon Kerk Motion Solutions, Inc. • www.HaydonKerk.com • Phone: 800.243.2715 • International: 203.756.7441

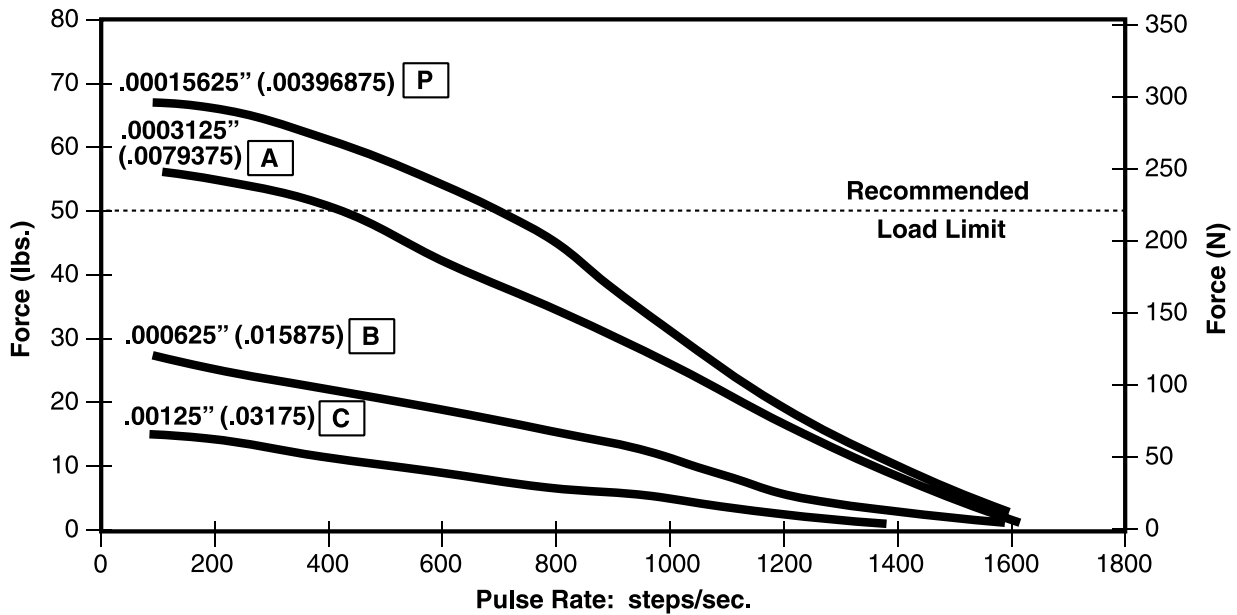
FORCE vs. PULSE RATE Bipolar • Chopper • 100% Duty Cycle

Ø .218 (5.54) Lead-screw

HYBRID LINEAR ACTUATOR
STEPPER MOTORS

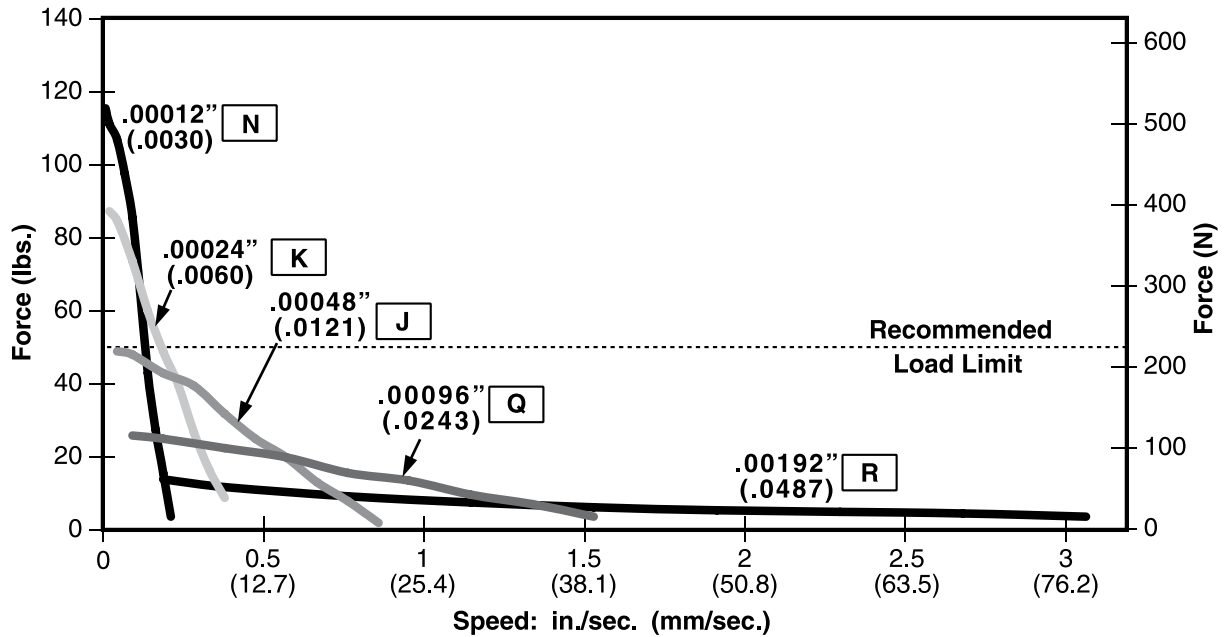


Ø .250 (6.35) Lead-screw



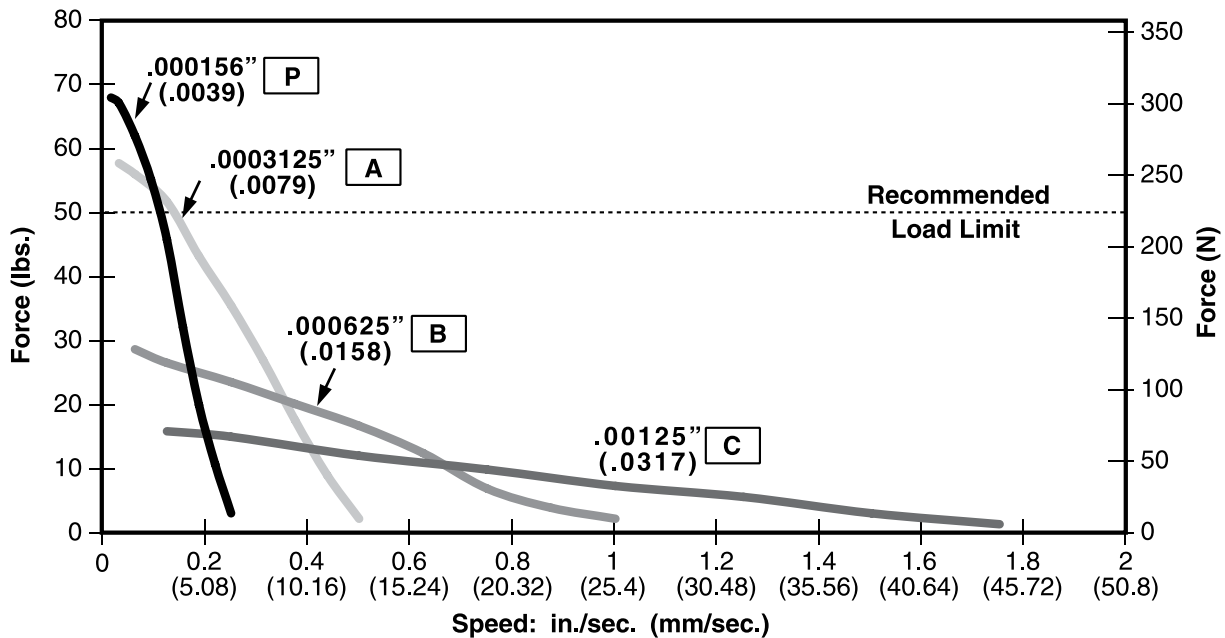
FORCE vs. LINEAR VELOCITY Bipolar • Chopper • 100% Duty Cycle

Ø .218 (5.54) Lead-screw



HYBRID LINEAR ACTUATOR
STEPPER MOTORS

Ø .250 (6.35) Lead-screw



NOTE: All chopper drive curves were created with a 5 volt motor and a 40 volt power supply.

Ramping can increase the performance of a motor either by increasing the top speed or getting a heavier load accelerated up to speed faster. Also, deceleration can be used to stop the motor without overshoot.

With L/R drives peak force and speeds are reduced, using a unipolar drive will yield a further 30% force reduction.

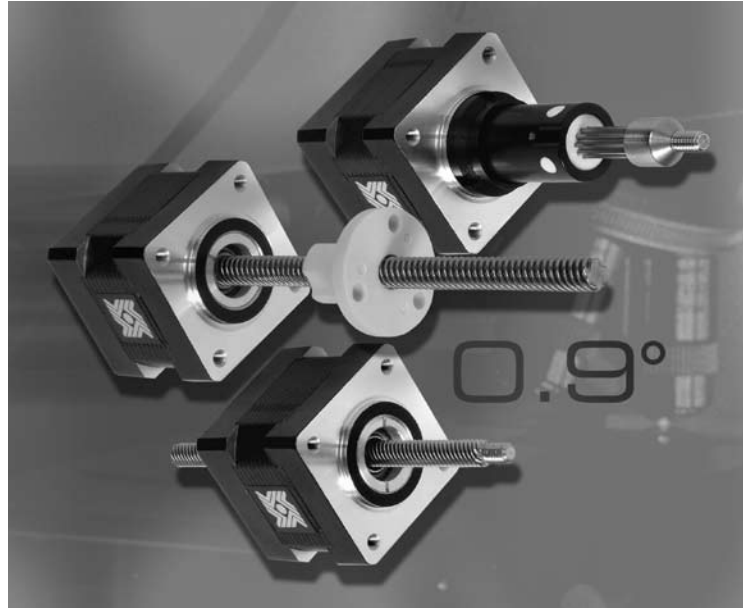
35000 Series: Size 14 High Resolution Linear Actuator



Haydon Kerk Motion Solutions, Inc. • www.HaydonKerk.com • Phone: 800.243.2715 • International: 203.756.7441

Precision step movement down to 1.5 micron with up to 50 lbs (222 N) force.

The Haydon™ 35000 Series Size 14, 0.9° high resolution (standard resolution = 1.8°) motor has been engineered to precisely deliver reliable high speed, force, up to 50 lbs (222 N), as well as a full step movement as low as 1.5 microns. These compact units provide a cost effective solution for engineers requiring positional accuracy and high speed linear travel. Haydon can custom design this motor for virtually any customer specific application.



HYBRID LINEAR ACTUATOR
STEPPER MOTORS

Salient Characteristics

Size 14: 35 mm (1.4-in) Hybrid Linear Actuator (0.9° Step Angle)						
Part No.	Captive	35K4(X)-V			35K6(X)-V	
	Non-captive	35J4(X)-V			35J6(X)-V	
	External Lin.	E35K4(X)-V			E35K6(X)-V	
Wiring		Bipolar			Unipolar**	
Winding voltage		2.33 VDC	5 VDC	12 VDC	5 VDC	12 VDC
Current/phase		1.25 A	0.57 A	0.24 A	0.57 A	0.24 A
Resistance/phase		1.86 Ω	8.8 Ω	50.5 Ω	8.8 Ω	50.5 Ω
Inductance/phase		2.8 mH	13 mH	60 mH	6.5 mH	30 mH
Power consumption		5.7 W				
Rotor inertia		27 gcm ²				
Insulation Class		Class B (Class F available)				
Weight		5.7 oz (162 g)				
Insulation resistance		20 MΩ				

Linear Travel / Step					
Screw Ø		Order	Screw Ø		Order
.218" (5.54 mm)	inches	Code	.250" (6.35 mm)	inches	Code
	mm	I.D.		mm	I.D.
.00006	.0015*	U	.000078*	.00198*	V
.00012	.0030*	N	.00015625	.0039*	P
.00024	.0060*	K	.0003125	.0079*	A
.00048	.0121*	J	.000625	.0158*	B
.00096	.0243*	Q			

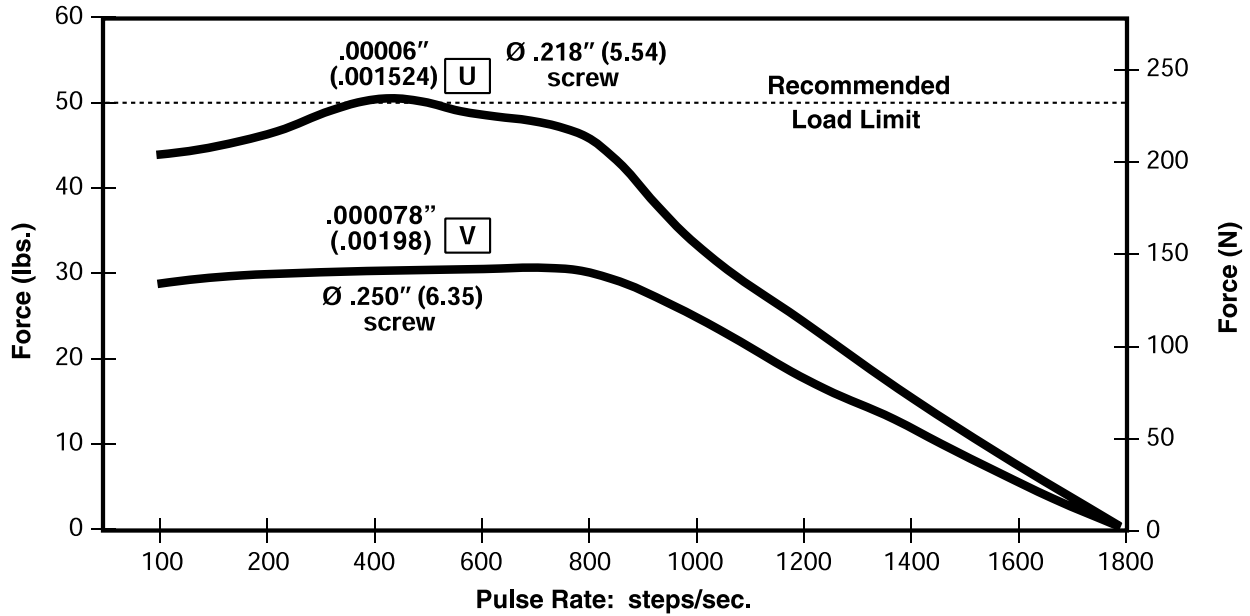
*Values truncated

Special drive considerations may be necessary when leaving shaft fully extended or fully retracted.

** Unipolar drive gives approximately 30% less thrust than bipolar drive.

FORCE vs. PULSE RATE Bipolar • Chopper • 100% Duty Cycle

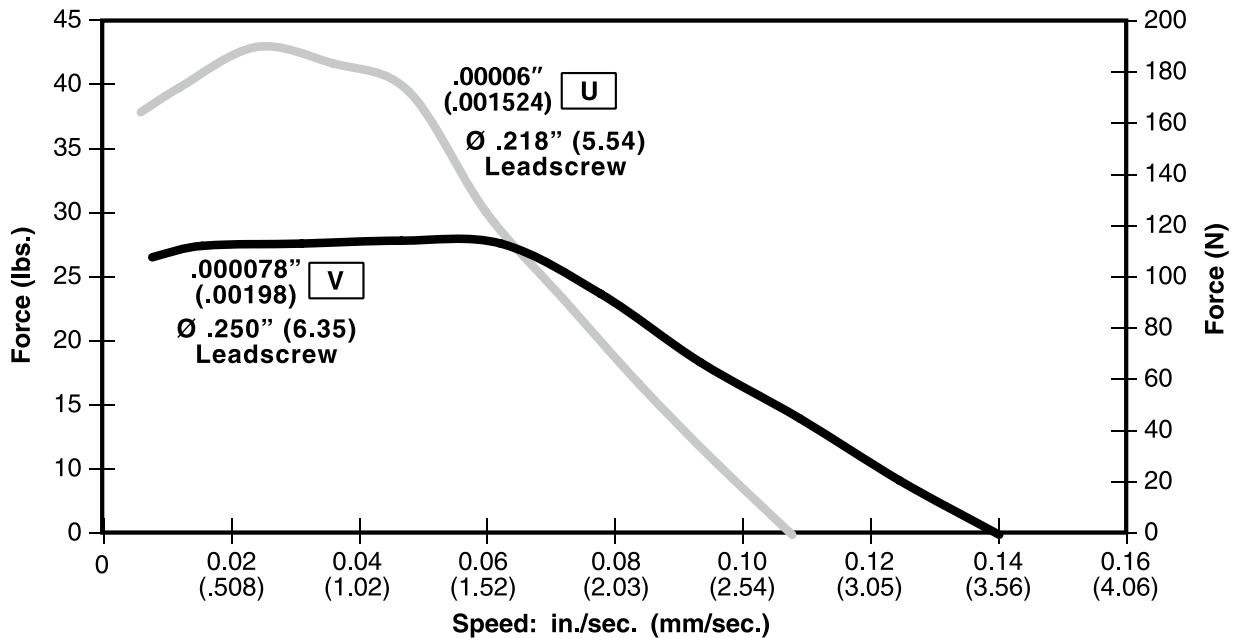
Ø .218 (5.54) and Ø .250 (6.35) Lead-screws



HYBRID LINEAR ACTUATOR
STEPPER MOTORS

FORCE vs. LINEAR VELOCITY Bipolar • Chopper • 100% Duty Cycle

Ø .218 (5.54) and Ø .250 (6.35) Lead-screws



NOTE: All chopper drive curves were created with a 5 volt motor and a 40 volt power supply.

Ramping can increase the performance of a motor either by increasing the top speed or getting a heavier load accelerated up to speed faster. Also, deceleration can be used to stop the motor without overshoot.

With L/R drives peak force and speeds are reduced, using a unipolar drive will yield a further 30% force reduction.

35000 Series: Size 14 Double Stack Linear Actuator

HYBRID LINEAR ACTUATOR
STEPPER MOTORS



Size 14 Double Stack
Captive Shaft

Size 14 Double Stack
External Linear

Size 14
Double Stack
Non-Captive
Shaft

Haydon™ 35000 Series Size 14 Double Stack hybrid linear actuators have improve force and performance.

The Size 14 Double Stack designs deliver exceptional performance and new linear motion design opportunities.

Three designs are available, captive, non-captive and external linear versions. The 35000 Series is available in a wide variety of resolutions - from 0.000625-in (.0158 mm) per step to 0.005-in (.127 mm) per step. The motors can also be microstepped for even finer resolutions. The Size 14 actuator delivers thrust of up to 50 lbs. (222 N).

Salient Characteristics

Size 14: 3 mm (1.4-in) Double Stack Hybrid Linear Actuator (1.8° Step Angle)			
Part No.	Captive	35M4(X)-V	
	Non-captive	35L4(X)-V	
	External Lin.	E35M4(X)-V	
Wiring		Bipolar	
Winding voltage	2.33 VDC	5 VDC	12 VDC
Current/phase	2 A	910 mA	380 mA
Resistance/phase	1.2 Ω	5.5 Ω	31.6 Ω
Inductance/phase	1.95 mH	7.63 mH	65.1 mH
Power consumption	9.1 W Total		
Insulation Class	Class B (Class F available)		
Weight	8.5 oz (240 g)		
Insulation resistance	20 MΩ		
Max. Load Limit	50 lbs (222 N)		

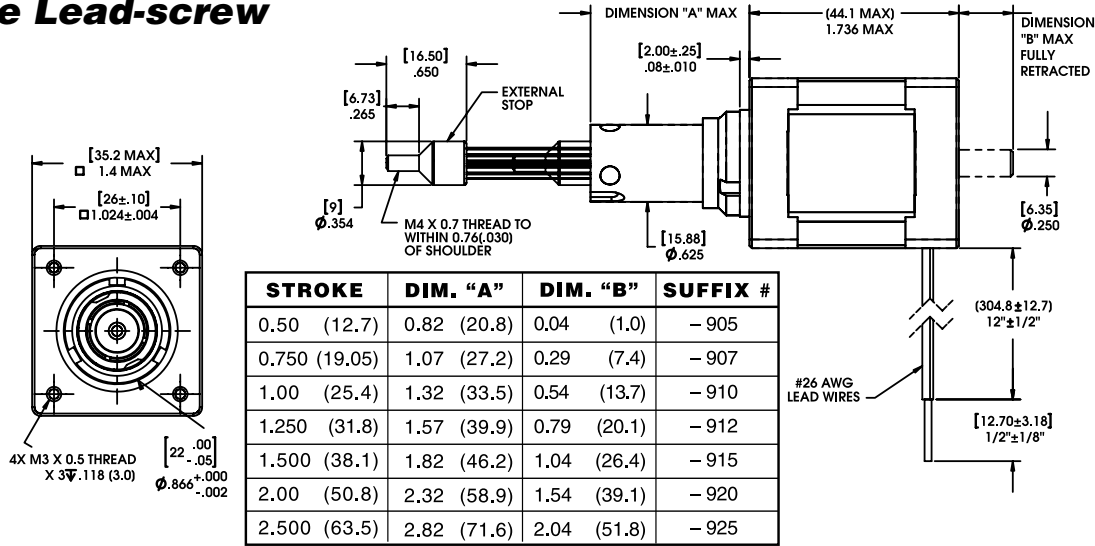
Linear Travel / Step		Order Code I.D.
Screw Ø.250" (6.35 mm) inches	mm	
.000625	.0158*	B
.00125	.0317*	C
.0025	.0635	Y
.00375	.0953	AG
.005	.127	Z

*Values truncated

Standard motors are Class B rated for maximum temperature of 130°C.

Special drive considerations may be necessary when leaving shaft fully extended or fully retracted.

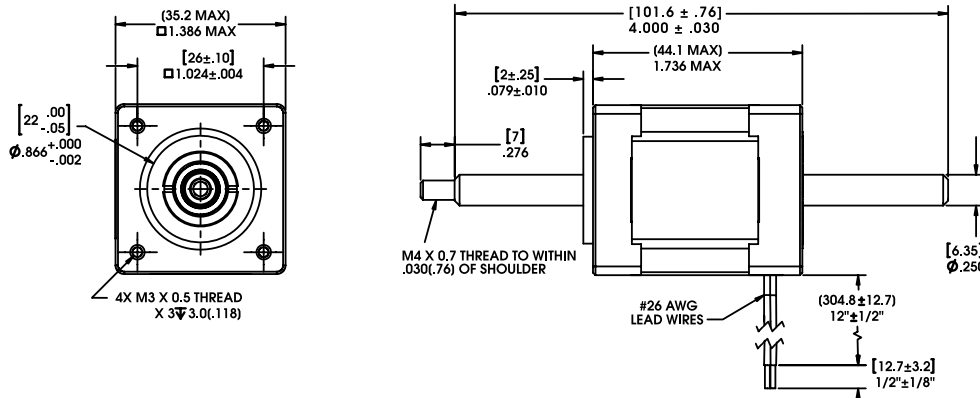
Captive Lead-screw



Integrated connector option, see page 121

HYBRID LINEAR ACTUATOR STEPPER MOTORS

Non-Captive Lead-screw

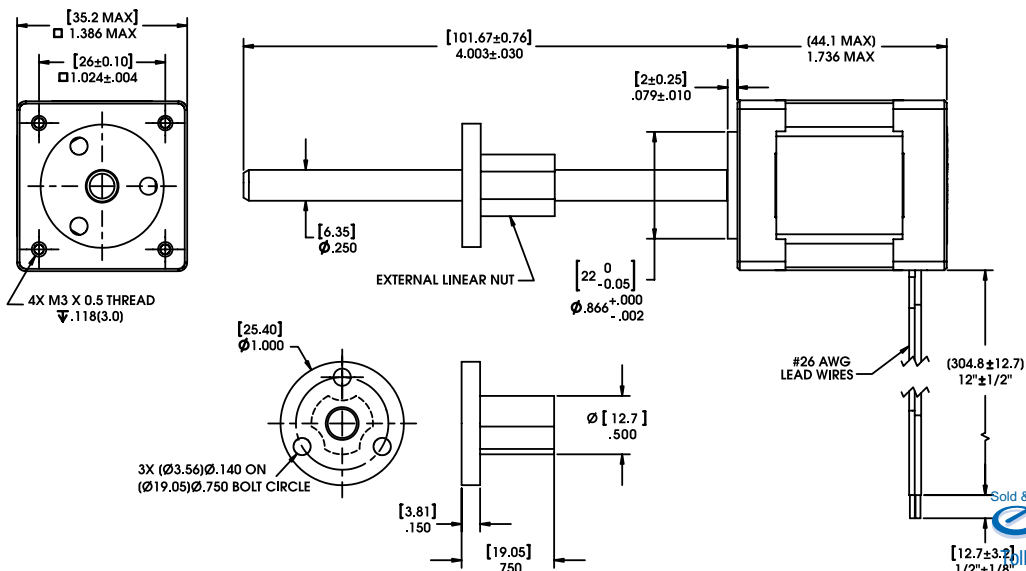


Up to 6-in (152 mm) standard screw lengths. Longer screw lengths are available.

Integrated connector option, see page 121

External Linear

Up to 6-in (152 mm) standard screw lengths. Longer screw lengths are available.



Integrated connector option, see page 121

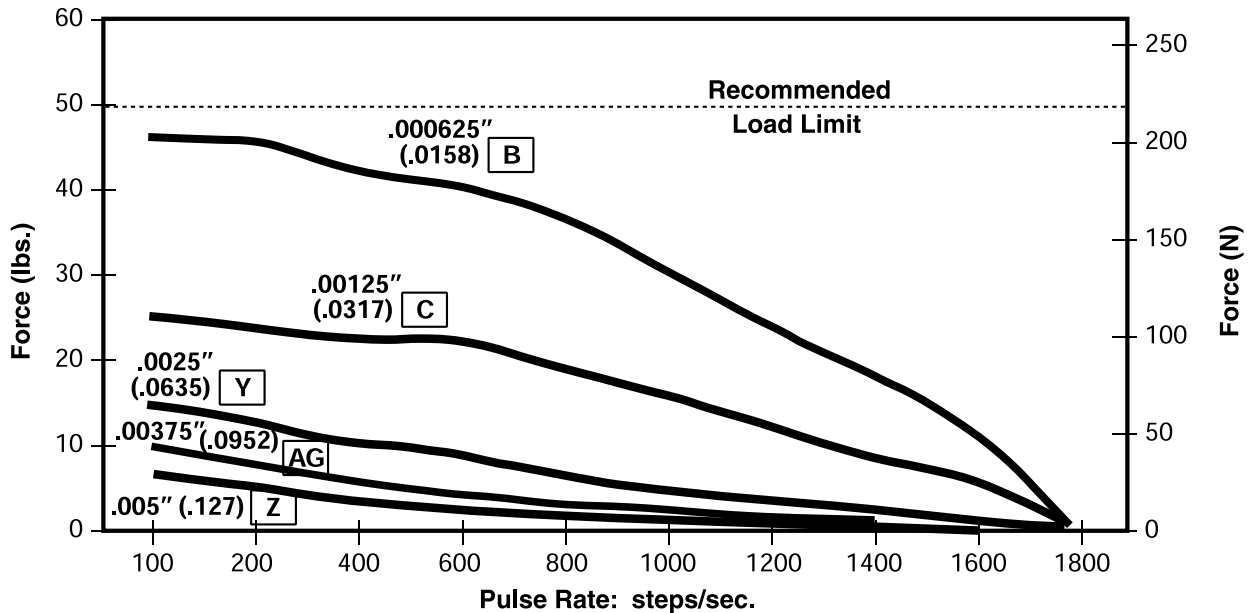
35000 Series: Size 14 Double Stack Performance Curves



Haydon Kerk Motion Solutions, Inc. • www.HaydonKerk.com • Phone: 800.243.2715 • International: 203.756.7441

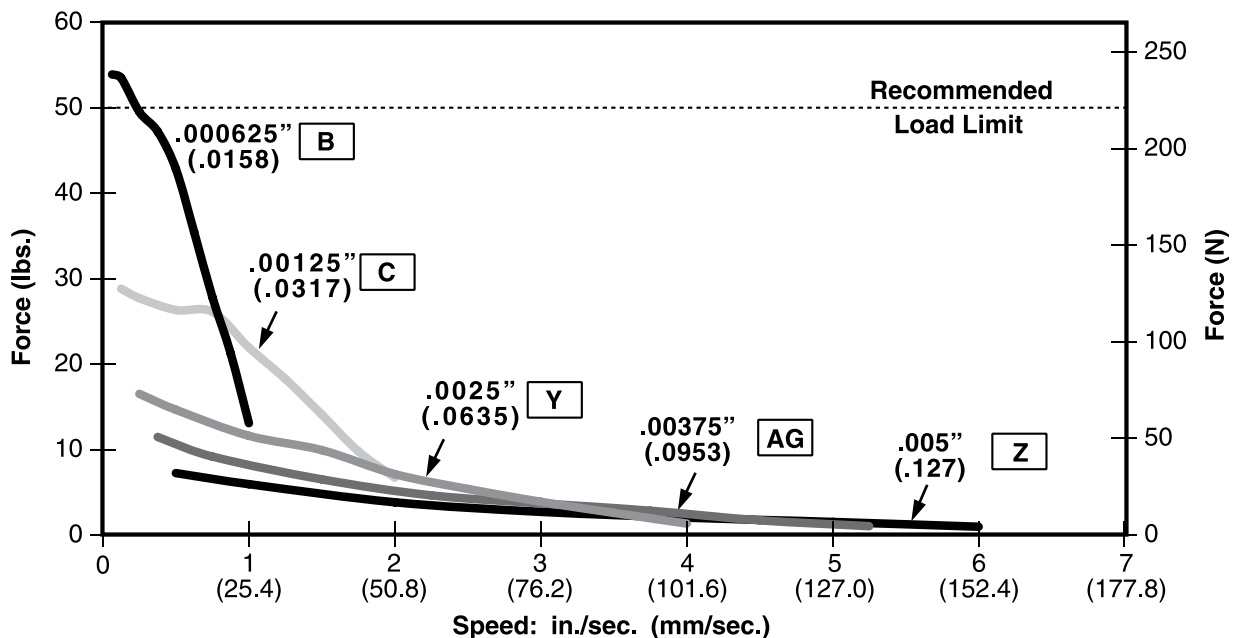
FORCE vs. PULSE RATE Bipolar • Chopper • 100% Duty Cycle

Ø .250 (6.35) Lead-screw



FORCE vs. LINEAR VELOCITY Bipolar • Chopper • 100% Duty Cycle

Ø .250 (6.35) Lead-screw



NOTE: All chopper drive curves were created with a 5 volt motor and a 40 volt power supply.

Ramping can increase the performance of a motor either by increasing the top speed or getting a heavier load accelerated up to speed faster. Also, deceleration can be used to stop the motor without overshoot.

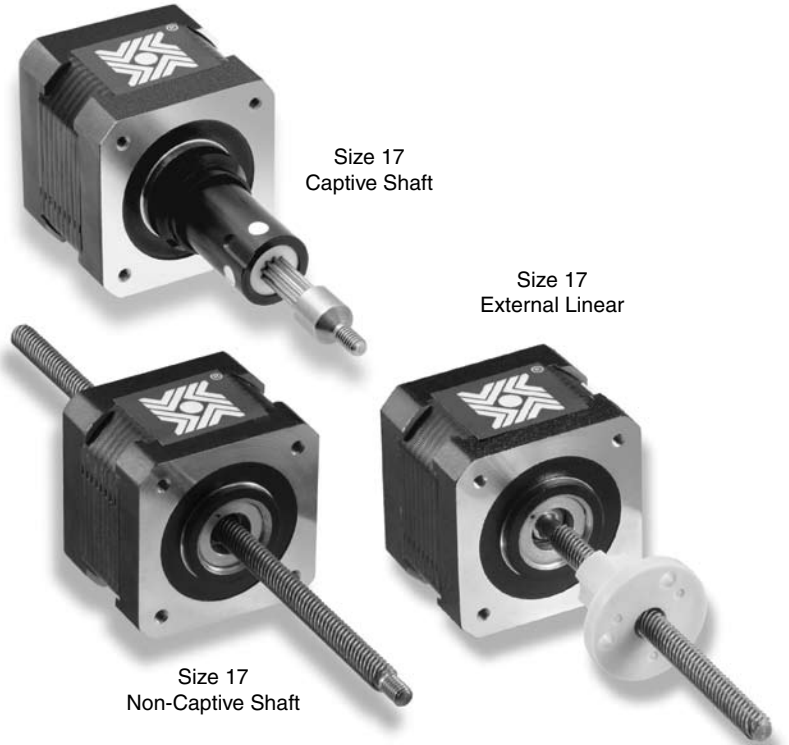
With L/R drives peak force and speeds are reduced, using a unipolar drive will yield a further 30% force reduction.

Sold & Serviced By:
ELECTROMATE
 Toll Free Phone (877) SERV098
 Toll Free Fax (877) SERV099
 www.electromate.com
 sales@electromate.com

Haydon™ 43000 Series Size 17 hybrid linear actuators are our best selling compact hybrid motors.

These top selling designs deliver high performance, opening avenues for equipment designers who previously settled for products with inferior performance and endurance.

Three designs are available, captive, non-captive and external linear versions. The 43000 Series is available in a wide variety of resolutions - from 0.00006-in. (.001524 mm) per step to 0.00192-in. (.048768 mm) per step - and delivers thrust of up to 50 lbs. (222 N), or speeds exceeding 3 inches (7.62 cm) per second.



HYBRID LINEAR ACTUATOR STEPPER MOTORS

Salient Characteristics

Size 17: 43 mm (1.7-in) Hybrid Linear Actuator (1.8° Step Angle)						
Part No.	Captive	43H4(X)-V		43H6(X)-V		
	Non-captive	43F4(X)-V		43F6(X)-V		
	External Lin.	E43H4(X)-V		E43H6(X)-V		
Wiring		Bipolar			Unipolar**	
Winding voltage	2.33 VDC	5 VDC	12 VDC	5 VDC	12 VDC	
Current/phase	1.5 A	700 mA	290 mA	700 mA	290 mA	
Resistance/phase	1.56 Ω	7.2 Ω	41.5 Ω	7.2 Ω	41.5 Ω	
Inductance/phase	1.9 mH	8.7 mH	54.0 mH	4.4 mH	27.0 mH	
Power consumption	7 W					
Rotor inertia	37 gcm ²					
Insulation Class	Class B (Class F available)					
Weight	8.5 oz (241 g)					
Insulation resistance	20 MΩ					

Linear Travel / Step					
Screw Ø .218" (5.54 mm) inches	Screw Ø .250" (6.35 mm) inches	Order Code	Screw Ø .218" (5.54 mm) inches	Screw Ø .250" (6.35 mm) inches	Order Code
		I.D.			I.D.
.00012	.0030*	N	.00015625	.0039*	P
.00024	.0060*	K	.0003125	.0079*	A
.00048	.0121*	J	.000625	.0158*	B
.00096	.0243*	Q	.00125	.0317*	C
.00192	.0487*	R			

*Values truncated

Standard motors are Class B rated for maximum temperature of 130°C. Also available, motors with high temperature capability windings up to 155°C.

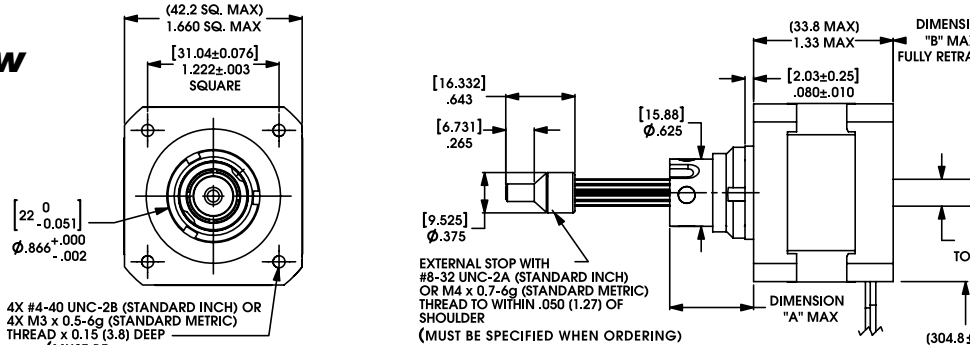
Special drive considerations may be necessary when leaving shaft fully extended or fully retracted.

** Unipolar drive gives approximately 30% less thrust than bipolar drive.

43000 Series: Size 17 Dimensional Drawings

Haydon Kerk Motion Solutions, Inc. • www.HaydonKerk.com • Phone: 800.243.2715 • International: 203.756.7441

Captive Lead-screw



4X #4-40 UNC-2B (STANDARD INCH) OR 4X M3 x 0.5-6g (STANDARD METRIC) THREAD X 0.15 (3.8) DEEP (MUST BE SPECIFIED WHEN ORDERING)
M3 MOUNTING HOLES AVAILABLE ON REQUEST.

EXTERNAL STOP WITH #8-32 UNC-2A (STANDARD INCH) OR M4 x 0.7-6g (STANDARD METRIC) THREAD TO WITHIN .050 (1.27) OF SHOULDER (MUST BE SPECIFIED WHEN ORDERING)

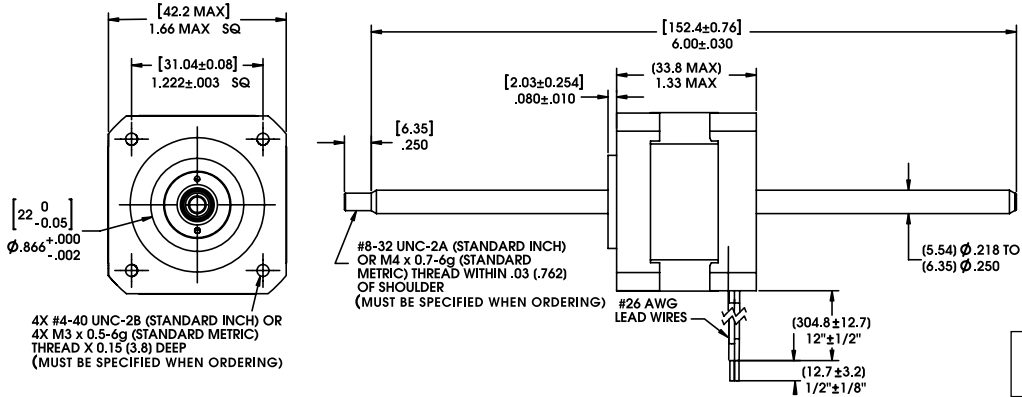
STROKE	DIM. "A"	DIM. "B"	SUFFIX #	M4x0.7 thread
0.500 (12.7)	0.78 (19.8)	0.16 (4.1)	-905	-805
0.750 (19.05)	1.03 (26.2)	0.41 (10.4)	-907	-807
1.00 (25.4)	1.28 (32.5)	0.66 (16.8)	-910	-810
1.250 (31.8)	1.53 (38.9)	0.91 (23.1)	-912	-812
1.500 (38.1)	1.78 (45.2)	1.16 (29.5)	-915	-815
2.00 (50.8)	2.28 (57.9)	1.66 (42.2)	-920	-820
2.500 (63.5)	2.78 (70.6)	2.16 (54.9)	-925	-825

Integrated connector option, see page 121

HYBRID LINEAR ACTUATOR STEPPER MOTORS

Non-Captive Lead-screw

Up to 10-in (254 mm) standard screw lengths. Longer screw lengths are available.

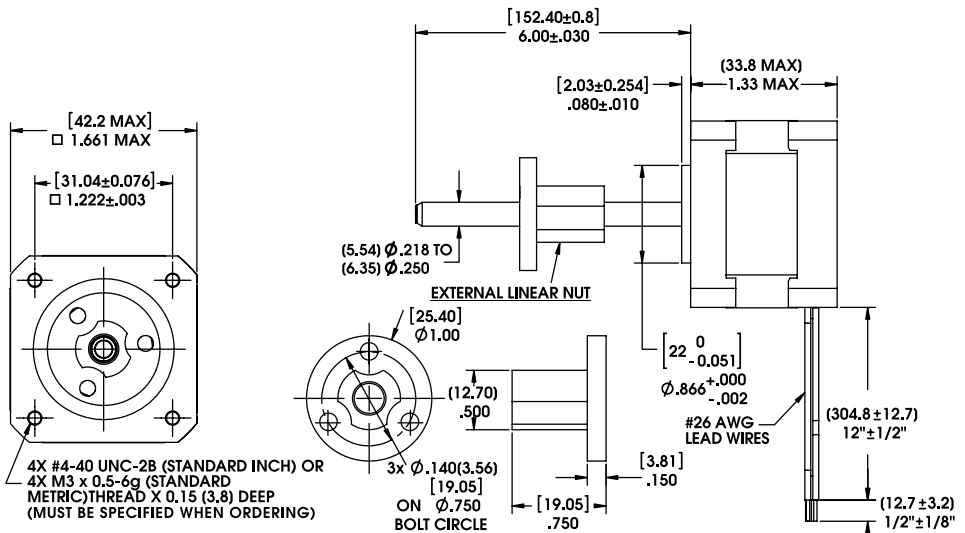


4X #4-40 UNC-2B (STANDARD INCH) OR 4X M3 x 0.5-6g (STANDARD METRIC) THREAD X 0.15 (3.8) DEEP (MUST BE SPECIFIED WHEN ORDERING)

Integrated connector option, see page 121

External Linear

Up to 10-in (254 mm) standard screw lengths. Longer screw lengths are available.



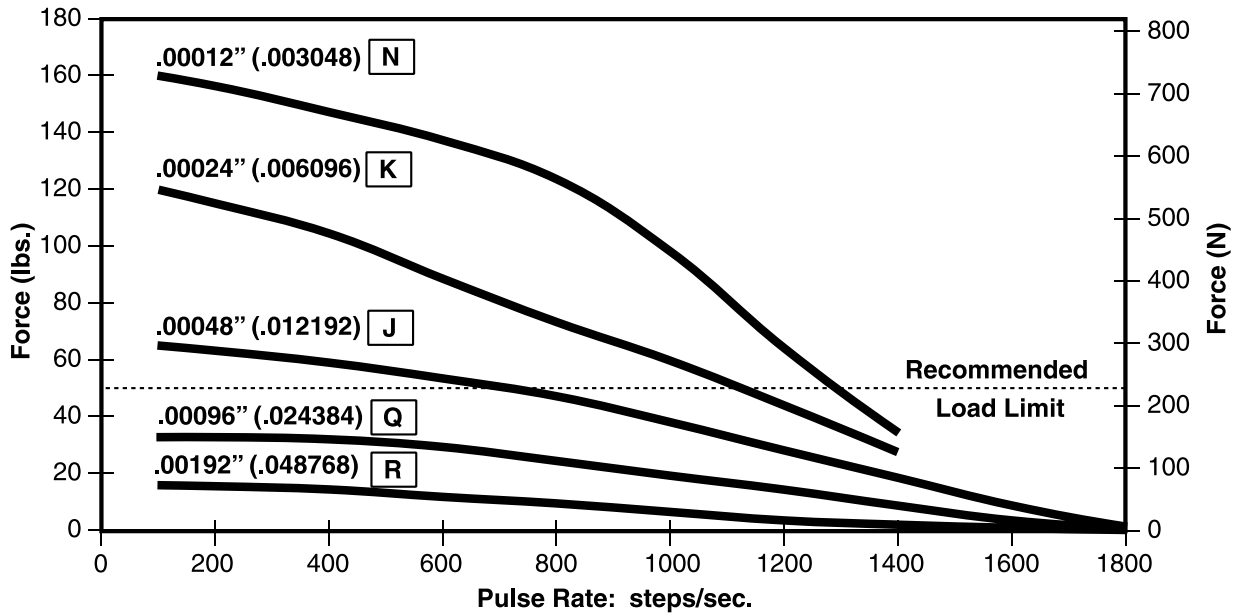
4X #4-40 UNC-2B (STANDARD INCH) OR 4X M3 x 0.5-6g (STANDARD METRIC) THREAD X 0.15 (3.8) DEEP (MUST BE SPECIFIED WHEN ORDERING)

Integrated connector option, see page 121

ELECTROMATE
Sales & Service
Toll Free Phone (877) SERV098
Toll Free Fax (877) SERV099
www.electromate.com
sales@electromate.com

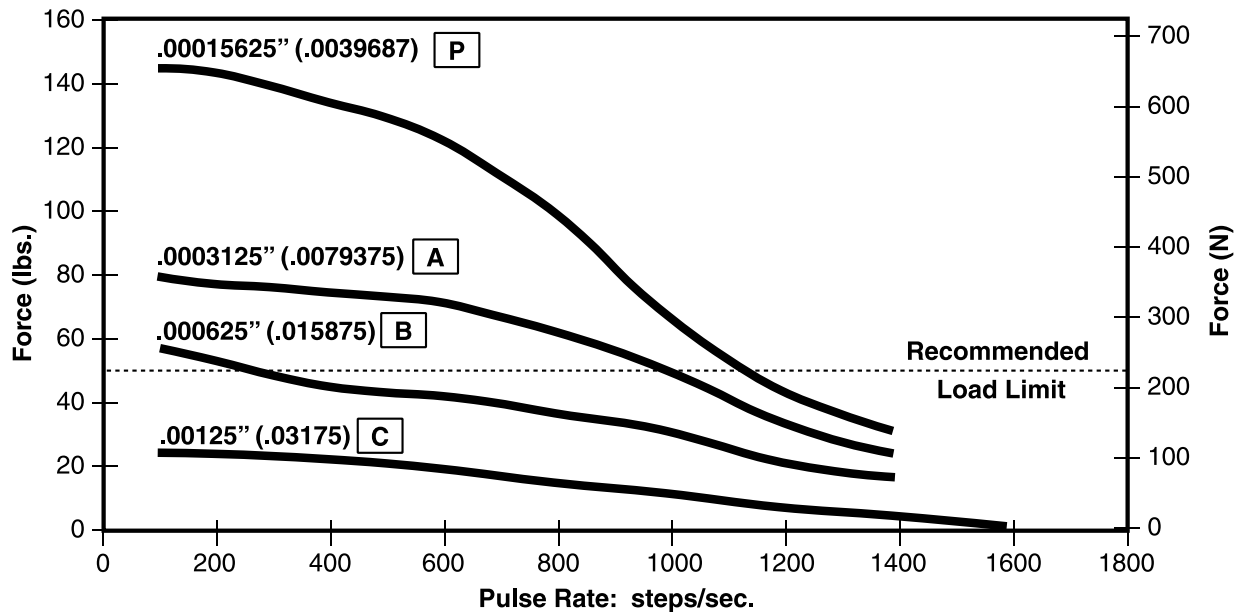
FORCE vs. PULSE RATE Bipolar • Chopper • 100% Duty Cycle

Ø .218 (5.54) Lead-screw



HYBRID LINEAR ACTUATOR
STEPPER MOTORS

Ø .250 (6.35) Lead-screw



NOTE: All chopper drive curves were created with a 5 volt motor and a 40 volt power supply.

Ramping can increase the performance of a motor either by increasing the top speed or getting a heavier load accelerated up to speed faster. Also, deceleration can be used to stop the motor without overshoot.

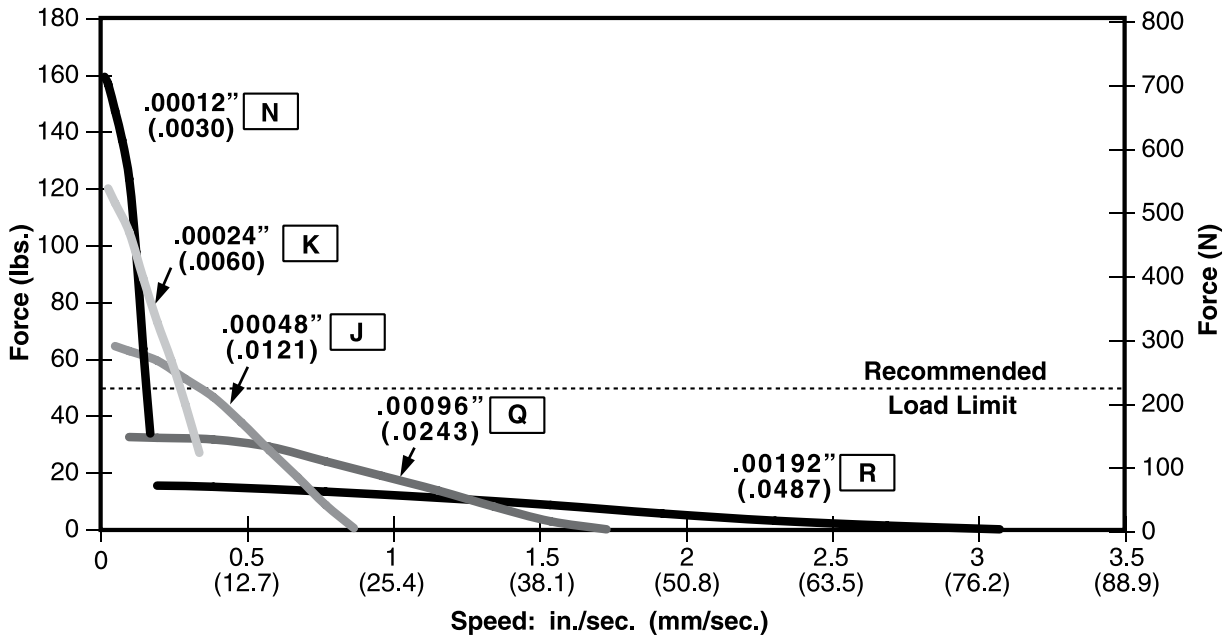
With L/R drives peak force and speeds are reduced, using a unipolar drive will yield a further 30% force reduction.

43000 Series: Size 17 Performance Curves

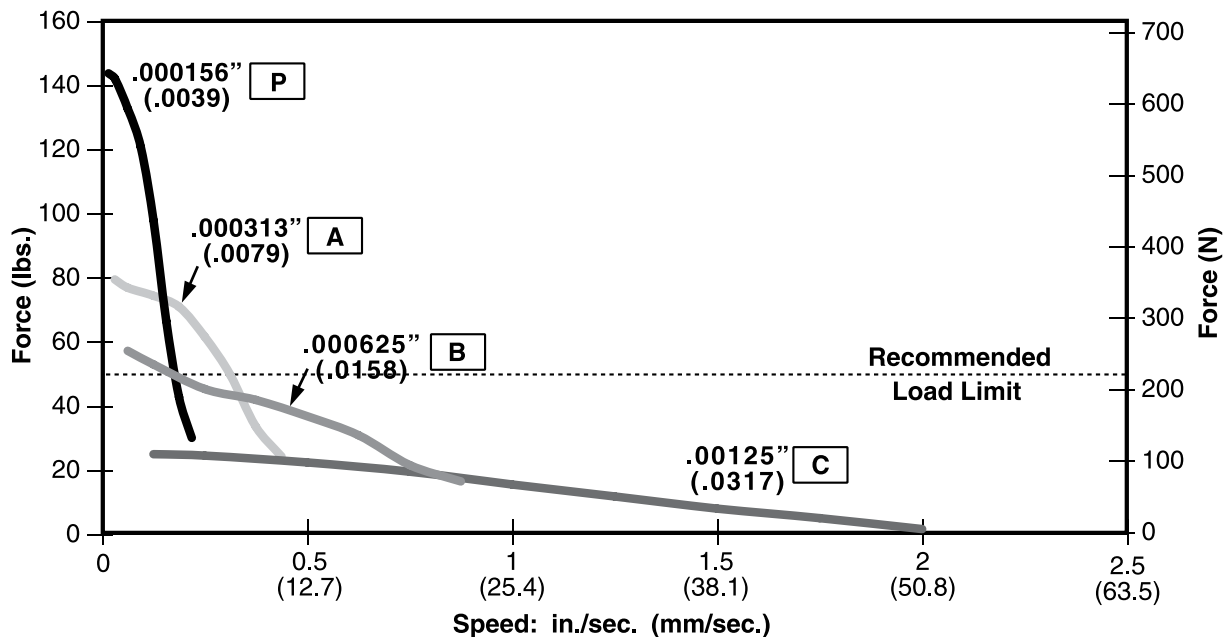
Haydon Kerk Motion Solutions, Inc. • www.HaydonKerk.com • Phone: 800.243.2715 • International: 203.756.7441

FORCE vs. LINEAR VELOCITY **Bipolar • Chopper • 100% Duty Cycle**

Ø .218 (5.54) Lead-screw



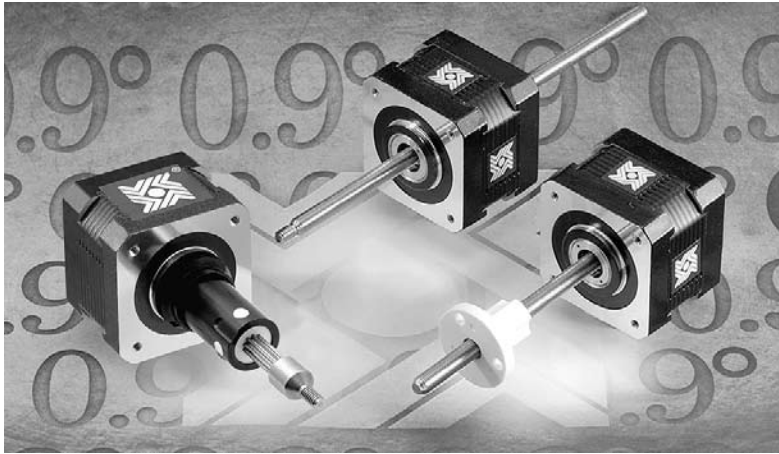
Ø .250 (6.35) Lead-screw



NOTE: All chopper drive curves were created with a 5 volt motor and a 40 volt power supply.

Ramping can increase the performance of a motor either by increasing the top speed or getting a heavier load accelerated up to speed faster. Also, deceleration can be used to stop the motor without overshoot.

With L/R drives peak force and speeds are reduced, using a unipolar drive will yield a further 30% force reduction.



Haydon™ 43000 Series Size 17, 0.9° high resolution hybrid motor has been specially engineered to deliver high speed, force and endurance.

The Size 17 High Resolution Actuator features a production-proven, patented rotor drive nut that delivers trouble-free, long-term performance.

Combined with a stainless steel lead-screw, the motor delivers an extremely smooth, precise motion.

Designed for applications that require long-life reliability, precise positioning and rapid motion.

HYBRID LINEAR ACTUATOR
STEPPER MOTORS

Salient Characteristics

Size 17: 43 mm (1.7-in) Hybrid Linear Actuator (0.9° Step Angle)					
Part No.	Captive	43K4(X)-V			43K6(X)-V
	Non-captive	43J4(X)-V			43J6(X)-V
	External Lin.	E43K4(X)-V			E43K6(X)-V
Wiring		Bipolar			Unipolar**
Winding voltage	2.33 VDC	5 VDC	12 VDC	5 VDC	12 VDC
Current/phase RMS	1.5 A	700 mA	290 mA	700 mA	290 mA
Resistance/phase	1.56 Ω	7.2 Ω	41.5 Ω	7.2 Ω	41.5 Ω
Inductance/phase	2.6 mH	12.0 mH	70.0 mH	6.0 mH	35.0 mH
Power consumption	7 W				
Rotor inertia	37 gcm ²				
Insulation Class	Class B (Class F available)				
Weight	8.5 oz (241 g)				
Insulation resistance	20 MΩ				

Linear Travel / Step					
Screw Ø		Order Code	Screw Ø		Order Code
.218" (5.54 mm)	inches	I.D.	.250" (6.35 mm)	inches	I.D.
.00006	.0015*	U	.000078*	.00198*	V
.00012	.0030*	N	.00015625	.0039*	P
.00024	.0060*	K	.0003125	.0079*	A
.00048	.0121*	J	.000625	.0158*	B
.00096	.0243*	Q			

*Values truncated

Special drive considerations may be necessary when leaving shaft fully extended or fully retracted.

** Unipolar drive gives approximately 30% less thrust than bipolar drive.

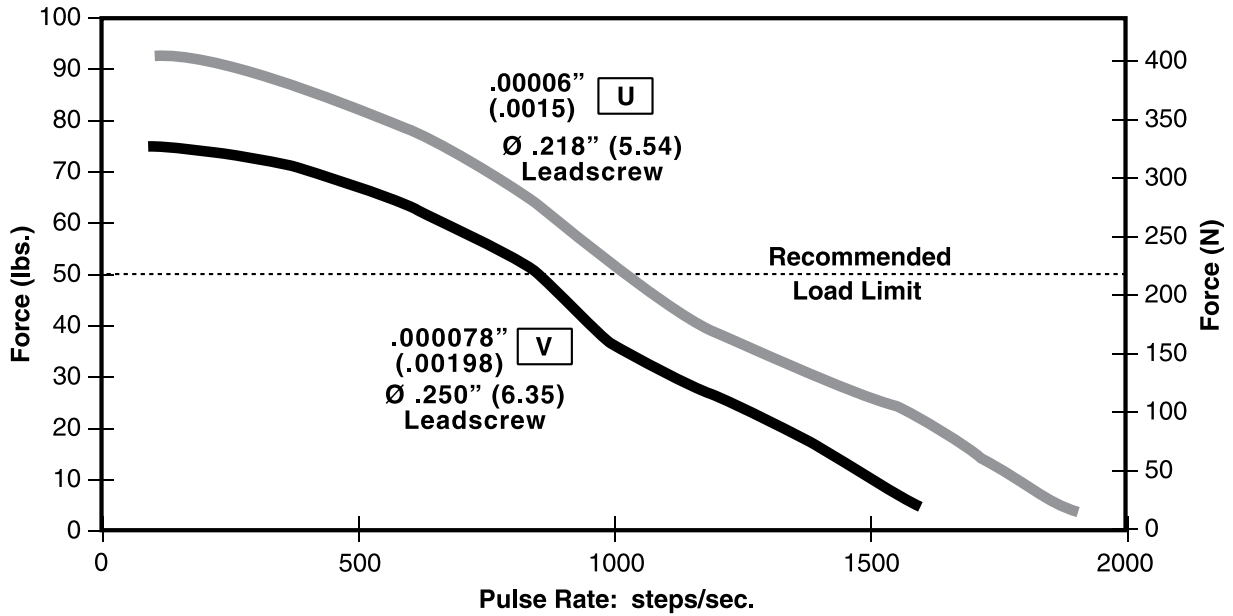
43000 Series: Size 17 High Resolution Linear Actuator Performance Curves



Haydon Kerk Motion Solutions, Inc. • www.HaydonKerk.com • Phone: 800.243.2715 • International: 203.756.7441

FORCE vs. PULSE RATE Bipolar • Chopper • 100% Duty Cycle

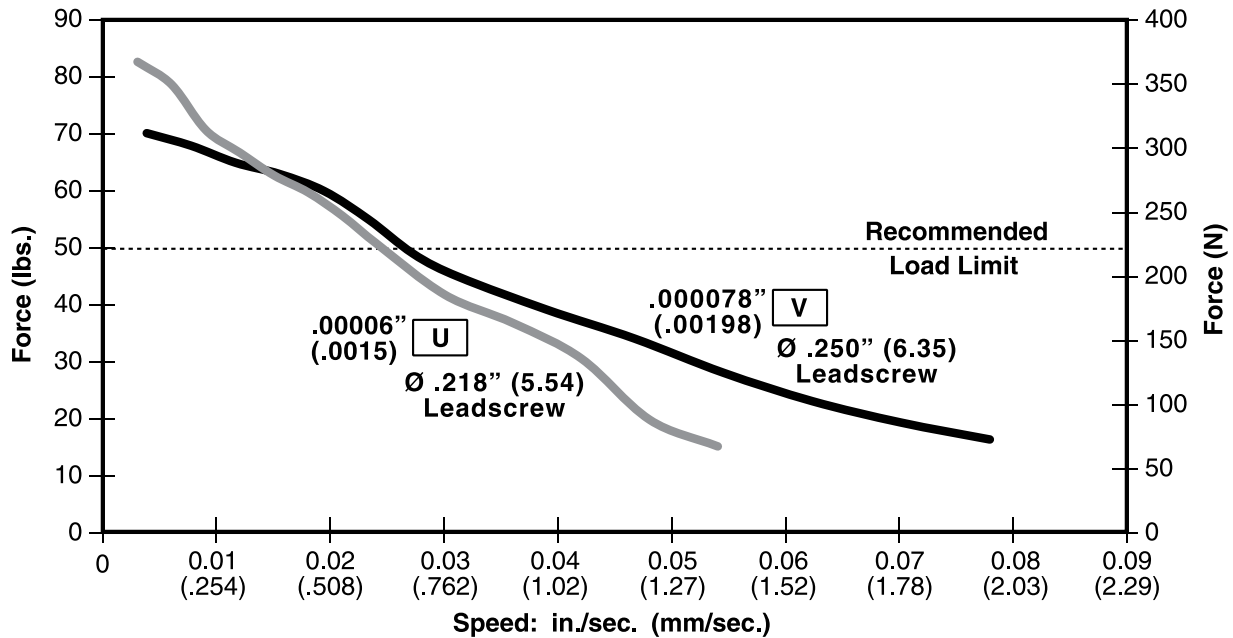
Ø .218 (5.54) and Ø .250 (6.35) Lead-screws



HYBRID LINEAR ACTUATOR
STEPPER MOTORS

FORCE vs. LINEAR VELOCITY Bipolar • Chopper • 100% Duty Cycle

Ø .218 (5.54) and Ø .250 (6.35) Lead-screws

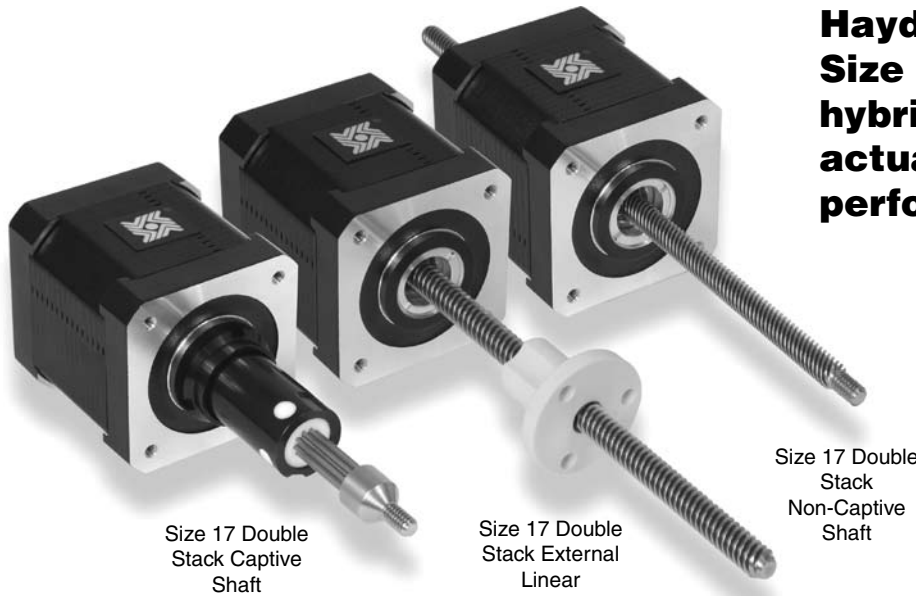


NOTE: All chopper drive curves were created with a 5 volt motor and a 40 volt power supply.

Ramping can increase the performance of a motor either by increasing the top speed or getting a heavier load accelerated up to speed faster. Also, deceleration can be used to stop the motor without overshoot.

With L/R drives peak force and speeds are reduced, using a unipolar drive will yield a further 30% force reduction.

Sold & Serviced By:
ELECTROMATE
 Toll Free Phone (877) SERV098
 Toll Free Fax (877) SERV099
 www.electromate.com
 sales@electromate.com



Size 17 Double Stack Captive Shaft

Size 17 Double Stack External Linear

Size 17 Double Stack Non-Captive Shaft

Haydon™ 43000 Series Size 17 Double Stack hybrid linear actuators offer greater performance.

The versatile designs deliver exceptional performance and new linear motion design opportunities.

Three designs are available, captive, non-captive and external linear versions. The 43000 Series is available in a wide variety of resolutions - from 0.000625-in (.0158 mm) per step to 0.005-in (.127 mm) per step. The motors can also be microstepped for even finer resolutions. The Size 17 Double Stack actuator delivers thrust of up to 75 lbs. (337 N).

HYBRID LINEAR ACTUATOR
STEPPER MOTORS

Salient Characteristics

Size 17: 43 mm (1.7-in) Double Stack Hybrid Linear Actuator (1.8° Step Angle)				
Part No.	Captive	43M4(X)-V		
	Non-captive	43L4(X)-V		
	External Lin.	E43M4(X)-V		
Wiring		Bipolar		
Winding voltage	2.33 VDC	5 VDC	12 VDC	
Current/phase	2.6 A	1.3 A	550 mA	
Resistance/phase	0.9 Ω	3.8 Ω	21.9 Ω	
Inductance/phase	1.33 mH	8.21 mH	45.1 mH	
Power consumption	10.4 W Total			
Insulation Class	Class B (Class F available)			
Weight	12.5 oz (352 g)			
Insulation resistance	20 MΩ			
Max. Load Limit	75 lbs (337 N)			

Linear Travel / Step Screw Ø.250" (6.35 mm)		Order Code I.D.
inches	mm	
.000625	.0158*	B
.00125	.0317*	C
.0025	.0635	Y
.00375	.0953	AG
.005	.127	Z

*Values truncated

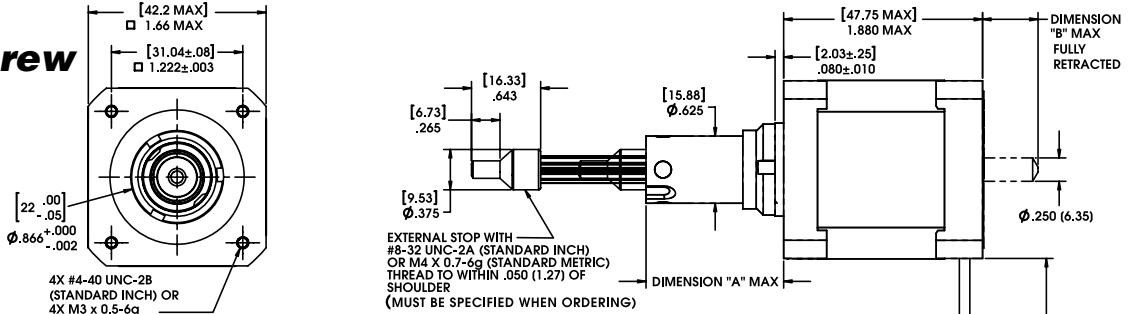
Standard motors are Class B rated for maximum temperature of 130°C.

Special drive considerations may be necessary when leaving shaft fully extended or fully retracted.

43000 Series: Size 17 Double Stack Dimensional Drawings

Haydon Kerk Motion Solutions, Inc. • www.HaydonKerk.com • Phone: 800.243.2715 • International: 203.756.7441

Captive Lead-screw

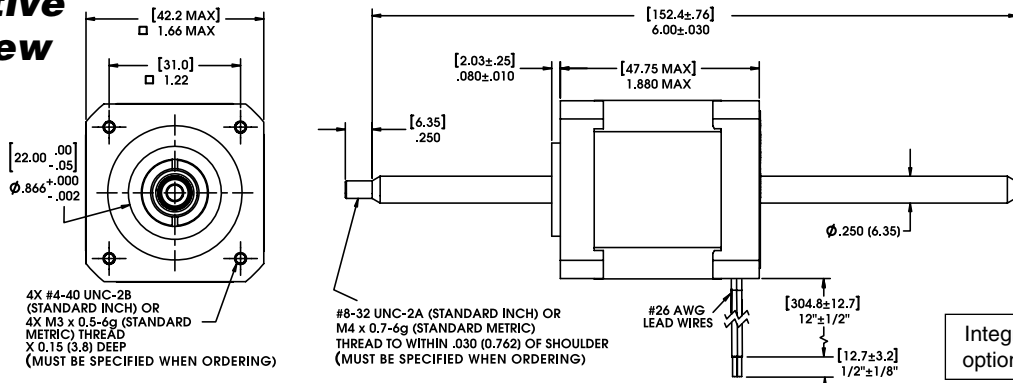


STROKE	DIM. "A"	DIM. "B"	SUFFIX #	M4x0.7 thread
0.500 (12.7)	0.78 (19.8)	0.02 (0.51)	-905	-805
0.750 (19.05)	1.03 (26.2)	0.27 (6.86)	-907	-807
1.00 (25.4)	1.28 (32.5)	0.52 (13.21)	-910	-810
1.250 (31.8)	1.53 (38.9)	0.77 (19.56)	-912	-812
1.500 (38.1)	1.78 (45.2)	1.02 (25.91)	-915	-815
2.00 (50.8)	2.28 (57.9)	1.52 (38.61)	-920	-820
2.500 (63.5)	2.78 (70.6)	2.02 (51.31)	-925	-825

Integrated connector option, see page 121

Non-Captive Lead-screw

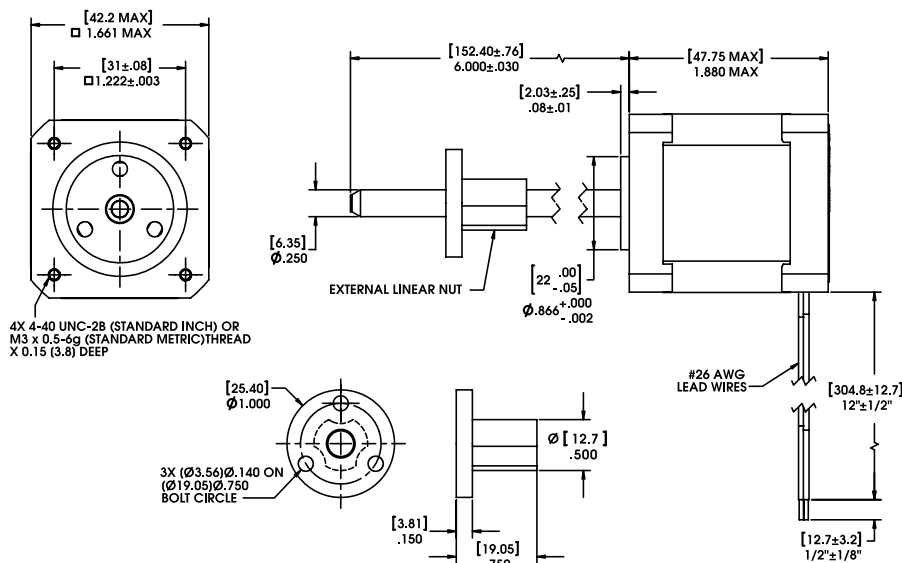
Up to 10-in (254 mm) standard screw lengths. Longer screw lengths are available.



Integrated connector option, see page 121

External Linear

Up to 10-in (254 mm) standard screw lengths. Longer screw lengths are available.



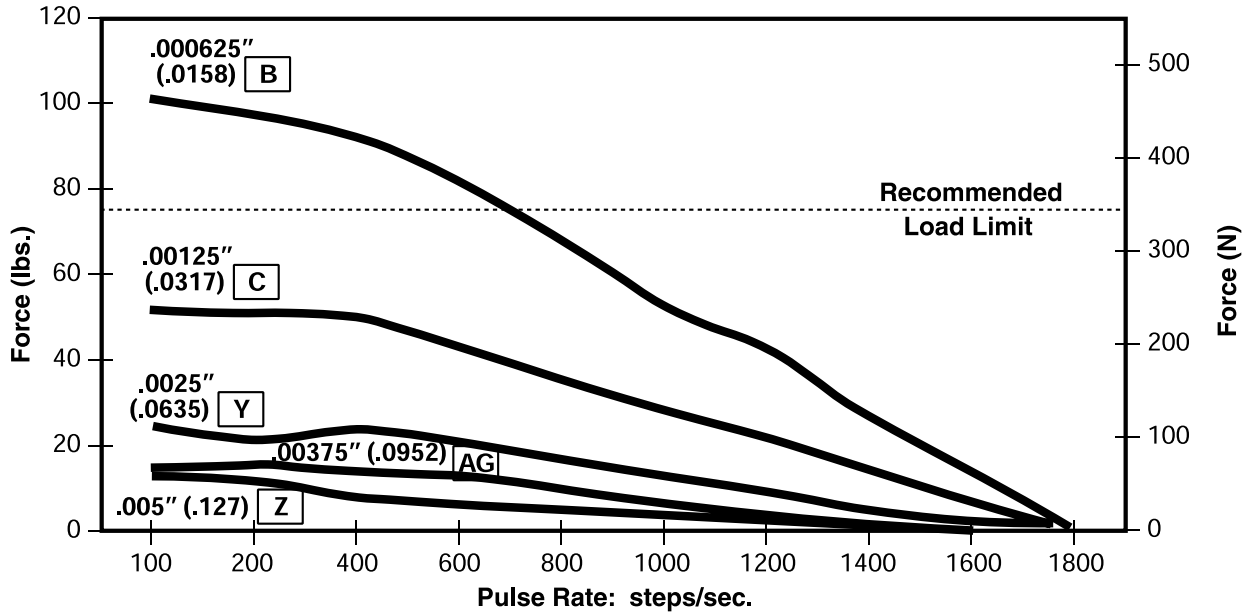
Integrated connector option, see page 121



Toll Free Phone (877) SERV098
Toll Free Fax (877) SERV099
www.electromate.com
sales@electromate.com

FORCE vs. PULSE RATE Bipolar • Chopper • 100% Duty Cycle

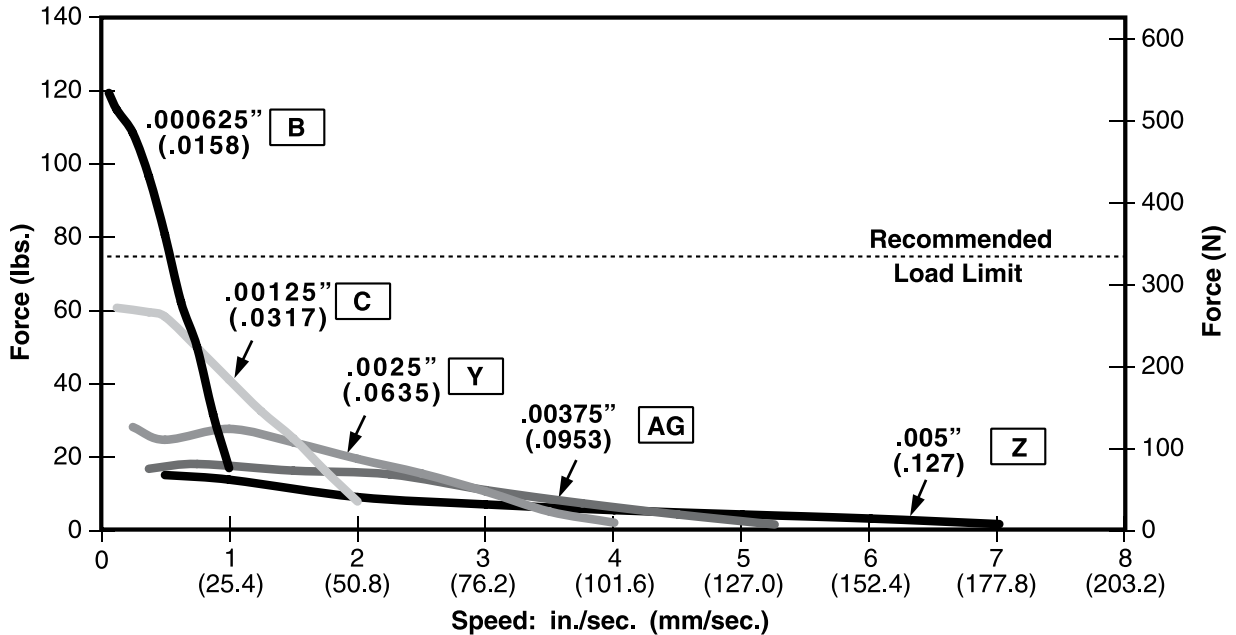
Ø .250 (6.35) Lead-screw



HYBRID LINEAR ACTUATOR
STEPPER MOTORS

FORCE vs. LINEAR VELOCITY Bipolar • Chopper • 100% Duty Cycle

Ø .250 (6.35) Lead-screw



NOTE: All chopper drive curves were created with a 5 volt motor and a 40 volt power supply.

Ramping can increase the performance of a motor either by increasing the top speed or getting a heavier load accelerated up to speed faster. Also, deceleration can be used to stop the motor without overshoot.

With L/R drives peak force and speeds are reduced, using a unipolar drive will yield a further 30% force reduction.

Haydon™ 43000 Series Size 17 Hybrid Linear Actuators with integrated IDEA™ Drive - high performance in a compact package

The **43000 Series Single Stack actuator** is available in a wide variety of resolutions – from 0.00006-in (.001524 mm) per step to 0.00192-in (.048768mm) per step. Delivers output force of up to 50 lbs (220N), or speeds exceeding 3 inches (7.62 cm) per second. For Size 17 hybrid Single Stack motor / performance specifications see pages 97 through 100.

The **43000 Series Double Stack actuator** is available in a wide variety of resolutions – from 0.000625-in (.0158 mm) per step to 0.005-in (.127 mm) per step. Delivers output force of up to 75 lbs (337N). For Size 17 hybrid Double Stack motor / performance specifications see pages 103 through 105.

Programmable 43000 Series with IDEA™ Drive Features:

- Fully Programmable
- RoHS Compliant
- USB or RS-485 Communication
- Microstepping Capability - Full, 1/2, 1/4, 1/8, 1/16, 1/32, 1/64
- Graphic User Interface
- Auto-population of Drive Parameters
- Programmable Acceleration/Deceleration and Current Control

Note: See page 206 for more information on the IDEA™ Drive



HYBRID LINEAR ACTUATOR
STEPPER MOTORS

Single Stack Salient Characteristics

Size 17: 43 mm (1.7-in) Hybrid Linear Actuator (1.8° Step Angle)	
Captive	43HG(X)-V
Non-captive	43FG(X)-V
External Lin.	E43HG(X)-V
Wiring	Bipolar
Winding voltage	2.33 VDC**

Linear Travel / Step					
Screw Ø		Order Code	Screw Ø		Order Code
.218" (5.54 mm)	inches	I.D.	.250" (6.35 mm)	inches	I.D.
.00012	.0030*	N	.00015625	.0039*	P
.00024	.0060*	K	.0003125	.0079*	A
.00048	.0121*	J	.000625	.0158*	B
.00096	.0243*	Q	.00125	.0317*	C
.00192	.0487*	R			

Double Stack Salient Characteristics

Size 17: 43 mm (1.7-in) Hybrid Linear Actuator (1.8° Step Angle)	
Captive	43MG(X)-V
Non-captive	43LG(X)-V
External Lin.	E43MG(X)-V
Wiring	Bipolar
Winding voltage	2.33 VDC**

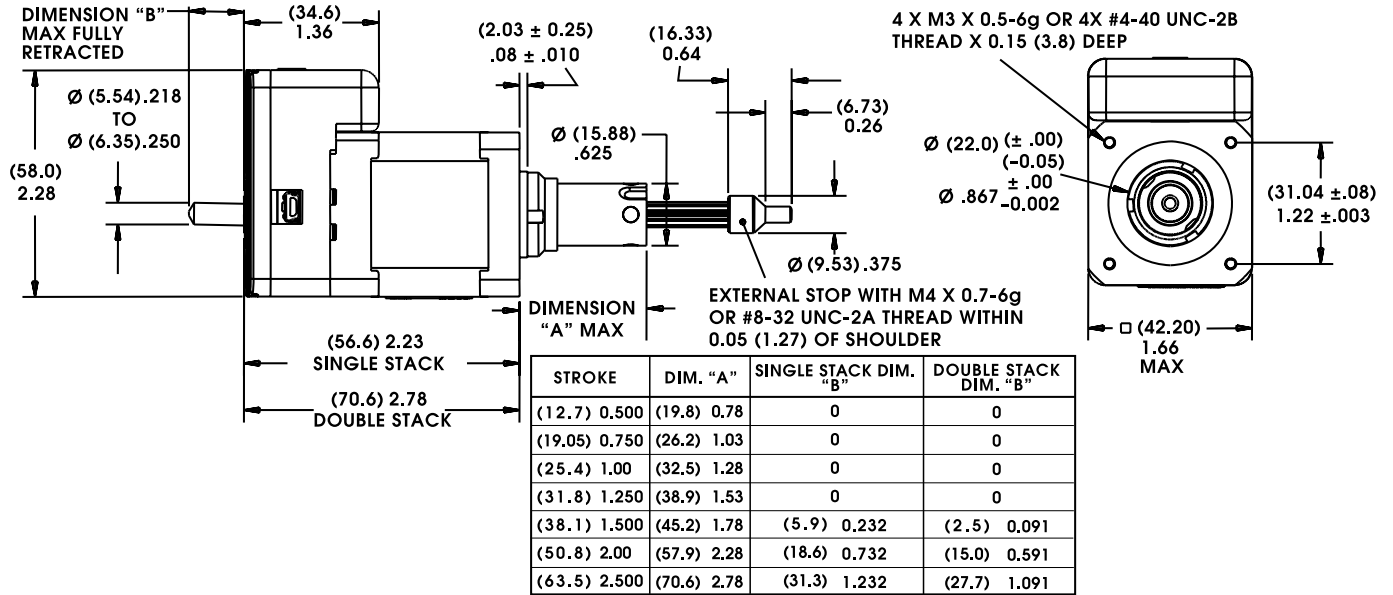
Linear Travel / Step		
Screw Ø		Order Code
.250" (6.35 mm)	inches	I.D.
.000625	.0158*	B
.00125	.0317*	C
.0025	.0635*	Y
.00375	.0953*	AG
.005	.127*	Z

*Values truncated

**Contact Haydon Kerk if a higher voltage motor is desired.

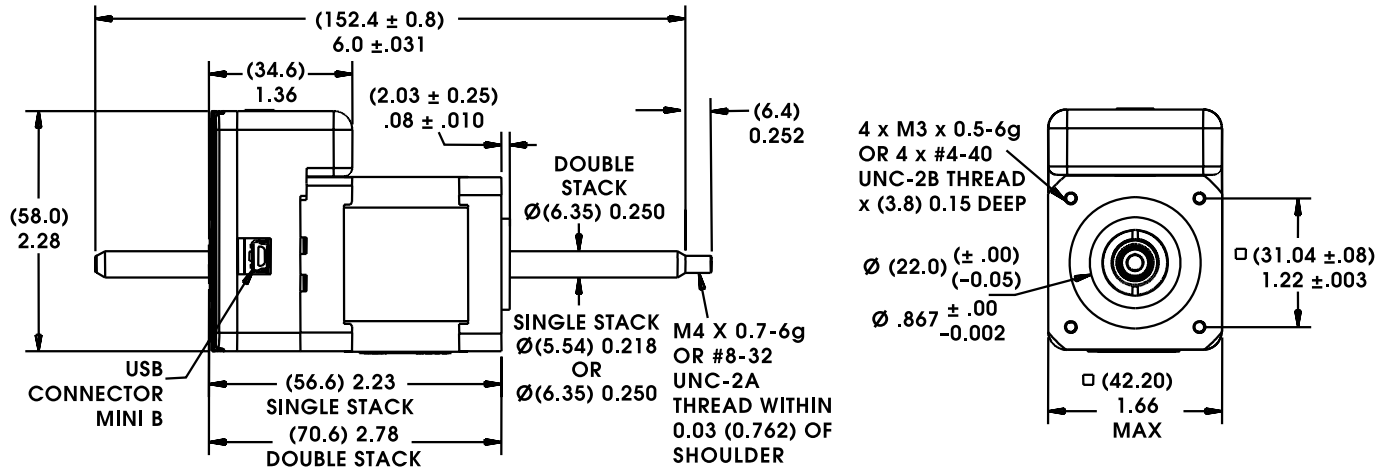
Special drive considerations may be necessary when leaving shaft fully extended or fully retracted.

Captive Lead-screw

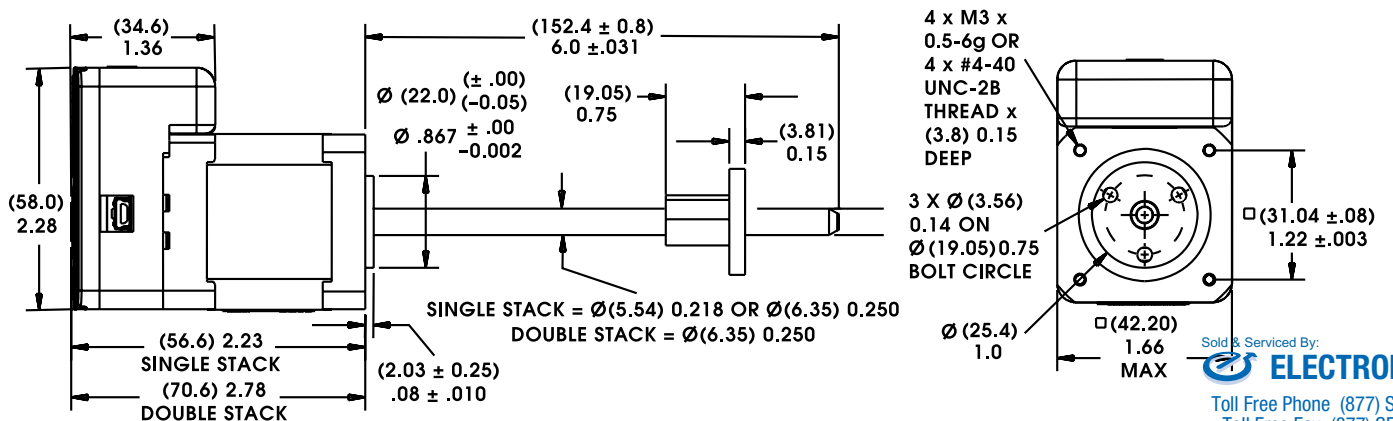


HYBRID LINEAR ACTUATOR STEPPER MOTORS

Non-Captive Lead-screw Up to 10-in (254 mm) standard screw lengths. Longer screw lengths are available.



External Linear Up to 10-in (254 mm) standard screw lengths. Longer screw lengths are available.



Sold & Serviced By: **ELECTROMATE**

Toll Free Phone (877) SERV098
Toll Free Fax (877) SERV099
www.electromate.com
sales@electromate.com

57000 Series: Size 23 Linear Actuator



Haydon Kerk Motion Solutions, Inc. • www.HaydonKerk.com • Phone: 800.243.2715 • International: 203.756.7441

Haydon™ Size 23 Hybrids... for applications that require forces up to 200 lbs. (890 N)

The Haydon™ Size 23 incorporates the same high performance and durable design as the Size 17.

The 57000 Series Hybrid Linear Actuator is available in a wide variety of resolutions - from 0.0003125-in. (.0079375 mm) per step to 0.002-in. (.0508 mm) per step. They deliver a thrust of up to 200 lbs. (890 N) or speeds exceeding 2.0-in. (5.08 cm) per second.



Size 23
External Linear



Size 23
Non-Captive
Shaft



Size 23 Captive
Shaft

HYBRID LINEAR ACTUATOR
STEPPER MOTORS

Salient Characteristics

Size 23: 57 mm (2.3-in) Hybrid Linear Actuator (1.8° Step Angle)						
Part No.	Captive	57H4(X)-V			57H6(X)-V	
	Non-captive	57F4(X)-V			57F6(X)-V	
	External Lin.	E57H4(X)-V			E57H6(X)-V	
Wiring		Bipolar			Unipolar**	
Winding voltage		3.25 VDC	5 VDC	12 VDC	5 VDC	12 VDC
Current/phase		2.0 A	1.3 A	.54 A	1.3 A	.54 A
Resistance/phase		1.63 Ω	3.85 Ω	22.2 Ω	3.85 Ω	22.2 Ω
Inductance/phase		3.5 mH	10.5 mH	58 mH	5.3 mH	23.6 mH
Power consumption	13 W					
Rotor inertia	166 gcm ²					
Insulation Class	Class B (Class F available)					
Weight	18 oz (511 g)					
Insulation resistance	20 MΩ					

Linear Travel / Step		Order Code I.D.
Screw Ø.375" (9.53 mm)		
inches	mm	
.0003125	.0079*	A
.0004167	.0105*	S
.0005	.0127	3
.0008333	.0211*	T
.001	.0254	1
.002	.0508	2

*Values truncated

Standard motors are Class B rated for maximum temperature of 130°C.

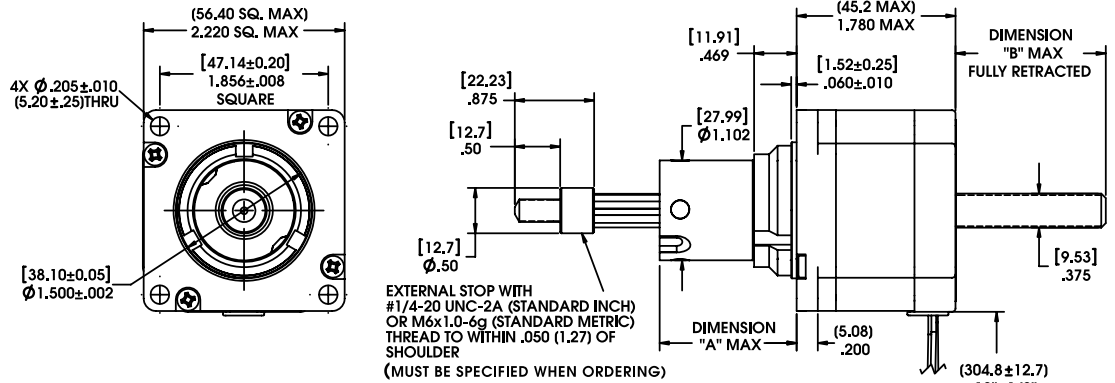
Special drive considerations may be necessary when leaving shaft fully extended or fully retracted.

** Unipolar drive gives approximately 30% less thrust than bipolar drive.

Sold & Serviced By:

 Toll Free Phone (877) SERV098
 Toll Free Fax (877) SERV099
 www.electromate.com
 sales@electromate.com

Captive Lead-screw



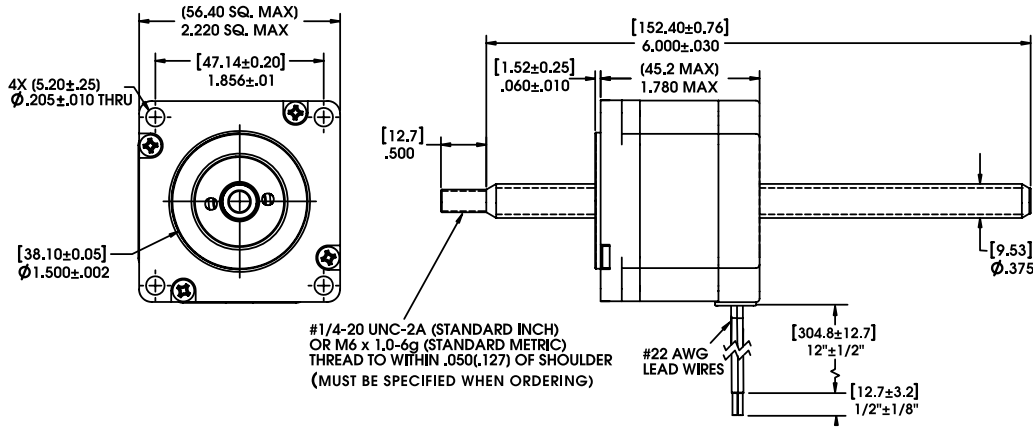
EXTERNAL STOP WITH #1/4-20 UNC-2A (STANDARD INCH) OR M6x1.0-6g (STANDARD METRIC) THREAD TO WITHIN .050 (1.27) OF SHOULDER (MUST BE SPECIFIED WHEN ORDERING)

STROKE	DIM. A	DIM. B	SUFFIX #	M4x0.7 thread
0.500 (12.7)	1.01 (25.7)	0.06 (1.5)	— 905	— 805
0.750 (19.05)	1.26 (32.0)	0.31 (7.9)	— 907	— 807
1.00 (25.4)	1.51 (38.4)	0.56 (14.2)	— 910	— 810
1.250 (31.8)	1.76 (44.7)	0.81 (20.6)	— 912	— 812
1.500 (38.1)	2.01 (51.1)	1.06 (26.9)	— 915	— 815
2.00 (50.8)	2.51 (63.8)	1.56 (39.6)	— 920	— 820
2.500 (63.5)	3.01 (76.5)	2.06 (52.3)	— 925	— 825

HYBRID LINEAR ACTUATOR STEPPER MOTORS

Non-Captive Lead-screw

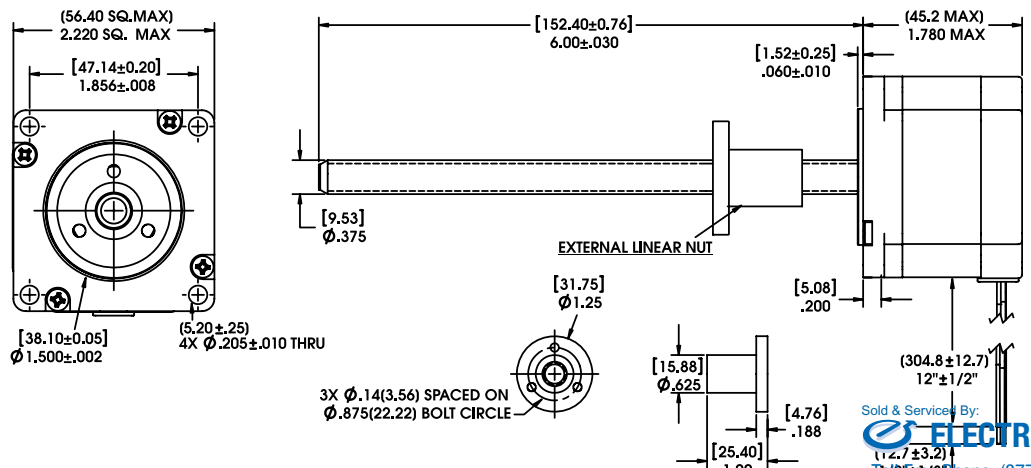
Up to 18-in (457 mm) standard screw lengths. Longer screw lengths are available.



#1/4-20 UNC-2A (STANDARD INCH) OR M6 x 1.0-6g (STANDARD METRIC) THREAD TO WITHIN .050(1.27) OF SHOULDER (MUST BE SPECIFIED WHEN ORDERING)

External Linear

Up to 12-in (305 mm) standard screw lengths. Longer screw lengths are available.



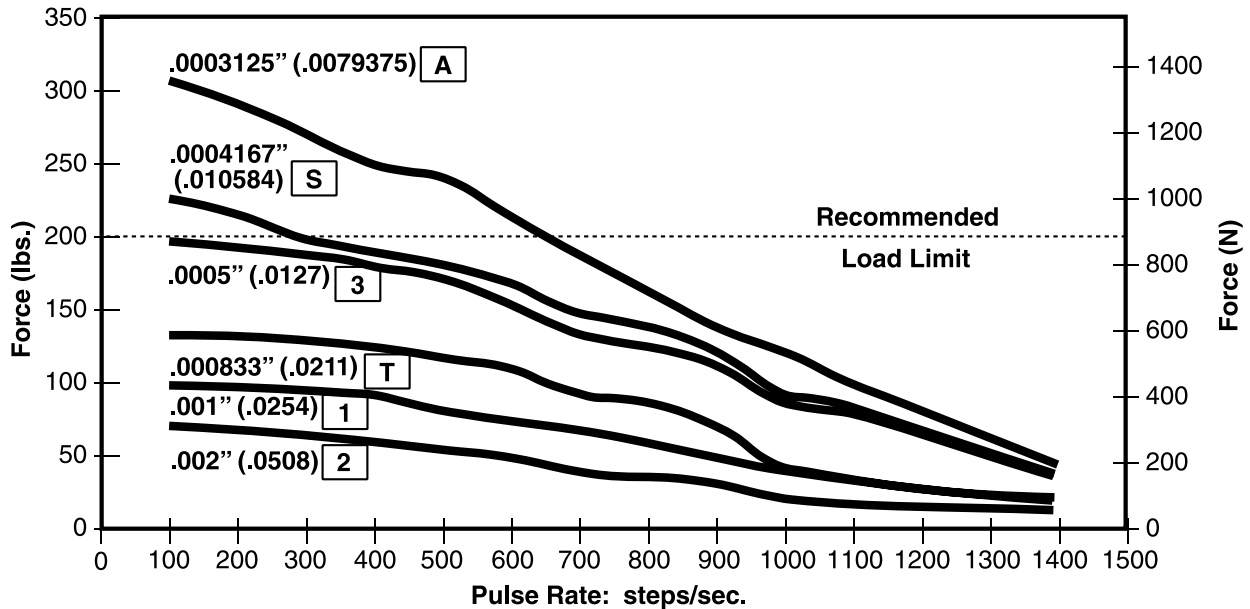
Sold & Service By:
ELECTROMATE
Toll Free Phone (877) SERV098
Toll Free Fax (877) SERV099
www.electromate.com
sales@electromate.com

57000 Series: Size 23 Performance Curves

Haydon Kerk Motion Solutions, Inc. • www.HaydonKerk.com • Phone: 800.243.2715 • International: 203.756.7441

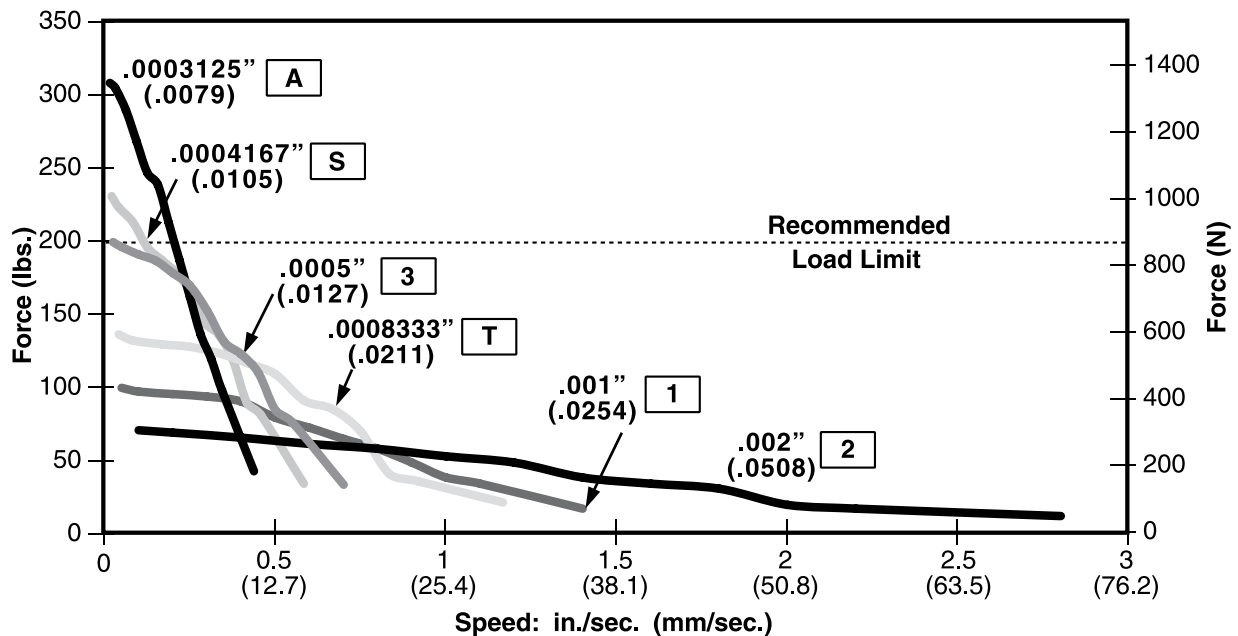
FORCE vs. PULSE RATE Bipolar • Chopper • 100% Duty Cycle

Ø .375 (9.53) Lead-screw



FORCE vs. LINEAR VELOCITY Bipolar • Chopper • 100% Duty Cycle

Ø .375 (9.53) Lead-screw



NOTE: All chopper drive curves were created with a 5 volt motor and a 75 volt power supply.

Ramping can increase the performance of a motor either by increasing the top speed or getting a heavier load accelerated up to speed faster. Also, deceleration can be used to stop the motor without overshoot.

With L/R drives peak force and speeds are reduced, using a unipolar drive will yield a further 30% force reduction.



A full linear step movement as low as 2 microns and a thrust capability up to 200 lbs (890 N)

The Haydon™ 57000 Series Size 23, 0.9° high resolution (standard resolution = 1.8°) hybrid offers precise motion with excellent motion control. Combined with a stainless steel lead-screw and a production-proven, patented rotor drive nut this motor is designed for trouble-free, long-term performance. Adaptable to customer specifications.

HYBRID LINEAR ACTUATOR
STEPPER MOTORS

Salient Characteristics

Size 23: 57 mm (2.3-in) Hybrid Linear Actuator (0.9° Step Angle)					
Part No.	Captive	57K4(X)-V			57K6(X)-V
	Non-captive	57J4(X)-V			57J6(X)-V
	External Lin.	E57K4(X)-V			E57K6(X)-V
Wiring		Bipolar			Unipolar**
Winding voltage	3.25 VDC	5 VDC	12 VDC	5 VDC	12 VDC
Current/phase	2.0 A	1.3 A	0.54 A	1.3 A	0.54 A
Resistance/phase	1.63 Ω	3.85 Ω	22.2 Ω	3.85 Ω	22.2 Ω
Inductance/phase	4.2 mH	13 mH	68 mH	6 mH	27 mH
Power consumption	13 W				
Rotor inertia	37 gcm ²				
Insulation Class	Class B (Class F available)				
Weight	18 oz (511 g)				
Insulation resistance	20 MΩ				

Linear Travel / Step		Order Code I.D.
Screw Ø.375" (9.53 mm)	inches mm	
.000125	.0031*	7
.00015625	.003969	P
.00020833	.00529166	X
.00025	.00635	9
.0004167	.01058418	S
.0005	.0127	3
.001	.0254	1

*Values truncated

Special drive considerations may be necessary when leaving shaft fully extended or fully retracted.

** Unipolar drive gives approximately 30% less thrust than bipolar drive.

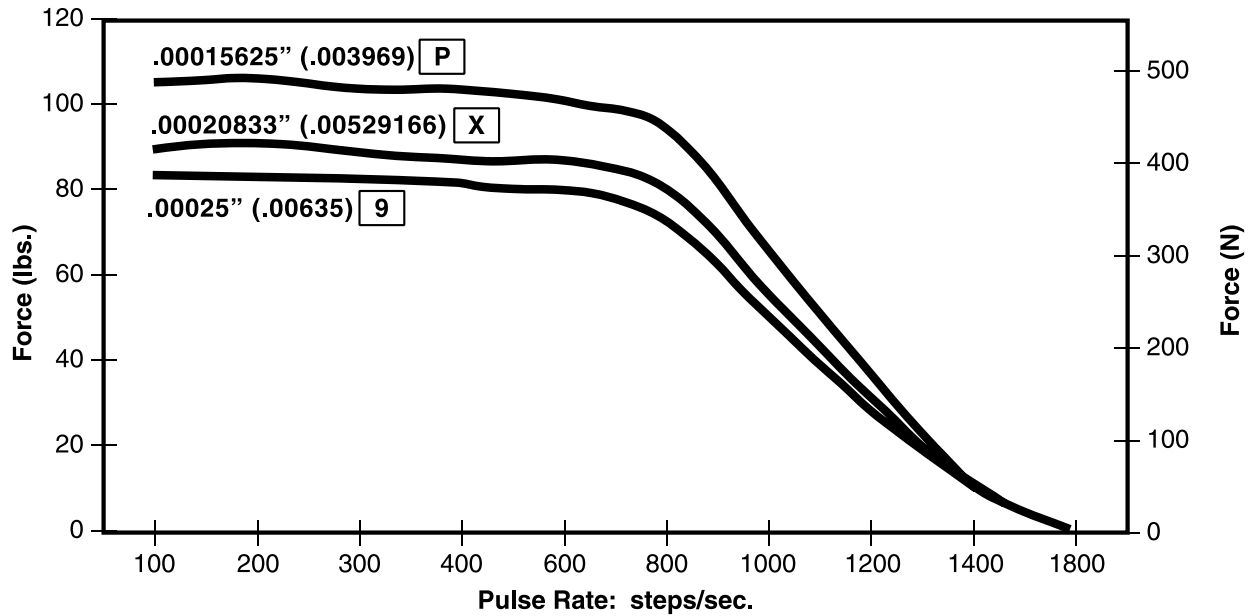
57000 Series: Size 23 High Resolution Linear Actuator Performance Curves



Haydon Kerk Motion Solutions, Inc. • www.HaydonKerk.com • Phone: 800.243.2715 • International: 203.756.7441

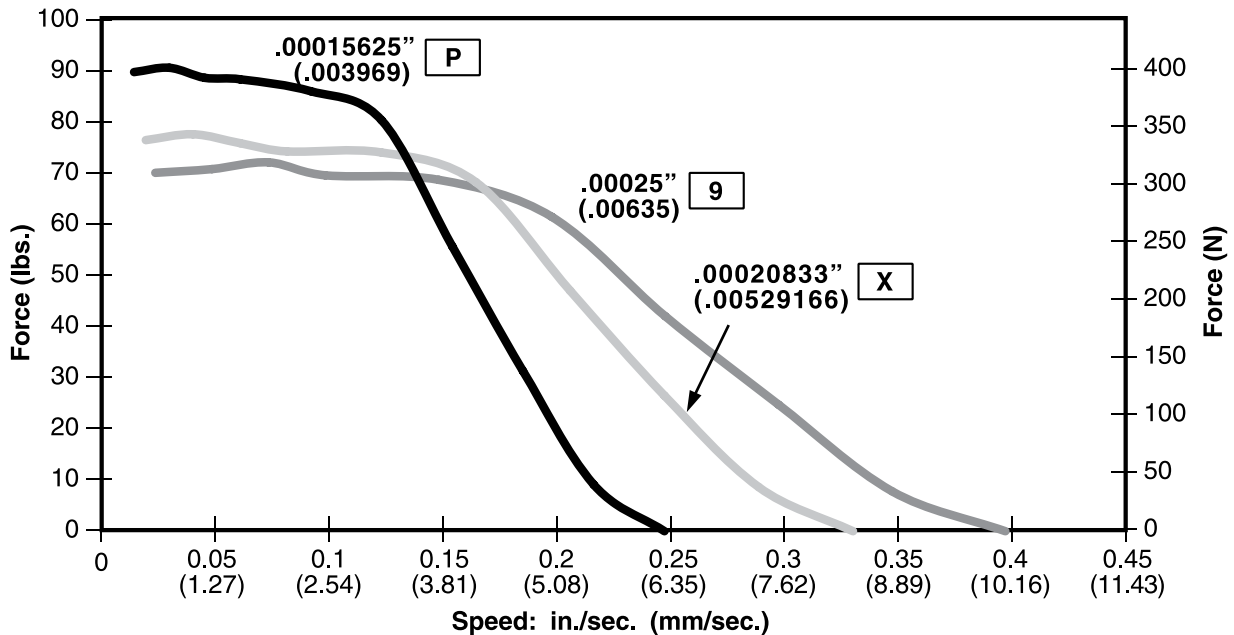
FORCE vs. PULSE RATE Bipolar • Chopper • 100% Duty Cycle

Ø .375 (9.53) Lead-screw



FORCE vs. LINEAR VELOCITY Bipolar • Chopper • 100% Duty Cycle

Ø .375 (9.53) Lead-screw



NOTE: All chopper drive curves were created with a 5 volt motor and a 75 volt power supply.

Ramping can increase the performance of a motor either by increasing the top speed or getting a heavier load accelerated up to speed faster. Also, deceleration can be used to stop the motor without overshoot.

With L/R drives peak force and speeds are reduced, using a unipolar drive will yield a further 30% force reduction.

Sold & Serviced By:

 Toll Free Phone (877) SERV098
 Toll Free Fax (877) SERV099
 www.electromate.com
 sales@electromate.com

Haydon™ 57000 Series Size 23 Double Stack hybrid linear actuators deliver greater performance in a compact size.

The various patented designs deliver exceptional performance and new linear motion design opportunities. Three designs are available, captive, non-captive and external linear versions. The 57000 Series is available in a wide variety of resolutions - from 0.0005-in (.0127 mm) per step to 0.005-in (.127 mm) per step. The motors can also be microstepped for even finer resolutions. The Size 23 actuator delivers thrust of up to 200 lbs. (890 N).



HYBRID LINEAR ACTUATOR
STEPPER MOTORS

Salient Characteristics

Size 23: 57 mm (2.3-in) Double Stack Hybrid Linear Actuator (1.8° Step Angle)			
Part No.	Captive	57M4(X)-V	
	Non-captive	57L4(X)-V	
	External Lin.	E57M4(X)-V	
Wiring		Bipolar	
Winding voltage	3.25 VDC	5 VDC	12 VDC
Current/phase	3.85 A	2.5 A	1 A
Resistance/phase	0.8 Ω	2.0 Ω	12.0 Ω
Inductance/phase	2.3 mH	7.6 mH	35.0 mH
Power consumption	25 W Total		
Insulation Class	Class B (Class F available)		
Weight	32 oz (958 g)		
Insulation resistance	20 MΩ		
Max. Load Limit	200 lbs (890 N)		

Linear Travel / Step		Order Code I.D.
Screw Ø.375" (9.53 mm) inches	mm	
.0005	.0127	3
.001	.0254	1
.002	.0508	2
.0025	.0635	Y
.005	.127	Z

*Values truncated

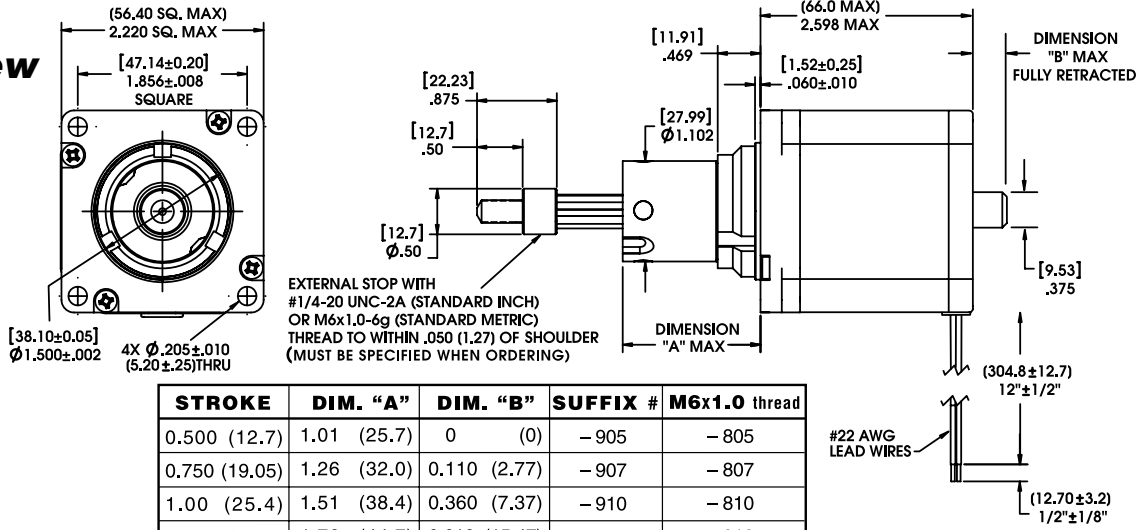
Standard motors are Class B rated for maximum temperature of 130°C.

Special drive considerations may be necessary when leaving shaft fully extended or fully retracted.

57000 Series: Size 23 Double Stack Dimensional Drawings

Haydon Kerk Motion Solutions, Inc. • www.HaydonKerk.com • Phone: 800.243.2715 • International: 203.756.7441

Captive Lead-screw

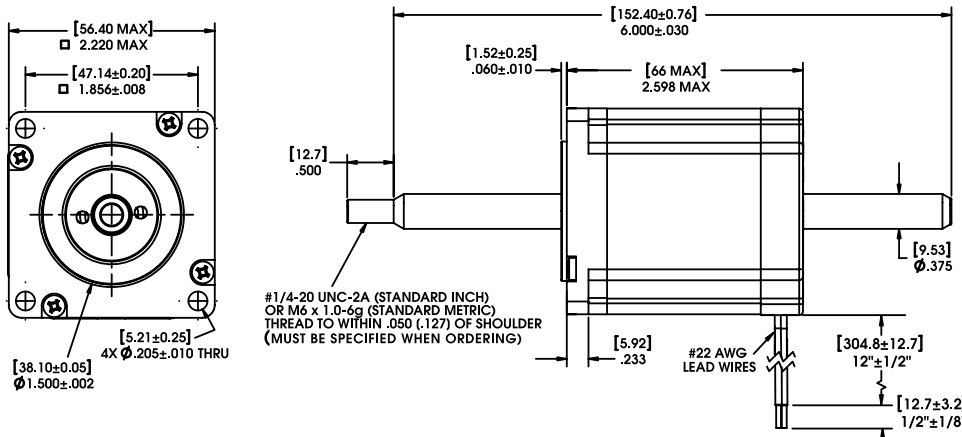


STROKE	DIM. "A"	DIM. "B"	SUFFIX #	M6x1.0 thread
0.500 (12.7)	1.01 (25.7)	0 (0)	-905	-805
0.750 (19.05)	1.26 (32.0)	0.110 (2.77)	-907	-807
1.00 (25.4)	1.51 (38.4)	0.360 (7.37)	-910	-810
1.250 (31.8)	1.76 (44.7)	0.610 (15.47)	-912	-812
1.500 (38.1)	2.01 (51.1)	0.860 (21.83)	-915	-815
2.00 (50.8)	2.51 (63.8)	1.360 (34.52)	-920	-820
2.500 (63.5)	3.01 (76.5)	1.860 (47.22)	-925	-825

HYBRID LINEAR ACTUATOR
STEPPER MOTORS

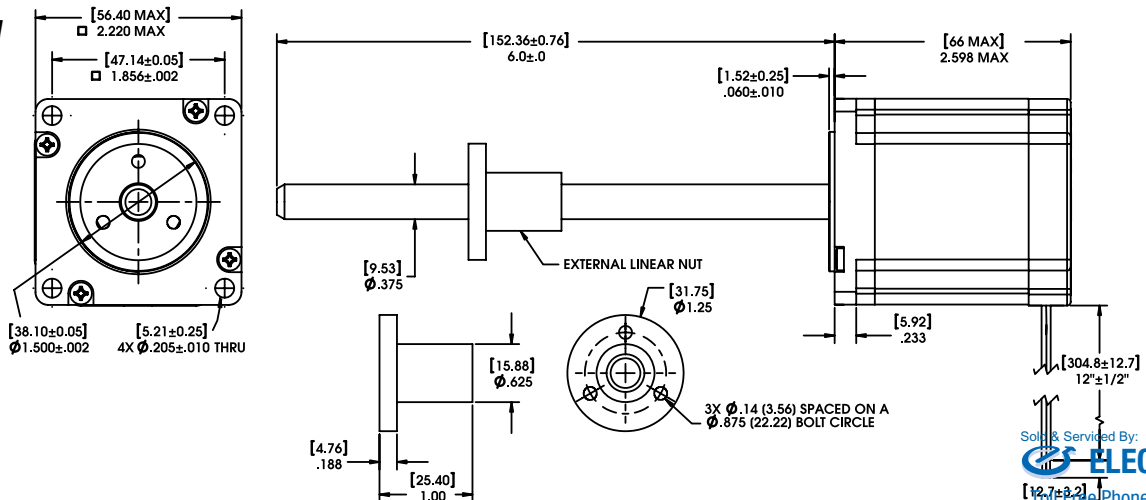
Non-Captive Lead-screw

Up to 18-in (457 mm) standard screw lengths. Longer screw lengths are available.



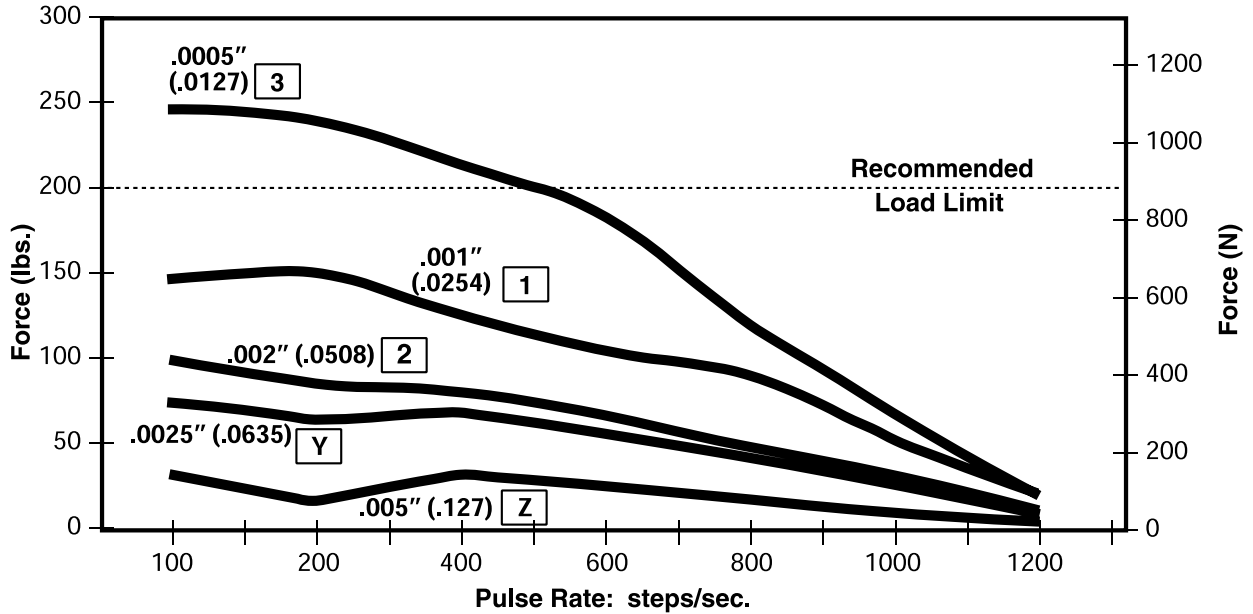
External Linear

Up to 12-in (305 mm) standard screw lengths. Longer screw lengths are available.



FORCE vs. PULSE RATE Bipolar • Chopper • 100% Duty Cycle

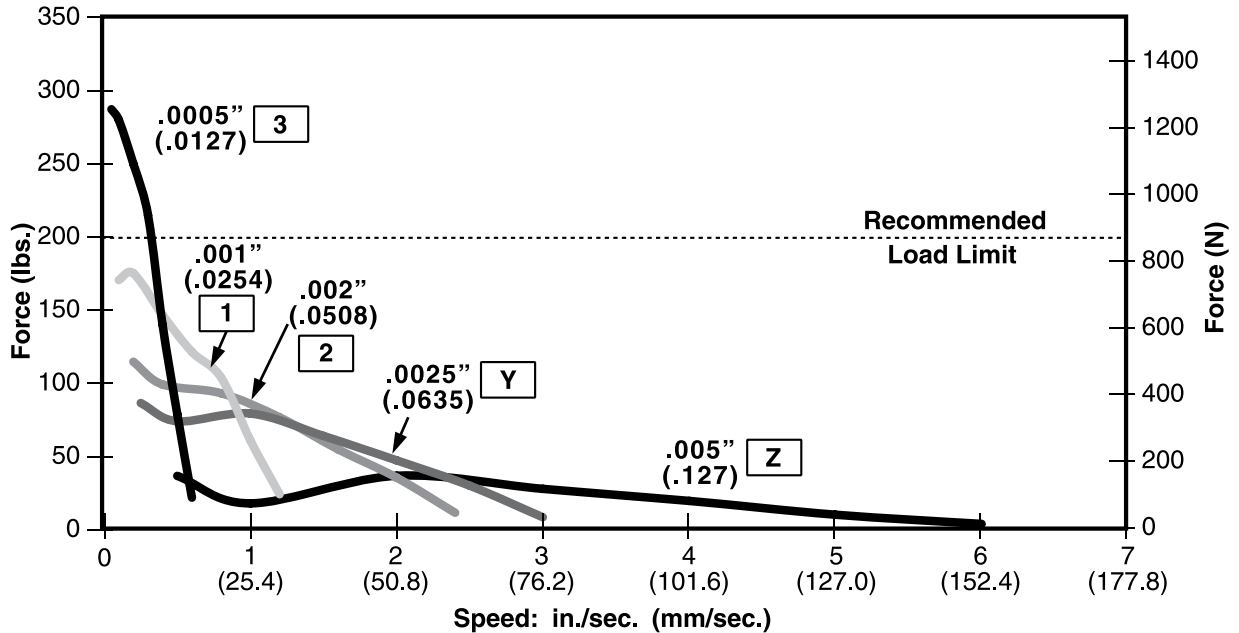
Ø .375 (9.53) Lead-screw



HYBRID LINEAR ACTUATOR
STEPPER MOTORS

FORCE vs. LINEAR VELOCITY Bipolar • Chopper • 100% Duty Cycle

Ø .375 (9.53) Lead-screw



NOTE: All chopper drive curves were created with a 5 volt motor and a 40 volt power supply.

Ramping can increase the performance of a motor either by increasing the top speed or getting a heavier load accelerated up to speed faster. Also, deceleration can be used to stop the motor without overshoot.

With L/R drives peak force and speeds are reduced, using a unipolar drive will yield a further 30% force reduction.

57000 Series: Size 23 IDEA™ Drive Linear Actuator



Haydon Kerk Motion Solutions, Inc. • www.HaydonKerk.com • Phone: 800.243.2715 • International: 203.756.7441

Haydon™ 57000 Series hybrid linear actuators with IDEA™ Drive – for applications requiring forces up to 200 lbs (890 N)

The **57000 Series Hybrid Linear Actuator Single Stack actuator** is available in a wide variety of resolutions – from 0.0003125-in (.0079375mm) per step to 0.002-in (.0508mm) per step. For Size 23 Hybrid Single Stack motor / performance specifications see pages 108 through 110.

The **57000 Series Double Stack actuator** delivers greater performance in a compact size with a wide variety of resolutions – from 0.0005-in (.0127mm) per step to 0.005-in (.127mm) per step and output force up to 200 lbs (890N). For Size 23 Hybrid Double Stack motor / performance specifications see pages 113 through 115.

Programmable 57000 Series with IDEA™ Drive Features:

- Fully Programmable
- RoHS Compliant
- USB Communication
- Microstepping Capability - Full, 1/2, 1/4, 1/8, 1/16, 1/32, 1/64
- Graphic User Interface
- Auto-population of Drive Parameters
- Programmable Acceleration/Deceleration and Current Control

Note: See page 206 for more information on the IDEA™ Drive

Size 23
Double Stack
IDEA Drive
Non-Captive Shaft.
Also available with
captive and external
linear lead-screws.



HYBRID LINEAR ACTUATOR
STEPPER MOTORS

Single Stack Salient Characteristics

Size 23: 57 mm (2.3-in) Hybrid Linear Actuator (1.8° Step Angle)		
Part No.	Captive	57HG(X)-V
	Non-captive	57FG(X)-V
	External Lin.	E57HG(X)-V
Wiring		Bipolar
Winding voltage		3.25 VDC**

Linear Travel / Step		Order Code I.D.
Screw Ø.375" (9.53 mm) inches	mm	
.0003125	.0079*	A
.0004167	.0105*	S
.0005	.0127	3
.0008333	.0211*	T
.001	.0254	1
.002	.0508	2

Double Stack Salient Characteristics

Size 23: 57 mm (2.3-in) Hybrid Linear Actuator (1.8° Step Angle)		
Part No.	Captive	57MG(X)-V
	Non-captive	57LG(X)-V
	External Lin.	E57MG(X)-V
Wiring		Bipolar
Winding voltage		3.25 VDC**

Linear Travel / Step		Order Code I.D.
Screw Ø.375" (9.53 mm) inches	mm	
.0005	.0127	3
.001	.0254	1
.002	.0508	2
.0025	.0635	Y
.005	.127	Z

*Values truncated

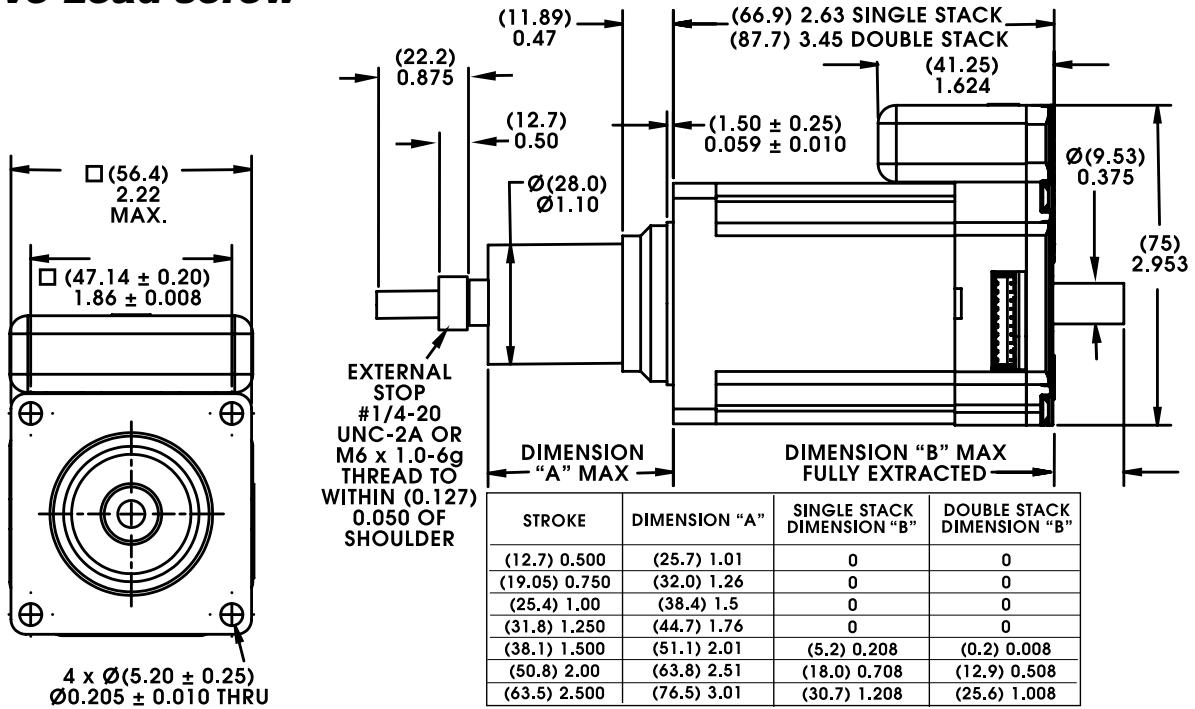
**Contact Haydon Kerk if a higher voltage motor is desired.



Toll Free Phone (877) SERV098
Toll Free Fax (877) SERV099
www.electromate.com
sales@electromate.com

Special drive considerations may be necessary when leaving shaft fully extended or fully retracted.

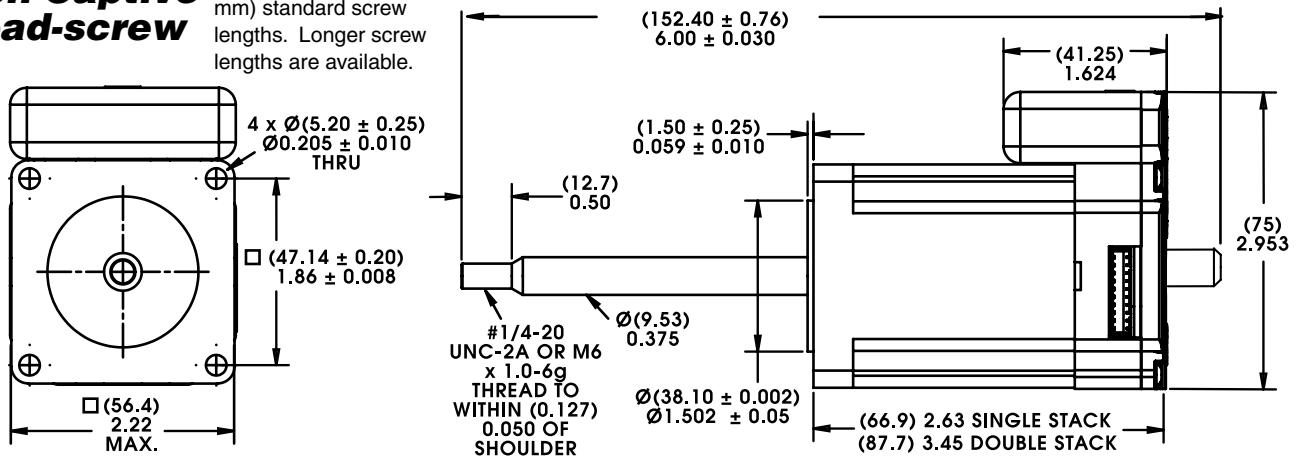
Captive Lead-screw



HYBRID LINEAR ACTUATOR
STEPPER MOTORS

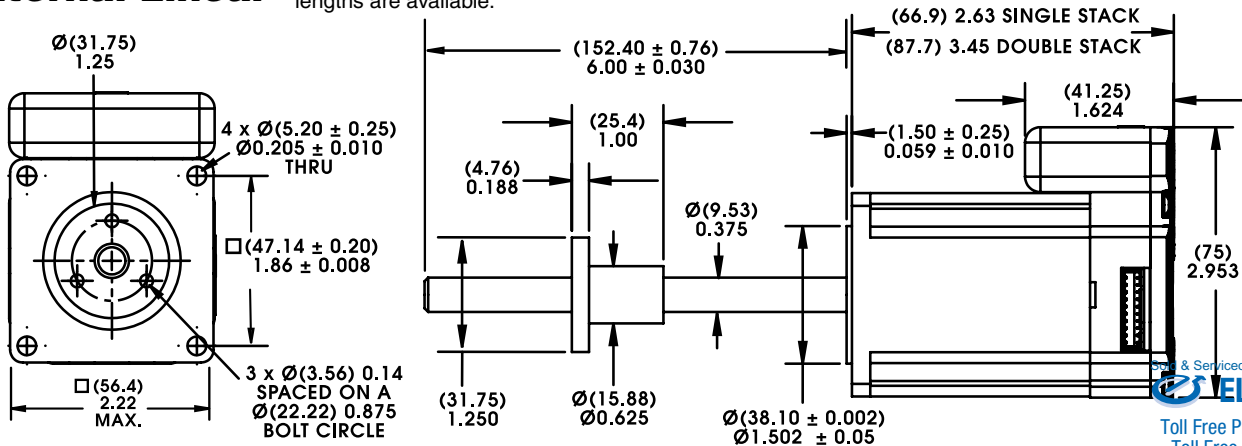
Non-Captive Lead-screw

Up to 18-in (457 mm) standard screw lengths. Longer screw lengths are available.



External Linear

Up to 12-in (305 mm) standard screw lengths. Longer screw lengths are available.



87000 Series: Size 34 Linear Actuator

Haydon Kerk Motion Solutions, Inc. • www.HaydonKerk.com • Phone: 800.243.2715 • International: 203.756.7441

**87000 Series,
 Size 34... our
 largest, most powerful
 linear actuator is
 also available with a
 captive, non-captive,
 and external linear
 shaft design**

Despite its large size and strength, this motor incorporates the same precision, high performance and durable patented designs featured in our entire hybrid product line.

The 87000 series delivers forces up to 500 lbs. (2224 N) in a compact, 3.4-in (87 mm) square package.

The 87000 Series is available in a wide variety of resolutions - from 0.0005-in (.0127 mm) per step to 0.005-in (.127 mm) per step. Speeds exceed 3.0-in (7.62 cm) per second.

In addition to our standard configurations, Haydon Kerk Motion Solutions, Inc. can custom build this powerful motor to meet your specific motion requirements. The in-house design and engineering team is available to assist you with a solution to fit your needs and your budget.



Size 34
Captive
Shaft



Size 34
Non-Captive
Shaft



Size 34
External Linear

HYBRID LINEAR ACTUATOR
STEPPER MOTORS

Salient Characteristics

Size 34: 87 mm (3.4-in) Hybrid Linear Actuator (1.8° Step Angle)						
Part No.	Captive	87H4(X)-V			87H6(X)-V	
	Non-captive	87F4(X)-V			87F6(X)-V	
	External Lin.	E87H4(X)-V			E87H6(X)-V	
Wiring		Bipolar			Unipolar*	
Winding voltage	2.85 VDC	5 VDC	12 VDC	5 VDC	12 VDC	
Current/phase	5.47 A	3.12 A	1.3 A	3.12 A	1.3 A	
Resistance/phase	0.52 Ω	1.6 Ω	9.23 Ω	1.6 Ω	9.23 Ω	
Inductance/phase	2.86 mH	8.8 mH	51 mH	4.4 mH	25.5 mH	
Power consumption	31.2 W					
Rotor inertia	1760 gcm ²					
Insulation Class	Class B (Class F available)					
Weight	5.1 lbs. (2.3 Kg)					
Insulation resistance	20 MΩ					

Linear Travel / Step		Order Code I.D.
Screw Ø.625" (15.88 mm)		
inches	mm	
.0005	.0127	3
.000625	.0158*	B
.00125	.0317*	C
.0025	.0635	Y
.005	.127	Z

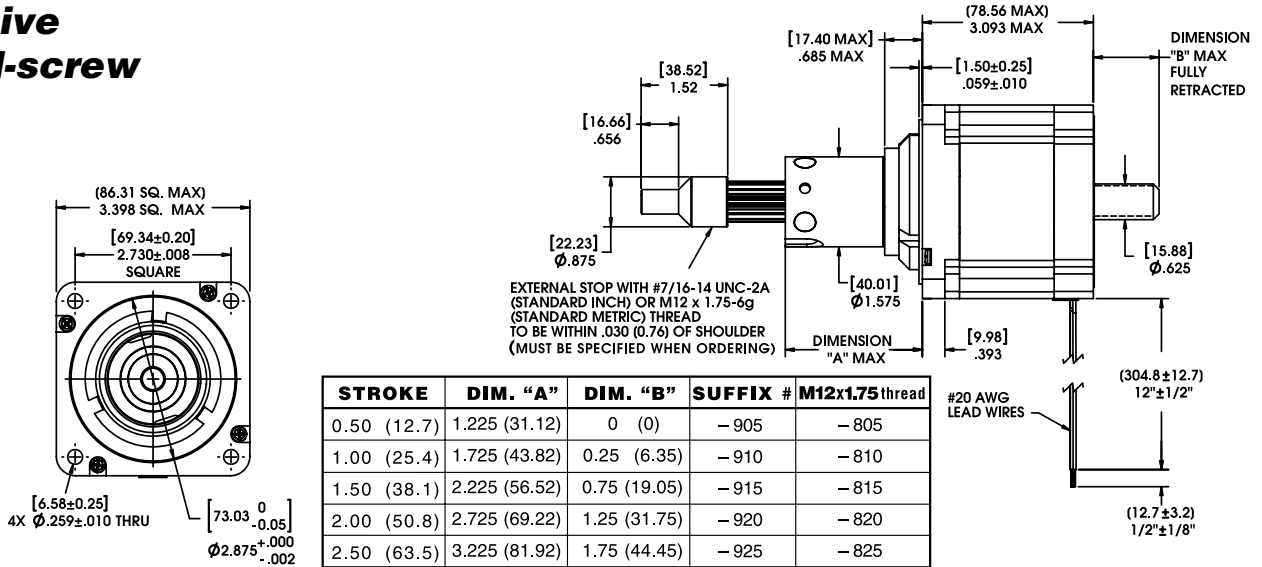
*Values truncated

Standard motors are Class B rated for maximum temperature of 130°C.

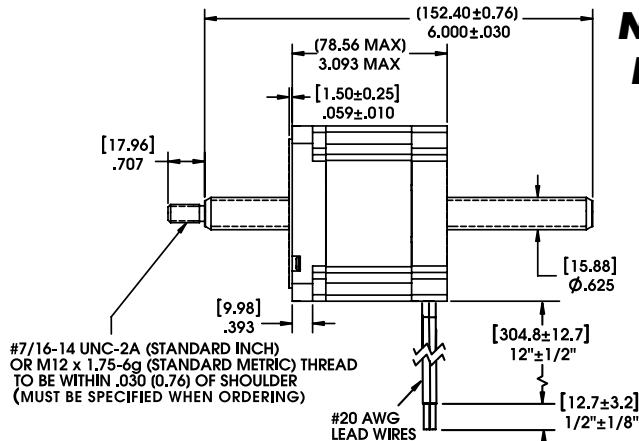
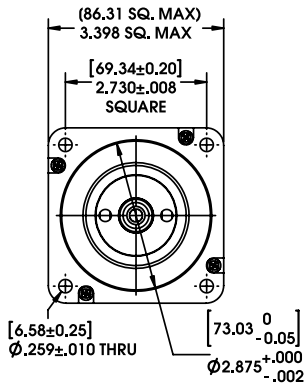
Special drive considerations may be necessary when leaving shaft fully extended or fully retracted.

** Unipolar drive gives approximately 30% less thrust than bipolar drive.

Captive Lead-screw



HYBRID LINEAR ACTUATOR
STEPPER MOTORS

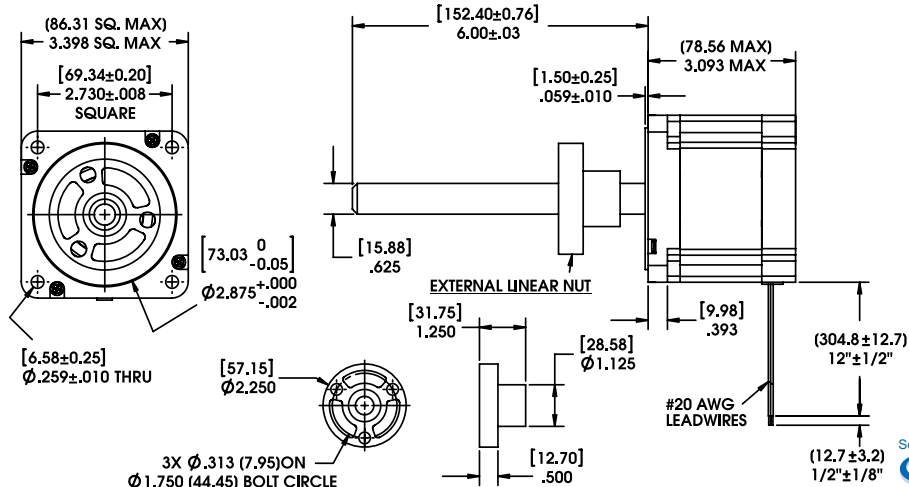


Non-Captive Lead-screw

Up to 18-in (457 mm) standard screw lengths. Longer screw lengths are available.

External Linear

Up to 12-in (305 mm) standard screw lengths. Longer screw lengths are available.

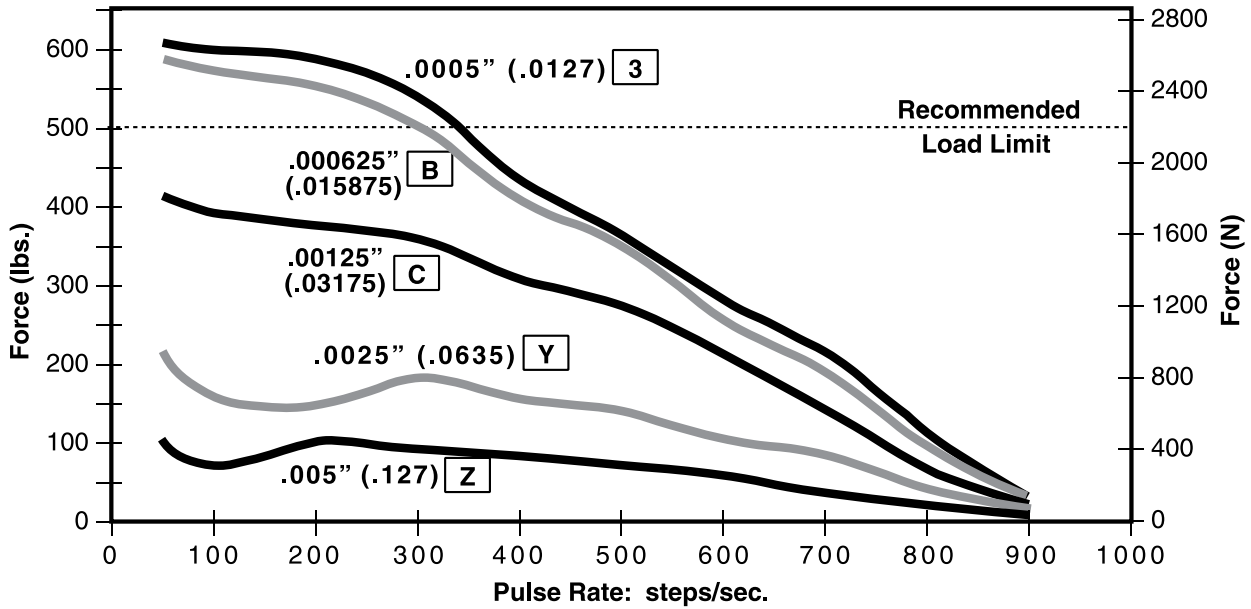


87000 Series: Size 34 Performance Curves

Haydon Kerk Motion Solutions, Inc. • www.HaydonKerk.com • Phone: 800.243.2715 • International: 203.756.7441

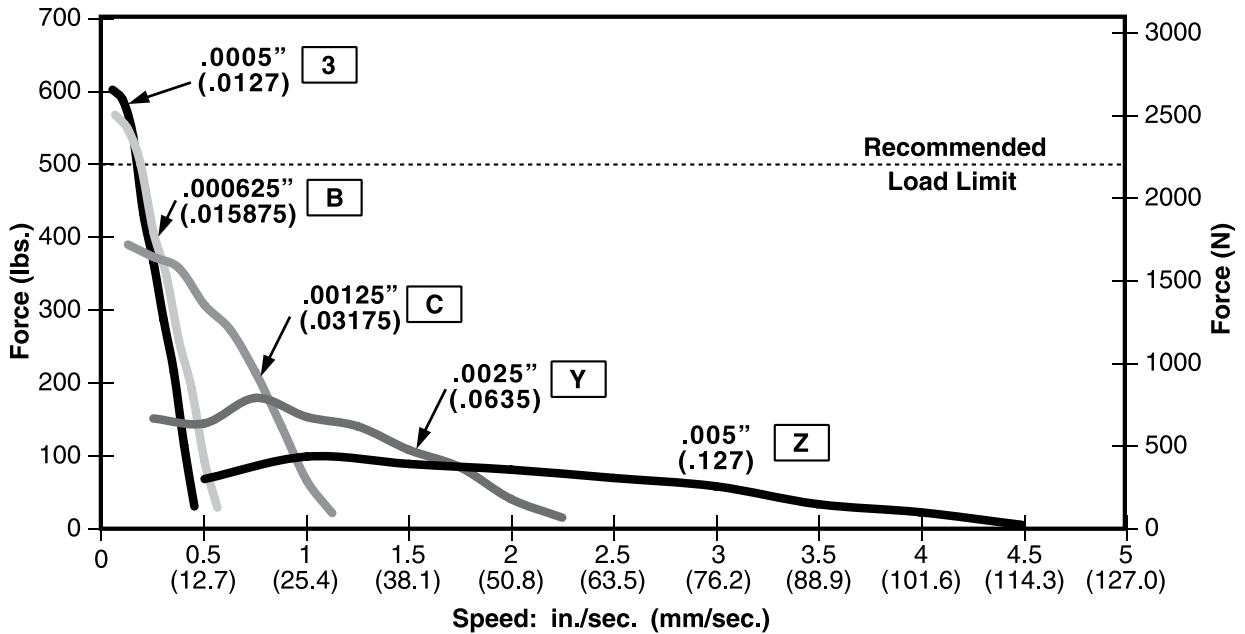
FORCE vs. PULSE RATE Bipolar • Chopper • 100% Duty Cycle

Ø .625 (15.88) Lead-screw



FORCE vs. LINEAR VELOCITY Bipolar • Chopper • 100% Duty Cycle

Ø .625 (15.88) Lead-screw



NOTE: All chopper drive curves were created with a 5 volt motor and a 75 volt power supply.

Ramping can increase the performance of a motor either by increasing the top speed or getting a heavier load accelerated up to speed faster. Also, deceleration can be used to stop the motor without overshoot.

With L/R drives peak force and speeds are reduced, using a unipolar drive will yield a further 30% force reduction.



Size 14 external, non-captive and captive with integrated connectors

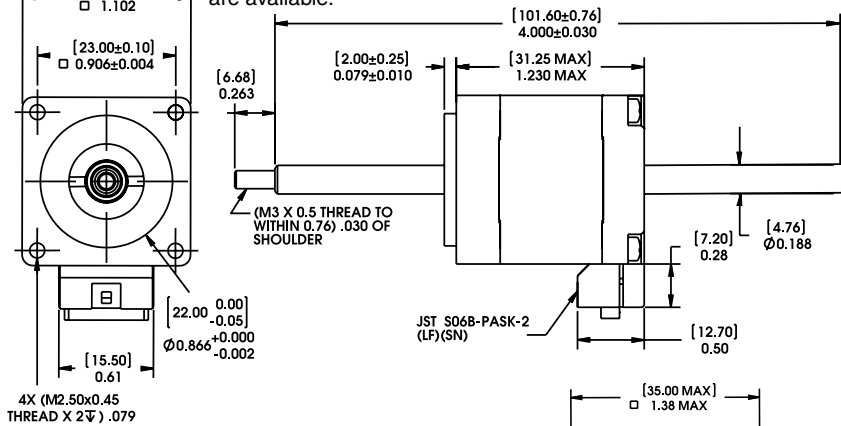
Integrated Connectors for Size 11, Size 14 and Size 17 Hybrid Linear Actuators

Hybrid Size 11, Size 14 and Size 17 linear actuators are available with an integrated connector. Offered alone or with a harness assembly, this connector is RoHS compliant and features a positive latch in order for high connection integrity. The connector is rated up to 3 amps and the mating connector will handle a range of wire gauges from 22 to 28. This motor is ideal for those that want to plug in directly to pre existing harnesses. In addition to standard configurations, Haydon Kerk Motion Solutions™ can custom design this motor to meet your specific application requirements.

HYBRID LINEAR ACTUATOR STEPPER MOTORS

Dimensional Drawing: Series 28000 Size 11 with Integrated Connector

Up to 8-in (203 mm) standard screw lengths. Longer screw lengths are available.

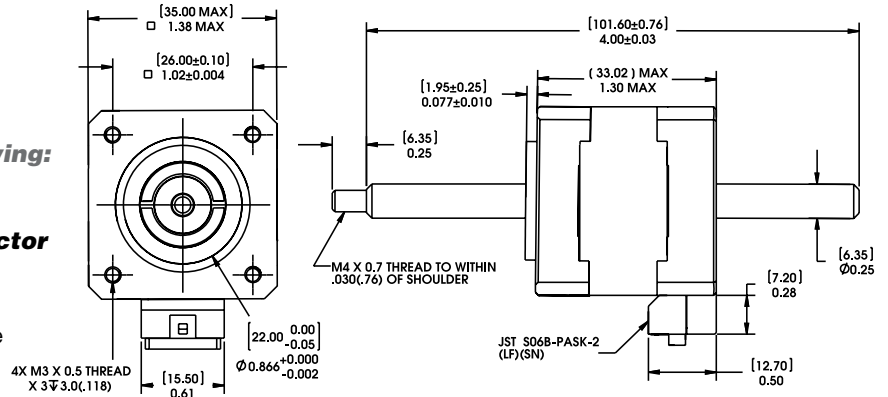


Mating Connector:
JST part number PAP-06V-S
Wire to Board Connector:
JST part number SPHD-001T-P0.5

Pin #	Bipolar	Unipolar
1	Phase 2 Start	Phase 2 Start
2	Open	Phase 2 Common
3	Phase 2 Finish	Phase 2 Finish
4	Phase 1 Finish	Phase 1 Finish
5	Open	Phase 1 Common
6	Phase 1 Start	Phase 1 Start

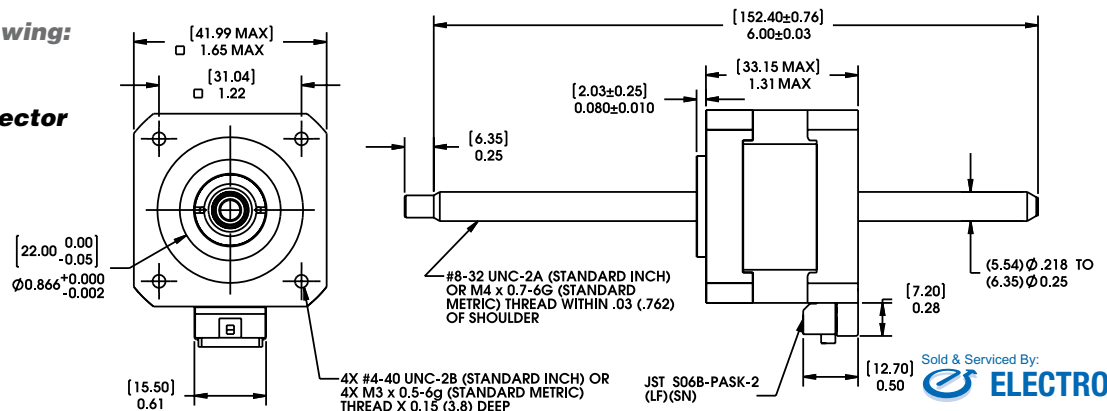
Dimensional Drawing: 35000 Series Size 14 with Integrated Connector

Up to 10-in (254 mm) standard screw lengths. Longer screw lengths are available.



Dimensional Drawing: 43000 Series Size 17 with Integrated Connector

Up to 10-in (254 mm) standard screw lengths. Longer screw lengths are available.



Sold & Serviced By:
ELECTROMATE

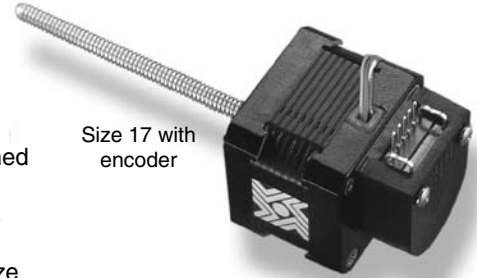
Toll Free Phone (877) SERV098
Toll Free Fax (877) SERV099
www.electromate.com
sales@electromate.com

Options for Hybrids: Encoders

Encoders designed for all sizes of hybrid linear actuators

All Haydon™ hybrid linear actuators are available with specifically designed encoders for applications that require feedback. The compact optical incremental encoder design is available with two channel quadrature TTL squarewave outputs. An optional index is also available as a 3rd channel. The Size 8 encoder provides resolutions for applications that require 250 and 300 counts per revolution. The Size 11, 14 and 17 encoder provides resolutions for applications that require 200, 400 and 1,000 counts per revolution. The Size 23 and 34 encoder is offered in resolutions of 200, 400, 1,000 and 2,000 counts per revolution. Encoders are available for all motor configurations – captive, non-captive and external linear.

Simplicity and low cost make the encoders ideal for both high and low volume motion control applications. The internal monolithic electronic module converts the real-time shaft angle, speed, and direction into TTL compatible outputs. The encoder module incorporates a lensed LED light source and monolithic photodetector array with signal shaping electronics to produce the two channel bounceless TTL outputs.



Size 17 with encoder



Size 23 with encoder

Electrical Specifications

	Minimum	Typical	Maximum	Units
Input voltage	4.5	5.0	5.5	VDC
Output signals	4.5	5.0	5.5	VDC

- 2 channel quadrature TTL squarewave outputs.
- Channel B leads A for a clockwise rotation of the rotor viewed from the encoder cover.
- Tracks at speeds of 0 to 100,000 cycles/sec.
- Optional index available as a 3rd channel (one pulse per revolution).

Operating Temperature

	Minimum	Maximum
Size 8	- 10°C (14°F)	85°C (185°F)
Size 11, 14, 17, 23, 34	- 40°C (- 40°F)	100°C (212°F)

Mechanical Specifications

	Maximum
Acceleration	250,000 rad/sec ²
Vibration (5 Hz to 2 kHz)	20 g

Resolution

4 standard Cycles Per Revolution (CPR) or Pulses Per Revolution (PPR)

Size 8 Encoder

CPR	250	300
PPR	1000	1200

Size 11, 14 & 17 Encoders

CPR	200	400	1000*
PPR	800	1600	4000*

Others are available.

Size 23 and 34 Encoders

CPR	200	400*	1000	2000
PPR	800	1600*	4000	8000

*Index Pulse Channel not available.

Single Ended Encoder Pinout Size 8

Connector Pin #	Description
1	+5 VDC Power
2	Channel A
3	Ground
4	Channel B

Single Ended Encoder Pinout Size 11, 14, 17 23, 34

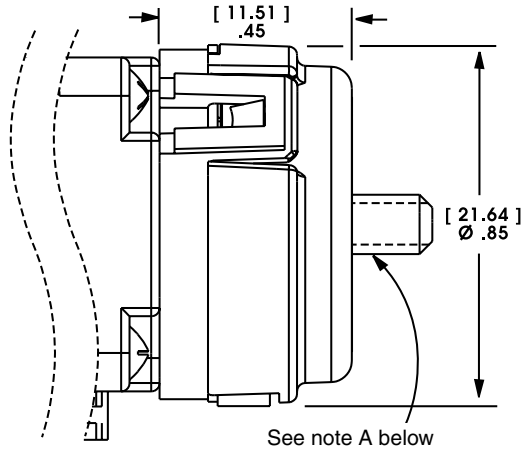
Connector Pin #	Description
1	Ground
2	Index (optional)
3	Channel A
4	+5 VDC Power
5	Channel B

Differential Ended Encoder Pinout Size 11, 14, 17 23, 34

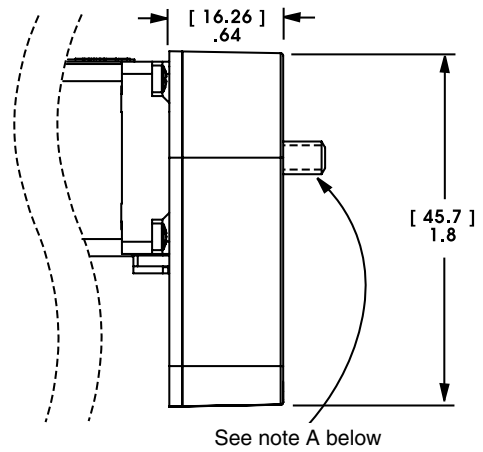
Connector Pin #	Description
1	Ground
2	Ground
3	- Index
4	+ Index
5	Channel A -
6	Channel A +
7	+5 VDC Power
8	+5 VDC Power
9	Channel B -
10	Channel B +

Encoder Dimensional Drawings

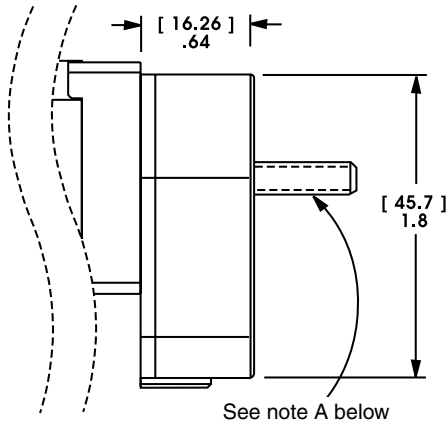
E4 21000 Series Size 8



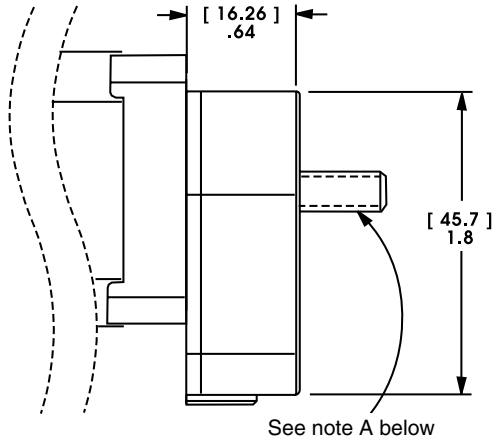
E5 28000 Series Size 11



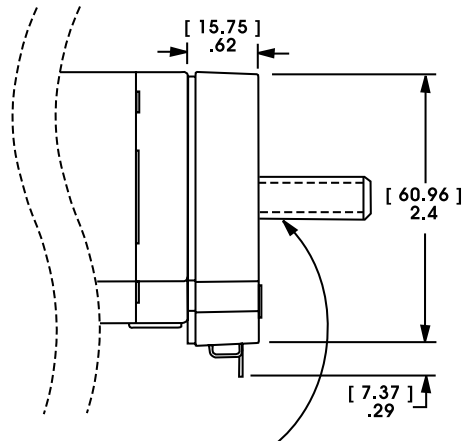
E5 35000 Series Size 14



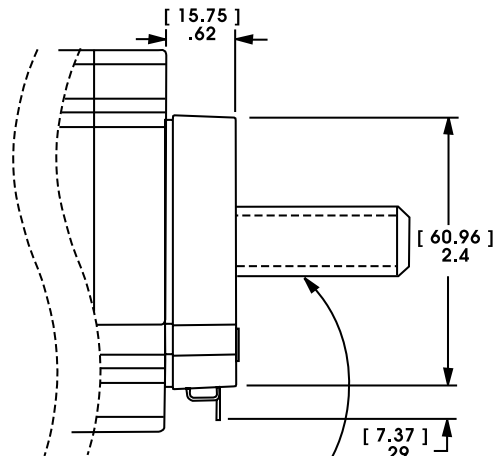
E5 43000 Series Size 17



E6 57000 Series Size 23



E6 87000 Series Size 34



Note A: Lead-screw extends beyond encoder on specific captive and non-captive motors. External linear shaft extension is available upon request.

HYBRID LINEAR ACTUATOR
STEPPER MOTORS

Optional Assemblies for Hybrids



Encoder Ready Option for all sizes of Hybrids

Haydon Hybrid Linear Actuators can now be manufactured as an encoder ready actuator. These encoder ready actuators can be used to install several popular hollow shaft encoders. They are available with an extended rotor journal and a threaded rear housing. The motors use a proprietary manufacturing process which incorporates engineering thermoplastics in the rotor drive nut and a stainless steel Acme lead-screw that allows the motor to be much more efficient and durable than today's more commonly used V-thread/bronze nut configurations.

Extended Rotor Journal for all Hybrid sizes

Haydon Hybrid Linear Actuators are available with an extended rotor journal. This extended rotor journal can be used for encoder installation, manual adjustment, or flag installation for a positioning sensor.



Size 23 Mounting Face Plate for Size 17 Hybrids

Haydon Kerk Motion Solutions, Inc. offers a size 23 mounting pattern for its hybrid Size 17 linear actuators.

Home Position Switch for all Hybrids (except Size 8)

A miniature electronic home position switch capable of monitoring the home positions of linear actuators. The switch mounts on the rear sleeve of captive linear motors and allows the user to identify start, stop or home positions. When ordering motors with the home position switch, the part number should be preceded by an "S" prefix.

End of Stroke Proximity Sensor for all sizes of Hybrids

The sensor incorporates a hall effect device, which is activated by a rare earth magnet embedded in the end of the internal screw. The compact profile of the sensor allows for installation in limited space applications.

The sensor has virtually unlimited cycle life. Special cabling and connectors can also be provided. When ordering motors with the proximity sensor, the part number should be preceded by a "P" prefix.



Black Ice™ TFE Coated Lead-screws for all Hybrids (certain conditions apply)

Where applications require the use of a "greaseless" screw and nut interface Haydon Kerk Motion Solutions™ offers TFE coated lead-screws.

A "dry" (non-lubricated) TFE coated lead-screw provides improved performance in both life and thrust as compared to a conventional stainless steel lead-screw. TFE can be applied to a wide variety of lead-screw pitches and is available for Haydon™ brand captive, non-captive and external linear linear actuators.

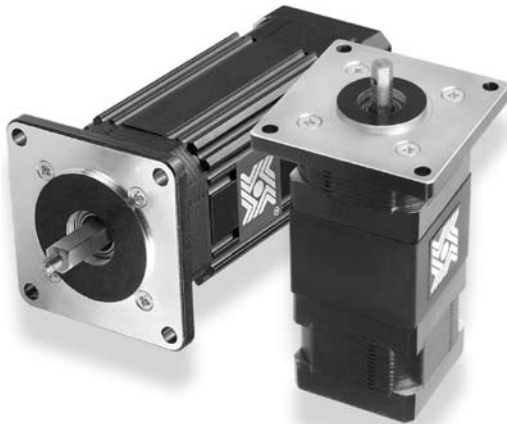


Integrated Anti-backlash Nut for all Hybrids (except Size 34)

All sizes (except Size 34) of captive and non-captive hybrid stepper motors can be equipped with an integral anti-backlash feature.

There is a normal backlash between the lead screw and integral rotor nut. Haydon™ actuators are designed for millions of cycles. However, over time additional backlash could increase and eventually double. Haydon Kerk Motion Solutions™ Integrated Anti-backlash nut can eliminate all backlash. Designed specifically for the Haydon captive and non-captive hybrid motors, these nuts use an opposing spring force to eliminate backlash between the screw and the nut interface. The nuts will self-compensate and accommodate any wear.

Haydon Kerk Motion Solutions™ application engineers can help you select the appropriate preload for your application.



A single unit that axially moves a component to an insertion position and then rotates it

In certain applications, it is required to have both rotary and linear motion. Such an application, for example, is in the robotic picking and placing of components where it may be required to axially move a component to an insertion position and then rotate the component to screw it in place. Another type of application requiring a shaft, which may selectively rotate and/or reciprocate, is in the precise control of laparoscopic and other such medical instruments.

In either type of application, it is frequently required that the linear motion be locked while rotary motion takes place. Conventional motor arrangements are often complicated and heavy, a substantial disadvantage for robotics applications. A problem with motors having linear motion is that the motors frequently provide inadequate output shaft support when heavy side loads are imposed on the output shafts.

The Haydon™ line of dual motion actuators provides independent linear and rotary motion from a compact package. The actuators are based on unique, patented designs and incorporate proven motor technology. These units simplify product development by replacing what would otherwise be far more bulky and complex mechanisms. Another feature of this design is to provide an electric motor in which linear and rotary motions are controllable independently of one another.

A limitless number of operating parameters are offered allowing each device to be custom manufactured according to customer specific application requirements. For a rotary/linear motor, it is desirable that the linear and rotary motions be controllable independently of one another. These devices can be run using a standard two axis stepper motor driver. Performance can be enhanced using chopper and/or microstepping drives.

For linear actuator data for the dual motion actuators please see page 88, the 35000 Series (Size 14), and page 97, 43000 Series (Size 17), hybrid linear actuators sections of this catalog. The curves for the rotary portion of the motors appear in the pages that follow.

DUAL MOTION ACTUATOR
LINEAR & ROTARY MOTION

Part Number Construction: Dual Motion Actuators

LR	35	K	H	4	J	- 05 -	910
Prefix	Series number designation	Rotary Step Angle	Linear Step Angle	Coils	Code ID Resolution Travel/Step	Voltage	Suffix:
LR = Linear/Rotary	35 = 35000 Available Series: 35000 43000 (Series numbers represent width ² of motor body)	H = 1.8° K = 0.9° M = 1.8° P = 0.9° Double Stack	H = 1.8° K = 0.9° M = 1.8° P = 0.9° Double Stack	4 = Bipolar (4 wire) 6 = Unipolar (6 wire)	(Example: J = travels .00048-in per step) (Refer to travel/step chart found on each Series product page.)	(Example: 05 = 5 VDC; 12 = 12 VDC) Custom V available	Stroke Example: -910 = 1-in (26 mm) -XXX = Proprietary suffix assigned to a specific customer application. The identifier can apply to either a standard or custom part.

EXAMPLE:

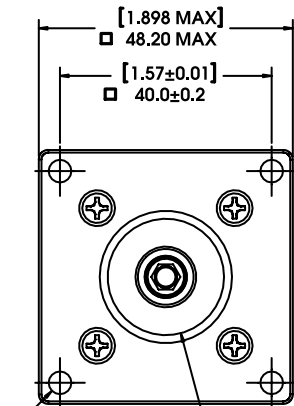
LR35KH4AB-05-910 = Dual motion, 35000 Series (Size 14, 1.5-in, 35 mm sq.), 0.9° rotary, 1.8° linear, bipolar coils, .00048-in (0.0121 mm), 5 Volts DC, 1-in (26 mm) stroke

35000 Series (Size 14) Dual Motion Actuators



Haydon Kerk Motion Solutions, Inc. • www.HaydonKerk.com • Phone: 800.243.2715 • International: 203.756.7441

Dimensional Drawings

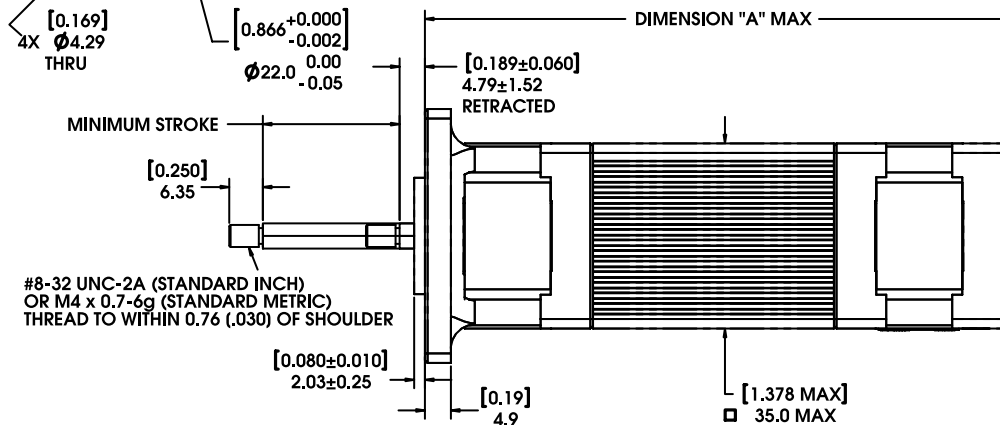


Standard strokes available:
1" (26 mm), 2" (51 mm) and
4" (102 mm). Customized strokes
available to 6" (152 mm)

STROKE	DIM. "A"	SUFFIX	M4x0.7 thread
0.50 (12.7)	3.9 (99.3)	- 905	- 805
1.00 (25.4)	4.409 (112.0)	- 910	- 810
2.00 (50.8)	5.409 (137.4)	- 920	- 820
4.00 (101.6)	7.409 (188.2)	- 940	- 840

Technical Specification

Linear Travel / Step	Load Limit	Order Code I.D.	
		inches	mm
0.000098*	0.0025	10	44.4
0.00012	0.0030*	15	67
0.00019*	0.005	15	67
0.00024	0.0060*	15	67
0.00039*	0.01	15	67
0.00048	0.0121*	15	67
0.00078*	0.02	15	67
0.00157*	0.04	15	67

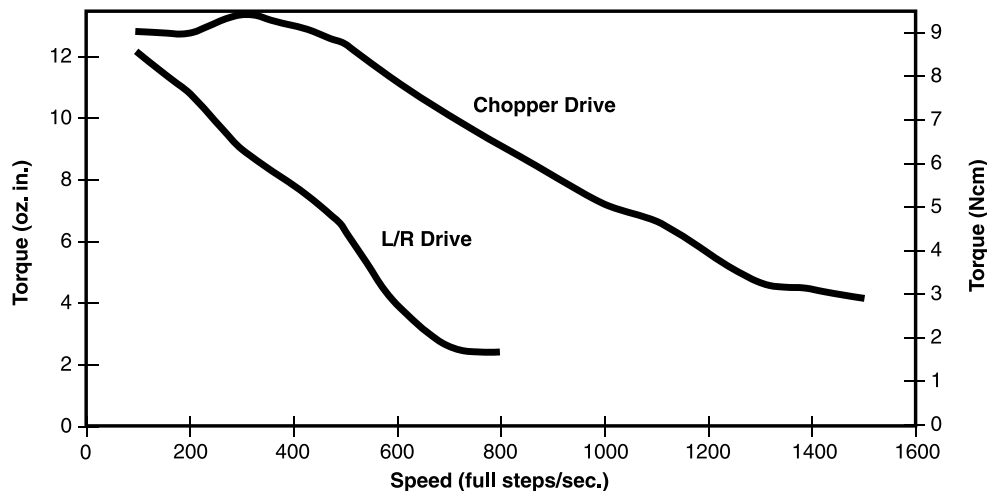


*Values truncated
Standard motors are
Class B rated
for maximum
temperature of 130°C.

DUAL MOTION ACTUATOR
LINEAR & ROTARY MOTION

35000 Series Size 14 • Rotary Function • Bipolar • 100% Duty Cycle

Torque curves for 35000 Series Linear Actuators. See FORCE/SPEED curves for 35000 Series Linear Actuator on pages 90 and 91.



NOTE: All chopper drive curves were created with a 5 volt motor and a 40 volt power supply.

Ramping can increase the performance of a motor either by increasing the top speed or getting a heavier load accelerated up to speed faster. Also, deceleration can be used to stop the motor without overshoot.

With L/R drives peak force and speeds are reduced, using a unipolar drive will yield a further 30% force reduction.



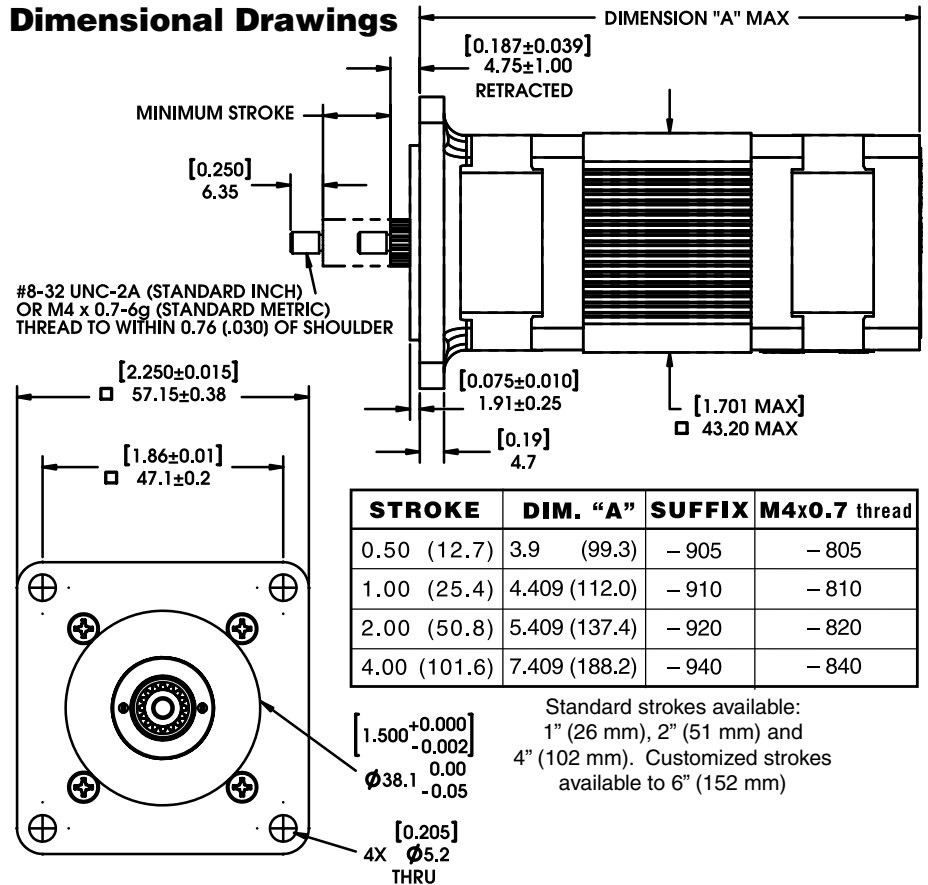
Technical Specification

Linear Travel / Step		Load Limit		Order Code I.D.
inches	mm	lbs	N	
0.00006	0.0015*	30	133	U
0.000078*	0.00198*	30	133	V
0.00012	0.0030*	30	133	N
0.000156259	0.0039*	30	133	P
0.00024	0.0060*	50	222	K
0.0003125	0.0079*	50	222	A
0.00048	0.0121*	50	222	J
0.0005	0.0127	50	222	3
0.000625	0.0158*	50	222	B
0.00096	0.0243*	50	222	Q
0.001	0.0245	50	222	1
0.00125	0.0317*	50	222	C
0.00192	0.0487*	50	222	R

*Values truncated

Standard motors are Class B rated for maximum temperature of 130°C.

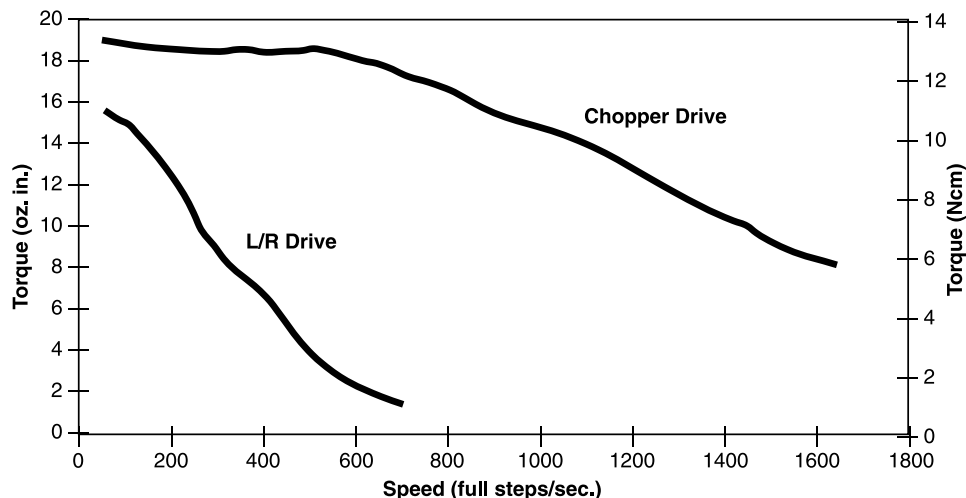
Dimensional Drawings



DUAL MOTION ACTUATOR
LINEAR & ROTARY MOTION

43000 Series Size 17 • Rotary Function • Bipolar • 100% Duty Cycle

Torque curves for 43000 Series Linear Actuators. See FORCE/SPEED curves for 43000 Series Linear Actuator on pages 99 and 100.



NOTE: All chopper drive curves were created with a 5 volt motor and a 40 volt power supply.

Ramping can increase the performance of a motor either by increasing the top speed or getting a heavier load accelerated up to speed faster. Also, deceleration can be used to stop the motor without overshoot.

With L/R drives peak force and speeds are reduced, using a unipolar drive will yield a further 30% force reduction.

Can-Stack Linear Actuators

Haydon™ linear actuators provide both a broader range and, for a given size, significantly higher thrust

The basic motors incorporate a threaded rotor in conjunction with a (lead-screw) shaft to provide rapid linear movement in two directions (inward and outward). Available step increments vary with the motor frame sizes and are dependent on the step angle of the motor and the lead screw pitch. A captive or non-captive shaft (lead-screw) option can be supplied for every basic size. Most of the basic sizes also offer an external linear option. The captive shaft configuration features a built-in “anti-rotation” design whereas the non-captive shaft requires the customer to provide external anti-rotation. Both unipolar and bipolar coil configurations are available.

Unique features impart ruggedness and reliability that assure long life and consistent performance. Rare earth magnets are available for even higher thrust. All basic frame sizes are built with dual ball bearings for greater motion control, precise step accuracy and long life. Most of the Haydon™ brand motors can also be electronically micro-stepped for tighter controls.

Applications include medical instrumentation, office equipment, machinery automation, robotics, sophisticated pumping systems and other automated devices which require precise remote controlled linear movement in a broad range of temperature environments.

G4 Series

The G4 Can-Stack Series represents advanced motion control with the industry’s most robust and most powerful linear actuators.

The series features:

- Enhanced teeth geometry
- High energy neodymium magnets
- Optimized magnetic circuit design
- High-tech engineered polymers
- Oversized spline (captive)
- Larger ball bearings

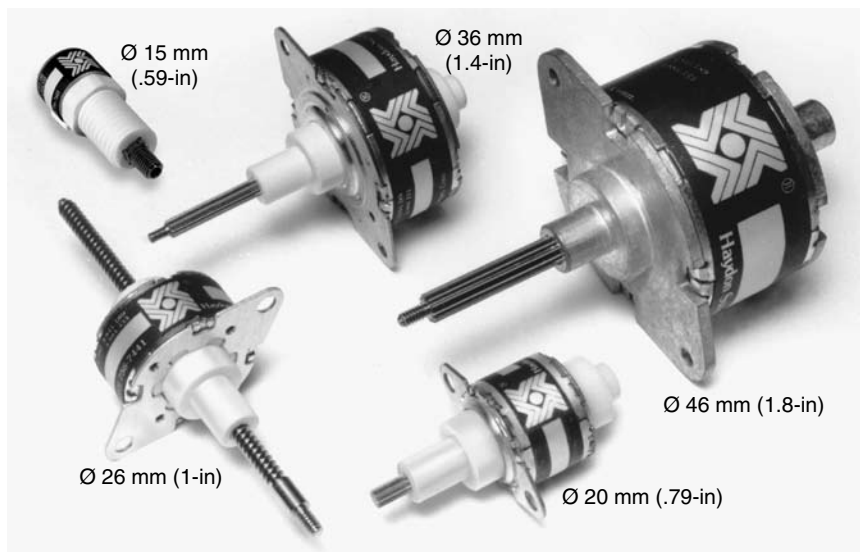
Available body-width diameters include Ø 20 mm (.79-in), Ø 26 mm (1-in), Ø 36 mm (1.4-in).



Can-Stack Series

Four basic frame sizes are available – Ø 20 mm (.79-in), Ø 26 mm (1-in), Ø 36 mm (1.4-in) and Ø 46 mm (1.8-in) – as well as an extremely compact, Ø 15 mm (.59-in) motor (captive shaft only).

For finer steps, the High Resolution 26000 and 36000 Series features the smallest step capability in permanent magnet can-stack linear actuators.



CAN-STACK LINEAR ACTUATOR MOTORS

Part Number Construction: Can-Stacks

Haydon Kerk Motion Solutions, Inc. • www.HaydonKerk.com • Phone: 800.243.2715 • International: 203.756.7441

Identifying the part number codes when ordering Can-Stack linear actuators

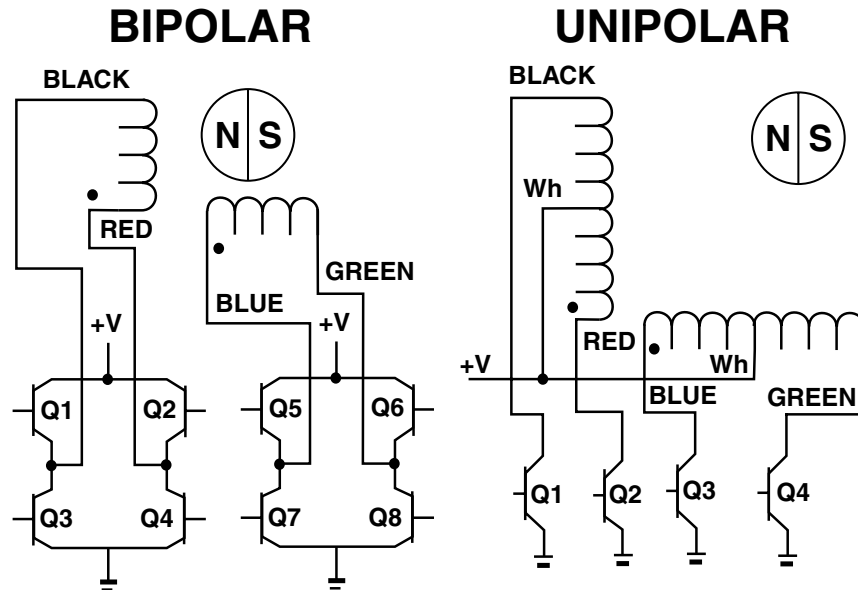
E	26	4	4	2	05	900
Prefix (only when using the following)	Series number designation: 26 = 26000	Style	Coils	Code ID Resolution Travel/Step	Voltage	Suffix:
E = External	Available Series: 19000 20000 25000 26000 36000 37000 46000	1 = 3.75° non-captive 2 = 3.75° captive 3 = 7.5° non-captive 4 = 7.5° captive 4 = 7.5° cap. Use "E" prefix for "External" 5 = 15° captive 5 = 15° cap. Use "E" prefix for "External" 8 = 15° non-captive	4 = Bipolar (4 wire) 6 = Unipolar (6 wire)	(Example: 2 = travels .002-in per step) (Refer to travel /step chart found on each Series product page.)	(Example: 05 = 5 VDC; 12 = 12 VDC) Custom V available	Stroke Example: -900 = external linear with grease & flanged nut Suffix also represents: -XXX = Proprietary suffix assigned to a specific customer application. The identifier can apply to either a standard or custom part.
P = Proximity Sensor	(Series numbers represent approximate diameters of motor body)					
S = Home Switch	15000 Series: See page 144					
T = High Temp.						
N = Nema Flange (46000 Series only)						
R = Rare Earth Magnet						

EXAMPLE:

E26442-05-900 = External linear actuator, 26000 series (Ø26 mm, 1-in), 7.5°, bipolar coils, .002-in travel per step, 5 VDC, with grease and flanged nut.

Screw Length Options: For non-captive and external linear shaft motors various screw lengths are available to accommodate almost any travel requirement.

CAN-STACK LINEAR ACTUATOR MOTORS



Can-Stack Linear Actuator: Stepping Sequence

	Bipolar	Q2-Q3	Q1-Q4	Q6-Q7	Q5-Q8	
	Unipolar	Q1	Q2	Q3	Q4	
	Step					
▼ Extend ▼	1	ON	OFF	ON	OFF	Retract ▲
	2	OFF	ON	ON	OFF	
	3	OFF	ON	OFF	ON	
	4	ON	OFF	OFF	ON	
	5	ON	OFF	ON	OFF	

Note: Half stepping is accomplished by inserting an off state between transitioning phases.

CAN-STACK LINEAR ACTUATOR MOTORS

19000 G4 Series: Ø 20 mm (.79-in) Can-Stack

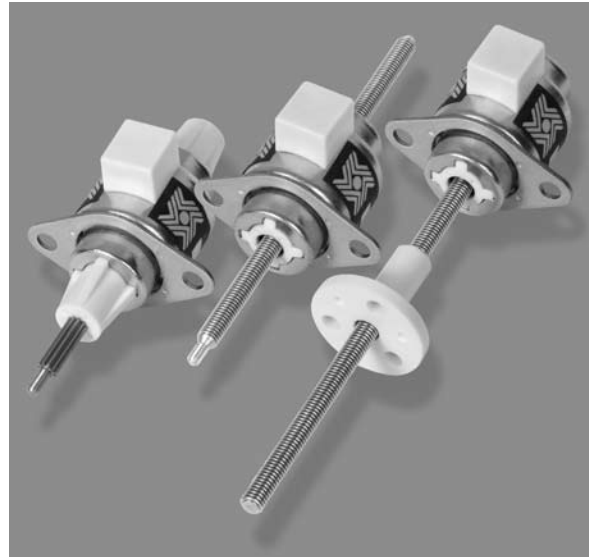
Haydon Kerk Motion Solutions, Inc. • www.HaydonKerk.com • Phone: 800.243.2715 • International: 203.756.7441

19000 G4 Series generates the highest force of any similar size linear actuator stepper motor.

Utilizing high energy rare earth (neodymium) magnets, the G4 Series linear actuators consistently deliver exceptional performance. All units are built with dual ball bearings.

Salient Characteristics

Ø 20 mm (.79-in) motor				
Wiring		Bipolar		
Part No.	Captive	1944X-V	1954X-V	
	Non-captive	1934X-V	1984X-V	
	External	E1944X-V	E1954X-V	
Step angle		7.5°		15°
Winding voltage	5 VDC	12 VDC	5 VDC	12 VDC
Current/phase	350 mA	160 mA	338 mA	140 mA
Resistance/phase	14.0 Ω	74.5 Ω	14.8 Ω	85.5 Ω
Inductance/phase	6.24 mH	31.2 mH	6.84 mH	37.8 mH
Rotor inertia	1.052 gcm ²		.548 gcm ²	
Power consumption	3.38 W			
Insulation Class	Class B			
Weight	1.24 oz (35 g)			
Insulation resistance	20 MΩ			



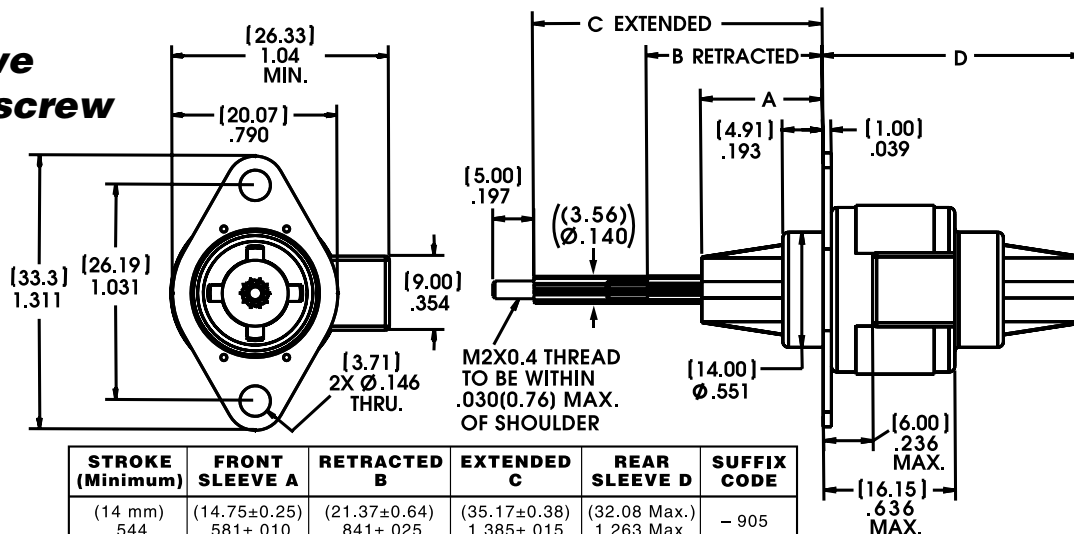
Linear Travel/Step			Order Code I.D.
Step	inches	mm	
7.5° Angle	0.0005	0.013	3
	0.001	0.0254	1
15° Angle	0.002	0.051	2
	0.004	0.102	4

Special drive considerations may be necessary when leaving shaft fully extended or fully retracted.

Standard motors are Class B rated for maximum temperature of 130° C (266° F).

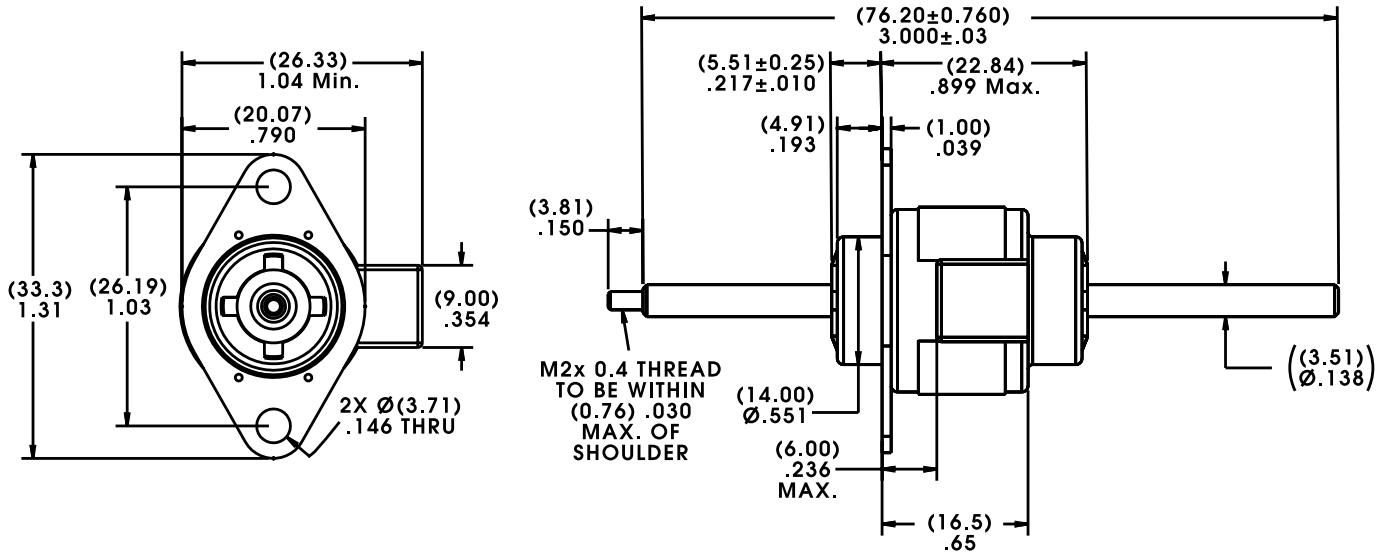
CAN-STACK LINEAR ACTUATOR MOTORS

Captive Lead-screw

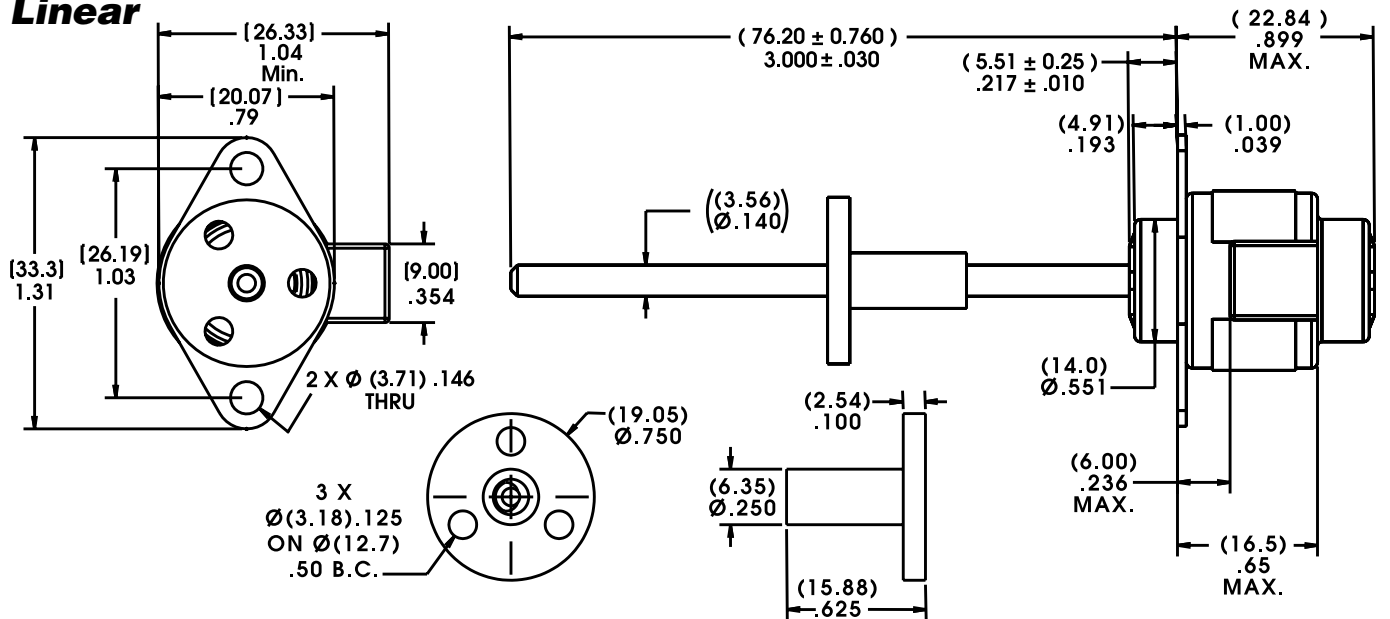


STROKE (Minimum)	FRONT SLEEVE A	RETRACTED B	EXTENDED C	REAR SLEEVE D	SUFFIX CODE
(14 mm) .544	(14.75±0.25) .581±.010	(21.37±0.64) .841±.025	(35.17±0.38) 1.385±.015	(32.08 Max.) 1.263 Max.	- 905
(18 mm) .708	(20.05±0.25) .789±.010	(26.67±0.64) 1.050±.025	(45.77±0.38) 1.802±.015	(37.38 Max.) 1.472 Max.	- 907
(25 mm) .984	(27.05±0.25) 1.065±.010	(33.67±0.64) 1.325±.025	(59.77±0.38) 2.353±.015	(44.38 Max.) 1.747 Max.	- 910
(31 mm) 1.22	(33.05±0.25) 1.301±.010	(39.67±0.64) 1.562±.025	(71.77±0.38) 2.826±.015	(63.08 Max.) 2.483 Max.	- 912

Non-Captive Lead-screw Up to 6.3-in (160 mm) standard screw lengths. Longer screw lengths are available.

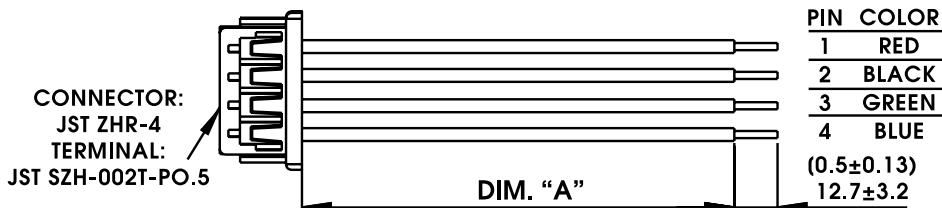


External Linear Up to 6.3-in (160 mm) standard screw lengths. Longer screw lengths are available.



CAN-STACK LINEAR
ACTUATOR MOTORS

Connector



Part Number	Dimension "A"
56-1318-4	(24 ±0.39) 610 ±10 mm
56-1318-3	(18 ±0.39) 450 ±10 mm
56-1318-2	(12 ±0.39) 305 ±10 mm
56-1318-1	(6 ±0.39) 150 ±10 mm

ELECTROMATE

Toll Free Phone (877) SERV098
Toll Free Fax (877) SERV099
www.electromate.com
sales@electromate.com

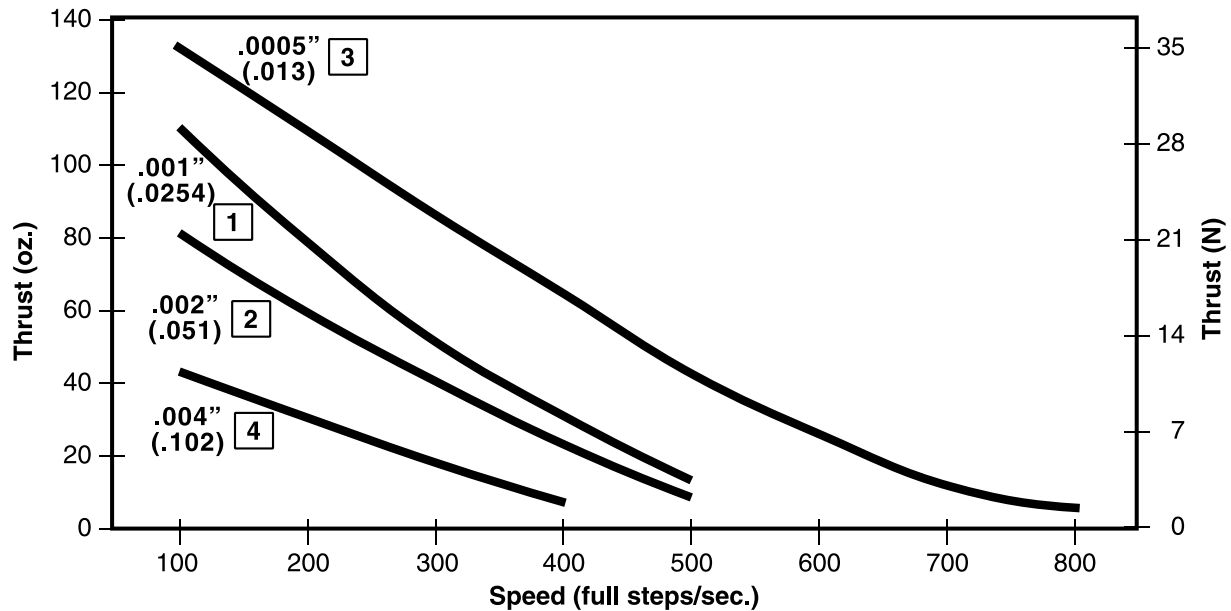
19000 G4 Series: Ø 20 mm (.79-in) Can-Stack Performance Curves



Haydon Kerk Motion Solutions, Inc. • www.HaydonKerk.com • Phone: 800.243.2715 • International: 203.756.7441

THRUST vs. FULL STEPS/SECOND

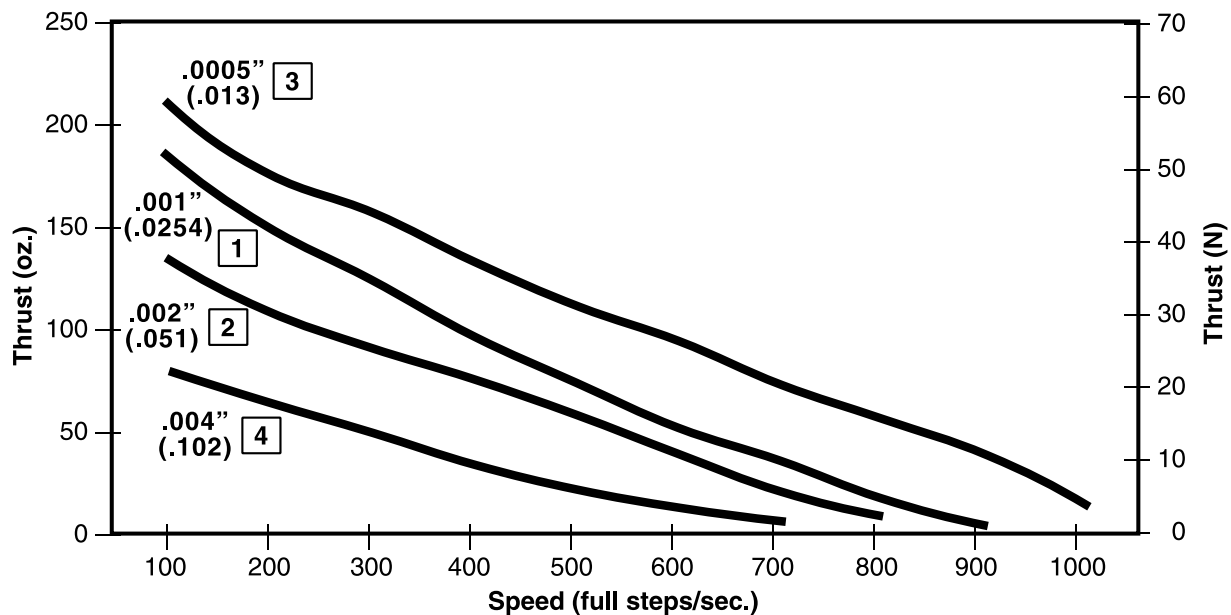
L/R Drive • Bipolar • 100% Duty Cycle



THRUST vs. FULL STEPS/SECOND

L/R Drive • Bipolar • 25% Duty Cycle

25% duty cycle is obtained by a special winding or by running a standard motor at double the rated voltage.



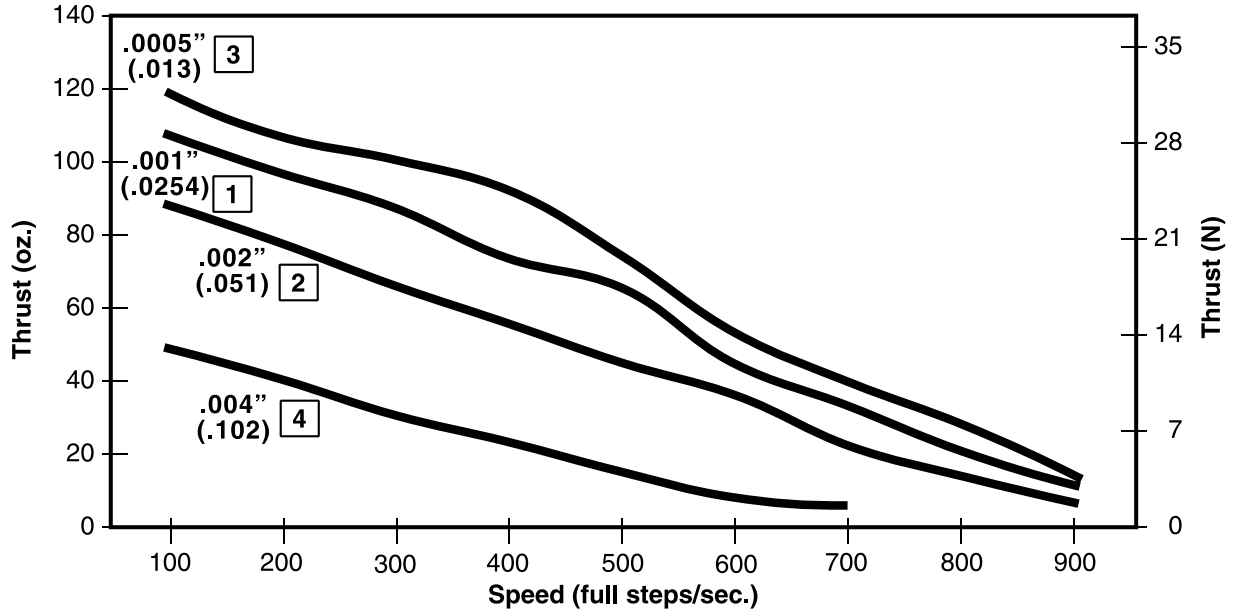
CAN-STACK LINEAR ACTUATOR MOTORS

NOTE: Ramping can increase the performance of a motor either by increasing the top speed or getting a heavier load accelerated up to speed faster. Also, deceleration can be used to stop the motor without overshoot.

Sold & Serviced By:
ELECTROMATE
 Toll Free Phone (877) SERV098
 Toll Free Fax (877) SERV099
www.electromate.com
sales@electromate.com

THRUST vs. FULL STEPS/SECOND

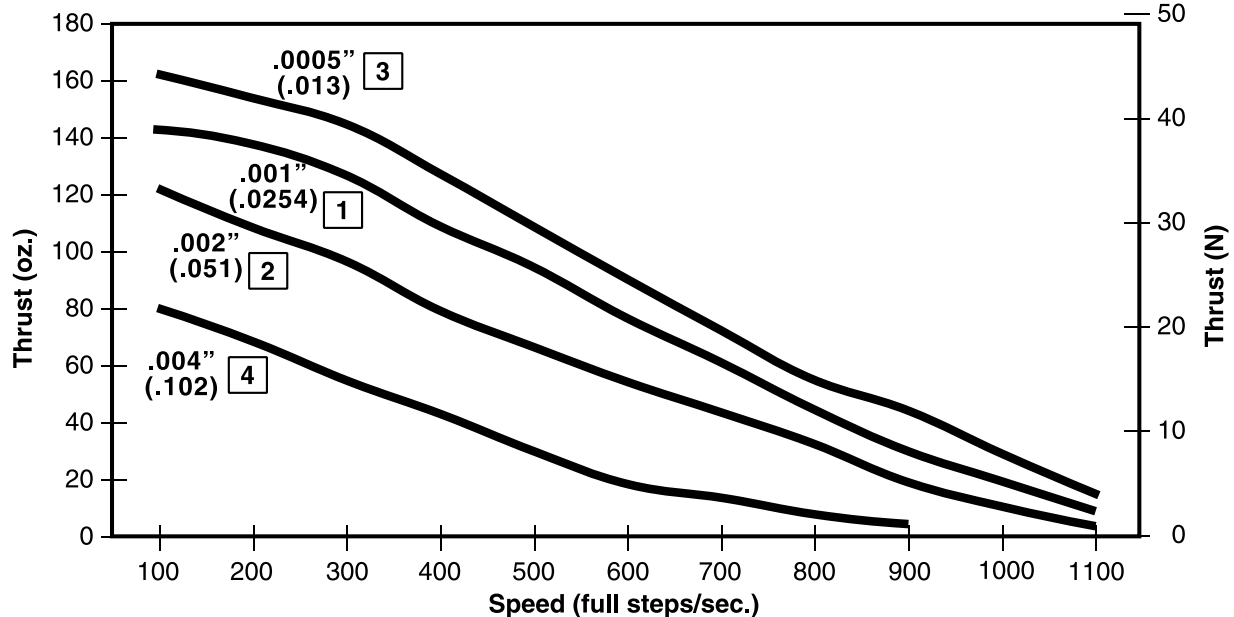
Chopper Drive • Bipolar • 100% Duty Cycle



THRUST vs. FULL STEPS/SECOND

Chopper Drive • Bipolar • 25% Duty Cycle

25% duty cycle is obtained by a special winding or by running a standard motor at double the rated current.



CAN-STACK LINEAR ACTUATOR MOTORS

NOTE: All chopper drive curves were created with a 5 Volt motor and a 40 Volt power supply.

Ramping can increase the performance of a motor either by increasing the top speed or getting a heavier load accelerated to speed faster. Also, deceleration can be used to stop the motor without overshoot.

25000 G4 Series: Ø 25 mm (1.0-in) Can-Stack

Haydon Kerk Motion Solutions, Inc. • www.HaydonKerk.com • Phone: 800.243.2715 • International: 203.756.7441

The robust and powerful 25000 G4 Series generates higher force than all other competitors.

The 25000 G4 Series linear actuators offer high durability and exceptional performance. All units are built with high energy neodymium magnets and dual ball bearings.

Salient Characteristics

Ø 25 mm (1-in) motor					
Wiring		Bipolar			
Part No.	Captive	2544X-V	2554X-V		
	Non-captive	2534X-V	2584X-V		
	External	E2544X-V	E2554X-V		
Step angle		7.5°		15°	
Winding voltage		5 VDC	12 VDC	5 VDC	12 VDC
Current/phase		385 mA	160 mA	385 mA	160 mA
Resistance/phase		13 Ω	72 Ω	13 Ω	72 Ω
Inductance/phase		10.8 mH	60 mH	8.08 mH	48 mH
Power consumption		3.85 W			
Rotor inertia		1.07 gcm ²			
Insulation Class		Class B			
Weight		1.74 oz (49 g)			
Insulation resistance		20 MΩ			

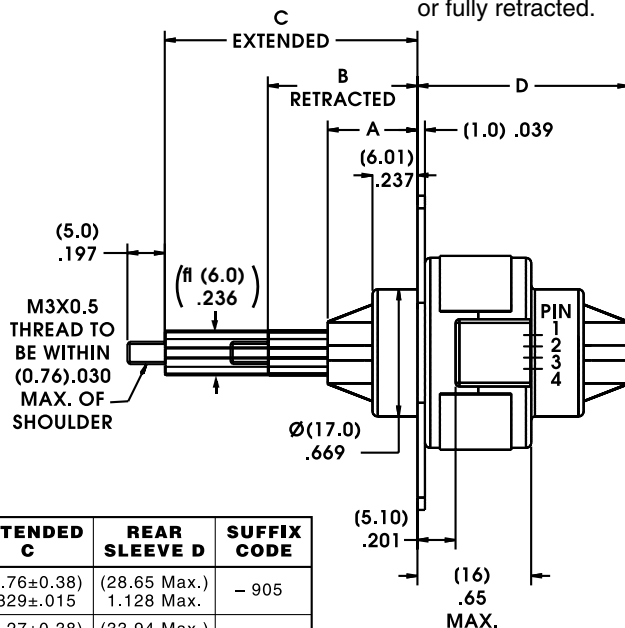
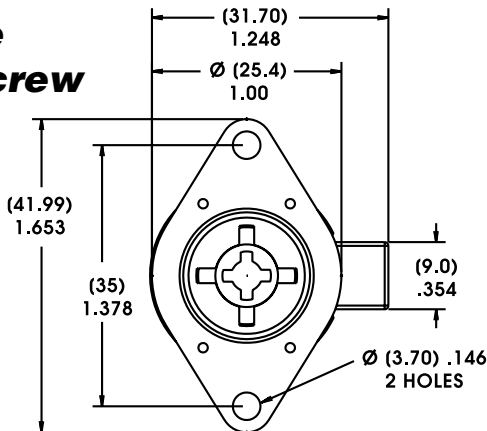


Step	Linear Travel/Step		Order Code I.D.
	inches	mm	
7.5° Angle	0.0005	0.013	3
	0.001	0.0254	1
	0.002	0.051	2
15° Angle	0.001	0.0254	1
	0.002	0.051	2
	0.004	0.102	4

Standard motors are Class B rated for maximum temperature of 130° C (266° F).

Special drive considerations may be necessary when leaving shaft fully extended or fully retracted.

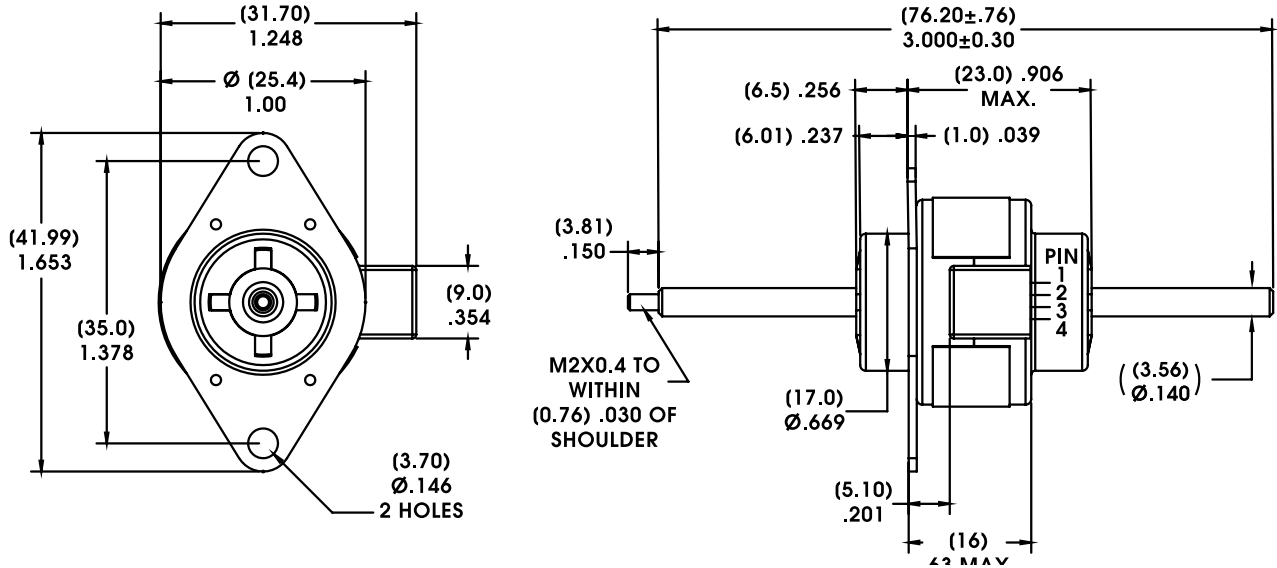
Captive Lead-screw



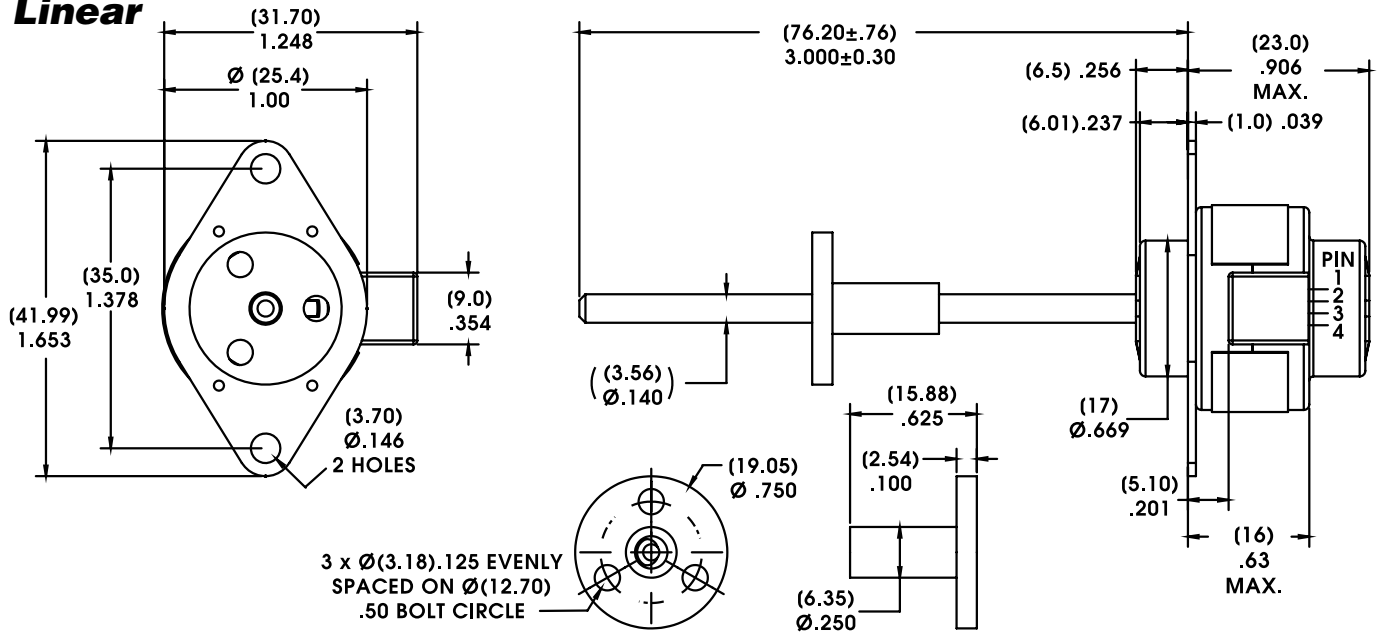
STROKE (Minimum)	FRONT SLEEVE A	RETRACTED B	EXTENDED C	REAR SLEEVE D	SUFFIX CODE
(13 mm) .517	(11.99±0.25) .472±.010	(19.99±0.64) .787±.025	(33.76±0.38) 1.329±.015	(28.65 Max.) 1.128 Max.	- 905
(18 mm) .708	(17.28±0.25) .680±.010	(25.25±0.64) .994±.025	(44.27±0.38) 1.743±.015	(33.94 Max.) 1.336 Max.	- 907
(25 mm) .984	(24.26±0.25) .955±.010	(32.23±0.64) 1.269±.025	(58.24±0.38) 2.293±.015	(40.92 Max.) 1.611 Max.	- 910
(31 mm) 1.22	(30.25±0.25) 1.191±.010	(38.23±0.64) 1.505±.025	(70.23±0.38) 2.765±.015	(46.91 Max.) 1.847 Max.	- 912

CAN-STACK LINEAR ACTUATOR MOTORS

Non-Captive Lead-screw Up to 6.3-in (160 mm) standard screw lengths. Longer screw lengths are available.

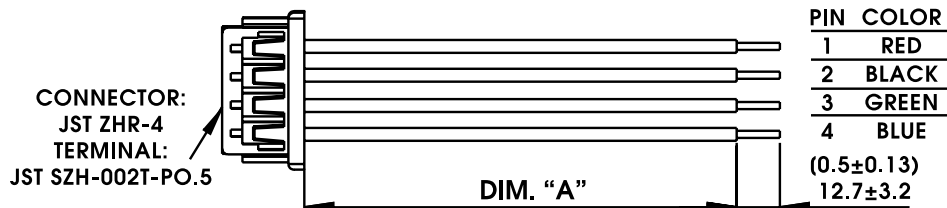


External Linear Up to 6.3-in (160 mm) standard screw lengths. Longer screw lengths are available.



CAN-STACK LINEAR ACTUATOR MOTORS

Connector



Part Number	Dimension "A"
56-1318-4	(24 ±0.39) 610 ±10 mm
56-1318-3	(18 ±0.39) 450 ±10 mm
56-1318-2	(12 ±0.39) 305 ±10 mm
56-1318-1	(6 ±0.39) 150 ±10 mm

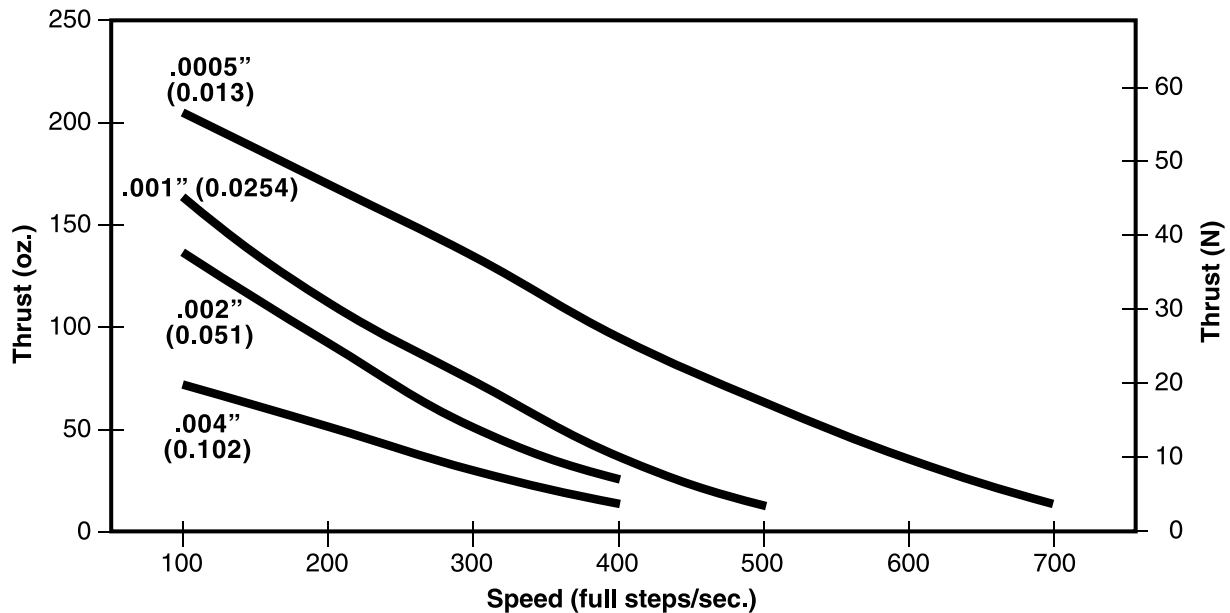
25000 G4 Series: Ø 25 mm (1.0-in) Can-Stack Performance Curves



Haydon Kerk Motion Solutions, Inc. • www.HaydonKerk.com • Phone: 800.243.2715 • International: 203.756.7441

THRUST vs. FULL STEPS/SECOND

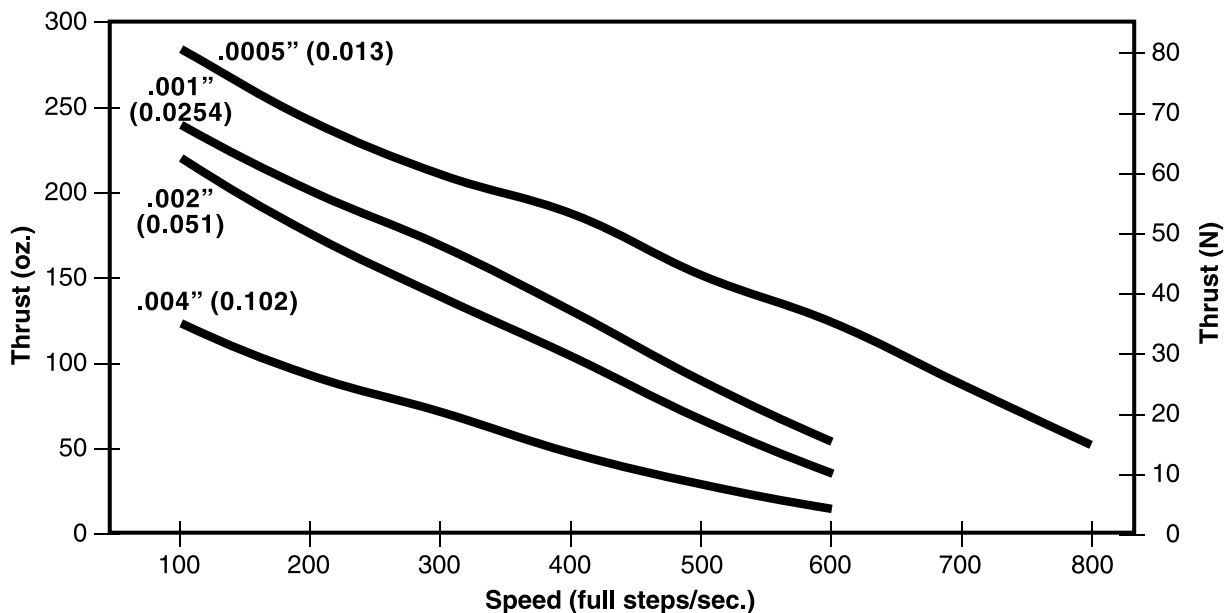
L/R Drive • Bipolar • 100% Duty Cycle



THRUST vs. FULL STEPS/SECOND

L/R Drive • Bipolar • 25% Duty Cycle

25% duty cycle is obtained by a special winding or by running a standard motor at double the rated voltage.



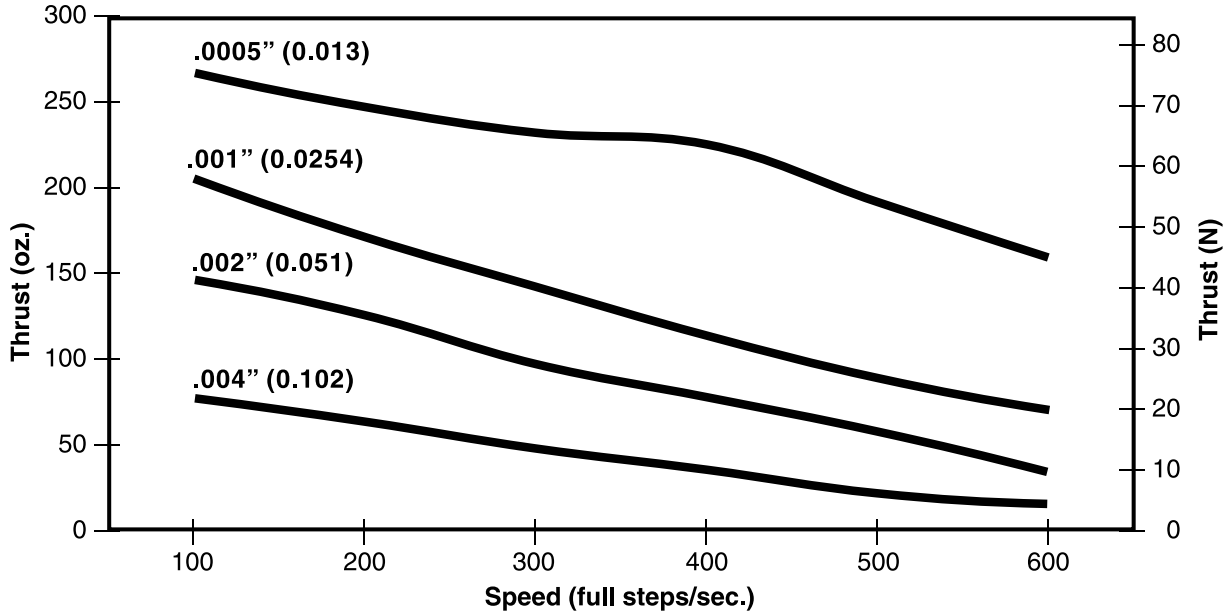
CAN-STACK LINEAR ACTUATOR MOTORS

NOTE: Ramping can increase the performance of a motor either by increasing the top speed or getting a heavier load accelerated up to speed faster. Also, deceleration can be used to stop the motor without overshoot.

Sold & Serviced By:
ELECTROMATE
 Toll Free Phone (877) SERV098
 Toll Free Fax (877) SERV099
www.electromate.com
sales@electromate.com

THRUST vs. FULL STEPS/SECOND

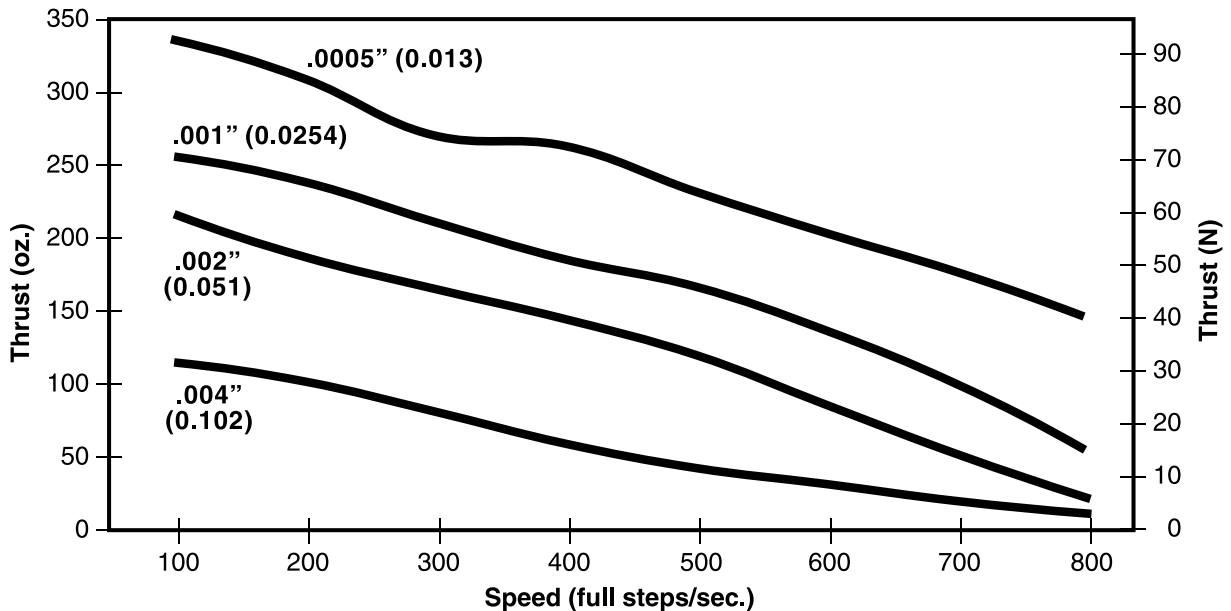
Chopper Drive • Bipolar • 100% Duty Cycle



THRUST vs. FULL STEPS/SECOND

Chopper Drive • Bipolar • 25% Duty Cycle

25% duty cycle is obtained by a special winding or by running a standard motor at double the rated current.



CAN-STACK LINEAR ACTUATOR MOTORS

NOTE: All chopper drive curves were created with a 5 Volt motor and a 40 Volt power supply.

Ramping can increase the performance of a motor either by increasing the top speed or getting a heavier load accelerated to speed faster. Also, deceleration can be used to stop the motor without overshoot.

37000 G4 Series: Ø 36 mm (1.4-in) Can-Stack

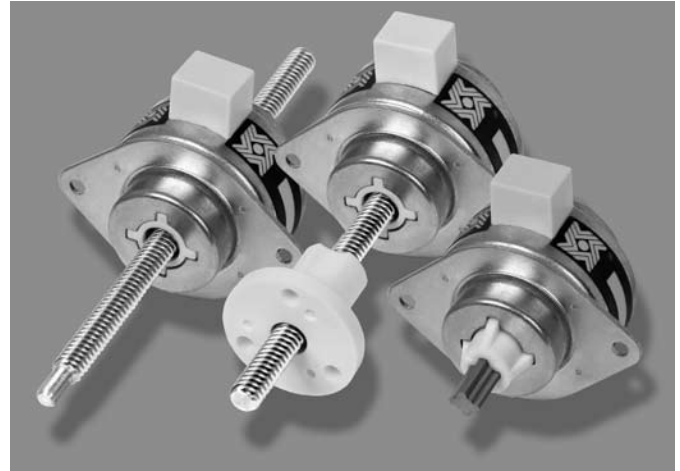
Haydon Kerk Motion Solutions, Inc. • www.HaydonKerk.com • Phone: 800.243.2715 • International: 203.756.7441

Exceptionally high linear force-to-size ratio ideal for precision motion.

The 37000 G4 Series linear actuators provide outstanding durability and high performance. The G4 Series features high energy neodymium magnets and dual ball bearings.

Salient Characteristics

Ø 36 mm (1.4-in) motor					
Wiring		Bipolar			
Part No.	Captive	3744X-V	3754X-V		
	Non-captive	3734X-V	3784X-V		
	External	E3744X-V	E3754X-V		
Step angle		7.5°		15°	
Winding voltage		5 VDC	12 VDC	5 VDC	12 VDC
Current/phase		561 mA	230 mA	561 mA	160 mA
Resistance/phase		8.9 Ω	52 Ω	8.9 Ω	52 Ω
Inductance/phase		11.6 mH	65 mH	8.5 mH	46 mH
Power consumption		5.6 W			
Rotor inertia		8.5 gcm ²			
Insulation Class		Class B			
Weight		4.2 oz (49 g)			
Insulation resistance		20 MΩ			



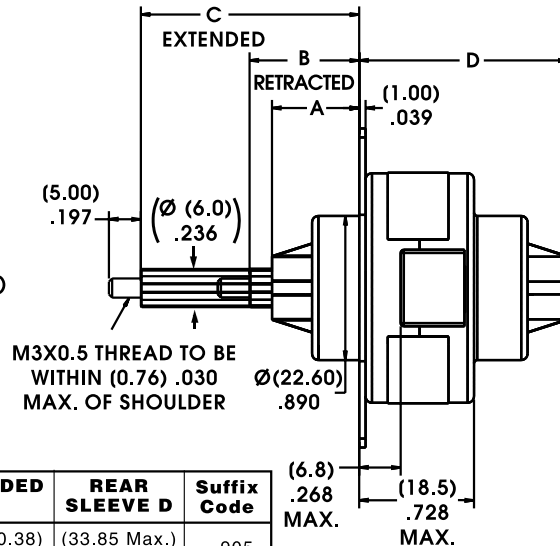
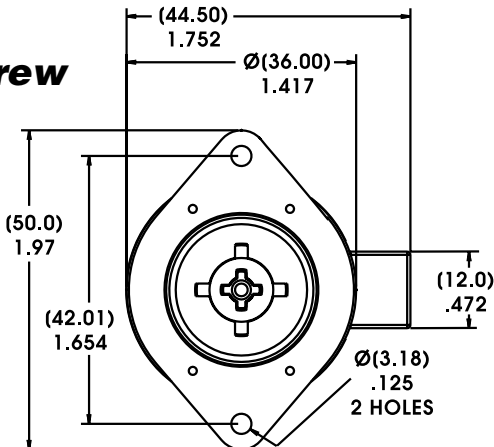
Step	Linear Travel/Step		Order Code I.D.
	inches	mm	
7.5° Angle	0.0005	0.013	3
	0.001	0.0254	1
	0.002	0.051	2
15° Angle	0.001	0.0254	1
	0.002	0.051	2
	0.004	0.102	4

Standard motors are Class B rated for maximum temperature of 130° C (266° F).

Special drive considerations may be necessary when leaving shaft fully extended or fully retracted.

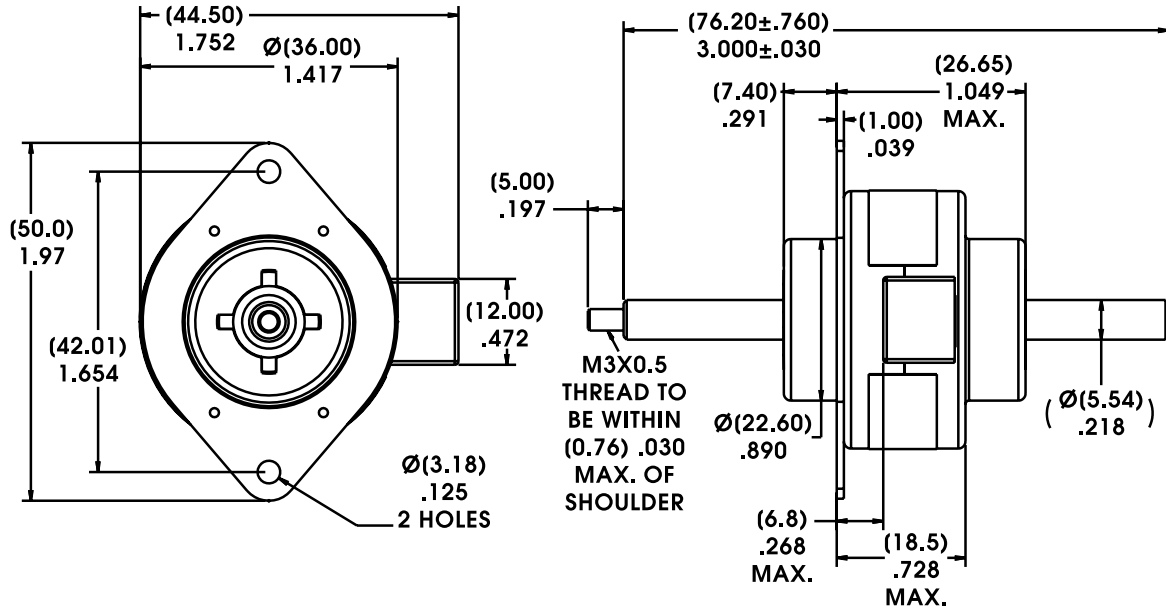
CAN-STACK LINEAR ACTUATOR MOTORS

Captive Lead-screw

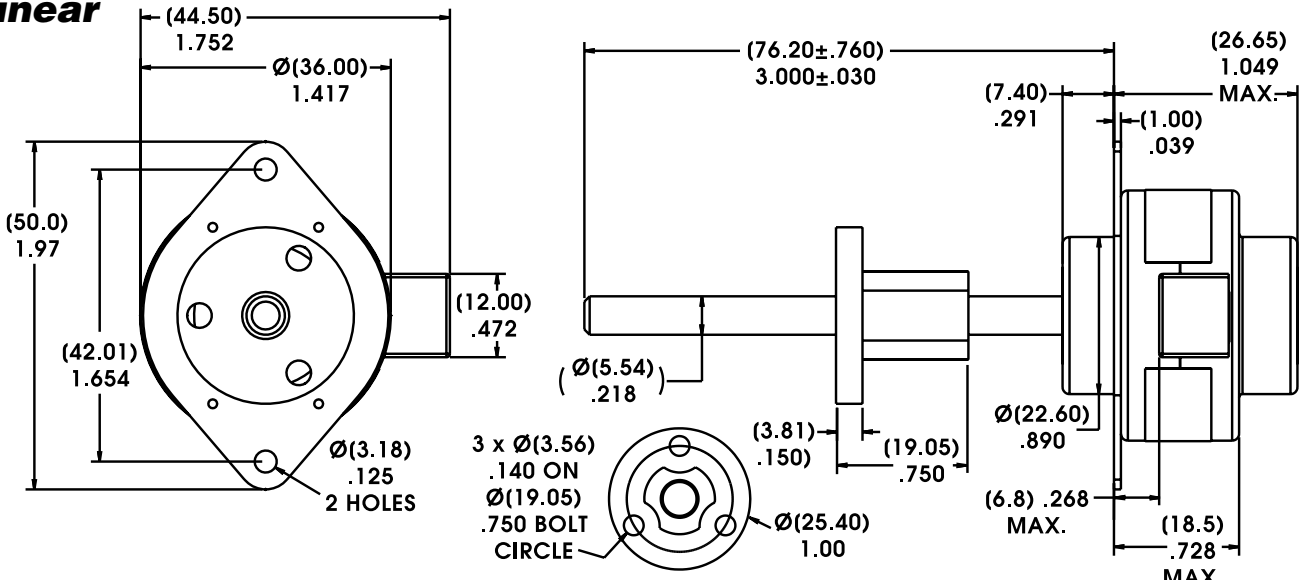


STROKE (Minimum)	FRONT SLEEVE A	RETRACTED B	EXTENDED C	REAR SLEEVE D	Suffix Code
(16.0 mm) 0.631	(13.67±0.25) .538±.010	(17.19±0.64) .677±.025	(34.24±0.38) 1.348±.015	(33.85 Max.) 1.333 Max.	- 905
(25.4 mm) 1.00	(26.37±0.25) 1.038±.010	(29.89±0.64) 1.177±.025	(56.94±0.38) 2.348±.015	(46.55 Max.) 1.833 Max.	- 910
(38.1 mm) 1.50	(39.07±0.25) 1.538±.010	(42.59±0.64) 1.677±.025	(85.04±0.38) 3.348±.015	(59.25 Max.) 2.333 Max.	- 915

Non-Captive Lead-screw Up to 6.3-in (160 mm) standard screw lengths. Longer screw lengths are available.



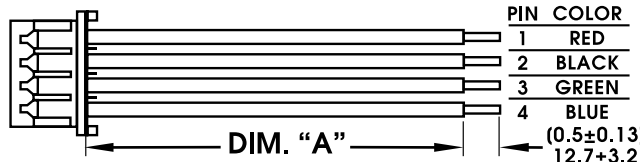
External Linear Up to 6.3-in (160 mm) standard screw lengths. Longer screw lengths are available.



CAN-STACK LINEAR
ACTUATOR MOTORS

Connector

CONNECTOR:
JST PHR-4
TERMINAL: JST
SPH-002T-PO.5S



Part Number	Dimension "A"
56-1436-2	(24 ±0.39) 610 ±10 mm
56-1436-1	(12 ±0.39) 305 ±10 mm

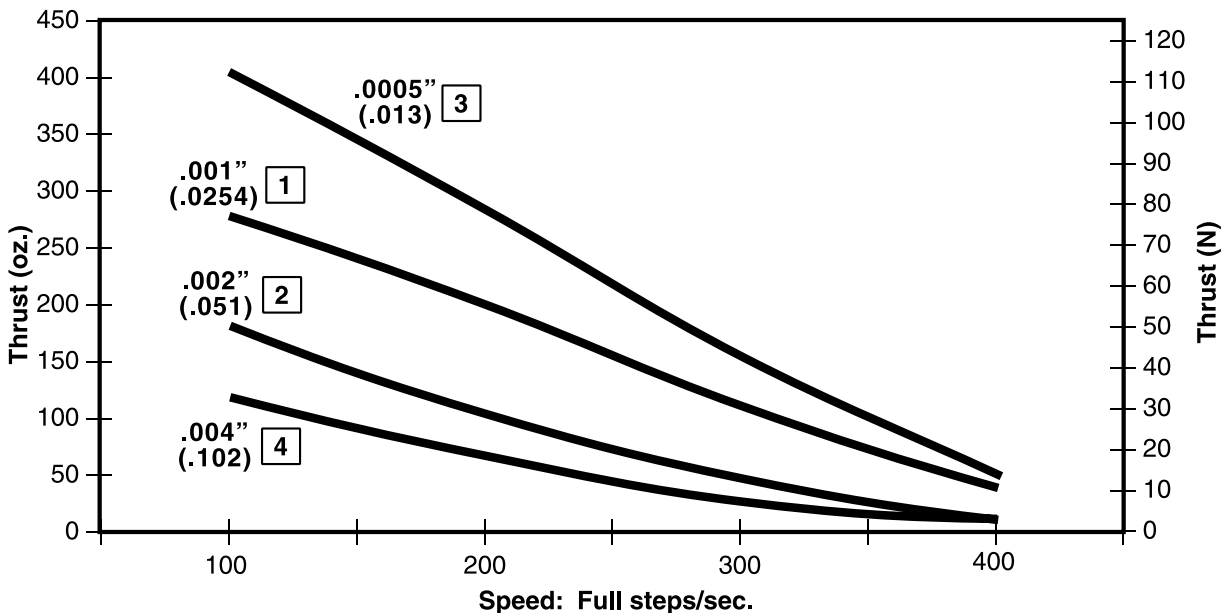
37000 G4 Series: Ø 36 mm (1.4-in) Can-Stack Performance Curves



Haydon Kerk Motion Solutions, Inc. • www.HaydonKerk.com • Phone: 800.243.2715 • International: 203.756.7441

THRUST vs. FULL STEPS/SECOND

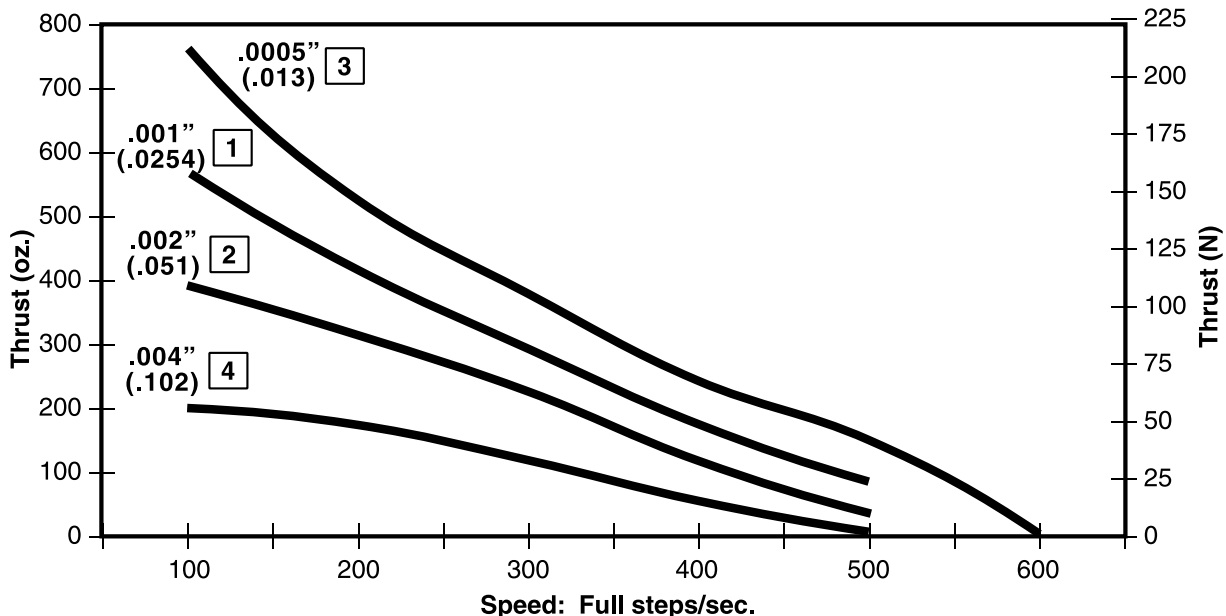
L/R Drive • Bipolar • 100% Duty Cycle



THRUST vs. FULL STEPS/SECOND

L/R Drive • Bipolar • 25% Duty Cycle

25% duty cycle is obtained by a special winding or by running a standard motor at double the rated voltage.



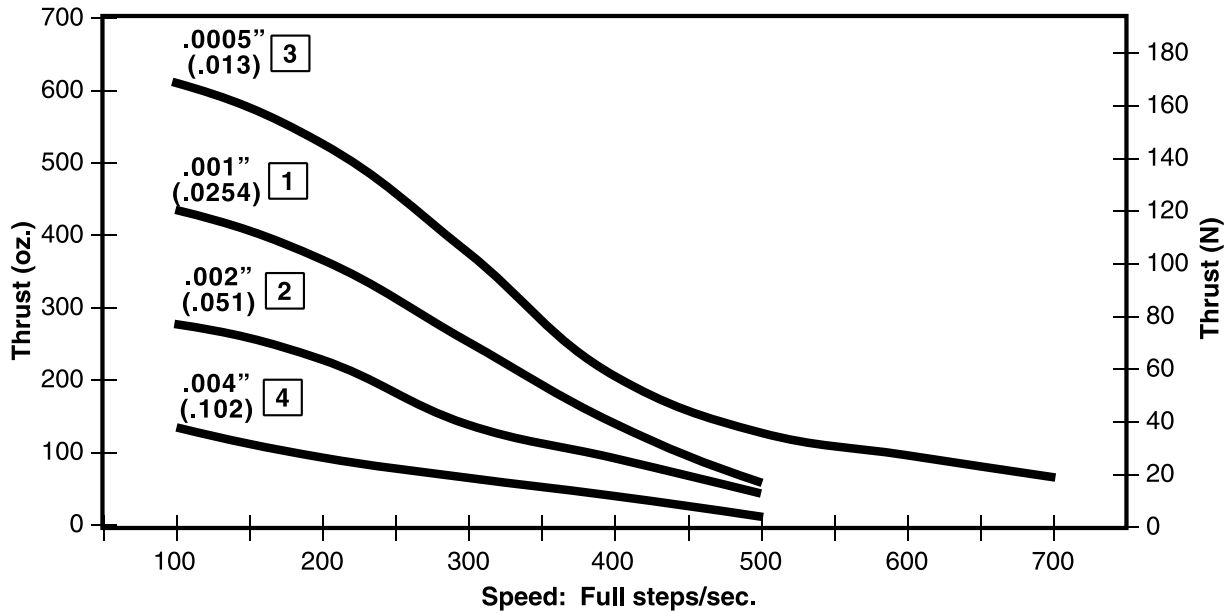
CAN-STACK LINEAR ACTUATOR MOTORS

NOTE: Ramping can increase the performance of a motor either by increasing the top speed or getting a heavier load accelerated up to speed faster. Also, deceleration can be used to stop the motor without overshoot.

Sold & Serviced By:
ELECTROMATE
 Toll Free Phone (877) SERV098
 Toll Free Fax (877) SERV099
www.electromate.com
sales@electromate.com

THRUST vs. FULL STEPS/SECOND

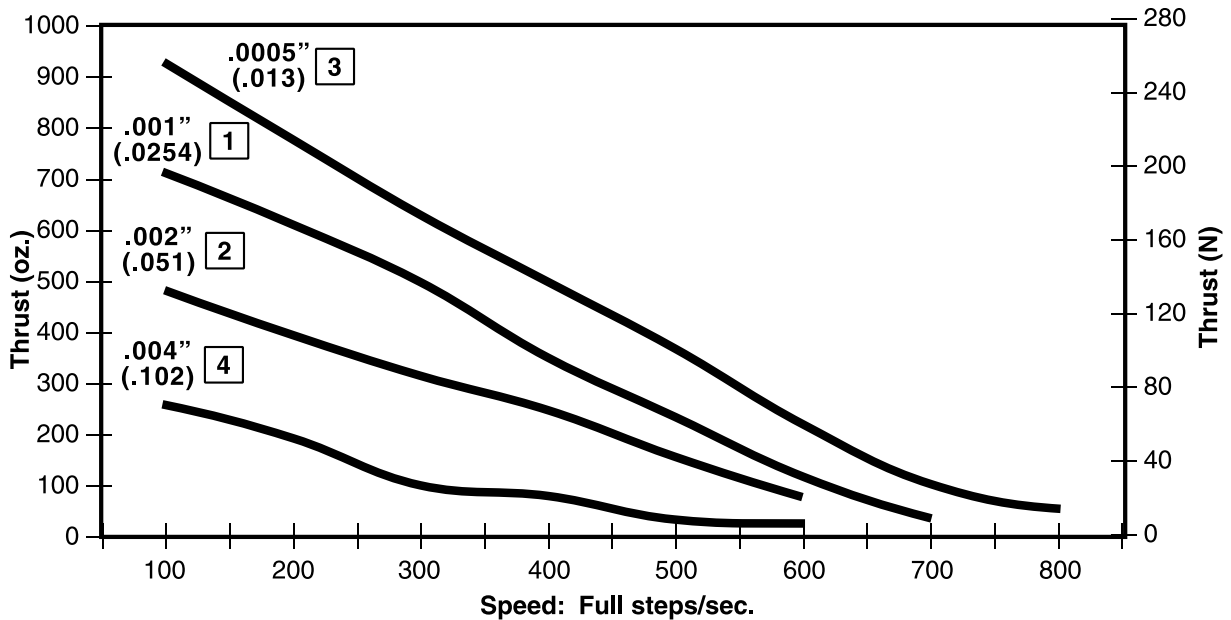
Chopper Drive • Bipolar • 100% Duty Cycle



THRUST vs. FULL STEPS/SECOND

Chopper Drive • Bipolar • 25% Duty Cycle

25% duty cycle is obtained by a special winding or by running a standard motor at double the rated current.



CAN-STACK LINEAR ACTUATOR MOTORS

NOTE: All chopper drive curves were created with a 5 Volt motor and a 40 Volt power supply.

Ramping can increase the performance of a motor either by increasing the top speed or getting a heavier load accelerated to speed faster. Also, deceleration can be used to stop the motor without overshoot.

15000 Series: Ø 15 mm (.59-in) Can-Stack



Haydon Kerk Motion Solutions, Inc. • www.HaydonKerk.com • Phone: 800.243.2715 • International: 203.756.7441



Haydon 15000 Series is the world's smallest commercial linear stepper motor.

The motor features bi-directional travel, ball bearings and a light weight. Available with captive lead-screw only.

Contact Haydon Kerk Motion Solutions, Inc. if external linear version is required.

NOTE: The 15000 Series utilizes a unique PART NUMBER CODE. Please indicate the Winding Voltage "V" with 04, 05 or 12.

Salient Characteristics

Ø 15 mm (.59-in) motor			
Wiring		Bipolar	
Part No.	Captive	LC1574W-V	
Step angle		18°	
Winding voltage	4 VDC	5 VDC	12 VDC
Current/phase	0.2 A	0.16 A	0.07 A
Resistance/phase	20 Ω	31 Ω	180 Ω
Inductance/phase	5.6 mH	8.7 mH	48.8 mH
Power consumption	1.6 W		
Insulation Class	Class B		
Weight	1 oz (28 g)		
Insulation resistance	100 MΩ		
Stroke	0.5-in. (12.7 mm)		

Linear Travel / Step		Order Code I.D.
Screw Ø.197" (5.0 mm)	inches	
	mm	W
.00079	.02	

Connectors for Series 15000

Standard Connectors Available	JST PHR-4
	12" (304.8 mm) flying leads
	Molex 51021-0400
Other Compatible Connectors	Molex 50-57-9404
	Molex 50-57-9404

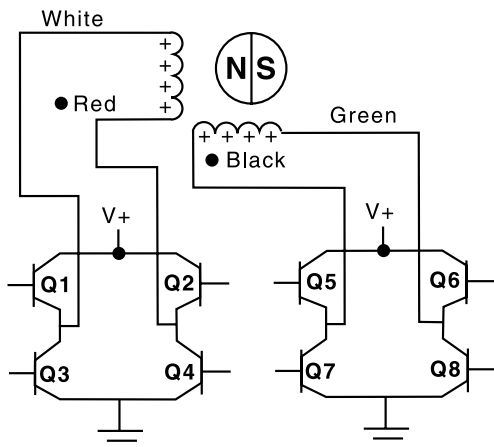
Flying Leads

Length		Order Code I.D. (add to end on I.D.)
inches	mm	
12.0	304.8	- 999

Special drive considerations may be necessary when leaving shaft fully extended or fully retracted.

Standard motors are Class B rated for maximum temperature of 130° C (266° F).

Wiring Diagram



Stepping Sequence

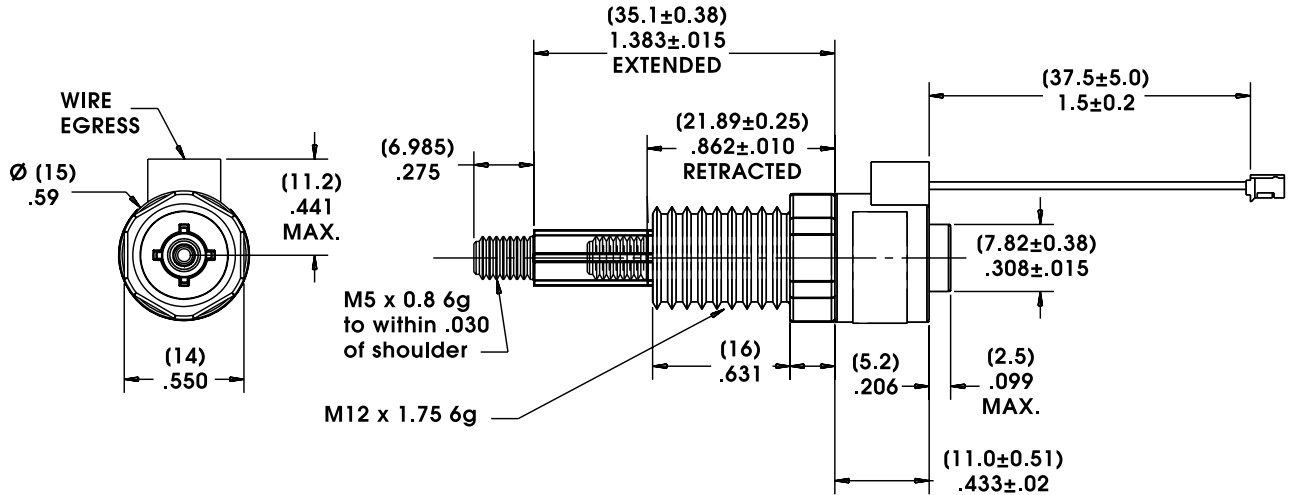
Bipolar	Q2-Q3	Q1-Q4	Q6-Q7	Q5-Q8
Step				
1	ON	OFF	ON	OFF
2	OFF	ON	ON	OFF
3	OFF	ON	OFF	ON
4	ON	OFF	OFF	ON

Extend ▼

Retract ▲

CAN-STACK LINEAR ACTUATOR MOTORS

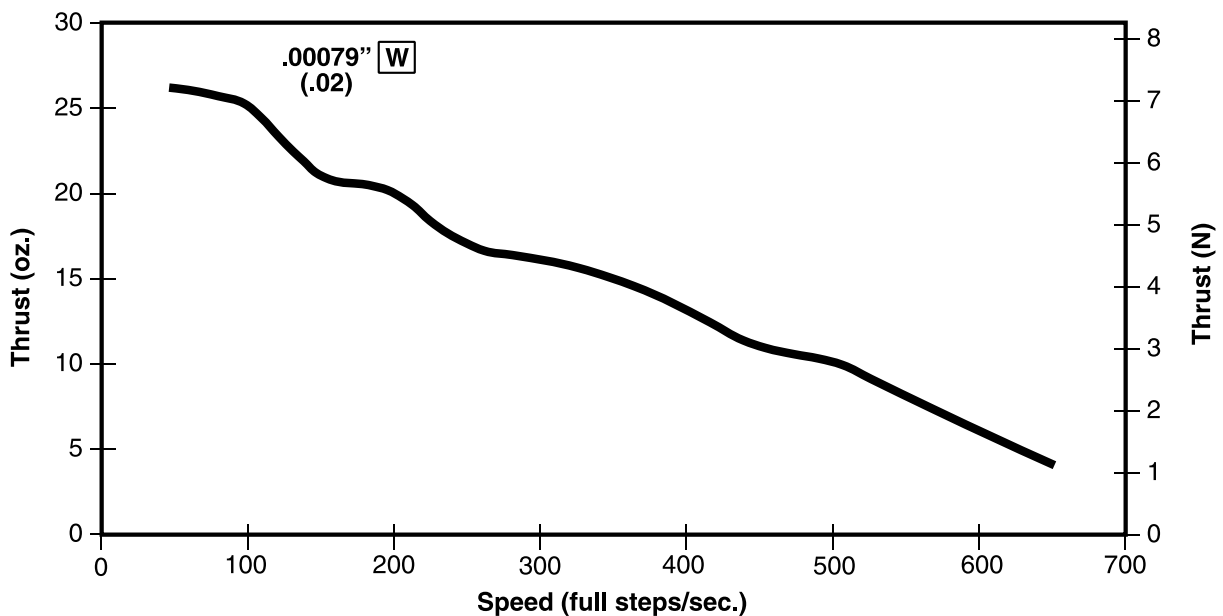
Captive Shaft (only)



15000 Series: Can-Stack Performance Curves

THRUST vs. FULL STEPS/SECOND

L/R Drive • Bipolar • 100% Duty Cycle



CAN-STACK LINEAR ACTUATOR MOTORS

20000 Series: Ø 20 mm (.79-in) Can-Stack

20000 Series Ø 20 mm (.79-in)

Engineered with unique features reliable long life and performance.



Other basic styles available...

- TFE lead-screw
- High Temperature Option

Salient Characteristics

Ø 20 mm (.79") motor		
Wiring		Bipolar
Part No.	Captive	2054X-V
	Non-captive	2084X-V
Step angle		15°
Winding voltage		5 VDC 12 VDC
Current/phase		270 mA 113 mA
Resistance/phase		18.5 Ω 106 Ω
Inductance/phase		5.5 mH 32 mH
Power consumption		2.7 W
Rotor inertia		0.5 gcm ²
Insulation Class		Class B
Weight		1 oz (28 g)
Insulation resistance		20 MΩ

Linear Travel / Step		Order Code I.D.
15° Step Angle		
inches	mm	
0.001	0.0254	1
0.002	0.051	2
0.004	0.102	4

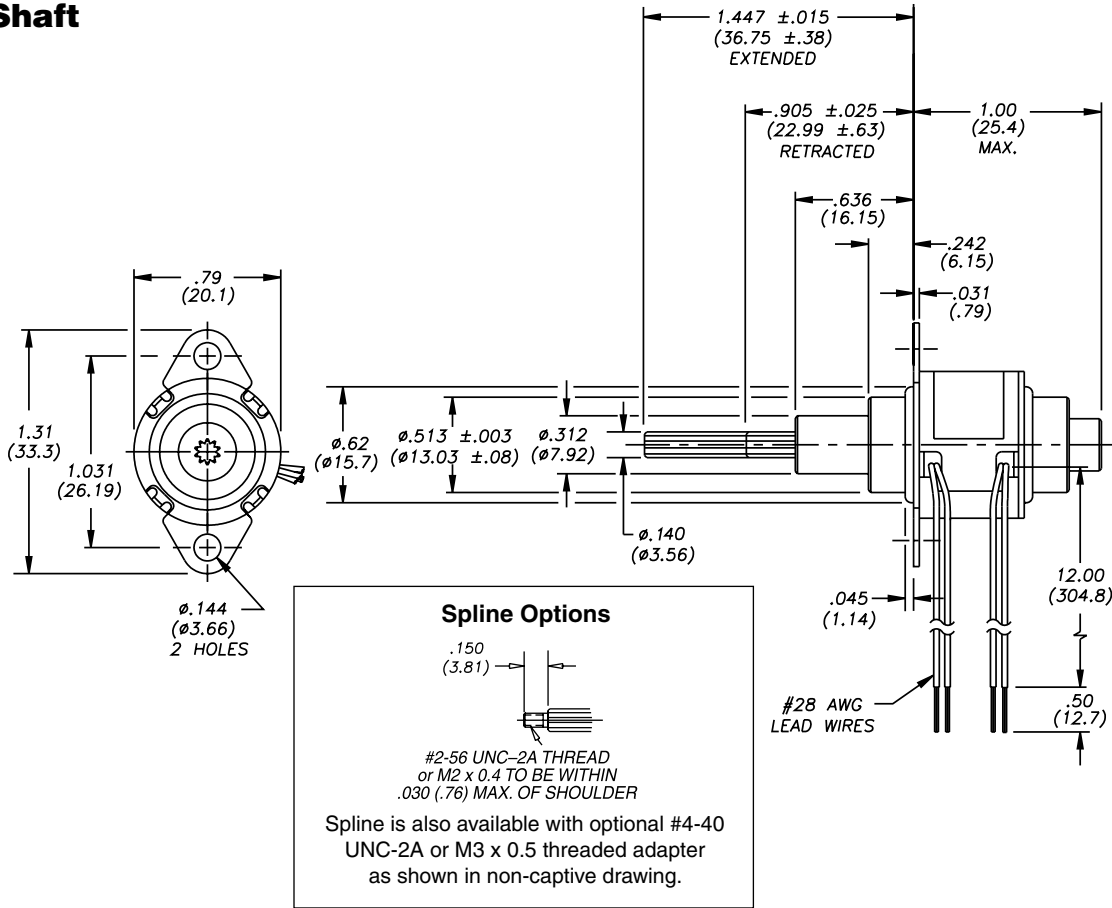
Special drive considerations may be necessary when leaving shaft fully extended or fully retracted.

Standard motors are Class B rated for maximum temperature of 130° C (266° F).

CAN-STACK LINEAR ACTUATOR MOTORS

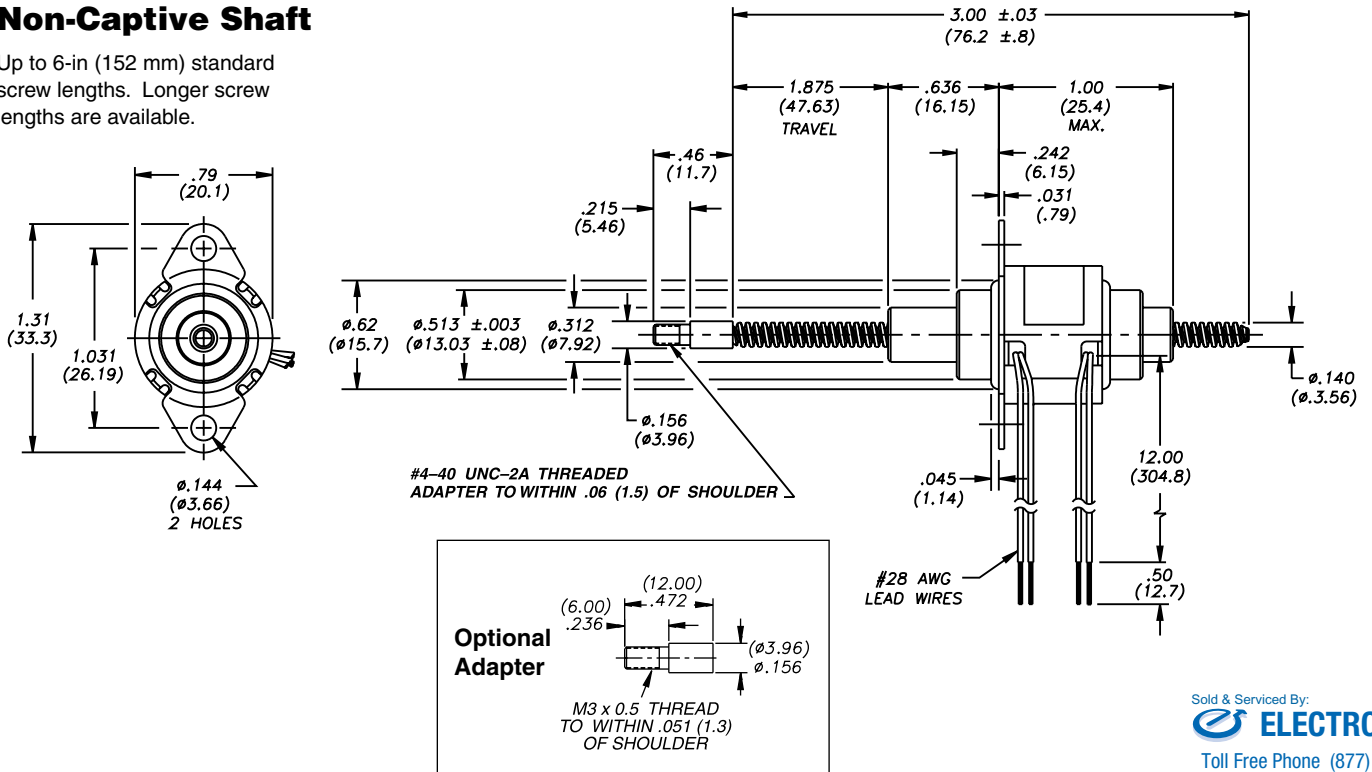
NOTE: External Linear not available

Captive Shaft



Non-Captive Shaft

Up to 6-in (152 mm) standard screw lengths. Longer screw lengths are available.

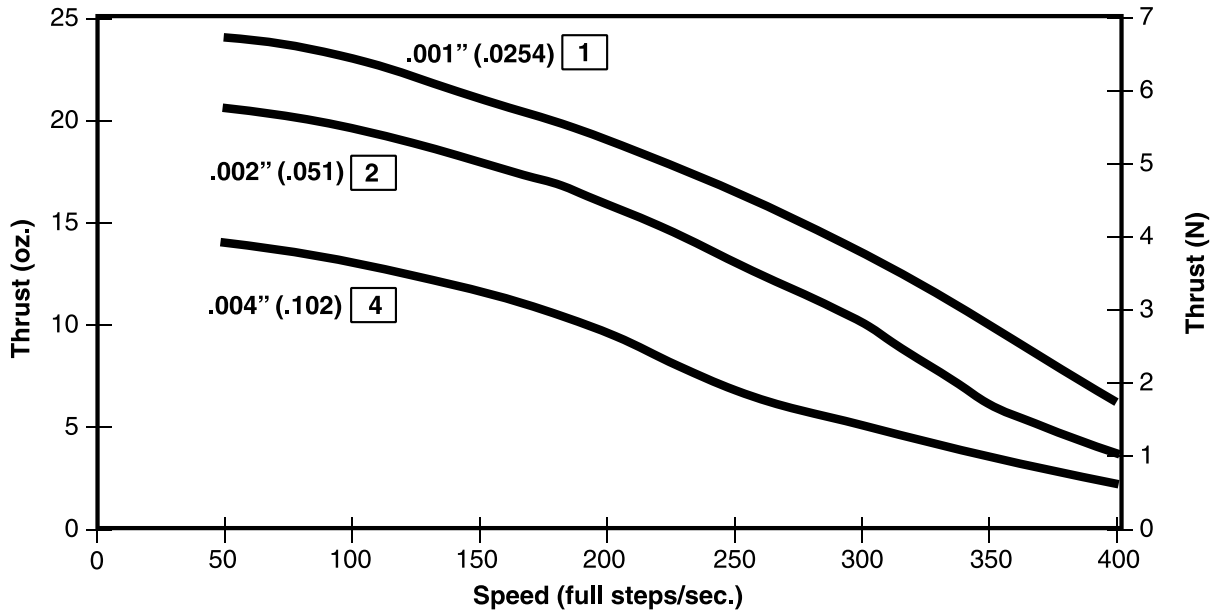


CAN-STACK LINEAR ACTUATOR MOTORS

20000 Series: Can-Stack Performance Curves

THRUST vs. FULL STEPS/SECOND

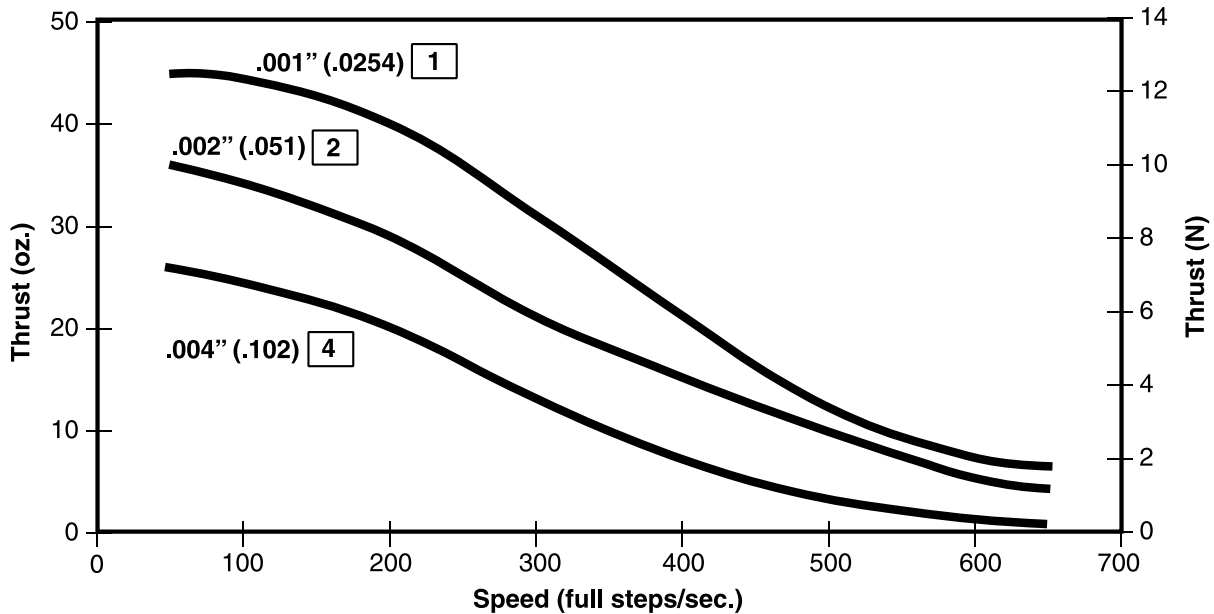
L/R Drive • Bipolar • 100% Duty Cycle



THRUST vs. FULL STEPS/SECOND

L/R Drive • Bipolar • 25% Duty Cycle

25% duty cycle is obtained by a special winding or by running a standard motor at double the rated voltage.

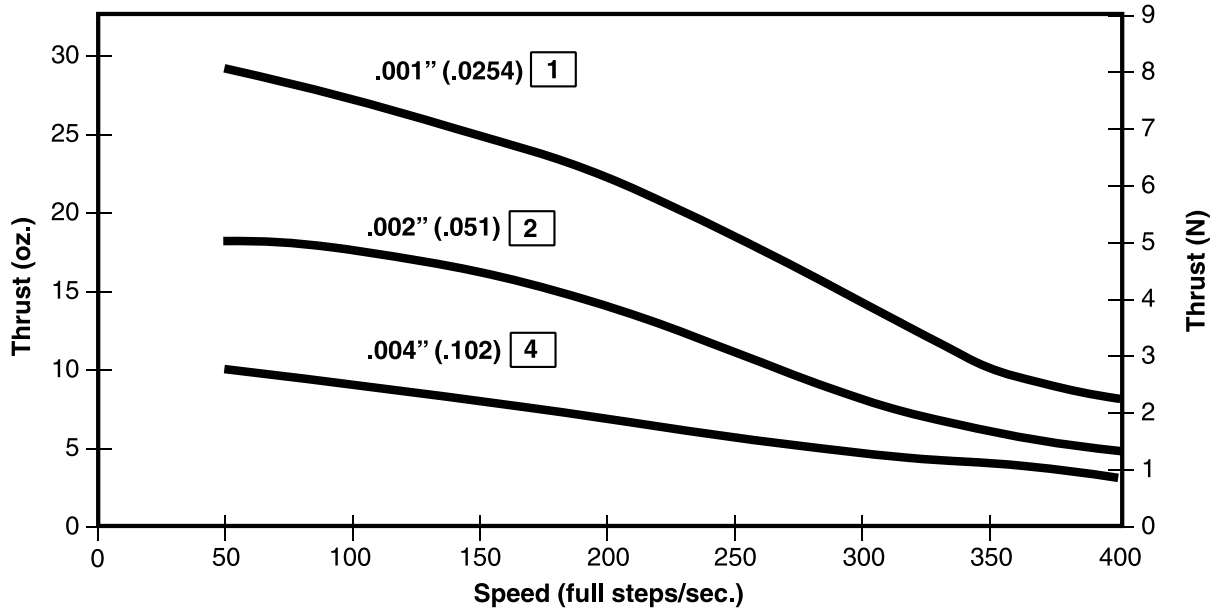


CAN-STACK LINEAR
ACTUATOR MOTORS

NOTE: Ramping can increase the performance of a motor either by increasing the top speed or getting a heavier load accelerated up to speed faster. Also, deceleration can be used to stop the motor without overshoot.

THRUST vs. FULL STEPS/SECOND

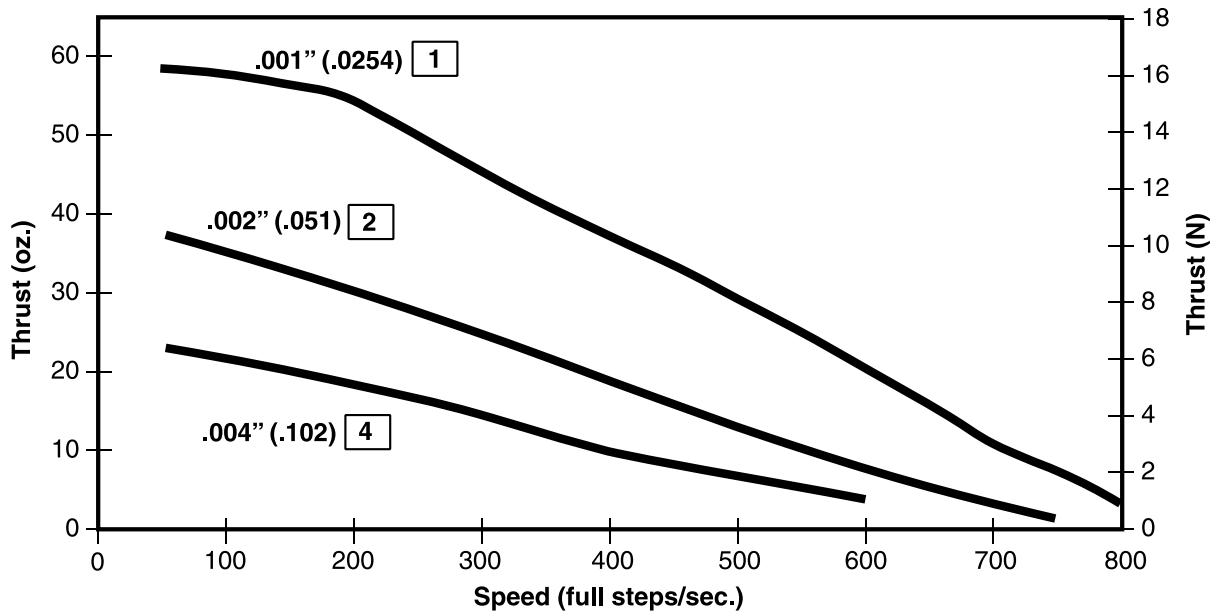
Chopper Drive • Bipolar • 100% Duty Cycle



THRUST vs. FULL STEPS/SECOND

Chopper Drive • Bipolar • 25% Duty Cycle

25% duty cycle is obtained by a special winding or by running a standard motor at double the rated current.



NOTE: All chopper drive curves were created with a 5 Volt motor and a 40 Volt power supply.

Ramping can increase the performance of a motor either by increasing the top speed or getting a heavier load accelerated up to speed faster. Also, deceleration can be used to stop the motor without overshoot.

Z20000 Series: Ø 20 mm (.79-in) Can-Stack



Haydon Kerk Motion Solutions, Inc. • www.HaydonKerk.com • Phone: 800.243.2715 • International: 203.756.7441

Z20000 Series economical stepper motors for high volume, applications.

Utilizing rare earth (neodymium) magnets, the Haydon™ Z-Series linear actuators consistently deliver exceptional performance at an economical price. Also available in a special “earless” configuration without a mounting flange, which is ideal for space constrained applications.

Three motors are available... captive, non-captive and external linear. All units are built with reliable dual ball bearings.

Salient Characteristics

Ø 20 mm (.79-in) Z-Series motor		
Wiring		Bipolar
Part No.	Captive	Z2054X-V
	Non-captive	Z2084X-V
	External*	Z2054X-V*
Step angle		15°
Winding voltage		5 VDC 12 VDC
Current/phase		250 mA 100 mA
Resistance/phase		20 Ω 118 Ω
Inductance/phase		5.4 mH 27 mH
Power consumption		2.5 W
Rotor inertia		1.13 gcm ²
Insulation Class		Class B
Weight		.85 oz. (24.1 g)
Insulation resistance		20 M Ω

Linear Travel / Step		Order Code I.D.
15° Step Angle		
inches	mm	
0.001	0.0254	1
0.002	0.051	2
0.004	0.102	4

Special drive considerations may be necessary when leaving shaft fully extended or fully retracted.

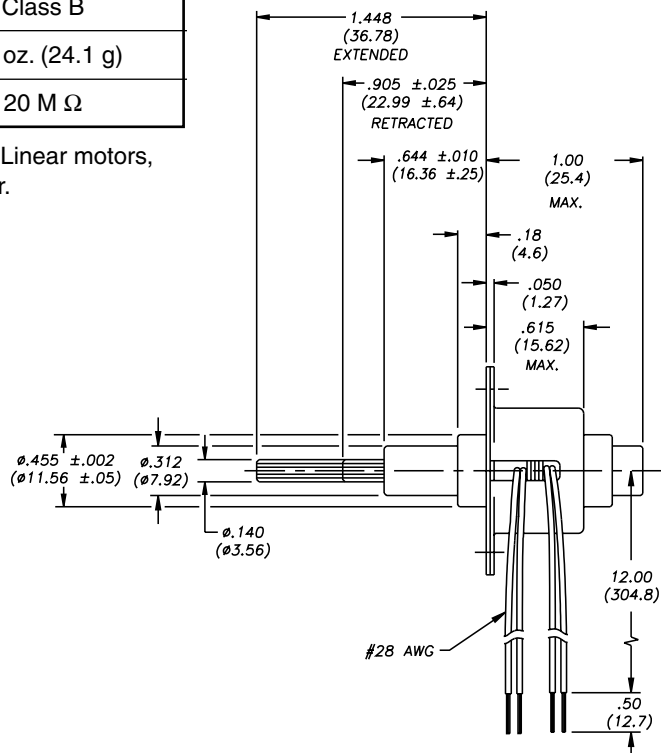
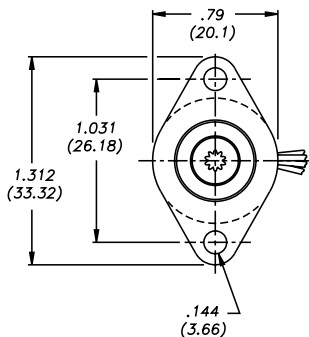
Standard motors are Class B rated for maximum temperature of 130° C (266° F).



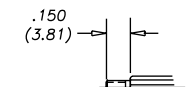
Earless Z20000 Series Actuator

* When ordering Z-Series External Linear motors, add -900 to end of the Part Number.

Captive Shaft



Spline Options



#2-56 UNC-2A THREAD or M2 x 0.4 TO BE WITHIN .030 (.76) MAX. OF SHOULDER

Spline is also available with optional #4-40 UNC-2A or M3 x 0.5 threaded adapter as shown in non-captive drawing.

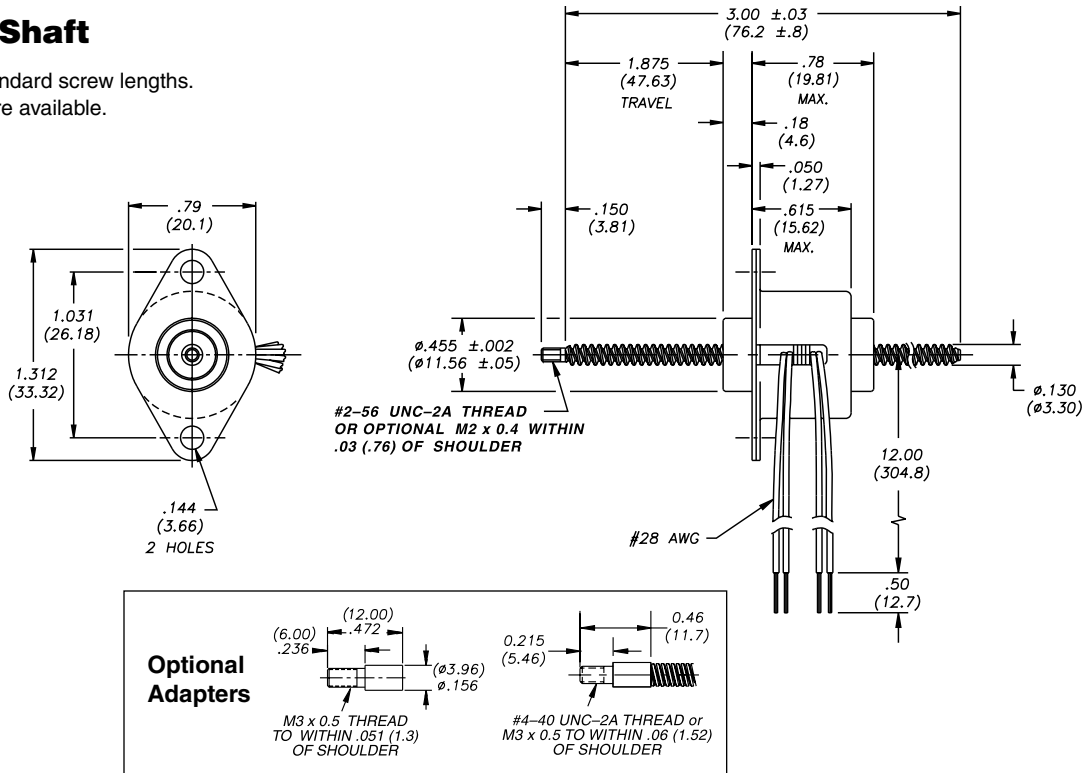


Toll Free Phone (877) SERV098
Toll Free Fax (877) SERV099
www.electromate.com
sales@electromate.com

CAN-STACK LINEAR ACTUATOR MOTORS

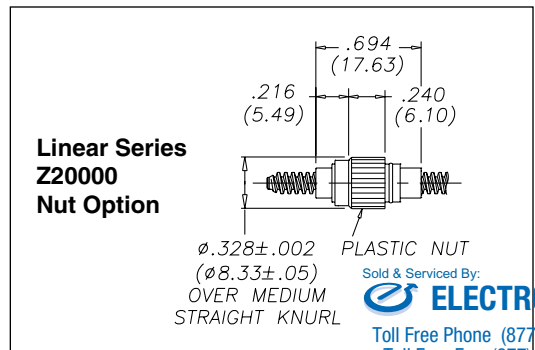
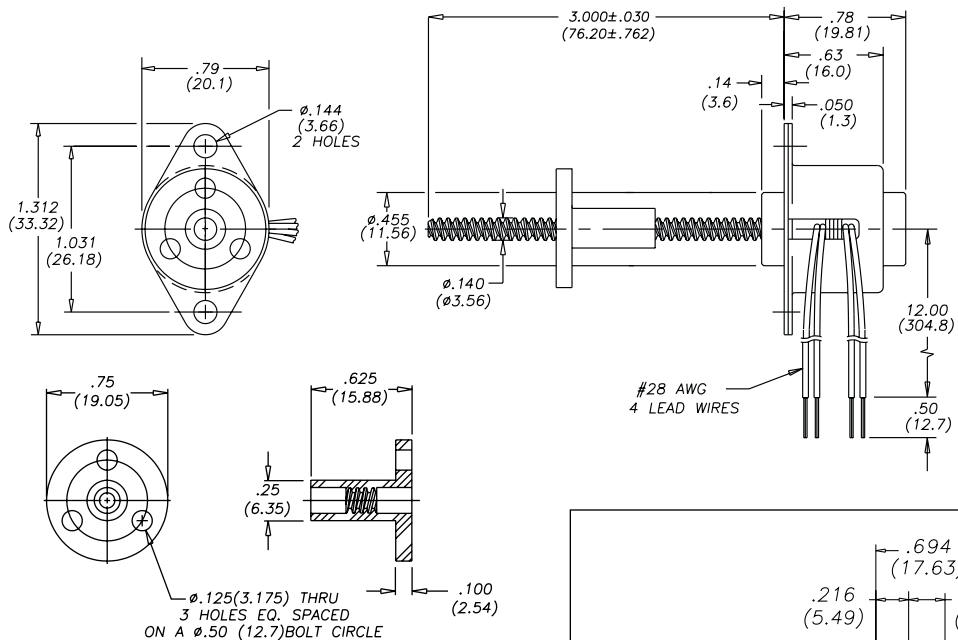
Non-Captive Shaft

Up to 6-in (152 mm) standard screw lengths.
Longer screw lengths are available.



External Linear

Up to 6-in (152 mm) standard screw lengths. Longer screw lengths are available.



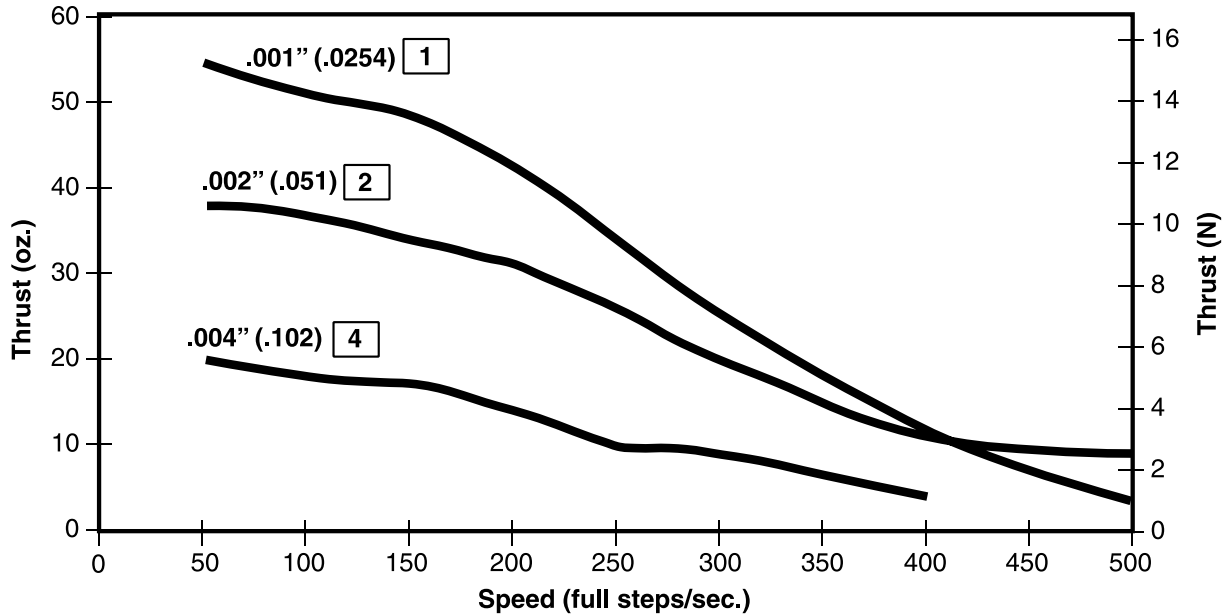
CAN-STACK LINEAR ACTUATOR MOTORS

Z20000 Series: Can-Stack Performance Curves

Haydon Kerk Motion Solutions, Inc. • www.HaydonKerk.com • Phone: 800.243.2715 • International: 203.756.7441

THRUST vs. FULL STEPS/SECOND

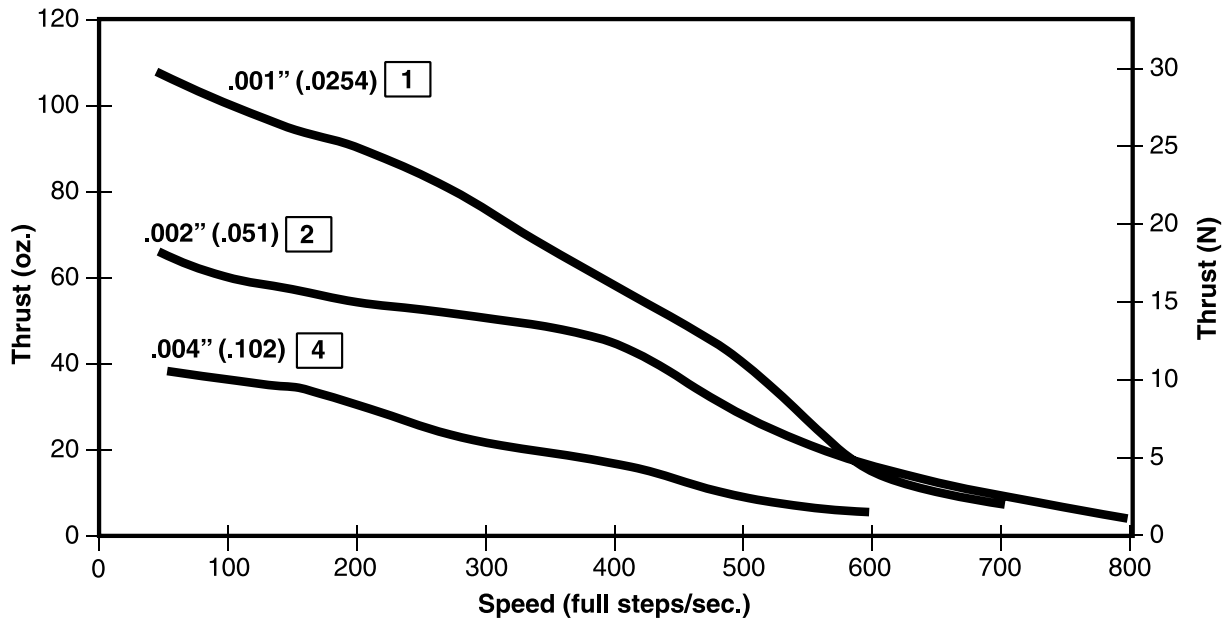
L/R Drive • Bipolar • 100% Duty Cycle



THRUST vs. FULL STEPS/SECOND

L/R Drive • Bipolar • 25% Duty Cycle

25% duty cycle is obtained by a special winding or by running a standard motor at double the rated voltage.

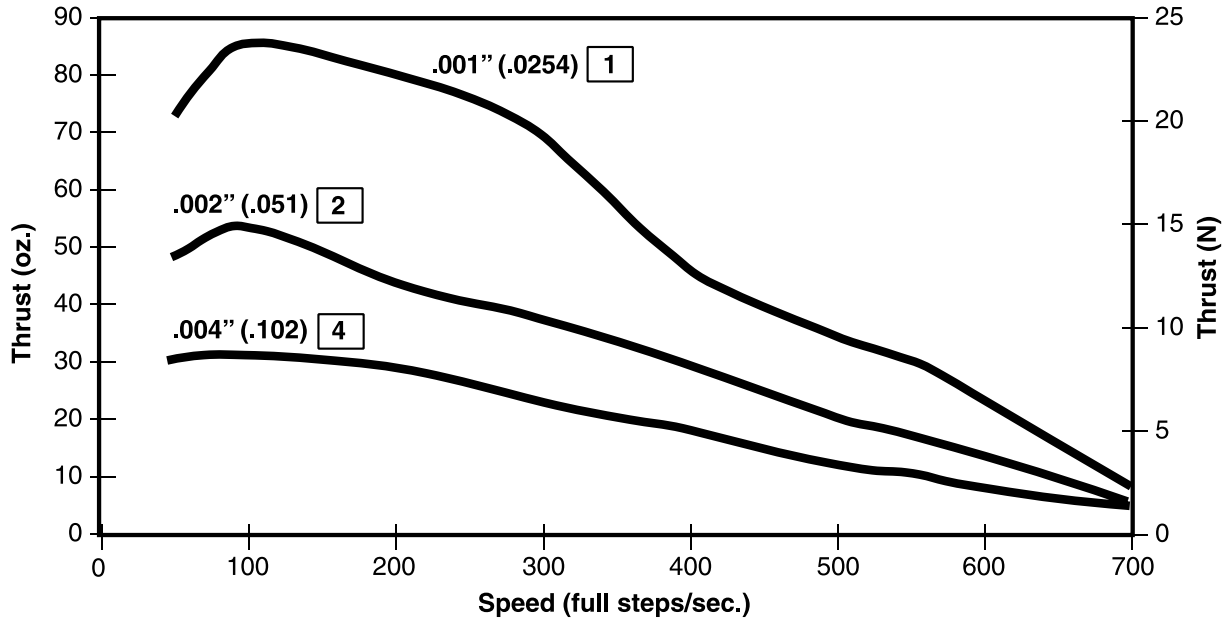


CAN-STACK LINEAR ACTUATOR MOTORS

NOTE: Ramping can increase the performance of a motor either by increasing the top speed or getting a heavier load accelerated up to speed faster. Also, deceleration can be used to stop the motor without overshoot.

THRUST vs. FULL STEPS/SECOND

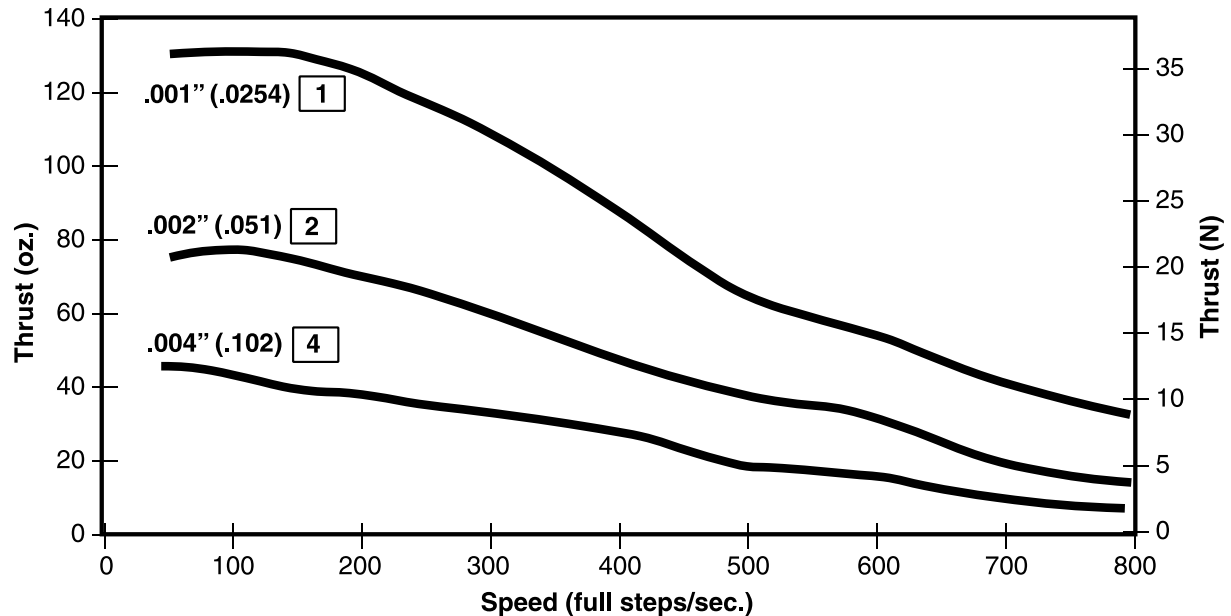
Chopper Drive • Bipolar • 100% Duty Cycle



THRUST vs. FULL STEPS/SECOND

Chopper Drive • Bipolar • 25% Duty Cycle

25% duty cycle is obtained by a special winding or by running a standard motor at double the rated current.



CAN-STACK LINEAR ACTUATOR MOTORS

NOTE: All chopper drive curves were created with a 5 Volt motor and a 40 Volt power supply.

Ramping can increase the performance of a motor either by increasing the top speed or getting a heavier load accelerated up to speed faster. Also, deceleration can be used to stop the motor without overshoot.

26000 Series: Ø 26 mm (1-in) Can-Stack

Haydon Kerk Motion Solutions, Inc. • www.HaydonKerk.com • Phone: 800.243.2715 • International: 203.756.7441

**An industry standard...
 high versatility, robust performance.**

Salient Characteristics

Ø 26 mm (1-in) motor					
Wiring		Bipolar			
Part No.	Captive	2644X-V	2654X-V		
	Non-captive	2634X-V	2684X-V		
	External	E2644X-V	E2654X-V		
Step angle		7.5°		15°	
Winding voltage		5 VDC	12 VDC	5 VDC	12 VDC
Current/phase		340 mA	140 mA	340 mA	140 mA
Resistance/phase		14.7 Ω	84 Ω	14.7 Ω	84 Ω
Inductance/phase		8.5 mH	55 mH	6.7 mH	44 mH
Power consumption		3.4 W			
Rotor inertia		1.2 gcm ²			
Insulation Class		Class B			
Weight		1.2 oz (35 g)			
Insulation resistance		20 MΩ			



Other 26000 Series styles available...

- Z-Series
- High Resolution Series
- Long-Stroke Metric Series
- TFE lead-screw
- High Temperature Option

Step	Linear Travel/Step		Order Code I.D.
	inches	mm	
7.5° Angle	0.0005	0.013	3
	0.001	0.0254	1
	0.002	0.051	2
15° Angle	0.001	0.0254	1
	0.002	0.051	2
	0.004	0.102	4

Special drive considerations may be necessary when leaving shaft fully extended or fully retracted.

Standard motors are Class B rated for maximum temperature of 130° C (266° F).

CAN-STACK LINEAR ACTUATOR MOTORS

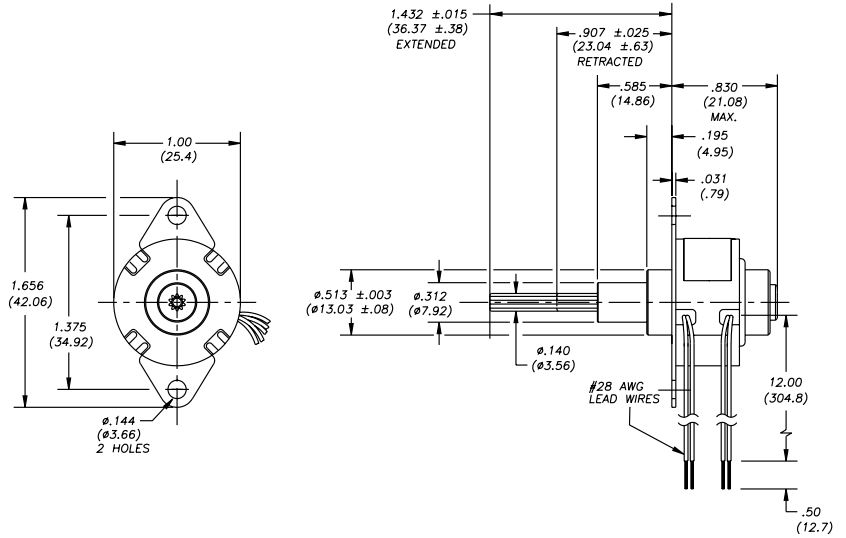
Ø 26 mm (1-in) motor					
Wiring		Unipolar**			
Part No.	Captive	2646X-V	2656X-V		
	Non-captive	2636X-V	2686X-V		
	External	E2646X-V	E2656X-V		
Step angle		7.5°		15°	
Winding voltage		5 VDC	12 VDC	5 VDC	12 VDC
Current/phase		340 mA	140 mA	340 mA	140 mA
Resistance/phase		14.7 Ω	84 Ω	14.7 Ω	84 Ω
Inductance/phase		4.3 mH	24 mH	3.4 mH	19 mH
Power consumption		3.4 W			
Rotor inertia		1.2 gcm ²			
Insulation Class		Class B			
Weight		1.2 oz (35 g)			
Insulation resistance		20 MΩ			

* Unipolar drive gives approximately 30% less thrust than bipolar drive.

Captive Lead-screw

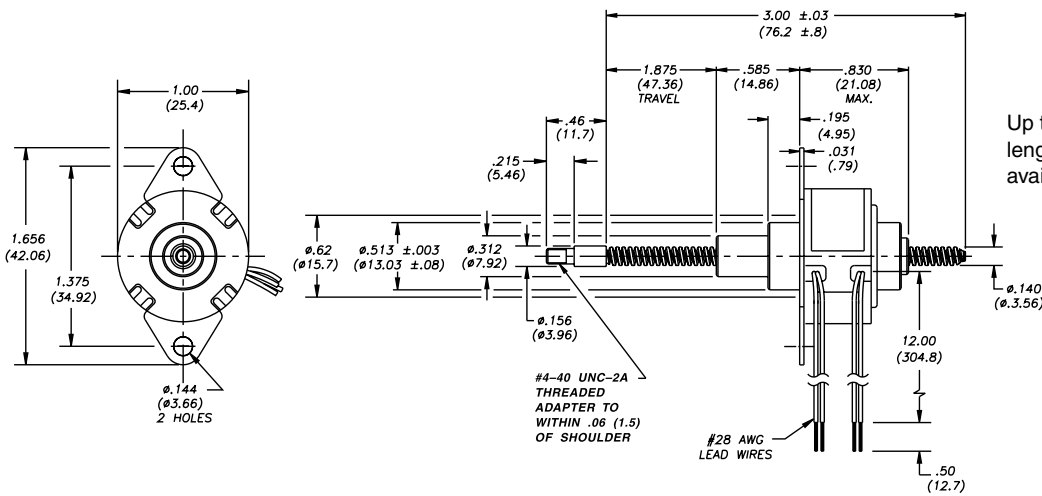
Spline Options

Spline is also available with optional #4-40 UNC-2A or M3 x 0.5 threaded adapter as shown in non-captive drawing.



Non-Captive Lead-screw

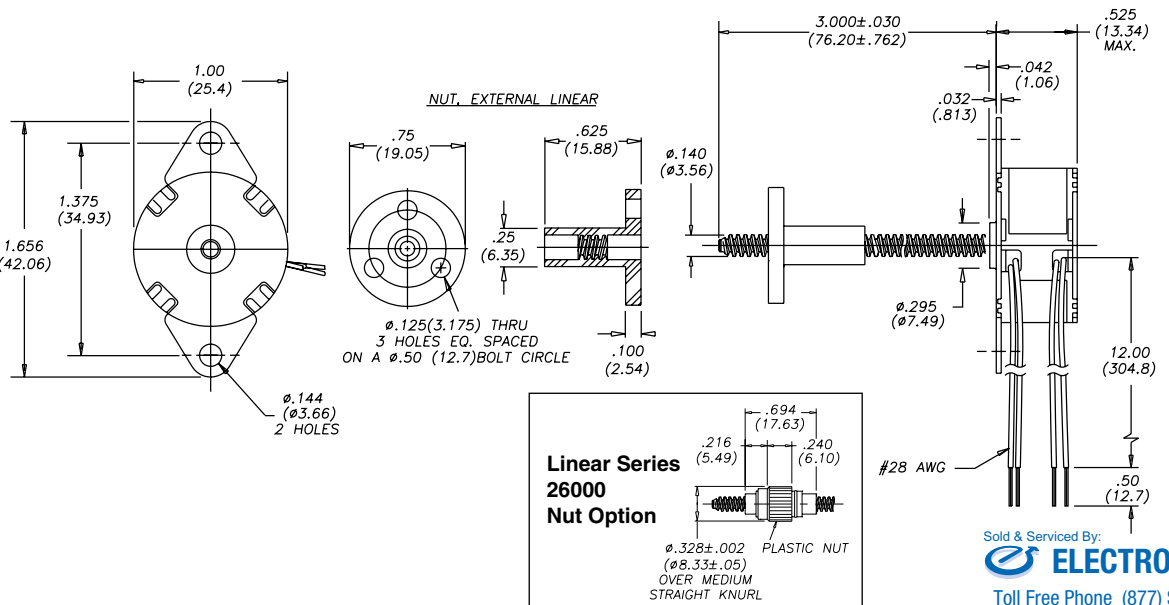
Up to 6-in (152 mm) standard screw lengths. Longer screw lengths are available.



Optional Adapter

External Linear

Up to 6-in (152 mm) standard screw lengths. Longer screw lengths are available.

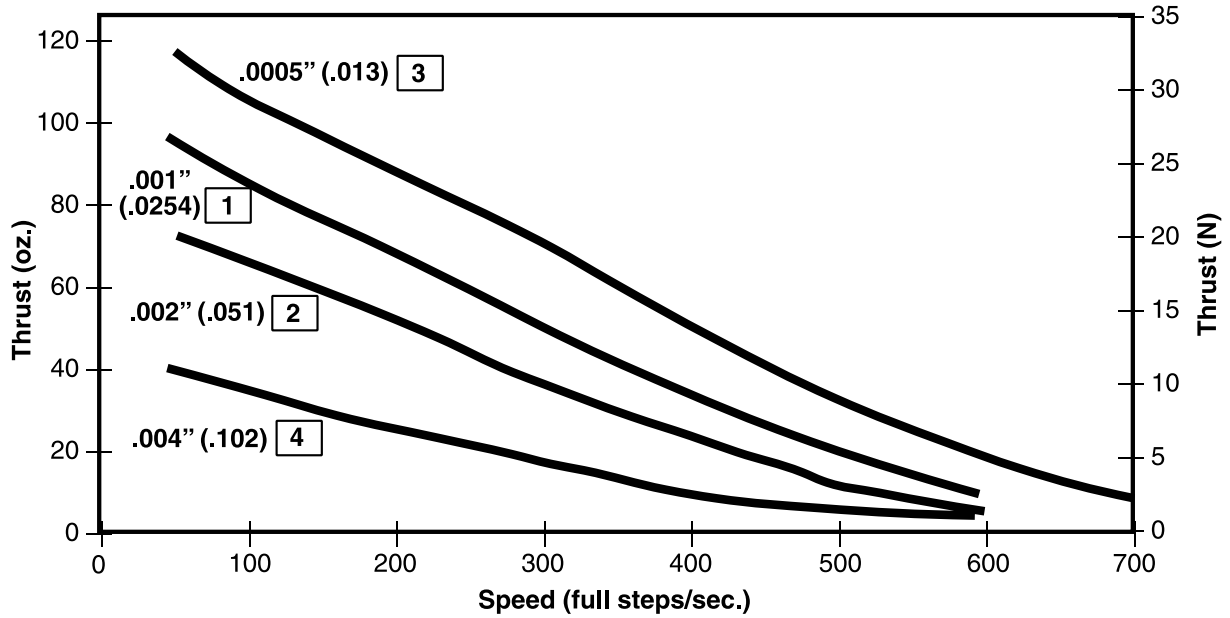


CAN-STACK LINEAR ACTUATOR MOTORS

26000 Series: Can-Stack Performance Curves

THRUST vs. FULL STEPS/SECOND

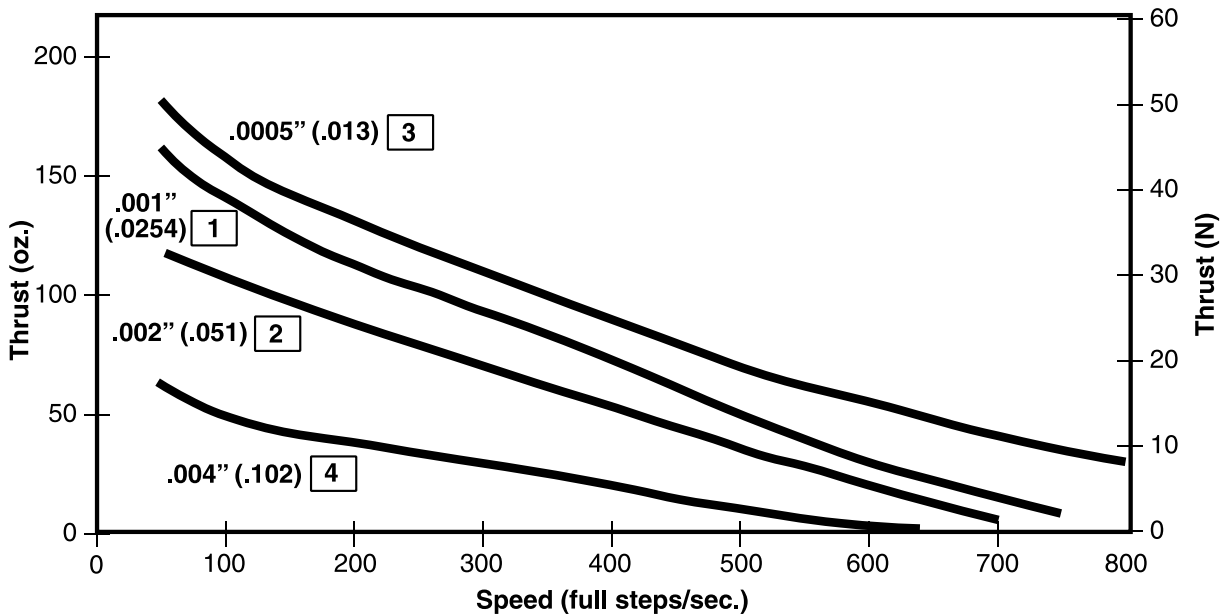
L/R Drive • Bipolar • 100% Duty Cycle



THRUST vs. FULL STEPS/SECOND

L/R Drive • Bipolar • 25% Duty Cycle

25% duty cycle is obtained by a special winding or by running a standard motor at double the rated voltage.

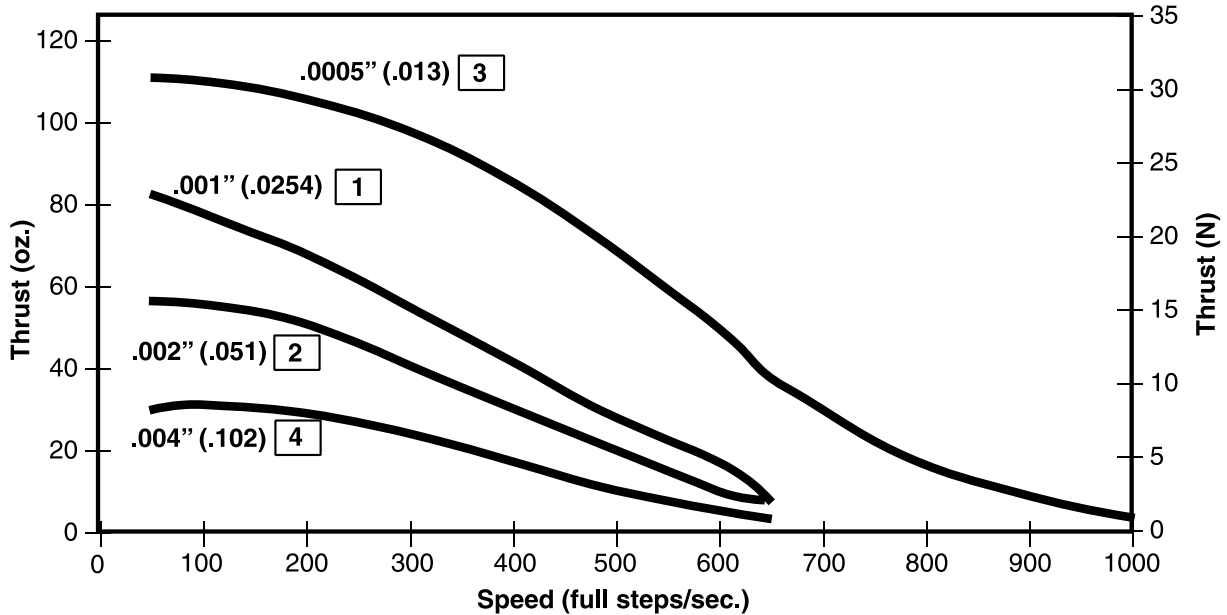


CAN-STACK LINEAR
ACTUATOR MOTORS

NOTE: Ramping can increase the performance of a motor either by increasing the top speed or getting a heavier load accelerated up to speed faster. Also, deceleration can be used to stop the motor without overshoot.

THRUST vs. FULL STEPS/SECOND

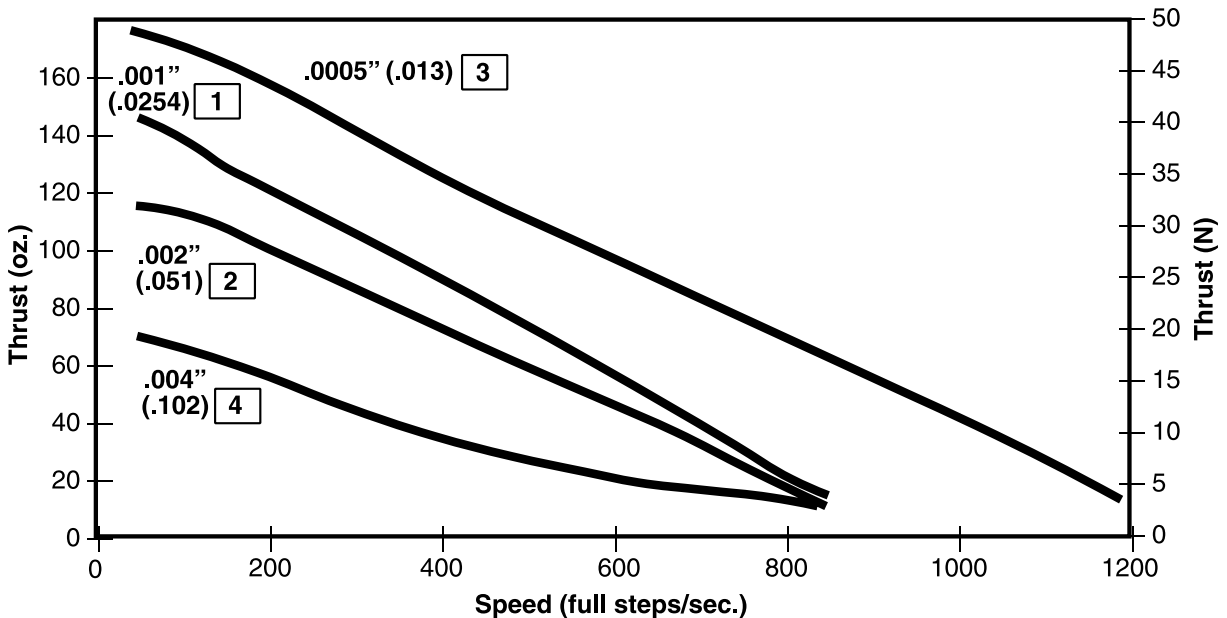
Chopper Drive • Bipolar • 100% Duty Cycle



THRUST vs. FULL STEPS/SECOND

Chopper Drive • Bipolar • 25% Duty Cycle

25% duty cycle is obtained by a special winding or by running a standard motor at double the rated current.



CAN-STACK LINEAR ACTUATOR MOTORS

NOTE: All chopper drive curves were created with a 5 Volt motor and a 40 Volt power supply.

Ramping can increase the performance of a motor either by increasing the top speed or getting a heavier load accelerated up to speed faster. Also, deceleration can be used to stop the motor without overshoot.

Z26000 Series: Ø 26 mm (1-in) Can-Stack

Haydon Kerk Motion Solutions, Inc. • www.HaydonKerk.com • Phone: 800.243.2715 • International: 203.756.7441

A Ø 26 mm (1-in) stepper motor designed to accommodate high volume applications.

Salient Characteristics

Ø 26 mm (1-in) Z-Series motor					
Wiring		Bipolar			
Part No.	Captive	Z2644X-V	Z2654X-V		
	Non-captive	Z2634X-V	Z2684X-V		
	External**	Z2644X-V**	Z2654X-V**		
Step angle		7.5°		15°	
Winding voltage		5 VDC	12 VDC	5 VDC	12 VDC
Current/phase		340 mA	140 mA	340 mA	140 mA
Resistance/phase		14.7 Ω	84 Ω	14.7 Ω	84 Ω
Inductance/phase		8.5 mH	55 mH	6.7 mH	44 mH
Power consumption		3.4 W			
Rotor inertia		1.4 gcm ²			
Insulation Class		Class B			
Weight		1.2 oz (34 g)			
Insulation resistance		20 MΩ			

Ø 26 mm (1-in) Z-Series motor					
Wiring		Unipolar*			
Part No.	Captive	Z2646X-V	Z2656X-V		
	Non-captive	Z2636X-V	Z2686X-V		
	External**	Z2646X-V**	Z2656X-V**		
Step angle		7.5°		15°	
Winding voltage		5 VDC	12 VDC	5 VDC	12 VDC
Current/phase		340 mA	140 mA	340 mA	140 mA
Resistance/phase		14.7 Ω	84 Ω	14.7 Ω	84 Ω
Inductance/phase		4.3 mH	24 mH	3.4 mH	19 mH
Power consumption		3.4 W			
Rotor inertia		1.4 gcm ²			
Insulation Class		Class B			
Weight		1.2 oz (34 g)			
Insulation resistance		20 MΩ			

* Unipolar drive gives approximately 40% less thrust vs. bipolar drive.

** When ordering Z-Series External Linear motors, add -900 to end of the Part Number.



The Z26000 Series motors are ideal for high volume. Utilizing rare earth (neodymium) magnets. Also, available in a special "earless" configuration without a mounting flange.

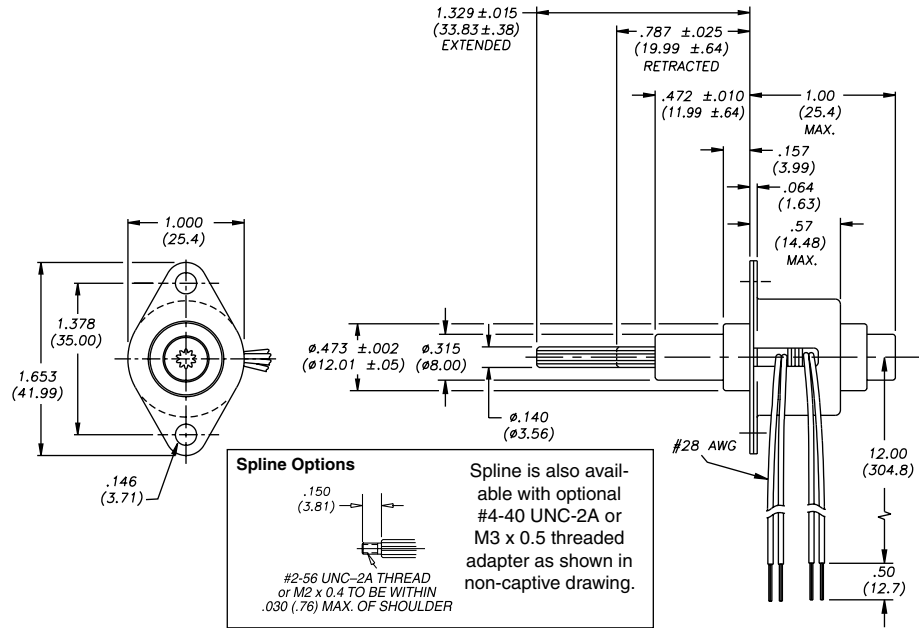
All units are built with durable dual ball bearings.

Step	Linear Travel/Step		Order Code I.D.
	inches	mm	
7.5° Angle	0.0005	0.013	3
	0.001	0.0254	1
	0.002	0.051	2
15° Angle	0.00164	0.04166	AS
	0.002	0.051	2
	0.004	0.102	4

Special drive considerations may be necessary when leaving shaft fully extended or fully retracted.

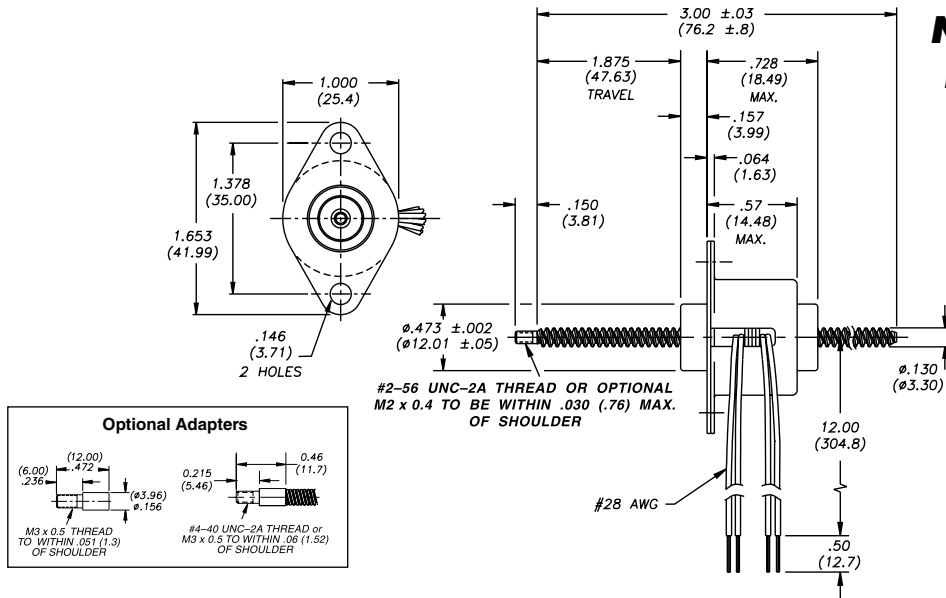
Standard motors are Class B rated for maximum temperature of 130° C (266° F).

Captive Lead-screw



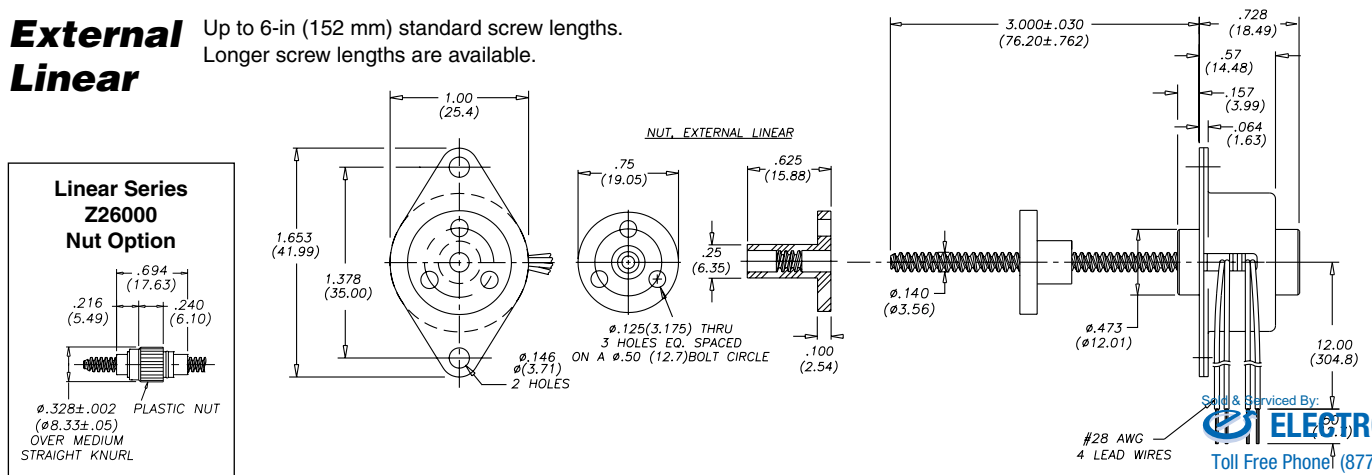
Non-Captive Lead-screw

Up to 6-in (152 mm) standard screw lengths. Longer screw lengths are available.



External Linear

Up to 6-in (152 mm) standard screw lengths. Longer screw lengths are available.

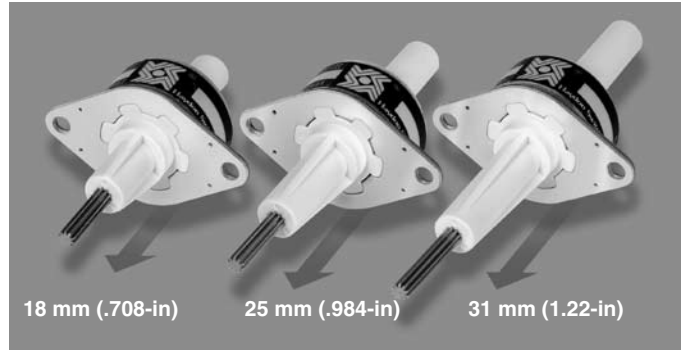


CAN-STACK LINEAR ACTUATOR MOTORS

Z26000 Series: Extended Stroke Can-Stack

Haydon Kerk Motion Solutions, Inc. • www.HaydonKerk.com • Phone: 800.243.2715 • International: 203.756.7441

Specially engineered Z26000 (Ø 26 mm, 1-in) linear actuators that extend captive lead-screw travel beyond 12.7 mm (1/2-in).



Salient Characteristics

Ø 26 mm (1-in) Z-Series motor				
Wiring		Bipolar		
Part No.	Captive	Z2644X-V		Z2654X-V
Step angle		7.5°		15°
Winding voltage	5 VDC	12 VDC	5 VDC	12 VDC
Current/phase	340 mA	140 mA	340 mA	140 mA
Resistance/phase	14.7 Ω	84 Ω	14.7 Ω	84 Ω
Inductance/phase	8.5 mH	55 mH	6.7 mH	44 mH
Power consumption	3.4 W			
Rotor inertia	1.4 gcm ²			
Insulation Class	Class B			
Weight	1.2 oz (34 g)			
Insulation resistance	20 MΩ			

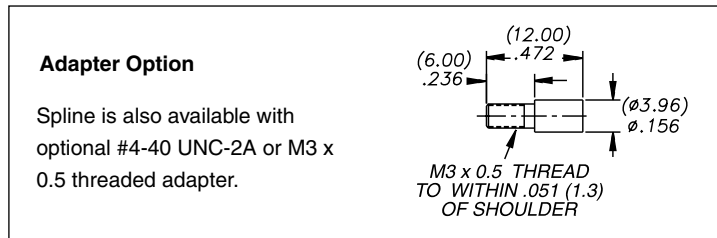
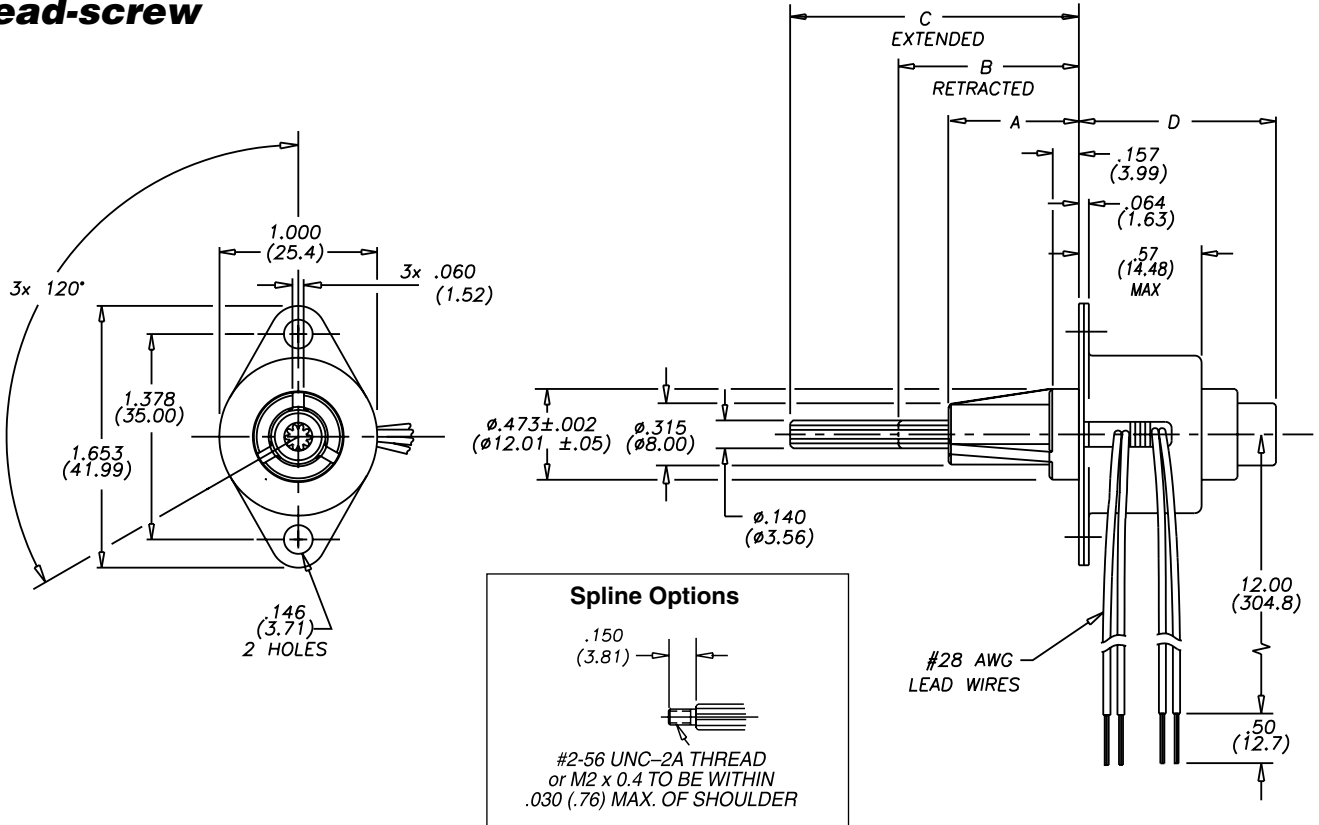
Step	Linear Travel/Step		Order Code I.D.
	inches	mm	
7.5° Angle	0.0005	0.013	3
	0.001	0.0254	1
	0.002	0.051	2
15° Angle	0.00164	0.04166	AS
	0.002	0.051	2
	0.004	0.102	4

Standard motors are Class B rated for maximum temperature of 130° C (266° F).

Ø 26 mm (1-in) Z-Series motor				
Wiring		Unipolar*		
Part No.	Captive	Z2646X-V		Z2656X-V
Step angle		7.5°		15°
Winding voltage	5 VDC	12 VDC	5 VDC	12 VDC
Current/phase	340 mA	140 mA	340 mA	140 mA
Resistance/phase	14.7 Ω	84 Ω	14.7 Ω	84 Ω
Inductance/phase	4.3 mH	24 mH	3.4 mH	19 mH
Power consumption	3.4 W			
Rotor inertia	1.4 gcm ²			
Insulation Class	Class B			
Weight	1.2 oz (34 g)			
Insulation resistance	20 MΩ			

* Unipolar drive gives approximately 40% less thrust vs. bipolar drive.

**Captive
Lead-screw**



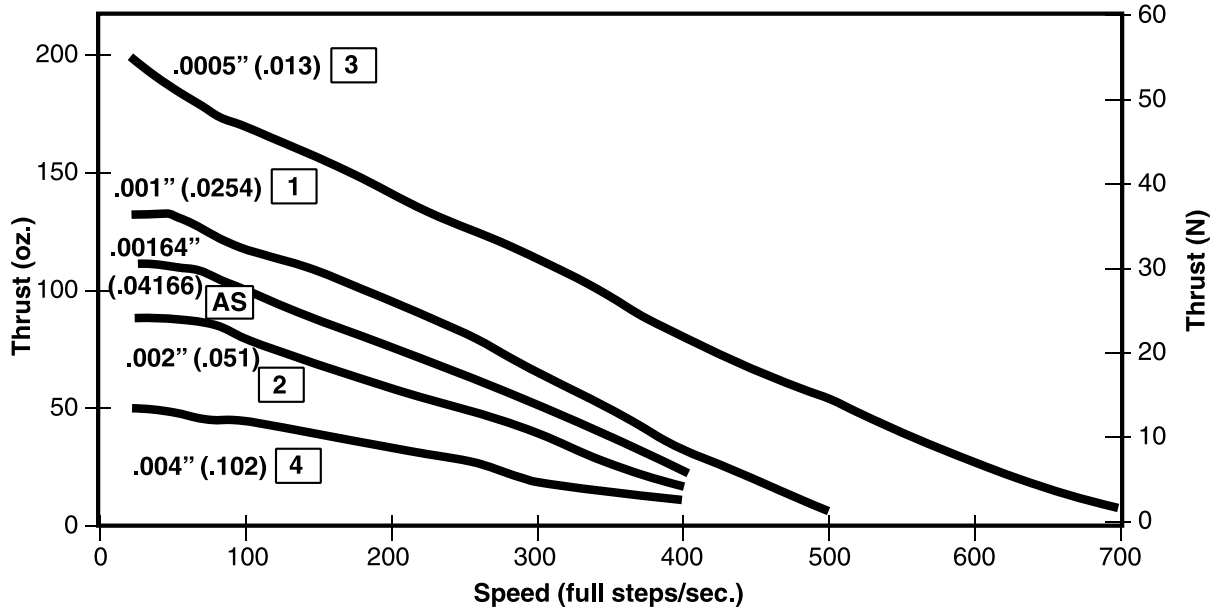
Stroke (min.)	Front Sleeve A	Retracted B	Extended C	Rear Sleeve D	Suffix Code
.708 (18 mm)	.679±.010 (17.25±.25)	.994±.025 (25.25±.64)	1.743±.015 (44.27±.38)	1.21 max. (30.7 max.)	- 907
.984 (25 mm)	.955±.010 (24.26±.25)	1.269±.025 (32.23±.64)	2.293±.015 (58.24±.38)	1.48 max. (37.6 max.)	- 910
1.22 (31 mm)	1.191±.010 (30.25±.25)	1.505±.025 (38.23±.64)	2.765±.015 (70.23±.38)	1.72 max. (43.7 max.)	- 912

Z26000 Series: Can-Stack Performance Curves

Haydon Kerk Motion Solutions, Inc. • www.HaydonKerk.com • Phone: 800.243.2715 • International: 203.756.7441

THRUST vs. FULL STEPS/SECOND

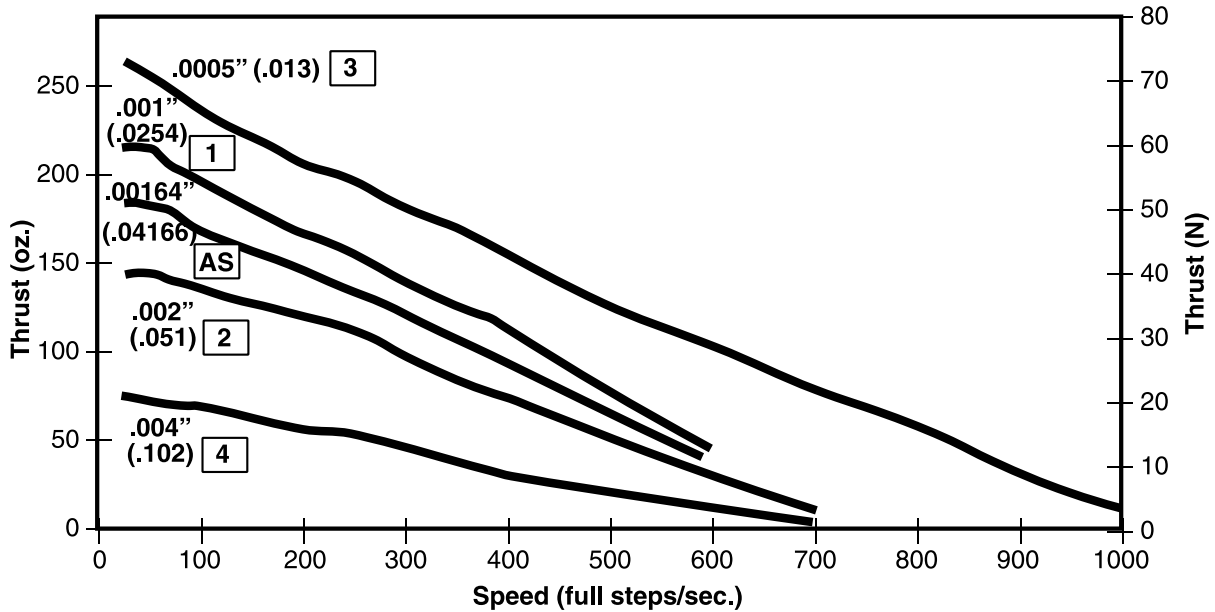
L/R Drive • Bipolar • 100% Duty Cycle



THRUST vs. FULL STEPS/SECOND

L/R Drive • Bipolar • 25% Duty Cycle

25% duty cycle is obtained by a special winding or by running a standard motor at double the rated voltage.

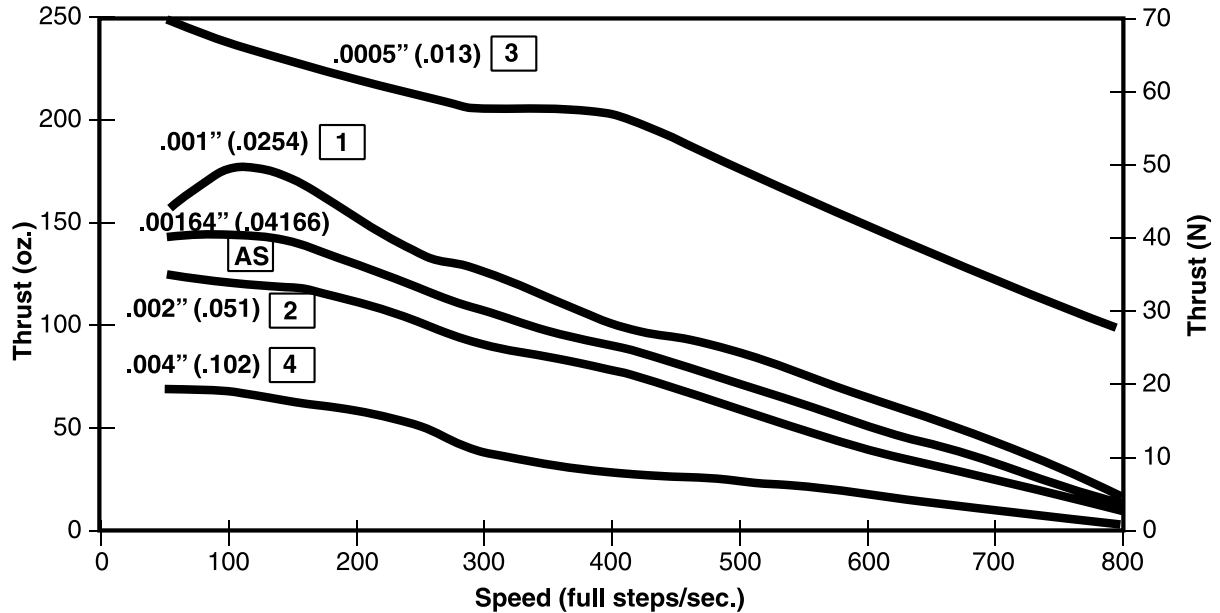


NOTE: Ramping can increase the performance of a motor either by increasing the top speed or getting a heavier load accelerated up to speed faster. Also, deceleration can be used to stop the motor without overshoot.

CAN-STACK LINEAR ACTUATOR MOTORS

THRUST vs. FULL STEPS/SECOND

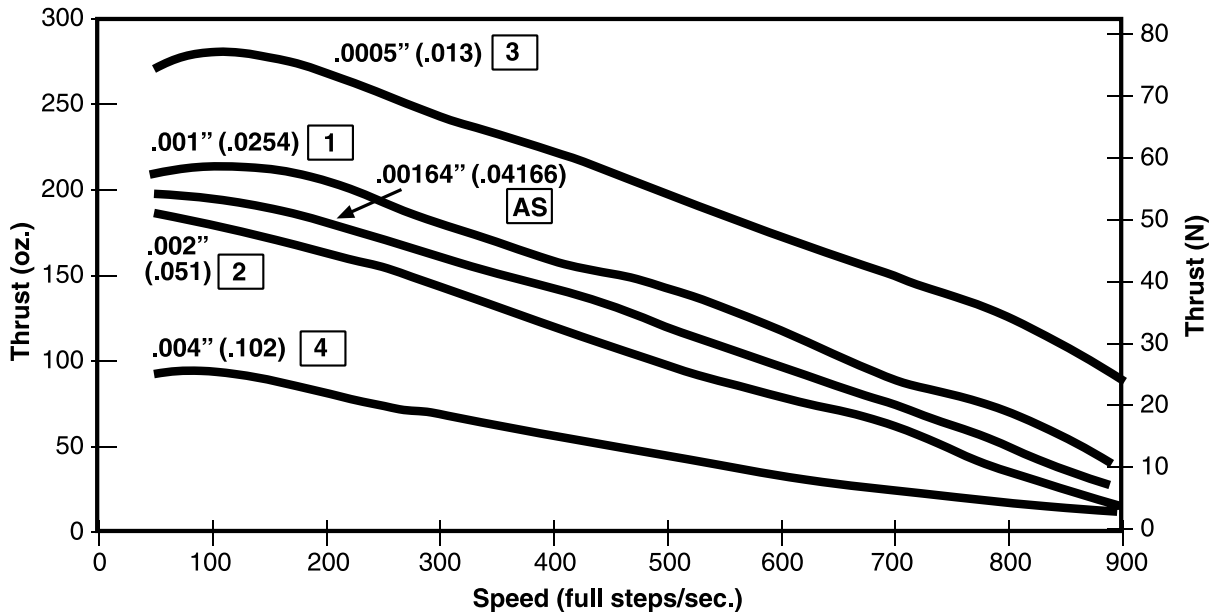
Chopper Drive • Bipolar • 100% Duty Cycle



THRUST vs. FULL STEPS/SECOND

Chopper Drive • Bipolar • 25% Duty Cycle

25% duty cycle is obtained by a special winding or by running a standard motor at double the rated current.



CAN-STACK LINEAR ACTUATOR MOTORS

NOTE: All chopper drive curves were created with a 5 Volt motor and a 40 Volt power supply.

Ramping can increase the performance of a motor either by increasing the top speed or getting a heavier load accelerated up to speed faster. Also, deceleration can be used to stop the motor without overshoot.

26000 Series: Can-Stack High Resolution

Haydon Kerk Motion Solutions, Inc. • www.HaydonKerk.com • Phone: 800.243.2715 • International: 203.756.7441

High resolution steppers for applications requiring fine step increments down to 0.00025-in (0.0064 mm).

The Haydon™ High Resolution 26000 Series features the smallest capability in a permanent magnet linear actuator. Motors can also be electronically micro-stepped.



Salient Characteristics

Ø 26 mm (1-in) High Resolution Motor					
Wiring		Bipolar		Unipolar*	
Part No.	Captive	26449-V		26469-V	
	Non-captive	26349-V		26369-V	
	External	E26449-V		E26469-V	
Step angle		7.5°			
Winding voltage		5 VDC	12 VDC	5 VDC	12 VDC
Current/phase		340 mA	140 mA	340 mA	140 mA
Resistance/phase		14.7 Ω	84 Ω	14.7 Ω	84 Ω
Inductance/phase		8.5 mH	55 mH	4.3 mH	24 mH
Power consumption		3.4 W			
Rotor inertia		1.2 gcm ²			
Insulation Class		Class B			
Weight		1.2 oz (35 g)			
Insulation resistance		20 MΩ			

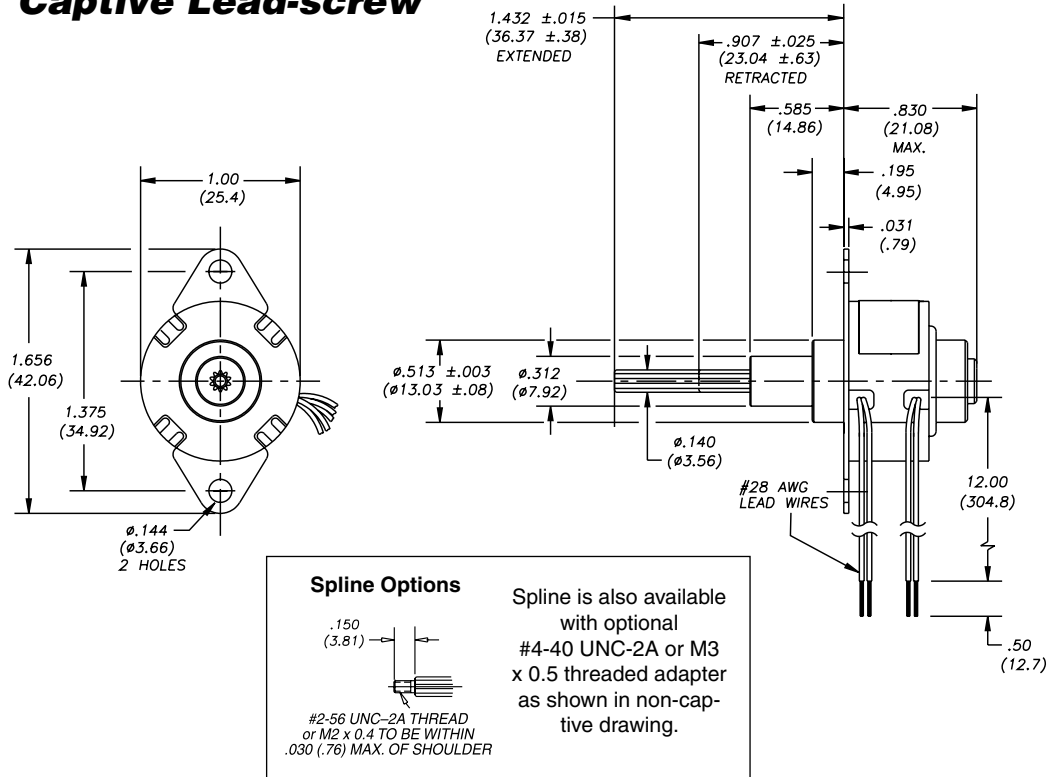
Linear Travel/Step: Bipolar & Unipolar			Order Code I.D.
Step	inches	mm	
7.5° Angle	0.00025	0.00643	9

Special drive considerations may be necessary when leaving shaft fully extended or fully retracted.

Standard motors are Class B rated for maximum temperature of 130° C (266° F).

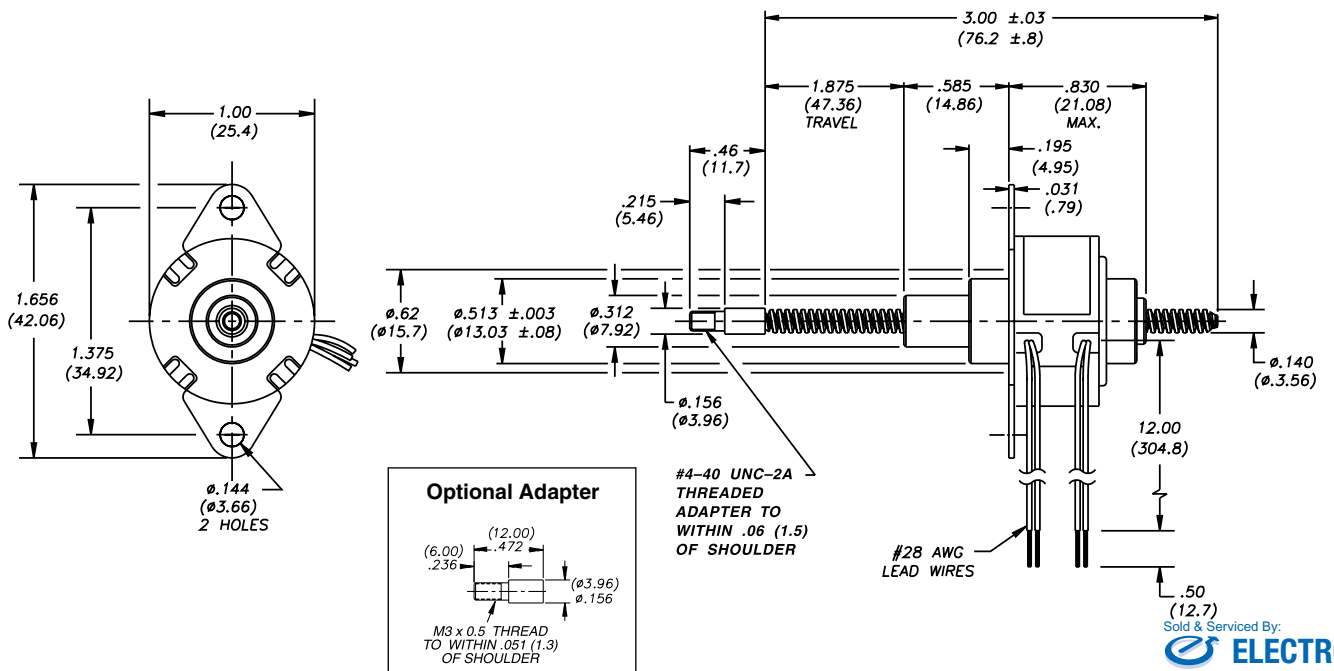
* Unipolar drive gives approximately 30% less thrust vs. bipolar drive.

Captive Lead-screw



Non-Captive Lead-screw

Up to 6-in (152 mm) standard screw lengths. Longer screw lengths are available.



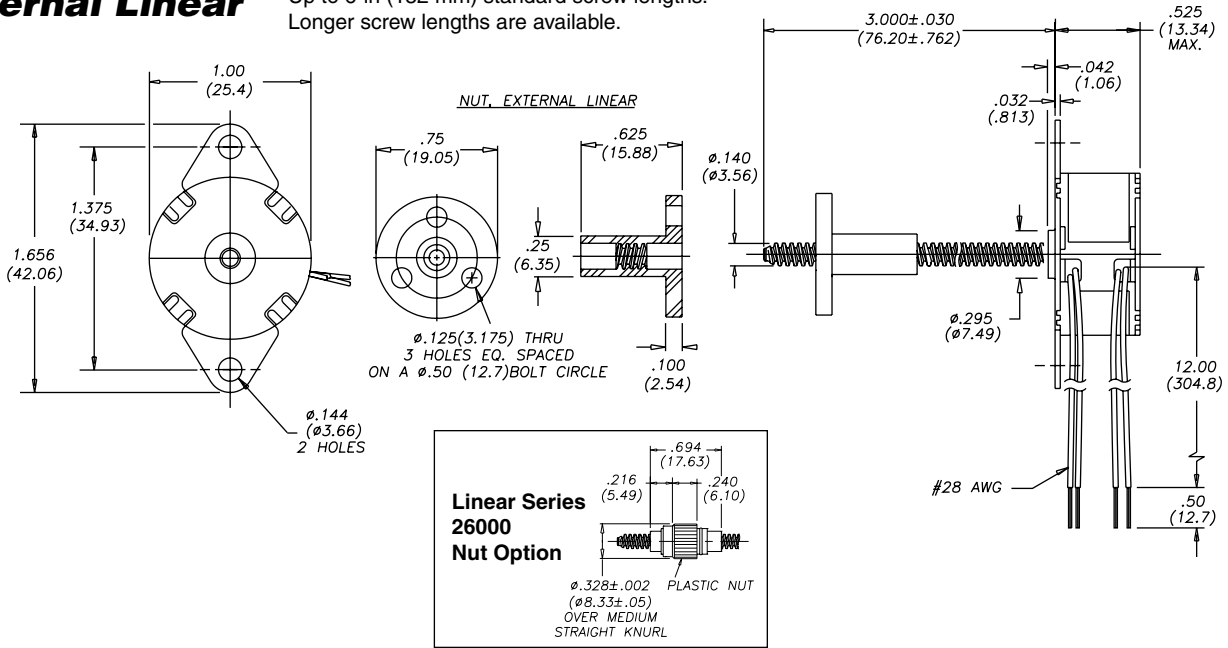
CAN-STACK LINEAR ACTUATOR MOTORS

26000 Series: Can-Stack High Resolution Dimensional Drawings

Haydon Kerk Motion Solutions, Inc. • www.HaydonKerk.com • Phone: 800.243.2715 • International: 203.756.7441

External Linear

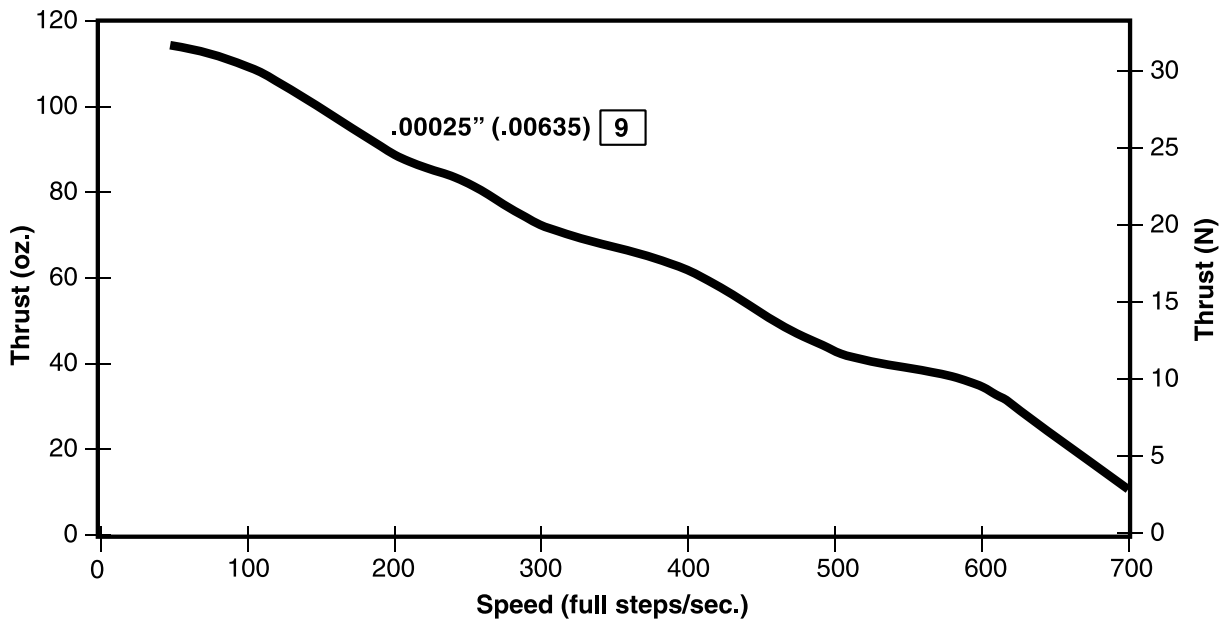
Up to 6-in (152 mm) standard screw lengths.
Longer screw lengths are available.



26000 Series: Can-Stack High Resolution Performance Curve

THRUST vs. FULL STEPS/SECOND

L/R Drive • Bipolar • 100% Duty Cycle



NOTE: Ramping can increase the performance of a motor either by increasing the top speed or getting a heavier accelerated up to speed faster. Also, deceleration can be used to stop the motor without overshoot.

The 36000 Series Can-Stack is available with a high temperature option.

Salient Characteristics

Ø 36 mm (1.4-in) motor					
Wiring		Bipolar			
Part No.	Captive	3644X-V		3654X-V	
	Non-captive	3634X-V		3684X-V	
	External	E3644X-V		E3654X-V	
Step angle		7.5°		15°	
Winding voltage		5 VDC	12 VDC	5 VDC	12 VDC
Current/phase		460 mA	190 mA	460 mA	190 mA
Resistance/phase		11 Ω	63 Ω	11 Ω	63 Ω
Inductance/phase		7.2 mH	45 mH	5.5 mH	35 mH
Power consumption		4.6 W			
Rotor inertia		10.5 gcm ²			
Insulation Class		Class B			
Weight		3 oz (86 g)			
Insulation resistance		20 MΩ			

Ø 36 mm (1.4-in) motor					
Wiring		Unipolar*			
Part No.	Captive	3646X-V		3656X-V	
	Non-captive	3636X-V		3686X-V	
	External	E3646X-V		E3656X-V	
Step angle		7.5°		15°	
Winding voltage		5 VDC	12 VDC	5 VDC	12 VDC
Current/phase		460 mA	190 mA	460 mA	190 mA
Resistance/phase		11 Ω	63 Ω	11 Ω	63 Ω
Inductance/phase		3.8 mH	19 mH	3 mH	15 mH
Power consumption		4.6 W			
Rotor inertia		10.5 gcm ²			
Insulation Class		Class B			
Weight		3 oz (86 g)			
Insulation resistance		20 MΩ			

* Unipolar drive gives approximately 30% less thrust vs. bipolar drive.



Other styles available...

- High Resolution Series
- TFE lead-screw
- High Temperature Option

Step	Linear Travel/Step		Order Code I.D.
	inches	mm	
7.5° Angle	0.0005	0.013	3
	0.001	0.0254	1
	0.002	0.051	2
15° Angle	0.002	0.051	2
	0.004	0.102	4

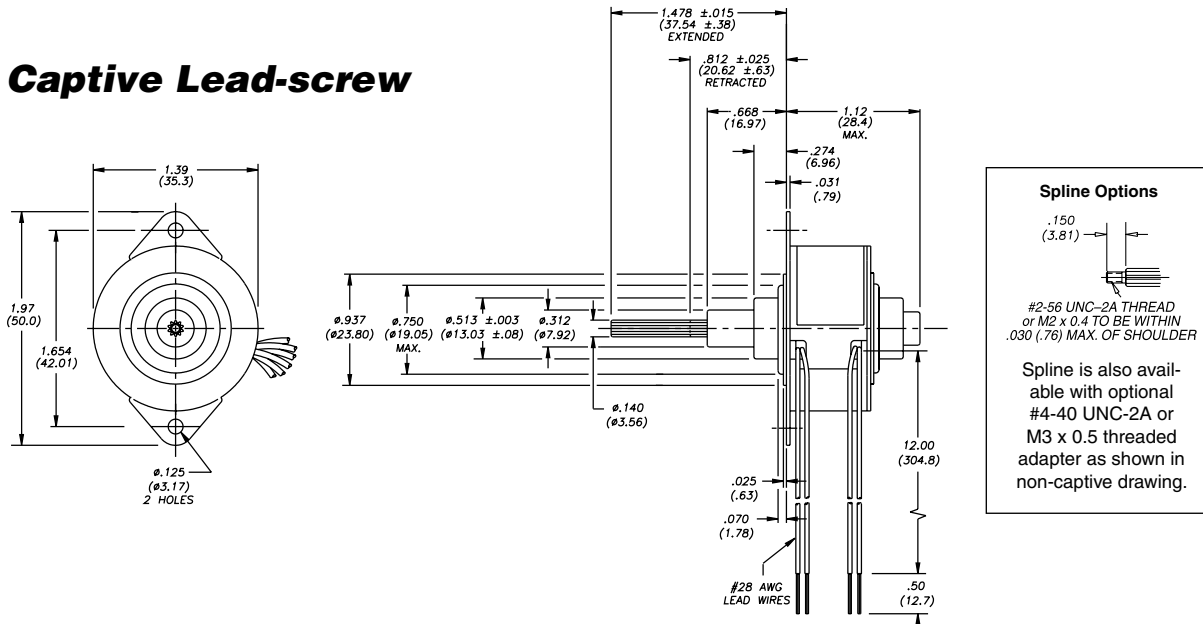
Standard motors are Class B rated for maximum temperature of 130° C (266° F).

CAN-STACK LINEAR ACTUATOR MOTORS

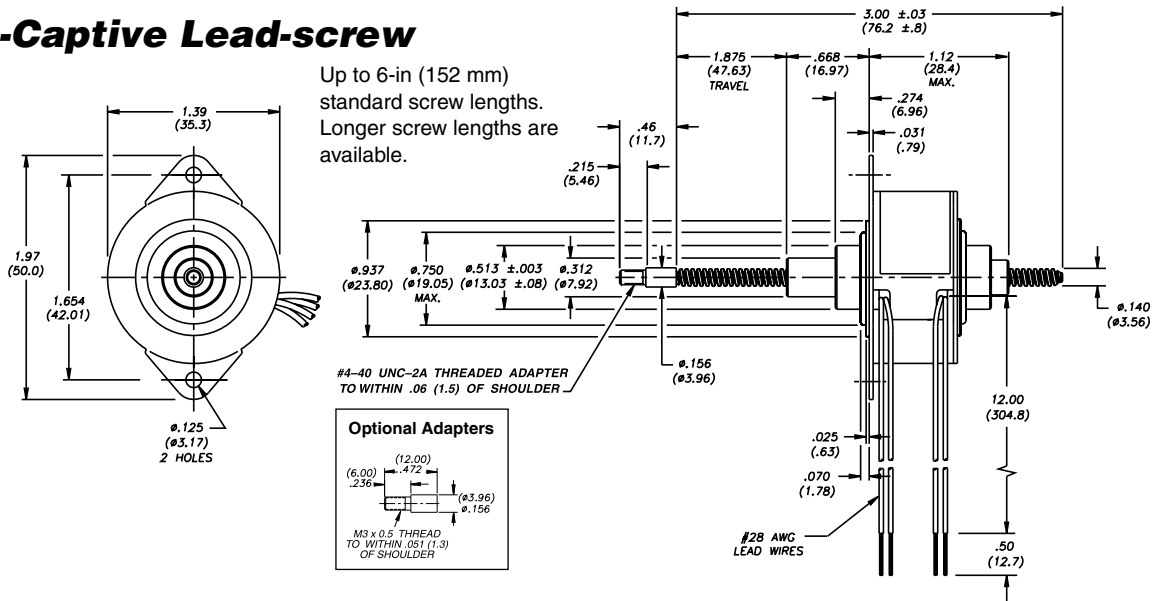
36000 Series: Can-Stack Dimensional Drawings

Haydon Kerk Motion Solutions, Inc. • www.HaydonKerk.com • Phone: 800.243.2715 • International: 203.756.7441

Captive Lead-screw

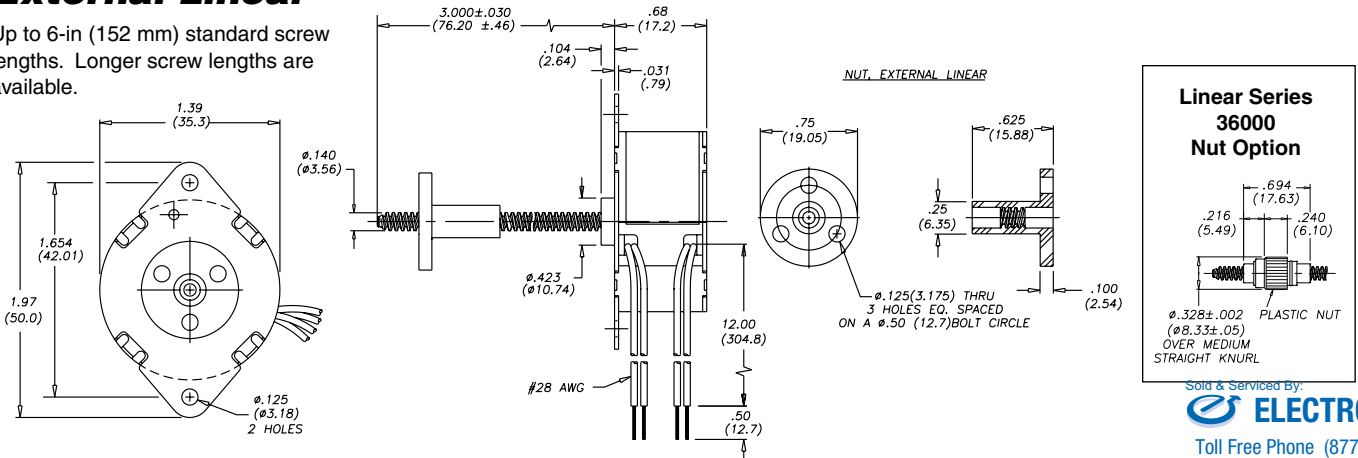


Non-Captive Lead-screw



External Linear

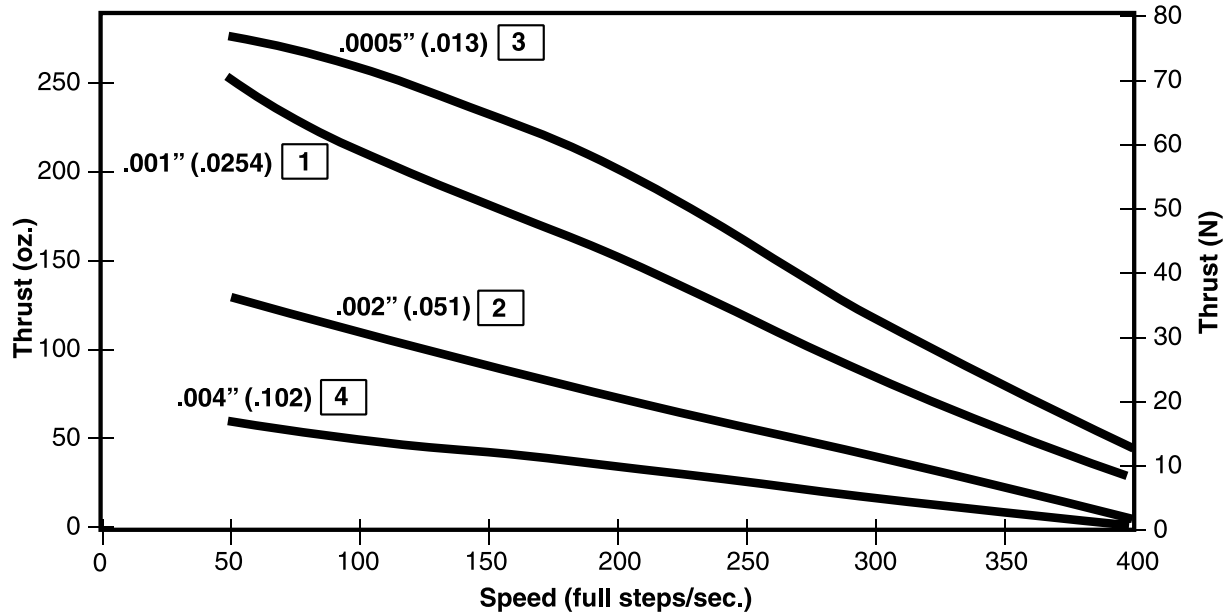
Up to 6-in (152 mm) standard screw lengths. Longer screw lengths are available.



CAN-STACK LINEAR ACTUATOR MOTORS

THRUST vs. FULL STEPS/SECOND

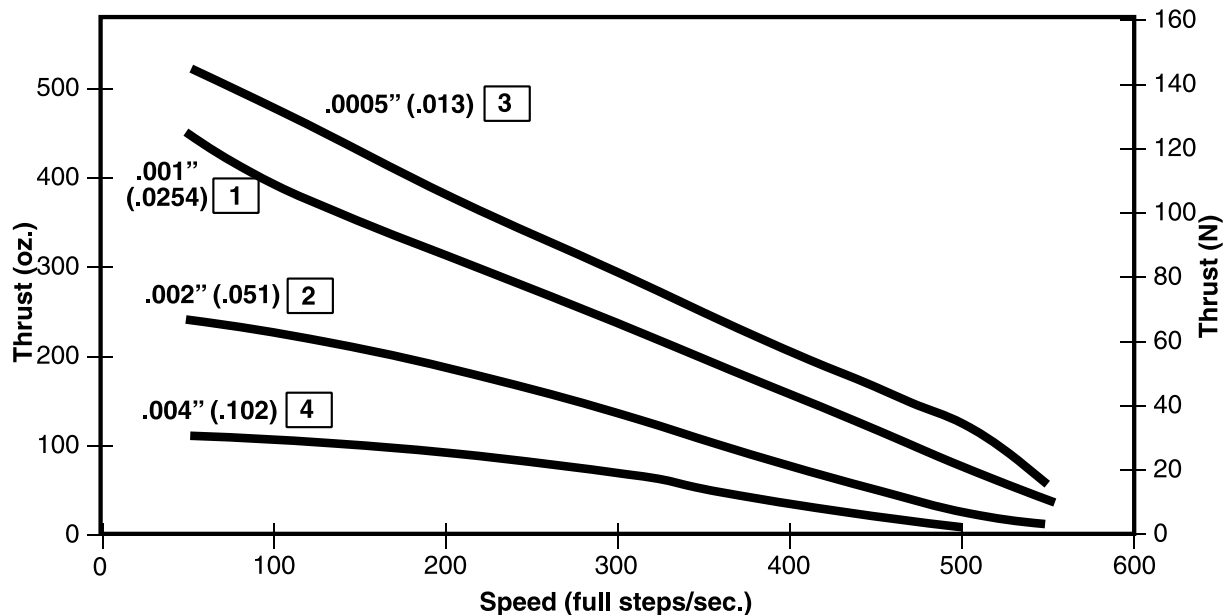
L/R Drive • Bipolar • 100% Duty Cycle



THRUST vs. FULL STEPS/SECOND

L/R Drive • Bipolar • 25% Duty Cycle

25% duty cycle is obtained by a special winding or by running a standard motor at double the rated voltage.



CAN-STACK LINEAR ACTUATOR MOTORS

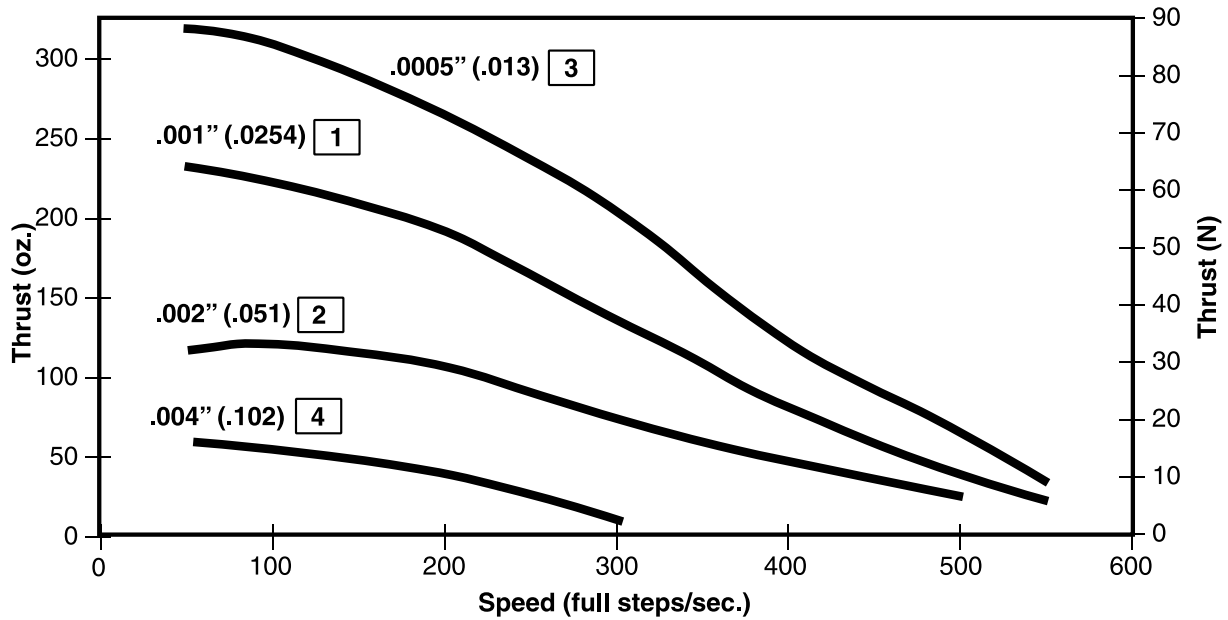
NOTE: Ramping can increase the performance of a motor either by increasing the top speed or getting a heavier load accelerated up to speed faster. Also, deceleration can be used to stop the motor without overshoot.

36000 Series: Can-Stack Performance Curves

Haydon Kerk Motion Solutions, Inc. • www.HaydonKerk.com • Phone: 800.243.2715 • International: 203.756.7441

THRUST vs. FULL STEPS/SECOND

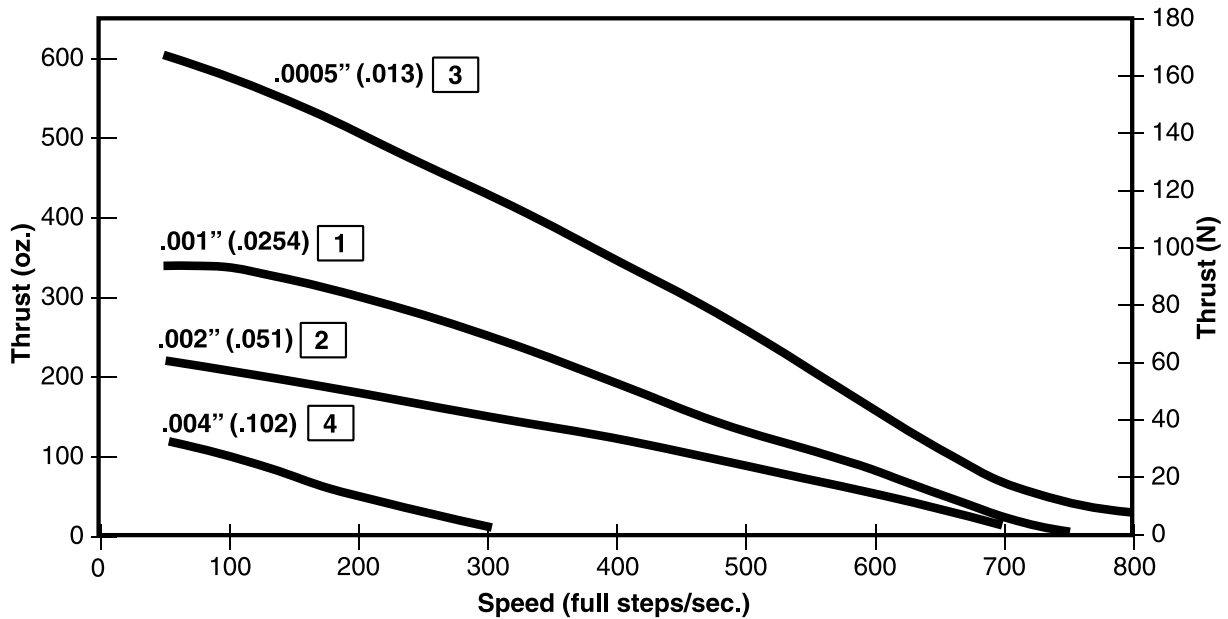
Chopper Drive • Bipolar • 100% Duty Cycle



THRUST vs. FULL STEPS/SECOND

Chopper Drive • Bipolar • 25% Duty Cycle

25% duty cycle is obtained by a special winding or by running a standard motor at double the rated current.



CAN-STACK LINEAR
ACTUATOR MOTORS

NOTE: All chopper drive curves were created with a 5 Volt motor and a 40 Volt power supply.

Ramping can increase the performance of a motor either by increasing the top speed or getting a heavier load accelerated up to speed faster. Also, deceleration can be used to stop the motor without overshoot.



Precise linear motion control down to 0.000125-in (0.0032 mm)

The Haydon™ High Resolution 36000 Series features a choice of two extremely small step increments, 0.000125-in (0.0032 mm) and 0.00025-in (0.0064 mm). Motors can also be electronically micro-stepped.

Salient Characteristics

Ø 36 mm (1.4") High Resolution Motor					
Wiring		Bipolar		Unipolar*	
Part No.	Captive	3624X-V		3626X-V	
	Non-captive	3614X-V		3616X-V	
	External	E3624X-V		3626X-V	
Step angle		3.75°			
Winding voltage		5 VDC	12 VDC	5 VDC	12 VDC
Current/phase		460 mA	190 mA	460 mA	190 mA
Resistance/phase		11 Ω	63 Ω	11 Ω	63 Ω
Inductance/phase		9.2 mH	53 mH	4.6 mH	26 mH
Power consumption		4.6 W			
Rotor inertia		10.5 gcm ²			
Insulation Class		Class B			
Weight		3 oz (86 g)			
Insulation resistance		20 MΩ			

Step Angle	Linear Travel/Step: Bipolar & Unipolar		Order Code I.D.
	inches	mm	
3.75°	0.000125	0.0032	7
	0.00025	0.0064	9

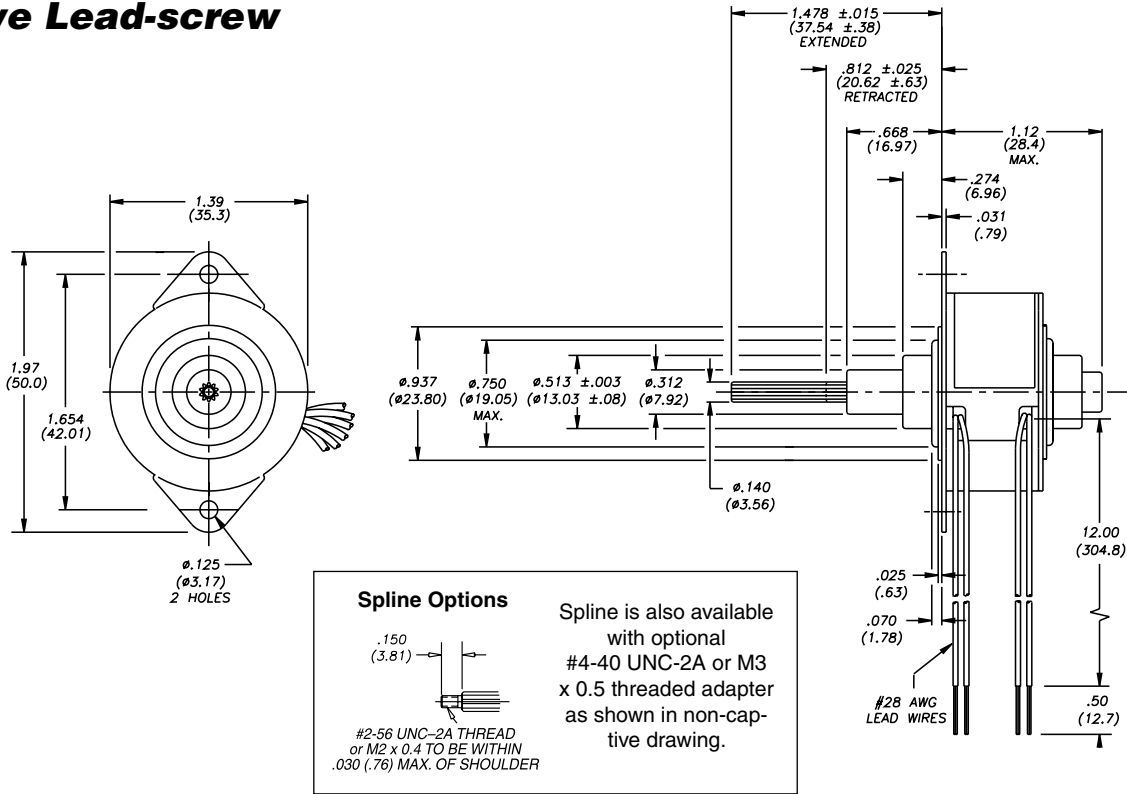
Standard motors are Class B rated for maximum temperature of 130° C (266° F).

* Unipolar drive gives approximately 30% less thrust vs. bipolar drive.

36000 Series: Can-Stack High Resolution Dimensional Drawings

Haydon Kerk Motion Solutions, Inc. • www.HaydonKerk.com • Phone: 800.243.2715 • International: 203.756.7441

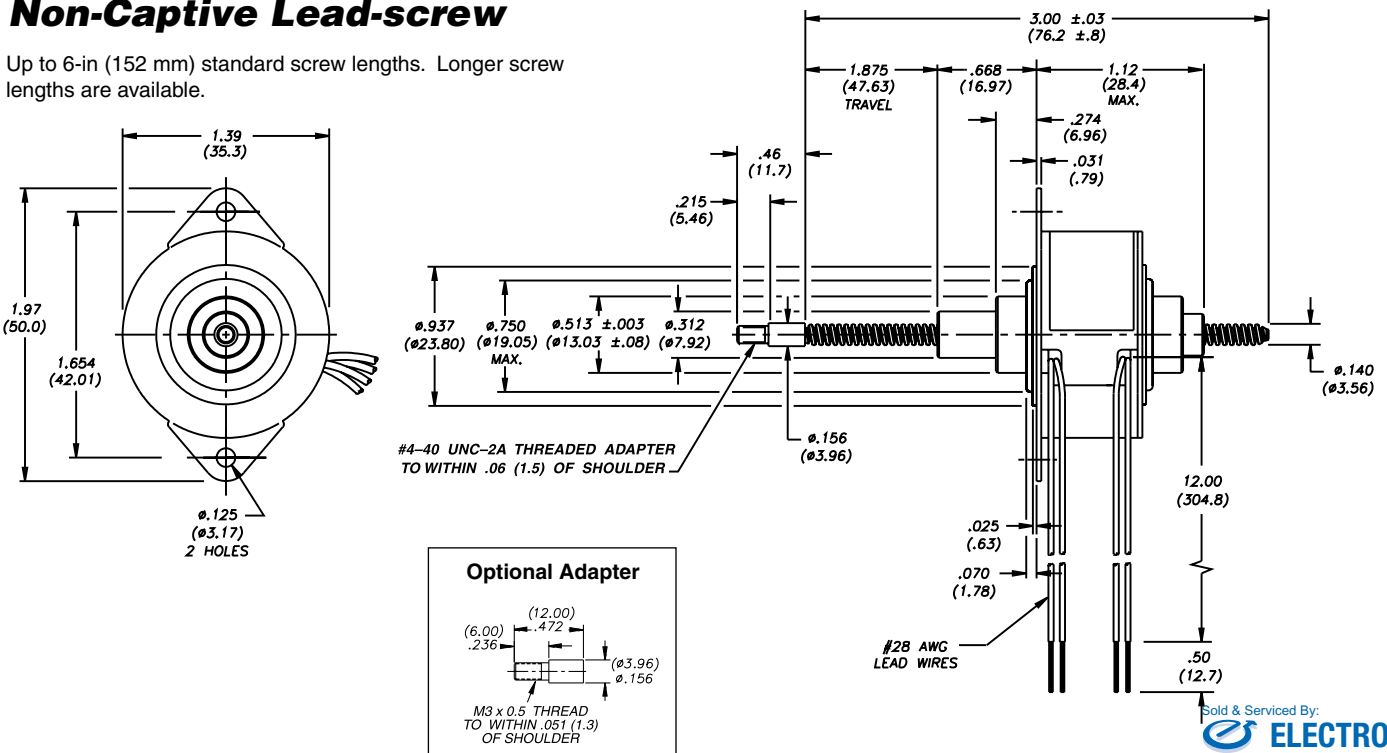
Captive Lead-screw



Non-Captive Lead-screw

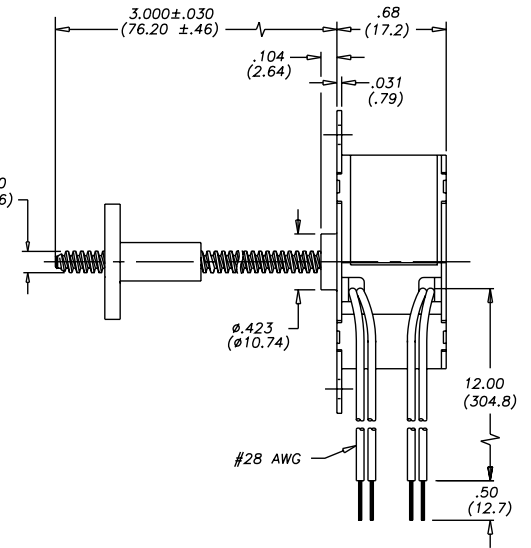
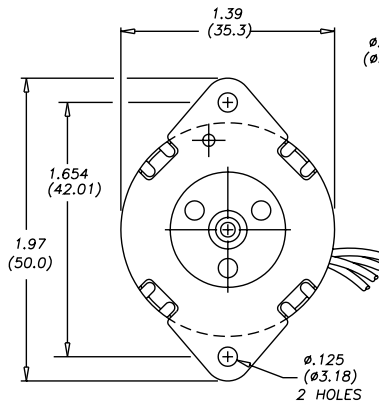
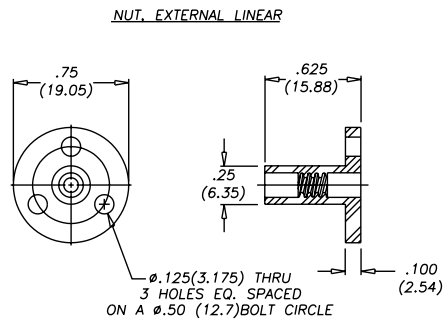
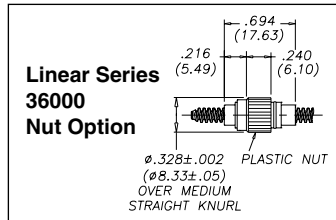
Up to 6-in (152 mm) standard screw lengths. Longer screw lengths are available.

CAN-STACK LINEAR ACTUATOR MOTORS



External Linear

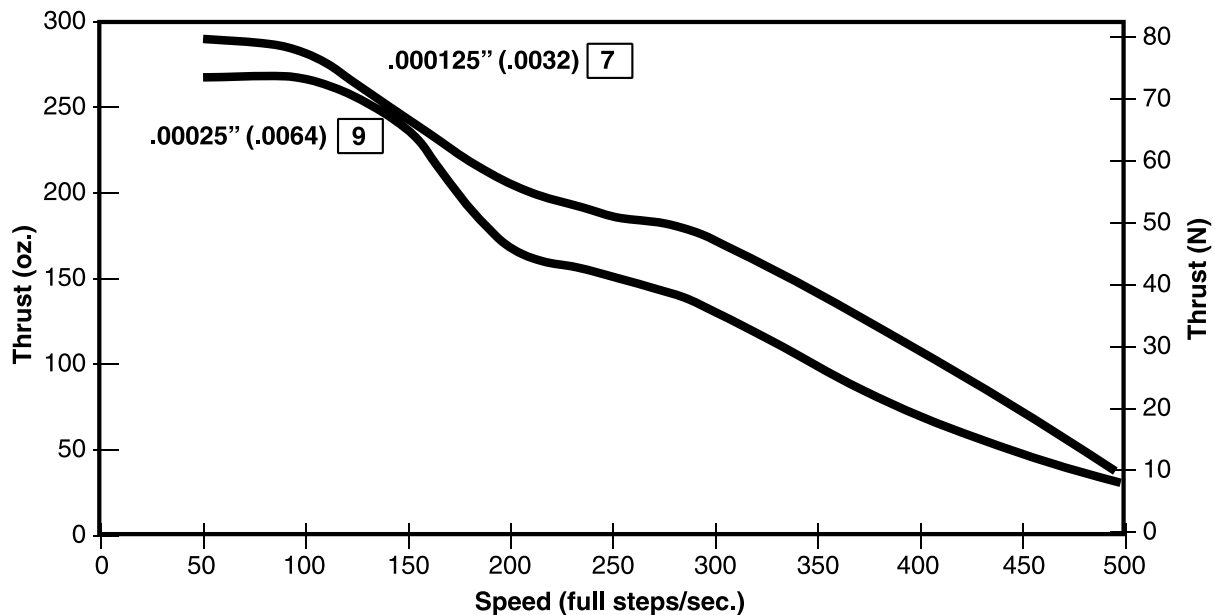
Up to 6-in (152 mm) standard screw lengths. Longer screw lengths are available.



36000 Series: Can-Stack High Resolution Performance Curves

THRUST vs. FULL STEPS/SECOND

L/R Drive • Bipolar • 100% Duty Cycle



CAN-STACK LINEAR ACTUATOR MOTORS

NOTE: Ramping can increase the performance of a motor either by increasing the top speed or getting a heavier accelerated up to speed faster. Also, deceleration can be used to stop the motor without overshoot.

46000 Series: Ø 46 mm (1.8-in) Can-Stack

Heavy-duty... power, versatility, and high output force.

Salient Characteristics

Ø 46 mm (1.8-in) motor					
Wiring		Bipolar			
Part No.	Captive	4644X-V		4654X-V	
	Non-captive	4634X-V		4684X-V	
	External	E4644X-V		E4654X-V	
Step angle		7.5°		15°	
Winding voltage		5 VDC	12 VDC	5 VDC	12 VDC
Current/phase		1.0 A	.41 A	1.0 A	.41 A
Resistance/phase		5 Ω	29 Ω	5 Ω	29 Ω
Inductance/phase		9 mH	52 mH	7.1 mH	39 mH
Power consumption		10 W			
Rotor inertia		25.0 gcm ²			
Insulation Class		Class B			
Weight		9.0 oz (255 g)			
Insulation resistance		20 MΩ			

Ø 46 mm (1.8-in) motor					
Wiring		Unipolar*			
Part No.	Captive	4646X-V		4656X-V	
	Non-captive	4636X-V		4686X-V	
	External	E4646X-V		E4656X-V	
Step angle		7.5°		15°	
Winding voltage		5 VDC	12 VDC	5 VDC	12 VDC
Current/phase		1.0 A	.41 A	1.0 A	.41 A
Resistance/phase		5 Ω	29 Ω	5 Ω	29 Ω
Inductance/phase		4.5 mH	26 mH	3.5 mH	20 mH
Power consumption		10 W			
Rotor inertia		25.0 gcm ²			
Insulation Class		Class B			
Weight		9.0 oz (255 g)			
Insulation resistance		20 MΩ			

* Unipolar drive gives approximately 30% less thrust than bipolar drive.



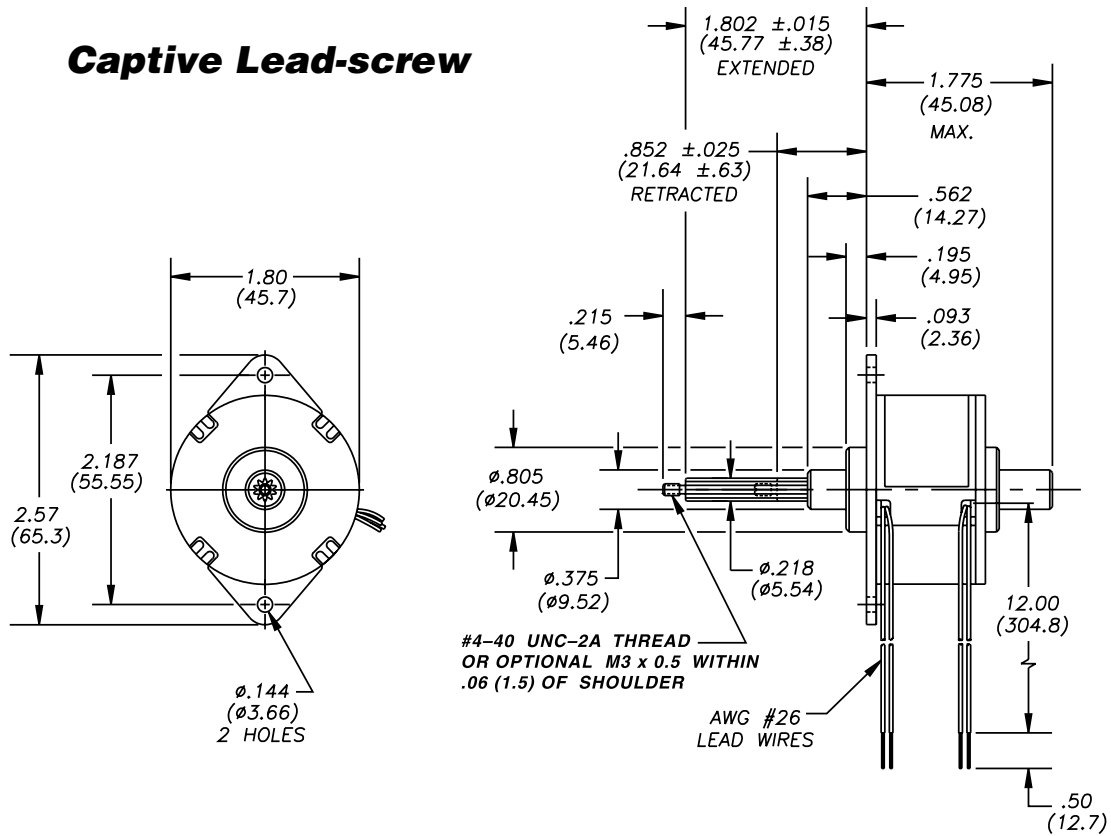
Other styles available...

- TFE lead-screw
- High Temperature Option

	Linear Travel/Step		Order Code I.D.
	Step	inches	
7.5° Angle	0.0005	0.013	3
	0.001	0.0254	1
	0.002	0.051	2
	0.004	0.102	4
	0.008	0.203	8
15° Angle	0.004	0.102	4
	0.008	0.203	8
	0.016	0.406	G

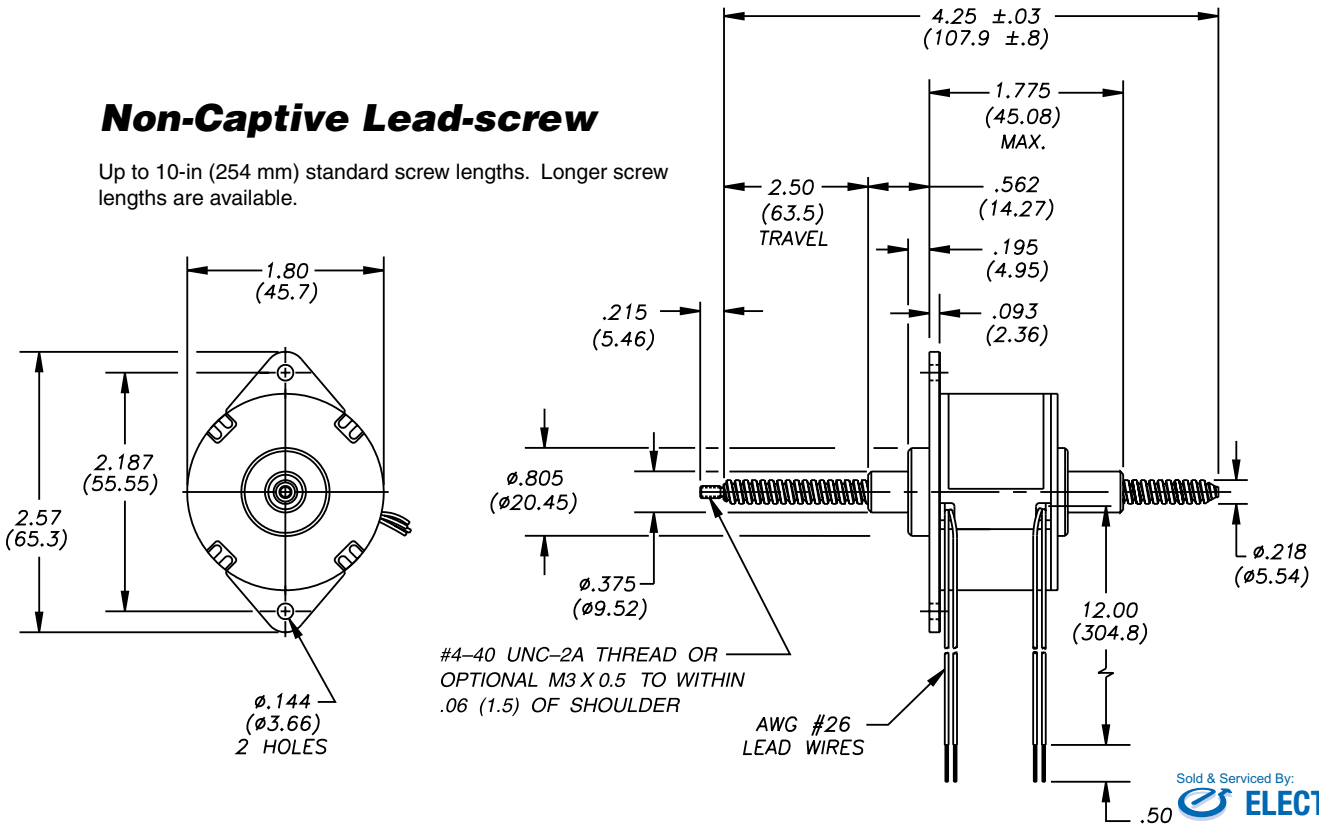
Standard motors are Class B rated for maximum temperature of 130° C (266° F).

Captive Lead-screw



Non-Captive Lead-screw

Up to 10-in (254 mm) standard screw lengths. Longer screw lengths are available.



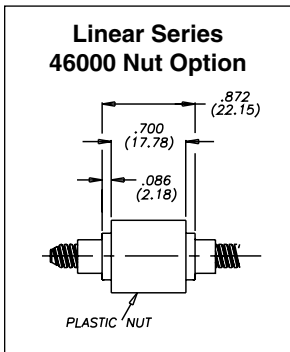
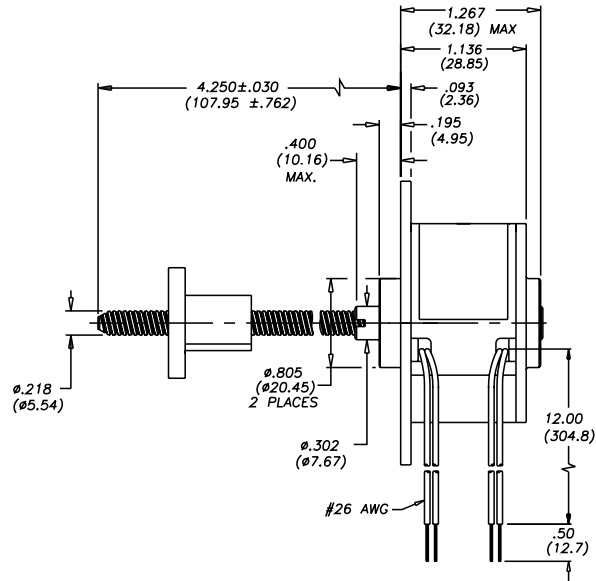
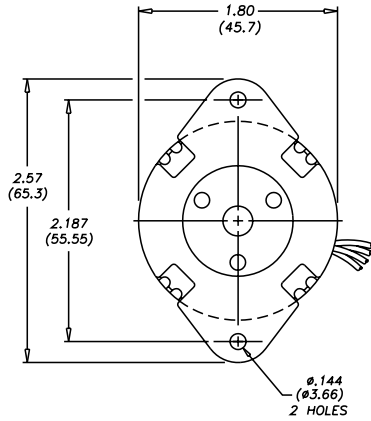
CAN-STACK LINEAR ACTUATOR MOTORS

46000 Series: Can-Stack Dimensional Drawings

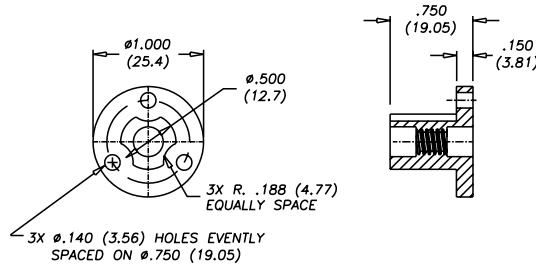
Haydon Kerk Motion Solutions, Inc. • www.HaydonKerk.com • Phone: 800.243.2715 • International: 203.756.7441

External Linear

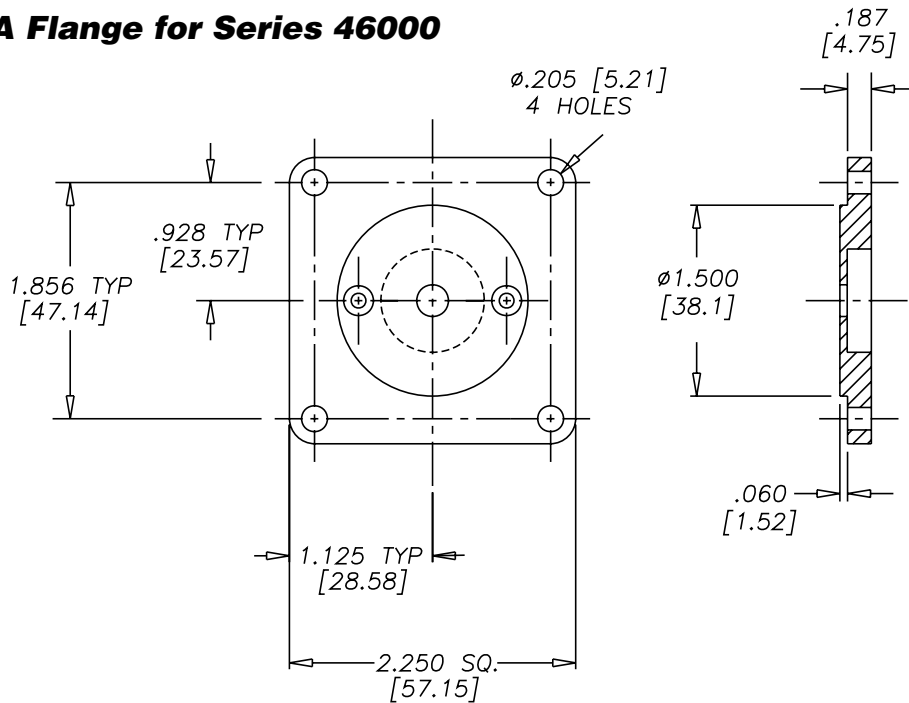
Up to 10-in (254 mm) standard screw lengths. Longer screw lengths are available.



NUT, EXTERNAL LINEAR



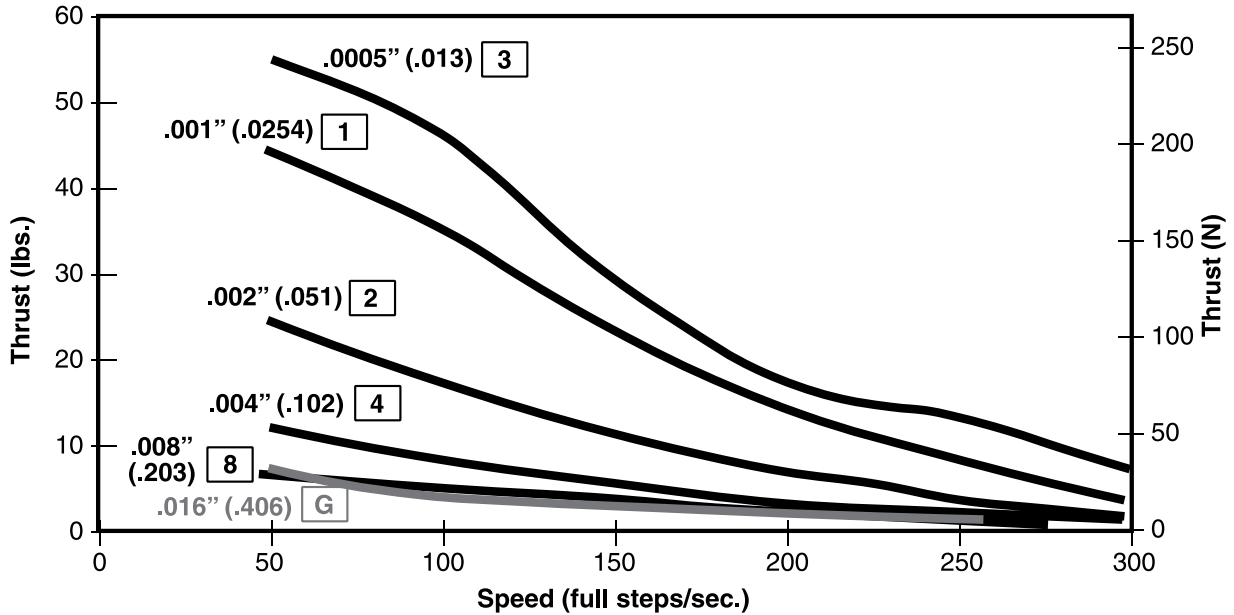
Optional NEMA Flange for Series 46000



CAN-STACK LINEAR
ACTUATOR MOTORS

THRUST vs. FULL STEPS/SECOND

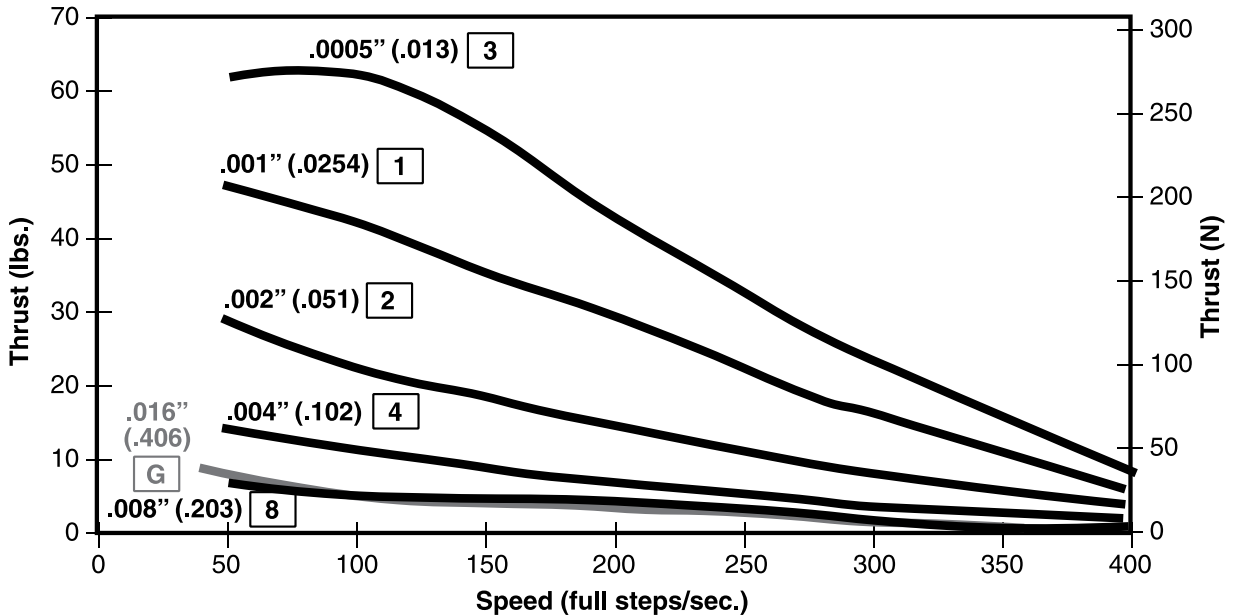
L/R Drive • Bipolar • 100% Duty Cycle



THRUST vs. FULL STEPS/SECOND

L/R Drive • Bipolar • 25% Duty Cycle

25% duty cycle is obtained by a special winding or by running a standard motor at double the rated voltage.



CAN-STACK LINEAR ACTUATOR MOTORS

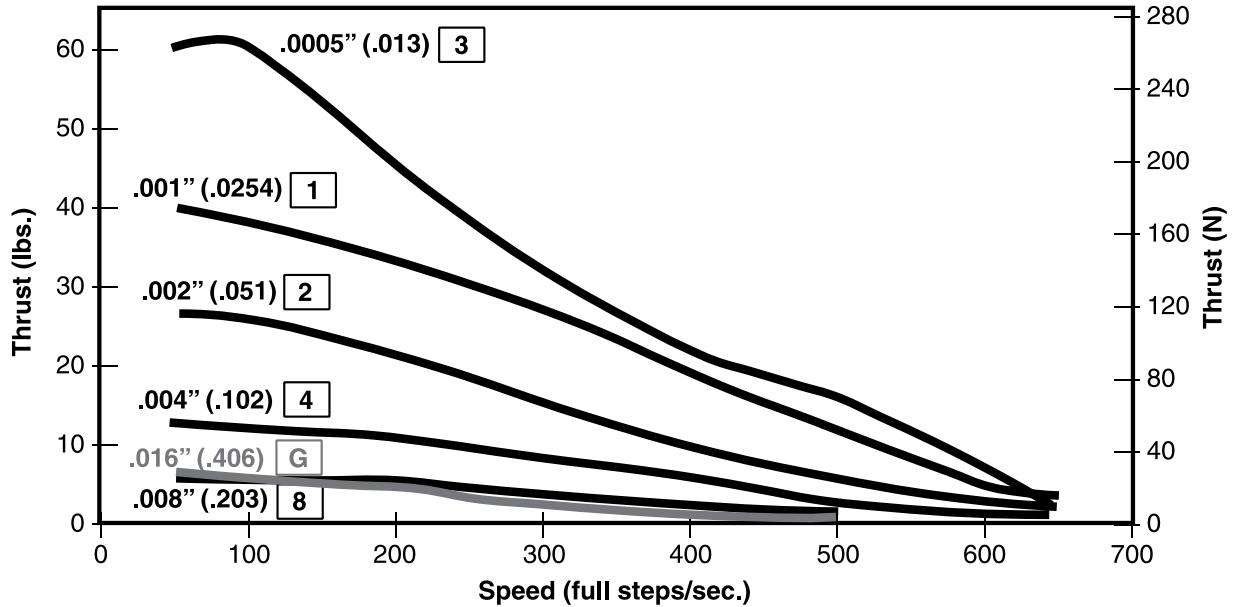
NOTE: Ramping can increase the performance of a motor either by increasing the top speed or getting a heavier load accelerated up to speed faster. Also, deceleration can be used to stop the motor without overshoot.

46000 Series: Can-Stack Performance Curves

Haydon Kerk Motion Solutions, Inc. • www.HaydonKerk.com • Phone: 800.243.2715 • International: 203.756.7441

THRUST vs. FULL STEPS/SECOND

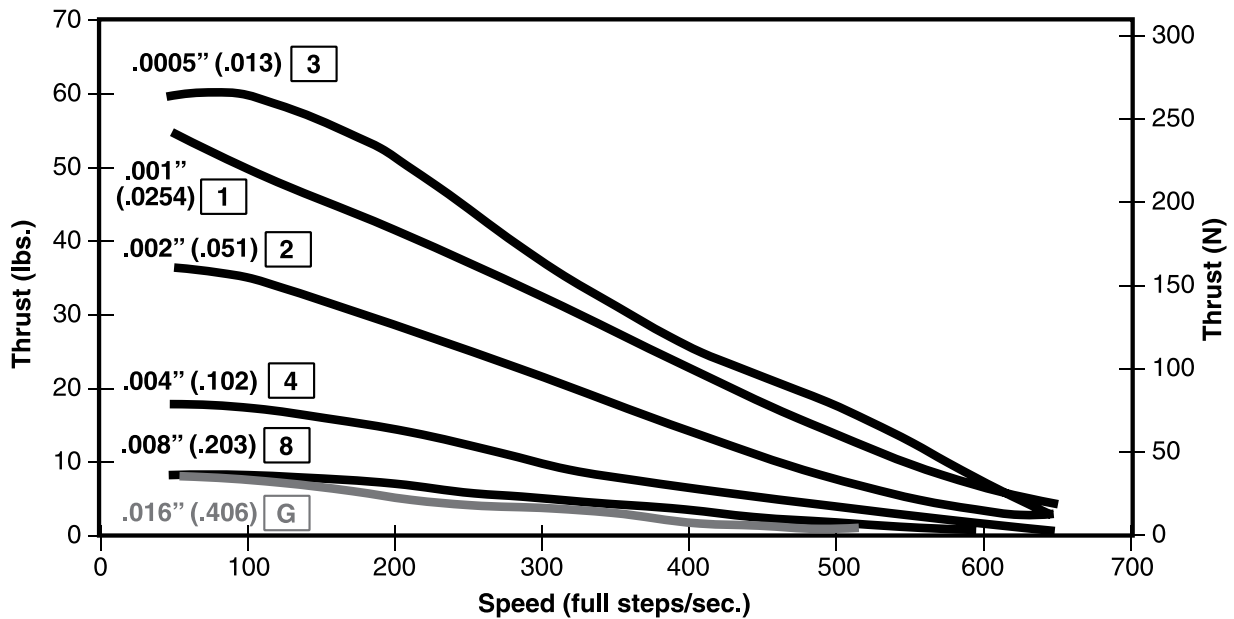
Chopper Drive • Bipolar • 100% Duty Cycle



THRUST vs. FULL STEPS/SECOND

Chopper Drive • Bipolar • 25% Duty Cycle

25% duty cycle is obtained by a special winding or by running a standard motor at double the rated current.



NOTE: All chopper drive curves were created with a 5 Volt motor and a 40 Volt power supply.

Ramping can increase the performance of a motor either by increasing the top speed or getting a heavier load accelerated up to speed faster. Also, deceleration can be used to stop the motor without overshoot.

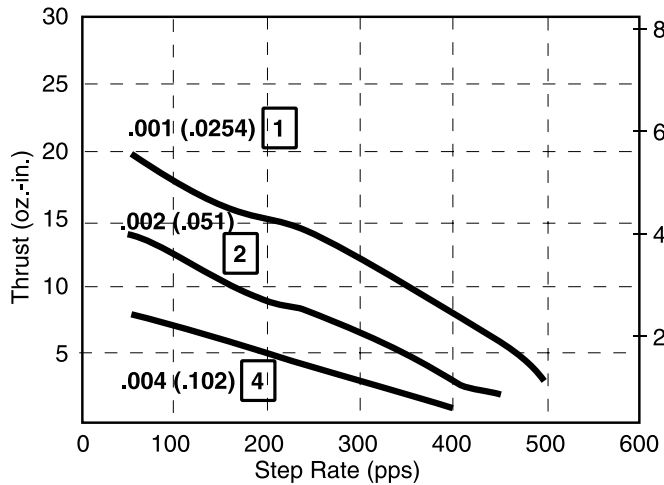


Specially engineered can-stack linear actuators for high temperature applications

Haydon Kerk Motion Solutions, Inc. offers a line of stepping motors specially designed for high temperature environments. The motors are constructed using the proven techniques employed for Haydon™ motors. Special materials which meet class F temperature ratings are used in construction. Specialized components include high temperature bobbins, coils, lead wires, lubricant and adhesives. For more information contact our applications group.

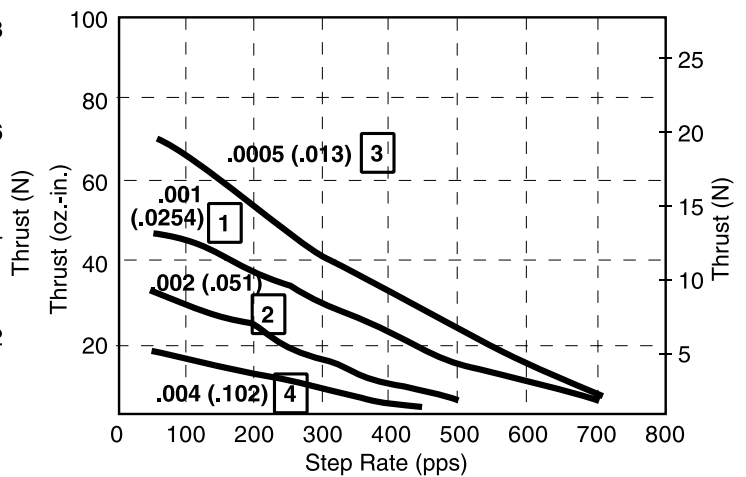
20000 Series High Temperature

L/R Drive, 100% Duty Cycle



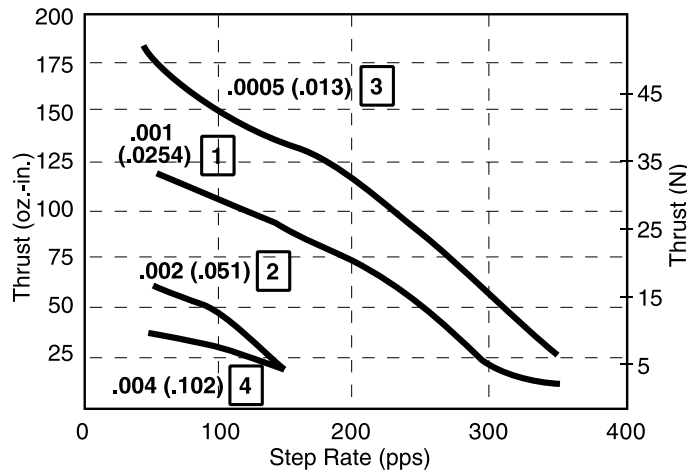
26000 Series High Temperature

L/R Drive, 100% Duty Cycle



36000 Series High Temperature

L/R Drive, 100% Duty Cycle



All data was taken at 155°C motor winding temperature (ambient temperature plus motor heat rise)

Sold & Serviced By: **ELECTROMATE**

Toll Free Phone (877) SERV098
Toll Free Fax (877) SERV099
www.electromate.com
sales@electromate.com

Options for Can-Stack: BlackIce™ TFE Coated Lead-screws



Haydon Kerk Motion Solutions, Inc. • www.HaydonKerk.com • Phone: 800.243.2715 • International: 203.756.7441



20000 Series, non-captive



26000 Series, non-captive



36000 Series, non-captive



46000 Series, non-captive

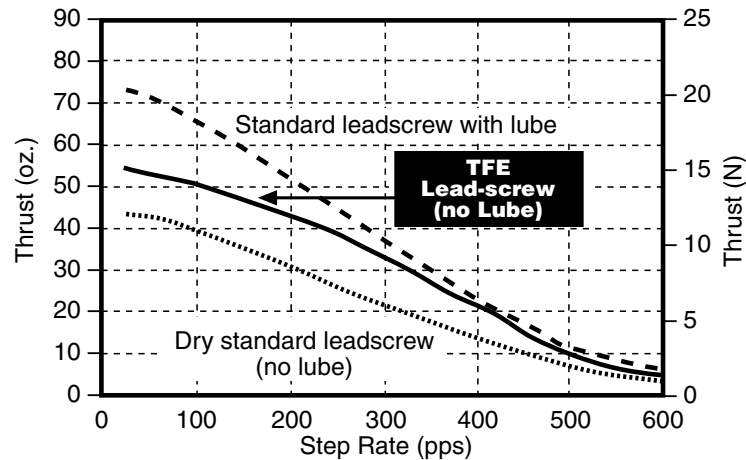
TFE coated leadscrews for applications that require a permanent, dry lubricant

Haydon Kerk Motion Solutions, Inc. offers a TFE coated lead-screw option for its Can-Stack Series linear actuators. The use of a TFE coated lead-screw allows for a “greaseless” screw and nut interface. This lead-screw option is ideal for applications where conventional oils and greases can not be used for lead-screw lubrication.

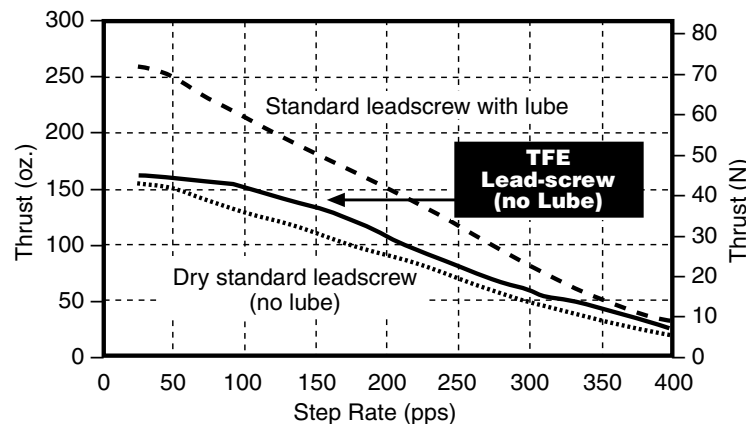
A non-lubricated TFE coated lead-screw provides improved performance in both life and thrust as compared to a “dry” stainless steel lead-screw. TFE can be applied to a wide variety of lead-screw pitches and is available for the Haydon™ captive, non-captive and external linear linear actuators.

The TFE coated lead-screw is typically used for applications where contamination from grease or lubricants must be avoided, such as silicon wafer handling and clean room applications. Other applications include medical equipment, laboratory instrumentation or anywhere precise linear motion is required.

TFE 26000 Series P/N T26542 • L/R Drive • 100% Duty Cycle



TFE 36000 Series P/N T36441 • L/R Drive • 100% Duty Cycle



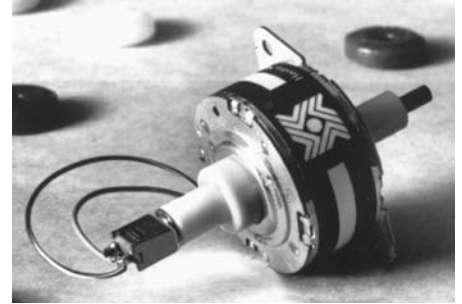
CAN-STACK LINEAR
ACTUATOR MOTORS

Sold & Serviced By:
ELECTROMATE
Toll Free Phone (877) SERV098
Toll Free Fax (877) SERV099
www.electromate.com
sales@electromate.com

Home Position Switch

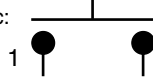
A miniature electronic home position switch capable of monitoring the home positions of linear actuators. The switch mounts on the rear sleeve of captive linear motors and allows the user to identify start, stop or home positions. Depending on your preference, contacts can be normally open or normally closed. The contact closure is repeatable to within one step position, identifying linear movements as low as 0.0005-in (0.0013 cm) per step. Multiple contact switches are also available.

The switch allows device manufacturers the ability to monitor movements more precisely for greater control and improved Q.C. When ordering motors with the home position switch, the part number should be preceded by an "S".



Technical Data

Contact Ratings (Standard): 1.00 AMP @ 120 VAC
1.00 AMP @ 28 VDC
Operating Temperature: -30°C to +55°C (-22°F to 131°F)
Contact Resistance: < 20 milliohms typ. initial at 2-4 V DC, 100 mA
Electrical Life: Tested to 60,000 make-and-break cycles at full load
Schematic:



Multiple contact options available.

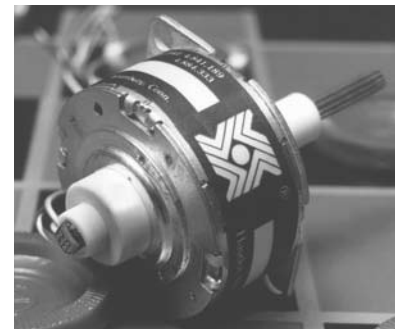
End of Stroke Proximity Sensor

The sensor incorporates a hall effect device, which is activated by a rare earth magnet embedded in the end of the internal screw. The compact profile of the sensor allows for installation in limited space applications.

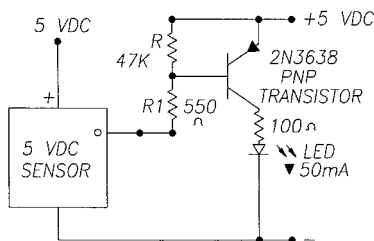
The sensor has virtually unlimited cycle life. Special cabling and connectors can also be provided.

Technical Data

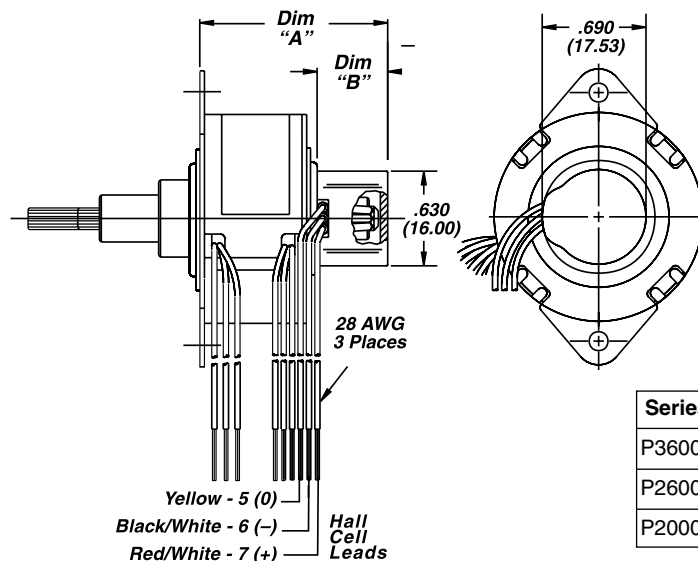
Supply Voltage (VDC): 3.8 min. to 24 max.
Current consumption: 10 mA max.
Output voltage (operated): 0.15 typ., 0.40 max.; Sinking 20 mA max.
Output current: 20 mA max.
Output leakage current (released): 10µA max. @ $V_{out} = 24$ VDC; $V_{cc} = 24$ VDC
Output switching time
Rise, 10 to 90%: .05 µs typ., 1.5 µs max. @ $V_{cc} = 12$ V, $R_L = 1.6$ KOhm
Fall, 90 to 10%: .15 µs typ., 1.5 µs max. @ $C_L = 20$ pF



36000 series with end of stroke proximity sensor (without protective cap).



Note: Sensor is category 2 ESD sensitive per DOD-STD-1686A. Assembly operations should be performed at workstations with conductive tops and operators grounded.



Series	Dim. "A"	Dim. "B"
P36000	1.220 (31.0)	.470 (12.0)
P26000	0.950 (24.13)	.370 (9.4)
P20000	1.120 (28.45)	.470 (12.0)



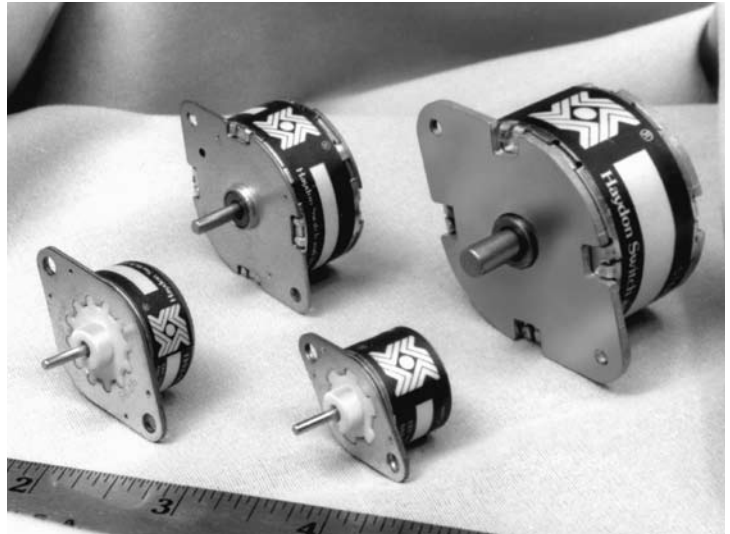
Can-Stack Rotary Stepper Motors

Haydon Kerk Motion Solutions, Inc. also offers rotary motors that are built to provide exceptionally high torque to size ratios.

By utilizing a patented enlarged rotor with low inductance coils, the motors provide superior torque and continuous, reliable high performance. At rated voltage, the 46 mm motor produces 16 oz.-in. of holding torque, the 36 mm motor produces 4.5 oz.-in., the 26 mm motor produces 1.8 oz.-in. and the 20 mm motor produces 0.65 oz.-in. Optional rare earth magnets may be specified for even higher torque. Bronze sleeve bearings are standard, ball bearings are also available.

Haydon Kerk Motion Solutions, Inc. has patented technology and the facilities to produce these motors in high volume. We provide rapid turn-around for prototypes and production orders. Custom designs and special engineering requirements such as special shaft diameters, lengths and mounting flanges are welcome.

Some typical applications for Haydon rotary motors include medical equipment, bar code scanning devices, printing equipment, laboratory instrumentation and other high torque, small space mechanisms.



Part Number Construction: Rotary Stepper Motors

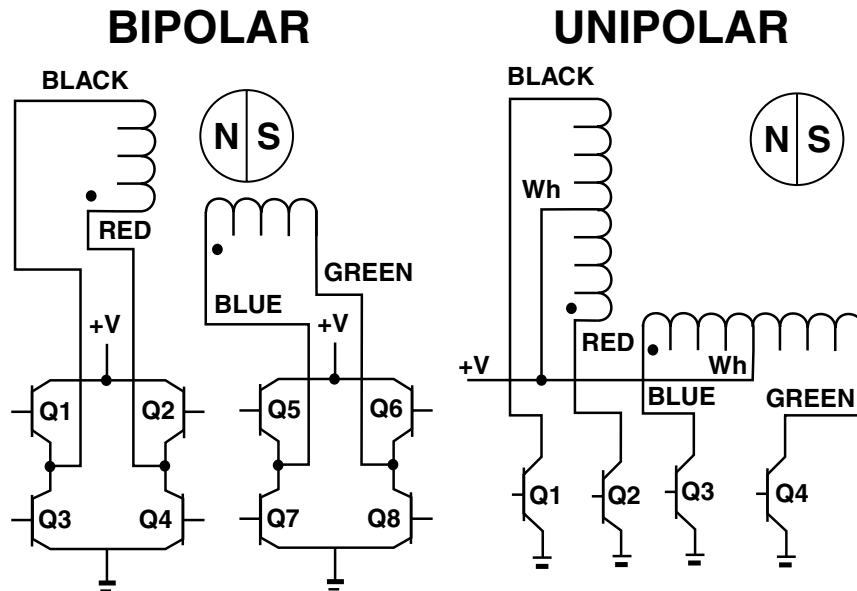
T	26	4	4	0	05	999
Prefix (only when using the following)	Series number designation: 26 = 26000	Style 4 = 7.5° 5 = 15°	Coils 4 = Bipolar (4 wire) 6 = Unipolar (6 wire)	Code ID Resolution Travel/Step 0 = Rotary	Voltage (Example: 05 = 5 VDC; 12 = 12 VDC) Custom V available	Suffix: -999 = ball bearings -001 = ball bearings for Z Series Rotary Stepper Motors -XXX = Proprietary suffix assigned to a specific customer application. The identifier can apply to either a standard or custom part.
T = High Temp.	Available Series: Z20000 Z26000 36000 46000					
R = Rare earth magnet	(Series numbers represent diameters of motor body)					

EXAMPLES:

T26440-05 = High temperature, 26000 series (Ø26 mm, 1-in), 7.5°, bipolar coils, rotary motor, 5 VDC

36540-12-999 = 36000 series (Ø36 mm, 1.4-in), 15°, bipolar coils, rotary motor, 12 VDC, ball bearings

CAN-STACK ROTARY STEPPER MOTORS



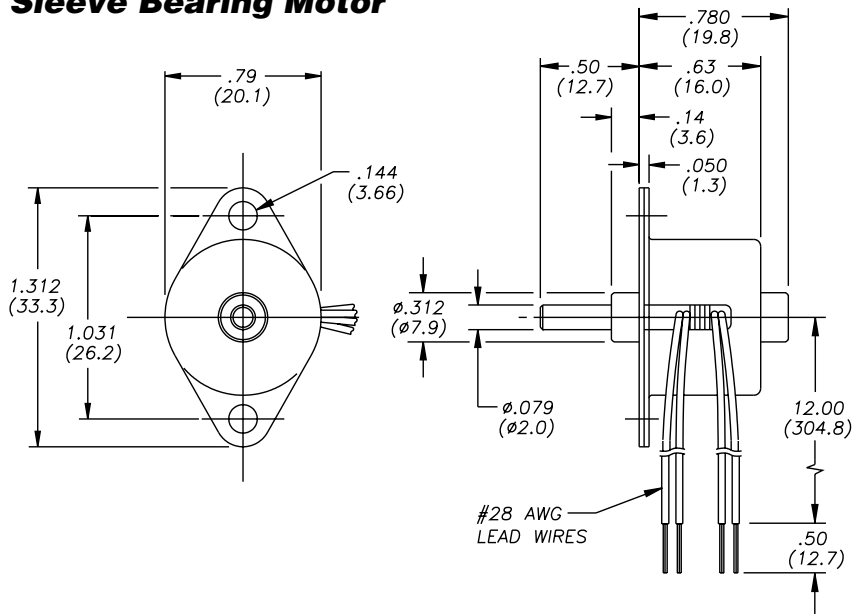
Rotary Stepper Motors: Stepping Sequence

	Bipolar	Q2-Q3	Q1-Q4	Q6-Q7	Q5-Q8	
	Unipolar	Q1	Q2	Q3	Q4	
	Step					
▼ CW Rotation	1	ON	OFF	ON	OFF	
	2	OFF	ON	ON	OFF	
	3	OFF	ON	OFF	ON	
	4	ON	OFF	OFF	ON	
	1	ON	OFF	ON	OFF	▲ CCW Rotation

Note: Half stepping is accomplished by inserting an off state between transitioning phases. Shaft rotation as viewed from the output shaft.

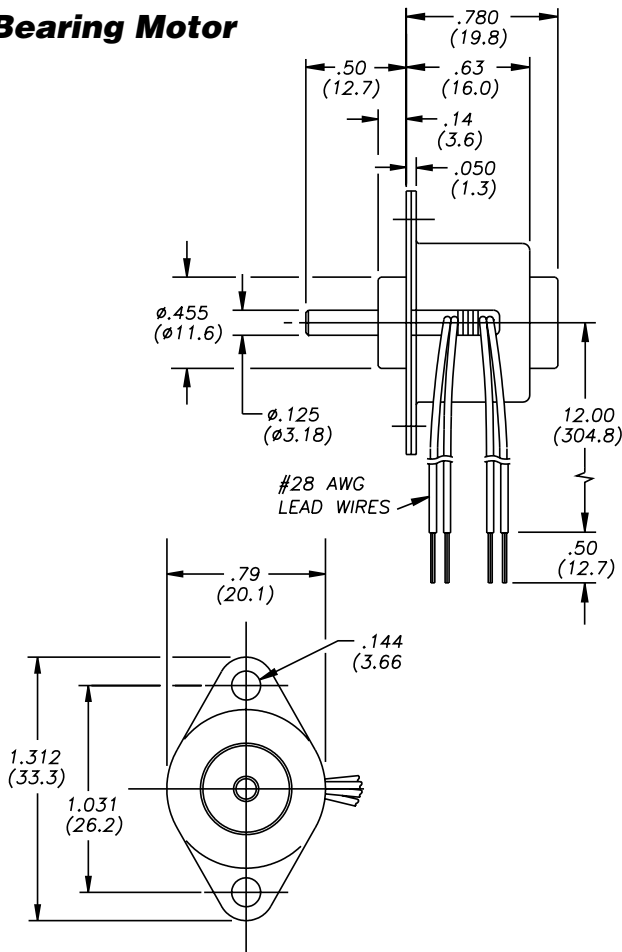
Z20000 Series: Ø 20 mm (.79-in) Rotary Motors

Sleeve Bearing Motor



Select Sleeve or Ball Bearing Designs

Ball Bearing Motor



Salient Characteristics

Ø 20 mm (3/4") Rotary Stepper		
Wiring	Bipolar	
Part No. (Sleeve)*	Z20540-05	Z20540-12
Step angle	15°	
Winding voltage	5 VDC	12 VDC
Current/phase	250 mA	100 mA
Resistance/phase	20 Ω	118 Ω
Inductance/phase	5.5 mH	32 mH
Hold torque	.65 oz-in. (.46 Ncm)	
Detent torque	.17 oz-in. (.12 Ncm)	
Power consumption	2.5 W	
Rotor Inertia	1.13 gcm ²	
Weight	.80 oz. (22.7 g)	
Insulation resistance	20 MΩ	
Insulation Class	Class B	

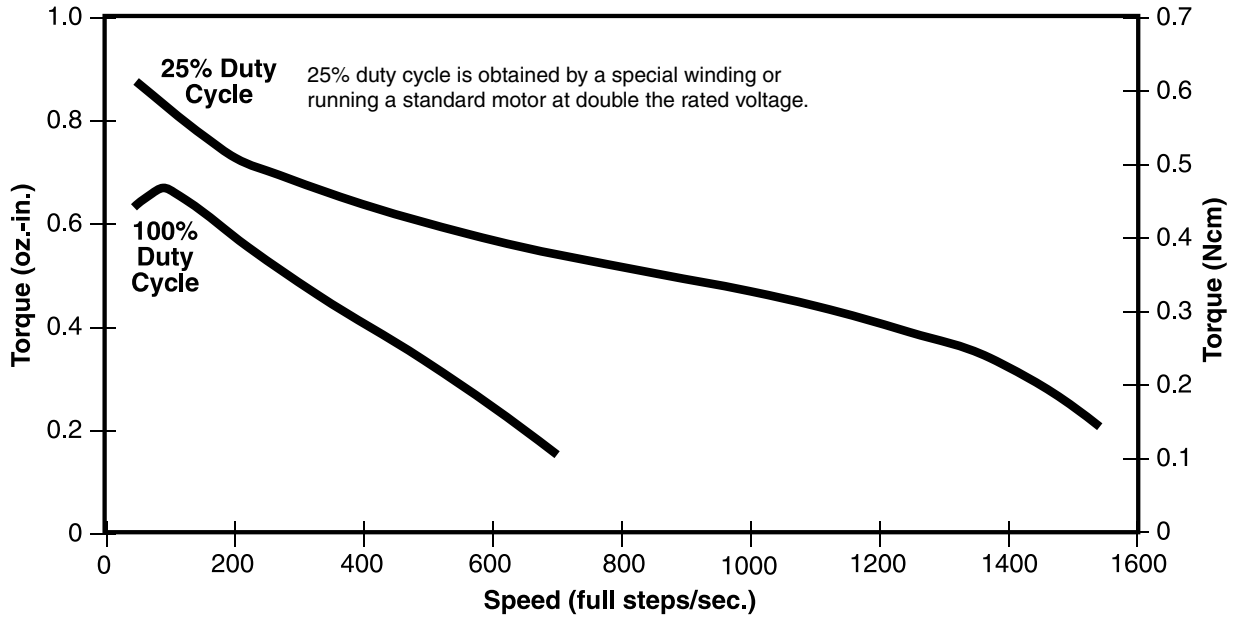
*For Ball Bearings add " -999" to the end of this number

CAN-STACK ROTARY STEPPER MOTORS

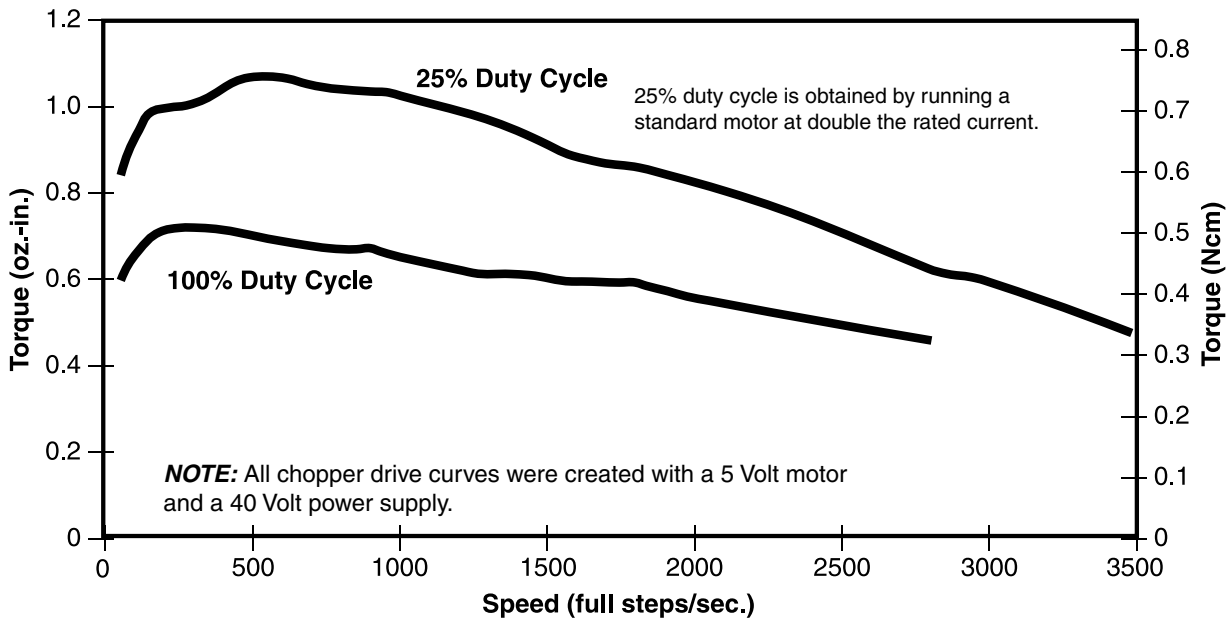
Sold & Serviced By:
ELECTROMATE

Toll Free Phone (877) SERV098
Toll Free Fax (877) SERV099
www.electromate.com
sales@electromate.com

TORQUE vs FULL STEP/SECOND L/R DRIVE • BIPOLAR • 15° STEP ANGLE



CHOPPER DRIVE • BIPOLAR • 15° STEP ANGLE



CAN-STACK ROTARY STEPPER MOTORS

FOR BOTH L/R and CHOPPER DRIVES: Ramping can increase the performance of a motor either by increasing the top speed or getting a heavier load accelerated up to speed faster. Also, deceleration can be used to stop the motor without overshoot.

26000 Series: Ø 26 mm (1-in) Rotary Motors

Select Sleeve or Ball Bearing Designs

Other styles available...

- Z-Series
- High Temperature Option



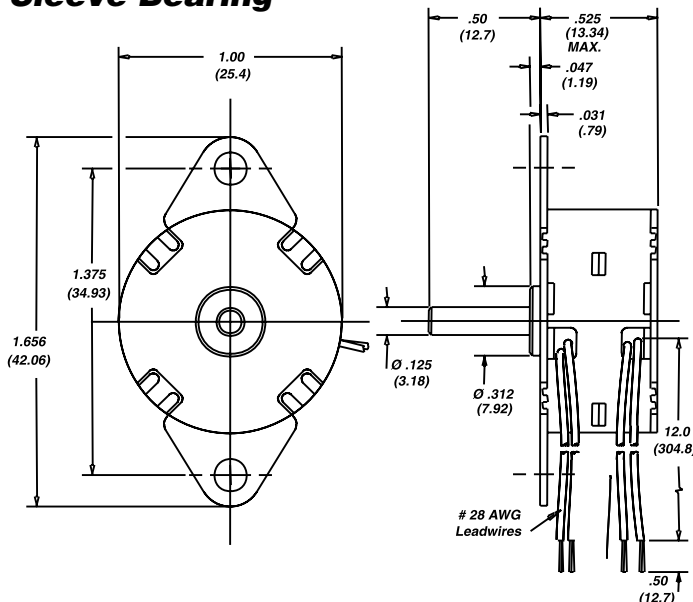
Salient Characteristics

Ø 26 mm (1-in) Rotary Stepper Motor				
Wiring	Bipolar			
Part No. (Sleeve)*	26440-05	26440-12	26540-05	26540-12
Step angle	7.5°		15°	
Winding voltage	5 VDC	12 VDC	5 VDC	12 VDC
Current/phase	340 mA	140 mA	340 mA	140 mA
Resistance/phase	14.7 Ω	84 Ω	14.7 Ω	84 Ω
Inductance/phase	8.5 mH	55 mH	6.7 mH	44 mH
Hold torque	1.6 oz-in. (1.13 Ncm)		1.3 oz-in. (.92 Ncm)	
Detent torque	.12 oz-in. (.09 Ncm)		.14 oz-in. (.10 Ncm)	
Power consumption	3.4 W			
Rotor Inertia	1.2 gcm ²			
Weight	1 oz. (28 g)			
Insulation resistance	20 MΩ			
Insulation Class	Class B			

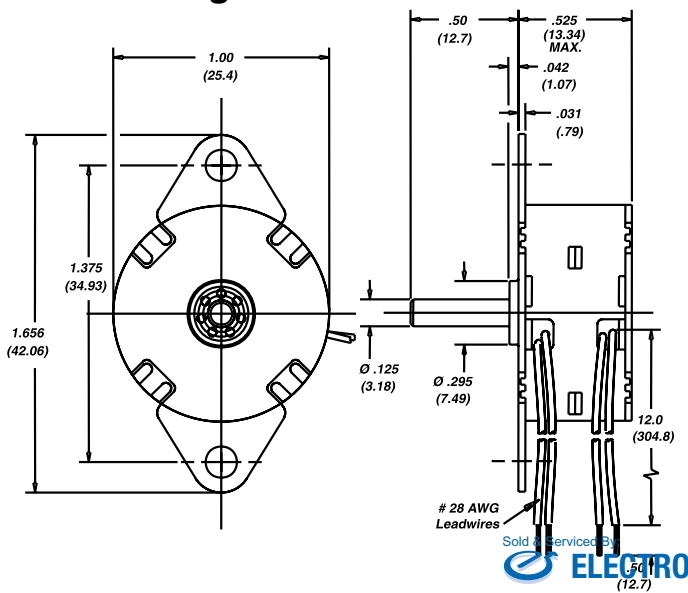
Ø 26 mm (1-in) Rotary Stepper Motor				
Unipolar				
Part No.	26460-05	26460-12	26560-05	26560-12
Step angle	7.5°		15°	
Winding voltage	5 VDC	12 VDC	5 VDC	12 VDC
Current/phase	340 mA	140 mA	340 mA	140 mA
Resistance/phase	14.7 Ω	84 Ω	14.7 Ω	84 Ω
Inductance/phase	4.3 mH	24 mH	3.4 mH	19 mH
Hold torque	1.2 oz-in. (.85 Ncm)		.9 oz-in. (.64 Ncm)	
Detent torque	.12 oz-in. (.09 Ncm)		.14 oz-in. (.10 Ncm)	
Power consumption	3.4 W			
Rotor Inertia	1.2 gcm ²			
Weight	1 oz. (28 g)			
Insulation resistance	20 MΩ			
Insulation Class	Class B			

*For Ball Bearings add “-999” to the end of this number

Dimensional Drawings: Sleeve Bearing



Ball Bearing



CAN-STACK ROTARY STEPPER MOTORS

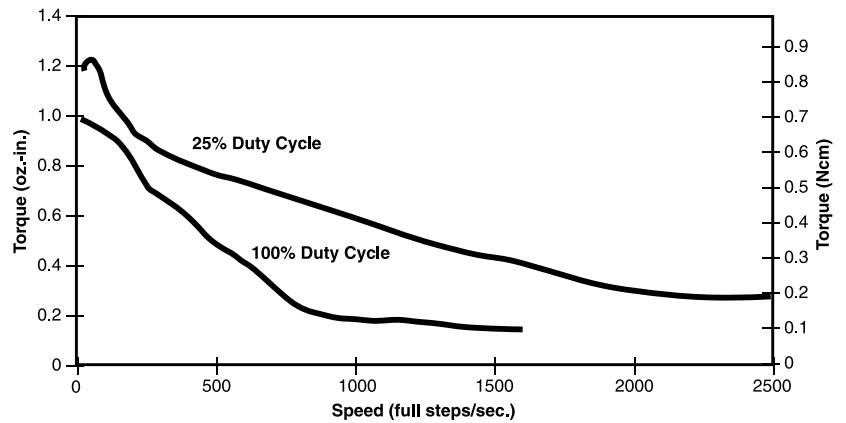
26000 Series: Rotary Motors Performance Curves

Haydon Kerk Motion Solutions, Inc. • www.HaydonKerk.com • Phone: 800.243.2715 • International: 203.756.7441

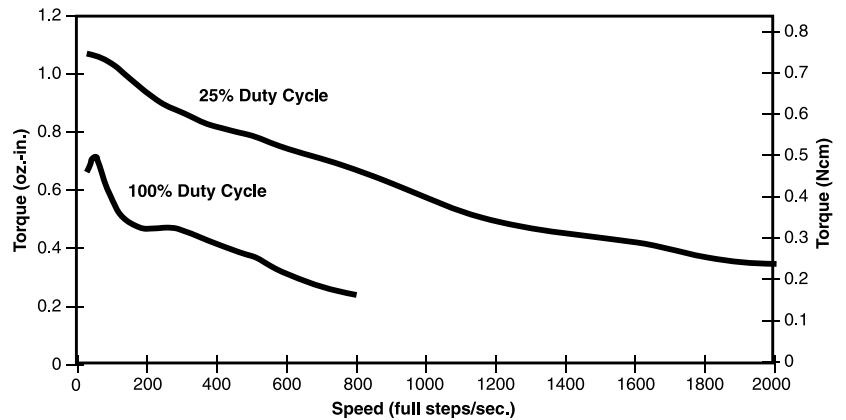
TORQUE vs FULL STEPS/SECOND

Bipolar • L/R Drive 7.5° Step Angle

25% duty cycle is obtained by a special winding or running a standard motor at double the rated voltage.

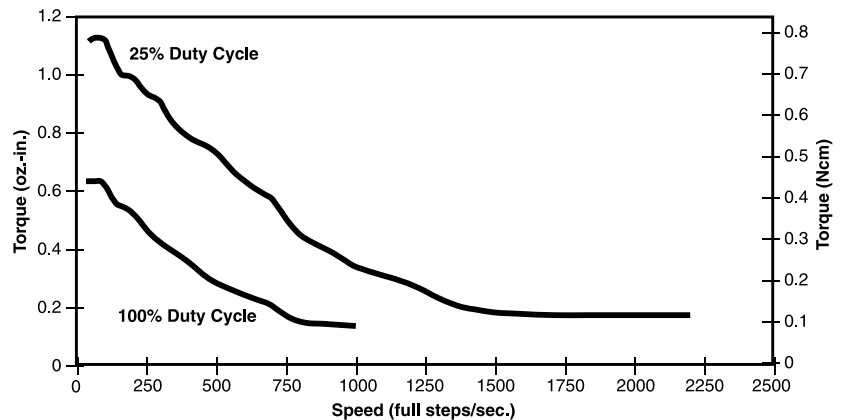


Bipolar • L/R Drive 15° Step Angle



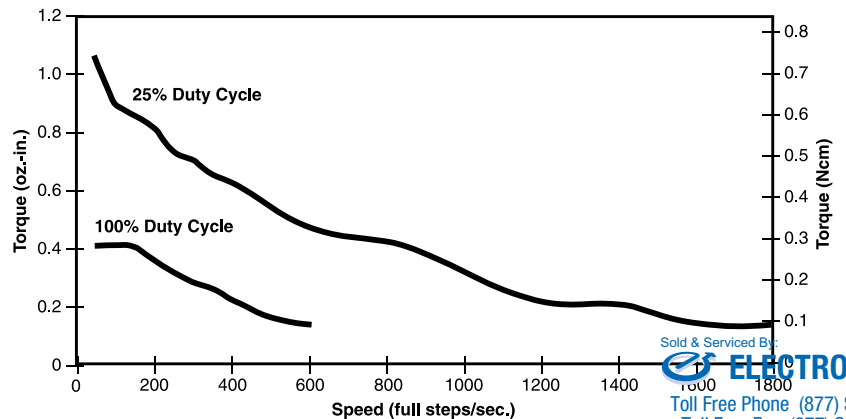
Unipolar • L/R Drive 7.5° Step Angle

25% duty cycle is obtained by a special winding or running a standard motor at double the rated voltage.



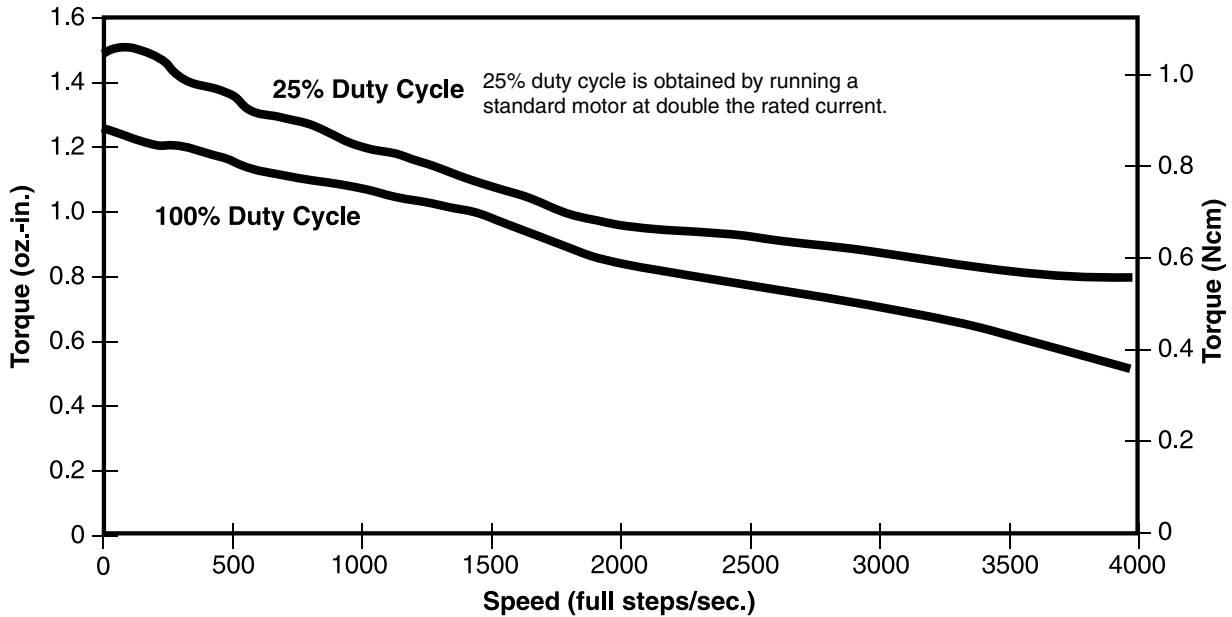
Unipolar • L/R Drive 15° Step Angle

NOTE: Ramping can increase the performance of a motor either by increasing the top speed or getting a heavier load accelerated up to speed faster. Also, deceleration can be used to stop the motor without overshoot.

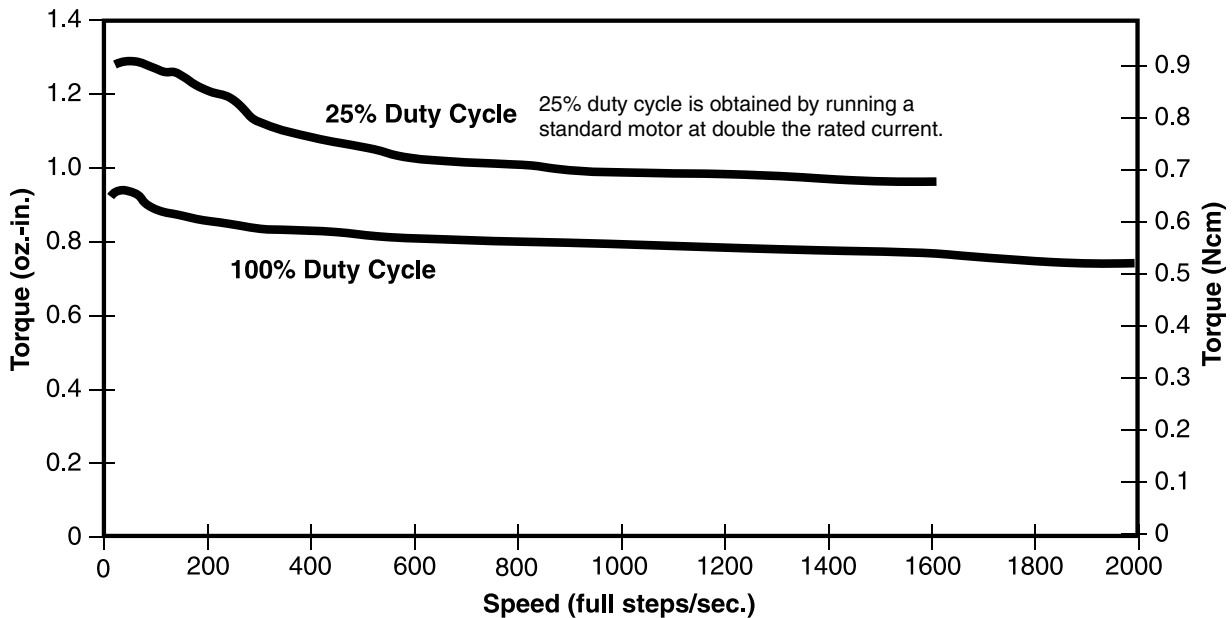


CAN-STACK ROTARY STEPPER MOTORS

TORQUE vs FULL STEP/SECOND
CHOPPER DRIVE • BIPOLAR • 7.5° STEP ANGLE



CHOPPER DRIVE • BIPOLAR • 15° STEP ANGLE



NOTE: All chopper drive curves were created with a 5 Volt motor and a 40 Volt power supply.

Ramping can increase the performance of a motor either by increasing the top speed or getting a heavier load accelerated up to speed faster. Also, deceleration can be used to stop the motor without overshoot.

Z26000 Series: Ø 26 mm (1-in) Rotary Motors



Haydon Kerk Motion Solutions, Inc. • www.HaydonKerk.com • Phone: 800.243.2715 • International: 203.756.7441



Z26000 Series: Ø 26 mm (1.0-in) Economy Rotary Motors

Designed for high volume production

Select Sleeve
or Ball Bearing
Designs

Salient Characteristics

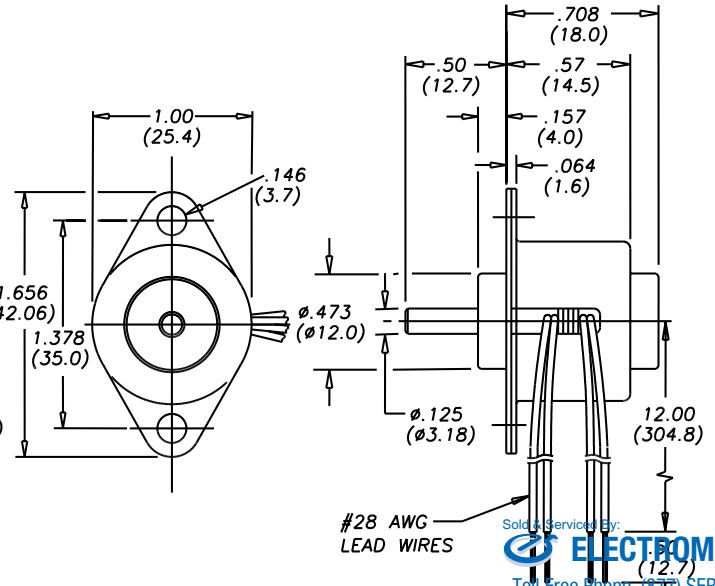
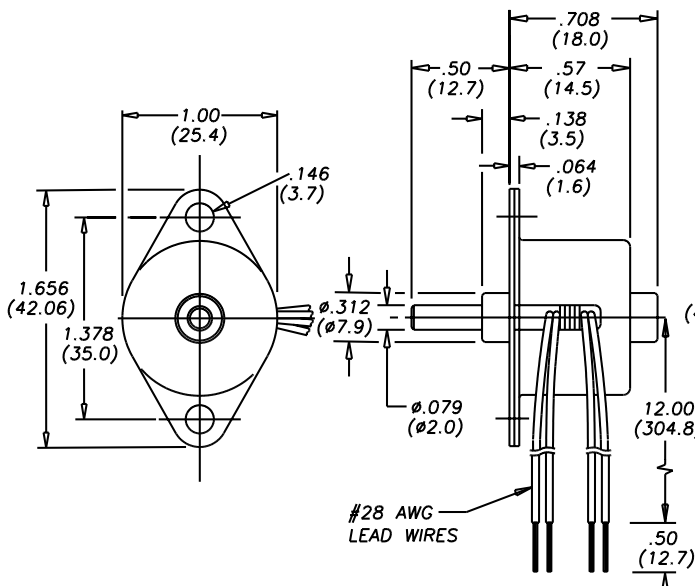
Ø 26 mm (1-in) Rotary Stepper Motor				
Wiring	Bipolar			
Part No. (Sleeve)*	Z26440-05	Z26440-12	Z26540-05	Z26540-12
Step angle	7.5°		15°	
Winding voltage	5 VDC	12 VDC	5 VDC	12 VDC
Current/phase	340 mA	140 mA	340 mA	140 mA
Resistance/phase	14.7 Ω	84 Ω	14.7 Ω	84 Ω
Inductance/phase	8.5 mH	55 mH	6.7 mH	44 mH
Hold torque	1.8 oz-in. (1.27 Ncm)		1.5 oz-in. (1.06 Ncm)	
Detent torque	.25 oz-in. (.18 Ncm)		.35 oz-in. (.25 Ncm)	
Power consumption	3.4 W			
Rotor Inertia	1.40 gcm ²			
Weight	1.15 oz. (32.6 g)			
Insulation resistance	20 MΩ			
Insulation Class	Class B			

Ø 26 mm (1-in) Rotary Stepper Motor				
Unipolar				
Z26460-05	Z26460-12	Z26560-05	Z26560-12	
7.5°		15°		
5 VDC	12 VDC	5 VDC	12 VDC	
340 mA	140 mA	340 mA	140 mA	
14.7 Ω	84 Ω	14.7 Ω	84 Ω	
4.3 mH	24 mH	3.4 mH	19 mH	
1.3 oz-in. (.92 Ncm)		1 oz-in. (.71 Ncm)		
.25 oz-in. (.18 Ncm)		.35 oz-in. (.25 Ncm)		
3.4 W				
1.40 gcm ²				
1.15 oz. (32.6 g)				
20 MΩ				
Class B				

*For Ball Bearings add "-999" to the end of this number

Dimensional Drawings: Sleeve Bearing

Ball Bearing



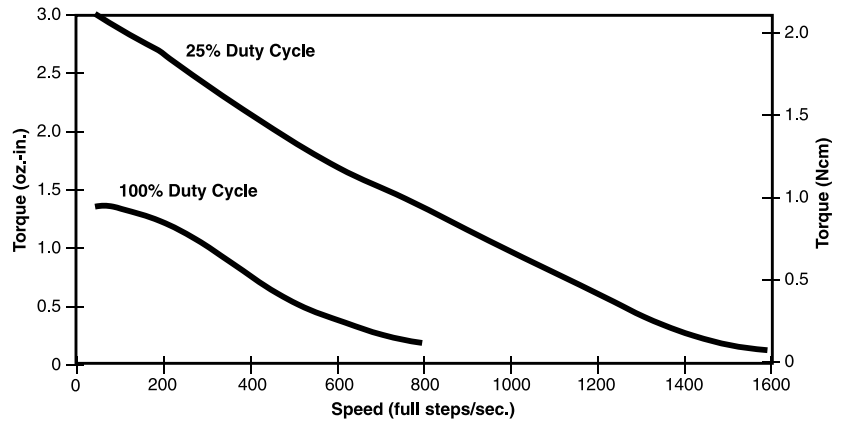
CAN-STACK ROTARY STEPPER MOTORS

Sold & Serviced By:
ELECTROMATE
Toll Free Phone (877) SERV098
Toll Free Fax (877) SERV099
www.electromate.com
sales@electromate.com

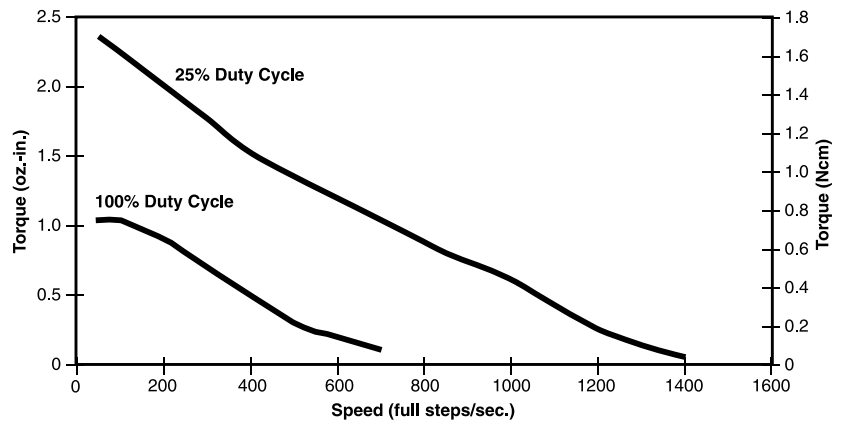
**TORQUE vs
FULL STEPS/SECOND**

**Bipolar • L/R Drive
7.5° Step Angle**

25% duty cycle is obtained by a special winding or running a standard motor at double the rated voltage.

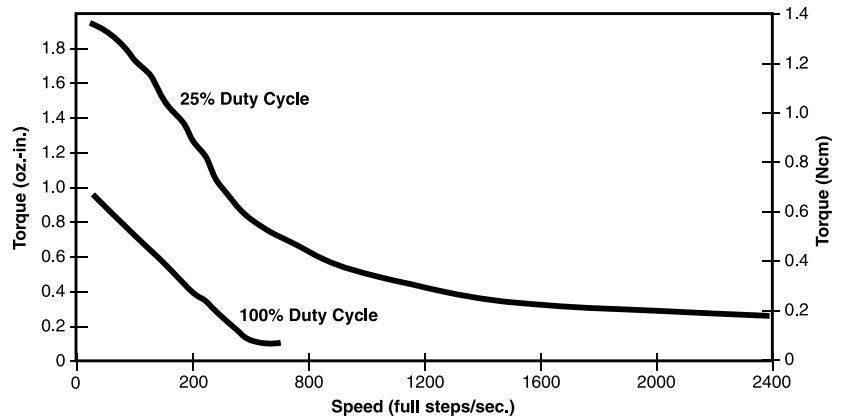


**Bipolar • L/R Drive
15° Step Angle**



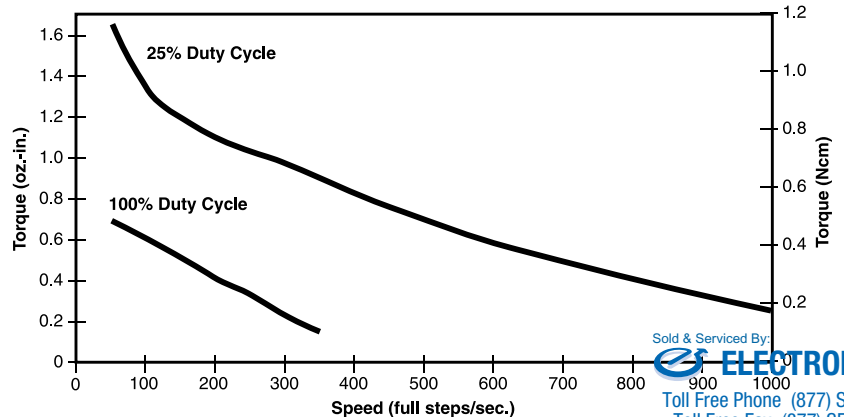
**Unipolar • L/R Drive
7.5° Step Angle**

25% duty cycle is obtained by a special winding or running a standard motor at double the rated voltage.



**Unipolar • L/R Drive
15° Step Angle**

NOTE: Ramping can increase the performance of a motor either by increasing the top speed or getting a heavier load accelerated up to speed faster. Also, deceleration can be used to stop the motor without overshoot.

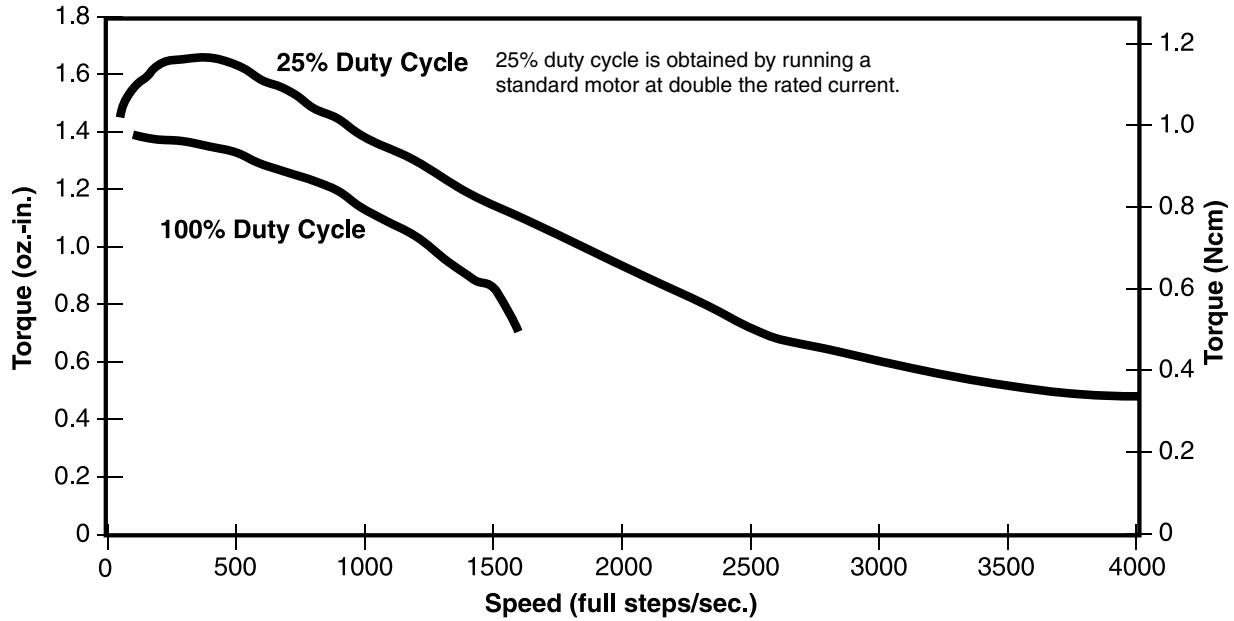


Z26000 Series: Rotary Motors Performance Curves

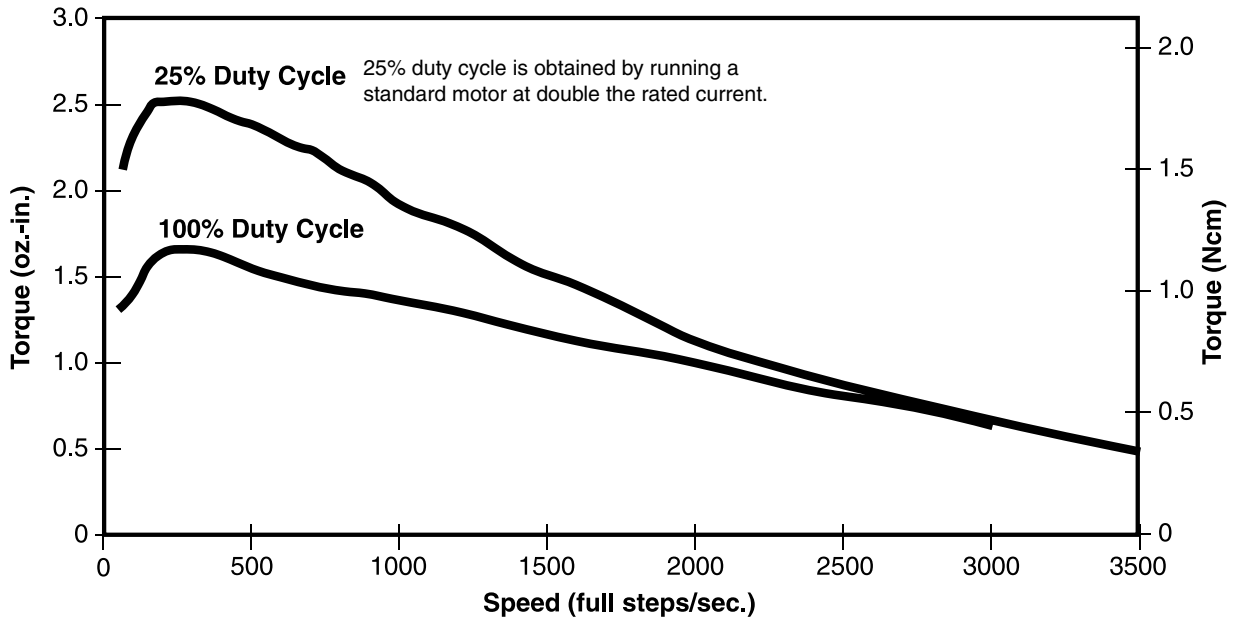


Haydon Kerk Motion Solutions, Inc. • www.HaydonKerk.com • Phone: 800.243.2715 • International: 203.756.7441

TORQUE vs FULL STEP/SECOND CHOPPER DRIVE • BIPOLAR • 7.5° STEP ANGLE



CHOPPER DRIVE • BIPOLAR • 15° STEP ANGLE



NOTE: All chopper drive curves were created with a 5 Volt motor and a 40 Volt power supply.

Ramping can increase the performance of a motor either by increasing the top speed or getting a heavier load accelerated up to speed faster. Also, deceleration can be used to stop the motor without overshoot.

Sold & Serviced By
ELECTROMATE
Toll Free Phone (877) SERV098
Toll Free Fax (877) SERV099
www.electromate.com
sales@electromate.com

36000 Series: Ø 36 mm (1.4-in) Rotary Motors

Select Sleeve
or Ball Bearing
Designs

Other styles available...

- High Temperature Option



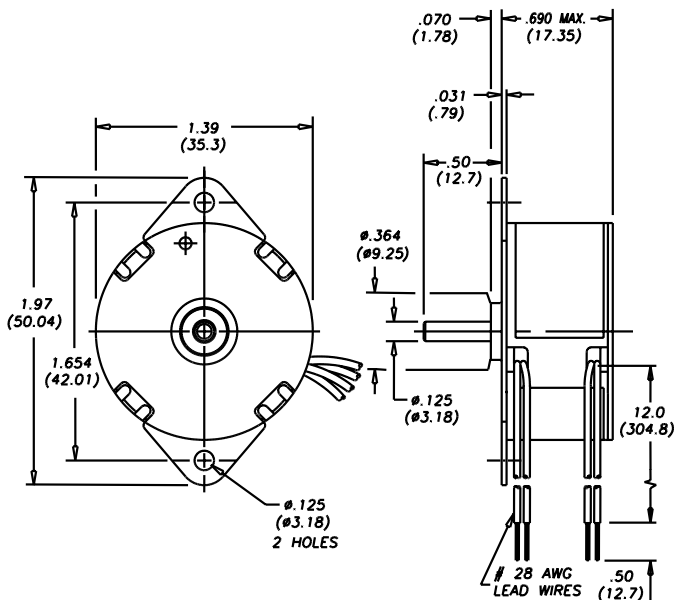
Salient Characteristics

Ø 36 mm (1.4-in) Rotary Stepper Motor				
Wiring	Bipolar			
Part No. (Sleeve)*	36440-05	36440-12	36540-05	36540-12
Step angle	7.5°		15°	
Winding voltage	5 VDC	12 VDC	5 VDC	12 VDC
Current/phase	460 mA	190 mA	460 mA	190 mA
Resistance/phase	11 Ω	63 Ω	11 Ω	63 Ω
Inductance/phase	7.2 mH	45 mH	5.5 mH	35 mH
Hold torque	4.5 oz-in. (3.18 Ncm)		2.9 oz-in. (2.05 Ncm)	
Detent torque	.28 oz-in. (.20 Ncm)		.37 oz-in. (.26 Ncm)	
Power consumption	4.6 W			
Rotor Inertia	10.5 gcm ²			
Weight	2.5 oz. (70 g)			
Insulation resistance	20 MΩ			
Insulation Class	Class B			

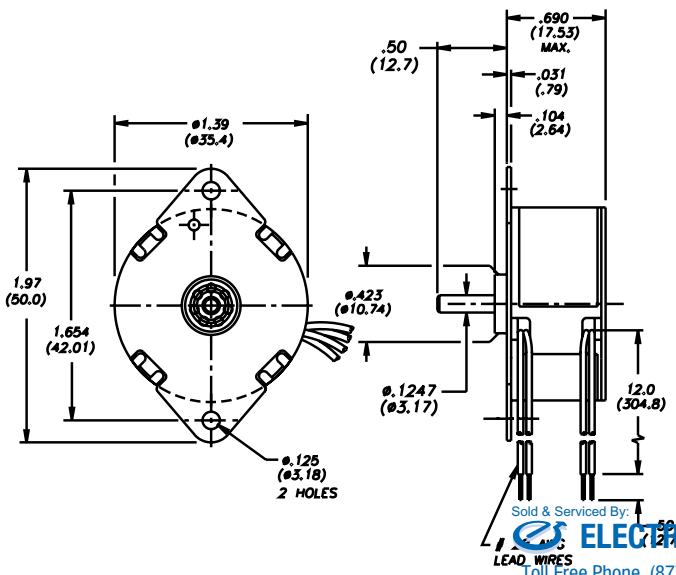
Ø 36 mm (1.4-in) Rotary Stepper Motor				
Unipolar				
Part No.	36460-05	36460-12	36560-05	36560-12
Step angle	7.5°		15°	
Winding voltage	5 VDC	12 VDC	5 VDC	12 VDC
Current/phase	460 mA	190 mA	460 mA	190 mA
Resistance/phase	11 Ω	63 Ω	11 Ω	63 Ω
Inductance/phase	3.8 mH	19 mH	3.0 mH	15 mH
Hold torque	3.0 oz-in. (2.12 Ncm)		2.0 oz-in. (1.41 Ncm)	
Detent torque	.28 oz-in. (.20 Ncm)		.37 oz-in. (.26 Ncm)	
Power consumption	4.6 W			
Rotor Inertia	10.5 gcm ²			
Weight	2.5 oz. (70 g)			
Insulation resistance	20 MΩ			
Insulation Class	Class B			

*For Ball Bearings add "-999" to the end of this number

**Dimensional Drawings:
Sleeve Bearing**



Ball Bearing



CAN-STACK ROTARY
STEPPER MOTORS

Sold & Serviced By:
ELECTROMATE
Toll Free Phone (877) SERV098
Toll Free Fax (877) SERV099
www.electromate.com
sales@electromate.com

36000 Series: Rotary Motors Performance Curves

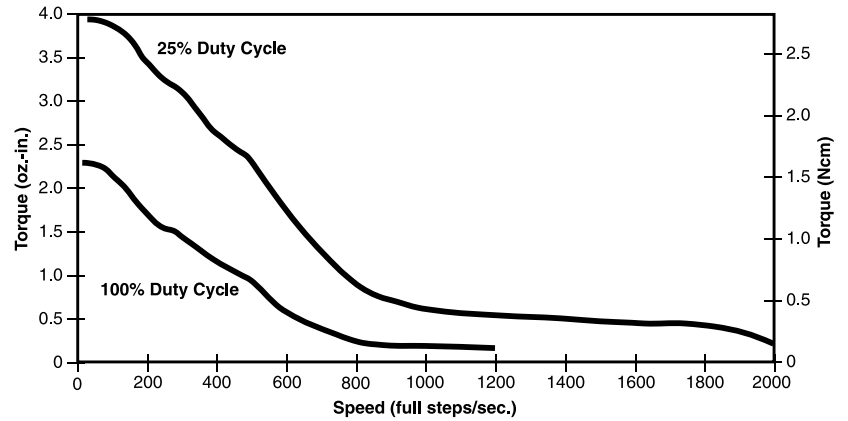


Haydon Kerk Motion Solutions, Inc. • www.HaydonKerk.com • Phone: 800.243.2715 • International: 203.756.7441

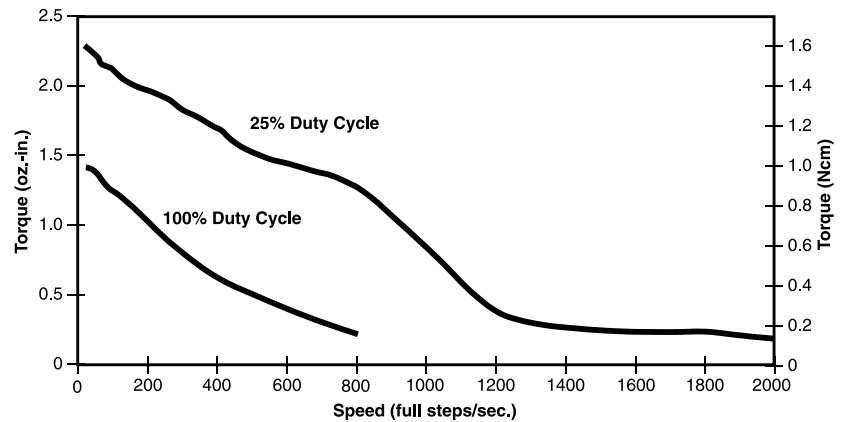
TORQUE vs FULL STEPS/SECOND

Bipolar • L/R Drive 7.5° Step Angle

25% duty cycle is obtained by a special winding or running a standard motor at double the rated voltage.

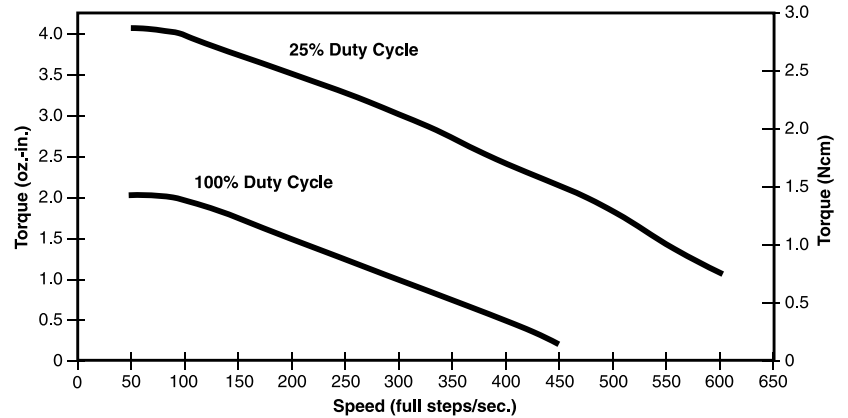


Bipolar • L/R Drive 15° Step Angle



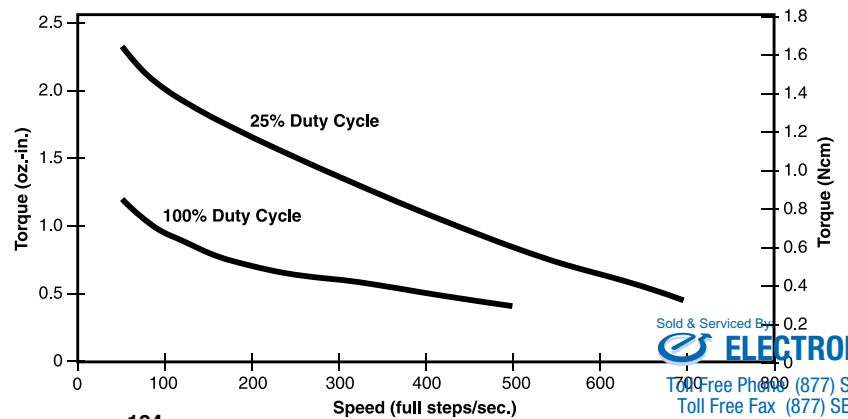
Unipolar • L/R Drive 7.5° Step Angle

25% duty cycle is obtained by a special winding or running a standard motor at double the rated voltage.



Unipolar • L/R Drive 15° Step Angle

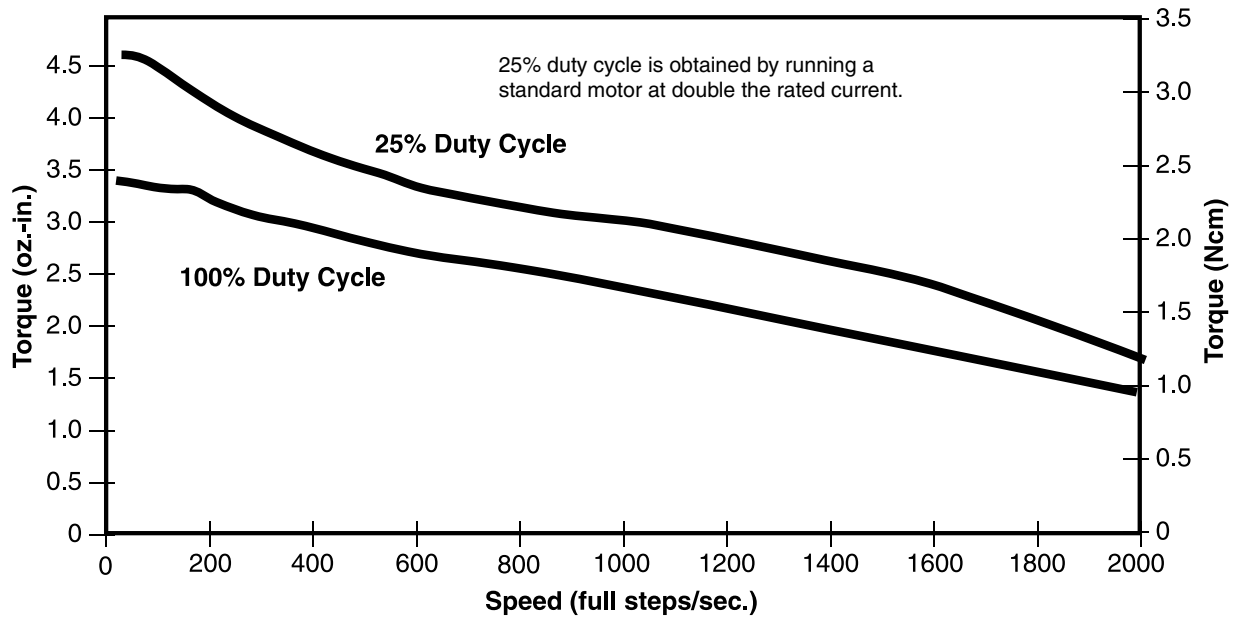
NOTE: Ramping can increase the performance of a motor either by increasing the top speed or getting a heavier load accelerated up to speed faster. Also, deceleration can be used to stop the motor without overshoot.



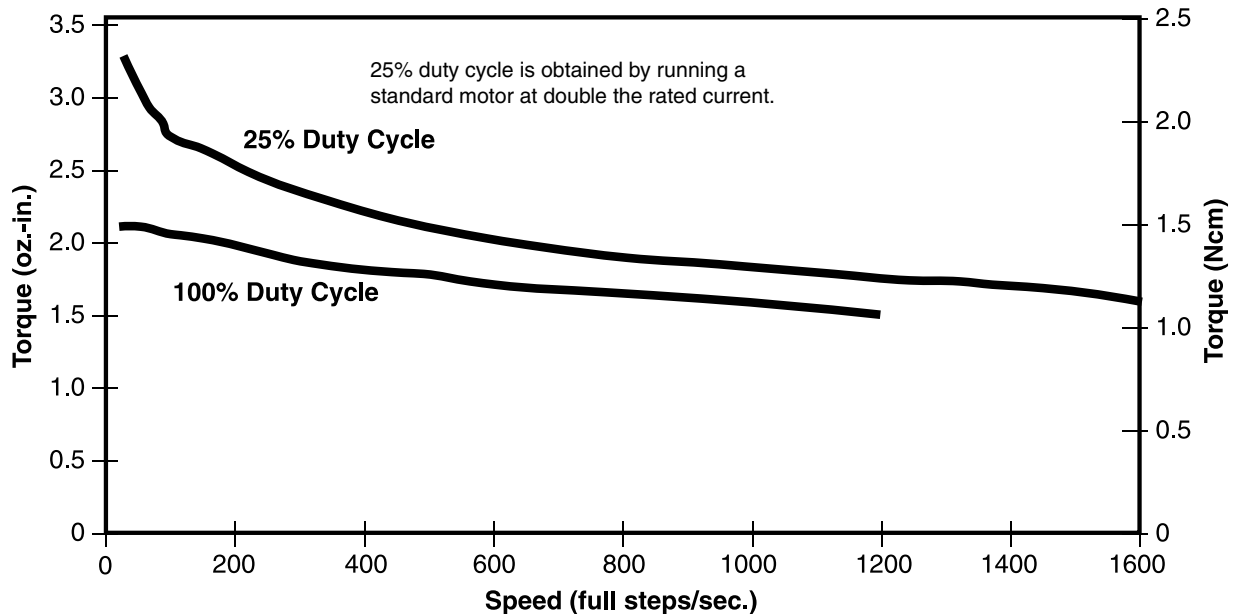
CAN-STACK ROTARY STEPPER MOTORS

Sold & Serviced By
ELECTROMATE
Toll Free Phone (877) SERV098
Toll Free Fax (877) SERV099
www.electromate.com
sales@electromate.com

TORQUE vs FULL STEP/SECOND CHOPPER DRIVE • BIPOLAR • 7.5° STEP ANGLE



CHOPPER DRIVE • BIPOLAR • 15° STEP ANGLE



NOTE: All chopper drive curves were created with a 5 Volt motor and a 40 Volt power supply.

Ramping can increase the performance of a motor either by increasing the top speed or getting a heavier load accelerated up to speed faster. Also, deceleration can be used to stop the motor without overshoot.

46000 Series: Ø 46 mm (1.8-in) Rotary Motors



Haydon Kerk Motion Solutions, Inc. • www.HaydonKerk.com • Phone: 800.243.2715 • International: 203.756.7441



46000 Series: Ø 46 mm (1.8-in) Rotary Motors

Our most powerful rotary motor

Select Sleeve
or Ball Bearing
Designs

Other styles available...

- High Temperature Option

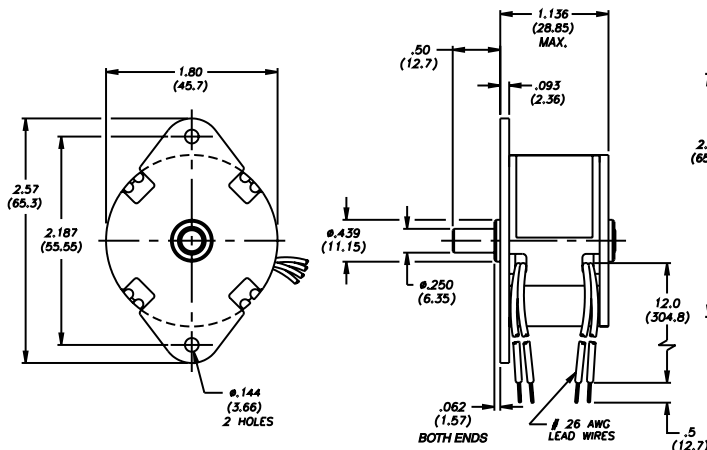
Salient Characteristics

Ø 46 mm (1.8-in) Rotary Stepper Motor				
Wiring	Bipolar			
Part No. (Sleeve)*	46440-05	46440-12	46540-05	46540-12
Step angle	7.5°		15°	
Winding voltage	5 VDC	12 VDC	5 VDC	12 VDC
Current/phase	1.0 A	.41 A	1.0 A	.41 A
Resistance/phase	5 Ω	29 Ω	5 Ω	29 Ω
Inductance/phase	9.0 mH	52 mH	7.1 mH	39 mH
Hold torque	16 oz-in. (11.30 Ncm)		8.5 oz-in. (6.00 Ncm)	
Detent torque	.90 oz-in. (.64 Ncm)		1.0 oz-in. (.71 Ncm)	
Power consumption	10 W			
Rotor Inertia	25.0 gcm ²			
Weight	7.8 oz. (220 g)			
Insulation resistance	20 MΩ			
Insulation Class	Class B			

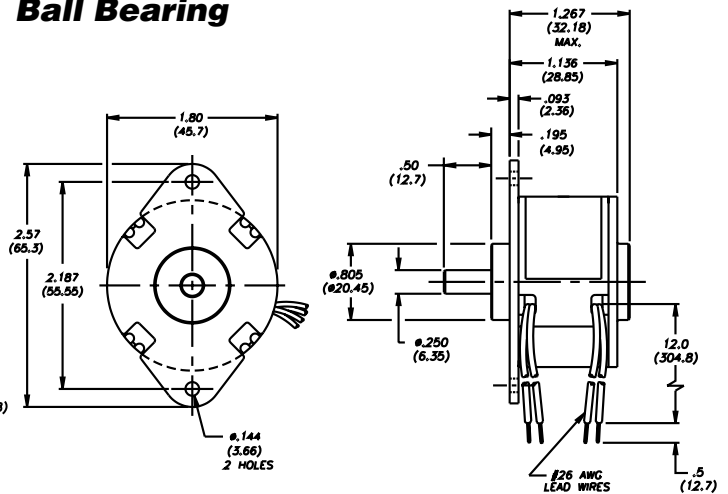
Ø 46 mm (1.8-in) Rotary Stepper Motor				
Unipolar				
Part No. (Sleeve)*	46460-05	46460-12	46560-05	46560-12
Step angle	7.5°		15°	
Winding voltage	5 VDC	12 VDC	5 VDC	12 VDC
Current/phase	1.0 A	.41 A	1.0 A	.41 A
Resistance/phase	5 Ω	29 Ω	5 Ω	29 Ω
Inductance/phase	4.5 mH	26 mH	3.5 mH	20 mH
Hold torque	13.0 oz-in. (9.18 Ncm)		6.0 oz-in. (4.24 Ncm)	
Detent torque	.90 oz-in. (.64 Ncm)		1.0 oz-in. (.71 Ncm)	
Power consumption	10 W			
Rotor Inertia	25 gcm ²			
Weight	7.8 oz. (220 g)			
Insulation resistance	20 MΩ			
Insulation Class	Class B			

*For Ball Bearings add “-999” to the end of this number

Dimensional Drawings: Sleeve Bearing



Ball Bearing



Sold & Serviced By:
ELECTROMATE

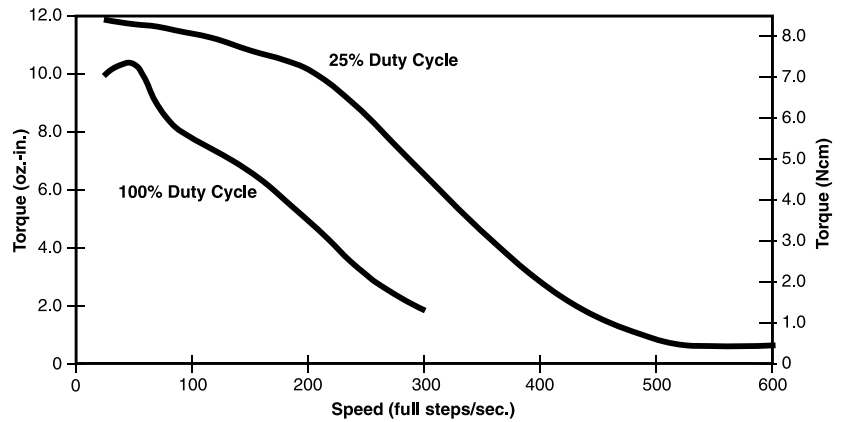
Toll Free Phone (877) SERV098
Toll Free Fax (877) SERV099
www.electromate.com
sales@electromate.com

CAN-STACK ROTARY
STEPPER MOTORS

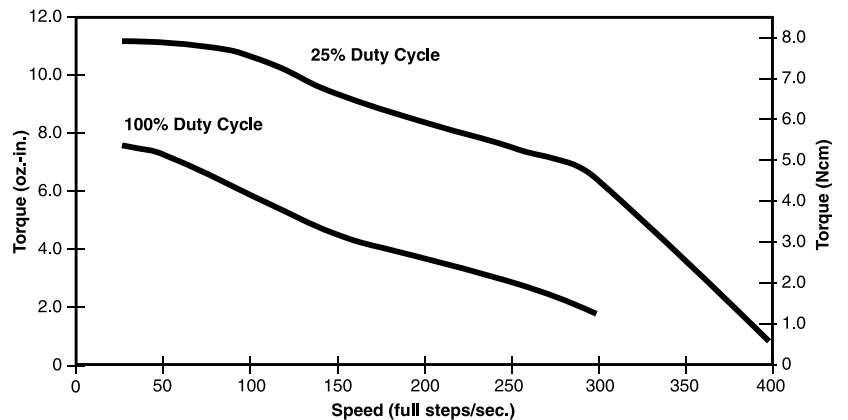
**TORQUE vs
FULL STEPS/SECOND**

**Bipolar • L/R Drive
7.5° Step Angle**

25% duty cycle is obtained by a special winding or running a standard motor at double the rated voltage.

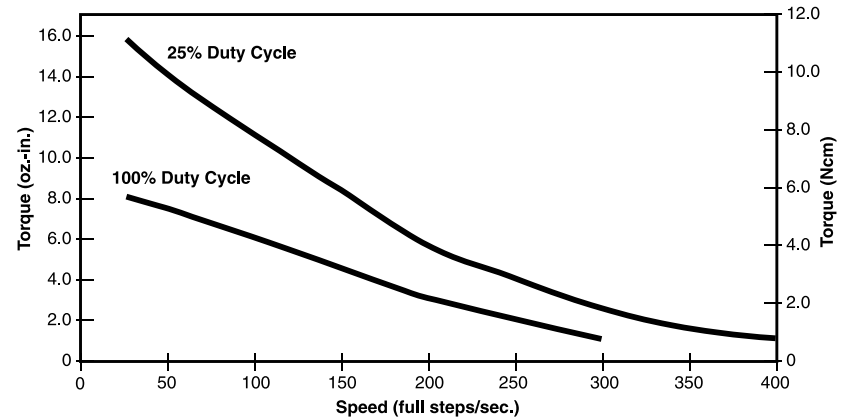


**Bipolar • L/R Drive
15° Step Angle**



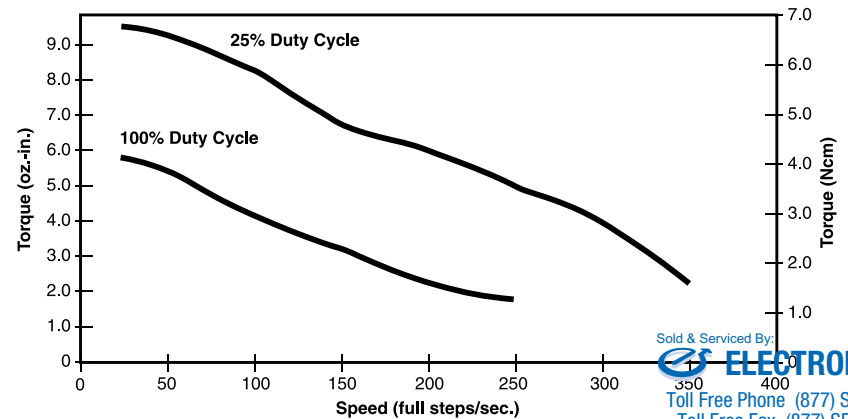
**Unipolar • L/R Drive
7.5° Step Angle**

25% duty cycle is obtained by a special winding or running a standard motor at double the rated voltage.



**Unipolar • L/R Drive
15° Step Angle**

NOTE: Ramping can increase the performance of a motor either by increasing the top speed or getting a heavier load accelerated up to speed faster. Also, deceleration can be used to stop the motor without overshoot.

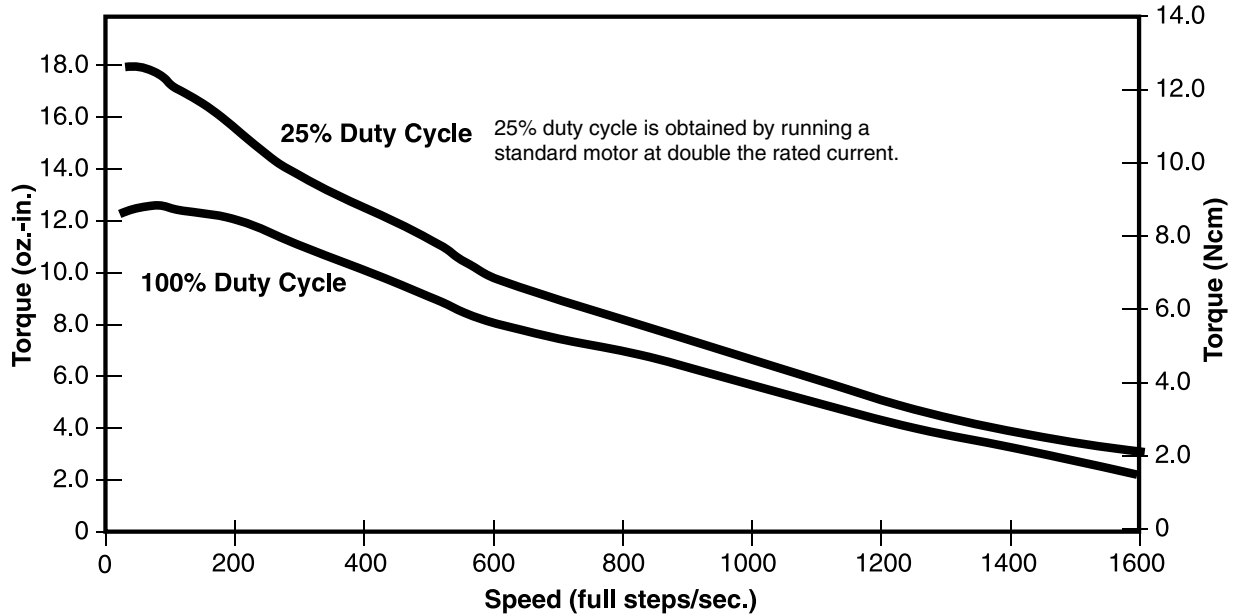


46000 Series: Rotary Motors Performance Curves

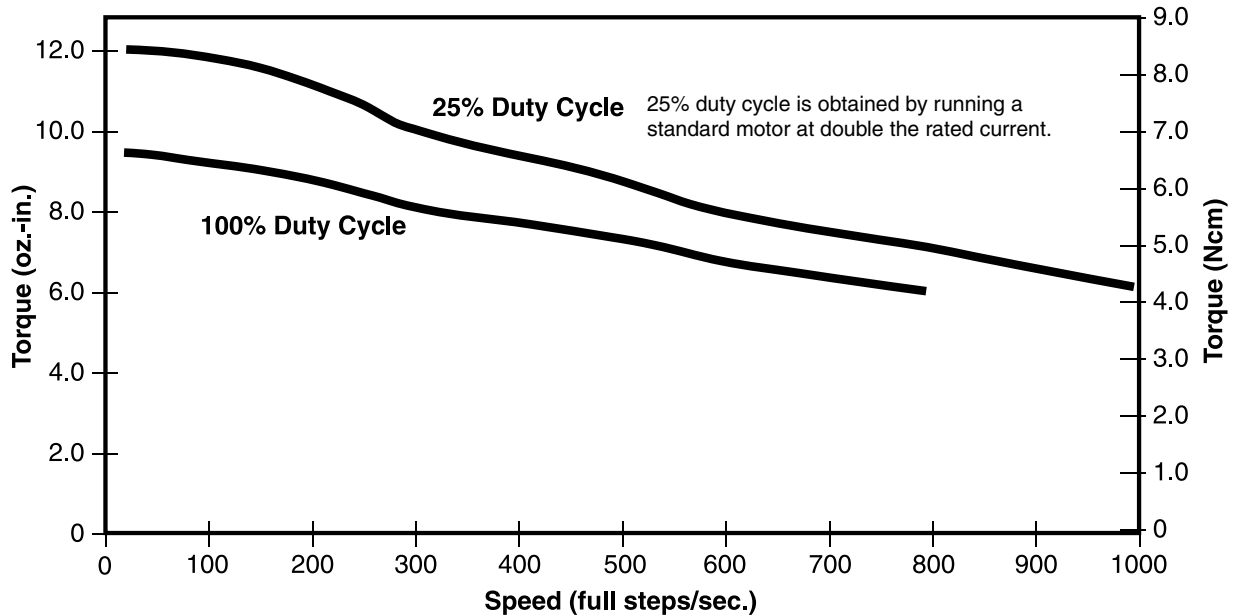


Haydon Kerk Motion Solutions, Inc. • www.HaydonKerk.com • Phone: 800.243.2715 • International: 203.756.7441

TORQUE vs FULL STEP/SECOND CHOPPER DRIVE • BIPOLAR • 7.5° STEP ANGLE



CHOPPER DRIVE • BIPOLAR • 15° STEP ANGLE



NOTE: All chopper drive curves were created with a 5 Volt motor and a 40 Volt power supply.

Ramping can increase the performance of a motor either by increasing the top speed or getting a heavier load accelerated up to speed faster. Also, deceleration can be used to stop the motor without overshoot.

Sold & Serviced By
ELECTROMATE
Toll Free Phone (877) SERV098
Toll Free Fax (877) SERV099
www.electromate.com
sales@electromate.com



Pancake Low Profile and AC Synchronous Motors

Pancake Low Profile Stepper Motors



Haydon Kerk Motion Solutions, Inc. • www.HaydonKerk.com • Phone: 800.243.2715 • International: 203.756.7441

80000 Series Pancake Stepper Motors with very low profiles and high torque



The Haydon™ 80000 Series stepper motor is designed for applications where accurate positioning, high torque and very thin packaging are desirable characteristics. This motor has a maximum diameter of 3.15-in (80 mm) and is less than 1/2-in (12.7 mm) thick.

Typical two-phase can-stack motors have coils mounted alongside each other, requiring a certain minimum thickness.

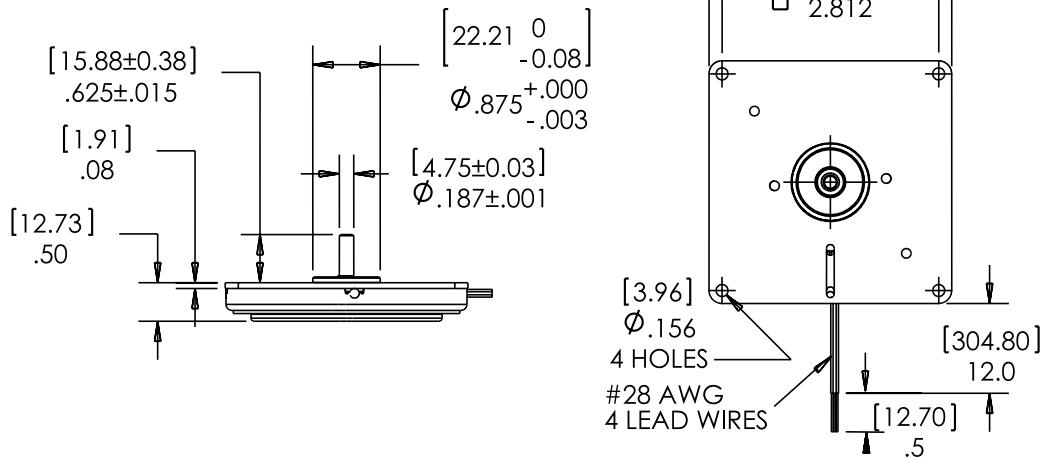
This pancake motor features a patented design, in which one coil is mounted inside the other. The motor's permanent magnet rotor is a ring that is located in between the coils.

Applications include business machines, computer peripherals and industrial equipment and automation. Accommodations can be made for configurations that require unipolar coils, special shafts and other mountings.

Salient Characteristics

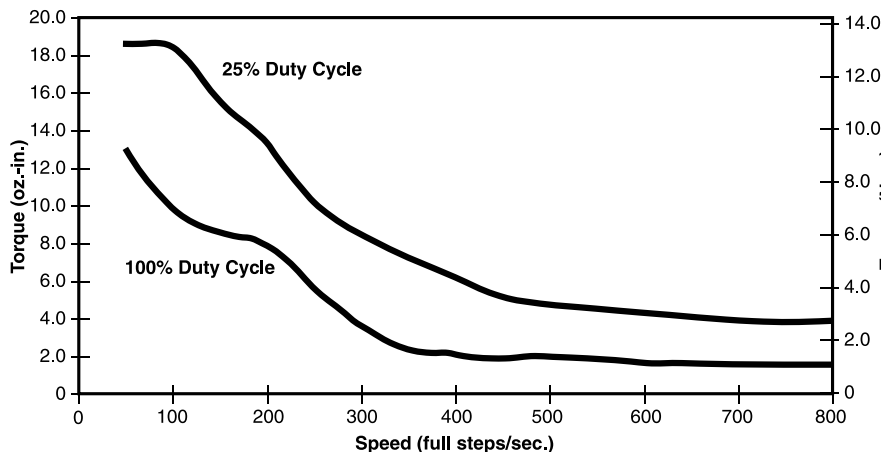
Ø 80 mm (3.15-in) Pancake Stepper	
Part number	80240-12
Wiring	Bipolar (Unipolar optional)
Step angle	3.75°
Winding voltage	12 VDC
Current/phase	.50 A
Resistance/phase	24 Ω
Inductance/phase	24 mH
Hold torque	20 oz-in (14.12 Ncm)
Power consumption	12 W
Rotor Inertia	120 gcm ²
Weight	7.75 oz (220 g)
Insulation resistance	20 MΩ
Insulation Class	Class A
Bearings	Radial Ball

80000 Series Dimensional Drawing



Torque vs Full Step per Second

L/R Drive Bipolar

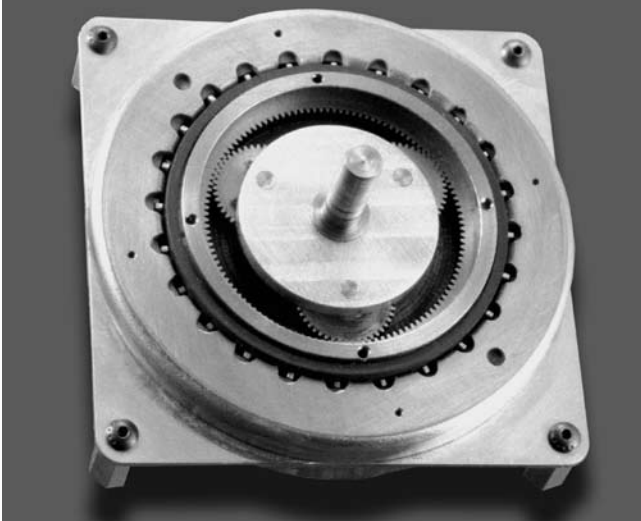


NOTE: Ramping can increase the performance of a motor either by increasing the top speed or getting a heavier load accelerated up to speed faster. Also, deceleration can be used to stop the motor without overshoot.



Toll Free Phone (877) SERV098
Toll Free Fax (877) SERV099
www.electromate.com
sales@electromate.com

0.75-in (20 mm) height, 3.15-in (80 mm) sq. and 100 oz.-in. (70 Ncm) of torque



Part modified to illustrate gearing. Actual gears are not exposed in standard packaging.

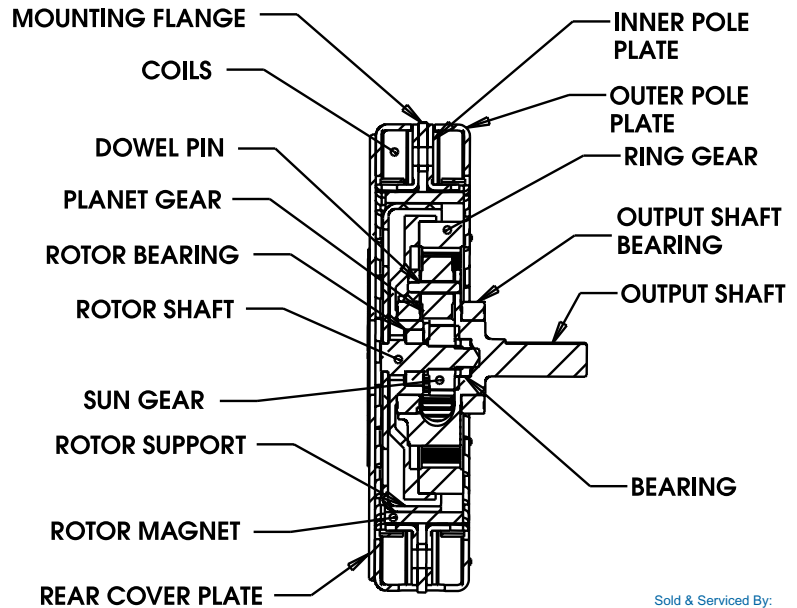
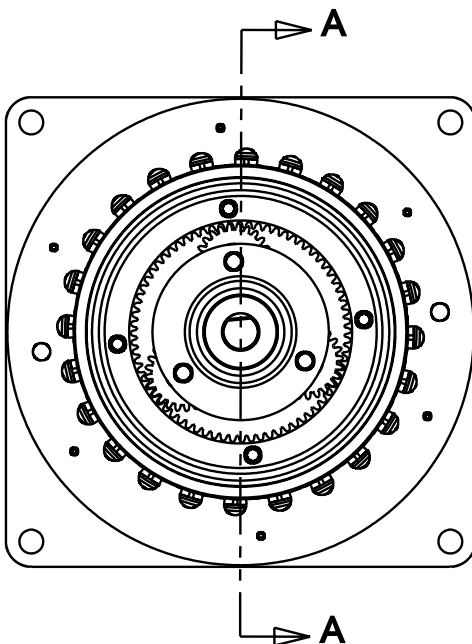
For a given size motor, the larger the rotor the greater the torque. Haydon Kerk Motion Solutions, Inc. provides an advanced, compact, low profile pancake stepper motor with a specially engineered, rotor-embedded, single-stage planetary gear train...designed to meet or exceed your most demanding small space high-torque applications.

Salient Characteristics

Ø 80 mm (3.15-in.) Planetary Gear Train Pancake Stepper Motor			Code
Part number	80GHX - V - Z		
Wiring (Part # code Z)	Bipolar		Z = 42
Gear Ratios/Step angle (Part # code X)	4:1 = 0.9375°		X = 04
Winding voltage (Part # code V)	5 VDC		V = 05
		12 VDC	V = 12
Current/phase	1.4 A	.58 A	
Resistance/phase*	3.6 Ω	20.6 Ω	
Step Angle	3.75		
Insulation resistance	20 mΩ		
Power consumption	14 W		
Weight	12 oz (343 g)		
Insulation Class	Class A		
Operating Temperature	32° - 122°F (0 - 50°C)		
Travel direction	Rise) Reversible		
Bearings	Radial Ball		

*±10% at 25°C (77°F) ambient

Planetary Gear Train Components

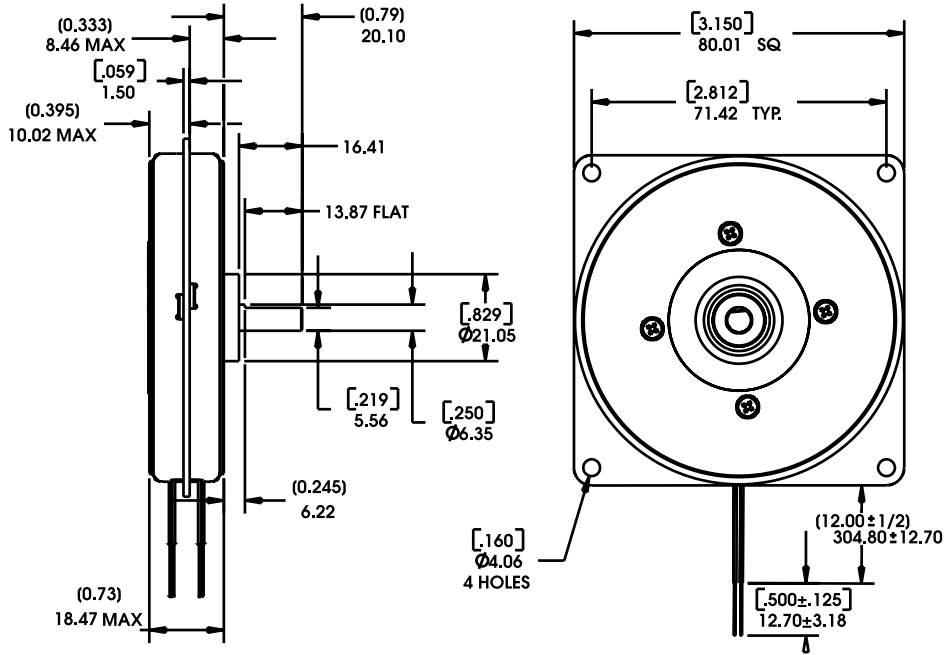


LOW PROFILE STEPPER MOTORS

Planetary Gear Train Dimensional Drawing

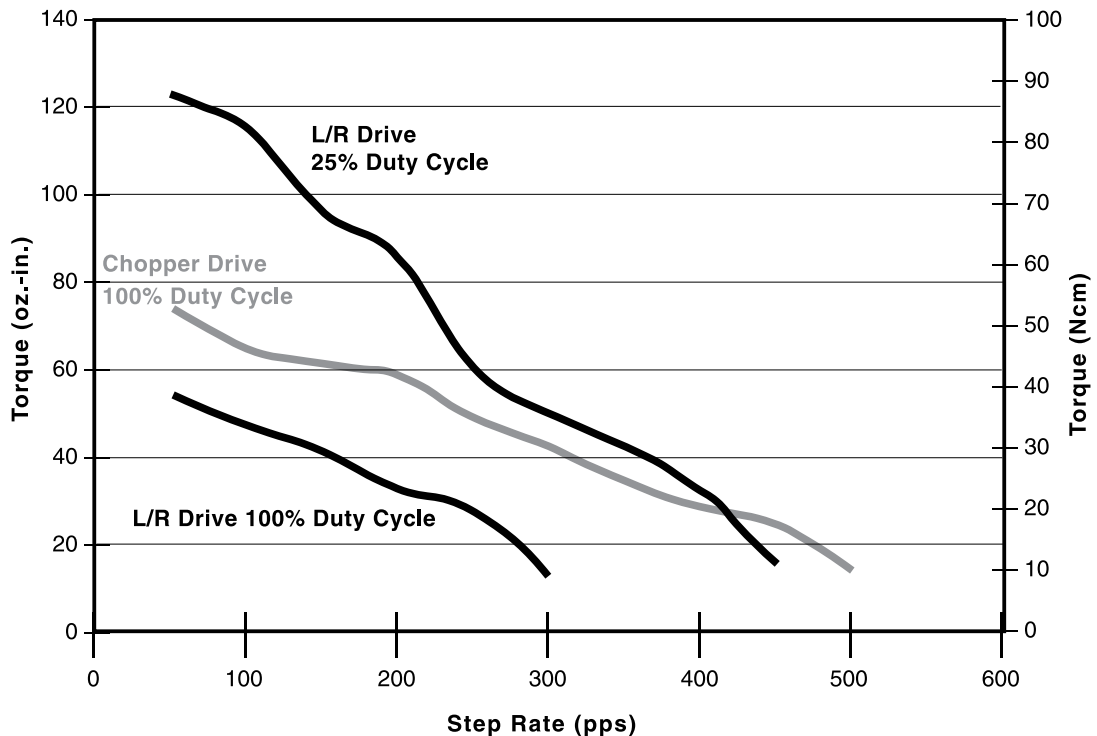
Haydon Kerk Motion Solutions, Inc. • www.HaydonKerk.com • Phone: 800.243.2715 • International: 203.756.7441

80GHX



Planetary Gear Train Performance Curves

Torque vs Full Step/Second • 4:1 Gear Ratio



PANCAKE / LOW PROFILE STEPPER MOTORS

NOTE: Ramping can increase the performance of a motor either by increasing the top speed or getting a heavier accelerated up to speed faster. Also, deceleration can be used to stop the motor without overshoot.

Sold & Serviced By:
ELECTROMATE
Toll Free Phone (877) SERV098
Toll Free Fax (877) SERV099
www.electromate.com
sales@electromate.com

AC Synchronous Motors



Stepping motors can also be run on AC (Alternating Current). However, one phase must be energized through a properly selected capacitor. In this case the motor is limited to only one synchronous speed. For instance, if 60 hertz is being supplied, there are 120 reversals or alterations of the power source. The phase being energized by a capacitor is also producing the same number of alterations at an offset time sequence. The motor is really being energized at the equivalent of 240 steps per second. For a 15° rotary motor, 24 steps are required to make one revolution (24 SPR). This becomes a 600 RPM synchronous motor.

$$\frac{240 \text{ Steps per Revolution} \times 60 \text{ seconds}}{24 \text{ Steps per Revolution}} = 600 \text{ RPM}$$

In the case of a linear actuator the linear speed produced is dependent on the resolution per step of the motor. For example if 60 hertz is supplied to a .001-in/step motor the resulting speed is .240-in per second (240 steps per second times .001-in/step). Many of the Haydon™ stepping motors are available as 300 or 600 RPM AC synchronous motors.

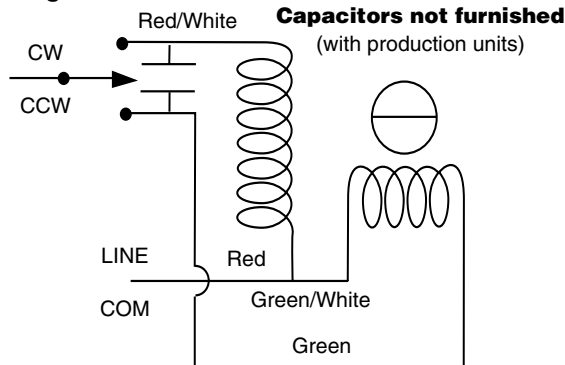
AC Hybrid Linear Actuators

Electrical Data

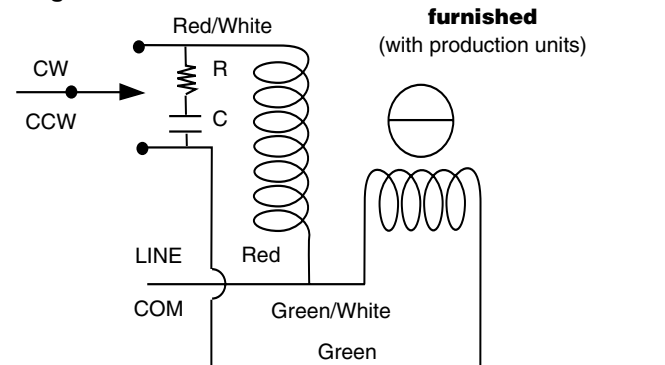
Series	Size	Watts	AMPS	Capacitor	Capacitor	Coil Resistance		Connection Diagram
				(Mfd) @ 60 Hz	(Mfd) @ 50 Hz	Main Wind. (Ohms)	Cap. Wind.	
35000	14	5.7	0.21	15	15	300	300	3
43000	17	6.5	0.27	15	15	104	104	3
57000	23	13.0	0.60	30	40	35	35	3
87000*	34	30.0	2.00	200	200	2.3	2.3	4

* With 12 OHM, 100 watt resistor in series

Diag. 3



Diag. 4



Motor part numbers are for a captive shaft. **For a non-captive shaft**, change the middle letter from an "H" to an "F". Example 1: A35H47-24 with a non-captive shaft becomes A35F47-24.

Exception: A43K4U-24 and A43K4V-24, for a non-captive shaft substitute "J" in place of the "K".

Example 2: A43K4U-24 with a non-captive shaft becomes A43J4U-24.

For an external linear shaft, add the three digit suffix - 800 to the captive shaft part number.

Example 3: A35H47-24 with an external linear shaft becomes A35H47-24-800.

All standard motors operate at 24 Volts, represented in the part number by the suffix - 24 (A35H47-24).

AC Synchronous Stepping Motors

Haydon Kerk Motion Solutions, Inc. • www.HaydonKerk.com • Phone: 800.243.2715 • International: 203.756.7441

AC Can-Stack Linear Actuators

For electrical data refer to the Rotary Motor Chart below.

Motor Part No.	Linear Speed @ 60 Hz		Linear Speed @ 50 Hz		Maximum Force	
	(inches/sec.)	(cm/sec.)	(inches/sec.)	(cm/sec.)	(lbs.)	(Newtons)
Z20541-24-700	0.24	0.610	0.20	0.508	5.5	24
Z20542-24-700	0.48	1.219	0.40	1.016	3.0	13
Z20544-24-700	0.96	2.438	0.80	2.032	1.8	8
A26443-24	0.12	0.305	0.10	0.254	7.4	33
A26441-24	0.24	0.610	0.20	0.508	4.4	20
A26542-24	0.48	1.219	0.40	1.016	3.5	16
A26544-24	0.96	2.438	0.80	2.032	2.0	9
Z26443-24-700	0.12	0.305	0.10	0.254	13.0	58
Z26441-24-700	0.24	0.610	0.20	0.508	8.3	37
Z26542-24-700	0.48	1.219	0.40	1.016	6.6	29
Z26544-24-700	0.96	2.438	0.80	2.032	3.3	15
A36443-24 **	0.12	0.305	0.10	0.254	16.0	71
A36441-24 **	0.24	0.610	0.20	0.508	12.0	53
A36442-24 **	0.48	1.219	0.40	1.016	6.0	27
A36544-24 **	0.96	2.438	0.80	2.032	3.0	13
A46443-24 **	0.12	0.305	0.10	0.254	43	191
A46441-24 **	0.24	0.610	0.20	0.508	34	151
A46442-24 **	0.48	1.219	0.40	1.016	20	89
A46544-24 **	0.96	2.438	0.80	2.032	11	49
A46548-24 **	1.92	4.877	1.60	4.064	5.4	24
A4654G-24 **	3.84	9.754	3.20	8.128	2.7	12

** Select motors available with 24 Volts or 120 Volts (replace 24 with 120).

Motor part numbers are for a captive shaft. **For a non-captive shaft**, change the third digit from a "4" to an "3".

Example 1: A26**4**41-24 with a non-captive shaft becomes A26**3**41-24.

Exception: When the third digit is "5" for a non-captive shaft substitute "8". Example 2: A26**5**44-24 with a non-captive shaft becomes A26**8**44-24.

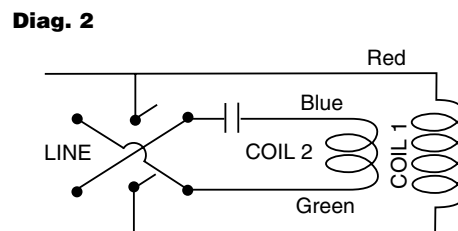
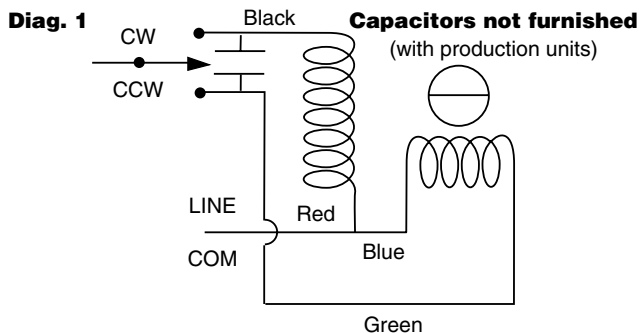
For an external linear shaft, add the three digit suffix - 800 to the captive shaft part number.

Example 3: A26441-24 with an external linear shaft becomes A26441-24-**800**.

All standard motors operate at 24 Volts, represented in the part number by the suffix - 24 (A36443-**24**).

AC Rotary Motors

Motor Part No.	Rotary Speed (RPMs) @		Torque		Watts	Amps	Capacitor @		Connection Diagram	Coil Resistance (Ohms)	
	60 Hz	50 Hz	(oz-in)	(N-cm)			60 Hz	50 Hz		Main Wind.	Cap. Wind.
Z20540-24-700	600	500	0.5	0.4	2.5	.15	12.5	12.5	2	300	75
A26440-24	300	250	0.9	0.6	3.4	.20	15.0	15.0	2	214	54
A26540-24	600	500	0.9	0.6	3.4	.20	15.0	20.0	2	214	54
Z26440-24-700	300	250	1.2	0.8	3.4	.19	15.0	15.0	2	214	54
Z26540-24-700	600	500	1.5	1.1	3.4	.19	15.0	15.0	2	214	54
A36240-24	150	125	2.5	1.8	4.6	.23	20.0	20.0	2	160	40
A36440-24	300	250	2.6	1.8	4.6	.23	20.0	20.0	2	160	40
A36540-24	600	500	1.3	0.9	4.6	.23	20.0	20.0	2	160	40
A46440-24	300	250	8.5	6.0	10.0	.38	20.0	20.0	1	29	29
A46540-24	600	500	6.5	4.6	10.0	.38	20.0	25.0	1	58	58
A36240-120	150	125	2.5	1.8	4.6	.05	0.8	0.8	2	4000	1000
A36440-120	300	250	2.6	1.8	4.6	.05	0.8	0.8	2	4000	1000
A36540-120	600	500	1.3	0.9	4.6	.05	0.8	0.8	2	4000	1000
A46440-120	300	250	8.5	6.0	10.0	.08	0.8	0.8	1	725	725
A46540-120	600	500	6.5	4.6	10.0	.08	0.8	1.0	1	1450	1450



Electronic Drives for Stepper Motors



The IDEA™ Drive Stepper Motor Controller

A stepper motor drive and fully programmable control unit that uses an intuitive patent-pending Graphic User Interface (GUI). The IDEA Drive technology is available in several different configurations including an external programmable drive and controller, or integrated with a linear actuator to form a complete package of motor, actuator, and programmable drive.



Features include:

- RoHS Compliant
- Stand-alone unit or integrated with Haydon linear actuators / rail systems
- Programming done through Graphic User Interface (GUI)
- Automatic population of motor and drive parameters
- Programmable Speed / Current / Accel-Decel / Current Boost / Interrupts / I/O
- Encoder Input / Stall Detection with Compensation / Position Verification
- USB or RS-485 Communication protocols
- Movement profile plotter
- Interactive program debug feature

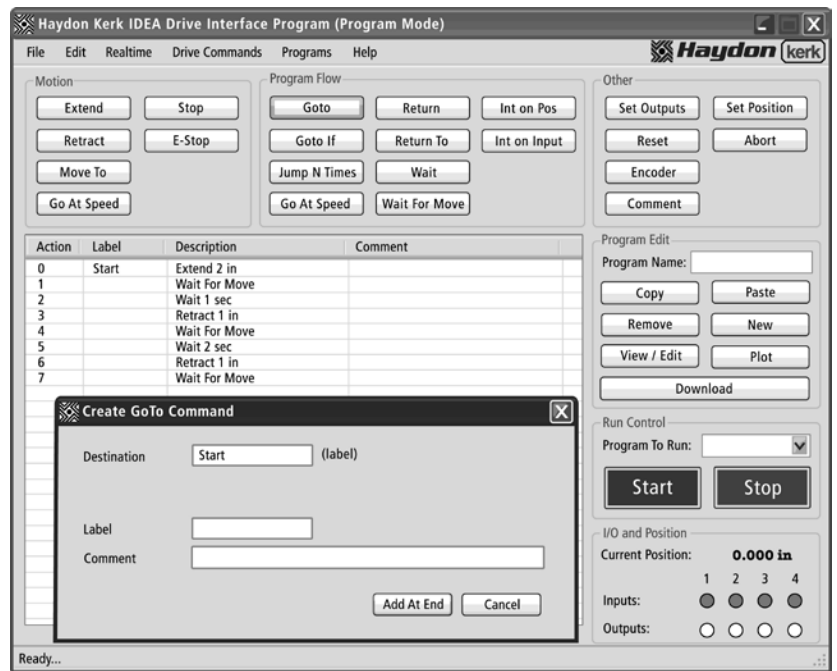
IDEA Drive Part Number	PCM4806E	PCM4826E	PCM7539E	ACM4806E	ACM4826E	ACM7539E
Drive Input Voltage Range	12 to 48 VDC	12 to 48 VDC	12 to 75 VDC	12 to 48 VDC	12 to 48 VDC	12 to 75 VDC
Max Drive Current / Phase	0.6 A rms	2.6 A rms	3.85 A rms	0.6 A rms	2.6 A rms	3.85 A rms
Current Boost Capability	Optional 30% current boost capability during ramping					
Communication	USB (mini B)	USB (mini B)	USB (mini B)	RS-485	RS-485	RS-485
Step Modes	Full, Half, 1/4, 1/8, 1/16, 1/32, 1/64					
Digital I/O Voltage Range	5 to 24 VDC					
Digital Inputs	4					
Digital Input Max Current	8 mA (each)	8 mA (each)	8 mA (each)	8 mA (each)	8 mA (each)	8 mA (each)
Digital Outputs (Sinking)	4					
Digital Output Max Current (Sinking)	200 mA					
Maximum Temperature	70° measured at heat sink					
Program Storage Size	85 Kbytes					
Program Storage Memory Type	Flash					
Maximum Number Stored Programs	85 - referenced by 10 character program names					
Position Counter Range	64 bit					
Ramping	Trapezoidal					
Interrupt Sources	4 inputs (rising, falling or both edges) Internal Position Counter (when reaching a programmed position)					
Max. # Drives per Communication Bus	1	1	1	225	225	225

IDEA PROGRAMMABLE DRIVE

ACCESSORIES	PART No.
USB Cable (A to Mini B), 2 meters	56-1346
Power Cable, 1 meter	56-1348
I/O Cable, 1 meter	56-1352
RS-485 Cable, 1 meter	56-1536-4
Software Installation Disk	55-010
Motor Connector Assembly	56-1453
USB to RS-485 Adapter	UTR4852

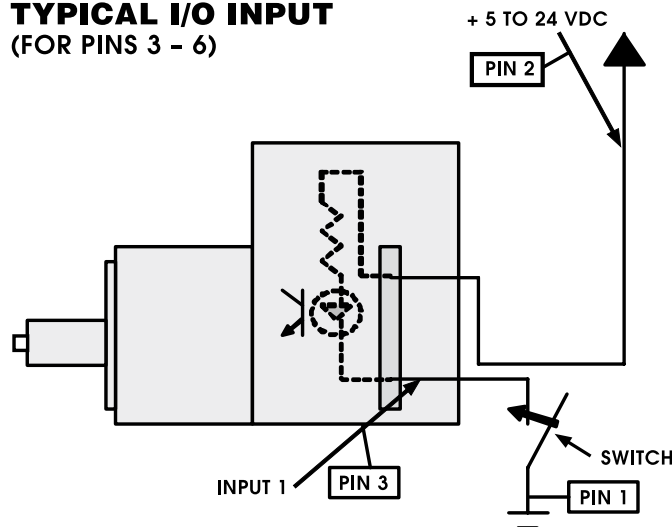
IDEA™ Drive software is simple to use with on-screen buttons and easy-to-understand programming guides.

The software program generates motion profiles directly into the system and also contains a “debug” utility allowing line-by-line execution of a motion program for easy troubleshooting.

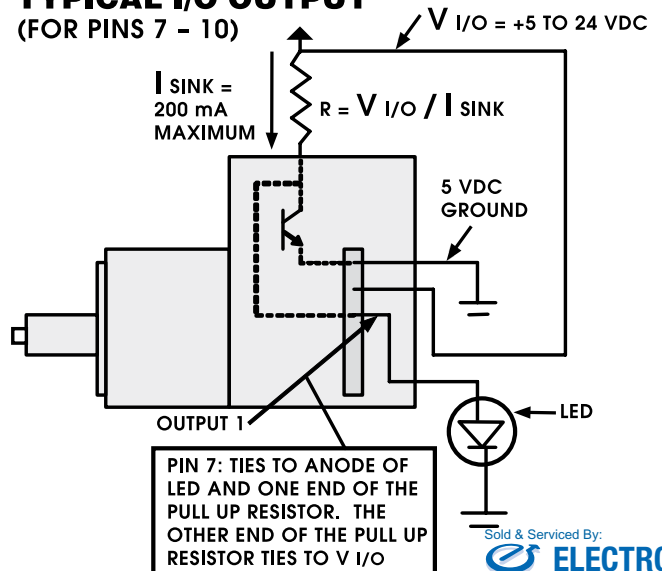


IDEA PROGRAMMABLE DRIVE

TYPICAL I/O INPUT (FOR PINS 3 - 6)



TYPICAL I/O OUTPUT (FOR PINS 7 - 10)



PCM4806E and PCM4826E IDEA™ Drive Engineering Drawings

IDEA PROGRAMMABLE DRIVE

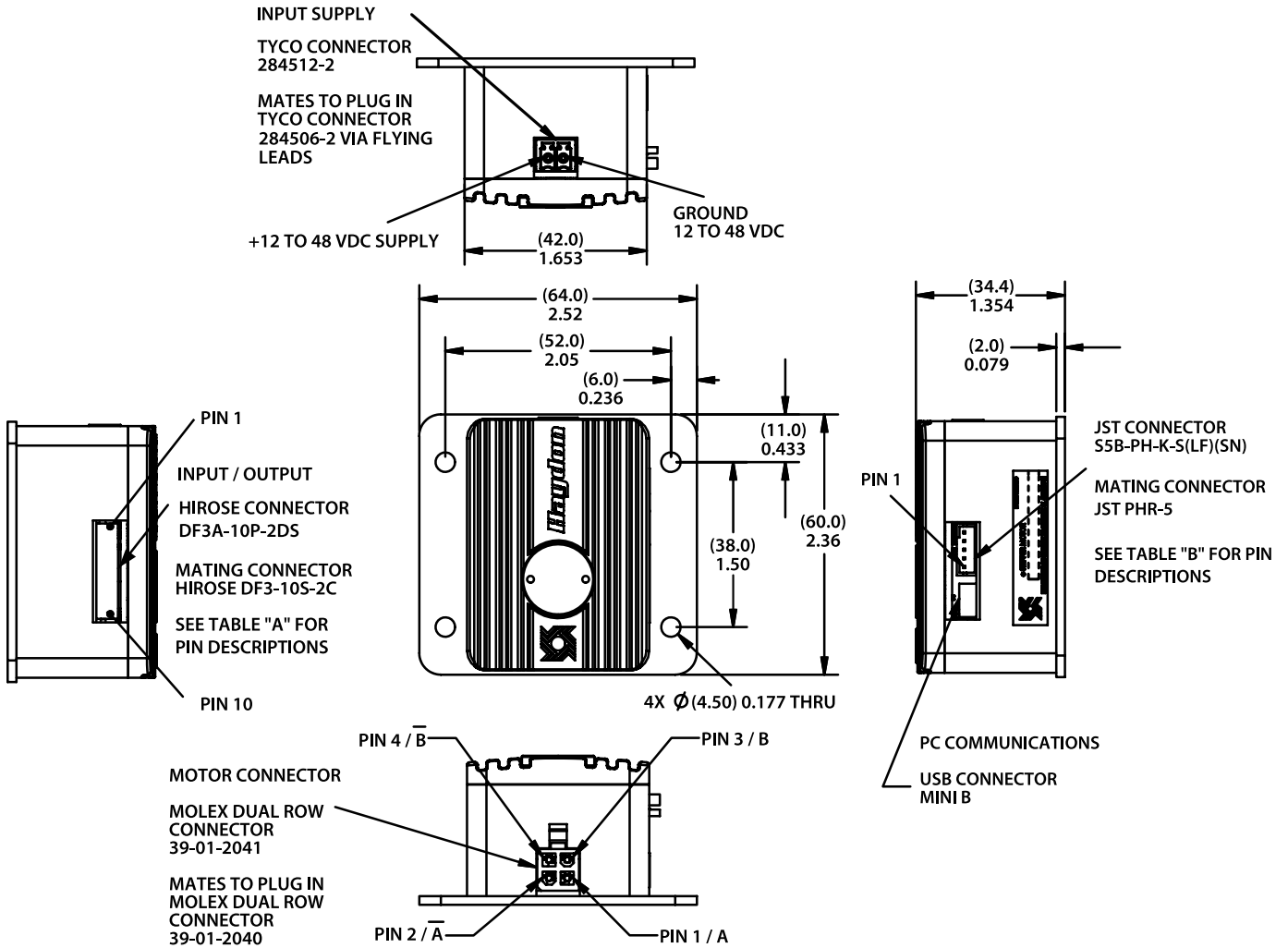


TABLE "A"

PIN POSITION	DESCRIPTION	NOTES
PIN 1	GROUND I/O SUPPLY	5 TO 24 VDC
PIN 2	+ I/O SUPPLY	5 TO 24 VDC
PIN 3	INPUT 1	
PIN 4	INPUT 2	
PIN 5	INPUT 3	
PIN 6	INPUT 4	
PIN 7	OUTPUT 1	
PIN 8	OUTPUT 2	
PIN 9	OUTPUT 3	
PIN 10	OUTPUT 4	

TABLE "B"

PIN #	DESCRIPTION
1	+5V
2	GROUND
3	INDEX / NO CONNECTION
4	"B" CHANNEL
5	"A" CHANNEL

ACM4806E and ACM4826E IDEA™ Drive Engineering Drawings

IDEA
PROGRAMMABLE DRIVE

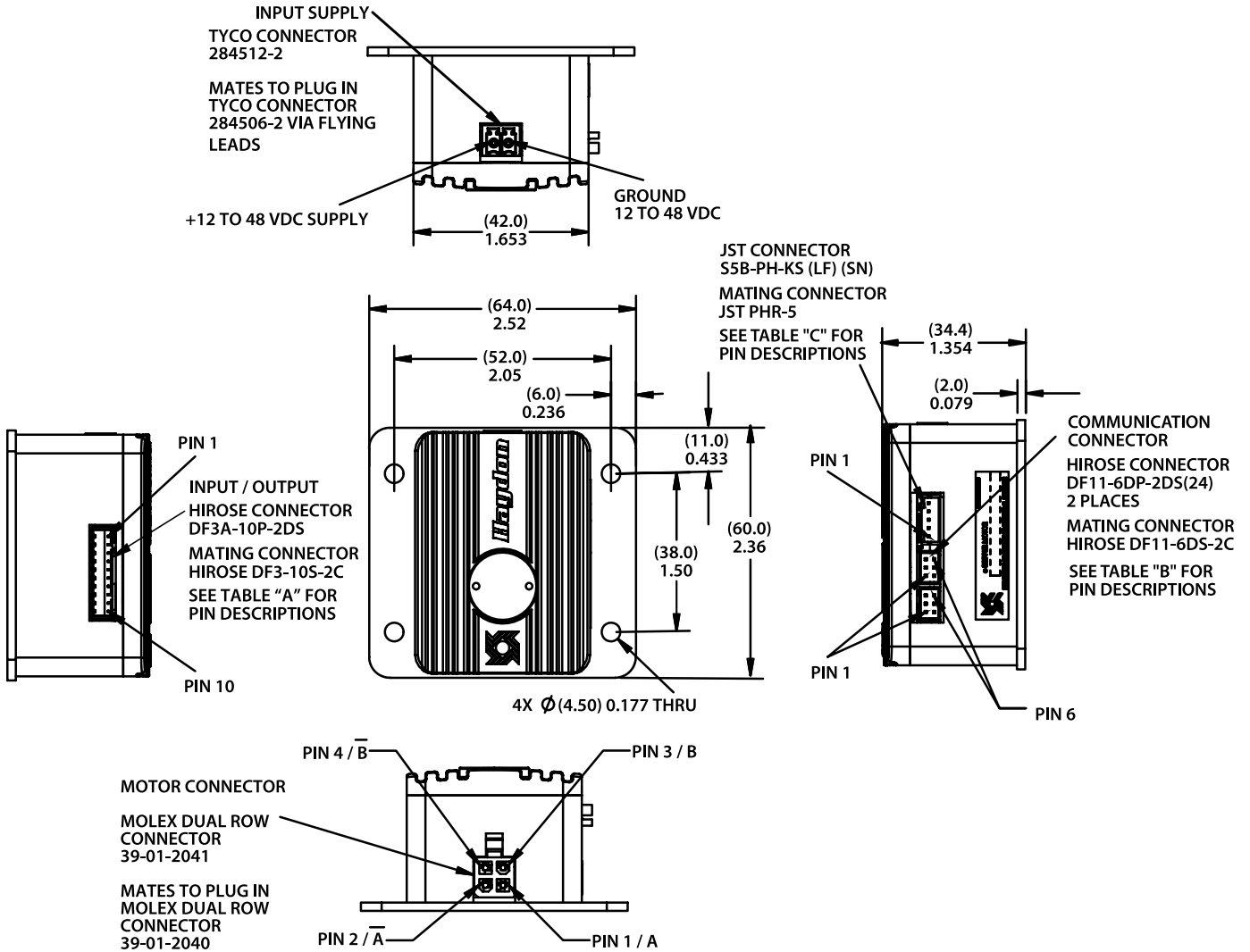


TABLE "A"

PIN POSITION	DESCRIPTION	NOTES
PIN 1	GROUND I/O SUPPLY	5 TO 24 VDC
PIN 2	+ I/O SUPPLY	5 TO 24 VDC
PIN 3	INPUT 1	
PIN 4	INPUT 2	
PIN 5	INPUT 3	
PIN 6	INPUT 4	
PIN 7	OUTPUT 1	
PIN 8	OUTPUT 2	
PIN 9	OUTPUT 3	
PIN 10	OUTPUT 4	

TABLE "B"

PIN #	DESCRIPTION
1	Y / NON-INVERTING DRIVER OUTPUT
2	Z / INVERTING DRIVER OUTPUT
3	GROUND
4	GROUND
5	A / NON-INVERTING RECEIVER INPUT
6	B / INVERTING RECEIVER INPUT

TABLE "C"

PIN #	DESCRIPTION
1	+5V
2	GROUND
3	INDEX / NO CONNECTION
4	"B" CHANNEL
5	"A" CHANNEL

PCM7539E IDEA™ Drive Engineering Drawings

IDEA PROGRAMMABLE DRIVE

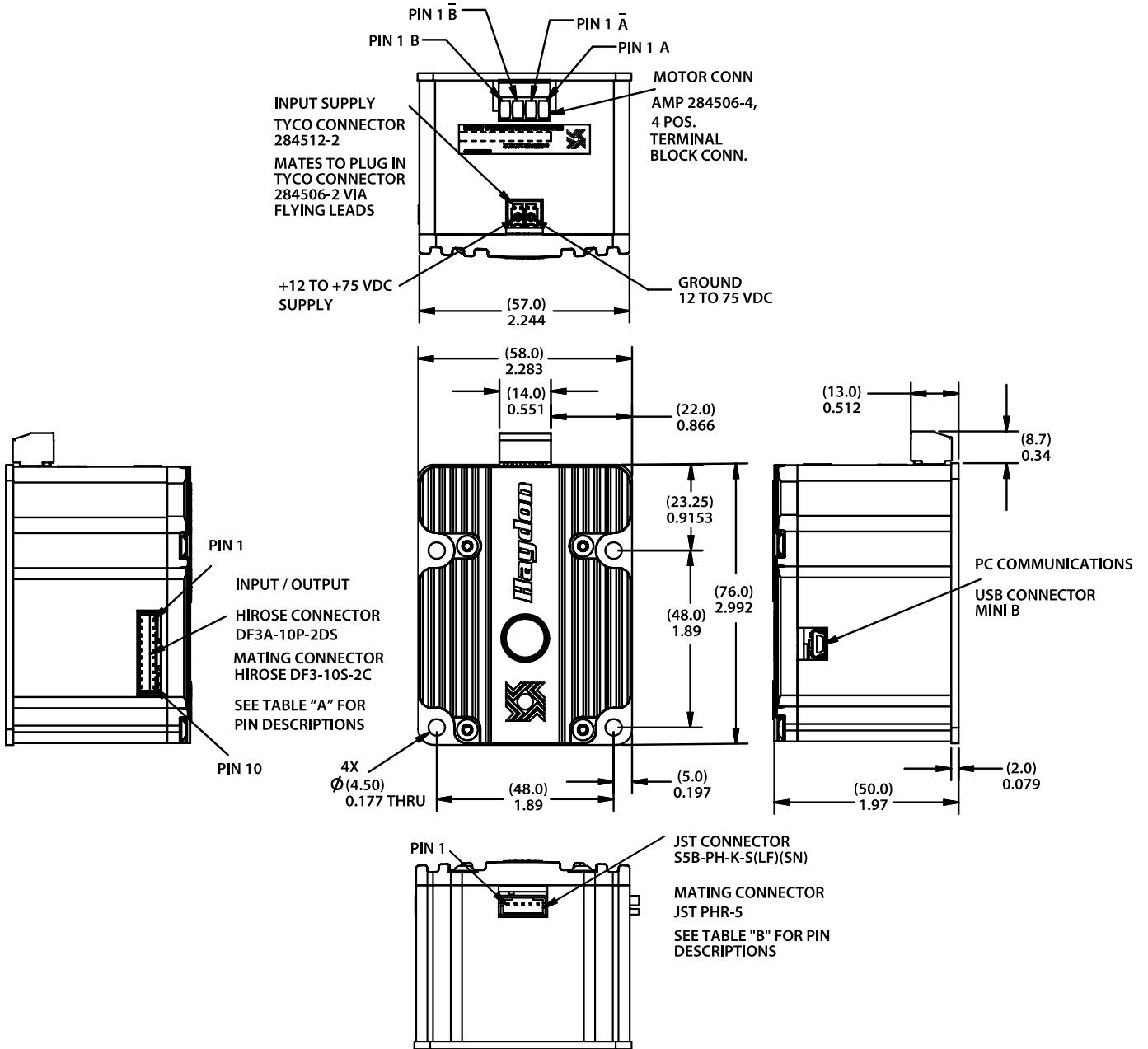


TABLE "A"

PIN POSITION	DESCRIPTION	NOTES
PIN 1	GROUND I/O SUPPLY	5 TO 24 VDC
PIN 2	+ I/O SUPPLY	5 TO 24 VDC
PIN 3	INPUT 1	
PIN 4	INPUT 2	
PIN 5	INPUT 3	
PIN 6	INPUT 4	
PIN 7	OUTPUT 1	
PIN 8	OUTPUT 2	
PIN 9	OUTPUT 3	
PIN 10	OUTPUT 4	

TABLE "B"

PIN #	DESCRIPTION
1	+5V
2	GROUND
3	INDEX / NO CONNECTION
4	"B" CHANNEL
5	"A" CHANNEL

ACM7539E IDEA™ Drive Engineering Drawings

IDEA PROGRAMMABLE DRIVE

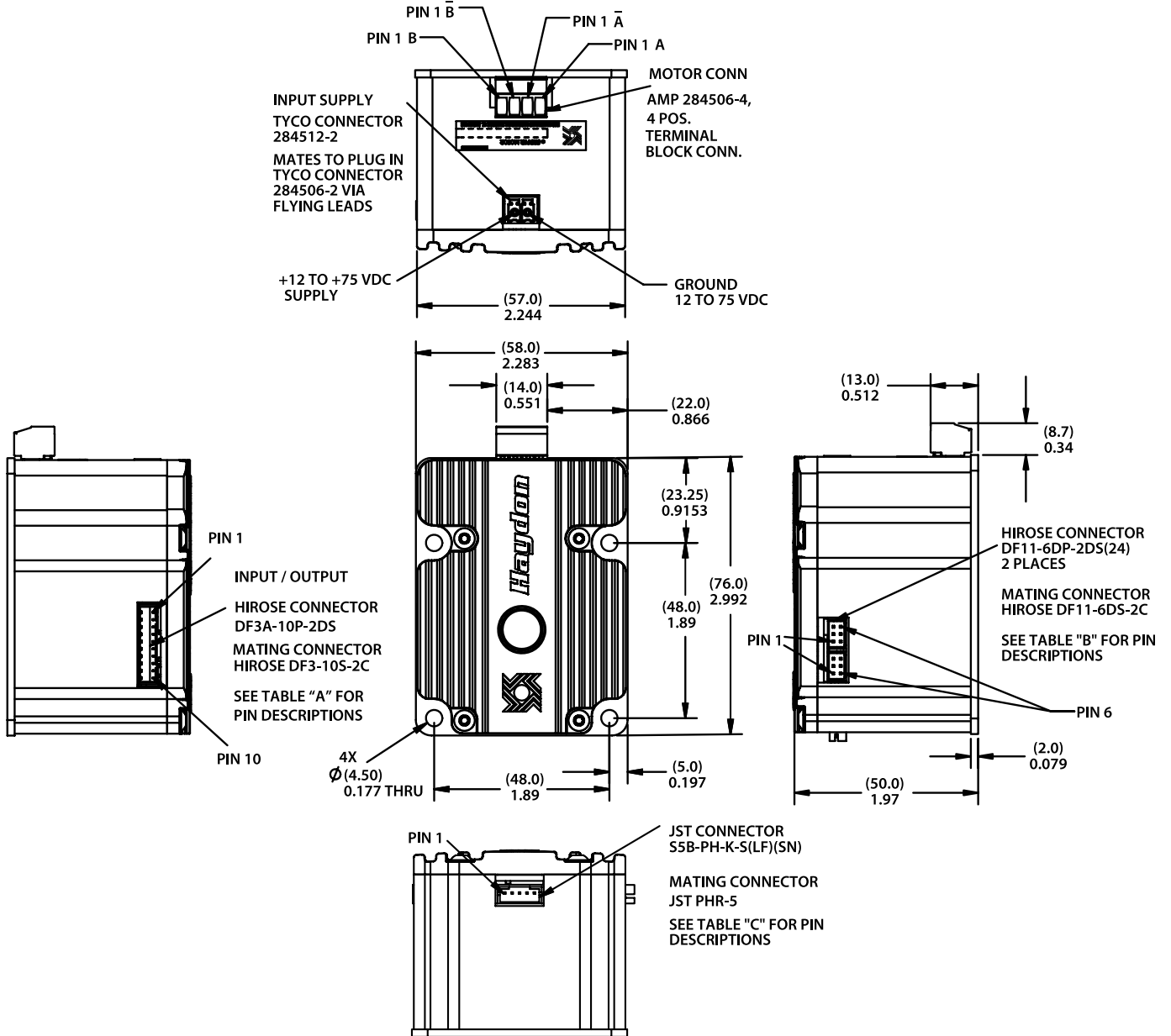


TABLE "A"

PIN POSITION	DESCRIPTION	NOTES
PIN 1	GROUND I/O SUPPLY	5 TO 24 VDC
PIN 2	+ I/O SUPPLY	5 TO 24 VDC
PIN 3	INPUT 1	
PIN 4	INPUT 2	
PIN 5	INPUT 3	
PIN 6	INPUT 4	
PIN 7	OUTPUT 1	
PIN 8	OUTPUT 2	
PIN 9	OUTPUT 3	
PIN 10	OUTPUT 4	

TABLE "B"

PIN #	DESCRIPTION
1	Y / NON-INVERTING DRIVER OUTPUT
2	Z / INVERTING DRIVER OUTPUT
3	GROUND
4	GROUND
5	A / NON-INVERTING RECEIVER INPUT
6	B / INVERTING RECEIVER INPUT

TABLE "C"

PIN #	DESCRIPTION
1	+5V
2	GROUND
3	INDEX / NO CONNECTION
4	"B" CHANNEL
5	"A" CHANNEL

IDEA™ Programmable Stepper Motor Drive



Haydon Kerk Motion Solutions, Inc. • www.HaydonKerk.com • Phone: 800.243.2715 • International: 203.756.7441

DCM4826X IDEA™ Drive – Pulse, Direction, Enable



IDEA PROGRAMMABLE DRIVE

The Haydon™ DCM4826 IDEA Stepper Motor Drive is ideal for controlling both rotary stepper motors and stepper motor based linear actuator systems using a simple “pulse”, “direction”, and “enable” signal from a stepper motor control board. Input voltage to the drive is 12-48 VDC. The stepper motor drive can provide a load current of 2.6 A rms per phase. The PDE signals are optically isolated from the rest of the drive, providing the ability to reference a separate electrical ground.



Attribute	Value
Drive Input Voltage Range	12 to 48 VDC
Max Drive Current / Phase	2.6 A rms
Step Modes	Full, Half, 1/4, 1/8, 1/16, 1/32, 1/64
Communications	RS-485
Digital Inputs Voltage Range	0 to 24 VDC
Digital Input Maximum Current	35 mA (each)
Digital Input Minimum Pulse Width	5 µs
Maximum Pulse Input Frequency (0-5 V Square Wave)	100 KHz
Maximum Temperature	70° (Measured at heat sink)

Dimensional Drawings

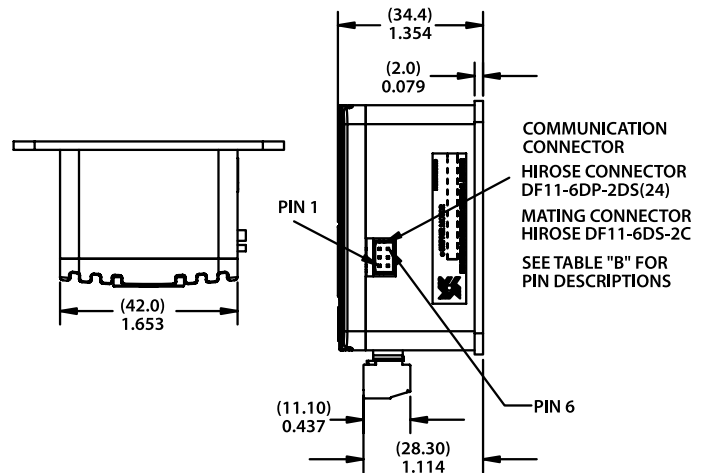
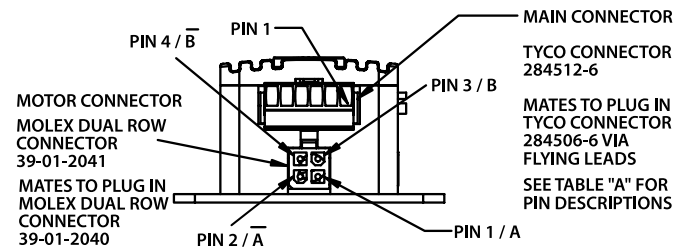
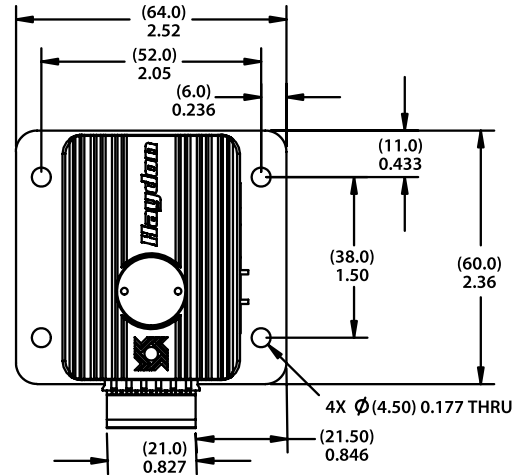


TABLE "A"

PIN POSITION	DESCRIPTION
PIN 1	OPTOGROUND
PIN 2	ENABLE
PIN 3	DIRECTION
PIN 4	PULSE
PIN 5	GROUND
PIN 6	+5 to 24 VDC

TABLE "B"

PIN #	DESCRIPTION
1	Y / NON-INVERTING DRIVER OUTPUT
2	Z / INVERTING DRIVER OUTPUT
3	GROUND
4	GROUND
5	A / NON-INVERTING RECEIVER INPUT
6	B / INVERTING RECEIVER INPUT

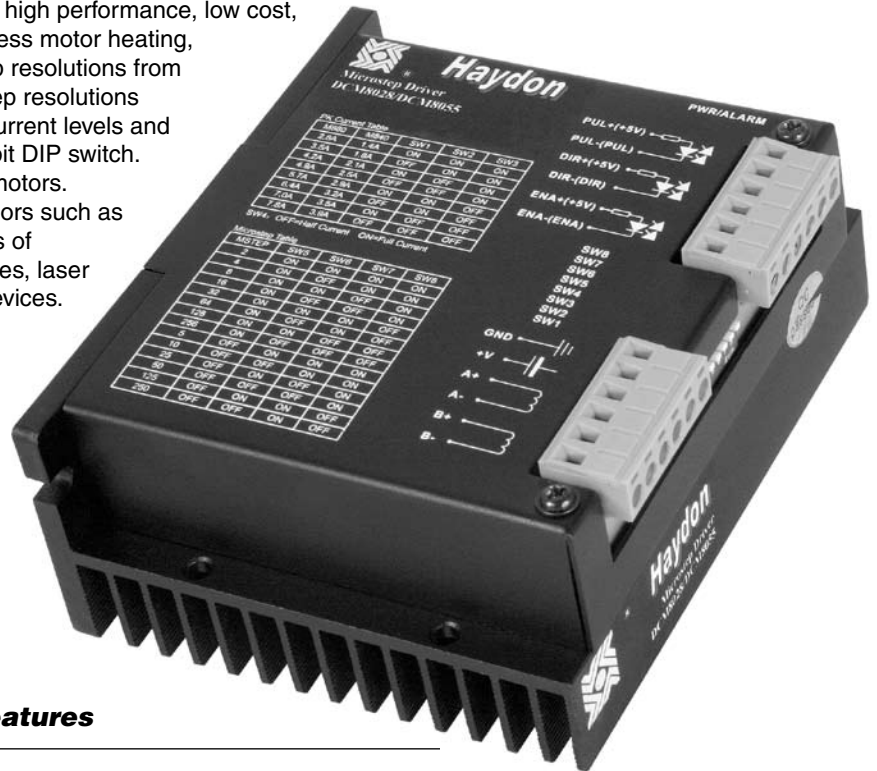
Sold & Serviced By:
ELECTROMATE
Toll Free Phone (877) SERV098
Toll Free Fax (877) SERV099
www.electromate.com
sales@electromate.com

Micro Stepping Drives #DCM8027 & DCM8054

Haydon Kerk Motion Solutions High Performance Micro Stepping Chopper Drives based on some of the most advanced technology in the world today. Providing a cost effective solution for production volume requirements, the small size allows designers to use these Drives in limited space and they are also easily integrated with other electronic systems. Design time is reduced because incorporating these Drives is far simpler than developing a custom drive circuit. They are suitable for driving 2-phase step motors (maximum current ratings of 2.8 A and 5.5 A rms per phase). These specially designed Drives deliver optimum performance throughout a greater speed range. By using an advanced bipolar constant-current chopping technique, and a maximum input voltage of 80 VDC, they can produce more speed and power from the same motor, compared with traditional technologies such as L/R drives.

The DCM8027 and DCM8054 feature high performance, low cost, compact size, mixed decay current control for less motor heating, automatic idle-current reduction and micro step resolutions from 1/2 step to 1/256. There are fourteen micro step resolutions selectable in decimal and binary. The output current levels and micro step resolutions are easily set via the 8 bit DIP switch. These Drives are suitable for 4, 6, and 8 lead motors.

Ideal for a wide range of stepping motors such as low voltage linear motors, used in various kinds of machines, such as X-Y tables, labeling machines, laser cutters, engraving machines, and pick-place devices. These Drives are particularly useful in motor applications requiring low noise, low vibration, high speed and high precision requirements.



DRIVES FOR STEPPER MOTORS

Drive DCM8027/DCM8054 Drive Features

- User friendly Chopper Drive
- Input voltage range 20 to 80 VDC
- Suitable for 4, 6, 8 lead motors
- Inaudible 20 khz chopping frequency
- TTL compatible and optically isolated input signals
- 14 selectable microstep resolutions in decimal and binary
- Current up to 5.5 A rms/phase
- Automatic idle current reduction
- Up to 80 VDC input voltage. For Europe the maximum input voltage must be limited to 70 VDC (CE Regulations)

Bipolar Chopper Drive #DCS4020

The Haydon™ DCS4020 Chopper Drive by Haydon Kerk Motion Solutions, Inc. delivers optimum performance throughout a greater speed range. This new technology drive has been designed for easy set up and use. The Haydon DCS4020 is ideal for development projects where a single power supply is all that is necessary to easily run the motor. The motor current is set using an on-board potentiometer and no external current setting resistors are required.

The DCS4020 is also feature-packed. The Driver provides all the basic motor controls including full or half-stepping of bipolar steppers, directional control, and output enable control. An oscillator circuit is standard on the drive with an on-board speed control potentiometer. In addition, external input/output signals allow complete remote control of all drive functions. All electrical connectors have removable plugs incorporating screw type terminals.



Bipolar Chopper Drive #DCS4020 Features

- On-board or external step pulse clock
- On-board or external single step switch
- On-board or external step rate control potentiometer
- On-board or external direction control
- On-board or external full step / half step control
- On-board or external outputs enable control
- On-board current control potentiometer

Bipolar Chopper Drive #DCS4020 Technical Data

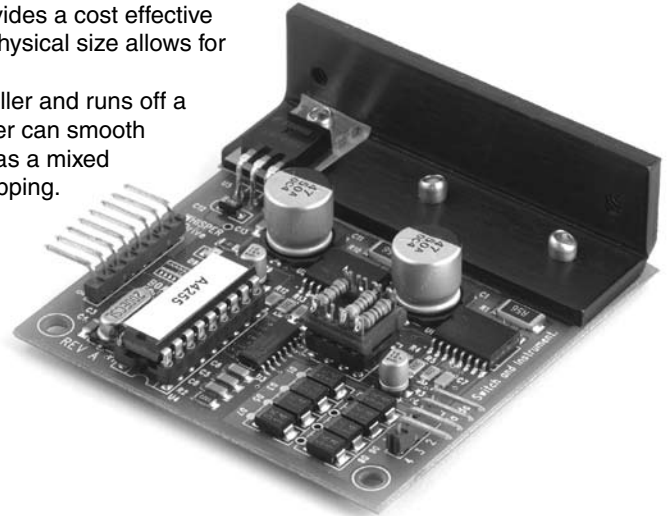
Size:	4.47-in x 3.38-in x 1.31-in (113.54 mm x 85.85 mm x 33.27 mm)
Power Requirement:	Single unregulated, power supply providing +12 VDC to +40 VDC
Output Current:	Fully adjustable from 66 mA rms/Ø to 2 A rms/Ø continuous duty
Continuous rating:	2 A rms/Ø
Chopper Frequency:	~20 Khz
Onboard Oscillating Range:	<10 pulses/sec. to >2,000 pulses/sec.
Stepping:	Full step/Half step capability
I.C.s:	S.T. Micro: L297 (control I.C.) and L298 (dual full wave bridge)



Whisper™ Drive #44103

A compact, microstepping drive for bipolar stepper motors that provides a cost effective solution for production volumes. Its ease of integration and small physical size allows for quick integration into your design.

The Whisper incorporates micro-stepping technology, a controller and runs off a single power supply. With eight microsteps per full step, the Whisper can smooth out cogging often associated with Can-stack steppers. The drive has a mixed current decay mode for reduced resonance and improved microstepping. Microstepping also reduces audible noise in the motor.



DRIVES
FOR STEPPER MOTORS

Whisper Drive #44103 Technical Data

Size (approx.):	2.65-in x 2.55-in x .86-in (67.31mm x 64.77mm x 21.84mm)
Power Requirement:	Regulated, 24 VDC to 28 VDC power supply
Output Current:	Up to 1 A rms/Ø
Required Motor Coil Voltage:	Bipolar, 5 VDC
External Step Pulse Range:	Up to 8000 PPS for 1000 full steps/sec.
Stepping:	Up to 8 microsteps per full step

Whisper Drive #44103 Features

- Bipolar chopper/constant current technology
- Automatic mixed current decay
- Selectable step; Full, 1/2, 1/4, 1/8 step
- Use single power supply for motor and drive
- Step inhibit control
- Physically compact



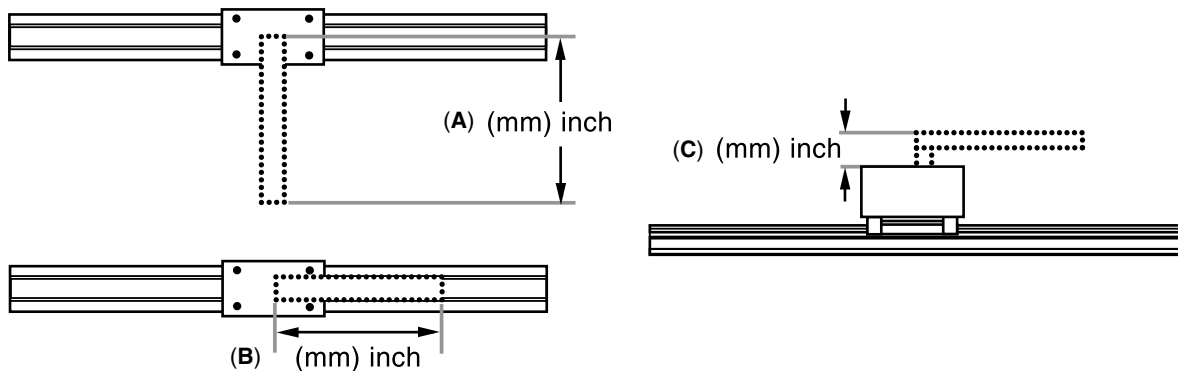
**Motorized and
Non-motorized BGS,TM
RGS[®] and LRSTM
Linear Rails
and Linear Slides**

Information needed to properly size a linear rail system

Haydon Kerk™ Linear Rail Systems are designed to be **precision motion devices**. Many variables must be considered before applying a particular rail system in an application. The following is a basic checklist of information needed that will make it easier for the Haydon Kerk engineering team to assist you in choosing the proper linear rail. See order form on last page of this catalog.

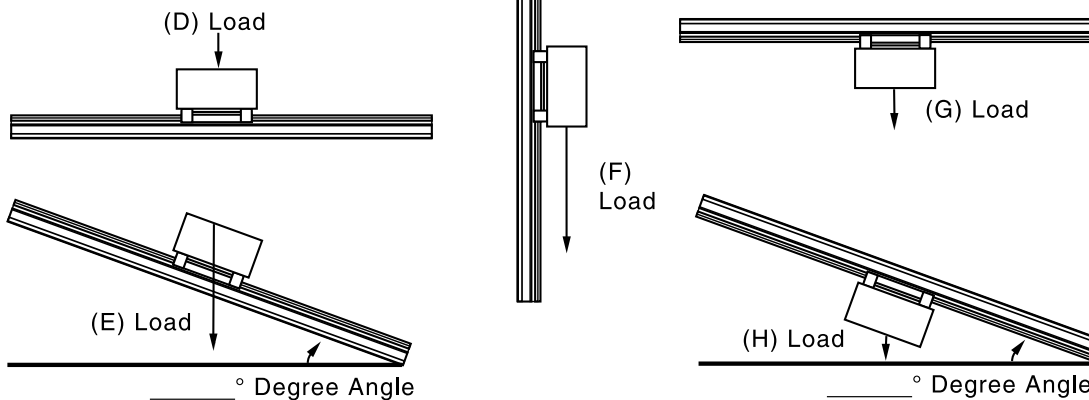
Linear Rail Application Checklist

- 1) **Maximum Load?** _____ (N or lbs.)
- 2) **Load Center of Gravity (cg) Distance and Height (mm or inches)?** See illustrations (A) (B) (C) below.
Dimensions (mm / inch):
 (A) _____ ... OR... (B) _____ AND... (C) _____



- 3) **Rail Mount Orientation?** The force needed to move the load is dependent on the orientation of the load relative to the force of gravity. For example, total required force in the horizontal plane (D) is a function of friction and the force needed for load acceleration ($F_f + F_a$). Total force in the vertical plane is a function of friction, load acceleration, and gravity ($F_f + F_a + F_g$).

- Orientation:**
- (D) _____
 - (E) _____°
 - (F) _____
 - (G) _____
 - (H) _____°



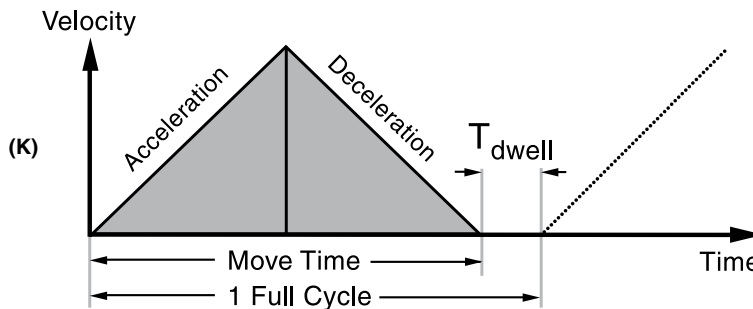
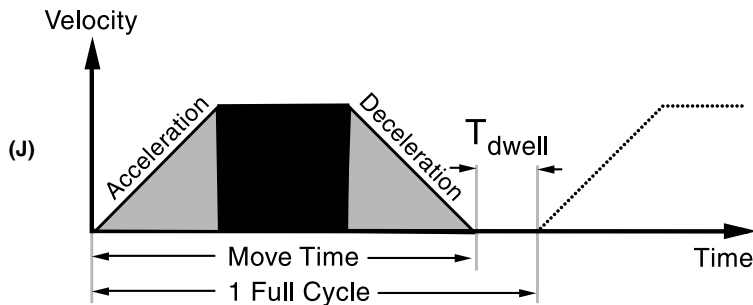
Linear Rail Application Checklist (Continued)

4) **Stroke Length to Move Load?** _____ (mm or inches)

Overall rail size will be a function of stroke length needed to move the load, the rail frame size (load capability), the motor size, and whether or not an integrated stepper motor programmable drive system is added.

5) **Move Profile?**

A **trapezoidal** move profile divided into 3 equal segments (J) is a common move profile and easy to work with. Another common move profile is a **triangular** profile divided into 2 equal segments (K).



If using a **trapezoidal** (J) or **triangular** (K) move profile, the following is needed...

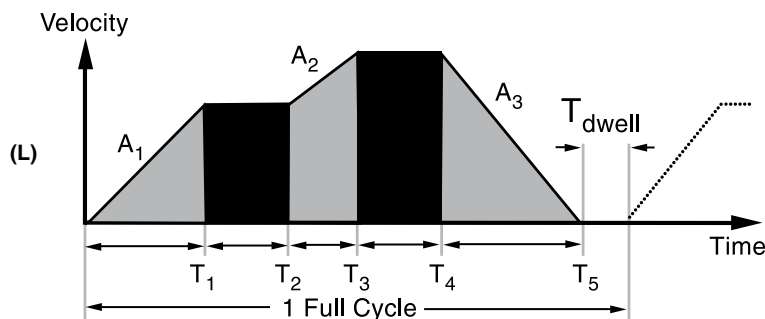
- a) Point to point move distance _____ (mm or inches)
- b) Move time _____ (seconds) including time of acceleration and deceleration
- c) Dwell time between moves _____ (seconds)

The trapezoidal move profile (J) is a good starting point in helping to size a system for prototype work.

A **complex** move profile (L) requires more information.

- a) Time (in seconds) including: $T_1, T_2, T_3, T_4, T_5 \dots T_n$ and T_{dwell}
- b) Acceleration / Deceleration (mm/sec^2 or $\text{inches}/\text{sec}^2$) including: $A_1, A_2, A_3 \dots A_n$

For more information call Haydon Kerk Motion Solutions Engineering at 203.756.7441.



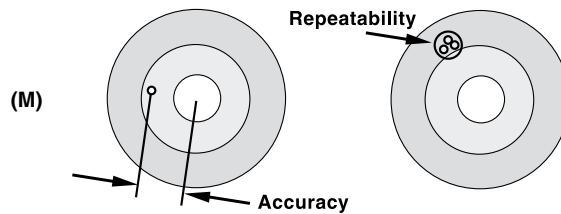
Linear Rail Application Checklist (Continued)

6) **Position Accuracy Required?** _____ (mm or inches)

Accuracy is defined as the difference between the theoretical position and actual position capability of the system. Due to manufacturing tolerances in components, actual travel will be slightly different than theoretical "commanded" position. See figure (M) below.

7) **Position Repeatability Required?** _____ (mm or inches)

Repeatability is defined as the range of positions attained when the rail is commanded to approach the same position multiple times under identical conditions. See figure (M) below.



8) **Positioning Resolution Required?** _____ (mm/step or inches/step)

Positioning resolution is the smallest move command that the system can generate. The resolution is a function of many factors including the drive electronics, lead screw pitch, and encoder (if required). The terms "resolution" and "accuracy" should never be used interchangeably.

9) **Closed-Loop Position Correction Required?** YES NO

In stepper motor-based linear rail systems, position correction is typically accomplished using a rotary incremental encoder (either optical or magnetic).

10) **Life Requirement?** (select the most important application parameter)

- a) Total mm or inches _____
 ... or ... b) Number of Full Strokes _____
 ... or ... c) Number of Cycles _____

11) **Operating Temperature Range** _____ (°C or °F)

- a) Will the system operate in an environment in which the worst case temperature is above room temperature?
 b) Will the system be mounted in an enclosure with other equipment generating heat?

12) **Controller / Drive Information?**

- a) Haydon Kerk IDEA™ Drive (with Size 17 and Size 23 Stepper Motors only)
 b) Customer Supplied Drive... Type? Chopper Drive L / R Drive

Model / Style of Drive: _____

13) **Power Supply Voltage?** _____ (VDC)

14)* **Step Resolution?** a) Full Step b) Half-Step c) Micro-Step

15)* **Drive Current?** _____ (A_{rms} / Phase) and _____ (A_{peak} / Phase)

16)* **Current Boost Capability?** _____ (%)

* If the Haydon Kerk IDEA™ Drive is used disregard items 14, 15, and 16.

BGS™ Linear Rails with Recirculating Ball Slide



The **BGS™** Linear Rail combines many technologies into a single integrated linear motion platform. The system provides excellent load capability and is engineered for both normal and overhanging loads. High roll, pitch, and yaw moment loading capability allows the system to maintain tight accuracy and repeatability, even in applications requiring significant cantilevered loading.

At the heart of the BGS Linear Rail system is a Haydon™ hybrid linear actuator with a precision 303 stainless steel lead-screw. The lead screw drives a machined aluminum carriage mounted to a precision stainless steel ball slide resulting in a rigid, smooth-operating motion system. The screw is coated with Black Ice® TFE coating providing a permanent wear-resistant dry lubrication.

When integrated with an IDEA™ Drive, the system combines Haydon hybrid linear actuator technology with a fully programmable, integrated stepper motor drive. By combining technologies into a single preassembled unit, Haydon Kerk Motion Solutions is able to improve system integration for the equipment OEM or end user. The overall cost for the customer is also lowered by offering a complete solution as it eliminates the need for rotary-to-linear conversion, and simplified product development.

Identifying the part number codes when ordering Motorized BGS

Prefix: BG	Frame Style: S	Frame Size: 06	Coating: B	Thread: R	Drive/Mounting: M	Motor Frame: 43	Nominal Thread Lead Code: 0100	Stroke (rounded up): 12	Unique Identifier: XXX
Prefix: BG = Ball Guide System	Frame Style: S = Standard	Frame Size: Load* 04 = 22 lbs (100 N) 06 = 135 lbs (600 N) 08 = 225 lbs (1,000 N) * Recommended Horizontal Load See page 217 "Linear Rail Application Checklist" or Checklist Form on page 252	Coating: B = Black Ice® TFE wear resist, dry lubricant	Thread: R = Right hand L = Left hand	Drive/Mounting: M = Motorized G = IDEA programmable drive with Size 17 and 23 motors	Motor Frame 28 = Size 11 Stepper Motor 43 = Size 17 Stepper Motor (Size 17 Double Stack not available with BGS04 Linear Rail) 57 = Size 23 Stepper Motor	Nominal Thread Lead Code Code numbers in Motorized BGS Product Selector Chart	Stroke (rounded up) BGS04 max. stroke = 18-in (460 mm) BGS06 max. stroke = 24-in (610 mm) BGS08 = max. stroke = 30-in (760 mm) <i>Contact factory if longer stroke lengths are needed.</i>	Unique Identifier Proprietary suffix assigned to a specific customer application. The identifier can apply to either a standard or custom part.

Carriage holes available in Metric sizes
M3
M4
M5
M6

EXAMPLE:

BGS06BR-M43-0100-12-xxx = BGS™ for 135 lb (600 N) load, lead-screw with Black Ice® TFE coating, right hand thread, motorized with Size 17 stepper motor, 0.1-in (2.54 mm) lead-screw lead, 12-in (305 mm) stroke with no added features.

For assistance or order entry, call the Haydon Kerk Motion Solutions Engineering at 203.756.7441. Other systems and styles may be available. Visit www.HaydonKerk.com for recent updates.

Motorized BGS™ Product Selector Chart

	BGS04	BGS06	BGS08
Hybrid Linear Actuator Motor...	Size 11 Double Stack Size 17 Single Stack*	Size 17 Single Stack* Size 17 Double Stack*	Size 23 Single Stack* Size 23 Double Stack*
Max. Stroke Length	18-in (460 mm)	24-in (610 mm)	30-in (760 mm)
Max. Load (Horizontal)**	22 lbs (100 N)	135 lbs (600N)	225 lbs (1,000 N)
Roll Moment	5.72 lbs-ft (7.75 Nm)	11.62 lbs-ft (15.75 Nm)	22.50 lbs-ft (30.5 Nm)
Pitch Moment	4.88 lbs-ft (6.60 Nm)	7.93 lbs-ft (10.75 Nm)	19.36 lbs-ft (26.25 Nm)
Yaw Moment	5.68 lbs-ft (7.70 Nm)	9.15 lbs-ft (12.40 Nm)	22.27 lbs-ft (30.20 Nm)

Nominal Thread Lead		Lead Code	BGS04	BGS06	BGS08
inches	mm				
0.025	0.635	0025	●		
0.039	1.00	0039	●		
0.050	1.27	0050	●	●	
0.0625	1.59	0063	●		
0.079	2.00	0079	●	●	
0.098	2.50	0098			●
0.100	2.54	0100	●	●	●
0.118	3.00	0118	●		
0.125	3.18	0125			
0.157	4.00	0157		●	
0.197	5.00	0197		●	●
0.200	5.08	0200	●	●	●
0.250	6.35	0250	●	●	
0.315	8.00	0315			
0.375	9.53	0375		●	
0.394	10.00	0394	●		
0.400	10.16	0400		●	
0.472	12.00	0472		●	
0.500	12.70	0500	●	●	●
0.630	16.00	0630			●
0.750	19.05	0750	●	●	
0.984	25.00	0984		●	
1.000	25.40	1000	●	●	●
1.200	30.48	1200		●	

MOTORIZED BGS™
LINEAR RAILS

* Size 17 and Size 23 Single and Double Stack Hybrid Linear Actuator Stepper Motors (BGS06 and BGS08) are available with an optional programmable IDEA™ Drive. Integrated IDEA™ Drives are not available with BGS04 style linear rails.

** For vertical load information see the www.HaydonKerk.com website or the HaydonKerk products catalog for Size 11, Size 17, and Size 23 Linear Actuator specifications.

Motorized BGS™ Linear Rails



Haydon Kerk Motion Solutions, Inc. • www.HaydonKerk.com • Phone: 800.243.2715 • International: 203.756.7441

BGS04 with Size 11 Double Stack Linear Actuator Stepper Motor

For Size 11 Hybrid Linear Actuator Stepper Motor technical specifications, see page 85.

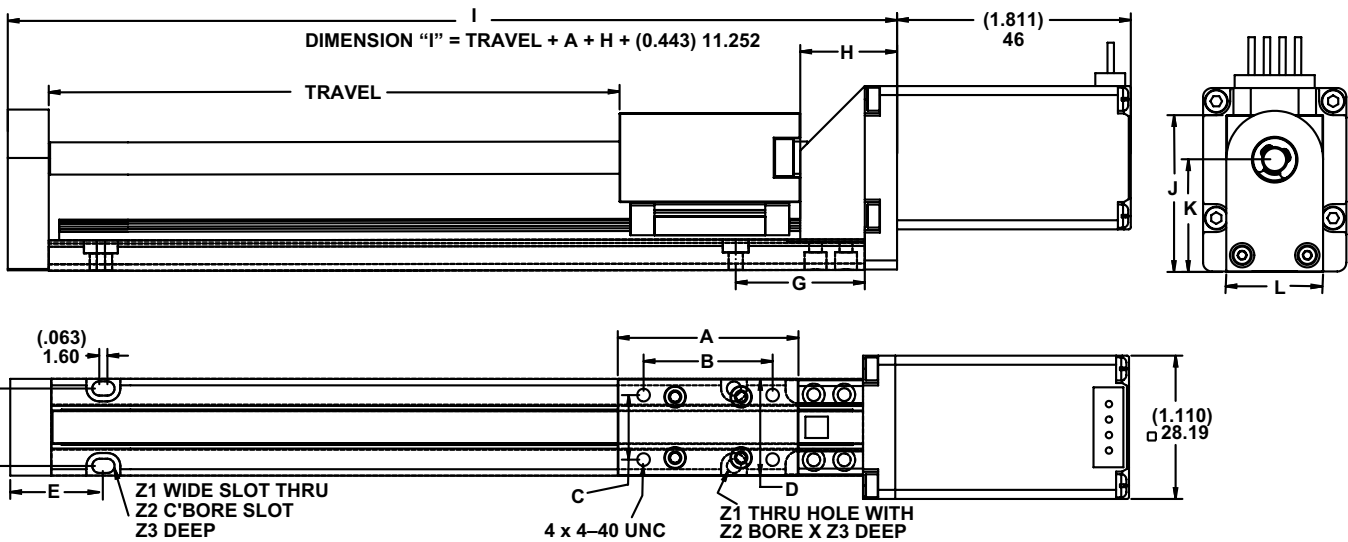


Dimensional Drawing: Motorized BGS04 with Size 11 Double Stack Hybrid Stepper Motor

BGS04 is recommended for horizontal loads up to 22 lbs (100 N).

	A	B	C	D	E	F	G	H	I	J	K	L	Z1	Z2	Z3
(inch)	(1.40)	(1.0)	(0.50)	(0.75)	(0.69)	(0.60)	(1.00)	(0.75)	*	(1.22)	(0.87)	(0.75)	(0.11)	(0.20)	(0.09)
mm	33.56	25.40	12.70	19.05	17.53	15.24	25.40	19.05	*	30.86	22.10	19.05	2.8	5.1	2.3

* Dimension "I" is a function of required travel distance.



MOTORIZED BGS™
LINEAR RAILS

BGS04 with Size 17 Linear Actuator Stepper Motors

Technical specifications for the Size 17 Single Stack Hybrid Linear Actuator Stepper Motor are provided on page 97.

BGS04 with Size 17 motor is available with the Haydon Kerk IDEA™ integrated programmable drive. For IDEA Drive technical specifications, see pages 106 and 206.

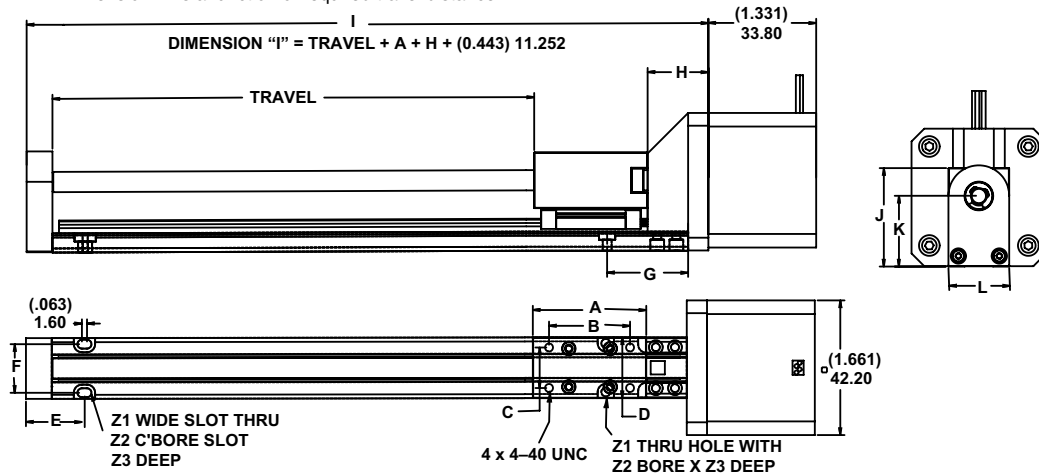


Dimensional Drawing: Motorized BGS04 with Size 17 Hybrid Stepper Motor

BGS04 is recommended for horizontal loads up to 22 lbs (100 N).

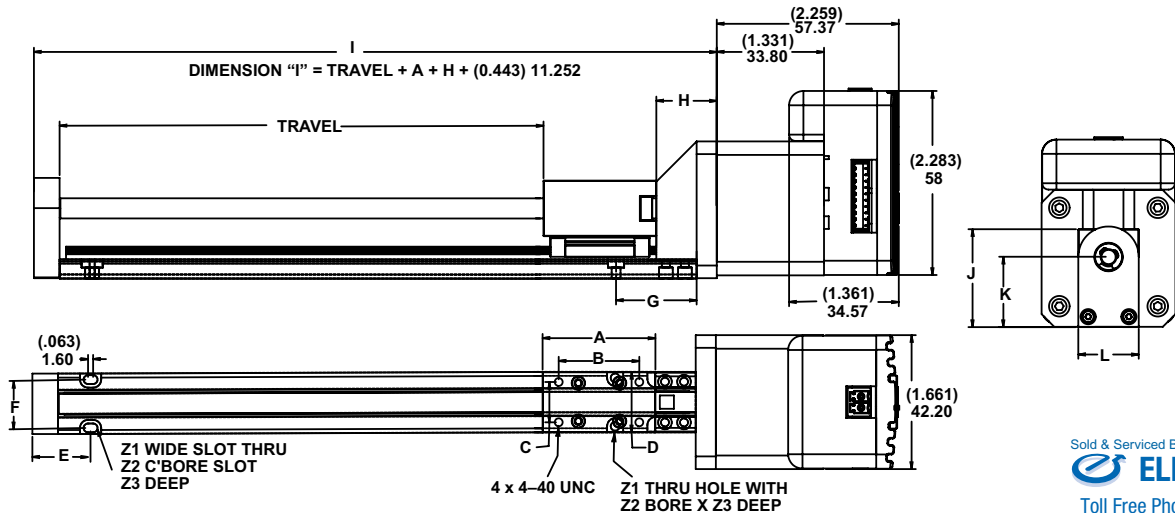
	A	B	C	D	E	F	G	H	I	J	K	L	Z1	Z2	Z3
(inch)	(1.40)	(1.0)	(0.50)	(0.75)	(0.69)	(0.60)	(1.00)	(0.75)	*	(1.22)	(0.87)	(0.75)	(0.11)	(0.20)	(0.09)
mm	33.56	25.40	12.70	19.05	17.53	15.24	25.40	19.05	*	30.86	22.10	19.05	2.8	5.1	2.3

* Dimension "I" is a function of required travel distance.



MOTORIZED BGS™
LINEAR RAILS

Dimensional Drawing: Motorized BGS04 with Size 17 Hybrid Motor with IDEA™ Drive



Motorized BGS™ Linear Rails

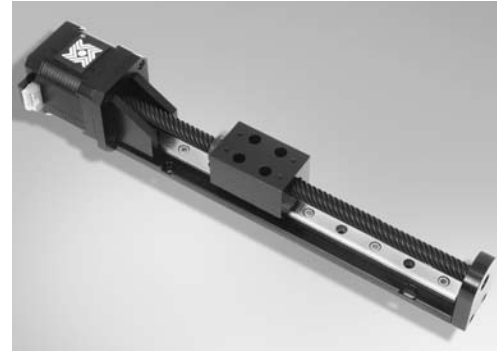


Haydon Kerk Motion Solutions, Inc. • www.HaydonKerk.com • Phone: 800.243.2715 • International: 203.756.7441

BGS06 with Size 17 Linear Actuator Stepper Motor

Technical specifications for Size 17 Hybrid Linear Actuator Stepper Motors single stack are on page 97; for double stack see page 103.

BGS06 with Size 17 is available with the Haydon Kerk IDEA™ integrated programmable drive. For technical specifications, see pages 106 and 206.

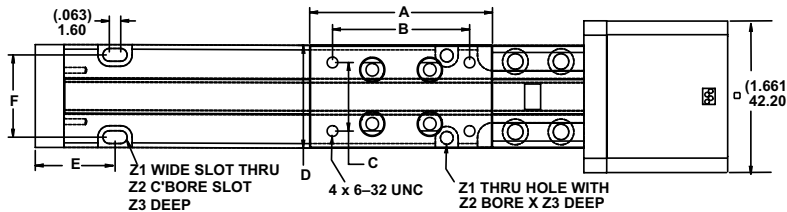
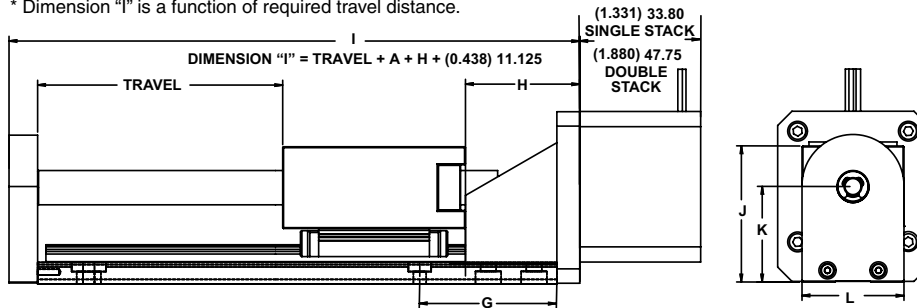


Dimensional Drawing: Motorized BGS06 with Size 17 Hybrid Motors

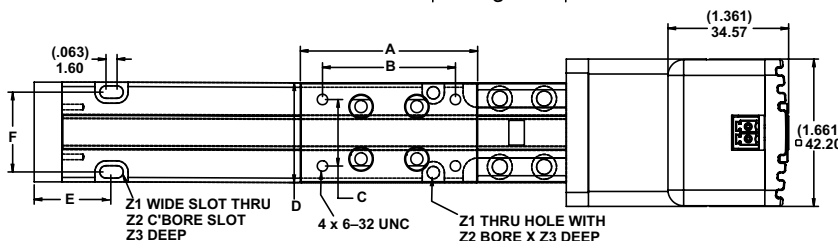
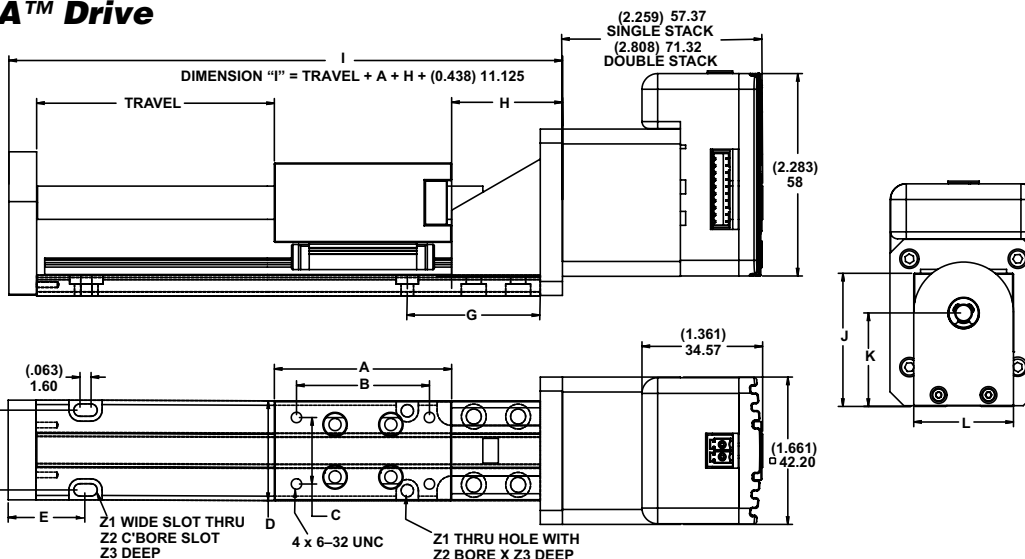
BGS06 is recommended for horizontal loads up to 135 lbs (600 N).

	A	B	C	D	E	F	G	H	I	J	K	L	Z1	Z2	Z3
(inch)	(2.00)	(1.50)	(0.75)	(1.13)	(0.81)	(0.90)	(1.50)	(1.25)	*	(1.50)	(1.05)	(1.13)	(0.14)	(0.25)	(0.13)
mm	50.80	38.10	19.05	28.58	20.57	22.86	38.10	31.75	*	38.15	26.77	28.58	3.6	6.4	3.3

* Dimension "I" is a function of required travel distance.



Dimensional Drawing: Motorized BGS06 with Size 17 Hybrid Motor with IDEA™ Drive



MOTORIZED BGS™
LINEAR RAILS



**BGS08 with Size 23
Linear Actuator Stepper Motor**

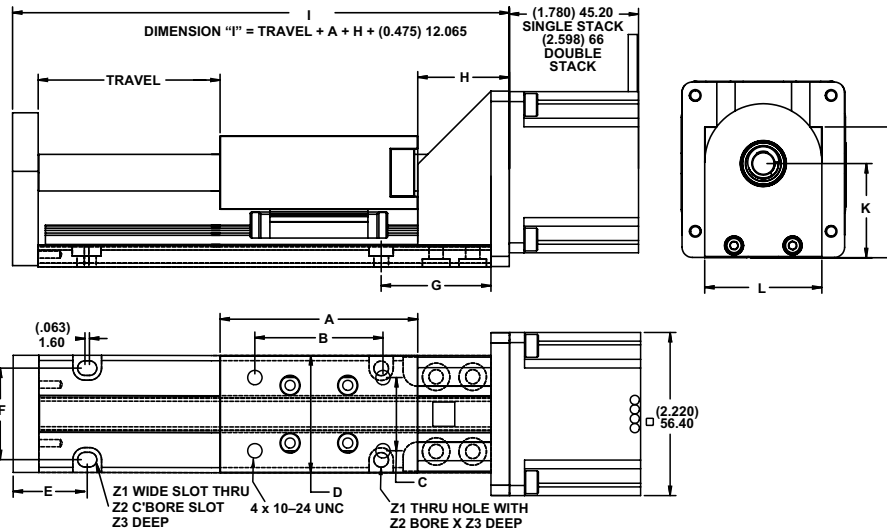
Technical specifications for Size 23 Hybrid Linear Actuator Stepper Motors single stack are on page 108; for double stack see page 113.

BGS08 with Size 23 motor is available with the Haydon Kerk IDEA™ integrated programmable drive. For IDEA Drive technical specifications, see pages 116 and 206.

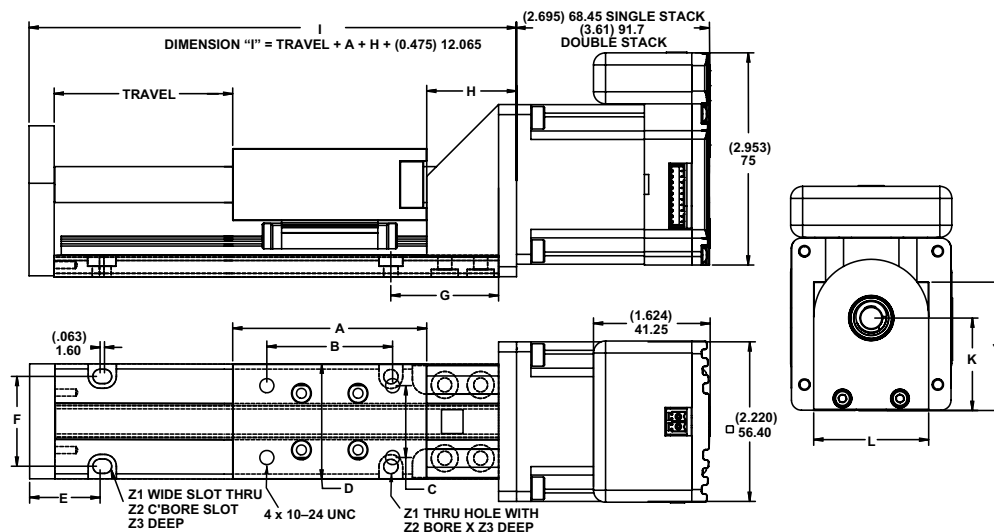
Dimensional Drawing: Motorized BGS08 with Size 23 Hybrid Motors
BGS08 is recommended for horizontal loads up to 225 lbs (1,000 N).

	A	B	C	D	E	F	G	H	I	J	K	L	Z1	Z2	Z3
(inch)	(2.70)	(1.75)	(1.00)	(1.60)	(0.98)	(1.25)	(1.50)	(1.25)	*	(1.79)	(1.29)	(1.60)	(0.20)	(0.33)	(0.19)
mm	68.58	44.45	25.40	40.64	24.89	31.75	38.10	31.75	*	45.39	32.69	40.64	5.1	8.4	4.8

* Dimension "I" is a function of required travel distance.



Dimensional Drawing: Motorized BGS08 with Size 23 Hybrid Stepper Motor with IDEA™ Drive



MOTORIZED BGS™
LINEAR RAILS

Motorized RGS® Linear Rails



Haydon Kerk Motion Solutions, Inc. • www.HaydonKerk.com • Phone: 800.243.2715 • International: 203.756.7441

Motorized RGS® Rapid Guide Screw Linear Rails



The **Motorized RGS® Rapid Guide Screw** is a screw-driven rail that offers exceptional linear speed, accurate positioning, and long life in a compact, value-priced assembly. The length and speed of the RGS is not limited by critical screw speed, allowing high RPM and linear speeds, even over long spans. Lengths up to 8 feet (2.4 meters) can readily be built, and longer lengths are possible on a special order basis.

This system combines many Haydon Kerk Motion Solutions patented motion technologies into a single integrated, linear motion control system. The Motorized RGS linear rails feature standard wear-compensating, anti-backlash driven carriages to insure repeatable and accurate positioning. All moving surfaces include Kerkite® engineered polymers running on Kerkote® TFE coating, providing a strong, stable platform for a variety of linear motion applications. When integrated with an IDEA Drive, the system combines Haydon™ hybrid linear actuator technology with a fully programmable, integrated stepper motor drive. By combining technologies into a single preassembled unit, Haydon Kerk Motion Solutions is able to improve system integration for the equipment OEM or end user. The overall cost for the customer is also lowered by offering a complete solution as it eliminates the need for rotary-to-linear conversion, as well as simplifies product development with fewer components required.



Motorized RGW06 with Size 17 Double Stack linear actuator stepper motor.

Motorized RGW06 with Size 17 Double Stack and IDEA Drive.

Motorized RGS04 with Size 17 Double Stack stepper motor.

MOTORIZED RGS® LINEAR RAILS

Identifying the part number codes when ordering Motorized RGS

RG	W	06	K	R	-	M	00	-	0100	-	12	-	XXX
Prefix: RG = Rapid Guide Screw	Frame Style S = Standard W = Wide sensor mount capability	Frame Size: Load** 04* = 15 lbs (67 N) 06 = 35 lbs (156 N) 08* = 50 lbs (222 N) 10 = 100 lbs (445 N) * 04 and 08 not available with wide (W) frame style ** Recommended Horizontal Load See page 217 "Linear Rail Application Checklist" or Checklist Form on page 252	Coating K = Kerkote® X = Special Kerkote with grease)	Thread R = Right hand L = Left hand N = No screw	Drive/Mounting M = Motorized G = IDEA programmable drive, Size 17 and Size 23 only	Motor Frame 28 = Size 11 Stepper Motor 43 = Size 17 Stepper Motor 57 = Size 23 Stepper Motor	Nominal Thread Lead Code Code numbers in Motorized RGS Product Selector Chart (Page 224)	Stroke (rounded up) 07 = 7-in (178 mm) 08 = 8-in (203 mm) 12 = 12-in (305 mm) Available up to 90-in (229 cm)	Unique Identifier Proprietary suffix assigned to a specific customer application. The identifier can apply to either a standard or custom part.				

Carriage holes available in Metric sizes

M3
M4
M5
M6

EXAMPLE:

RGW06KR-M43-0100-12-xxx = RGS®, wide frame style for sensor mounting, for 35 lb (156 N) load, lead-screw with Kerkote® TFE coating, right hand thread, motorized with Size 17 stepper motor, 0.1-in (2.54 mm) lead-screw lead, 12-in. (305 mm) stroke with no added features.

For assistance or order entry, call the Haydon Kerk Motion Solutions Engineering at 603.465.7227. Other systems and styles may be available. Visit www.HaydonKerk.com for recent updates.

Sold & Serviced By:
ELECTROMATE
Toll Free Phone (877) SERV098
Toll Free Fax (877) SERV099
www.electromate.com
sales@electromate.com

Motorized RGS Product Selector Chart

			RGS04	RGS06	RGW06	RGS08	RGS10	RGW10
			Size 11DS	Size 17SS	Size 17SS			
			Size 17DS	Size 17DS	Size 17DS			
				Size 23SS	Size 23SS	Size 23SS	Size 23SS	Size 23SS
				Size 23DS	Size 23DS	Size 23DS	Size 23DS	Size 23DS
Nominal Thread	Lead	Lead Code						
inches	mm							
0.025	0.635	0025	●					
0.039	1.00	0039	●					
0.050	1.27	0050	●	●	●			
0.0625	1.59	0063	●					
0.079	2.00	0079	●	●	●			
0.098	2.50	0098				●		
0.100	2.54	0100	●	●	●	●	●	●
0.118	3.00	0118	●					
0.125	3.18	0125					●	●
0.157	4.00	0157		●	●			
0.197	5.00	0197		●	●	●		
0.200	5.08	0200	●	●	●	●	●	●
0.250	6.35	0250	●	●	●		●	●
0.315	8.00	0315					●	●
0.375	9.53	0375		●	●			
0.394	10.00	0394	●					
0.400	10.16	0400		●	●			
0.472	12.00	0472		●	●			
0.500	12.70	0500	●	●	●	●	●	●
0.630	16.00	0630				●	●	●
0.750	19.05	0750	●	●	●			
0.984	25.00	0984		●	●			
1.000	25.40	1000		●	●	●	●	●
1.200	30.48	1200		●	●			
1.500	38.10	1500					●	●
2.000	50.80	2000					●	●

MOTORIZED RGS® LINEAR RAILS

The RGS and RGW style numbers 04, 06, 08 and 10 indicate the recommended load capacity of the system.

SS = Single Stack, standard Hybrid Linear Actuator Stepper Motor

DS = Double Stack Hybrid Linear Actuator Stepper Motor

RGW = wide base with parallel guide tracks for traversing sensor mount devices

For motor specifications: Size 11 DS, see page 85; Size 17 SS, see page 97; Size 17 DS, see page 103; Size 23 SS, see page 108; Size 23 DS, see page 113

Motorized RGS® Linear Rails

Haydon Kerk Motion Solutions, Inc. • www.HaydonKerk.com • Phone: 800.243.2715 • International: 203.756.7441

Motorized RGS04 with Size 11 Double Stack Linear Actuator Stepper Motor

The smallest available screw-driven slide that offers a compact profile, reliable linear speed, accurate positioning, and long life in a high quality assembly.

For Size 11 Hybrid Linear Actuator Stepper Motor technical specifications, see page 82.

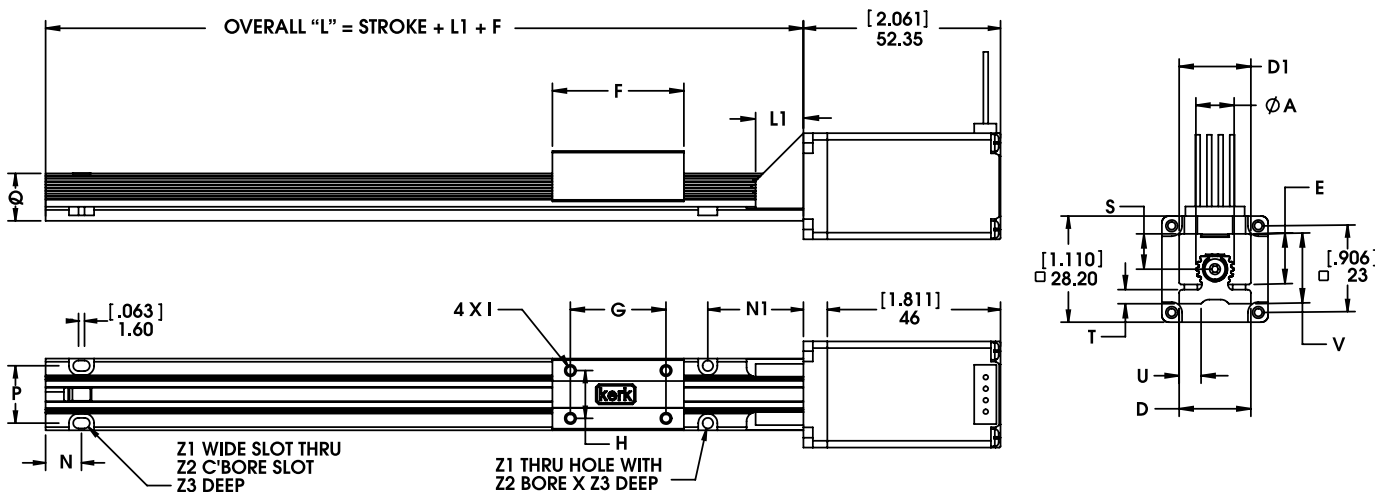


Dimensional Drawing: Motorized RGS04 with Size 11 Double Stack Hybrid Stepper Motor

Recommended for horizontal loads up to 67 N (15 lbs).

	A	D	D1	E	F	G	H	I*	L1	N	N1	P	Q	S	T	U	V	Z1	Z2	Z3
(inch)	(0.4)	(0.75)	(0.75)	(0.53)	(1.4)	(1.0)	(0.5)	4-40	(0.5)	(0.375)	(1.0)	(0.6)	(0.5)	(0.37)	(0.15)	(0.23)	(0.73)	(0.11)	(0.2)	(0.09)
mm	10.2	19.0	19.0	13.5	35.6	25.4	12.7	UNC	12.7	9.52	25.4	15.2	12.7	9.4	3.8	5.8	18.5	2.8	5.1	2.3

* Metric threads also available for carriage.



MOTORIZED RGS®
LINEAR RAILS

Motorized RGS® Linear Rails

Haydon Kerk Motion Solutions, Inc. • www.HaydonKerk.com • Phone: 800.243.2715 • International: 203.756.7441

Motorized RGS06 with Size 17 Linear Actuator Stepper Motor or Size 17 Double Stack

The RGS06 with Size 17 Hybrid Linear Actuator Stepper Motor provides a more stable platform for a variety of linear motion applications.

Size 17 Hybrid Linear Actuator Stepper Motor Single Stack technical specifications are on page 97. Size 17 Hybrid Double Stack Linear Actuator Stepper Motor technical specifications on page 103.



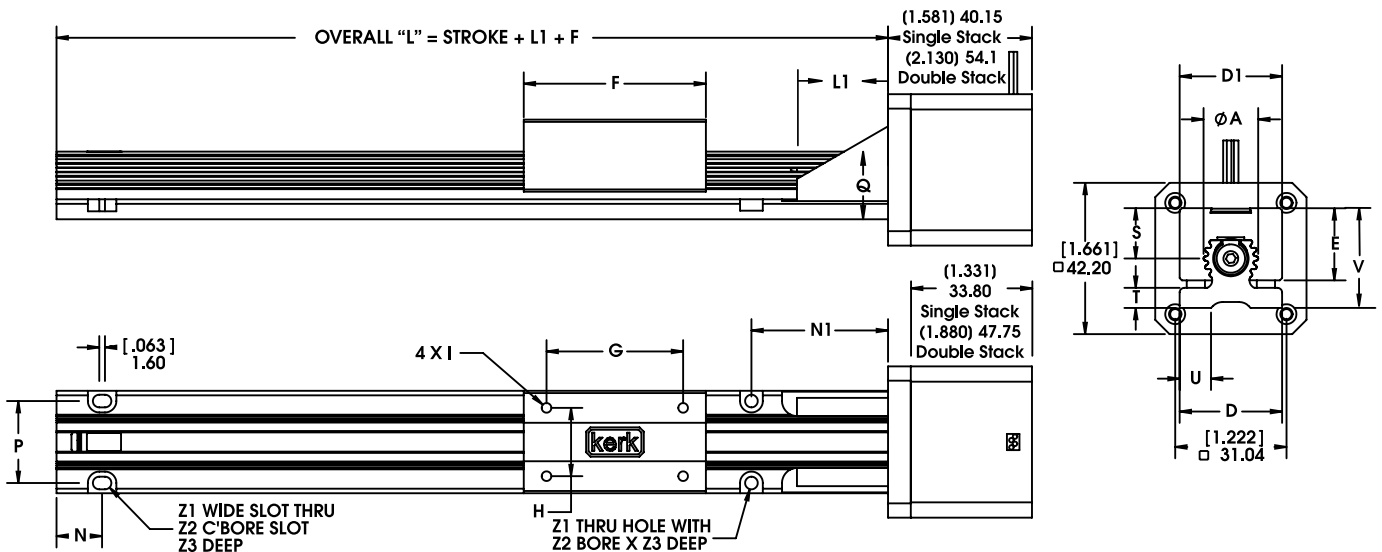
MOTORIZED RGS®
LINEAR RAILS

Dimensional Drawing: Motorized RGS06 with Size 17 Hybrid Stepper Motor

Recommended for horizontal loads up to 156 N (35 lbs).

	A	D	D1	E	F	G	H	I*	L1	N	N1	P	Q	S	T	U	V	Z1	Z2	Z3
(inch)	(0.6)	(1.13)	(1.13)	(0.79)	(2.0)	(1.5)	(0.75)	6-32	(1.0)	(0.5)	(1.5)	(0.9)	(0.74)	(0.55)	(0.22)	(0.35)	(1.1)	(0.14)	(0.25)	(0.13)
mm	15.2	28.7	28.7	20.1	50.8	38.1	19.0	UNC	25.4	12.7	38.1	22.9	18.8	13.9	5.6	8.9	27.8	3.6	6.3	3.3

* Metric threads also available for carriage.



A wide-based Motorized RGW06 with Size 17 Linear Actuator Stepper Motor or Size 17 Double Stack

The RGW06 with Size 17 Hybrid Linear Actuator Stepper Motor provides parallel slots for a flag, sensor bracket or other added components.

Size 17 Hybrid Linear Actuator Stepper Motor technical specifications are on page 97. Size 17 Hybrid Double Stack Linear Actuator Stepper Motor technical specifications on page 103.



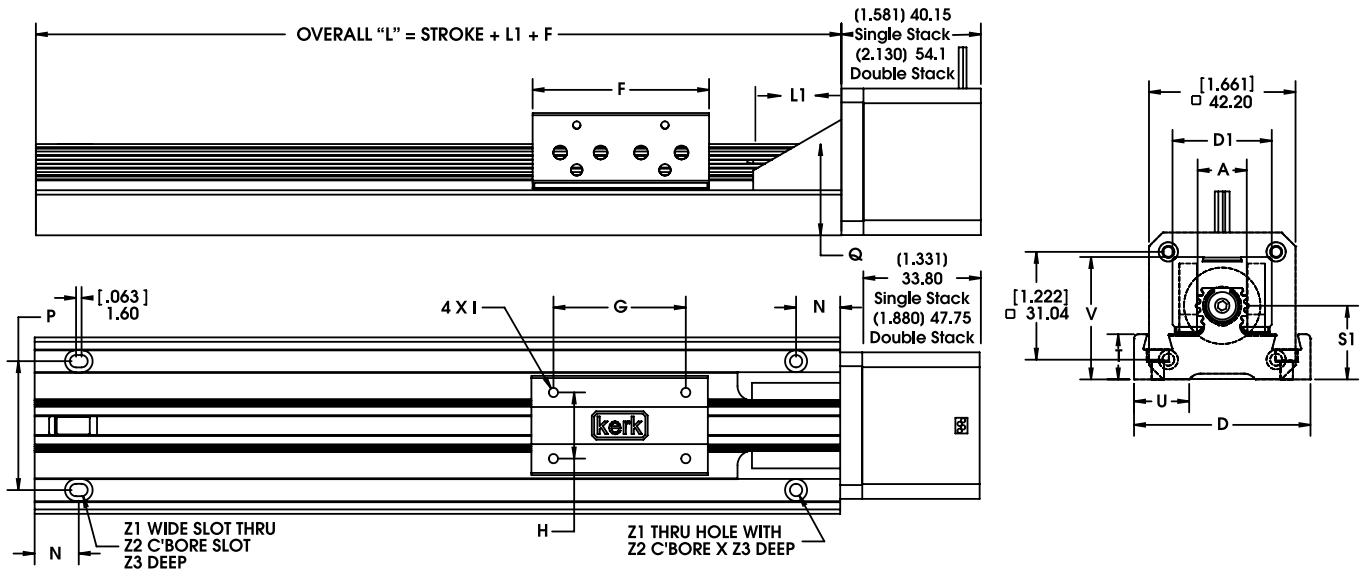
RGW06 with Size 17 Double Stack Hybrid Linear Stepper Motor

Dimensional Drawing: Motorized RGW06 with Size 17 Hybrid Stepper Motor

Recommended for horizontal loads up to 156 N (35 lbs).

	A	D	D1	F	G	H	I*	L1	N	P	Q	S1	T	U	V	Z1	Z2	Z3
(inch)	(0.6)	(2.0)	(1.13)	(2.0)	(1.5)	(0.75)	6-32	(1.0)	(0.5)	(1.46)	(1.04)	(0.83)	(0.51)	(0.63)	(1.39)	(0.14)	(0.25)	(0.14)
mm	15.2	50.8	28.7	50.8	38.1	19.0	UNC	25.4	12.7	37.1	26.4	21.1	13.0	16.0	35.3	3.6	6.3	3.6

* Metric threads also available for carriage.

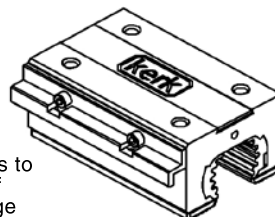


Sensor Mounting Kit

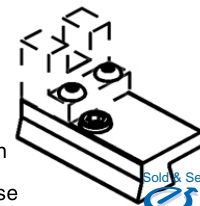
Part Number: **RGW06SK** for a Sensor Kit for **RGW06**

Sensor mounting kits, based on a U-channel optical sensor, are available for the RGW series. Each kit includes one flag, three sensor mounts, and all mounting hardware. Sensors are not included in the kit and must be ordered separately from sensor manufacturer.

Flag
Mounts to side of carriage



RGW06 Sensor Mount
Mounts in slot on RGW base



Sold & Serviced By:

ELECTROMATE

Toll Free Phone (877) SERV098

Toll Free Fax (877) SERV099

www.electromate.com

sales@electromate.com

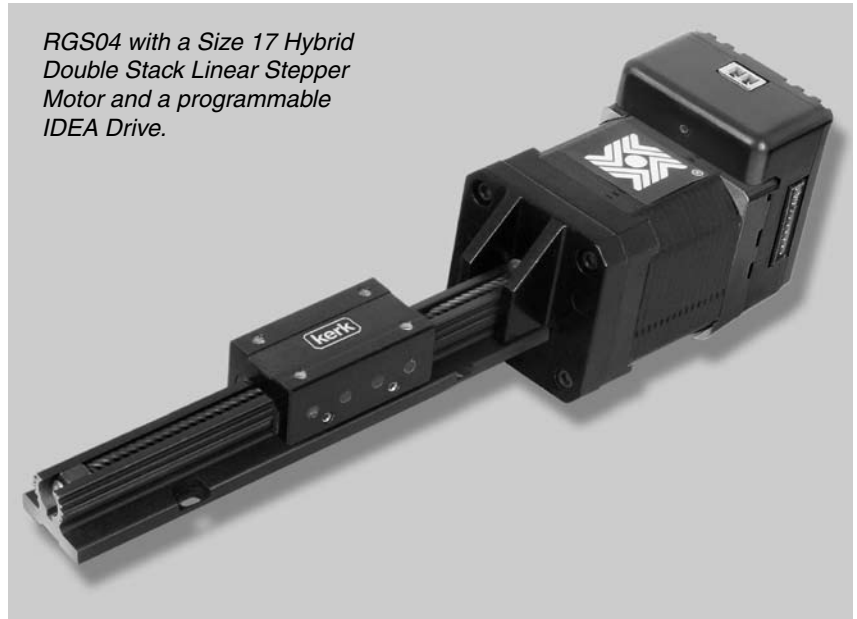
Motorized RGS® Linear Rails

Motorized RGS with an integrated IDEA™ programmable drive and Size 17 Linear Actuator Stepper Motor or a higher performance Size 17 Double Stack Stepper Motor

The Size 17 RGS and RGW Series provides a completely integrated linear motion system with electronically programmed precision in motion control.

Technical Specifications for components:

- Size 17 Hybrid Linear Actuator: Page 97
- Size 17 Hybrid Double Stack: Page 103
- Sensor Mounting Kit for RGW06: Page 231
- IDEA Programmable Drive: Page 106 & 206

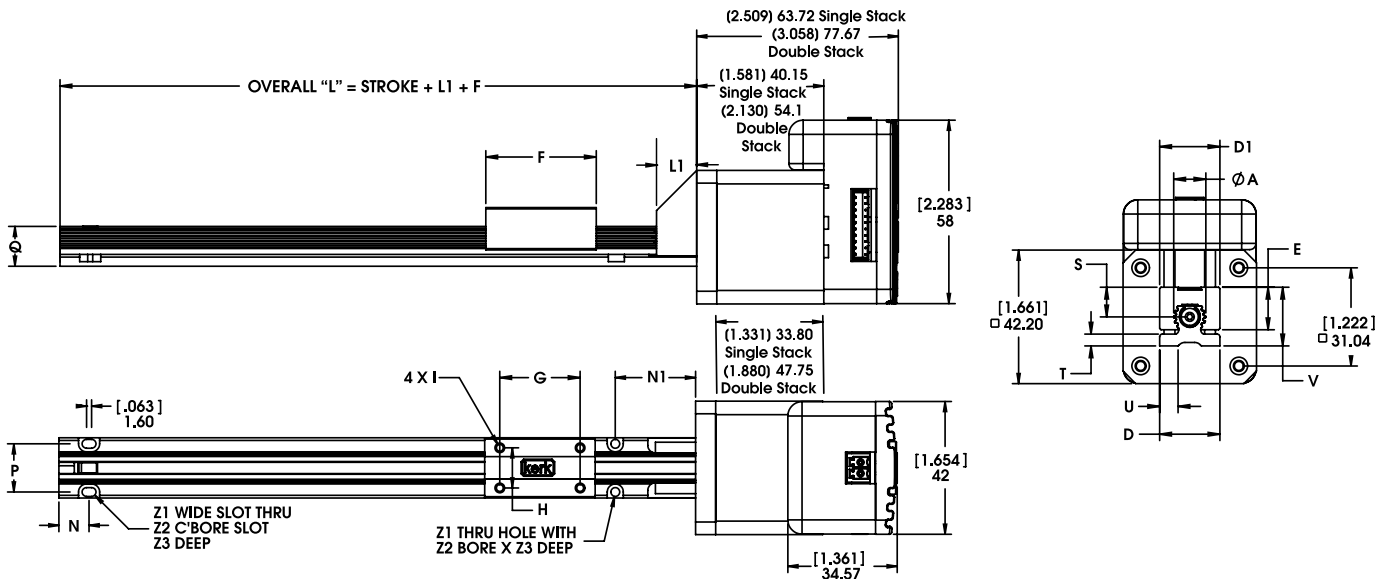


Dimensional Drawing: Motorized RGS04 with Size 17 Hybrid Stepper Motor and IDEA Drive

Recommended for horizontal loads up to 67 N (15 lbs).

	A	D	D1	E	F	G	H	I*	L1	N	N1	P	Q	S	T	U	V	Z1	Z2	Z3
(inch)	(0.4)	(0.75)	(0.75)	(0.53)	(1.4)	(1.0)	(0.5)	4-40	(0.5)	(0.375)	(1.0)	(0.6)	(0.5)	(0.37)	(0.15)	(0.23)	(0.73)	(0.11)	(0.2)	(0.09)
mm	10.2	19.0	19.0	13.5	35.6	25.4	12.7	UNC	12.7	9.52	25.4	15.2	12.7	9.4	3.8	5.8	18.5	2.8	5.1	2.3

* Metric threads also available for carriage.



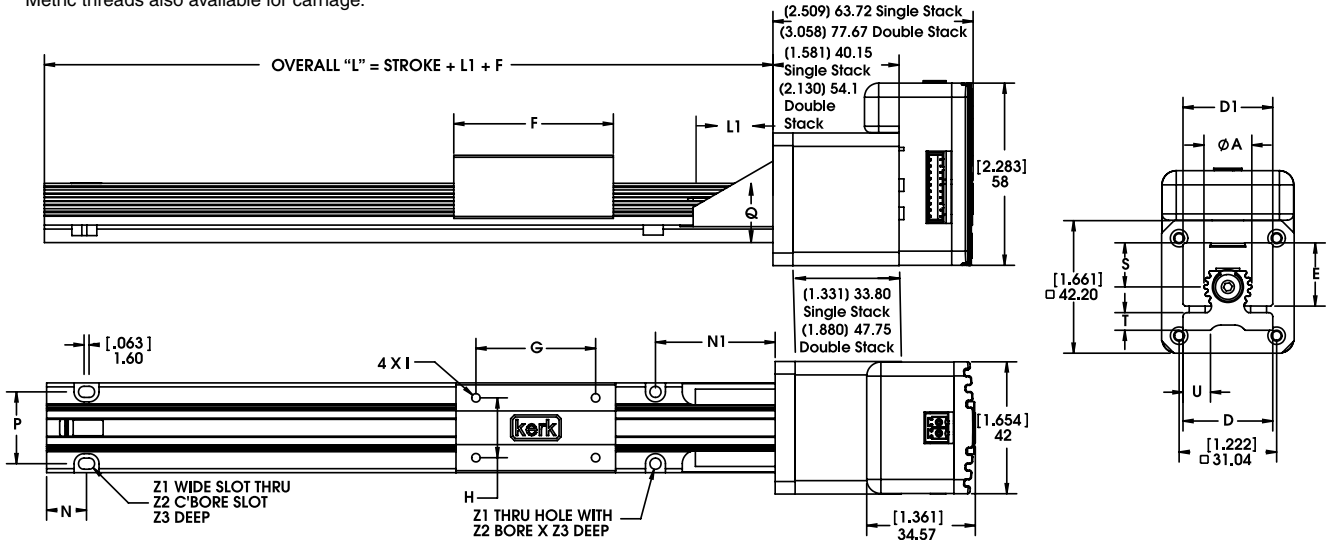
MOTORIZED RGS®
LINEAR RAILS

Dimensional Drawing:
Motorized RGS06 with Size 17 Hybrid Stepper Motor and IDEA Drive

Recommended for horizontal loads up to 156 N (35 lbs).

	A	D	D1	E	F	G	H	I*	L1	N	N1	P	Q	S	T	U	V	Z1	Z2	Z3
(inch)	(0.6)	(1.13)	(1.13)	(0.79)	(2.0)	(1.5)	(0.75)	6-32	(1.0)	(0.5)	(1.5)	(0.9)	(0.74)	(0.55)	(0.22)	(0.35)	(1.1)	(0.14)	(0.25)	(0.13)
mm	15.2	28.7	28.7	20.1	50.8	38.1	19.0	UNC	25.4	12.7	38.1	22.9	18.8	13.9	5.6	8.9	27.9	3.6	6.3	3.3

* Metric threads also available for carriage.

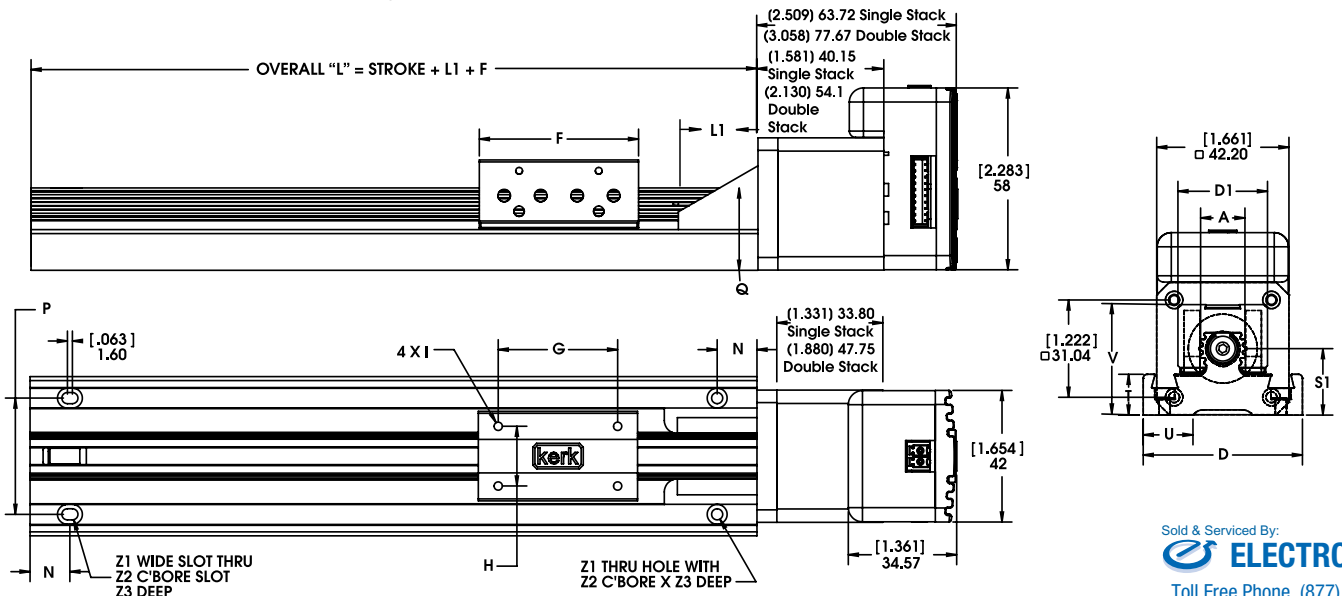


Dimensional Drawing:
Motorized RGW06 Wide base with Size 17 Hybrid and IDEA Drive

Recommended for horizontal loads up to 156 N (35 lbs).

	A	D	D1	F	G	H	I*	L1	N	P	Q	S1	T	U	V	Z1	Z2	Z3
(inch)	(0.6)	(2.0)	(1.13)	(2.0)	(1.5)	(0.75)	6-32	(1.0)	(0.5)	(1.46)	(1.04)	(0.83)	(0.51)	(0.63)	(1.39)	(0.14)	(0.25)	(0.14)
mm	15.2	50.8	28.7	50.8	38.1	19.0	UNC	25.4	12.7	37.1	26.4	21.1	13.0	16.0	35.3	3.6	6.3	3.6

* Metric threads also available for carriage.



MOTORIZED RGS®
LINEAR RAILS

Motorized RGS® Linear Rails

Haydon Kerk Motion Solutions, Inc. • www.HaydonKerk.com • Phone: 800.243.2715 • International: 203.756.7441



Motorized RGS and RGW with Size 23 Linear Actuator Stepper Motor or Size 23 Double Stack

Powering this RGS and wide platform RGW system is the Size 23 Hybrid Linear Actuator Stepper Motor which offers a variety of resolutions per step (down to 0.0079 mm [0.0003125-in]). These high performance motion control systems provide stability and precision for a variety of linear motion applications.

Technical Specifications for components:

- Size 23 Hybrid Linear Actuator: Page 108
- Size 23 Hybrid Double Stack: Page 113
- Sensor Mounting Kit for RGW06: Page 231

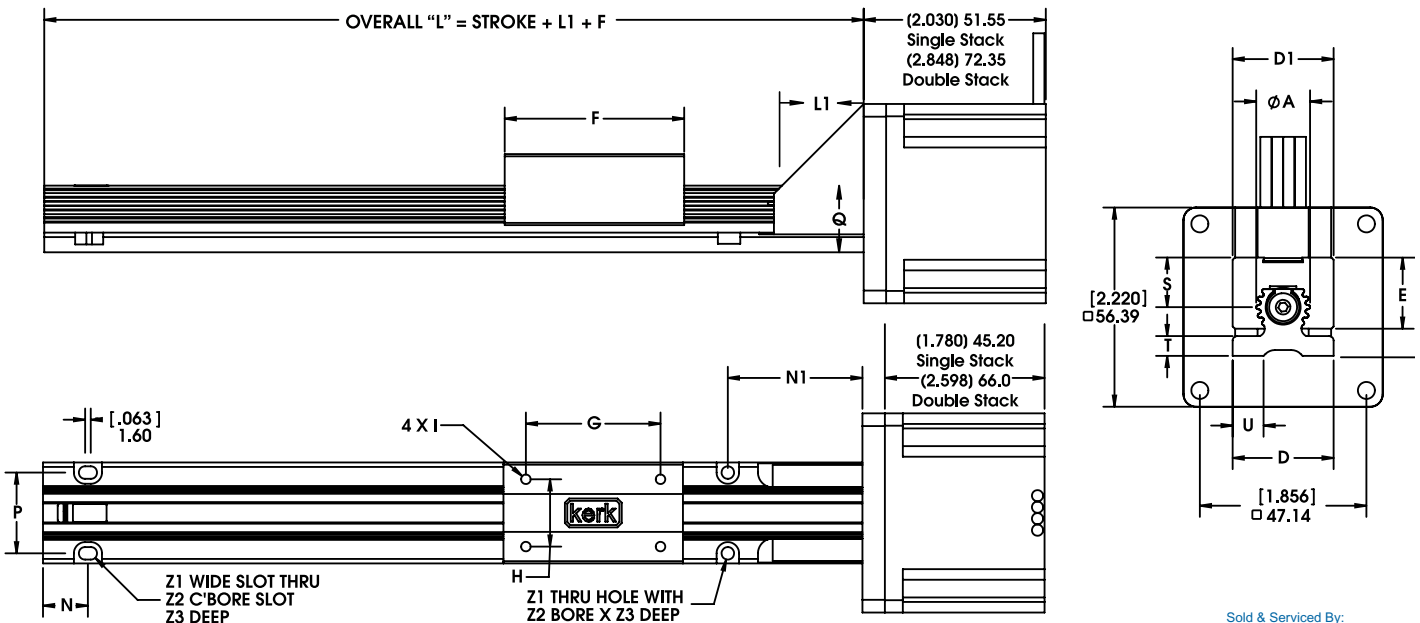
MOTORIZED RGS® LINEAR RAILS

Dimensional Drawing: Motorized RGS06 with Size 23 Hybrid Stepper Motor

Recommended for horizontal loads up to 156 N (35 lbs).

	A	D	D1	E	F	G	H	I*	L1	N	N1	P	Q	S	T	U	V	Z1	Z2	Z3
(inch)	(0.6)	(1.13)	(1.13)	(0.79)	(2.0)	(1.5)	(0.75)	6-32	(1.0)	(0.5)	(1.5)	(0.9)	(0.74)	(0.55)	(0.22)	(0.35)	(1.1)	(0.14)	(0.25)	(0.13)
mm	15.2	28.7	28.7	20.1	50.8	38.1	19.0	UNC	25.4	12.7	38.1	22.9	18.8	13.9	5.6	8.9	27.9	3.6	6.3	3.3

* Metric threads also available for carriage.



Sold & Serviced By:
ELECTROMATE

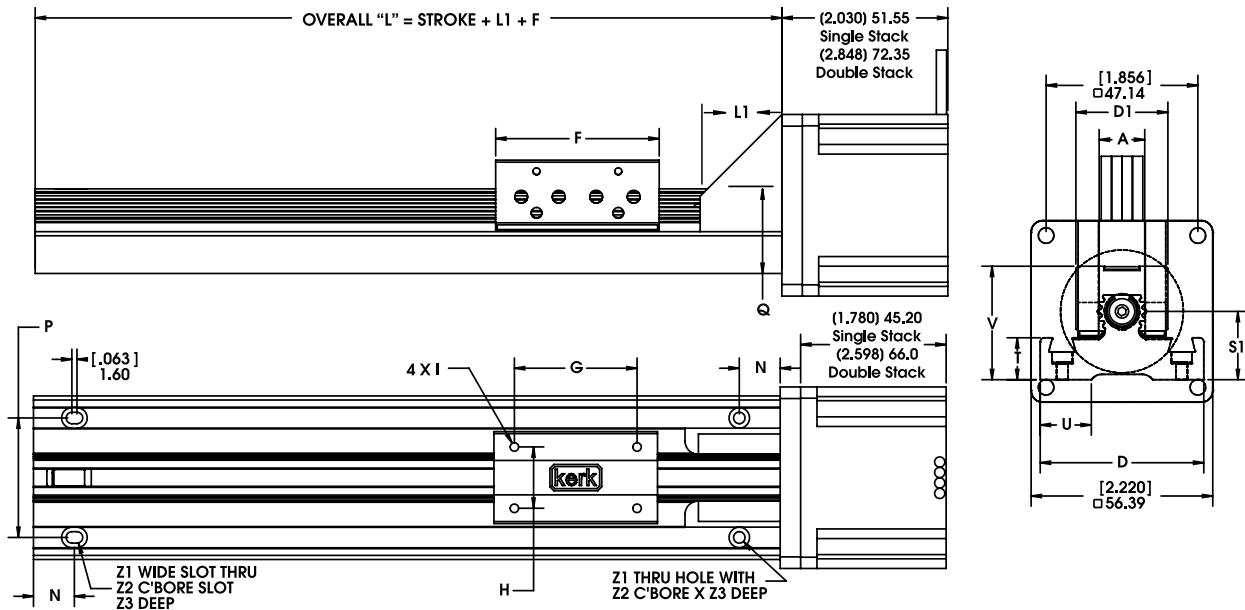
Toll Free Phone (877) SERV098
Toll Free Fax (877) SERV099
www.electromate.com
sales@electromate.com

Dimensional Drawing: Motorized RGW06 with Size 23 Hybrid Stepper Motor

Recommended for horizontal loads up to 156 N (35 lbs).

	A	D	D1	F	G	H	I*	L1	N	P	Q	S1	T	U	V	Z1	Z2	Z3
(inch)	(0.6)	(2.0)	(1.13)	(2.0)	(1.5)	(0.75)	6-32	(1.0)	(0.5)	(1.46)	(1.04)	(0.83)	(0.51)	(0.63)	(1.39)	(0.14)	(0.25)	(0.14)
mm	15.2	50.8	28.7	50.8	38.1	19.0	UNC	25.4	12.7	37.1	26.4	21.1	13.0	16.0	35.3	3.6	6.3	3.6

* Metric threads also available for carriage.



MOTORIZED RGS®
LINEAR RAILS

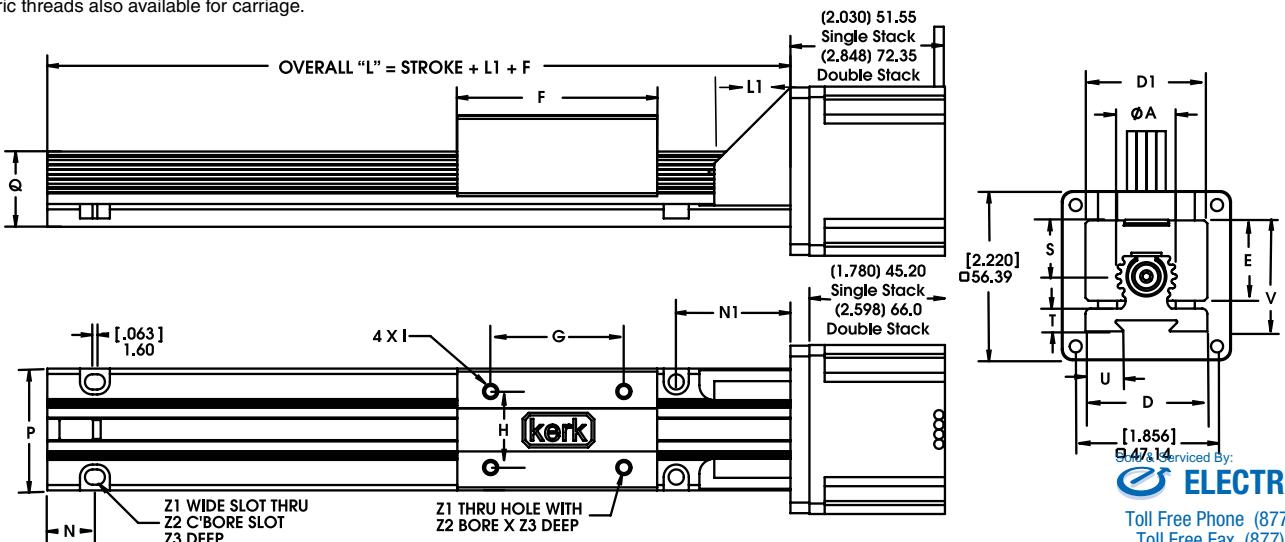
Motorized RGS08 for heavier weight applications

Dimensional Drawing: Motorized RGS08 with Size 23 Hybrid Stepper Motor

Recommended for horizontal loads up to 222 N (50 lbs).

	A	D	D1	E	F	G	H	I*	L1	N	N1	P	Q	S	T	U	V	Z1	Z2	Z3
(inch)	(0.8)	(1.6)	(1.6)	(1.06)	(2.7)	(1.75)	(1.0)	10-24	(1.0)	(0.625)	(1.5)	(1.25)	(1.0)	(0.74)	(0.3)	(0.51)	(1.47)	(0.2)	(0.33)	(0.19)
mm	20.3	40.6	40.6	26.9	68.6	44.5	25.4	UNC	25.4	15.9	38.1	15.9	25.4	18.8	7.6	12.9	37.3	5.1	8.4	4.8

* Metric threads also available for carriage.



Motorized RGS® Linear Rails

Haydon Kerk Motion Solutions, Inc. • www.HaydonKerk.com • Phone: 800.243.2715 • International: 203.756.7441

A Rapid Guide Screw designed for Heavy Duty applications Motorized RGS10 and RGW10 with Size 23 Linear Actuator Stepper Motor or Size 23 Double Stack

Driven by a Size 23 Hybrid motor, the 25.4 mm (1-inch) diameter splined carriage guide has been designed to carry a weight load up to 414 N (100 lbs). A high performance motion control system combines power and precision.

Technical Specifications for components:

- Size 23 Hybrid Linear Actuator: Page 108
- Size 23 Hybrid Double Stack: Page 113



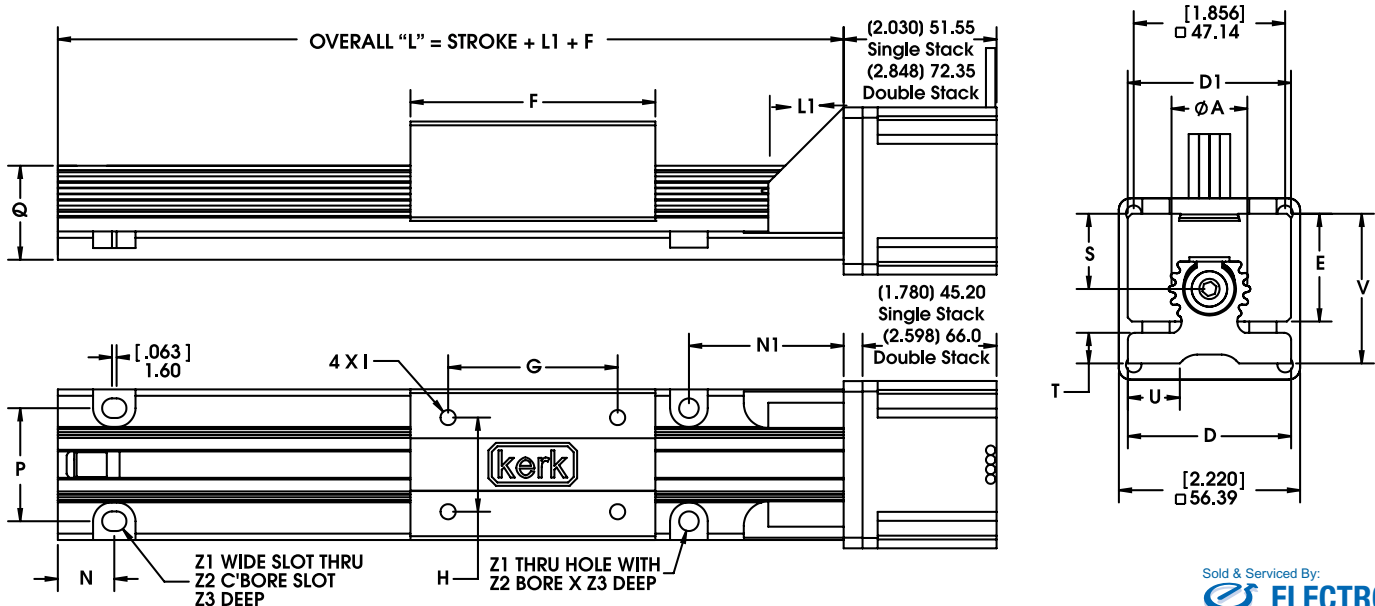
MOTORIZED RGS® LINEAR RAILS

Dimensional Drawing: Motorized RGS10 with Size 23 Hybrid Stepper Motor

Recommended for horizontal loads up to 445 N (100 lbs).

	A	D	D1	E	F	G	H	I*	L1	N	N1	P	Q	S	T	U	V	Z1	Z2	Z3
(inch)	(1.0)	(2.0)	((2.0)	(1.32)	(3.3)	(2.25)	(1.25)	1/4-20	(1.0)	(0.75)	(2.054)	(1.5)	(1.25)	(0.92)	(0.375)	(0.64)	(1.83)	(0.26)	(0.5)	(0.22)
mm	25.4	50.8	50.8	33.5	83.8	57.1	31.7	UNC	25.4	19.0	52.2	38.1	37.1	23.4	9.53	16.3	46.5	6.6	12.7	5.6

* Metric threads also available for carriage.

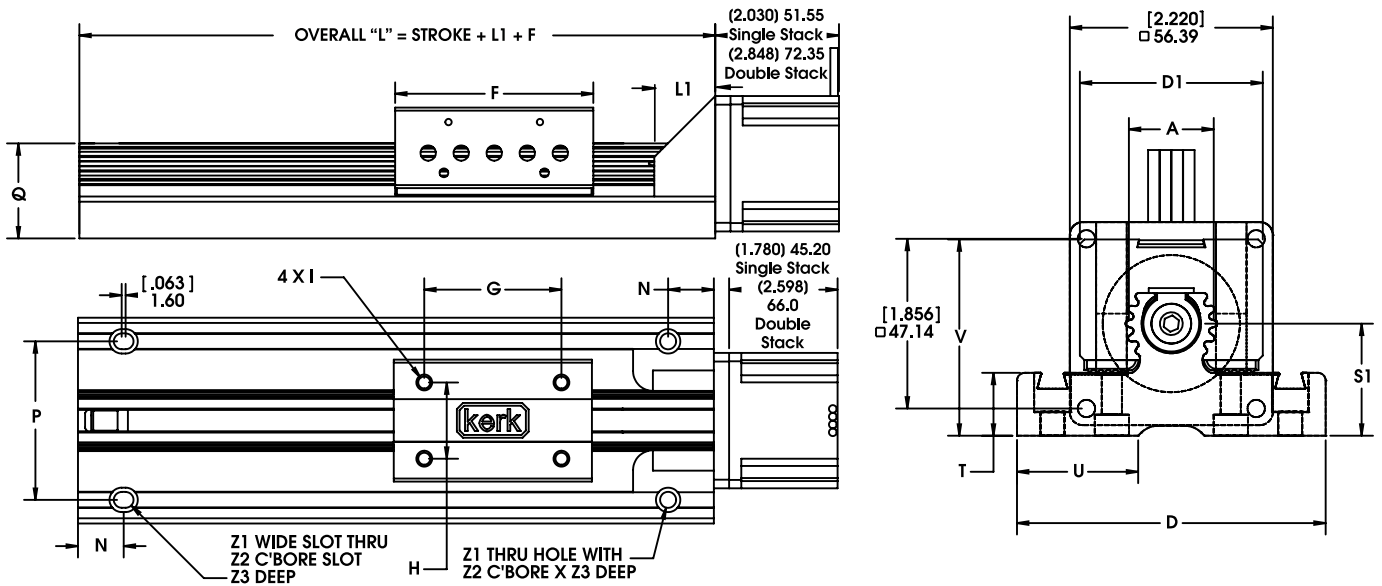


Dimensional Drawing: Motorized RGW10 with Size 23 Hybrid Stepper Motor

Recommended for horizontal loads up to 445 N (100 lbs).

	A	D	D1	F	G	H	I*	L1	N	P	Q	S1	T	U	V	Z1	Z2	Z3
(inch)	(1.0)	(3.38)	(2.0)	(3.3)	(2.25)	(1.25)	1/4-20	(1.0)	(0.75)	(2.6)	(1.56)	(1.22)	(0.69)	(1.33)	(2.15)	(0.26)	(0.4)	(0.43)
mm	25.4	85.9	50.8	83.8	57.1	31.7	UNC	25.4	19.0	66.0	39.6	31.0	17.5	33.8	54.6	6.6	10.2	10.9

* Metric threads also available for carriage.



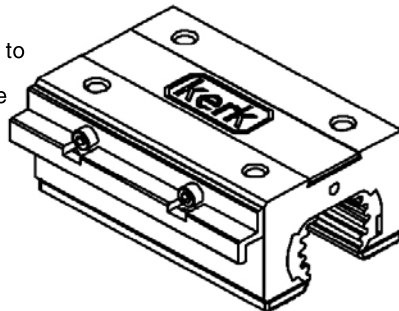
MOTORIZED RGS®
LINEAR RAILS

Sensor Mounting Kit

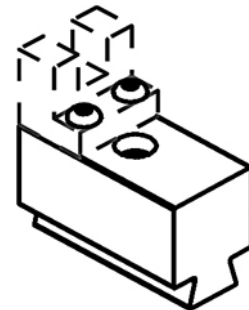
Part Number: **RGW10SK**
for a Sensor Kit for **RGW10**

Sensor mounting kits, based on a U-channel optical sensor, are available for the RGW10 series. Each kit includes one flag, three sensor mounts, and all mounting hardware. Sensors are not included in the kit and must be ordered separately from sensor manufacturer.

Flag
Mounts to side of carriage



RGW10 Sensor Mount
Mounts in slot on RGW base



Non-Motorized RGS® Linear Rails



Haydon Kerk Motion Solutions, Inc. • www.HaydonKerk.com • Phone: 800.243.2715 • International: 203.756.7441

Kerk® Rapid Guide Screw Linear Rails

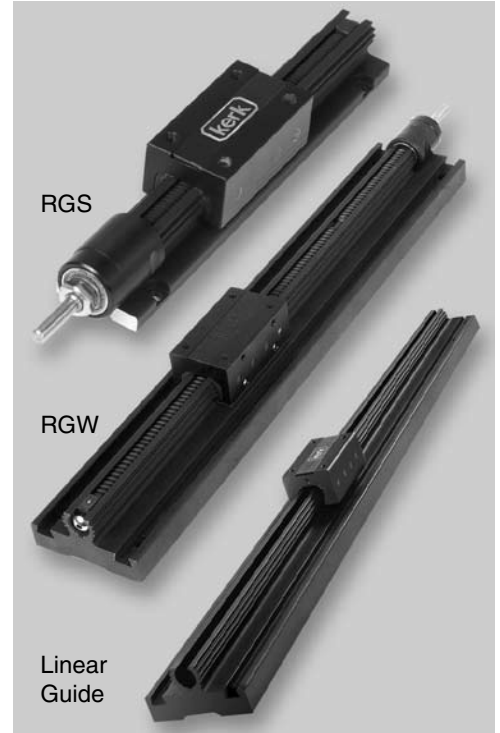


Made of the same quality components used in the motorized series, the **Kerk® RGS® Rapid Guide Screw** utilizes a screw-driven slide that offers reliable, continuous linear speed while maintaining accurate positioning. The length and speed of the RGS is not limited by critical screw speed, allowing high RPM and linear speeds. The RGS rail has a unique, compact profile that provides exceptional torsional stiffness and stability for its size and weight. The integral mounting base can provide support over the entire length that can extend up to 8 feet (2.4 meters). Longer lengths are possible on a special order basis.

Standard leads include .100-in, .200-in, .500-in and 1.00-in (2.54, 5.08, 12.7 and 25.4 mm) travel per revolution. Many optional leads, both inch and metric based, offer everything from high efficiency to non-backdriving leads for vertical applications, eliminating the need for brakes. With Haydon Kerk Motion Solutions, Inc. wide range of available leads, speeds of more than 60 inches per second (1.5 meters per second) are possible, rivaling belts and cables while offering superior positioning accuracy, repeatability and axial stiffness.

The RGS (or the wider platform RGW) includes a splined aluminum guide that keeps the motion smooth throughout the travel distance. The lead-screw is precision-made of high-quality stainless steel rolled on-site at our U.S. manufacturing facility. All moving surfaces include Kerkite® high performance polymers running on Kerkote® TFE coating.

The slides come with a wear-compensating, anti-backlash driven carriage. Additional driven or passive carriages can be added, along with application specific customization. Linear guides, without the drive screw, are also available.



Identifying the part number codes when ordering Rapid Guide Screw Rails

RG	W	06	K	R	A	00	0100	12	XXX
Prefix: RG = Rapid Guide Screw	Frame Style S = Standard W = Wide sensor mount capability	Frame Size: Load** 04* = 15 lbs (67 N) 06 = 35 lbs (156 N) 08* = 50 lbs (222 N) 10 = 100 lbs (445 N) <i>* 04 and 08 not available with wide (W) frame style</i> <i>** Horizontal Load</i>	Coating K = Kerkote® X = Special (ex: Kerkote with grease)	Thread R = Right hand L = Left hand N = No screw	Drive/Mounting A = None B = in-line motor mount	Motor Mount Frame 00 = No motor 43 = Size 17 Stepper Motor Mount 57 = Size 23 for wide RGW 10 frame size only	Nominal Thread Lead Code (inches) Code numbers in Part Number Selector Chart (page 239)	Stroke (rounded up) 07 = 7-in (178 mm) 08 = 8-in (203 mm) 12 = 12-in (305 mm) <i>Available up to 90-in max. (229 cm)</i>	Unique Identifier Proprietary suffix assigned to a specific customer application. The identifier can apply to either a standard or custom part.

Carriage holes available in Metric sizes

M3
M4
M5
M6

See page 217 "Linear Rail Application Checklist" or Checklist Form on page 252

EXAMPLE:

RGW06KR-B43-0100-12-xxx = RGS®, wide frame style for sensor mounting, for 35 lb (156 N) load, lead-screw with Kerkote® TFE coating, right hand thread, with Size 17 stepper in-line motor mount, 0.1-in (2.54 mm) lead-screw lead, 12-in stroke with no added features.

For assistance or order entry, call the Haydon Kerk Motion Solutions Engineering at 603.465.7227. Other systems and styles may be available. Visit www.HaydonKerk.com for recent updates.

Sold & Serviced By:
ELECTROMATE
Toll Free Phone (877) SERV098
Toll Free Fax (877) SERV099
www.electromate.com
sales@electromate.com

NON-MOTORIZED RGS® LINEAR RAILS

Non-Motorized RGS Linear Rails Product Selector Chart

Rapid Guide Screw	Inch Lead	Thread Lead Code	Nominal Rail Diam.	Nominal Screw Diam.	Typical Drag Torque	Life @ 1/4 Design Load*	Torque-to-Move Load*	Design Load*	Screw Inertia
	inch (mm)								
RGS 04	.100 (2.54)	0100	0.4 (10.2)	1/4 (6.4)	3.0 (.02)	100,000,000 (254,000,000)	1.0 (.016)	15 (67)	.3 x 10 ⁻⁵ (6.5 x 10 ⁻⁶)
RGS 04	.200 (5.08)	0200	0.4 (10.2)	1/4 (6.4)	4.0 (.03)	100,000,000 (254,000,000)	1.5 (.023)	15 (67)	.3 x 10 ⁻⁵ (6.5 x 10 ⁻⁶)
RGS 04	.500 (12.70)	0500	0.4 (10.2)	1/4 (6.4)	5.0 (.04)	100,000,000 (254,000,000)	2.5 (.039)	15 (67)	.3 x 10 ⁻⁵ (6.5 x 10 ⁻⁶)
RGS 04	1.000 (25.40)	1000	0.4 (10.2)	1/4 (6.4)	6.0 (.04)	100,000,000 (254,000,000)	4.5 (.070)	15 (67)	.3 x 10 ⁻⁵ (6.5 x 10 ⁻⁶)
RGS 06	.100 (2.54)	0100	0.6 (15.2)	3/8 (9.5)	4.0 (.03)	100,000,000 (254,000,000)	1.0 (.016)	35 (156)	1.5 x 10 ⁻⁵ (4.2 x 10 ⁻⁶)
RGS 06	.200 (5.08)	0200	0.6 (15.2)	3/8 (9.5)	5.0 (.04)	100,000,000 (254,000,000)	1.5 (.023)	35 (156)	1.5 x 10 ⁻⁵ (4.2 x 10 ⁻⁶)
RGS 06	.500 (12.70)	0500	0.6 (15.2)	3/8 (9.5)	6.0 (.04)	100,000,000 (254,000,000)	2.5 (.039)	35 (156)	1.5 x 10 ⁻⁵ (4.2 x 10 ⁻⁶)
RGS 06	1.000 (25.40)	1000	0.6 (15.2)	3/8 (9.5)	7.0 (.05)	100,000,000 (254,000,000)	4.5 (.070)	35 (156)	1.5 x 10 ⁻⁵ (4.2 x 10 ⁻⁶)
RGS 08	.100 (2.54)	0100	0.8 (20.3)	1/2 (12.7)	5.0 (.04)	100,000,000 (254,000,000)	1.1 (.018)	50 (222)	5.2 x 10 ⁻⁵ (20.0 x 10 ⁻⁶)
RGS 08	.200 (5.08)	0200	0.8 (20.3)	1/2 (12.7)	6.0 (.04)	100,000,000 (254,000,000)	1.7 (.027)	50 (222)	5.2 x 10 ⁻⁵ (20.0 x 10 ⁻⁶)
RGS 08	.500 (12.70)	0500	0.8 (20.3)	1/2 (12.7)	7.0 (.05)	100,000,000 (254,000,000)	3.0 (.047)	50 (222)	5.2 x 10 ⁻⁵ (20.0 x 10 ⁻⁶)
RGS 08	1.000 (25.40)	1000	0.8 (20.3)	1/2 (12.7)	8.0 (.06)	100,000,000 (254,000,000)	6.0 (.096)	50 (222)	5.2 x 10 ⁻⁵ (20.0 x 10 ⁻⁶)
RGS 10	.100 (2.54)	0100	1.0 (25.4)	5/8 (15.9)	5.0 (.04)	100,000,000 (254,000,000)	1.3 (.020)	100 (445)	14.2 x 10 ⁻⁵ (3.9 x 10 ⁻⁵)
RGS 10	.200 (5.08)	0200	1.0 (25.4)	5/8 (15.9)	6.5 (.05)	100,000,000 (254,000,000)	2.0 (.031)	100 (445)	14.2 x 10 ⁻⁵ (3.9 x 10 ⁻⁵)
RGS 10	.500 (12.70)	0500	1.0 (25.4)	5/8 (15.9)	7.0 (.05)	100,000,000 (254,000,000)	3.0 (.047)	100 (445)	14.2 x 10 ⁻⁵ (3.9 x 10 ⁻⁵)
RGS 10	1.000 (25.40)	1000	1.0 (25.4)	5/8 (15.9)	8.5 (.06)	100,000,000 (254,000,000)	6.5 (.101)	100 (445)	14.2 x 10 ⁻⁵ (3.9 x 10 ⁻⁵)

NOTE: RGS® assemblies with lengths over 36-in. (914.4 mm) and/or leads higher than .5-in (12.7 mm) will likely have higher drag torque than listed values.

* Determined with load in a horizontal position

Non-Motorized RGS® Linear Rails

Haydon Kerk Motion Solutions, Inc. • www.HaydonKerk.com • Phone: 800.243.2715 • International: 203.756.7441

Kerk® RGS® Linear Rail: Standard Series

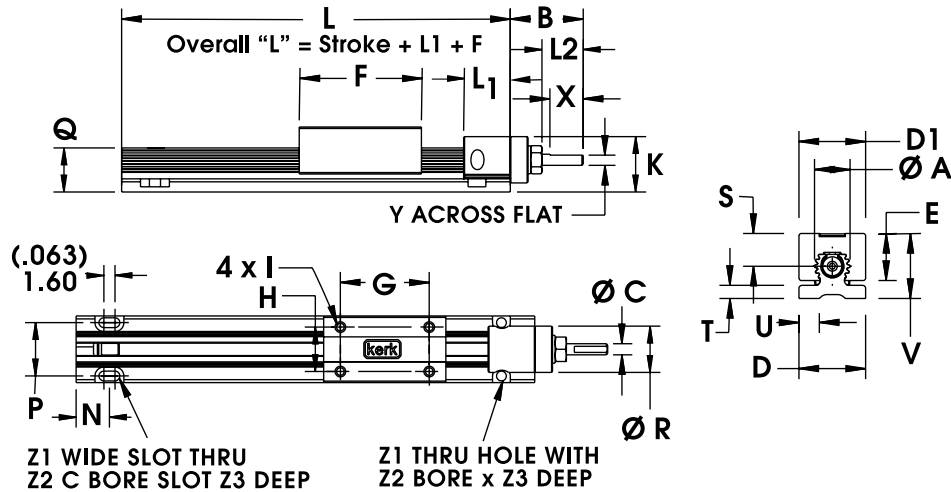
The Rapid Guide Screw Standard Series includes a splined aluminum guide that provides torsional stiffness and stability throughout its length of travel. The guide is available in 4 diameters that can reliably move horizontal loads up to 45 Kg (100 lbs).

Recommended horizontal loads:

- RGS04 – up to 67 N (15 lbs)
- RGS06 – up to 156 N (35 lbs)
- RGS08 – up to 222 N (60 lbs)
- RGS10 – up to 445 N (100 lbs)



Dimensional Drawing: RGS Standard Series Screw-driven Linear Slide



NON-MOTORIZED RGS® LINEAR RAILS

Rapid Guide Screw	A inch (mm)	B inch (mm)	C inch (mm)	D inch (mm)	D1 inch (mm)	E inch (mm)	F inch (mm)	G inch (mm)	H inch (mm)	I*	K inch (mm)	L1 inch (mm)	L2 inch (mm)	N inch (mm)
RGS 04	.40 (10.2)	.83 (21.1)	.1250 (3.175)	.75 (19.1)	.750 (19.1)	.53 (13.5)	1.4 (36)	1.000 (25.40)	.500 (12.7)	4-40 UNC	.6 (15)	.53 (13.5)	.47 (11.9)	.375 (9.53)
RGS 06	.60 (15.2)	1.25 (31.8)	.1875 (4.762)	1.13 (28.6)	1.125 (28.6)	.79 (20.1)	2.0 (51)	1.500 (38.10)	.750 (19.1)	6-32 UNC	.9 (23)	.80 (20.3)	.80 (20.3)	.500 (12.70)
RGS 08	.80 (20.3)	1.50 (38.1)	.2500 (6.350)	1.60 (40.6)	1.60 (40.6)	1.06 (26.9)	2.7 (69)	1.750 (44.45)	1.000 (25.4)	10-24 UNC	1.3 (33)	1.09 (27.7)	.77 (19.6)	.625 (15.88)
RGS 10	1.00 (25.4)	1.75 (44.5)	.3125 (7.938)	2.00 (50.8)	2.000 (50.8)	1.32 (33.5)	3.3 (83)	2.250 (57.15)	1.250 (31.8)	1/4-20 UNC	1.6 (41)	1.30 (33.0)	1.30 (33.0)	.750 (19.05)

* Metric carriage hole sizes available: M3, M4, M5 and M6

Rapid Guide Screw	P inch (mm)	Q inch (mm)	R inch (mm)	S inch (mm)	T inch (mm)	U inch (mm)	V inch (mm)	X inch (mm)	Y inch (mm)	Z1 inch (mm)	Z2 inch (mm)	Z3 inch (mm)
RGS 04	.600 (15.24)	.50 (12.7)	.52 (13.2)	.37 (9.4)	.15 (3.8)	.23 (5.8)	.73 (18.5)	.38 (9.7)	.115 (2.92)	.11 (2.8)	.20 (5.1)	.09 (2.3)
RGS 06	.900 (22.86)	.74 (18.8)	.80 (20.3)	.55 (14.0)	.22 (5.6)	.35 (8.9)	1.10 (27.9)	.50 (12.7)	.170 (4.32)	.14 (3.6)	.25 (6.4)	.13 (3.3)
RGS 08	1.250 (31.75)	1.00 (25.4)	1.04 (26.4)	.74 (18.8)	.30 (7.6)	.51 (13.0)	1.47 (37.3)	.70 (17.8)	.220 (5.59)	.20 (5.1)	.33 (8.4)	.19 (4.8)
RGS 10	1.500 (38.10)	1.25 (31.8)	1.30 (33.0)	.92 (23.4)	.375 (9.5)	.64 (16.3)	1.83 (46.5)	.88 (22.4)	.280 (7.11)	.26 (6.6)	.50 (12.7)	.22 (5.6)

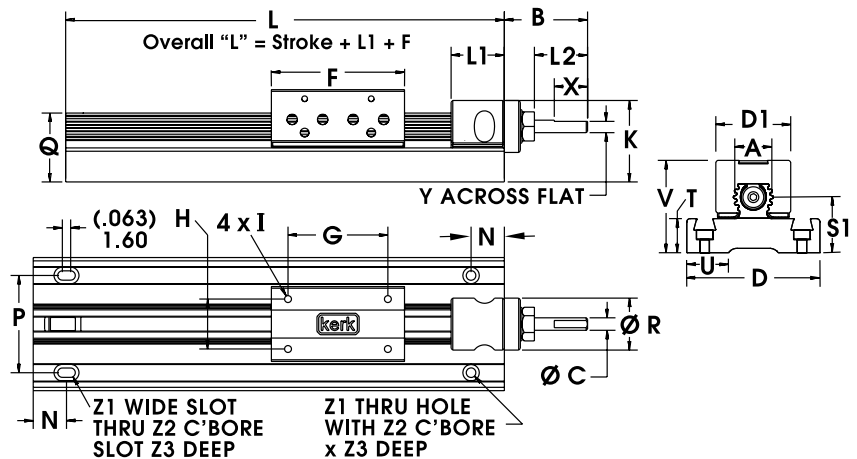
Sold & Serviced By:
ELECTROMATE
Toll Free Phone (877) SERV098
Toll Free Fax (877) SERV099
www.electromate.com
sales@electromate.com



Kerk® RGW Linear Rail Series
– wider style with mounting slots and brackets

The RGW Series configurations of the Rapid Guide Screw linear rail simplify limit switch sensor mounting. The RGW includes slots for sensor brackets and mounting provisions for a flag on the carriage. The motor, coupling and sensors are not provided, but a sensor mounting kit for a common optical sensor is available from Haydon Kerk Motion Solutions, Inc.

Dimensional Drawing:
RGW Wide Series
Screw-driven Linear Rail



RGW Series

Wide Rapid Guide Screw	A inch (mm)	B inch (mm)	C inch (mm)	D inch (mm)	D1 inch (mm)	F inch (mm)	G inch (mm)	H inch (mm)	I*	K inch (mm)	L1 inch (mm)	L2 inch (mm)	N inch (mm)
RGW 06	.60 (15.2)	1.25 (31.8)	.1875 (4.762)	2.00 (50.8)	1.13 (28.6)	2.0 (51)	1.500 (38.10)	.750 (19.05)	6-32 (UNC)	1.2 (30)	.80 (20.3)	.80 (20.3)	.500 (12.70)
RGW 10	1.00 (25.4)	1.75 (44.5)	.3125 (7.938)	3.38 (85.7)	2.00 (50.8)	3.3 (83)	2.250 (57.15)	1.250 (31.75)	1/4-20 (UNC)	1.9 (48)	1.30 (33.0)	1.30 (33.0)	.750 (19.05)

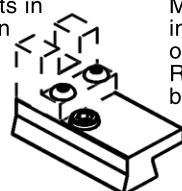
* Metric carriage hole sizes available: M3, M4, M5 and M6

	P inch (mm)	Q inch (mm)	S1 inch (mm)	T inch (mm)	U inch (mm)	V inch (mm)	X inch (mm)	Y inch (mm)	Z1 inch (mm)	Z2 inch (mm)	Z3 inch (mm)
RGW 06	1.460 (37.08)	1.04 (26.4)	.83 (21.2)	.51 (13.0)	.63 (16.0)	1.39 (35.3)	.50 (12.7)	.170 (4.32)	.14 (3.7)	.25 (6.4)	.14 (3.6)
RGW 10	2.600 (66.04)	1.56 (39.6)	1.22 (31.0)	.69 (17.5)	1.33 (33.8)	2.15 (54.6)	.88 (22.4)	.280 (7.11)	.26 (6.6)	.40 (10.2)	.43 (10.9)

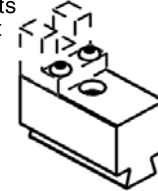
Sensor Mounting Kit

Part Number: **RGW06SK** for a **RGW06**
Part Number: **RGW10SK** for a **RGW10**
Sensor mounting kits, based on a U-channel optical sensor, are available for the RGW series. Each kit includes one flag, three sensor mounts, and all mounting hardware. Sensors are not included in the kit and must be ordered separately from sensor manufacturer.

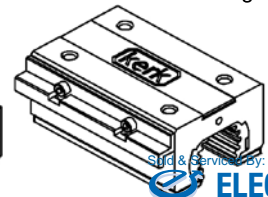
RGW06 Sensor Mount
Mounts in slot on RGW base



RGW10 Sensor Mount
Mounts in slot on RGW base



Flag
Mounts to side of carriage



NON-MOTORIZED RGS® LINEAR RAILS



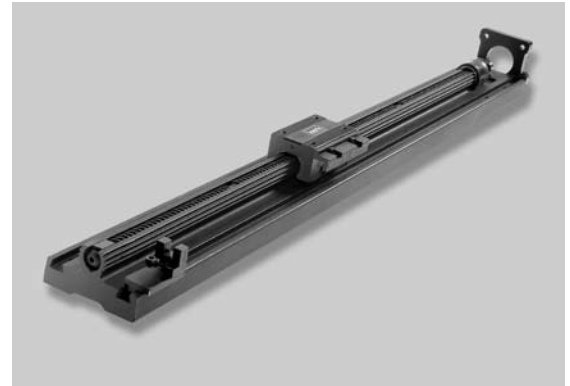
Toll Free Phone (877) SERV098
Toll Free Fax (877) SERV099
www.electromate.com
sales@electromate.com

Non-Motorized RGS® Linear Rails

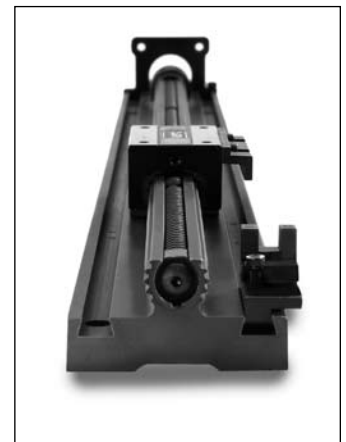
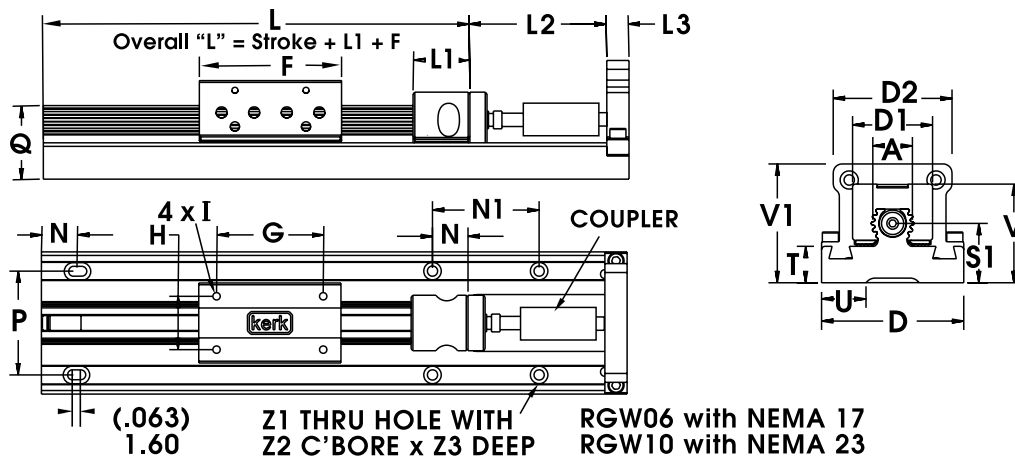
Haydon Kerk Motion Solutions, Inc. • www.HaydonKerk.com • Phone: 800.243.2715 • International: 203.756.7441

Kerk® RGW Motor Mount Linear Rail Series – mounting slots, brackets and Motor Mount

The RGW Series includes a Rapid Guide Screw linear rail that simplifies motor and limit switch sensor mounting. The RGW includes a bracket for motor mounting and slots for sensor brackets and mounting provisions for a flag on the carriage. The motor, coupling and sensors are not provided, but a sensor mounting kit for a common optical sensor is available from Haydon Kerk Motion Solutions, Inc.



Dimensional Drawing: RGW Wide Series Screw-driven Linear Rail with Motor Mount



NOTE: The coupling shown in the Dimensional Drawing is not included.

RGW Motor Mount Series

Wide, Motor Mount Rapid Guide Screw	A	D	D1	D2	F	G	H	I*	L1	L2			
	inch (mm)	inch (mm)	inch (mm)	inch (mm)	inch (mm)	inch (mm)	inch (mm)		inch (mm)	inch (mm)	Z1	Z2	Z3
RGW 06	.60 (15.2)	2.00 (50.8)	1.13 (28.6)	1.67 (42.2)	2.0 (51)	1.500 (38.10)	.750 (19.05)	6-32 UNC	.80 (20.3)	1.93 (48.9)			
RGW 10	1.00 (25.4)	3.38 (85.7)	2.00 (50.8)	2.22 (56.4)	3.3 (83)	2.250 (57.15)	1.250 (31.75)	1/4-20 UNC	1.30 (33.0)	2.16 (54.9)			

* Metric carriage hole sizes available: M3, M4, M5 and M6

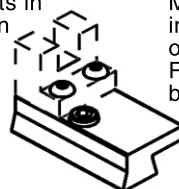
Wide, Motor Mount Rapid Guide Screw	L3	N	N1	P	Q	S1	T	U	V	V1	Z1	Z2	Z3
	inch (mm)	inch (mm)	inch (mm)	inch (mm)	inch (mm)	inch (mm)	inch (mm)	inch (mm)	inch (mm)	inch (mm)	inch (mm)	inch (mm)	inch (mm)
RGW 06	.31 (7.9)	.500 (12.70)	1.50 (38.1)	1.460 (37.08)	1.04 (26.4)	.83 (21.2)	.51 (13.0)	.63 (16.0)	1.39 (35.3)	1.67 (42.4)	.14 (3.6)	.25 (6.4)	.14 (3.6)
RGW 10	.50 (12.7)	.750 (19.05)	1.50 (38.1)	2.600 (66.04)	1.56 (39.6)	1.22 (31.0)	.69 (17.5)	1.33 (33.8)	2.15 (54.6)	2.34 (59.3)	.26 (6.6)	.40 (10.2)	.43 (10.9)

NON-MOTORIZED RGS®
LINEAR RAILS

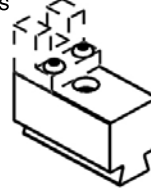
Sensor Mounting Kit

Part Number: **RGW06SK** for a **RGW06**
Part Number: **RGW10SK** for a **RGW10**
Sensor mounting kits, based on a U-channel optical sensor, are available for the RGW series. Each kit includes one flag, three sensor mounts, and all mounting hardware. Sensors are not included in the kit and must be ordered separately from sensor manufacturer.

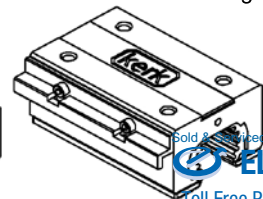
RGW06 Sensor Mount
Mounts in slot on RGW base



RGW10 Sensor Mount
Mounts in slot on RGW base



Flag
Mounts to side of carriage



Kerk® RGS® Linear Guide Series without Lead-screw

Kerk RGS Linear Guides provide a strong, stable platform for a variety of linear motion applications. The RGS Linear Guide is designed to easily mount to any flat surface, or bridge free spans, with a convenient, easy-access carriage. The splined aluminum profile, with Kerkote® TFE coating, combines low friction linear guidance with torsional stability. The Linear Guides can be configured in lengths up to 8 feet without special tooling, with one or more carriages, in standard or custom configurations. The wide linear guide series features a wider base for even greater stability. Kerk® RGS Linear Guides are constructed of high strength, extruded aluminum and Kerkite® composite polymer with Kerkote TFE on all critical surfaces. This proven combination of materials assures exceptionally long life without the need for adjustment, lubrication or maintenance. The simplicity of the RGS Linear Guide makes it both easy to use and a great value. Similar to other Haydon Kerk Motion Solutions products, it can be easily modified to custom configurations to suit most applications. The Kerk® RGS Linear Guides are perfect companions to the Kerk® RGS series of screw-driven linear slides. All Kerk® RGS Series products share the same rail and carriage geometry and simplify equipment design and reduce part counts, and are equally suitable for use with Kerk® lead-screws or any other type of drive or actuator.



Identifying the part number codes when ordering Linear Guides

RG	S	06	K	N	A	00	0000	12	XXX
Prefix: RG = RG Compatible Linear Guide	Frame Style S = Standard W = Wide sensor mount capability	Carriage Guide Width 04* = 15 lbs (67 N)** 06 = 35 lbs (156 N)** 08* = 50 lbs (222 N)** 10 = 100 lbs (445 N)** <i>* 04 and 08 not available with wide (W) frame style</i> <i>** Horizontal Load</i>	Coating K = Kerkote® X = Custom	Thread N = No screw	Drive/ Mounting A = None	Motor Frame 00 = No motor	Screw 0000 = No screw	Stroke (rounded up) 07 = 7-in (177.8 mm) 08 = 8-in (203 mm) 12 = 12-in (304.8 mm) (up to 40-in (102.6 cm) max.) Up to 8 ft. (244 cm) Option	Unique Identifier Proprietary suffix as- signed to a specific customer applica- tion. The identifier can apply to either a standard or custom part.
<div style="border: 1px solid black; padding: 5px; width: fit-content; margin: auto;"> <p>Carriage holes available in Metric sizes</p> <p>M3 M4 M5 M6</p> </div>									
<p>See page 217 "Linear Rail Application Checklist" or Checklist Form on page 252</p>									

EXAMPLE:

RGS06KN-A00-0000-12-xxx = Linear Guide, standard frame width, rail guide width 0.6-in (15.2 mm), Kerkote® TFE coated surface areas, 12-in (304.8 mm) stroke with no added features.

For assistance or order entry, call the Haydon Kerk Motion Solutions Engineering at 603.465.7227. Other systems and styles may be available. Visit www.HaydonKerk.com for recent updates.

LINEAR GUIDES

RGS® Linear Guides without Lead-Screw

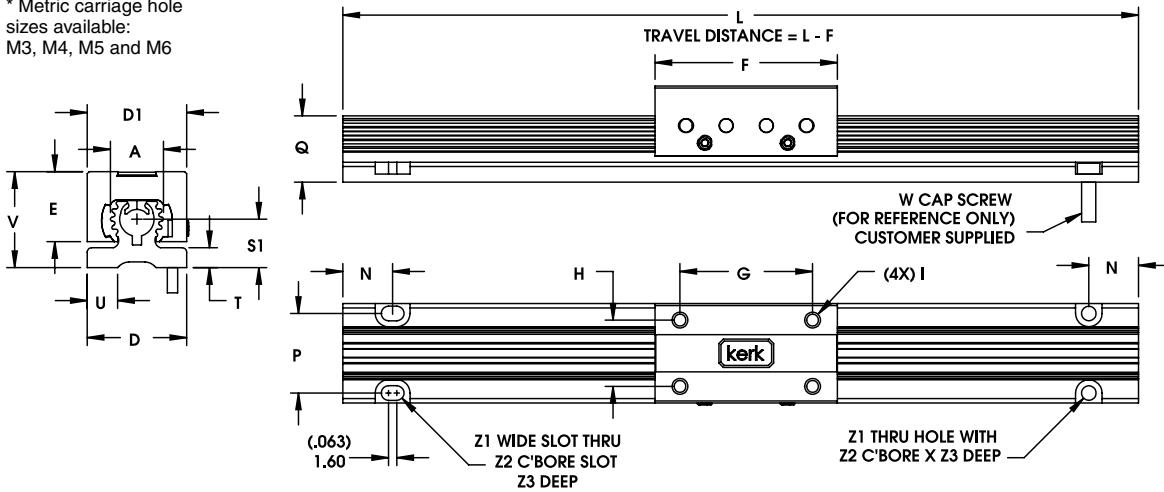
Haydon Kerk Motion Solutions, Inc. • www.HaydonKerk.com • Phone: 800.243.2715 • International: 203.756.7441

Dimensional Drawing: RGS® Linear Guides without Lead-screw

RGS Linear Guide: Standard Series

Linear Guide	A inch (mm)	D inch (mm)	D1 inch (mm)	E inch (mm)	F inch (mm)	G inch (mm)	H inch (mm)	I* inch (mm)	N inch (mm)	P inch (mm)	Q inch (mm)	S inch (mm)	T inch (mm)	U inch (mm)	V inch (mm)	Z1 inch (mm)	Z2 inch (mm)	Z3 inch (mm)
RGS 04	.40 (10.2)	.75 (19.1)	.75 (19.1)	.53 (13.5)	1.4 (36)	1.000 (25.40)	.500 (12.70)	4-40 UNC	.375 (9.53)	.600 (15.24)	.50 (12.7)	.37 (9.4)	.15 (3.8)	.23 (5.8)	.73 (18.5)	.11 (2.8)	.20 (5.1)	.09 (2.3)
RGS 06	.60 (15.2)	1.13 (28.6)	1.13 (28.6)	.79 (200.1)	2.0 (51)	1.500 (38.10)	.750 (19.05)	6-32 UNC	.500 (12.70)	.900 (22.86)	.74 (18.8)	.55 (14.0)	.22 (5.6)	.35 (8.9)	1.10 (27.9)	.14 (3.6)	.25 (6.4)	.13 (3.3)
RGS 08	.80 (20.3)	1.60 (40.6)	1.60 (40.6)	1.06 (26.9)	2.7 (69)	1.750 (44.45)	1.00 (25.4)	10-24 UNC	.625 (15.88)	1.250 (31.75)	1.0 (25.4)	.74 (18.8)	.30 (7.6)	.51 (13.0)	1.47 (37.3)	.20 (5.1)	.33 (8.38)	.19 (4.82)
RGS 10	1.00 (25.4)	2.00 (50.8)	2.00 (50.8)	1.32 (33.5)	3.3 (83)	2.250 (57.15)	1.250 (31.75)	1/4-20 UNC	.750 (19.05)	1.500 (38.10)	1.25 (31.8)	.92 (23.4)	.375 (9.5)	.64 (16.3)	1.83 (46.5)	.26 (6.6)	.50 (12.7)	.22 (5.6)

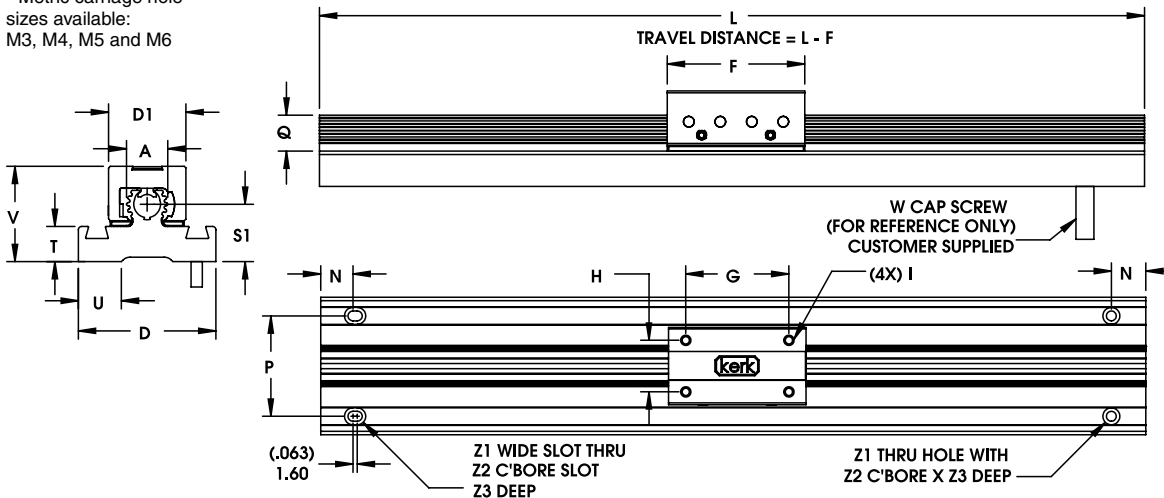
* Metric carriage hole sizes available: M3, M4, M5 and M6



RGW Linear Guide: Wide Series

Linear Guide	A inch (mm)	D inch (mm)	D1 inch (mm)	F inch (mm)	G inch (mm)	H inch (mm)	I* inch (mm)	N inch (mm)	P inch (mm)	Q inch (mm)	S1 inch (mm)	T inch (mm)	U inch (mm)	V inch (mm)	Z1 inch (mm)	Z2 inch (mm)	Z3 inch (mm)
RGW 06	.60 (15.2)	2.00 (50.8)	1.13 (28.6)	2.0 (51)	1.500 (38.10)	.750 (19.05)	6-32 UNC	.500 (12.70)	1.460 (37.08)	1.04 (26.4)	.83 (21.2)	.51 (13.0)	.63 (16.0)	1.39 (35.3)	.14 (3.6)	.25 (6.4)	.14 (3.6)
RGW 10	1.00 (25.4)	3.38 (85.7)	2.00 (50.8)	3.3 (83)	2.250 (57.15)	1.250 (31.75)	1/4-20 UNC	.750 (19.05)	2.600 (66.04)	1.56 (39.6)	1.22 (31)	.69 (17.5)	1.33 (33.8)	2.15 (54.6)	.26 (6.6)	.40 (10.2)	.43 (10.9)

* Metric carriage hole sizes available: M3, M4, M5 and M6



LINEAR GUIDES

LRS™ – Linear Rail Systems

The LRS Linear Rail System in a variety of configurations, both motorized and non-motorized. These precision linear rail systems consist of a stationary base and a load bearing carriage that travels along a rigid extruded aluminum rail. The LRS Linear Rail System is available with several in-line motor options including a single stack or double stack size 17 stepper motor, a stepper motor with an integral chopper drive, or the IDEA™ programmable linear actuator, consisting of the stepper motor, drive, and controller programmed through a graphic user interface (GUI). The LRS is also available without a motor, easily allowing the designer flexibility to integrate with a variety of motor types and belt and pulley configurations.

The LRS carriage design is unique; it controls slide bearing play with a patent pending self-adjusting linear bearing. Integrated along the entire length of the rail system are “T” slots allowing the ability to mount limit switches and sensors. The lead screw is made from 303 stainless steel and can be configured with optional Black Ice TFE coating for durable and permanent lubrication. The LRS Linear Rail system comes standard with a general purpose lead screw nut, but for extreme control, the system can be configured with an optional Kerk CMP or WDG precision anti-backlash nut.



Key Product Features

- “T” slots integrated into exterior rail bottom and sides that accommodate full length support and various mounting options.
- Loads easily attach to the compact, moving carriage with four or six M4 x 0.7 size screws.
- Load bearing carriage moves efficiently and smoothly within the internal rail geometry of this specially designed aluminum extrusion.
- Rail provides end-to-end axial stability and precise motion system accuracy.
- Automatic adjustments of slide bearing play with a patent pending “anti-backlash” linear bearing.
- Rated life equals that of the existing lead-screws of similar size.
- Lead-screw end configurations adapt to various rotary motion sources.
- Kerkote® or Black Ice™ TFE coatings on a 303 stainless steel lead-screw.
- Designed to Metric global engineering standards.
- For extreme control, LRS can be used with CMP or WDG high-precision anti-backlash nuts, as well as a freewheeling general purpose nut.

Identifying the part number codes when ordering LRS Slides

LR	W	04	B	R	M	43	0025	12	XXX
Prefix: LR = Linear Rail System (LRS)	Nut Style B = BFW nut W = WDG nut G = Guide only	Rail Frame Size: 04 = 50 lbs (23 Kg) * <i>Horizontal Load</i>	Coating S = Uncoated B = Black Ice™ TFE N = No screw	Thread R = Right hand L = Left hand N = No screw X = Custom	Drive/Mounting A = None B = No motor, in-line motor mount M = Motorized G = IDEA Drive	Motor Frame 00 = No motor 43 = Size 17 Stepper Motor XX = Custom	Nominal Thread Lead Code (see Lead Code Chart below) 0000 = No screw Select from Lead Code Chart	Stroke (rounded up) 07 = 7-in (177.8 mm) 08 = 8-in (203 mm) 12 = 12-in (304.8 mm) <i>Available up to 24-in (609.6 cm) max.</i>	Unique Identifier Proprietary suffix assigned to a specific customer application. The identifier can apply to either a standard or custom part.

Lead (inch)	Lead (mm)	Thread Lead Code
-------------	-----------	------------------

0.025	0.635	0025
0.03125	0.794	0031
0.0394	1.0	0039
0.05	1.27	0050
0.0625	1.588	0063
0.0787	2.0	0079
0.1	2.54	0100
0.125	3.175	0125
0.1969	5.0	0197
0.25	6.35	0250
0.3937	10.0	0394
0.5	12.7	0500
0.75	19.05	0750
1.0	25.4	1000

HOW TO ORDER EXAMPLES:

LRG04NN-A00-0000-12-XXX = Linear Rail System, guide only, standard linear rail, guide only (no screw), no motor, 12-in (304.8 mm) stroke, with no additional unique feature

LRW04BR-M43-0025-12-XXX = Linear Rail System, WDG anti-backlash nut, standard linear rail, Black Ice TFE coated screw, right hand thread, motorized, Size 17 stepper motor, 0.025-in (0.635 mm) lead, 12-in (304.8 mm) stroke, with no additional unique feature

For applications assistance or order entry, call the Haydon Kerk Motion Solutions Engineering at 203.756.7441. Other systems may be available. Visit www.HaydonKerk.com for recent updates.

Haydon™ LRS™ – Linear Rail Systems Motorized Slide Technology

For optimum performance, the system can be fitted with the Haydon™ patented, Size 17 Hybrid Linear Actuators (43000 Series) available in a wide variety of resolutions - from 0.001524 mm (0.00006-in) per step to 0.048768 mm (0.00192-in) per step, and delivers thrust of up to 222 N (50 lbs.). For greater performance Size 17 Hybrid Double Stack Linear Actuators provide 0.0158 mm (0.000625-in) per step to 0.127 mm (0.005-in) per step and delivers thrust of up to 337 N (75 lbs.).



Haydon™ LRS™ – Linear Rail Systems slide technology

Haydon Linear Rail Systems (LRS) is also available without a motor. The lead-screw used in the system is provided with various leads and shaft end configurations that accommodate virtually any source of rotary power.



Sold & Serviced By:
ELECTROMATE

Toll Free Phone (877) SERV098
Toll Free Fax (877) SERV099
www.electromate.com
sales@electromate.com

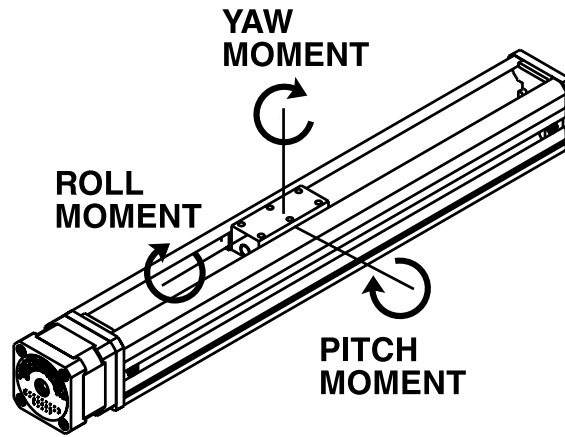
LRS™ LINEAR RAIL SYSTEMS
SLIDE TECHNOLOGY

Performance Specifications: LRS System

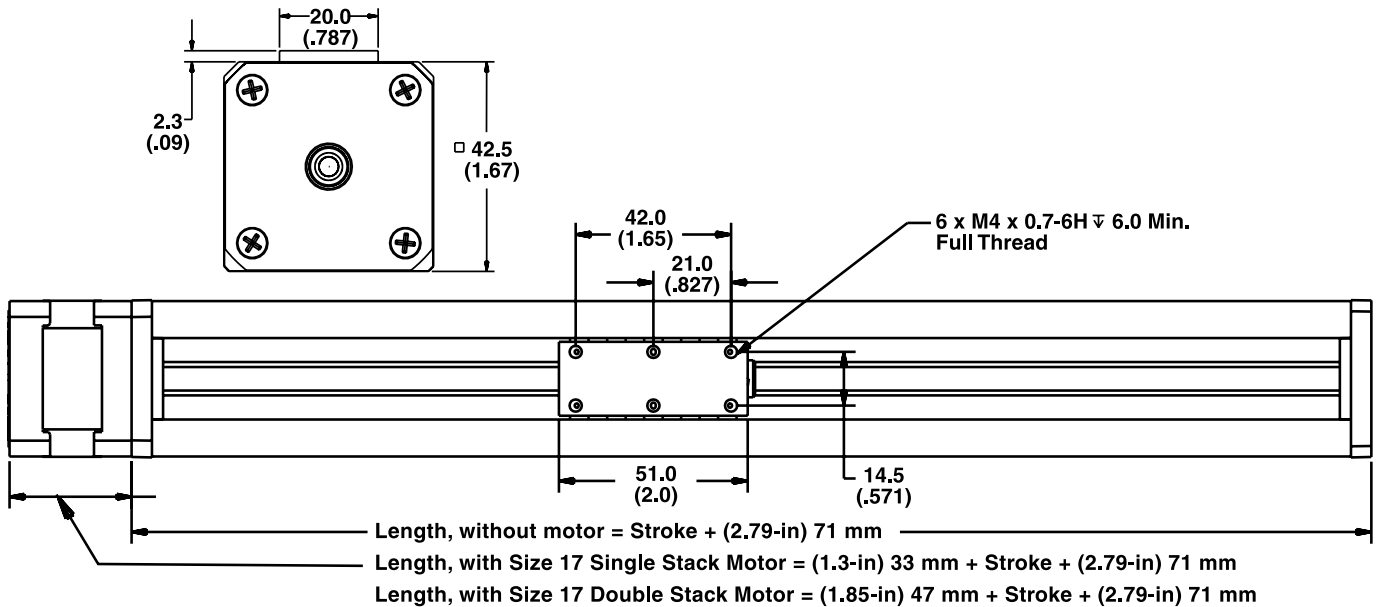
Width	Length of Stroke (max)	Speed (max)	Straight Line Accuracy	Twist
1-5/8-in square (4.3 cm square)	40-in (1000 mm)	20-in/sec (0.5 M/sec)	+/- 0.012-in/ft (+/- 1.0 mm/M)	+/- 0.25°/ft (+/- 0.75°/M)

Load Ratings (max)

Top Load "Z" Direction	Hanging / Gantry	Max. Pitch Moment	Max. Moment Roll	Max. Moment Yaw
50 lbs (225 N)	50 lbs (225 N)	75-in – lbs (8.5 N – M)	75-in – lbs (8.5 N – M)	75-in – lbs (8.5 N – M)



Dimensional Drawing: LRS System



For technical information about the Size 17 (43000 Series) Linear Actuator Stepper motor see page 97. For Double Stack see page 103.

The motorized LRS system with the IDEA™ programmable drive

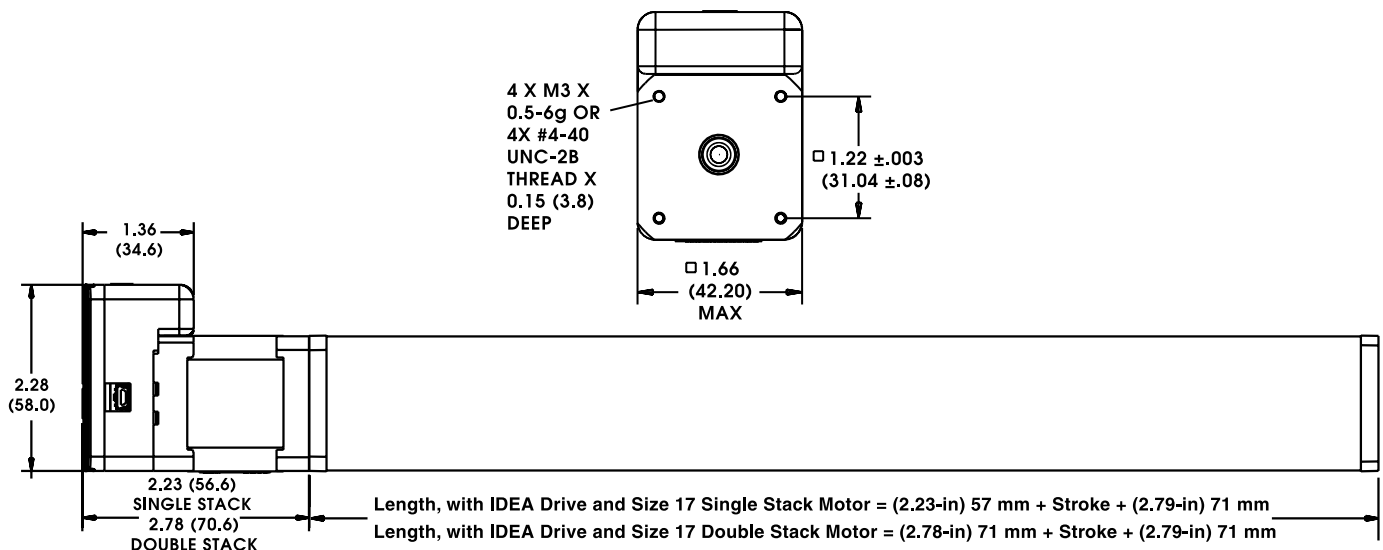
The IDEA™ Drive Size 17 hybrid stepper motor linear actuator integrates a motor, linear translation, and programming capability in a single compact package. Programming is through a simple-to-use patent pending Graphic User Interface.

For technical information about IDEA Drive see pages 106 and 206. The specifications for the Size 17 Linear Actuator Stepper motor are located on page 97 and the Double Stack is on page 103.



28.6 cm (11-1/4 in.) x 4.3 cm (1-5/8 in.) sq., Black Ice™ TFE Lead-screw, with Size 17 Double Stack Hybrid Linear Actuator with IDEA programmable Drive

Dimensional Drawing: LRS System with IDEA™ Drive



Notes

Notes

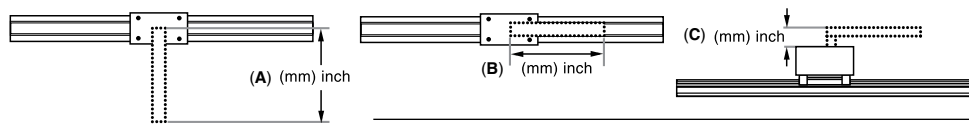
Linear Rail Application Checklist

Haydon Kerk™ Linear Rail Systems are designed to be precision motion devices. Many variables must be considered before applying a particular rail system in an application. The following is a basic checklist of information needed that will make it easier for the Haydon Kerk engineering team to assist you in choosing the proper linear rail.

Name _____ Company _____
 Address _____ City _____ State _____ Zip _____
 Country _____ Phone _____ Email _____

1) **Maximum Load?** _____ (N or lbs.)

2) **Load Center of Gravity (cg) Distance and Height?** (mm or inches) See illustrations (A) (B) (C) below.



Dimensions

mm / inch:

(A) _____

... OR (B) _____

AND... (C) _____

3) **Rail Mount Orientation?**

The force needed to move the load is dependent on the orientation of the load relative to the force of gravity. For example, total required force in the horizontal plane (D) is a function of friction and the force needed for load acceleration ($F_f + F_a$). Total force in the vertical plane is a function of friction, load acceleration, and gravity ($F_f + F_a + F_g$).

Orientation:

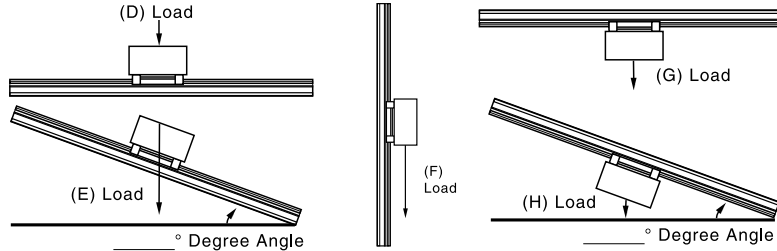
(D) _____ °

(E) _____ °

(F) _____ °

(G) _____ °

(H) _____ °



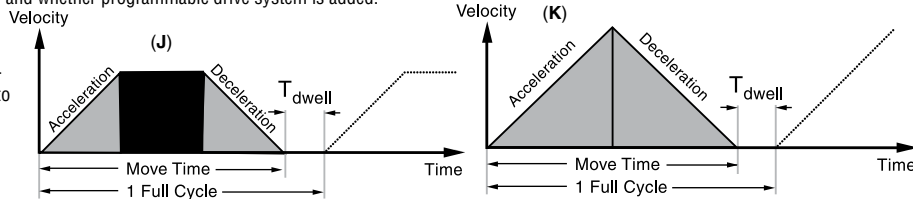
4) **Stroke Length to Move Load?** _____ (mm or inches). Overall rail size will be a function of stroke length needed to move the load, the rail frame size (load capability), the motor size, and whether programmable drive system is added.

5) **Move Profile?** A trapezoidal move profile divided into 3 equal segments is a common move profile and easy to work with. Another common move profile is a triangular profile divided into 2 equal segments.

(J) Trapezoidal

(K) Triangular

(L) Complex



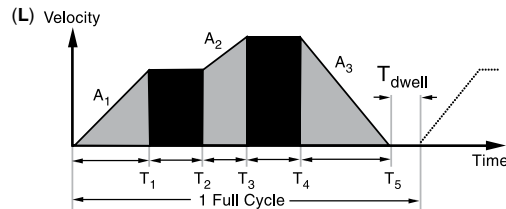
If using a trapezoidal (J) or triangular (K) move profile, the following is needed...

- a) Point to point move distance _____ (mm or inches)
- b) Move time _____ (seconds) including time of acceleration and deceleration
- c) Dwell time between moves _____ (seconds)

The trapezoidal move profile is a good starting point in helping to size a system for prototype work.

A complex move profile (L) requires more information.

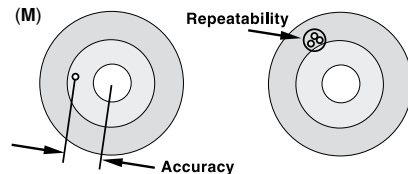
- a) Time (in seconds) including: $T_1, T_2, T_3, T_4, T_5 \dots T_n$ and T_{dwell}
- b) Acceleration/Deceleration (in mm/sec.² or inches/sec.²) including: $A_1, A_2, A_3 \dots A_n$



For details contact Haydon Kerk Motion Solutions Engineering – call 203.756.7441.

6) **Position Accuracy Required?** _____ (mm or inches). Accuracy = the difference between the theoretical position and actual position capability of the system. Due to manufacturing tolerances, actual travel will be slightly different than theoretical "commanded" position. See figure (M) on right.

7) **Position Repeatability Required?** _____ (mm or inches) Repeatability = the range of positions attained when the rail is commanded to approach the same position multiple times under identical conditions. See figure (M) on right.



8) **Positioning Resolution Required?** _____ (mm/step or inches/step).

Positioning resolution is the smallest move command that the system can generate. The resolution is a function of many factors including the drive electronics, lead screw pitch, and encoder (if required). The terms "resolution" and "accuracy" should never be used interchangeably.

9) **Closed-Loop Position Correction Required?:** YES NO

In stepper motor-based linear rail systems, position correction is typically accomplished using a rotary incremental encoder (either optical or magnetic).

10) **Life Requirement?:** (select the most important application parameter)

- a) Total mm or inches _____
- b) Number of Full Strokes _____
- c) Number of Cycles _____

11) **Operating Temperature Range?** _____ (°C or °F)

- a) Will the system operate in an environment in which the worst case temperature is above room temperature?
- b) Will the system be mounted in an enclosure with other equipment generating heat?

12) **Controller / Drive Information?** a) Haydon Kerk IDEA™ Drive (with Size 17 and Size 23 Stepper Motors only)

b) Customer Supplied Drive... Type?... Chopper Drive L / R Drive Model: _____

13) **Power Supply Voltage?** _____ (VDC)

14)* **Step Resolution?** a) Full Step b) Half-Step c) Micro-Step

15)* **Drive Current?** _____ (A_{rms} / Phase) and _____ (A_{peak} / Phase)

16)* **Current Boost Capability?** _____ (%)

* If the Haydon Kerk IDEA™ Drive is used disregard items 14, 15, and 16

SEE CATALOG PAGES 217 TO 219 FOR EXPLANATIONS.