

HarmonicDrive®

Speed Reducers for Precision Motion Control

HarmonicDrive® Reducer Catalog

- Gear Units CSG/CSF
- Engineering Data

Sold & Serviced By:



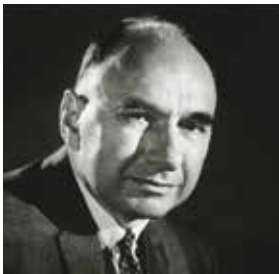
Toll Free Phone (877) SERV098
www.electromate.com
sales@electromate.com

Excellent Technology for Evolving Industries

Harmonic Drive® actuators utilize high-precision, zero-backlash Harmonic Drive® precision gears and play critical roles in robotics, semiconductor manufacturing equipment, factory automation equipment, medical diagnostics and surgical robotics. Additionally, our products are frequently used in mission-critical spaceflight applications which capture the human spirit.

With over 50 years of experience, our expert engineering and production teams continually develop enabling technologies for the evolving motion control market. We are proud of our outstanding engineering capabilities and successful history of providing customer specific solutions to meet their application requirements.

Harmonic Drive LLC continues to develop enabling technologies for the evolving motion control market, which drives the pace of global innovation.



C. Walton Musser
Patented Strain Wave
Gearing in 1955

Sold & Serviced By:



Toll Free Phone (877) SERV098

www.electromate.com

sales@electromate.com

Operating Principle of HarmonicDrive® Gears

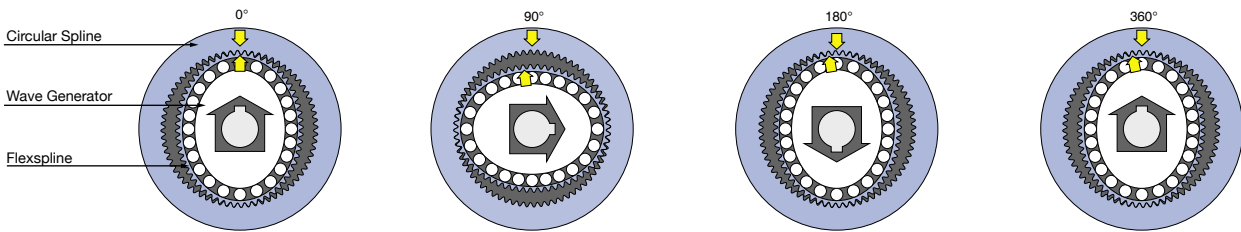
A simple three-element construction combined with the unique operating principle puts extremely high reduction ratio capabilities into a very compact and lightweight package. The high-performance attributes of this gearing technology including, zero-backlash, high-torque-to-weight ratio, compact size, and excellent positional accuracy, are a direct result of the unique operating principles.



Wave Generator
The Wave Generator is a thin, raced-ball bearing fitted onto an elliptical hub. This serves as a high-efficiency torque converter and is generally mounted onto the input or motor shaft.

Flexspline
The Flexspline is a non-rigid, thin cylindrical cup with external teeth on the open end of the cup. The Flexspline fits over the Wave Generator and takes on its elliptical shape. The Flexspline is generally used as the output of the gear.

Circular Spline
The Circular Spline is a rigid ring with internal teeth. It engages the teeth of the Flexspline across the major axis of the Wave Generator ellipse. The Circular Spline has two more teeth than the Flexspline and is generally mounted onto a housing.



The Flexspline is slightly smaller in diameter than the Circular Spline and usually has two fewer teeth than the Circular Spline. The elliptical shape of the Wave Generator causes the teeth of the Flexspline to engage the Circular Spline at two opposite regions across the major axis of the ellipse.

As the Wave Generator rotates the teeth of the Flexspline engage with the Circular Spline at the major axis.

For every 180 degree clockwise movement of the Wave Generator, the Flexspline rotates counterclockwise by one tooth in relation to the Circular Spline.

Each complete clockwise rotation of the Wave Generator results in the Flexspline moving counterclockwise by two teeth from its original position, relative to the Circular Spline. Normally, this motion is taken out as output.

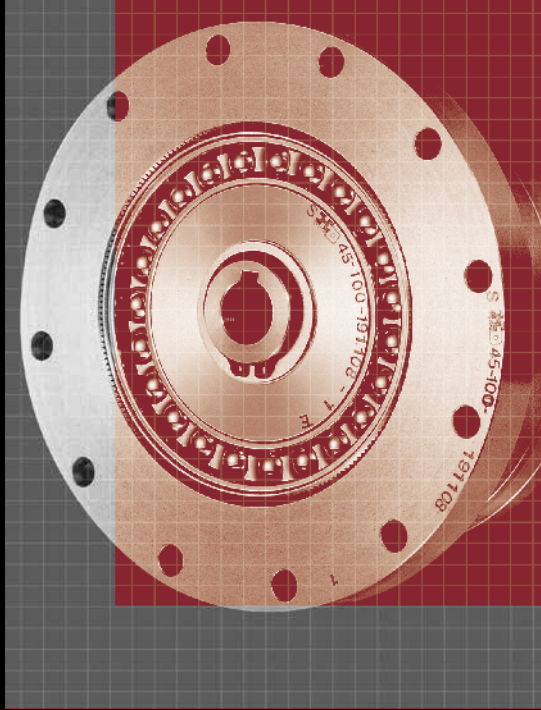
Development of HarmonicDrive® Speed Reducers



Harmonic Drive® gears have been evolving since the strain wave gear was first patented in 1955. Our innovative development and engineering teams have led us to significant advances in our gear technology. In 1988, Harmonic Drive successfully designed and manufactured a new tooth profile, the "S" tooth. Since implementing the "S" tooth profile, improvement in life, strength and torsional stiffness have been realized. In the 1990s, we focused engineering efforts on designing gears featuring space savings, higher speed, higher load capacity and higher reliability. Then in the 2000s, significant reduction in size and thickness were achieved, all while maintaining high precision specifications.

HarmonicDrive®



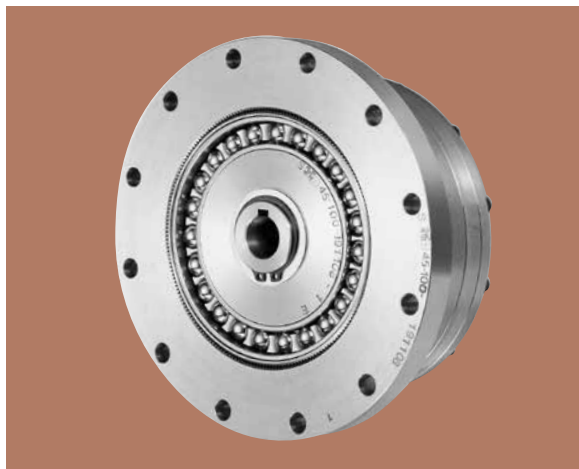


CSG/CSF Series

Gear Unit CSG/CSF

Features	124	CSG-2UH	123
Ordering code	125	CSG-2UH-LW	123
Technical data		CSF-2UH	123
• Rating table (CSG)	126	CSF-2UH-LW	123
• Rating table (CSF)	127	CSG-2UK	146
• Outline drawings and dimensions	128	CSF-2UP	157
• Positional accuracy	130	CSF-mini	169
• Hysteresis loss	130	CSF-superminil	195
• Backlash	130	CSD-2UH	209
• Torsional stiffness	130	CSD-2UF	209
• Starting torque	131	SHG-2UF	227
• Backdriving torque	131	SHG-2UH	227
• Ratcheting torque	132	SHF-2UH-LW	227
• Buckling torque	132	SHF-2UH	227
• No-load running torque	132	SHG-2UH-LW	227
• Efficiency	134	SHF-2UJ	227
• Checking output bearing	136	SHG-2UJ	227
Design guide		SHF-2SO	227
• Output bearing and housing tolerances	137	SHG-2SO	227
• Assembly tolerances	137	SHF-2SH	227
• Installation and transmission torque	138	SHD-2SH	267
• Installation of a motor	140	SHD-2UH-LW	267
• Lubrication	142		
• Sealing	142		
• Rust prevention	142		
Application	143		

Features



CSG/CSF Gear Unit

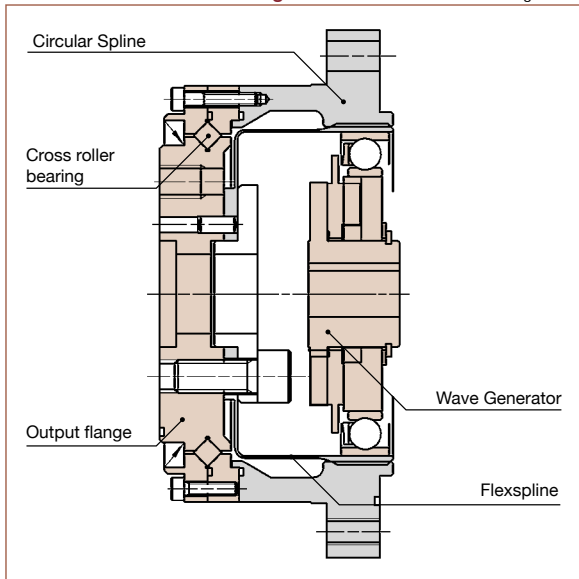
CSF/CSG are housed component gear sets combined with a precision cross roller output bearing & flange. A highly rigid cross roller bearing is built in to directly support (output bearing) the external load. They are a very compact, robust and easy to use gearhead solution. CSF and CSG are also available in lightweight versions.

Features

- Zero backlash
- Compact design
- High-torque capacity
- High stiffness
- High-positional and rotational accuracies

Structure of CSG/CSF series gear unit

Fig. 124-1



CSF v. CSG

CSG high torque

- 30% Higher torque than CSF series.
- The life has been improved by 43% (10,000 hours) compared to CSF.

CSF: standard torque

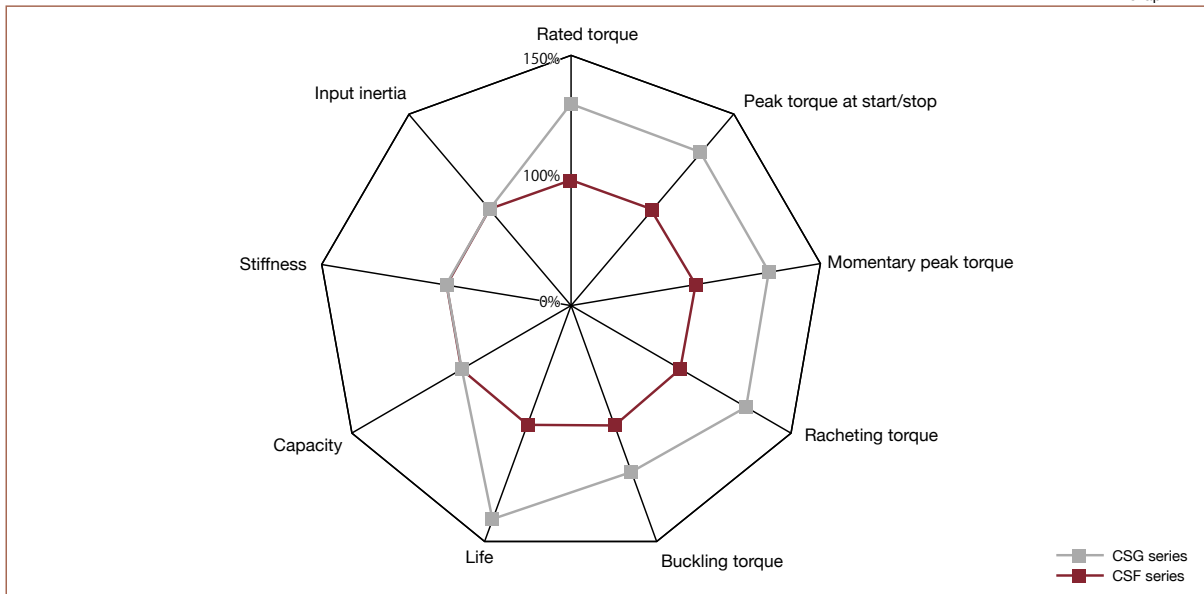
- Reduction ratio of 30:1 included for high-speed

CSF/CSG-LW series: Lightweight (sizes 14 to 45)

- 30% average lower weight than Standard Series.
- Same performance as CSF/CSG series.

Comparison between CSG series and CSF series

Graph 124-1



Ordering Code

CSG - 25 - 100 - 2UH - SP

Table 125-1

Series	Size	Ratio*1					Model	Special specification
CSG	14	50	80	100	—	—	2A= Component type 2UH= Unit type 2UJ = Unit type with input shaft ²	LW= Lightweight SP= Special specification code Blank=Standard product
	17	50	80	100	120	—		
	20	50	80	100	120	160		
	25	50	80	100	120	160		
	32	50	80	100	120	160		
	40	50	80	100	120	160		
	45	50	80	100	120	160		
	50	—	80	100	120	160		
	58	—	80	100	120	160		
65	—	80	100	120	160			

*1 The reduction ratio value is based on the following configuration:
Input: wave generator, fixed: circular spline, output: flexspline
*2 Contact us for details.

CSF - 25 - 100 - 2UH - SP

Table 125-2

Series	Size	Ratio*1					Model	Special specification	
CSF	14	30	50	80	100	—	2A= Component type 2UH= Unit type 2UJ = Unit type with input shaft ²	LW= Lightweight (sizes 14 to 45) SP= Special specification code Blank=Standard product	
	17	30	50	80	100	120			—
	20	30	50	80	100	120			160
	25	30	50	80	100	120			160
	32	30	50	80	100	120			160
	40	—	50	80	100	120			160
	45	—	50	80	100	120			160
	50	—	50	80	100	120			160
	58	—	50	80	100	120			160
65	—	50	80	100	120	160			

*1 The reduction ratio value is based on the following configuration:
Input: wave generator, fixed: circular spline, output: flexspline
*2 Contact us for details.

Sold & Serviced By:



Toll Free Phone (877) SERV098
www.electromate.com
sales@electromate.com

Technical Data

Rating table

CSG Series

Table 126-1

Size	Ratio	Rated Torque at 2000rpm		Limit for Repeated Peak Torque		Limit for Average Torque		Limit for Momentary Peak Torque		Maximum Input Speed (rpm)		Limit for Average Input Speed (rpm)		Moment of Inertia	
		Nm	kgfm	Nm	kgfm	Nm	kgfm	Nm	kgfm	Oil lubricant	Grease lubricant	Oil lubricant	Grease lubricant	I x10 ⁴ kgm ²	J x10 ⁴ kgfm ²
14	50	7.0	0.7	23	2.3	9	0.9	46	4.7	14000	8500	6500	3500	0.033	0.034
	80	10	1.0	30	3.1	14	1.4	58 ³	5.9 ³						
	100	10	1.0	36	3.7	14	1.4	58 ³	5.9 ³						
17	50	21	2.1	44	4.5	34	3.4	91	9	10000	7300	6500	3500	0.079	0.081
	80	29	2.9	56	5.7	35	3.6	109 ³	11 ³						
	100	31	3.2	70	7.2	51	5.2	109 ³	11 ³						
	120	31	3.2	70	7.2	51	5.2	109 ³	11 ³						
20	50	33	3.3	73	7.4	44	4.5	127	13	10000	6500	6500	3500	0.193	0.197
	80	44	4.5	96	9.8	61	6.2	165	17						
	100	52	5.3	107	10.9	64	6.5	191	20						
	120	52	5.3	113	11.5	64	6.5	191	20						
25	50	51	5.2	127	13	72	7.3	242	25	7500	5600	5600	3500	0.413	0.421
	80	82	8.4	178	18	113	12	332	34						
	100	87	8.9	204	21	140	14	369	38						
	120	87	8.9	217	22	140	14	395 ⁴	40 ⁴						
32	50	99	10	281	29	140	14	497	51	7000	4800	4600	3500	1.69	1.72
	80	153	16	395	40	217	22	738	75						
	100	178	18	433	44	281	29	841	86						
	120	178	18	459	47	281	29	892	91						
40	50	178	18	523	53	255	26	892	91	5600	4000	3600	3000	4.50	4.59
	80	268	27	675	69	369	38	1270	130						
	100	345	35	738	75	484	49	1400	143						
	120	382	39	802	82	586	60	1510 ⁴	154 ⁴						
45	50	229	23	650	66	345	35	1235	126	5000	3800	3300	3000	8.68	8.86
	80	407	41	918	94	507	52	1651	168						
	100	459	47	982	100	650	66	2041	208						
	120	523	53	1070	109	806	82	2288	233						
50	80	484	49	1223	125	675	69	2418	247	4500	3500	3000	2500	12.5	12.8
	100	611	62	1274	130	866	88	2678	273						
	120	688	70	1404	143	1057	108	2678	273						
	160	688	70	1534	156	1096	112	3185	325						
58	80	714	73	1924	196	1001	102	3185	325	4000	3000	2700	2200	27.3	27.9
	100	905	92	2067	211	1378	141	4134	422						
	120	969	99	2236	228	1547	158	4329	441						
65	160	969	99	2392	244	1573	160	4459	455	3500	2800	2400	1900	46.8	47.8
	80	969	99	2743	280	1352	138	4836	493						
	100	1236	126	2990	305	1976	202	6175	630						
	120	1236	126	3263	333	2041	208	6175	630						
	160	1236	126	3419	349	2041	208	6175	630						

(Note) 1. Moment of inertia: $I = \frac{1}{4}GD^2$

2. See "Engineering data" on Page 12 for details of the terms.

3. The value of permissible maximum momentary torque is limited by the transmission torque of the unit (See Table 138-1, 2 on Page 138.).

4. When using LW series, see the transmission torque of the unit (Table 138-3, 4 on Page 138.) for the permissible maximum momentary torque.

Sold & Serviced By:



Toll Free Phone (877) SERV098

www.electromate.com

sales@electromate.com

Rating table

■ CSF Series

Table 127-1

Size	Ratio	Rated Torque at 2000rpm		Limit for Repeated Peak Torque		Limit for Average Torque		Limit for Momentary Peak Torque		Maximum Input Speed (rpm)		Limit for Average Input Speed (rpm)		Moment of Inertia	
		Nm	kgfm	Nm	kgfm	Nm	kgfm	Nm	kgfm	Oil lubricant	Grease lubricant	Oil lubricant	Grease lubricant	I ×10 ⁻⁴ kgm ²	J ×10 ⁻⁴ kgfm ²
14	30	4.0	0.41	9.0	0.92	6.8	0.69	17	1.7	14000	8500	6500	3500	0.033	0.034
	50	5.4	0.55	18	1.8	6.9	0.70	35	3.6						
	80	7.8	0.80	23	2.4	11	1.1	47	4.8						
	100	7.8	0.80	28	2.9	11	1.1	54	5.5						
17	30	8.8	0.90	16	1.6	12	1.2	30	3.1	10000	7300	6500	3500	0.079	0.081
	50	16	1.6	34	3.5	26	2.6	70	7.1						
	80	22	2.2	43	4.4	27	2.7	87	8.9						
	100	24	2.4	54	5.5	39	4.0	108	11						
	120	24	2.4	54	5.5	39	4.0	86	8.8						
20	30	15	1.5	27	2.8	20	2.0	50	5.1	10000	6500	6500	3500	0.193	0.197
	50	25	2.5	56	5.7	34	3.5	98	10						
	80	34	3.5	74	7.5	47	4.8	127	13						
	100	40	4.1	82	8.4	49	5.0	147	15						
	120	40	4.1	87	8.9	49	5.0	147	15						
	160	40	4.1	92	9.4	49	5.0	147	15						
25	30	27	2.8	50	5.1	38	3.9	95	9.7	7500	5600	5600	3500	0.413	0.421
	50	39	4.0	98	10	55	5.6	186	19						
	80	63	6.4	137	14	87	8.9	255	26						
	100	67	6.8	157	16	108	11	284	29						
	120	67	6.8	167	17	108	11	304	31						
	160	67	6.8	176	18	108	11	314	32						
32	30	54	5.5	100	10	75	7.7	200	20	7000	4800	4600	3500	1.69	1.72
	50	76	7.8	216	22	108	11	382	39						
	80	118	12	304	31	167	17	568	58						
	100	137	14	333	34	216	22	647	66						
	120	137	14	353	36	216	22	686	70						
	160	137	14	372	38	216	22	686	70						
40	50	137	14	402	41	196	20	686	70	5600	4000	3600	3000	4.50	4.59
	80	206	21	519	53	284	29	980	100						
	100	265	27	568	58	372	38	1080	110						
	120	294	30	617	63	451	46	1180	120						
	160	294	30	647	66	451	46	1180	120						
	50	176	18	500	51	265	27	950	97						
45	80	313	32	706	72	390	40	1270	130	5000	3800	3300	3000	8.68	8.86
	100	353	36	755	77	500	51	1570	160						
	120	402	41	823	84	620	63	1760	180						
	160	402	41	882	90	630	64	1910	195						
	50	245	25	715	73	350	36	1430	146						
50	80	372	38	941	96	519	53	1860	190	4500	3500	3000	2500	12.5	12.8
	100	470	48	980	100	666	68	2060	210						
	120	529	54	1080	110	813	83	2060	210						
	160	529	54	1180	120	843	86	2450	250						
	50	176	18	1020	104	18	27	1960	200						
58	80	549	56	1480	151	770	79	2450	250	4000	3000	2700	2200	27.3	27.9
	100	696	71	1590	162	1060	108	3180	325						
	120	745	76	1720	176	1190	121	3330	340						
	160	745	76	1840	188	1210	123	3430	350						
	50	245	25	1420	145	360	27	2830	289						
65	80	745	76	2110	215	1040	106	3720	380	3500	2800	2400	1900	46.8	47.8
	100	951	97	2300	235	1520	155	4750	485						
	120	951	97	2510	256	1570	160	4750	485						
	160	951	97	2630	268	1570	160	4750	485						

(Note) 1. Moment of inertia: $I = \frac{1}{4}GD^2$
 2. See "Engineering data" on Page 12 for details of the terms.

Sold & Serviced By:



Toll Free Phone (877) SERV098

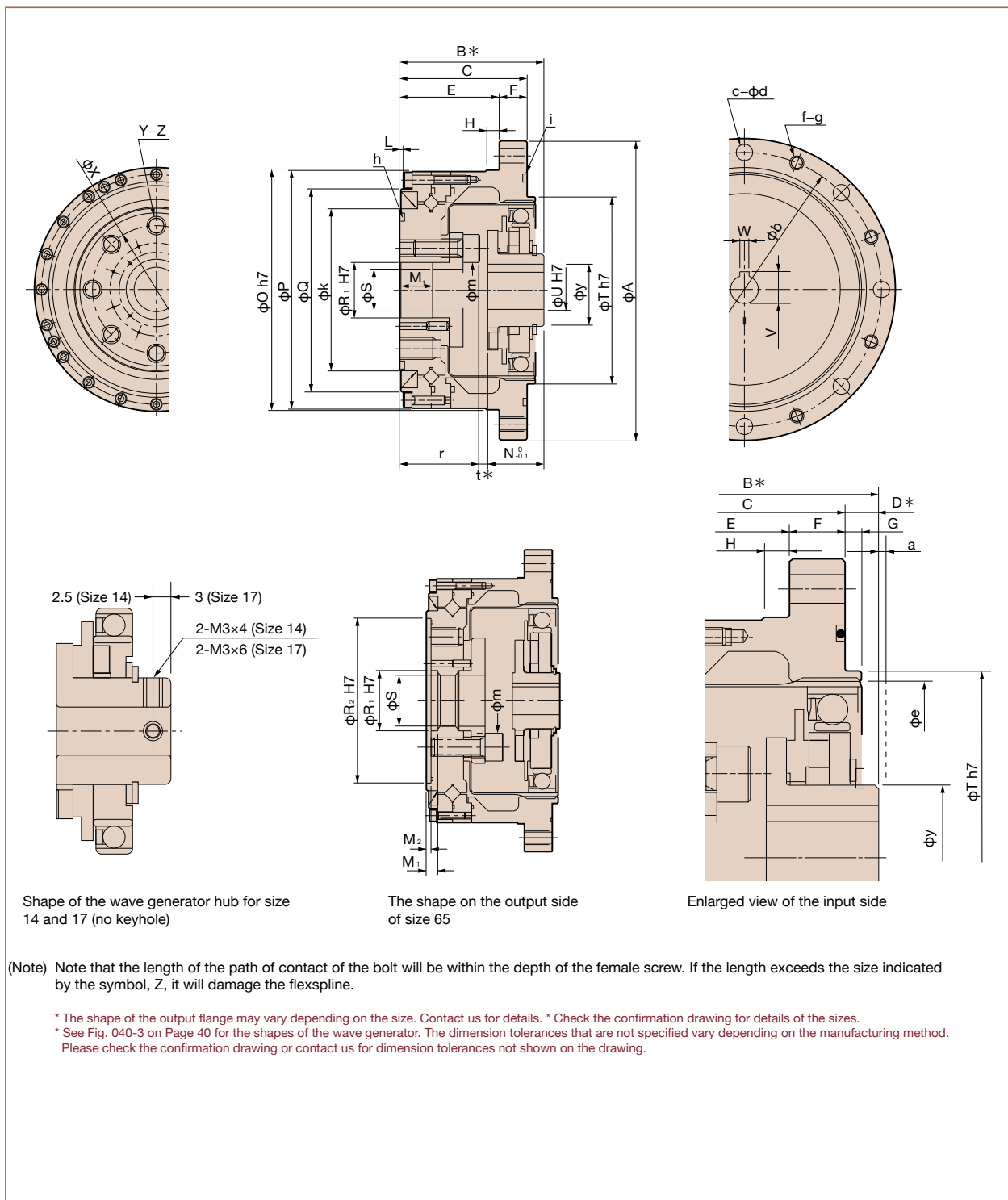
www.electromate.com

sales@electromate.com

Outline Dimensions

You can download the CAD files from our website: harmonicdrive.net

Fig. 128-1



Sold & Serviced By:

ELECTROMATE

Toll Free Phone (877) SERV098
www.electromate.com
sales@electromate.com

Dimensions

Table 129-1
Unit: mm

Symbol	Size	14	17	20	25	32	40	45	50	58	65
φA		73	79	93	107	138	160	180	190	226	260
B*		41 ⁰ _{-0.9}	45 ⁰ _{-0.9}	45.5 ⁰ _{-1.0}	52 ⁰ _{-1.0}	62 ⁰ _{-1.1}	72.5 ⁰ _{-1.1}	79.5 ⁰ _{-1.2}	90 ⁰ _{-1.3}	104.5 ⁰ _{-1.3}	115 ⁰ _{-1.3}
C		34	37	38	46	57	66.5	74	85	97	108.5
D*	CSG Series	7 ⁰ _{-0.4}	8 ⁰ _{-0.4}	7.5 ⁰ _{-0.4}	6 ⁰ _{-0.3}	5 ⁰ _{-0.6}	6 ⁰ _{-0.6}	5.5 ⁰ _{-0.6}	5 ⁰ _{-0.6}	7.5 ⁰ _{-0.6}	6.5 ⁰ _{-0.6}
	CSG-LW Series										
	CSF Series	7 ⁰ _{-0.8}	8 ⁰ _{-0.9}	7.5 ⁰ _{-1.0}	6 ⁰ _{-1.0}	5 ⁰ _{-1.1}	6 ⁰ _{-1.1}	5.5 ⁰ _{-1.2}	5 ⁰ _{-1.3}	7.5 ⁰ _{-1.3}	6.5 ⁰ _{-1.3}
	CSF-LW Series										
E		27	29	28	36	45	50.5	58	69	77	84.5
F		7	8	10	10	12	16	16	16	20	24
G		2	2	3	3	3	4	4	4	5	5
H	CSG Series	3.5	4	5	5	5	5	6	6	6	6
	CSG-LW Series	4	4	5	5	4.5	4.5	6	6	6	6
	CSF Series	3.5	4	5	5	5	5	6	6	6	6
	CSF-LW Series	4	4	5	5	4.5	4.5	6	6	6	6
L	CSG Series	0.5	0.5	0.5	0.5	1	1.5	1	1	1.5	1.5
	CSG-LW Series	1.1	1.1	1.1	1.1	1.2	1.6	1.6	1	1.5	1.5
	CSF Series	0.5	1.1	1.1	1.1	1.2	1.6	1.6	1	1.5	1.5
	CSF-LW Series	1.1	1.1	1.1	1.1	1.2	1.6	1.6	1	1.5	1.5
M1		9.4	9.5	9	2	15	5	6	8	10	10
M2		-	-	-	-	-	-	-	-	-	4
N ⁰ _{-0.1}	CSG Series	18.5	20.7	21.5	21.6	23.6	29.7	30.5	34.8	38.3	44.6
	CSG-LW Series										
	CSF Series	17.6	19.5	20.1	20.2	22	27.5	27.9	32	34.9	40.9
	CSF-LW Series										
φO h7		56	63	72	86	113	127	148	158	186	212
φP	CSG Series	56	62	70	85	112	123	147	157	185	210
	CSG-LW Series	54.6	61.6	69.6	85	110	124.5	143	155	183.4	208.4
	CSF Series	55	62	70	85	112	123	147	157	185	210
	CSF-LW Series	54.6	61.6	69.6	85	110	124.5	143	155	183.4	208.4
φQ	CSG Series	42.5	49.5	58	73	96	109	127	137	161	186
	CSG-LW Series	40.5	47.5	55.5	71	91.1	103	123	130	155	180
	CSF Series	42.5	49.5	58	73	96	109	127	137	161	186
	CSF-LW Series	40.5	47.5	55.5	71	91.1	103	123	130	155	180
φR1 H7		11	10	14	20	26	32	32	40	46	52
φR2 H7		-	-	-	-	-	-	-	-	-	142
φS		8	7	10	15	20	24	25	32	38	44
φT h7		38	48	56	67(68)	90	110	124	135	156	177
φU H7		6	8	12	14	14	14	19	19	22	24
V		-	-	13.8 ^{+0.1} ₀	16.3 ^{+0.1} ₀	16.3 ^{+0.1} ₀	16.3 ^{+0.1} ₀	21.8 ^{+0.1} ₀	21.8 ^{+0.1} ₀	24.8 ^{+0.1} ₀	27.3 ^{+0.2} ₀
W Js9		-	-	4	5	5	5	6	6	6	8
φX		23	27	32	42	55	68	82	84	100	110
Y		6	6	8	8	8	8	8	8	8	8
Z		M4×8	M5×10	M6×9	M8×12	M10×15	M10×15	M12×18	M14×21	M16×24	M16×24
a		1	1	1.5	1.5	1.5	2	2	2	2.5	2.5
φb		65	71	82	96	125	144	164	174	206	236
c	CSG Series	8	8	8	10	12	10	12	14	12	8
	CSG-LW Series	6	8	8	10	12	10	16	18	16	12
	CSF Series	6	6	6	8	12	8	12	12	12	8
	CSF-LW Series	6	8	8	10	12	10	16	18	16	12
φd		4.5	4.5	5.5	5.5	6.6	9	9	9	11	14
φe		38	45	53	66	86	106	119	133	154	172
f	CSG Series	8	8	8	10	12	10	12	14	12	8
	CSG-LW Series	6	8	8	10	12	10	16	18	16	12
	CSF Series	6	6	6	8	12	8	12	12	12	8
	CSF-LW Series	6	8	8	10	12	10	16	18	16	12
g		M4	M4	M5	M5	M6	M8	M8	M8	M10	M12
h		29.0×0.50	34.5×0.80	40.64×1.14	53.28×0.99	S71	AS568-042	S100	S105	S125	S135
i		S50	S56	S67	S80	S105	S125	S145	S155	S180	S205
φk		31	38	45	58	78	90	107	112	135	155
φm		10	10.5	15.5	20	27	34	36	39	46	56
r		21.4	23.5	23	29	37	39.5	45.5	53	62.8	66.5
t*	CSG Series	1.1	0.8	1	1.4	1.4	3.3	3.5	2.2	3.4	3.9
	CSG-LW Series										
	CSF Series	2	2	2.4	2.8	3	5.5	6.1	5	6.8	7.6
	CSF-LW Series										
φy		14	18	21	26	26	32	32	32	40	48
Mass (kg)	CSG Series	0.52	0.68	0.98	1.5	3.2	5.0	7.0	8.9	14.6	20.9
	CSG-LW Series	0.32	0.46	0.64	1.1	2.2	3.5	5.1	7	11.3	16.2
	CSF Series	0.52	0.68	0.98	1.5	3.2	5.0	7.0	8.9	14.6	20.9
	CSF-LW Series	0.32	0.46	0.64	1.1	2.2	3.5	5.1	7	11.3	16.2

(note1) the dimension in parenthesis is for reduction ratio 30.

● *The B, D, and t values indicate relative position of individual gearing components (wave generator, flexspline, circular spline). Please strictly adhere to these values when designing your housing and mating parts.

● Wave generator is removed when the product is delivered.

● CSF & CSG-LW available in sizes 14 to 45.

Positioning accuracy

See "Engineering data" for a description of terms.

Table 130-1
Unit: $\times 10^{-4}$ rad (arc·min)

Ratio	Specification	Size					
		14	17	20	25	32	40 to 65
30	Standard product	5.8	4.4	4.4	4.4	4.4	—
		(2)	(1.5)	(1.5)	(1.5)	(1.5)	—
	Special product	—	—	2.9	2.9	2.9	—
50 or more	Standard product	4.4	4.4	2.9	2.9	2.9	2.9
		(1.5)	(1.5)	(1)	(1)	(1)	(1)
	Special product	2.9	2.9	1.5	1.5	1.5	1.5
		(1)	(1)	(0.5)	(0.5)	(0.5)	(0.5)

Hysteresis loss

See "Engineering data" for a description of terms.

Table 130-2

Ratio	Size	Size					40 or more
		14	17	20	25	32	
30	$\times 10^{-4}$ rad	8.7	8.7	8.7	8.7	8.7	—
	arc min	3.0	3.0	3.0	3.0	3.0	—
50	$\times 10^{-4}$ rad	5.8	5.8	5.8	5.8	5.8	5.8
	arc min	2.0	2.0	2.0	2.0	2.0	2.0
80 or more	$\times 10^{-4}$ rad	2.9	2.9	2.9	2.9	2.9	2.9
	arc min	1.0	1.0	1.0	1.0	1.0	1.0

Max. backlash quantity

See "Engineering data" for a description of terms.

Table 130-3

Ratio	Size	Size									
		14	17	20	25	32	40	45	50	58	65
30	$\times 10^{-4}$ rad	29.1	16.0	13.6	13.6	11.2	—	—	—	—	—
	arc sec	60	33	28	28	23	—	—	—	—	—
50	$\times 10^{-4}$ rad	17.5	9.7	8.2	8.2	6.8	6.8	5.8	5.8	4.8	4.8
	arc sec	36	20	17	17	14	14	12	12	10	10
80	$\times 10^{-4}$ rad	11.2	6.3	5.3	5.3	4.4	4.4	3.9	3.9	2.9	2.9
	arc sec	23	13	11	11	9	9	8	8	6	6
100	$\times 10^{-4}$ rad	8.7	4.8	4.4	4.4	3.4	3.4	2.9	2.9	2.4	2.4
	arc sec	18	10	9	9	7	7	6	6	5	5
120	$\times 10^{-4}$ rad	—	3.9	3.9	3.9	2.9	2.9	2.4	2.4	1.9	1.9
	arc sec	—	8	8	8	6	6	5	5	4	4
160	$\times 10^{-4}$ rad	—	—	2.9	2.9	2.4	2.4	1.9	1.9	1.5	1.5
	arc sec	—	—	6	6	5	5	4	4	3	3

Torsional Stiffness

See "Engineering data" for a description of terms.

Table 130-4

Symbol	Size	Size											
		14	17	20	25	32	40	45	50	58	65		
T_1	Nm	2.0	3.9	7.0	14	29	54	76	108	168	235		
	kgfm	0.20	0.40	0.70	1.4	3.0	5.5	7.8	11	17	24		
T_2	Nm	6.9	12	25	48	108	196	275	382	598	843		
	kgfm	0.7	1.2	2.5	4.9	11	20	28	39	61	86		
Reduction ratio 30	K_1	$\times 10^4$ Nm/rad	0.19	0.34	0.57	1.0	2.4	—	—	—	—		
		kgfm/arc min	0.056	0.10	0.17	0.30	0.70	—	—	—	—		
	K_2	$\times 10^4$ Nm/rad	0.24	0.44	0.71	1.3	3.0	—	—	—	—		
		kgfm/arc min	0.07	0.13	0.21	0.40	0.89	—	—	—	—		
	K_3	$\times 10^4$ Nm/rad	0.34	0.67	1.1	2.1	4.9	—	—	—	—		
		kgfm/arc min	0.10	0.20	0.32	0.62	1.5	—	—	—	—		
	θ	$\times 10^{-4}$ rad	10.5	11.5	12.3	14	12.1	—	—	—	—		
		arc min	3.6	4.0	4.1	4.7	4.3	—	—	—	—		
	θ	$\times 10^{-4}$ rad	31	30	38	40	38	—	—	—	—		
		arc min	10.7	10.2	12.7	13.4	13.3	—	—	—	—		
	Reduction ratio 50	K_1	$\times 10^4$ Nm/rad	0.34	0.81	1.3	2.5	5.4	10	15	20	31	44
			kgfm/arc min	0.1	0.24	0.38	0.74	1.6	3.0	4.3	5.9	9.3	13
K_2		$\times 10^4$ Nm/rad	0.47	1.1	1.8	3.4	7.8	14	20	28	44	61	
		kgfm/arc min	0.14	0.32	0.52	1.0	2.3	4.2	6.0	8.2	13	18	
K_3		$\times 10^4$ Nm/rad	0.57	1.3	2.3	4.4	9.8	18	26	34	54	78	
		kgfm/arc min	0.17	0.4	0.67	1.3	2.9	5.3	7.6	10	16	23	
θ		$\times 10^{-4}$ rad	5.8	4.9	5.2	5.5	5.5	5.2	5.2	5.5	5.2	5.2	
		arc min	2.0	1.7	1.8	1.9	1.9	1.8	1.8	1.9	1.8	1.8	
θ		$\times 10^{-4}$ rad	16	12	15.4	15.7	15.7	15.4	15.1	15.4	15.1	15.1	
		arc min	5.6	4.2	5.3	5.4	5.4	5.3	5.2	5.3	5.2	5.2	

* The values in this table are reference values. The minimum value is approximately 80% of the displayed value.

Table 131-1

Symbol		Size	14	17	20	25	32	40	45	50	58	65
T ₁	Nm		2.0	3.9	7.0	14	29	54	76	108	168	235
	kgfm		0.20	0.40	0.70	1.4	3.0	5.5	7.8	11	17	24
T ₂	Nm		6.9	12	25	48	108	196	275	382	598	843
	kgfm		0.7	1.2	2.5	4.9	11	20	28	39	61	86
Reduction ratio 80 or more	K _i	×10 ⁴ Nm/rad	0.47	1	1.6	3.1	6.7	13	18	25	40	54
		kgfm/arc min	0.14	0.3	0.47	0.92	2.0	3.8	5.4	7.4	12	16
	K _e	×10 ⁴ Nm/rad	0.61	1.4	2.5	5.0	11	20	29	40	61	88
		kgfm/arc min	0.18	0.4	0.75	1.5	3.2	6.0	8.5	12	18	26
	K _s	×10 ⁴ Nm/rad	0.71	1.6	2.9	5.7	12	23	33	44	71	98
		kgfm/arc min	0.21	0.46	0.85	1.7	3.7	6.8	9.7	13	21	29
	θ	×10 ⁻³ rad	4.1	3.9	4.4	4.4	4.4	4.1	4.1	4.4	4.1	4.4
		arc min	1.4	1.3	1.5	1.5	1.5	1.4	1.4	1.5	1.4	1.5
	θ	×10 ⁻³ rad	12	9.7	11.3	11.1	11.6	11.1	11.1	11.1	11.1	11.3
		arc min	4.2	3.3	3.9	3.8	4.0	3.8	3.8	3.8	3.8	3.9

* The values in this table are reference values. The minimum value is approximately 80% of the displayed value.

Starting torque

See "Engineering data" for a description of terms. As the values in the table below vary depending on the use conditions, use them as reference values.

Table 131-2
Unit: Ncm

CSG Series

Ratio	Size	14	17	20	25	32	40	45	50	58	65
50		4.5	6.7	8.6	17	34	61	85	—	—	—
80		3.1	4.4	5.4	10	21	39	54	73	108	154
100		2.8	3.7	4.7	8.8	20	34	47	64	97	132
120		—	3.4	4.2	8.0	17	31	43	57	88	121
160		—	—	3.6	6.9	15	26	36	50	75	102

CSF Series

Table 131-3
Unit: Ncm

Ratio	Size	14	17	20	25	32	40	45	50	58	65
30		6.4	9.3	15	25	54	—	—	—	—	—
50		4.1	6.1	7.8	15	31	55	77	110	160	220
80		2.8	4	4.9	9.2	19	35	49	66	98	140
100		2.5	3.4	4.3	8	18	31	43	58	88	120
120		—	3.1	3.8	7.3	15	28	39	52	80	110
160		—	—	3.3	6.3	14	24	33	45	68	93

Backdriving torque

See "Engineering data" for a description of terms. As the values in the table below vary depending on the use conditions, use them as reference values.

Table 131-4
Unit: Nm

CSG Series

Ratio	Size	14	17	20	25	32	40	45	50	58	65
50		1.8	3.3	5.2	9.9	20	36	52	—	—	—
80		1.8	3.3	5.3	10	21	36	53	69	106	154
100		2	3.6	5.6	11	22	40	56	75	121	165
120		—	3.9	6.1	12	24	43	61	80	121	176
160		—	—	7	14	29	51	70	94	143	198

CSF Series

Table 131-5
Unit: Nm

Ratio	Size	14	17	20	25	32	40	45	50	58	65
30		2.4	3.8	6.2	11	23	—	—	—	—	—
50		1.6	3	4.7	9	18	33	47	62	95	130
80		1.6	3	4.8	9.1	19	33	48	63	96	140
100		1.8	3.3	5.1	9.8	20	36	51	68	110	150
120		—	3.5	5.5	11	22	39	55	73	110	160
160		—	—	6.4	13	26	46	64	85	130	180

Sold & Serviced By:



Toll Free Phone (877) SERV098

www.electromate.com

sales@electromate.com

Ratcheting torque

See "Engineering data" for a description of terms.

Table 132-1
Unit: Nm

CSG Series

Ratio \ Size	14	17	20	25	32	40	45	50	58	65
50	110	190	280	580	1200	2300	3500	—	—	—
80	140	260	450	880	1800	3600	5000	7000	10000	14000
100	100	200	330	650	1300	2700	4000	5300	8300	12000
120	—	150	310	610	1200	2400	3600	4900	7500	10000
160	—	—	280	580	1200	2300	3300	4600	7200	10000

Table 132-2
Unit: Nm

CSF Series

Ratio \ Size	14	17	20	25	32	40	45	50	58	65
30	59	100	170	340	720	—	—	—	—	—
50	88	150	220	450	980	1800	2700	3700	5800	7800
80	110	200	350	680	1400	2800	3900	5400	8200	11000
100	84	160	260	500	1000	2100	3100	4100	6400	9400
120	—	120	240	470	980	1900	2800	3800	5800	8300
160	—	—	220	450	980	1800	2600	3600	5600	8000

Buckling torque

See "Engineering data" for a description of terms.

Table 132-3
Unit: Nm

CSG Series

Size	14	17	20	25	32	40	45	50	58	65
All ratios	260	500	800	1700	3500	6700	8900	12200	19000	26600

Table 132-4
Unit: Nm

CSF Series

Size	14	17	20	25	32	40	45	50	58	65
All ratios	190	330	560	1000	2200	4300	5800	8000	12000	17000

No-load running torque

No load running torque indicates the torque which is needed to rotate input of the gear, "Wave Generator", with no load on the output side (low speed side).

Measurement condition

Table 132-5

Lubricant		Ratio	
		Grease lubrication	Quantity
		Name	Harmonic Grease SK-1A
		Quantity	Harmonic Grease SK-2
		Recommended quantity	
Torque value is measured after 2 hours at 2000rpm input.			

* Contact us for oil lubrication.

Compensation Value in Each Ratio

No-load running torque of the gear varies with ratio. The graphs indicate a value for ratio 100. For other gear ratios, add the compensation values from table on the right.

Compensation value for no-load running torque

Table 132-6
Unit: Ncm

Size \ Ratio	30	50	80	120	160
14	2.5	1.1	0.2	—	—
17	3.8	1.6	0.3	-0.2	—
20	5.4	2.3	0.5	-0.3	-0.8
25	8.8	3.8	0.7	-0.5	-1.2
32	16	7.1	1.3	-0.9	-2.2
40	—	12	2.1	-1.5	-3.5
45	—	16	2.9	-2.1	-4.9
50	—	21	3.7	-2.6	-6.2
58	—	30	5.3	-3.8	-8.9
65	—	41	7.2	-5.1	-12

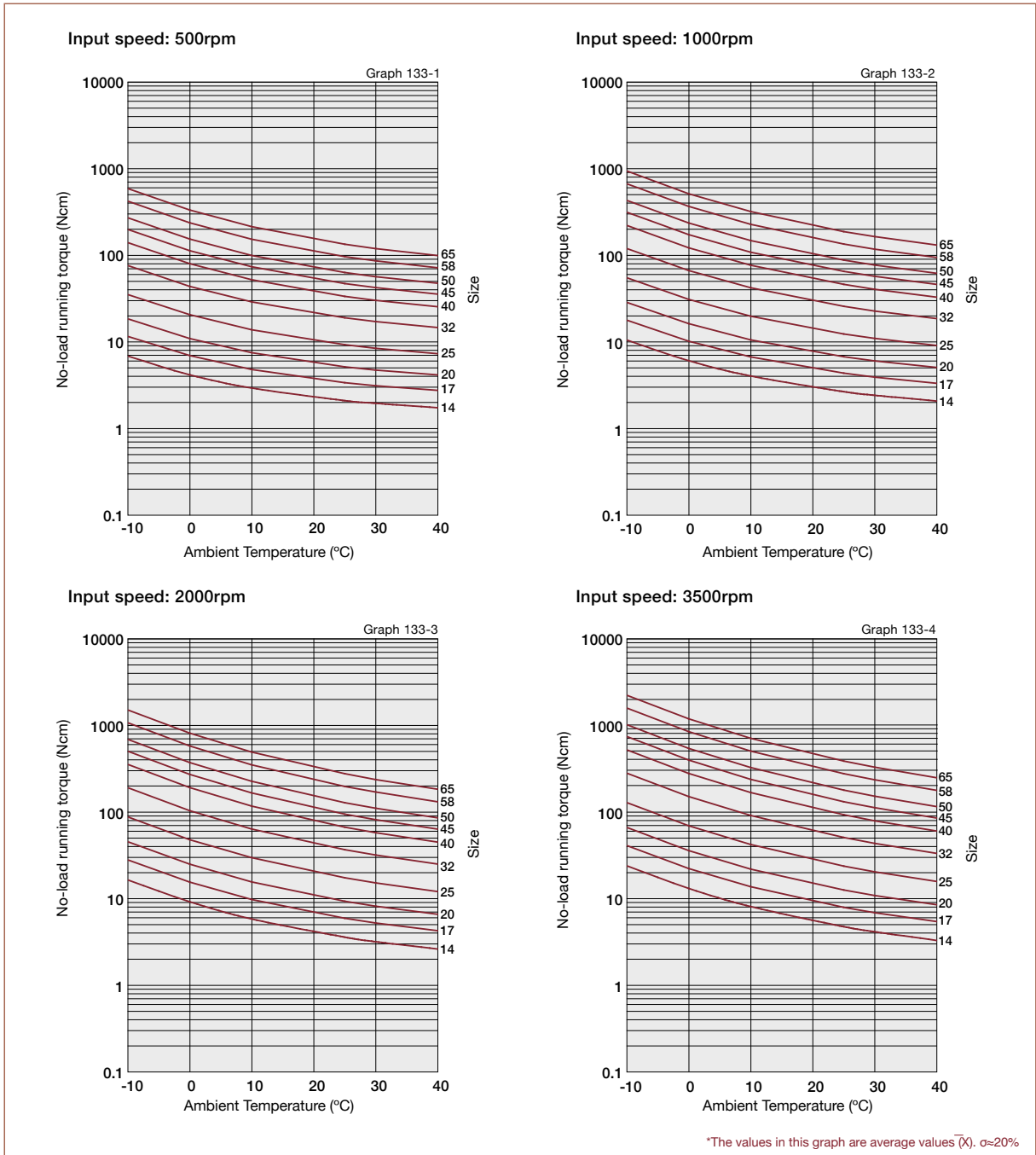
Sold & Serviced By:



Toll Free Phone (877) SERV098

www.electromate.com
sales@electromate.com

■ No-load running torque for a reduction ratio of 100:1



Sold & Serviced By:

 Toll Free Phone (877) SERV098
www.electromate.com
sales@electromate.com

Efficiency

The efficiency varies depending on the following conditions.

- Reduction ratio
- Input rotational speed
- Load torque
- Temperature
- Lubrication (Type and quantity)

Efficiency compensation coefficient

If the load torque is lower than the rated torque, the efficiency will be lower. Calculate the compensation coefficient K_e from Graph 134-1 to calculate the efficiency using the following example.

Calculation Example

Efficiency η (%) under the following condition is calculated from the example of CSF-20-80-2A-GR.

Input rotational speed: 1000 rpm

Load torque: 19.6 Nm

Lubrication: Grease lubrication (Harmonic Grease SK-1A)

Lubricant temperature: 20°C

Since the rated torque of size 20 with a reduction ratio of 80 is 34 Nm (Ratings: Page 127), the torque ratio α is 0.58. ($\alpha = 19.6/34 = 0.58$)

- The efficiency compensation coefficient is $K_e = 0.93$ from Graph 134-1.
- Efficiency η at load torque 19.6 Nm: $\eta = K_e \cdot \eta_R = 0.93 \times 78 = 73\%$

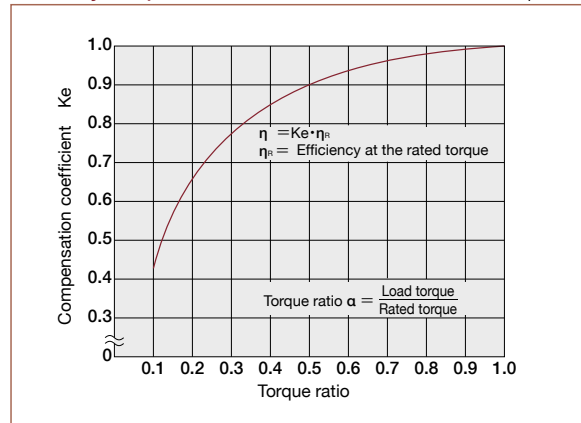
Measurement condition

Table 134-1

Installation	Based on recommended tolerance.		
Load torque	The rated torque shown in the rating table (see page 126 and 127)		
Lubricant	Grease lubrication	Name	Harmonic Grease SK-1A
		Quantity	Recommended quantity

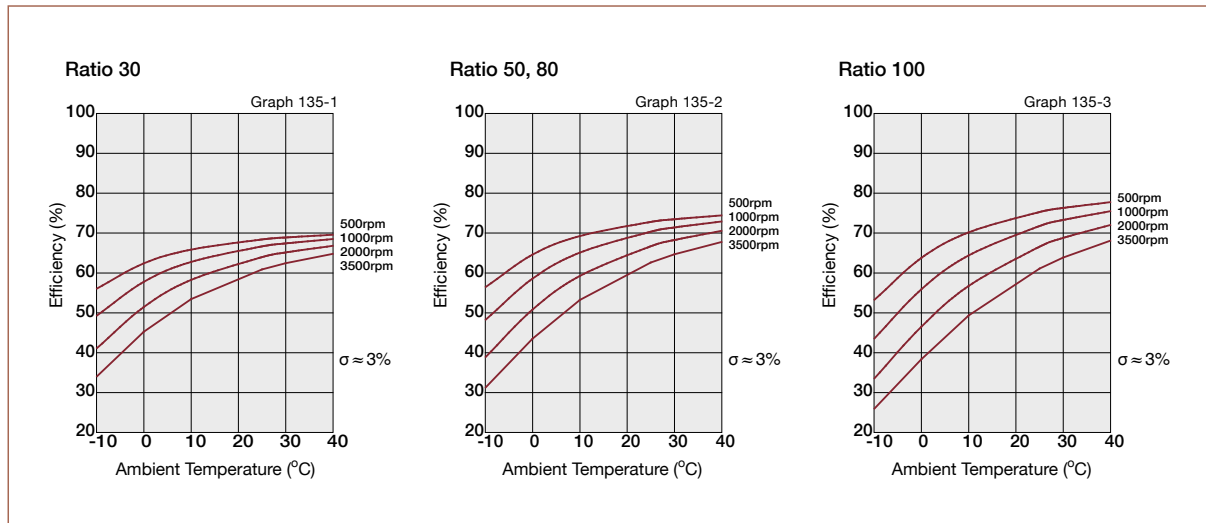
Efficiency compensation coefficient

Graph 134-1

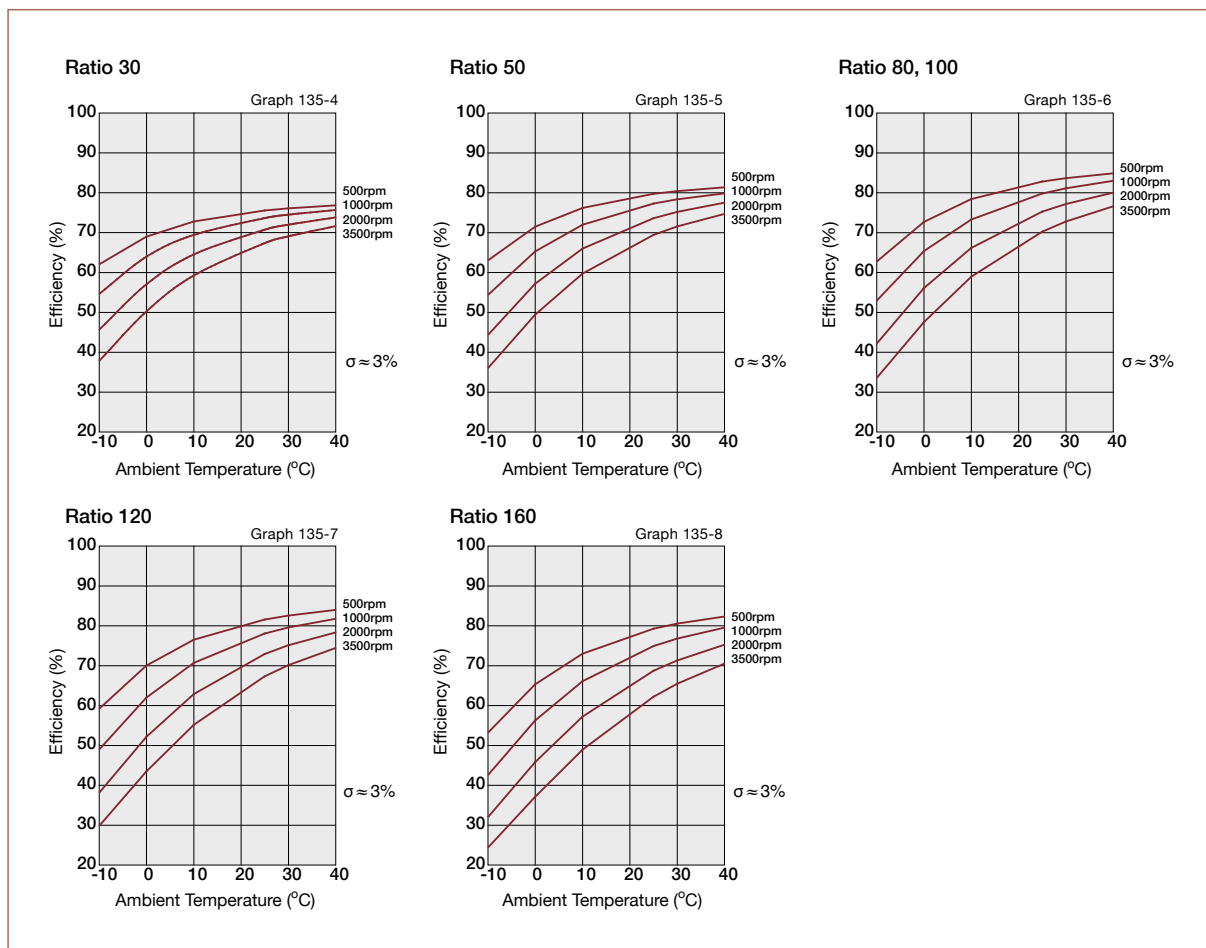


* Efficiency compensation coefficient $K_e = 1$ holds when the load torque is greater than the rated torque.

Efficiency at rated torque (Size 14)



Efficiency at rated torque (Sizes 17 to 65)



Sold & Serviced By:



Toll Free Phone (877) SERV098

www.electromate.com

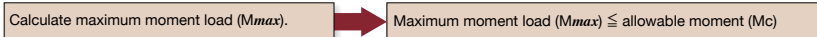
sales@electromate.com

Checking Output Bearing

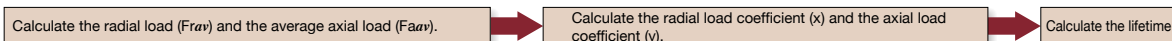
A precision cross roller bearing is built in the unit type to directly support the external load (output flange).
Check the maximum moment load, life of the bearing and static safety coefficient to fully bring out the performance of the unit type.
See Pages 30 to 34 of "Engineering data" for each calculation formula.

■ Checking procedure

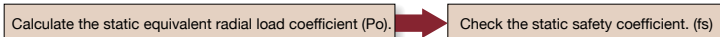
(1) Checking the maximum moment load (M_{max})



(2) Checking the life



(3) Checking the static safety coefficient



■ Output bearing specifications

The specifications of the cross roller are shown in Table 136-1.

Specifications CSG Series/CSF Series

Table 136-1

Size	Pitch circle dia. of a roller	Offset R	Basic rated load				Allowable moment load Mc		Moment stiffness	
	dp		Basic dynamic rated load C		Basic static rated load Co		Nm	kgfm	×10 ⁴ Nm/rad	kgfm/arc min
	m	×10 ³ N	kgf	×10 ³ N	kgf					
14	0.035	0.0095	47	480	60.7	620	41	4.2	4.38	1.3
17	0.0425	0.0095	52.9	540	75.5	770	64	6.5	7.75	2.3
20	0.050	0.0095	57.8	590	90.0	920	91	9.3	12.8	3.8
25	0.062	0.0115	96.0	980	151	1540	156	16	24.2	7.2
32	0.080	0.013	150	1530	250	2550	313	32	53.9	16
40	0.096	0.0145	213	2170	365	3720	450	46	91.0	27
45	0.111	0.0155	230	2350	426	4340	686	70	141	42
50	0.119	0.018	348	3550	602	6140	759	77	171	51
58	0.141	0.0205	518	5290	904	9230	1180	120	283	84
65	0.160	0.0225	556	5670	1030	10500	1860	190	404	120

Specifications CSG-LW/CSF-LW Series

Table 136-2

Size	Pitch circle dia. of a roller	Offset R	Basic rated load				Allowable moment load Mc		Moment stiffness	
	dp		Basic dynamic rated load C		Basic static rated load Co		Nm	kgfm	×10 ⁴ Nm/rad	kgfm/arc min
	m	×10 ³ N	kgf	×10 ³ N	kgf					
14	0.035	0.0093	47	480	60.7	620	33.6	3.4	3.6	1.1
17	0.043	0.0091	52.9	540	75.5	770	52.5	5.3	6.4	1.9
20	0.050	0.0098	57.8	590	90	920	74.6	7.6	10.5	3.1
25	0.064	0.0118	96	980	151	1540	127.9	13.1	19.8	5.9
32	0.083	0.0133	150	1530	250	2550	256.7	26.2	44.2	13.1
40	0.096	0.0148	213	2170	365	3720	369	37.7	74.6	22.1
45	0.111	0.0158	230	2350	426	4340	562.5	57.4	115.6	34.4
50	0.119	0.0180	348	3550	602	6140	622	63.5	140	48.5
58	0.141	0.0205	518	5290	904	9230	838	85.4	201	59.6
65	0.160	0.0185	556	5670	1030	10500	1525	156	331	108

* The basic dynamic rated load is the static radial load needed to result in a basic dynamic rated life of one million rotations.
 * The basic static rated load is the static load that produces a contact stress of 4 kN/mm² in the center of the contact area between the rolling element receiving the maximum load.
 * The moment stiffness value is an average.
 * Allowable moment load is the maximum moment load that may be applied to the output shaft. Please adhere to these values for optimum performance. Moment stiffness is a reference value. The minimum value is approximately 80% of the displayed value.
 * Allowable axial or radial load is the value that satisfies the reducer life when either a radial load or an axial load is applied to the main shaft. (When radial load is $L_r+R=0\text{mm}$, and axial load is $L_a=0\text{mm}$)

Design Guide

Output Bearing and Housing Tolerances

Fig. 137-1

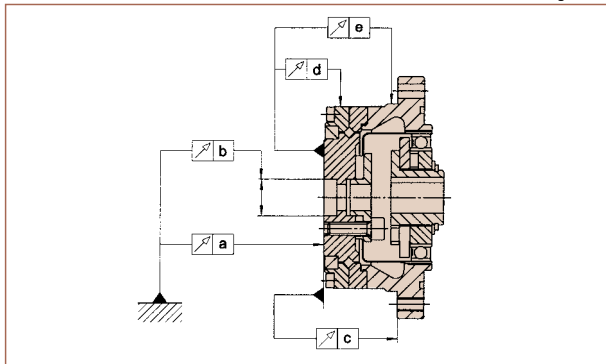


Table 137-1
Unit: mm

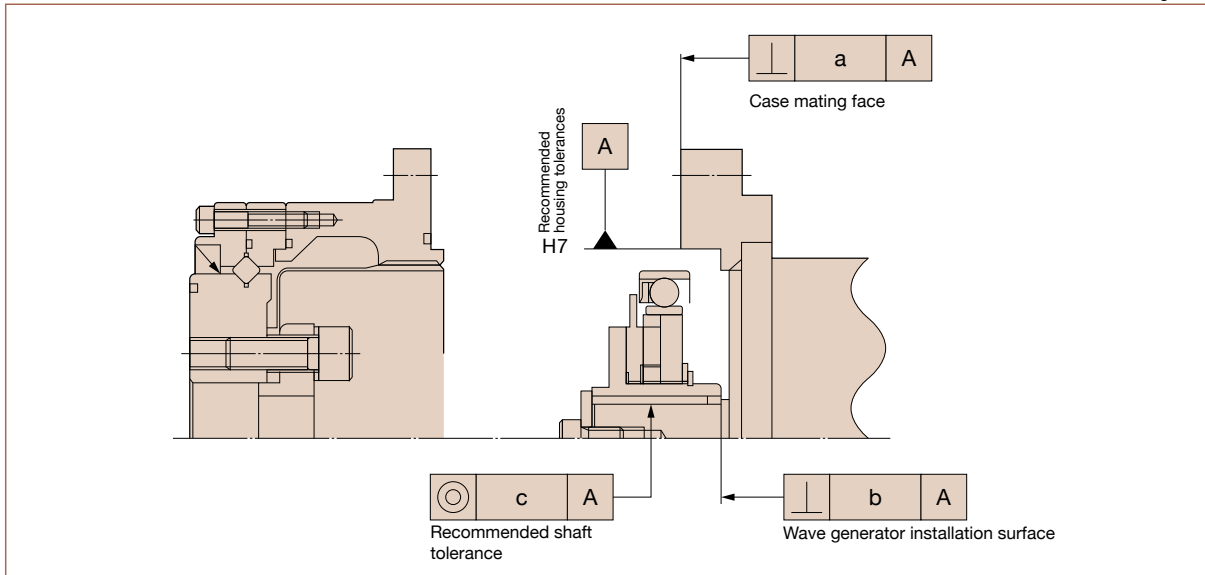
Symbol	Size	14	17	20	25	32	40	45	50	58	65
a		0.010	0.010	0.010	0.015	0.015	0.015	0.018	0.018	0.018	0.018
b		0.010	0.012	0.012	0.013	0.013	0.015	0.015	0.015	0.017	0.017
c		0.024	0.026	0.038	0.045	0.056	0.060	0.068	0.069	0.076	0.085
d		0.010	0.010	0.010	0.010	0.010	0.015	0.015	0.015	0.015	0.015
e		0.038	0.038	0.047	0.049	0.054	0.060	0.065	0.067	0.070	0.075

Installation Accuracy

For peak performance of your gear, maintain the recommended tolerances shown in Figure 137-1 and Table 137-1.

Recommended tolerances for assembly

Fig. 137-2



Recommended Tolerances for Assembly

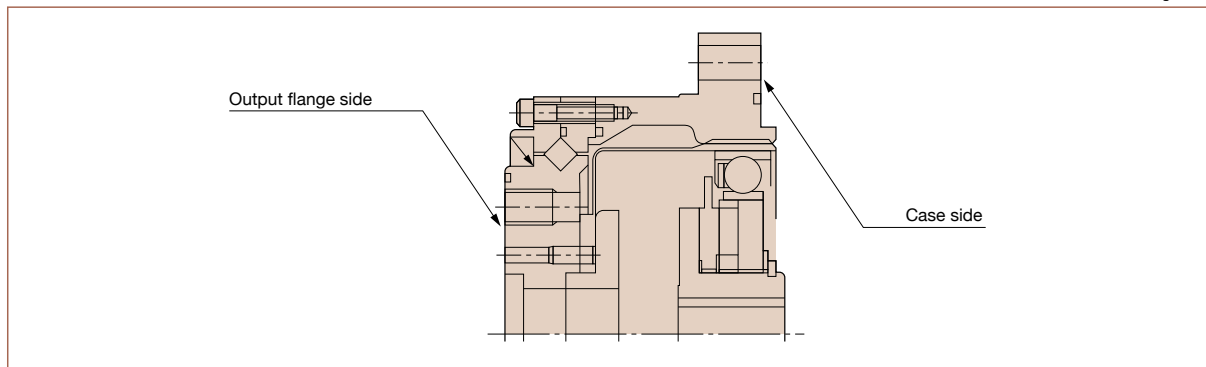
Table 137-2
Unit: mm

Symbol	Size	14	17	20	25	32	40	45	50	58	65
a		0.011	0.015	0.017	0.024	0.026	0.026	0.027	0.028	0.031	0.034
b		0.017	0.020	0.020	0.024	0.024	0.032	0.032	0.032	0.032	0.032
		(0.008)	(0.010)	(0.010)	(0.012)	(0.012)	(0.012)	(0.013)	(0.015)	(0.015)	(0.015)
c		0.030	0.034	0.044	0.047	0.050	0.063	0.065	0.066	0.068	0.070
		(0.016)	(0.018)	(0.019)	(0.022)	(0.022)	(0.024)	(0.027)	(0.030)	(0.033)	(0.035)

* The value in the parentheses indicates that input (wave generator) is a solid wave generator.

Installation and transmission torque

Fig. 138-1



CSG series: Installation of output flange side and transmission torque

Table 138-1

Item		Size	14	17	20	25	32	40	45	50	58	65
Number of bolts			6	6	8	8	8	8	8	8	8	8
Bolt size			M4	M5	M6	M8	M10	M10	M12	M14	M16	M16
Pitch circle	mm		23	27	32	42	55	68	82	84	100	110
Clamp torque	Nm		5.4	10.8	18.4	45	89	89	154	246	383	383
Torque transmission capacity (bolt only)	Nm		58	109	245	580	1220	1510	2624	3690	5981	6579

CSG series: Installation of case side and transmission torque

Table 138-2

Item		Size	14	17	20	25	32	40	45	50	58	65
Number of bolts			8	8	8	10	12	10	12	14	12	8
Bolt size			M4	M4	M5	M5	M6	M8	M8	M8	M10	M12
Pitch circle	mm		65	71	82	96	125	144	164	174	206	236
Clamp torque	Nm		4.5	4.5	9.0	9.0	15.3	37	37	37	74	128
Torque transmission capacity (bolt only)	Nm		182	196	365	538	1200	2100	2844	3251	5717	6293

(Table 138-1, 138-2/Notes)

1. The material of the thread must withstand the clamp torque.
2. Recommended bolt: JIS B 1176 socket head cap screw / Strength range: JIS B 1051 over 12.9.
3. Torque coefficient: $K=0.2$
4. Clamp coefficient: $A=1.4$
5. Tightening friction coefficient $\mu=0.15$

CSG-LW series (Light Weight): Bolt connection to output flange and resulting transmission torque

Table 138-3

Item		Size	14	17	20	25	32	40	45	50	58	65
Number of bolts			6	6	8	8	8	8	8	8	8	8
Bolt size			M4	M5	M6	M8	M10	M10	M12	M14	M16	M16
Pitch circle	mm		23	27	32	42	55	68	82	84	100	110
Clamp torque	Nm		5.4	10.8	18.4	45	89	89	154	246	383	383
Torque transmission capacity (bolt only)	Nm		58	109	245	580	1220	1510	2624	3690	5981	6579

CSG-LW series (Light Weight): Bolt connection to case side and resulting transmission torque

Table 138-4

Item		Size	14	17	20	25	32	40	45	50	58	65
Number of bolts			6	8	8	10	12	10	16	18	16	12
Bolt size			M4	M4	M5	M5	M6	M8	M8	M8	M10	M12
Pitch circle	mm		65	71	82	96	125	144	164	174	206	236
Clamp torque	Nm		3.2	3.2	6.4	6.4	10.8	26.5	26.5	26.5	51.9	90
Torque transmission capacity (bolt only)	Nm		98	143	261	382	842	1488	2712	3237	5350	6649

(Table 138-3, 138-4/Notes)

1. The material of the thread must withstand the clamp torque.
2. Recommended bolt: JIS B 1176 socket head cap screw / Strength range: JIS B 1051 over 12.9.
3. Torque coefficient: $K=0.2$
4. Clamp coefficient: $A=1.4$
5. Tightening friction coefficient $\mu=0.15$
6. Since the material of the flange on the case side of CSG-LW is AL (aluminum), be sure to set the bolt tightening torque to the value in Table 138-4. If the tightening torque exceeds the value listed in Table 138-4, the correct transmission torque may not be obtained and looseness may be caused.

CSF series: Bolt connection to output flange and resulting transmission torque

Table 139-1

Item \ Size		14	17	20	25	32	40	45	50	58	65
Number of bolts		6	6	8	8	8	8	8	8	8	8
Bolt size		M4	M5	M6	M8	M10	M10	M12	M14	M16	M16
Pitch circle	mm	23	27	32	42	55	68	82	84	100	110
Clamp torque		Nm	4.5	9	15.3	37	74	74	128	205	319
Torque transmission capacity (bolt only)		Nm	49	91	204	486	1108	1258	2200	3070	4980

CSF series: Bolt connection to case side and resulting transmission torque

Table 139-2

Item \ Size		14	17	20	25	32	40	45	50	58	65
Number of bolts		6	6	6	8	12	8	12	12	12	8
Bolt size		M4	M4	M5	M5	M6	M8	M8	M8	M10	M12
Pitch circle	mm	65	71	82	96	125	144	164	174	206	236
Clamp torque		Nm	4.5	4.5	9.0	9.0	15.3	37	37	74	128
Torque transmission capacity (bolt only)		Nm	137	147	274	431	1200	1680	2860	3040	5670

(Table 139-1, 139-2/Notes)

1. The material of the thread must withstand the clamp torque.
2. Recommended bolt: JIS B 1176 socket head cap screw / Strength range: JIS B 1051 over 12.9.
3. Torque coefficient: $K=0.2$
4. Clamp coefficient: $A=1.4$
5. Tightening friction coefficient $\mu=0.15$

CSF-LW series: Bolt connection to output flange and resulting transmission torque

Table 139-3

Item \ Size		14	17	20	25	32	40	45	50	58	65
Number of bolts		6	6	8	8	8	8	8	8	8	8
Bolt size		M4	M5	M6	M8	M10	M10	M12	M14	M16	M16
Pitch circle	mm	23	27	32	42	55	68	82	84	100	110
Clamp torque		Nm	4.5	9.0	15.3	37	74	74	128	205	319
Torque transmission capacity (bolt only)		Nm	49	91	204	486	1019	1258	2200	3070	4980

CSF-LW series: Bolt connection to case side and resulting transmission torque

Table 139-4

Item \ Size		14	17	20	25	32	40	45	50	58	65
Number of bolts		6	8	8	10	12	10	16	18	16	12
Bolt size		M4	M4	M5	M5	M6	M8	M8	M8	M10	M12
Pitch circle	mm	65	71	82	96	125	144	164	174	206	236
Clamp torque		Nm	3.2	3.2	6.4	6.4	10.8	26.5	26.5	51.9	90
Torque transmission capacity (bolt only)		Nm	9.8	143	261	382	842	1488	2712	3237	5350

(Table 139-3, 139-4/Notes)

1. The material of the thread must withstand the clamp torque.
2. Recommended bolt: JIS B 1176 socket head cap screw / Strength range: JIS B 1051 over 12.9.
3. Torque coefficient: $K=0.2$
4. Clamp coefficient: $A=1.4$
5. Tightening friction coefficient $\mu=0.15$
6. Since the material of the flange on the case side of CSF-LW is AL (aluminum), be sure to set the bolt tightening torque to the value in Table 139-4.
If the tightening torque exceeds the value listed in Table 139-4, the correct transmission torque may not be obtained and looseness may be caused.

■ Precautions on installing the load to the output flange (Sizes 14 to 25)

As the distance (see the size symbol "L" in Figure 128-1 on Page 128) between the oil seal on the output flange periphery and the edge of the output flange (rotor) is short for the gear units sizes 14, 17, 20 and 25, the load may interfere with the oil seal. Produce a design so that the load cannot be applied to the oil seal.

Sold & Serviced By:



Toll Free Phone (877) SERV098

www.electromate.com
sales@electromate.com

Installation of a motor

■ **Motor mounting flange**

A motor mounting flange is required for installing a motor. The recommended size and precision of the basic part of the motor mounting flange is shown in Table 140-1.

Fig. 140-1

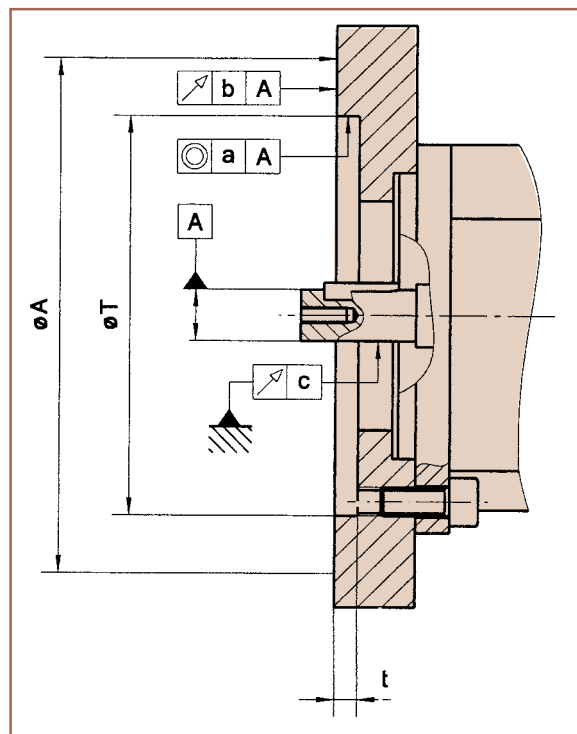


Table 140-1
Unit: mm

Symbol \ Size	14	17	20	25	32	40	45	50	58	65
a	0.03	0.04	0.04	0.04	0.04	0.05	0.05	0.05	0.05	0.05
b	0.03	0.04	0.04	0.04	0.04	0.05	0.05	0.05	0.05	0.05
c	0.015	0.015	0.018	0.018	0.018	0.018	0.021	0.021	0.021	0.021
φA	73	79	93	107	138	160	180	190	226	260
t	3	3	4.5	4.5	4.5	6	6	6	7.5	7.5
φT	38H7	48H7	56H7	67H7	90H7	110H7	124H7	135H7	156H7	177H7

Sold & Serviced By:



Toll Free Phone (877) SERV098

www.electromate.com

sales@electromate.com

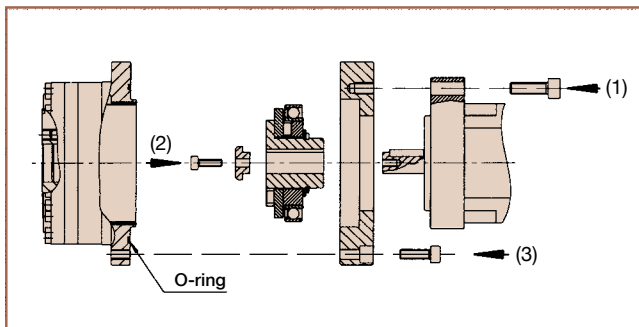
Installation procedure

As shown in Figures 141-1 and 141-2, there are two basic procedures to install a motor. Select the installation procedure by the diameter of the pilot hole on the motor mounting surface. Table 141-1 shows the selection standard by the diameter of the pilot hole on the motor mounting surface.

Table 141-1
Unit: mm

Size	14	17	20	25	32	40	45	50	58	65	Reference drawing for installation
The dia. of the pilot hole on the motor mounting surface	<35.5	<43.5	<50.0	<62.5	<81.5	<100.0	<113.5	<124.5	<147	<167	Installation procedure-1 (Fig. 141-1)
	≥35.5	≥43.5	≥50.0	≥62.5	≥81.5	≥100.0	≥113.5	≥124.5	≥147	≥167	Installation procedure-2 (Fig. 141-2)

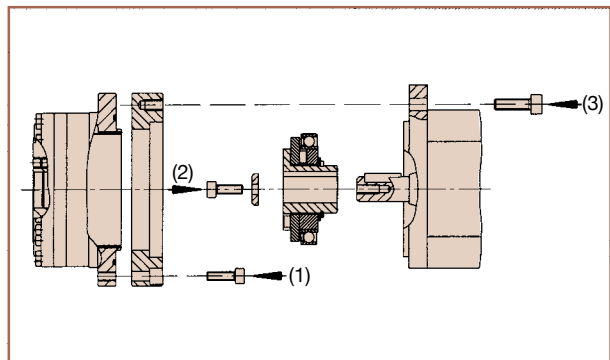
Fig. 141-1



Installation procedure-1

- (1) Install the mounting flange on the motor mounting surface.
- (2) Install a wave generator on the motor output shaft.
- (3) Install the main unit.

Fig. 141-2



Installation procedure-2

- (1) Install the mounting flange on the main unit.
- (2) Install a wave generator on the motor output shaft.
- (3) Install the mounting flange (main unit) on the motor mounting surface.

Precautions on assembly

It is extremely important to assemble the gear accurately, in proper sequence. Perform assembly based on the following precautions.

Precautions regarding the wave generator

1. Avoid applying undue axial force to the wave generator during installation. Rotating the wave generator bearing while inserting it is recommended and will ease the process.
2. If the wave generator does not have an Oldham coupling, extra care must be given to ensure that concentricity and inclination are within the specified limits (see "Installation accuracy" of each series on Page 137).

Other precautions

1. Is the flatness of the mounting surface poor or distorted?
2. Is any embossment of the screw hole area, burr or trapped foreign matter found?
3. Have chamfering and relief working of the corner been performed to prevent interference with the area of installation of the unit?

Rust-prevention

Although Harmonic Drive® gears come with some corrosion protection, the gear can rust if exposed to the environment. The gear external surfaces typically have only a temporary corrosion inhibitor and some oil applied. If an anti-rust product is needed, please contact us to review the options.

Sold & Serviced By:



Toll Free Phone (877) SERV098

www.electromate.com

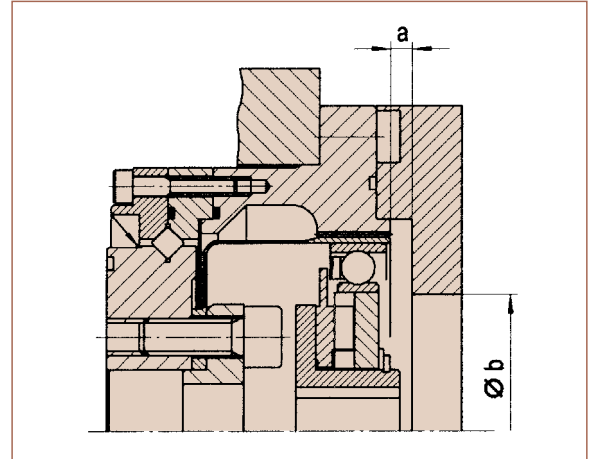
sales@electromate.com

Lubrication

Grease lubrication is standard for the CSF/CSG gear units. Harmonic Grease SK-2 is for sizes 14 and 17, and Harmonic Grease SK-1A is for sizes 20 to 65 (Harmonic Grease 4B No.2 for the cross roller bearing). Harmonic Grease 4B No.2 is also available for long-life and for use in a wide temperature range. (see "Engineering data" for the specifications of the grease).

See table below for recommended housing dimensions. These dimensions must be maintained to prevent damage to the gear and to maintain a proper grease cavity.

Fig. 142-1



Recommended housing dimensions

Table 142-1

Unit: mm

Symbol \ Size	14	17	20	25	32	40	45	50	58	65
a*	1	1	1.5	1.5	1.5	2	2	2	2.5	2.5
a**	3	3	4.5	4.5	4.5	6	6	6	7.5	7.5
φb	16	26	30	37	37	45	45	45	56	62

* Horizontal and vertical: when the wave generator is below

** Vertical: when the wave generator is above

Other precautions

Fill the gap between the wave generator and the input cover (motor flange) with grease to use the wave generator facing upward or downward (see Figure 048-3 on Page 48).

Sealing

Sealing is needed to maintain the high durability of the gear and prevent grease leakage

- Rotating Parts Oil seal (with a spring). Surface should be smooth (no scratches)
- Mating flange O-ring and seal adhesive. Take care regarding distortion on the plane and how the O-ring is engaged.
- Screw hole area Screws should have a thread lock (LOCTITE 242 is recommended) or seal adhesive.

(Note) If you use Harmonic Grease 4BNo.2, strict sealing is required.

Sealing area and the recommended sealing method for the unit type

Table 142-2

Area requiring sealing		Recommended sealing method
Output side	Pass-through hole in the center of the output flange and the output flange mating face	Use O-ring (supplied with product)
	Spanner screw area	Screw lock agent with sealing effect (LOCTITE® 242 is recommended)
Input side	Flange mating face	Use O-ring (supplied with product)
	Motor output shaft	Please select a motor which has an oil seal on the output shaft.

Rust prevention

Although Harmonic Drive® gears come with some corrosion protection, the gear can rust if exposed to the environment. The gear external surfaces typically have only a temporary corrosion inhibitor and some oil applied. If an anti-rust product is needed, please contact us to review the options.

Sold & Serviced By:



Toll Free Phone (877) SERV098

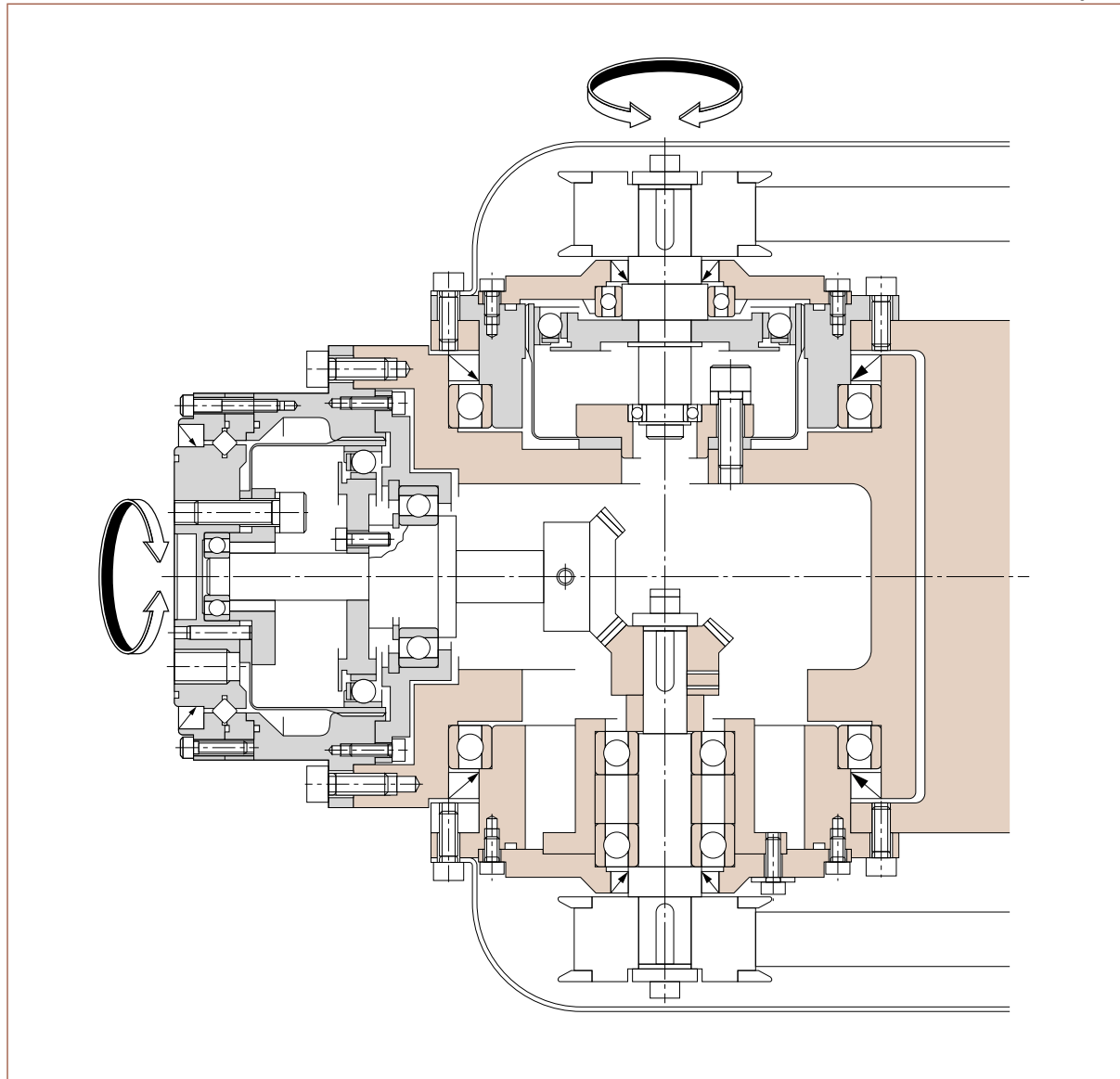
www.electromate.com

sales@electromate.com

Application

Multi-joint Robot

Fig. 143-1



Engineering Data

Component Sets

Gear Units

Phase Adjusters

Gearheads & Actuators

Sold & Serviced By:



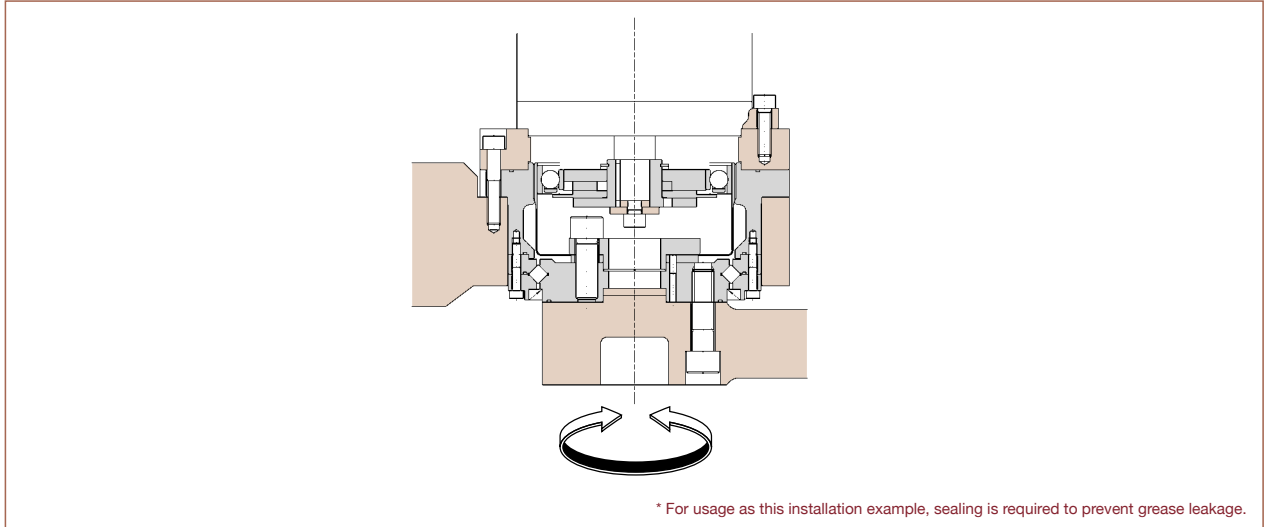
Toll Free Phone (877) SERV098

www.electromate.com

sales@electromate.com

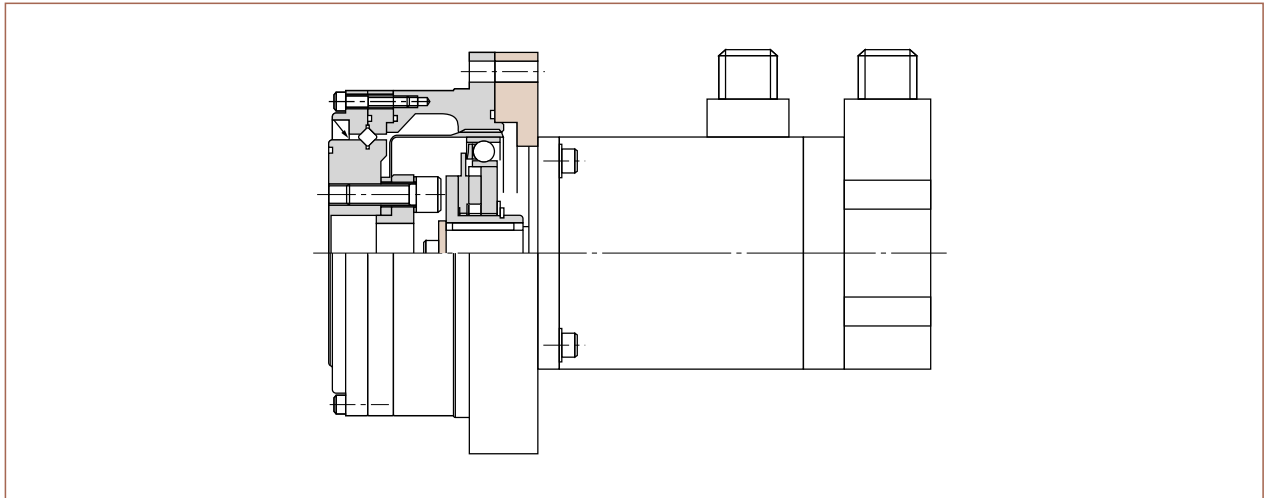
Horizontal Multi Arm Robot

Fig. 144-1



Direct Connection to a Servomotor

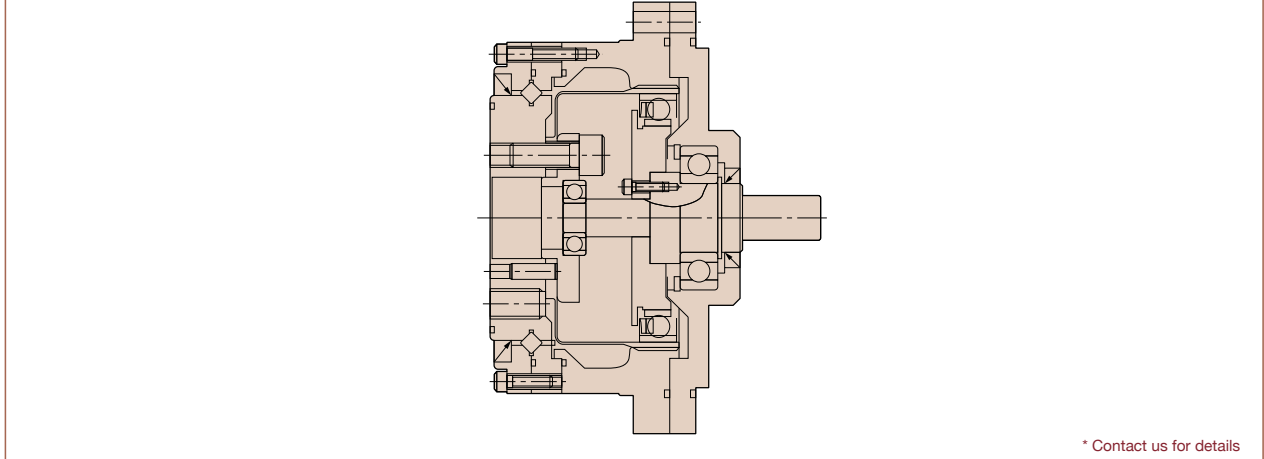
Fig. 144-2



Optional Input Shaft

Fig. 144-3

CSF/CSG-2UJ with optional input shaft



Engineering Data

Engineering Data

Tooth profile	• S tooth profile	009
Rotational direction and reduction ratio	• Cup style	010
	• Silk hat style	010
	• Pancake style	011
Rating table definitions		012
Life		012
Torque limits		013
Product sizing and selection		014
Lubrication	• Grease lubricant	016
	• Precautions on using Harmonic Grease® 4B No.2	018
	• Oil lubricant	018
	• Lubricant for special environments	019
Torsional stiffness		020
Positional accuracy		021
Vibration		021
Starting torque		022
Backdriving torque		022
No-load running torque		023
Efficiency		023
Design guidelines	• Design guideline	024
	• Bearing support of the input and output shafts	025
	• Wave Generator	026
Assembly guidelines	• Sealing	028
	• Assembly Precautions	028
	• "dedoidal" state	029
Checking output bearing	• Checking procedure	030
	• How to calculate the maximum moment load	030
	• How to calculate the average load	031
	• How to calculate the radial load coefficient (X) and axial load coefficient (Y)	031
	• How to calculate life	032
	• How to calculate the life under oscillating movement	033
• How to calculate the static safety coefficient	034	

Tooth Profile

■ S tooth profile

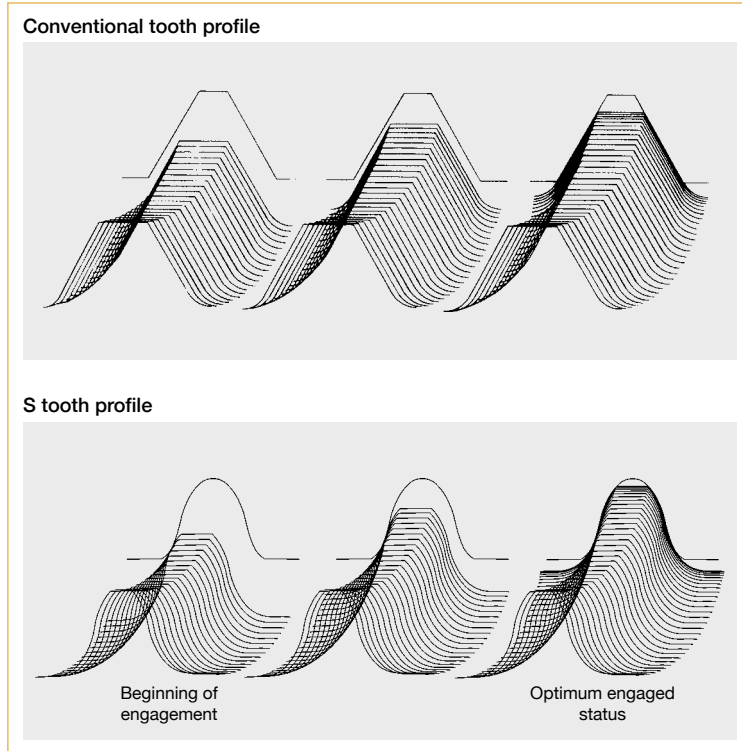
Harmonic Drive developed a unique gear tooth profile that optimizes the tooth engagement. It has a special curved surface unique to the S tooth profile that allows continuous contact with the tooth profile. It also alleviates the concentration of stress by widening the width of the tooth groove against the tooth thickness and enlarging the radius on the bottom. This tooth profile (the "S tooth") enables up to 30% of the total number of teeth to be engaged simultaneously.

Additionally the large tooth root radius increases the tooth strength compared with an involute tooth. This technological innovation results in high torque, high torsional stiffness, long life and smooth rotation.

*Patented

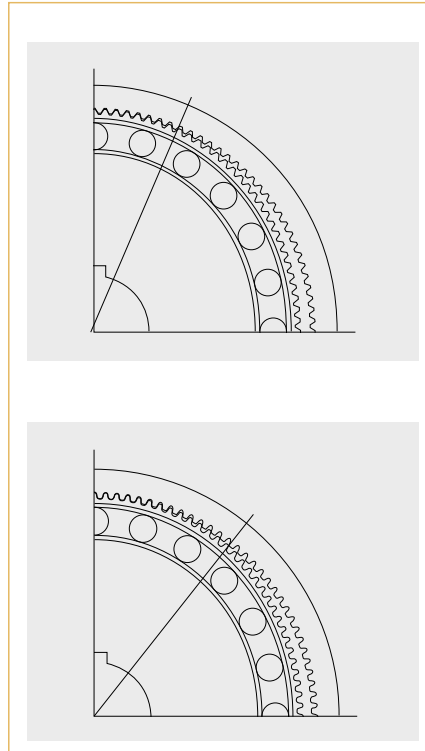
Engaged route of teeth

Fig. 009-1



Engaged area of teeth

Fig. 009-2



Sold & Serviced By:

 **ELECTROMATE**

Toll Free Phone (877) SERV098

www.electromate.com

sales@electromate.com

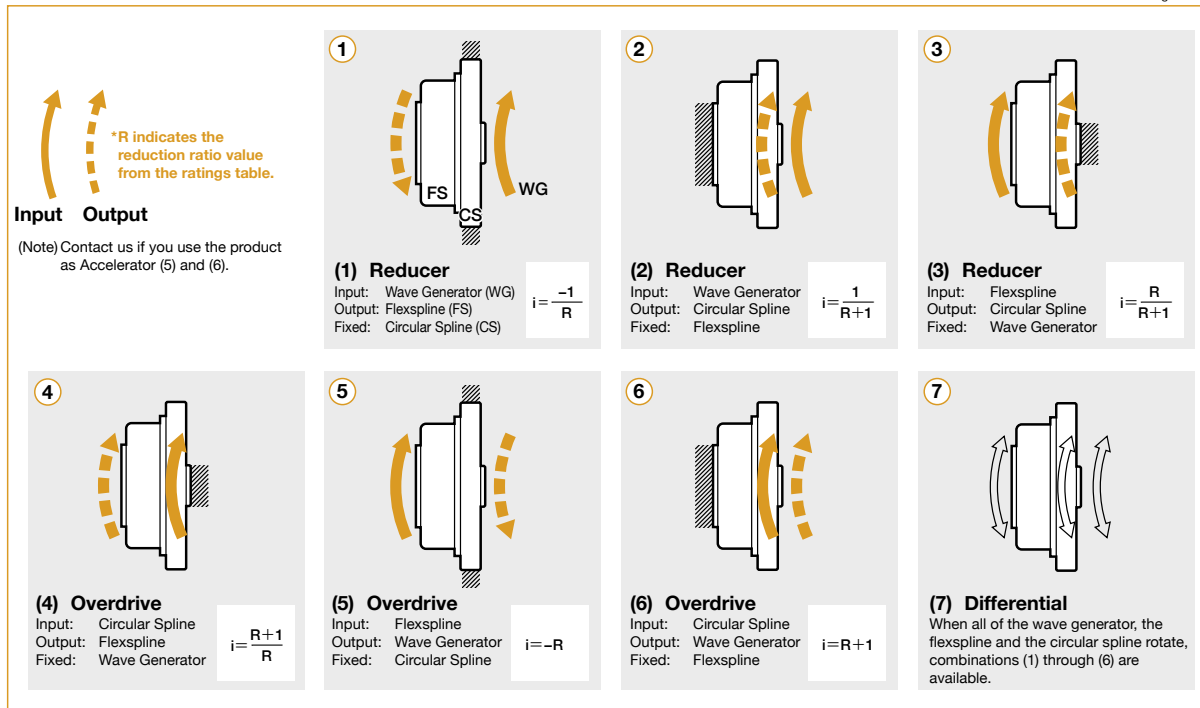
Rotational direction and reduction ratio

Cup Style

Series: CSG, CSF, CSD, CSF-mini

Rotational direction

Fig. 010-1

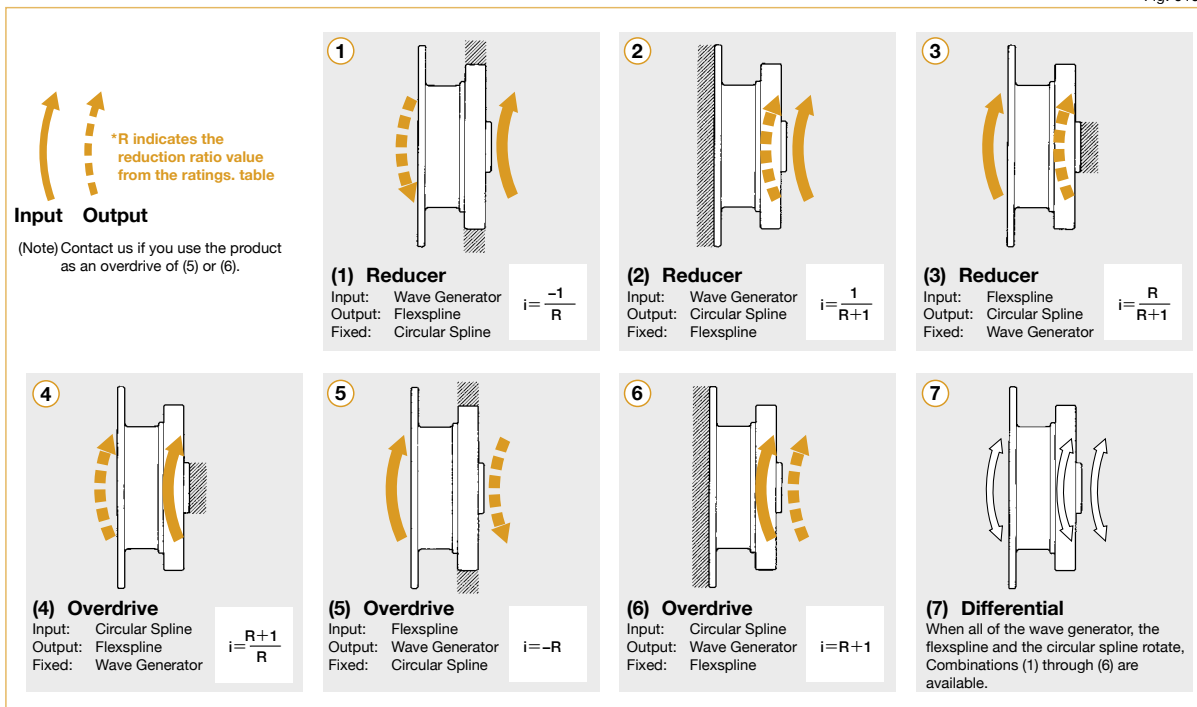


Silk hat

Series: SHG, SHF, SHD

Rotational direction

Fig. 010-2

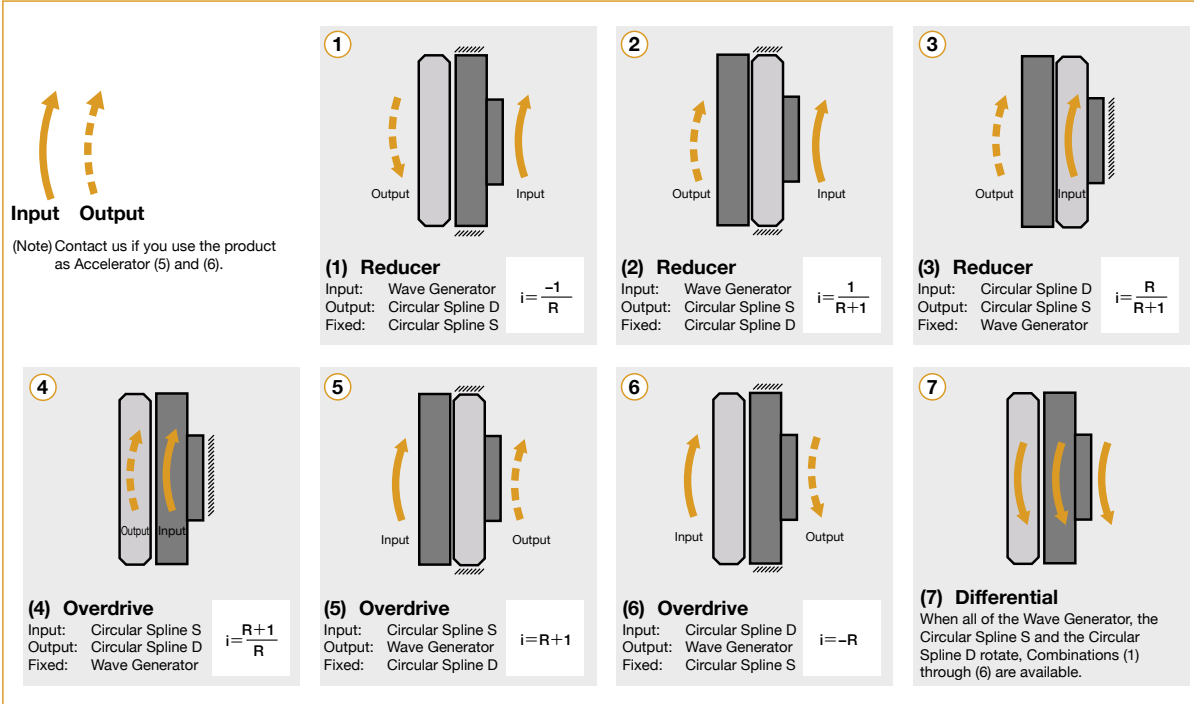


Pancake

Series: FB and FR

■ **Rotational direction**

Fig. 11-1



■ **Reduction ratio**

The reduction ratio is determined by the number of teeth of the Flexspline and the Circular Spline

Number of teeth of the Flexspline: Z_f
Number of teeth of the Circular Spline: Z_c

Example

Number of teeth of the Flexspline: 200
Number of teeth of the Circular Spline: 202

- ▶ Input: Wave Generator
Output: Flexspline
Fixed: Circular Spline } Reduction ratio $i_1 = \frac{1}{R_1} = \frac{Z_f - Z_c}{Z_f}$
- ▶ Input: Wave Generator
Output: Circular Spline
Fixed: Flexspline } Reduction ratio $i_2 = \frac{1}{R_2} = \frac{Z_c - Z_f}{Z_c}$

- ▶ Input: Wave Generator
Output: Flexspline
Fixed: Circular Spline } Reduction ratio $i_1 = \frac{1}{R_1} = \frac{200 - 202}{200} = \frac{-1}{100}$
- ▶ Input: Wave Generator
Output: Circular Spline
Fixed: Flexspline } Reduction ratio $i_2 = \frac{1}{R_2} = \frac{202 - 200}{202} = \frac{1}{101}$

■ R_1 indicates the reduction ratio value from the ratings table.

Sold & Serviced By:



Toll Free Phone (877) SERV098

www.electromate.com

sales@electromate.com

Rating Table Definitions

See the corresponding pages of each series for values.

Rated torque

Rated torque indicates allowable continuous load torque at rated input speed.

Limit for Repeated Peak Torque (see Graph 12-1)

During acceleration and deceleration the Harmonic Drive® gear experiences a peak torque as a result of the moment of inertia of the output load. The table indicates the limit for repeated peak torque.

Limit for Average Torque

In cases where load torque and input speed vary, it is necessary to calculate an average value of load torque. The table indicates the limit for average torque. The average torque calculated must not exceed this limit. (calculation formula: Page 14)

Limit for Momentary Peak Torque (see Graph 12-1)

The gear may be subjected to momentary peak torques in the event of a collision or emergency stop. The magnitude and frequency of occurrence of such peak torques must be kept to a minimum and they should, under no circumstance, occur during normal operating cycle. The allowable number of occurrences of the momentary peak torque may be calculated by using formula 13-1.

Maximum Average Input Speed Maximum Input Speed

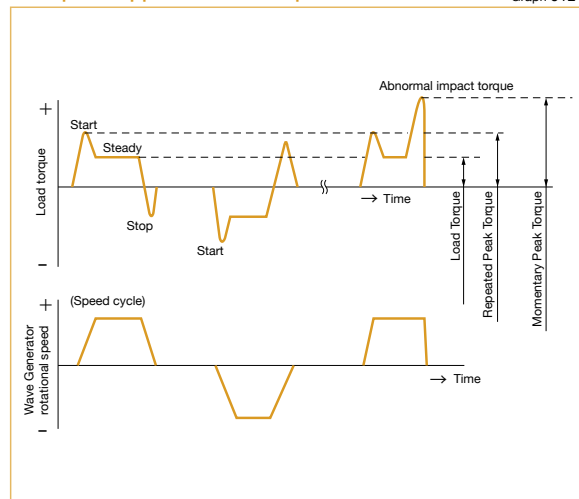
Do not exceed the allowable rating. (calculation formula of the average input speed: Page 14).

Moment of Inertia

The rating indicates the moment of inertia reflected to the gear input.

Example of application motion profile

Graph 012-1



Life

Life of the wave generator

The life of a gear is determined by the life of the wave generator bearing. The life may be calculated by using the input speed and the output load torque.

Table 012-1

Series name	Life	
	CSF, CSD, SHF, SHD, CSF-mini	CSG, SHG
L ₁₀	7,000 hours	10,000 hours
L ₅₀ (average life)	35,000 hours	50,000 hours

* Life is based on the input speed and output load torque from the rating table.

Calculation formula for Rated Lifetime

Formula 012-1

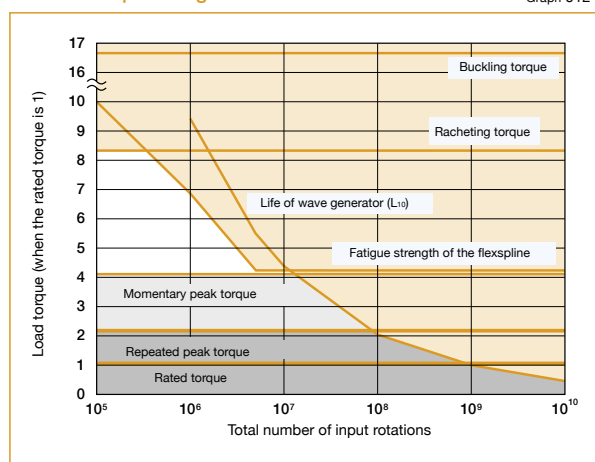
$$L_h = L_n \cdot \left(\frac{T_r}{T_{av}} \right)^3 \cdot \left(\frac{N_r}{N_{av}} \right)$$

Table 012-2

L _n	Life of L ₁₀ or L ₅₀
T _r	Rated torque
N _r	Rated input speed
T _{av}	Average load torque on the output side (calculation formula: Page 14)
N _{av}	Average input speed (calculation formula: Page 14)

Relative torque rating

Graph 012-2



* Lubricant life not taken into consideration in the graph described above.

* Use the graph above as reference values.

Torque Limits

Strength of flexspline

The Flexspline is subjected to repeated deflections, and its strength determines the torque capacity of the Harmonic Drive® gear. The values given for Rated Torque at Rated Speed and for the allowable Repeated Peak Torque are based on an infinite fatigue life for the Flexspline.

The torque that occurs during a collision must be below the momentary peak torque (impact torque). The maximum number of occurrences is given by the equation below.

Allowable limit of the bending cycles of the flexspline during rotation of the wave generator while the impact torque is applied: 1.0×10^4 (cycles)

The torque that occurs during a collision must be below the momentary peak torque (impact torque). The maximum number of occurrences is given by the equation below.

Calculation formula Formula 013-1

$$N = \frac{1.0 \times 10^4}{2 \times \frac{n}{60} \times t}$$

Allowable occurrences	N occurrences
Time that impact torque is applied	t sec
Rotational speed of the wave generator	n rpm
The flexspline bends two times per one revolution of the wave generator.	

Caution If the number of occurrences is exceeded, the Flexspline may experience a fatigue failure.

Buckling torque

When a highly excessive torque (16 to 17 times rated torque) is applied to the output with the input stationary, the flexspline may experience plastic deformation. This is defined as buckling torque.

* See the corresponding pages of each series for buckling torque values.

Warning When the flexspline buckles, early failure of the HarmonicDrive® gear will occur.

Ratcheting torque

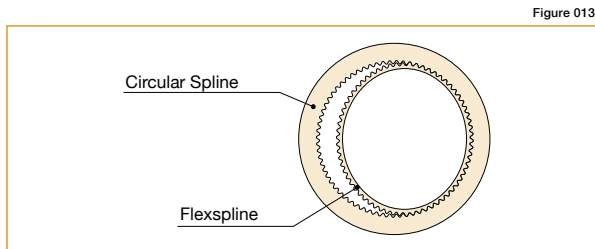
When excessive torque (8 to 9 times rated torque) is applied while the gear is in motion, the teeth between the Circular Spline and Flexspline may not engage properly.

This phenomenon is called ratcheting and the torque at which this occurs is called ratcheting torque. Ratcheting may cause the Flexspline to become non-concentric with the Circular Spline. Operating in this condition may result in shortened life and a Flexspline fatigue failure.

* See the corresponding pages of each series for ratcheting torque values.
 * Ratcheting torque is affected by the stiffness of the housing to be used when installing the circular spline. Contact us for details of the ratcheting torque.

Caution When ratcheting occurs, the teeth may not be correctly engaged and become out of alignment as shown in Figure 013-1. Operating the drive in this condition will cause vibration and damage the flexspline.

Caution Once ratcheting occurs, the teeth wear excessively and the ratcheting torque may be lowered.



"Dedoidal" condition.

Sold & Serviced By:



Toll Free Phone (877) SERV098

www.electromate.com

sales@electromate.com

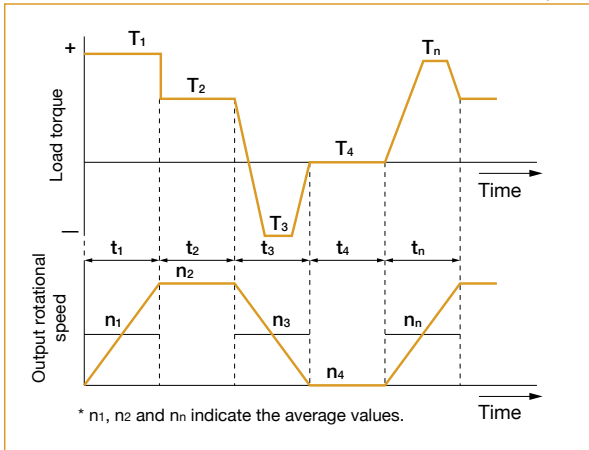
Product Sizing & Selection

In general, a servo system rarely operates at a continuous load and speed. The input rotational speed, load torque change and comparatively large torque are applied at start and stop. Unexpected impact torque may be applied. These fluctuating load torques should be converted to the average load torque when selecting a model number. As an accurate cross roller bearing is built in the direct external load support (output flange), the maximum moment load, life of the cross roller bearing and the static safety coefficient should also be checked.

Checking the application motion profile

Review the application motion profile. Check the specifications shown in the figure below.

Graph 14-1



Obtain the value of each application motion profile.

Load torque	T_n (Nm)
Time	t_n (sec)
Output rotational speed	n_n (rpm)

Normal operation pattern

Starting (acceleration)	T_1, t_1, n_1
Steady operation (constant velocity)	T_2, t_2, n_2
Stopping (deceleration)	T_3, t_3, n_3
Dwell	T_4, t_4, n_4

Maximum rotational speed

Max. output speed	$n_o \text{ max}$
Max. input rotational speed (Restricted by motors)	$n_i \text{ max}$

Emergency stop torque

When impact torque is applied	T_s, t_s, n_s
-------------------------------	-----------------

Required life

$L_{10} = L$ (hours)

Flowchart for selecting a size

Please use the flowchart shown below for selecting a size. Operating conditions must not exceed the performance ratings.

Calculate the average load torque applied on the output side from the application motion profile: T_{av} (Nm).

$$T_{av} = \sqrt[3]{\frac{n_1 \cdot t_1 \cdot |T_1| + n_2 \cdot t_2 \cdot |T_2| + \dots + n_n \cdot t_n \cdot |T_n|}{n_1 \cdot t_1 + n_2 \cdot t_2 + \dots + n_n \cdot t_n}}$$

Make a preliminary model selection with the following conditions. $T_{av} \leq$ Limit for average torque (torque)

(See the rating table of each series).

Calculate the average output speed: n_{av} (rpm)

$$n_{av} = \frac{n_1 \cdot t_1 + n_2 \cdot t_2 + \dots + n_n \cdot t_n}{t_1 + t_2 + \dots + t_n}$$

Obtain the reduction ratio (R). A limit is placed on "ni max" by motors.

$$\frac{n_i \text{ max}}{n_o \text{ max}} \geq R$$

Calculate the average input rotational speed from the average output rotational speed (n_{av}) and the reduction ratio (R): $n_i \text{ av}$ (rpm)

$$n_i \text{ av} = n_o \text{ av} \cdot R$$

Calculate the maximum input rotational speed from the max. output rotational speed ($n_o \text{ max}$) and the reduction ratio (R): $n_i \text{ max}$ (rpm)

$$n_i \text{ max} = n_o \text{ max} \cdot R$$

Check whether the preliminary model number satisfies the following condition from the rating table.

$$n_i \text{ av} \leq \text{Limit for average speed (rpm)}$$

$$n_i \text{ max} \leq \text{Limit for maximum speed (rpm)}$$

NG

OK

Check whether T_1 and T_3 are less than the repeated peak torque specification.

NG

OK

Check whether T_s is less than the the momentary peak torque specification.

NG

OK

Calculate (N_s) the allowable number of rotations during impact torque.

$$N_s = \frac{10^4}{2 \cdot \frac{n_s \cdot R}{60} \cdot t} \dots \dots N_s \leq 1.0 \times 10^4$$

NG

OK

Calculate the lifetime.

$$L_{10} = 7000 \cdot \left(\frac{T_r}{T_{av}} \right)^3 \cdot \left(\frac{n_r}{n_i \text{ av}} \right) \text{ (hours)}$$

Check whether the calculated life is equal to or more than the life of the wave generator (see Page 13).

NG

OK

The model number is confirmed.

Review the operation conditions and model number

Example of model number selection

Value of each application motion profile

Load torque	T_n (Nm)
Time	t_n (sec)
Output speed	n_n (rpm)

Normal operation pattern

Starting (acceleration)	$T_1 = 400$ Nm, $t_1 = 0.3$ sec, $n_1 = 7$ rpm
Steady operation (constant velocity)	$T_2 = 320$ Nm, $t_2 = 3$ sec, $n_2 = 14$ rpm
Stopping (deceleration)	$T_3 = 200$ Nm, $t_3 = 0.4$ sec, $n_3 = 7$ rpm
Dwell	$T_4 = 0$ Nm, $t_4 = 0.2$ sec, $n_4 = 0$ rpm

Maximum rotational speed

Max. output speed	$n_o \max = 14$ rpm
Max. input speed (Restricted by motors)	$n_i \max = 1800$ rpm

Emergency stop torque

When impact torque is applied	$T_s = 500$ Nm, $t_s = 0.15$ sec, $n_s = 14$ rpm
-------------------------------	--

Required life

$L_{10} = 7000$ (hours)

Calculate the average load torque to the output side based on the application motion profile: T_{av} (Nm).

$$T_{av} = 3 \sqrt{\frac{7 \text{ rpm} \cdot 0.3 \text{ sec} \cdot |400 \text{ Nm}|^3 + 14 \text{ rpm} \cdot 3 \text{ sec} \cdot |320 \text{ Nm}|^3 + 7 \text{ rpm} \cdot 0.4 \text{ sec} \cdot |200 \text{ Nm}|^3}{7 \text{ rpm} \cdot 0.3 \text{ sec} + 14 \text{ rpm} \cdot 3 \text{ sec} + 7 \text{ rpm} \cdot 0.4 \text{ sec}}}$$

Make a preliminary model selection with the following conditions. $T_{av} = 319$ Nm \leq 620 Nm (Limit for average torque for model number CSF-40-120-2A-GR: See the rating table on Page 39.) Thus, **CSF-40-120-2A-GR** is tentatively selected.

Calculate the average output rotational speed: $n_o \text{ av}$ (rpm)

$$n_o \text{ av} = \frac{7 \text{ rpm} \cdot 0.3 \text{ sec} + 14 \text{ rpm} \cdot 3 \text{ sec} + 7 \text{ rpm} \cdot 0.4 \text{ sec}}{0.3 \text{ sec} + 3 \text{ sec} + 0.4 \text{ sec} + 0.2 \text{ sec}} = 12 \text{ rpm}$$

Obtain the reduction ratio (R).

$$\frac{1800 \text{ rpm}}{14 \text{ rpm}} = 128.6 \geq 120$$

Calculate the average input rotational speed from the average output rotational speed ($n_o \text{ av}$) and the reduction ratio (R): $n_i \text{ av}$ (rpm)

$$n_i \text{ av} = 12 \text{ rpm} \cdot 120 = 1440 \text{ rpm}$$

Calculate the maximum input rotational speed from the maximum output rotational speed ($n_o \text{ max}$) and the reduction ratio (R): $n_i \text{ max}$ (rpm)

$$n_i \text{ max} = 14 \text{ rpm} \cdot 120 = 1680 \text{ rpm}$$

Check whether the preliminary selected model number satisfies the following condition from the rating table.

$$n_i \text{ av} = 1440 \text{ rpm} \leq 3600 \text{ rpm (Max average input speed of size 40)}$$

$$n_i \text{ max} = 1680 \text{ rpm} \leq 5600 \text{ rpm (Max input speed of size 40)}$$

NG

OK

Check whether T_1 and T_3 are equal to or less than the repeated peak torque specification.

$$T_1 = 400 \text{ Nm} \leq 617 \text{ Nm (Limit of repeated peak torque of size 40)}$$

$$T_3 = 200 \text{ Nm} \leq 617 \text{ Nm (Limit of repeated peak torque of size 40)}$$

NG

OK

Check whether T_s is equal to or less than the momentary peak torque specification.

$$T_s = 500 \text{ Nm} \leq 1180 \text{ Nm (Limit for momentary torque of size 40)}$$

NG

OK

Calculate the allowable number (N_s) rotation during impact torque and confirm $\leq 1.0 \times 10^4$

$$N_s = \frac{10^4}{2 \cdot \frac{14 \text{ rpm} \cdot 120}{60} \cdot 0.15 \text{ sec}} = 1190 \leq 1.0 \times 10^4$$

NG

OK

Calculate the lifetime.

$$L_{10} = 7000 \cdot \left(\frac{294 \text{ Nm}}{319 \text{ Nm}} \right)^3 \cdot \left(\frac{2000 \text{ rpm}}{1440 \text{ rpm}} \right) \text{ (hours)}$$

Check whether the calculated life is equal to or more than the life of the wave generator (see Page 12).

$$L_{10} = 7610 \text{ hours} \geq 7000 \text{ (life of the wave generator: } L_{10})$$

NG

OK

The selection of model number **CSF-40-120-2A-GR** is confirmed from the above calculations.

Review the operation conditions, size and reduction ratio

Lubrication

Component Sets: CSD-2A, CSF-2A, CSG-2A, FB-2, FB-0, FR-2, SHF-2A, SHG-2A and SHD and SHG/SHF -2SO and -2SH gear units: Grease lubricant and oil lubricant are available for lubricating the component sets and SHD gear unit. It is extremely important to properly grease your component sets and SHD gear unit. Proper lubrication is essential for high performance and reliability. Harmonic Drive® component sets are shipped with a rust- preventative oil. The characteristics of the lubricating grease and oil types approved by Harmonic Drive are not changed by mixing with the preservation oil. It is therefore not necessary to remove the preservation oil completely from the gear components. However, the mating surfaces must be degreased before the assembly.

Gear Units: CSG/CSF 2UH and 2UH-LW; CSD-2UF and -2UH; SHG/SHF-2UH and 2UH- LW; SHG/SHF-2UJ; CSF Supermini, CSF Mini, and CSF-2UP.

Grease lubricant is standard for lubricating the gear units. You do not need to apply grease during assembly as the product is lubricated and shipped.

See Page 19 for using lubricant beyond the temperature range in table 16-2.

* Contact us if you want consistency zero (NLGI No.0) for maintenance reasons.

Grease lubricant

Types of lubricant

Harmonic Grease® SK-1A

This grease was developed for Harmonic Drive® gears and features good durability and efficiency.

Harmonic Grease® SK-2

This grease was developed for small sized Harmonic Drive® gears and features smooth rotation of the Wave Generator since high pressure additive is liquefied.

Harmonic Grease® 4B No.2

This has been developed exclusively for the CSF and CSG and features long life and can be used over a wide range of temperature.

(Note)

- Grease lubrication must have proper sealing, this is essential for 4B No.2. Rotating part: Oil seal with spring is needed. Mating part: O ring or seal adhesive is needed.
- The grease has the highest deterioration rate in the region where the grease is subjected to the greatest shear (near wave generator). Its viscosity is between JIS No.0 and No.00 depending on the operation.

Table 016-3

NLGI consistency No.	Mixing consistency range
0	355 to 385
00	400 to 430

Grease specification

Table 016-4

Grease	SK-1A	SK-2	4B No.2
Base oil	Refined oil	Refined oil	Composite hydrocarbon oil
Base Viscosity cSt (25°C)	265 to 295	265 to 295	290 to 320
Thickening agent	Lithium soap base	Lithium soap base	Urea
NLGI consistency No.	No. 2	No. 2	No. 1.5
Additive	Extreme-pressure additive, others	Extreme-pressure additive, others	Extreme-pressure additive, others
Drop Point	197°C	198°C	247°C
Appearance	Yellow	Green	Light yellow
Storage life	5 years in sealed condition	5 years in sealed condition	5 years in sealed condition

Name of lubricant

Table 016-1

Grease	Harmonic Grease® SK-1A
	Harmonic Grease® SK-2
	Harmonic Grease® 4B No.2
Oil	Industrial gear oil class-2 (extreme pressure) ISO VG68

Temperature

Table 016-2

Grease	SK-1A 0°C to + 40°C
	SK-2 0°C to + 40°C
	4B No.2 -10°C to + 70°C
Oil	ISO VG68 0°C to + 40°C

* The hottest section should not be more than 40° above the ambient temperature.

Note: The three basic components of the gear - the Flexspline, Wave Generator and Circular Spline - are matched and serialized in the factory. Depending on the product they are either greased or prepared with preservation oil. Then the individual components are assembled. If you receive several units, please be careful not to mix the matched components. This can be avoided by verifying that the serial numbers of the assembled gear components are identical.

Compatible grease by size

Compatible grease varies depending on the size and reduction ratio. See the following compatibility table. We recommend SK-1A and SK-2 for general use.

Ratios 30:1

Table 016-5

Size	8	11	14	17	20	25	32
SK-1A	—	—	—	—	○	○	○
SK-2	○	○	○	○	—	—	—
4B No.2	△	△	△	△	□	□	□

Ratios 50:1* and above

Table 016-6

Size	8	11	14	17	20	25	32
SK-1A	—	—	—	—	○	○	○
SK-2	○	○	○	○	△	△	△
4B No.2	—	—	□	□	□	□	□

Size	40	45	50	58	65	80	90	100
SK-1A	○	○	○	○	○	○	○	○
SK-2	△	—	—	—	—	—	—	—
4B No.2	□	□	□	□	□	□	□	□

○: Standard grease

△: Semi-standard grease

□: Recommended grease for long life and high load

* Oil lubrication is required for component-sets size 50 or larger with a reduction ratio of 50:1.

Grease characteristics

Table 016-7

Grease	SK-1A	SK-2	4B No.2
Durability	○	○	◎
Fretting resistance	○	○	◎
Low-temperature performance	△	△	◎
Grease leakage	◎	◎	△

Excellent :◎

Good :○

Use Caution :△

Sold & Serviced By:



Toll Free Phone (877) SERV098

www.electromate.com

sales@electromate.com

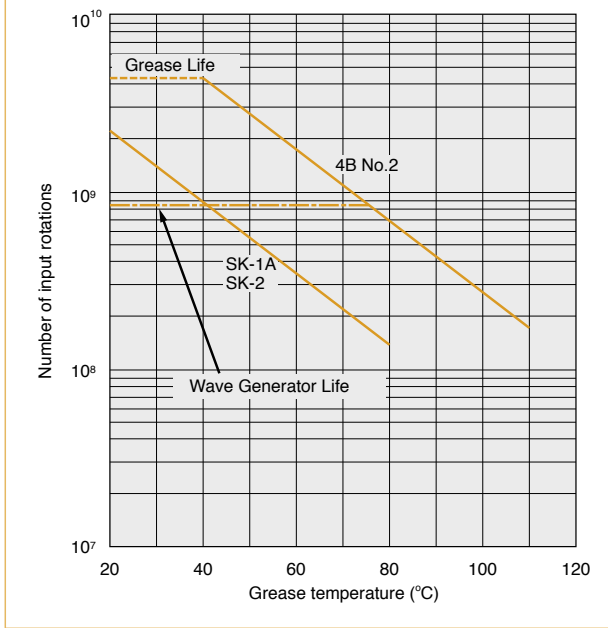
When to replace grease

The wear characteristics of the gear are strongly influenced by the condition of the grease lubrication. The condition of the grease is affected by the ambient temperature. The graph 017-1 shows the maximum number of input rotations for various temperatures. This graph applies to applications where the average load torque does not exceed the rated torque.

Note: Recommended Grease: SK-1A or SK-2

When to replace grease: L_{GTn} (when the average load torque is equal to or less than the rated torque)

Graph 017-1



Calculation formula when the average load torque exceeds the rated torque

Formula 017-1

$$L_{GT} = L_{GTn} \times \left(\frac{Tr}{T_{av}} \right)^3$$

Formula Symbols

Table 017-1

L_{GT}	Grease change (if average load torque exceeds rated torque)	input revolutions	_____
L_{GTn}	Grease change (if average load torque is equal to or less than rated torque)	input revolutions (From Graph)	See the Graph 017-1.
Tr	Rated torque	Nm	See the "Ratings Table" of each series.
T_{av}	Average load torque	Nm	Calculation formula: See Page 014.

Other precautions

1. Avoid mixing different kinds of grease. The gear should be in an individual case when installed.
2. Please contact us when you use HarmonicDrive® gears at constant load or in one direction continuously, as it may cause lubrication problems.
3. Grease leakage. A sealed structure is needed to maintain the high durability of the gear and prevent grease leakage.

See the corresponding pages of the design guide of each series for "Recommended minimum housing clearance," Application guide" and "Application quantity."

Precautions on using Harmonic Grease® 4B No.2

Harmonic Grease® 4B No.2 lubrication is ideally suited for Harmonic Drive® gears.

- (1) Apply the grease to each contacting joint at the beginning of operation.
- (2) Remove any contaminants created by abrasion during running-in period.

■ See the corresponding pages of the design guide of each series for “recommended minimum housing clearance,” Application guide” and “Application quantity.”

■ Precautions

(1) Stir Grease

When storing Harmonic Grease 4B No.2 lubrication in the container, it is common for the oil to weep from the thickener. Before greasing, stir the grease in the container to mix and soften.

(2) Aging (running-in)

The aging before the main operation softens the applied grease. More effective greasing performance can be realized when the grease is distributed around each contact surface.

Therefore, the following aging methods are recommended.

- Keep the internal temperature at 80°C or cooler. Do not start the aging at high temperature rapidly.
- Input rotational speed should be 1000rpm to 3000rpm. However, the lower rotational speed of 1000rpm is more effective. Set the speed as low as possible within the indicated range.
- The time required for aging is 20 minutes or longer.
- Operation range for aging: Keep the output rotational angle as large as possible.

Contact us if you have any questions for handling Harmonic Grease 4B No.2 lubrication.

Note: Strict sealing is required to prevent grease leakage.

Oil lubricant

■ Types of oil

The specified standard lubricant is “Industrial gear oil class-2 (extreme pressure) ISO VG68.” We recommend the following brands as a commercial lubricant.

Table 018-1

Standard	Mobil Oil	Exxon	Shell	COSMO Oil	Japan Energy	NIPPON Oil	Idemitsu Kosan	General Oil	Klüber
Industrial gear oil class-2 (extreme pressure) ISO VG68	Mobilgear 600XP68	Spartan EP68	Omala Oil 68	Cosmo gear SE68	ES gear G68	Bonock M68, Bonock AX68	Daphne super gear LW68	General Oil SP gear roll 68	Syntheso D-68EP

■ When to replace oil

First time 100 hours after starting operation
 Second time or after Every 1000 operation hours or every 6 months
 Note that you should replace the oil earlier than specified if the operating condition is demanding.

■ See the corresponding pages of the design guide of each series for specific details.

■ Other precautions

1. Avoid mixing different kinds of oil. The gear should be in an individual case when installed.
2. When you use size 50 or above at max allowable input speed, please contact us as it may cause lubrication problems.

* Oil lubrication is required for component-sets size 50 or larger with a reduction ratio of 50:1.

Sold & Serviced By:



Toll Free Phone (877) SERV098
 www.electromate.com
 sales@electromate.com

Lubricant for special environments

When the ambient temperature is special (other than the “temperature range of the operating environment” on Page 016-2), you should select a lubricant appropriate for the operating temperature range.

Harmonic Grease 4B No.2

Table 019-1

Type of lubricant	Operating temperature range	Available temperature range
Grease	-10°C to + 110°C	-50°C to + 130°C

Harmonic Grease 4B No.2

The operating temperature range of Harmonic Grease 4B No.2 lubrication is the temperature at the lubricating section with the performance and characteristics of the gear taken into consideration. (It is not ambient temperature.)

High temperature lubricant

Table 019-2

Type of lubricant	Lubricant and manufacturer	Available temperature range
Grease	Mobil grease 28: Mobil Oil	-5°C to + 160°C
Oil	Mobil SHC-626: Mobil Oil	-5°C to + 140°C

As the available temperature range indicates the temperature of the independent lubricant, restriction is added on operating conditions (such as load torque, rotational speed and operating cycle) of the gear. When the ambient temperature is very high or low, materials of the parts of the gear need to be reviewed for suitability. Contact us if operating in high temperature.

Harmonic Grease 4B No.2 can be used in the available temperature range shown in table 019-1. However, input running torque will increase at low temperatures, and grease life will be decreased at high temperatures due to oxidation and lubricant degradation.

Low temperature lubricant

Table 019-3

Type of lubricant	Lubricant and manufacturer	Available temperature range
Grease	Multemp SH-KII: Kyodo Oil	-30°C to + 50°C
	Isoflex LDS-18 special A: KLÜBER	-25°C to + 80°C
Oil	SH-200-100CS: Toray Silicon	-40°C to + 140°C
	Syntheso D-32EP: KLÜBER	-25°C to + 90°C

Sold & Serviced By:

 **ELECTROMATE**

Toll Free Phone (877) SERV098

www.electromate.com

sales@electromate.com

Torsional Stiffness

Stiffness and backlash of the drive system greatly affects the performance of the servo system. Please perform a detailed review of these items before designing your equipment and selecting a model number.

Stiffness

Fixing the input side (wave generator) and applying torque to the output side (flexspline) generates torsion almost proportional to the torque on the output side. Figure 018-1 shows the torsional angle at the output side when the torque applied on the output side starts from zero, increases up to $+T_0$ and decreases down to $-T_0$. This is called the "Torque – torsion angle diagram," which normally draws a loop of $0 - A - B - A' - B' - A$. The slope described in the "Torque – torsion angle diagram" is represented as the spring constant for the stiffness of the HarmonicDrive® gear (unit: Nm/rad).

As shown in Figure 020-1, this "Torque – torsional angle diagram" is divided into 3 regions, and the spring constants in the area are represented by K_1 , K_2 and K_3 .

K_1 ... The spring constant when the torque changes from [zero] to $[T_1]$
 K_2 ... The spring constant when the torque changes from $[T_1]$ to $[T_2]$
 K_3 ... The spring constant when the torque changes from $[T_2]$ to $[T_3]$

See the corresponding pages of each series for values of the spring constants (K_1 , K_2 , K_3) and the torque-torsional angles (T_1 , T_2 , $- \theta_1$, θ_2).

Example for calculating the torsion angle

The torsion angle (θ) is calculated here using CSF-25-100-2A-GR as an example.

When the applied torque is T_1 or less, the torsion angle θ_{L1} is calculated as follows:

$$\begin{aligned}\theta_{L1} &= T_{L1}/K_1 \\ &= 2.9/3.1 \times 10^4 \\ &= 9.4 \times 10^{-5} \text{ rad (0.33 arc min)}\end{aligned}$$

When the applied torque is between T_1 and T_2 , the torsion angle θ_{L2} is calculated as follows:

$$\begin{aligned}\theta_{L2} &= \theta_1 + (T_{L2} - T_1)/K_2 \\ &= 4.4 \times 10^{-4} + (39 - 14)/5.0 \times 10^4 \\ &= 9.4 \times 10^{-4} \text{ rad (3.2 arc min)}\end{aligned}$$

When a bidirectional load is applied, the total torsion angle will be $2 \times \theta_{Lx}$ plus hysteresis loss.

* The torsion angle calculation is for the gear component set only and does not include any torsional windup of the output shaft.

Note: See p.120 for torsional stiffness for pancake gearing .

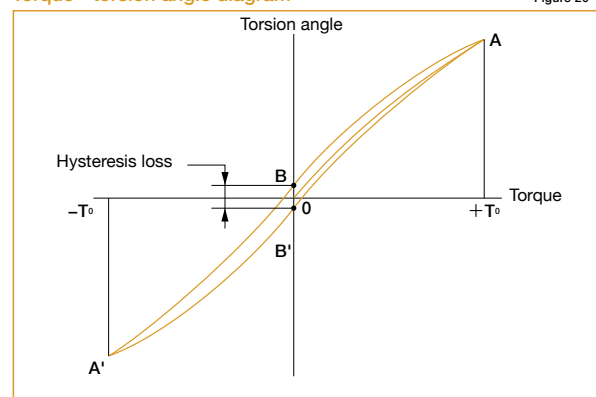
Hysteresis loss (Silk hat and cup style only)

As shown in Figure 020-1, when the applied torque is increased to the rated torque and is brought back to [zero], the torsional angle does not return exactly back to the zero point. This small difference ($B - B'$) is called hysteresis loss.

See the corresponding page of each series for the hysteresis loss value.

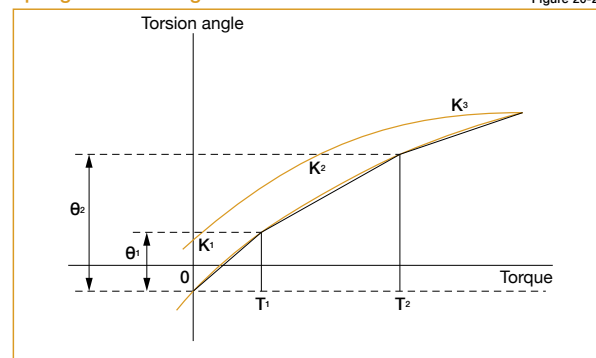
Torque - torsion angle diagram

Figure 20-1



Spring constant diagram

Figure 20-2



Backlash (Silk hat and cup style only)

Hysteresis loss is primarily caused by internal friction. It is a very small value and will vary roughly in proportion to the applied load. Because HarmonicDrive® gears have zero backlash, the only true backlash is due to the clearance in the Oldham coupling, a self-aligning mechanism used on the wave generator. Since the Oldham coupling is used on the input, the backlash measured at the output is extremely small (arc-seconds) since it is divided by the gear reduction ratio.

Sold & Serviced By:

 **ELECTROMATE**

Toll Free Phone (877) SERV098
 www.electromate.com
 sales@electromate.com

Positional Accuracy

Positional Accuracy values represent the difference between the theoretical angle and the actual angle of output for any given input. The values shown in the table are maximum values.

■ See the corresponding pages of each series for transmission accuracy values.

Example of measurement

Graph 021-1

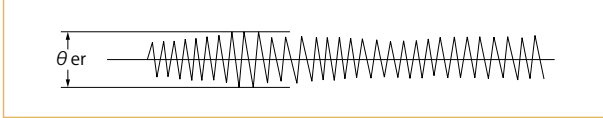


Table 021-1

θ_{er}	Transmission accuracy
θ_1	Input angle
θ_2	Actual output angle
R	Reduction ratio

Formula 021-1

$$\theta_{er} = \theta_2 - \frac{\theta_1}{R}$$

Vibration

The primary frequency of the transmission error of the HarmonicDrive® gear may cause a vibration of the load inertia. This can occur when the driving frequency of the servo system including the HarmonicDrive® gear is at, or close to the resonant frequency of the system. Refer to the design guide of each series.

The primary component of the transmission error occurs twice per input revolution of the input. Therefore, the frequency generated by the transmission error is 2x the input frequency (rev / sec).

If the resonant frequency of the entire system, including the HarmonicDrive® gear, is $F=15$ Hz, then the input speed (N) which would generate that frequency could be calculated with the formula below.

Formula 021-2

$$N = \frac{15}{2} \cdot 60 = 450 \text{ rpm}$$

The resonant frequency is generated at an input speed of 450 rpm.

How to the calculate resonant frequency of the system

Formula 021-3

$$f = \frac{1}{2\pi} \sqrt{\frac{K}{J}}$$

Formula variables

Table 021-2

f	The resonant frequency of the system	Hz	
K	Spring constant	Nm/rad	See pages of each series
J	Load inertia	kgm ²	

Sold & Serviced By:



Toll Free Phone (877) SERV098

www.electromate.com

sales@electromate.com

Starting Torque

Starting torque is the torque value applied to the input side at which the output first starts to rotate. The values in the table of each series indicate the maximum value, and the lower-limit value indicates approximately $\frac{1}{2}$ to $\frac{1}{3}$ of the maximum value.

Measurement conditions:

No-load, ambient temperature: +20°C _____

■ See the corresponding pages of each series for starting torque values.

* Use the values in the table of each series as reference values as they vary depending on the usage conditions.

Backdriving Torque

Backdriving torque is the torque value applied to the output side at which the input first starts to rotate. The values in the table are maximum values, typical values are approximately $\frac{1}{2}$ of the maximum values.

Note: Never rely on these values as a margin in a system that must hold an external load. A brake must be used where back driving is not permissible.

Measurement conditions:

No-load, ambient temperature: +20°C _____

■ See the corresponding pages of each series for backdriving torque values.

* Use the values in the table of each series as reference values as they vary depending on the usage conditions.

Sold & Serviced By:

 **ELECTROMATE**

Toll Free Phone (877) SERV098

www.electromate.com

sales@electromate.com

No-Load Running Torque

No-load running torque is the torque which is required to rotate the input side (high speed side), when there is no load on the output side (low speed side). The graph of the no-load running torque shown in this catalog depends on the measurement conditions shown in Table 023-1.

Add the compensation values shown by each series to all reduction ratios except 100:1.

- See the corresponding pages of each series for no-load running torque values.

Measurement condition

Table 023-1

Reduction ratio 100			
Lubricant	Grease lubrication	Name	Harmonic Grease SK-1A
			Harmonic Grease SK-2
		Quantity	(See pages of each series)
Torque value is measured after 2 hours at 2000 rpm input			

* Contact us for oil lubrication.

Efficiency

The efficiency varies depending on the following conditions.

- Reduction ratio
- Input speed
- Load torque
- Temperature
- Lubrication (type and quantity)

The efficiency characteristics of each series shown in this catalog depends on the measurement condition shown in Table 023-2.

- See the corresponding pages of each series for efficiency values.

Efficiency compensation coefficient

If load torque is below rated torque, a compensation factor must be employed. Calculate the compensation coefficient K_e from the efficiency compensation coefficient graph of each series and use the following example for calculation.

Example of calculation

Efficiency η (%) under the following condition is obtained from the example of CSF-20-80-2A-GR.

Input rotational speed: 1000 rpm

Load torque: 19.6 Nm

Lubrication method: Grease lubrication (Harmonic Grease SK-1A)

Lubricant temperature: 20°C

Since the rated torque of size 20 with a reduction ratio of 80 is 34 Nm (Ratings: Page 039), the torque ratio α is 0.58.

($\alpha=19.6/34=0.58$)

- The efficiency compensation coefficient is $K_e=0.93$ from Graph 023-1.
- Efficiency η at load torque 19.6 Nm: $\eta=K_e \cdot \eta_R=0.93 \times 78=73\%$

Measurement condition

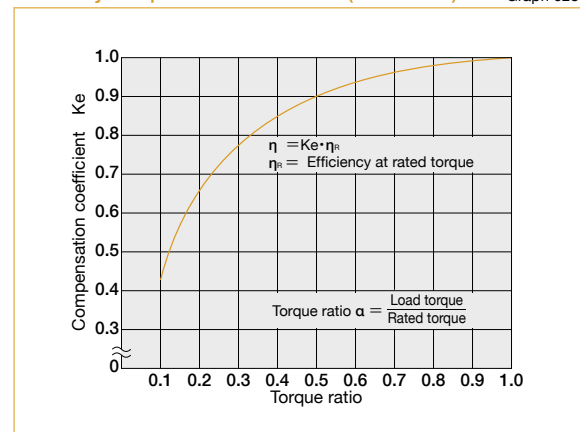
Table 023-2

Installation	Based on recommended tolerance		
Load torque	The rated torque shown in the rating table (see the corresponding pages on each series)		
Lubricant	Grease lubrication	Name	Harmonic Grease SK-1A
			Harmonic Grease SK-2
		Quantity	Recommended quantity (see the pages on each series)

* Contact us for oil lubrication.

Efficiency compensation coefficient (CSF series)

Graph 023-1



* Efficiency compensation coefficient $K_e=1$ when the load torque is greater than the rated torque.

Sold & Serviced By:

ELECTROMATE

Toll Free Phone (877) SERV098

www.electromate.com

sales@electromate.com

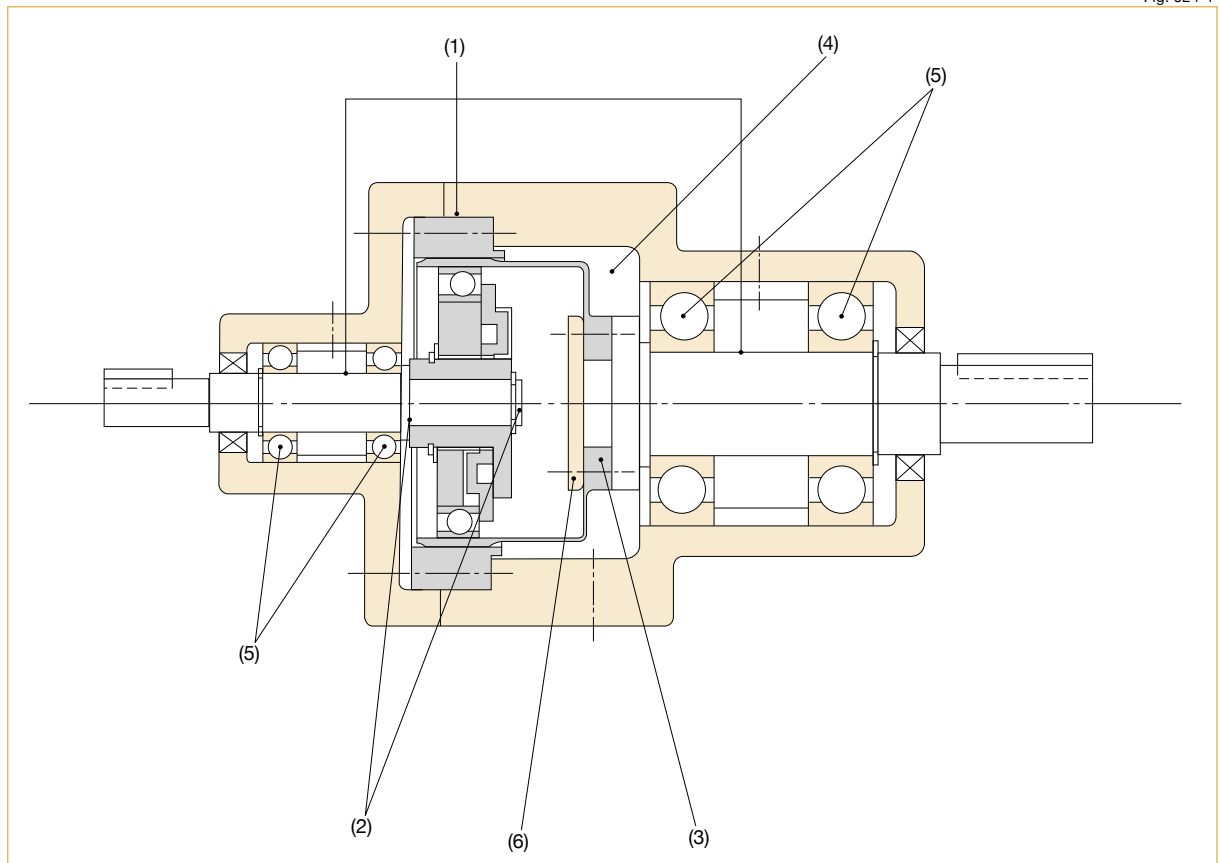
Design Guidelines

Design guideline

The relative perpendicularity and concentricity of the three basic Harmonic Drive® elements have an important influence on accuracy and service life.

Misalignments will adversely affect performance and reliability. Compliance with recommended assembly tolerances is essential in order for the advantages of Harmonic Drive® gearing to be fully realized. Please consider the following when designing:

- (1) Input shaft, Circular Spline and housing must be concentric.
- (2) When operating, an axial force is generated on the wave generator. Input bearings must be selected to accommodate this axial load. See page 27.
- (3) Even though a HarmonicDrive® gear is compact, it transmits large torques. Therefore, assure that all required bolts are used to fastened the circular spline and flexspline and that they are tightened to the recommended torque.
- (4) As the flexspline is subject to elastic deformation, the A minimal clearance between the flexspline and housing is required. Refer to "Minimum Housing Clearance" on the drawing dimension tables.
- (5) The input shaft and output shaft are supported by anti-friction bearings. As the wave generator and flexspline elements are meant to transmit pure torque only, the bearing arrangement needs to isolate the harmonic gearing from external forces applied to either shaft. A common bearing arrangement is depicted in the diagram.
- (6) A clamping plate is recommended (item 6). Its purpose is to spread fastening forces and to avoid any chance of making physical contact with the thin section of the flexspline diaphragm. The clamping plate shall not exceed the diaphragm's boss diameter and is to be designed in accordance with catalog recommendations.



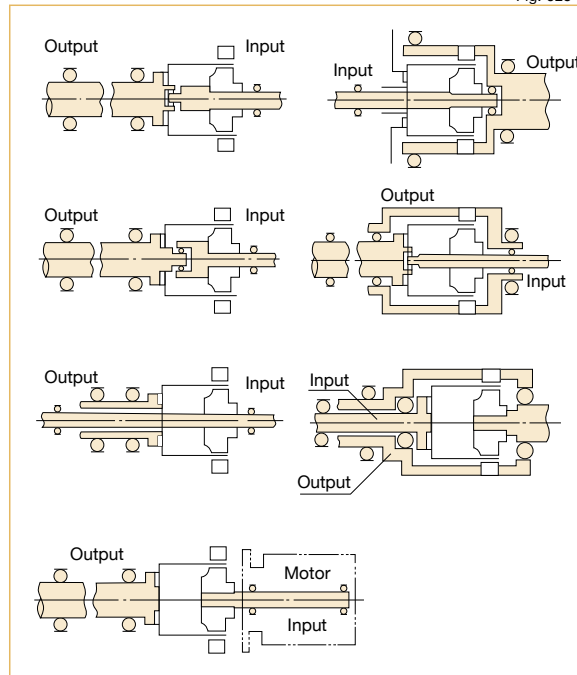
Bearing support for the input and output shafts

For the component sets, both input and output shafts must be supported by two adequately spaced bearings in order to withstand external radial and axial forces without excessive deflection. In order to avoid damage to the component set when limited external loads are anticipated, both input and output shafts must be axially fixed.

Bearings must be selected whose radial play does not exceed ISO-standard C 2 class or "normal" class. The bearings should be axially and radially preloaded to eliminate backlash.

Examples of correct bearing arrangements are shown in fig 025-1.

Fig. 025-1



Sold & Serviced By:

 **ELECTROMATE**

Toll Free Phone (877) SERV098

www.electromate.com

sales@electromate.com

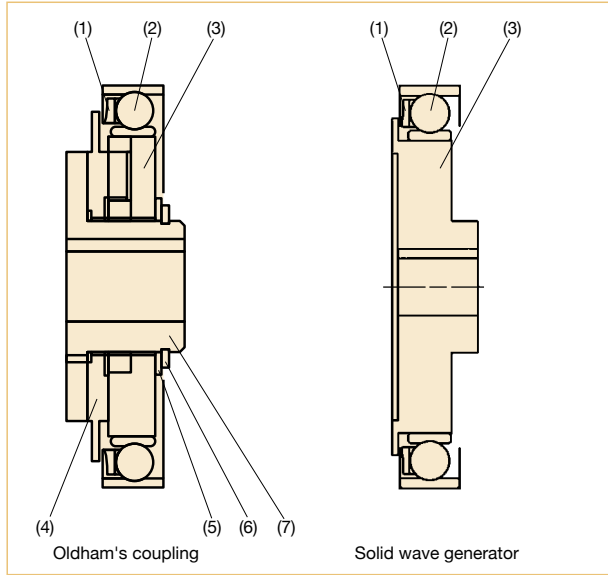
Wave generator

Structure of the wave generator

The wave generator includes an Oldham's coupling type with a self-aligning structure and an integrated solid wave generator without a self-aligning structure, and which is used depends on the series.

See the diagram of each series for details. The basic structure of the wave generator and the shape are shown below.

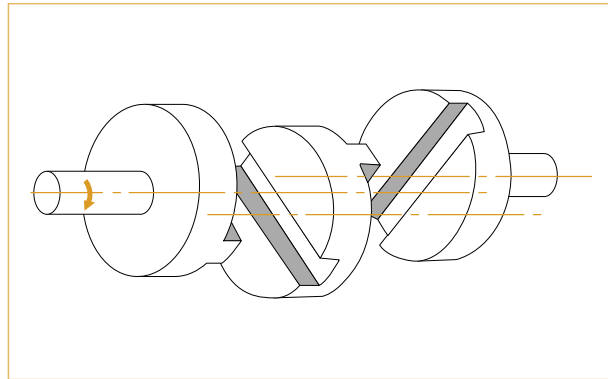
Fig. 026-1



- (1) Ball Separator
- (2) Wave generator bearing
- (3) Wave generator plug
- (4) Insert
- (5) Rubwasher
- (6) Snap ring
- (7) Wave generator hub

Structure of Oldham's coupling

Fig. 026-2



Sold & Serviced By:



Toll Free Phone (877) SERV098

www.electromate.com

sales@electromate.com

Maximum hole diameter of wave generator

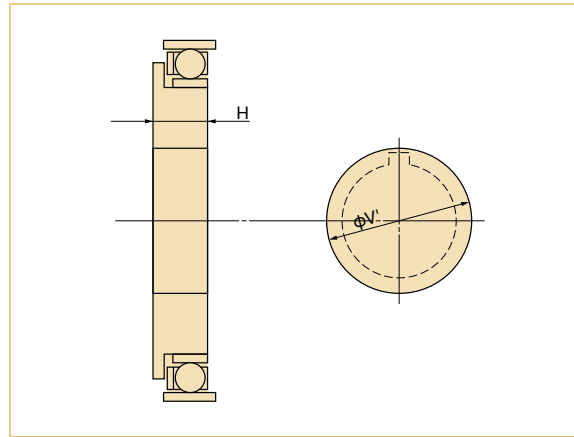
The standard hole dimension of the wave generator is shown for each size. The dimension can be changed within a range up to the maximum hole dimension. We recommend the dimension of keyway based on JIS standard. It is necessary that the dimension of keyways should sustain the transmission torque.

* Tapered holes are also available.

In cases where a larger hole is required, use the wave generator without the Oldham coupling. The maximum diameter of the hole should be considered to prevent deformation of the Wave Generator plug by load torque. The dimension is shown in the table below and includes the dimension of depth of keyway. (This is the value including the dimension of the depth of keyway.)

Hole diameter of the wave generator

Fig. 027-1



Hole diameter of the wave generator hub with Oldham coupling

Table 027-1
Unit: mm

Size	8	11	14	17	20	25	32	40	45	50	58	65	80	90	100
Standard dim. (H7)	3	5	6	8	9	11	14	14	19	19	22	24	28	28	28
Minimum hole dim.	—	—	3	4	5	6	6	10	10	10	13	16	16	19	22
Maximum hole dim.	—	—	8	10	13	15	15	20	20	20	25	30	35	37	40

Maximum hole diameter without Oldham Coupling

Table 027-2
Unit: mm

Size	8	11	14	17	20	25	32	40	45	50	58	65	80	90	100
Max. hole dia. φV'	10	14	17	20	23	28	36	42	47	52	60	67	72	84	95
Min. plug thick. H _{g,1}	5.7	6.7	7.2	7.6	11.3	11.3	13.7	15.9	17.8	19	21.4	23.5	28.5	31.3	34.9

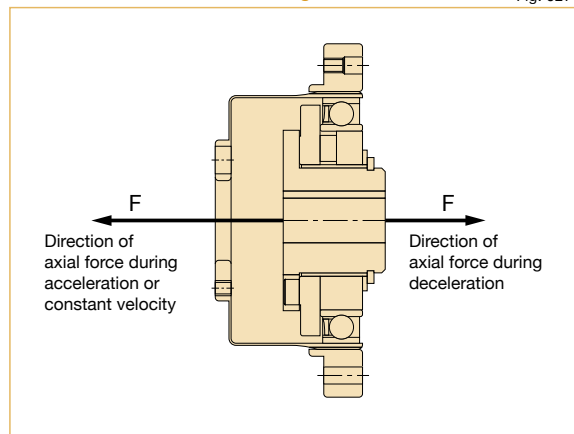
Axial Force of Wave Generator

When the gear is used to accelerate a load, the deflection of the Flexspline leads to an axial force acting on the Wave Generator. This axial force, which acts in the direction of the closed end of the Flexspline, must be supported by the bearings of the input shaft (motor shaft). When the gear is used to decelerate a load, an axial force acts to push the Wave Generator out of the Flexspline cup. Maximum axial force of the Wave Generator can be calculated by the equation shown below. The axial force may vary depending on its operating condition. The value of axial force tends to be a larger number when using high torque, extreme low speed and constant operation. The force is calculated (approximately) by the equation. In all cases, the Wave Generator must be axially (in both directions), as well as torsionally, fixed to the input shaft.

(Note)
Please contact us for further information on attaching the Wave Generator to the input (motor) shaft.

Axial force direction of the wave generator

Fig. 027-2



Formula for Axial Force

Table 027-3

Reduction ratio	Calculation formula
30	$F = 2 \times \frac{T}{D} \times 0.07 \times \tan 32^\circ$
50	$F = 2 \times \frac{T}{D} \times 0.07 \times \tan 30^\circ$
80 or more	$F = 2 \times \frac{T}{D} \times 0.07 \times \tan 20^\circ$

Symbols for Formula

Table 027-4

F	Axial force	N	See Figure 027-2
D	Size	m	
T	Output torque	Nm	

Calculation example

Formula 027-1

Model name: CSF series
 Size: 32
 Reduction ratio: 50
 Output torque: 382 Nm
 (maximum allowable momentary torque)

$$F = 2 \times \frac{382}{(32 \times 0.00254)} \times 0.07 \times \tan 30^\circ$$

F = 380N

Assembly Precautions

Sealing

Sealing is needed to maintain the high durability of the gear and prevent grease leakage. Recommended for all mating surfaces, if the o-ring is not used. Flanges provided with o-ring grooves must be sealed when a proper seal cannot be achieved using the o-ring alone.

- Rotating Parts Oil seal with spring is needed.
- Mating flange O-ring or seal adhesive is needed.
- Screw hole area Screws should have a thread lock (LOCTITE® 242 is recommended) or seal adhesive.

(Note) If you use Harmonic Grease 4BNo.2, strict sealing is required.

Sealing recommendations for gear units

Table 028-1

Area requiring sealing		Recommended sealing method
Output side	Holes which penetrate housing	Use O-ring (supplied with the product)
	Installation screw / bolt	Screw lock adhesive which has effective seal (LOCTITE® 242 is recommended)
Input side	Flange surfaces	Use O-ring (supplied with the product)
	Motor output shaft	Please select a motor which has an oil seal on the output shaft.

Assembly precautions

The wave generator is installed after the flexspline and circular spline. If the wave generator is not inserted into the flexspline last, gear teeth scuffing damage or improper eccentric gear mesh may result. Installation resulting in an eccentric tooth mesh (Dedoidal) will cause noise and vibration, and can lead to early failure of the gear. For proper function, the teeth of the flexspline and Circular Spline mesh symmetrically.

■ Precautions on the wave generator

1. Avoid applying undue axial force to the wave generator during installation. Rotating the wave generator bearing while inserting it is recommended and will ease the process.
2. If the wave generator does not have an Oldham coupling, extra care must be given to ensure that concentricity and inclination are within the specified limits

■ Precautions on the circular spline

The circular Spline must not be deformed in any way during the assembly. It is particularly important that the mounting surfaces are prepared correctly

1. Mounting surfaces need to have adequate flatness, smoothness, and no distortion.
2. Especially in the area of the screw holes, burrs or foreign matter should not be present.
3. Adequate relief in the housing corners is needed to prevent interference with the corner of the circular spline.
4. The circular spline should be rotatable within the housing. Be sure there is not interference and that it does not catch on anything.
5. When a bolt is inserted into a bolt hole during installation, make sure that the bolt fits securely and is not in an improper position or inclination.
6. Do not apply torque at recommended torque all at once. First, apply torque at about half of the recommended value to all bolts, then tighten at recommended torque. Order of tightening bolts must be diagonal.
7. Avoid pinning the circular spline if possible as it can reduce the rotational precision and smoothness of operation.

■ Precautions on the flexspline

1. Mounting surfaces need to have adequate flatness, smoothness, and no distortion.
2. Especially in the area of the screw holes, burrs or foreign matter should not be present.
3. Adequate clearance with the housing is needed to ensure no interference especially with the major axis of flexspline
4. Bolts should rotate freely when installing through the mounting holes of the flexspline and should not have any irregularity due to the shaft bolt holes being misaligned or oblique.
5. Do not tighten the bolts with the specified torque all at once. Tighten the bolts temporarily with about half the specified torque, and then tighten them to the specified torque. Tighten them in an even, crisscross pattern.
6. The flexspline and circular spline are concentric after assembly. After installing the wave generator bearing, if it rotates in unbalanced way, check the mounting for dedoidal or non-concentric installation.
7. Care should be taken not to damage the flexspline diaphragm or gear teeth during assembly.
Avoid hitting the tips of the flexpline teeth and circular spline teeth. Avoid installing the CS from the open side of the flexspline after the wave generator has been installed.

■ Rust prevention

Although the Harmonic Drive® gears come with some corrosion protection, the gear can rust if exposed to the environment. The gear external surfaces typically have only a temporary corrosion inhibitor and some oil applied. If an anti-rust product is needed, please contact us to review the options.

Sold & Serviced By:
 **ELECTROMATE**
 Toll Free Phone (877) SERV098
www.electromate.com
sales@electromate.com

"Dedoidal" state

It is normal for the flexspline to engage with the circular spline symmetrically as shown in Figure 029-1. However, if the ratcheting phenomenon, which is described on Page 013, is caused or if the three parts are forcibly inserted and assembled, engagement of the teeth may be out of alignment as shown in Figure 029-2. This is called "dedoidal". Note: Early failure of the gear will occur.

How to check "dedoidal"

By performing the following methods, check whether the gear engagement is "dedoidal".

(1) Judging by the irregular torque generated when the wave generator turns

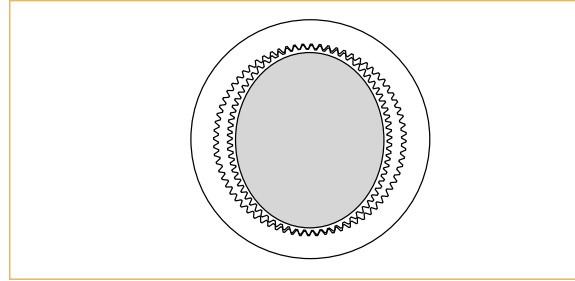
- 1) Slowly turn the input shaft with your hand in a no-load condition. If you can turn it with average force, it is normal. If it turns irregularly, it may be "dedoidal".
- 2) Turn the wave generator in a no-load condition if it is attached to a motor. If the average current value of the motor is about 2 to 3 times the normal value, it may be "dedoidal".

(2) Judging by measuring vibration on the body of the flexspline

The scale deflection of the dial gauge draws a sine wave as shown by the solid line in Graph 029-3 when it is normally assembled. When "dedoidal" occurs, the gauge draws a deflected wave shown by the dotted line as the flexspline is out of alignment.

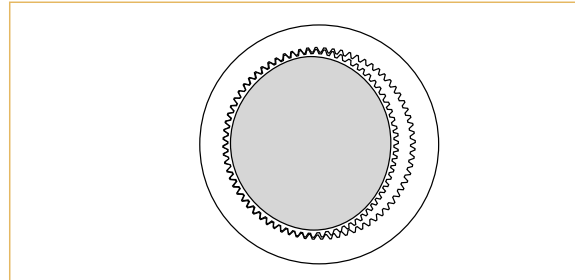
Normal engagement status

Fig. 029-1



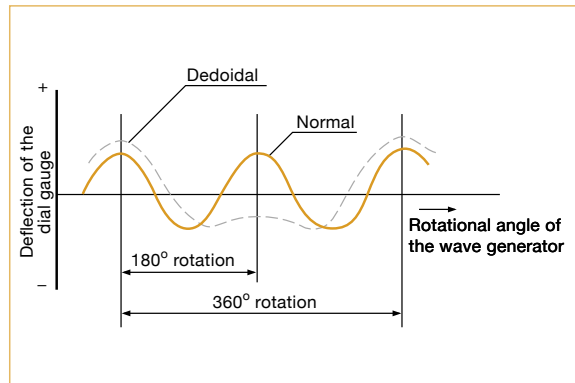
"Dedoidal" status

Fig. 029-2



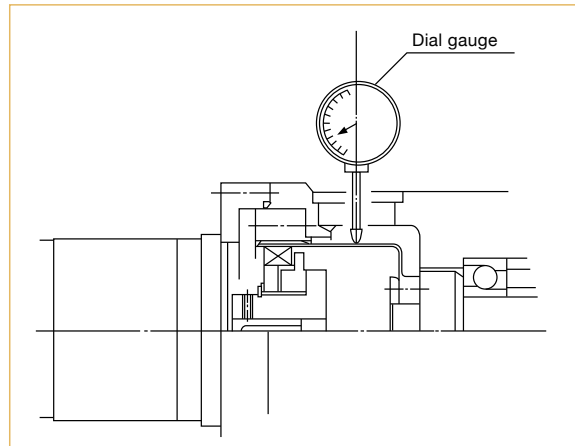
Deflection of the dial gauge

Graph 029-3



Measuring the deflection on the body of the flexspline

Fig. 029-4



Sold & Serviced By:

Toll Free Phone (877) SERV098

www.electromate.com
sales@electromate.com

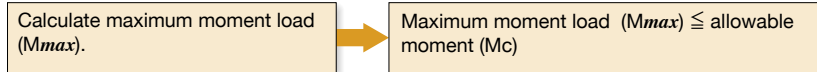
Checking Output Bearing

A precision cross roller bearing is built in the unit type and the gear head type to directly support the external load (output flange) (precision 4-point contact ball bearing for the CSF-mini series). Please calculate maximum moment load, life of cross roller bearing, and static safety factor to fully maximize the performance of a housed unit (gearhead).

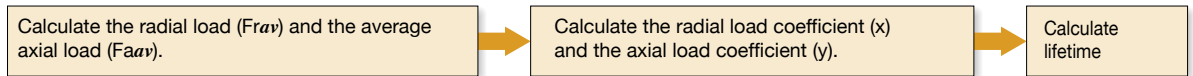
- See the corresponding pages on each series for cross roller bearing specifications.

Checking procedure

(1) Checking the maximum moment load (M_{max})



(2) Checking the life



(3) Checking the static safety coefficient



How to calculate the maximum moment load

Maximum moment load (M_{max}) is obtained as follows. Make sure that $M_{max} \leq Mc$.

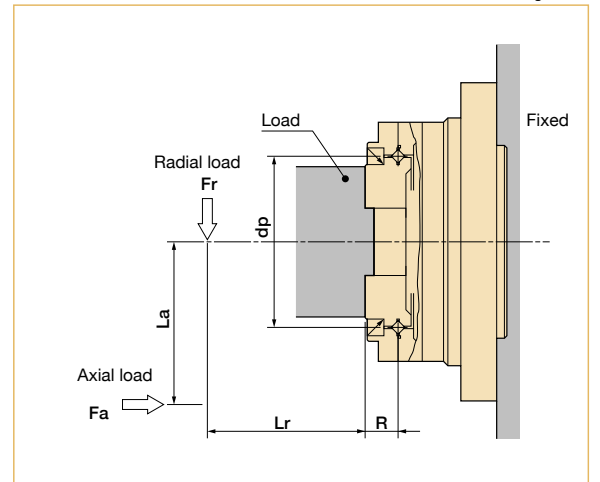
Formula 030-1

$$M_{max} = Fr_{max} (L_r + R) + Fa_{max} \cdot La$$

Symbols for Formula 030-1

		Table 030-1	
Fr_{max}	Max. radial load	N(kgf)	See Fig. 030-1.
Fa_{max}	Max. axial load	N(kgf)	See Fig. 030-1.
L_r, La	—	m	See Fig. 030-1.
R	Offset amount	m	See Fig. 030-1 and "Specification of the output bearing" of each series.

External load influence diagram



Sold & Serviced By:



Toll Free Phone (877) SERV098

www.electromate.com

sales@electromate.com

How to calculate the average load

(Average radial load, average axial load, average output speed)

When the radial load and axial load vary, the life of cross roller bearing can be determined by converting to an average load.

How to calculate the average radial load (F_{rav})

Formula 031-1

(Cross roller bearing)

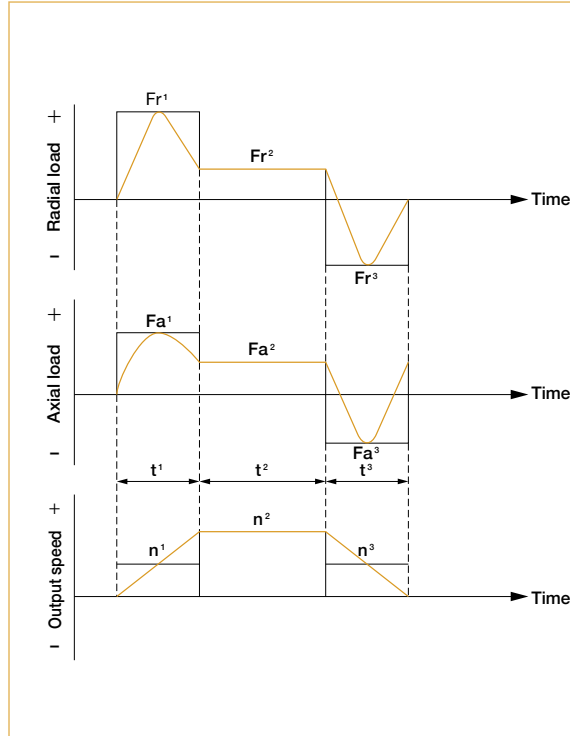
$$F_{rav} = \sqrt[10/3]{\frac{n_1 t_1 (IF_{r1})^{10/3} + n_2 t_2 (IF_{r2})^{10/3} \dots + n_n t_n (IF_{rn})^{10/3}}{n_1 t_1 + n_2 t_2 \dots + n_n t_n}}$$

(4-point contact ball bearing)

$$F_{rav} = \sqrt[3]{\frac{n_1 t_1 (IF_{r1})^3 + n_2 t_2 (IF_{r2})^3 \dots + n_n t_n (IF_{rn})^3}{n_1 t_1 + n_2 t_2 \dots + n_n t_n}}$$

Note that the maximum radial load in t_1 is Fr_1 and the maximum radial load in t_3 is Fr_3 .

Graph 031-1



How to calculate the average axial load (F_{aav})

Formula 031-2

(Cross roller bearing)

$$F_{aav} = \sqrt[10/3]{\frac{n_1 t_1 (IF_{a1})^{10/3} + n_2 t_2 (IF_{a2})^{10/3} \dots + n_n t_n (IF_{an})^{10/3}}{n_1 t_1 + n_2 t_2 \dots + n_n t_n}}$$

(4-point contact ball bearing)

$$F_{aav} = \sqrt[3]{\frac{n_1 t_1 (IF_{a1})^3 + n_2 t_2 (IF_{a2})^3 \dots + n_n t_n (IF_{an})^3}{n_1 t_1 + n_2 t_2 \dots + n_n t_n}}$$

Note that the maximum axial load in t_1 is Fa_1 and the maximum axial load in t_3 is Fa_3 .

How to calculate the average output speed (N_{av})

Formula 031-3

$$N_{av} = \frac{n_1 t_1 + n_2 t_2 \dots + n_n t_n}{t_1 + t_2 \dots + t_n}$$

How to calculate the radial load coefficient (X) and axial load coefficient (Y)

Formula 031-4

How to calculate the load coefficient	X	Y
$\frac{F_{aav}}{F_{rav} + 2(F_{rav}(Lr+R) + F_{rav} \cdot La) / dp} \leq 1.5$	1	0.45
$\frac{F_{aav}}{F_{rav} + 2(F_{rav}(Lr+R) + F_{rav} \cdot La) / dp} > 1.5$	0.67	0.67

Symbols for Formula 031-4

Table 031-1

Symbol	Description	Unit	Reference
F_{rav}	Average radial load	N(kgf)	See "How to calculate the average load." See Formula 031-1.
F_{aav}	Average axial load	N(kgf)	See "How to calculate the average load." See Formula 031-2.
Lr, La	_____	m	See fig. 030-1
R	Offset amount	m	See Fig. 030-1 and "Main roller bearing specifications" of each series
dp	Pitch circle diameter of a roller	m	See Fig. 030-1 and "Specification of the output bearing" of each series.

Life of the output bearing

Calculate life of the output bearing by Formula 032-1.
 You can calculate the dynamic equivalent radial load (Pc) by Formula 032-2.

Formula 032-1

(Cross roller bearing)

$$L_{10} = \frac{10^6}{60 \times N_{av}} \times \left(\frac{C}{f_w \cdot P_c} \right)^{10/3}$$

(4-point contact ball bearing)

$$L_{10} = \frac{10^6}{60 \times N_{av}} \times \left(\frac{C}{f_w \cdot P_c} \right)^3$$

Formula 032-2

$$P_c = X \cdot \left(F_{rav} + \frac{2(F_{rav}(L_r+R) + F_{rav} \cdot L_a)}{d_p} \right) + Y \cdot F_{aav}$$

Symbols for Formula 032-1

Table 032-1

L ₁₀	Life	hour	---
N _{av}	Average output rated load speed	rpm	See "How to calculate the average load."
C	Basic dynamic rated load	N (kgf)	See "Specification of the output bearing" of each series.
P _c	Dynamic equivalent	N (kgf)	See Formula 032-2.
f _w	Load coefficient	--	See Table 032-3.

Symbols for Formula 032-2

Table 032-2

F _{rav}	Average radial load	N (kgf)	See "How to calculate the average load." See Formula 031-1.
F _{aav}	Average axial load	N (kgf)	See "How to calculate the average load." See Formula 031-2.
d _p	Pitch circle diameter	m	See Fig. 030-1 and "Specification of the output bearing" of each series.
X	Radial load coefficient	--	See Formula 031-4.
Y	Axial load coefficient	--	See Formula 031-4.
L _r , L _a	---	m	See Figure 030-1.
R	Offset	m	See Fig. 030-1 and "Specification of the output bearing" of each series.
M _{ave}	Average moment load	Nm	

Load coefficient

Table 032-3

Load status	f _w
Steady operation without impact and vibration	1 to 1.2
Normal operation	1.2 to 1.5
Operation with impact and vibration	1.5 to 3

How to calculate life during oscillating motion

Calculate the life of the cross roller bearing during oscillating motion by Formula 033-1.

Fig. 033-1

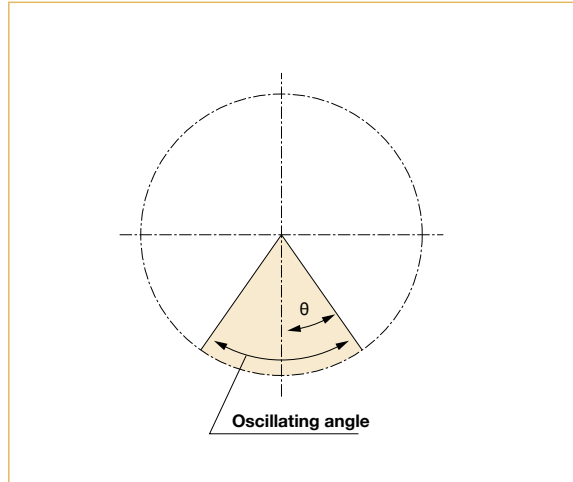
Formula 033-1

(Cross roller bearing)

$$L_{oc} = \frac{10^6}{60 \times n1} \times \frac{90}{\theta} \times \left(\frac{C}{f_w \cdot P_c} \right)^{10/3}$$

(4-point contact ball bearing)

$$L_{oc} = \frac{10^6}{60 \times n1} \times \frac{90}{\theta} \times \left(\frac{C}{f_w \cdot P_c} \right)^3$$



(Note) A small angle of oscillation (less than 5 degrees) may cause fretting corrosion to occur since lubrication may not circulate properly. Contact us if this happens.

Symbols for Formula 033-1

Table 033-1

Loc	Rated life for oscillating motion	hour	---
n1	Round trip oscillation each minute	cpm	---
C	Basic dynamic rated load	N (kgf)	---
Pc	Dynamic equivalent radial load	N (kgf)	See Formula 032-2.
f _w	Load coefficient	--	See Table 032-3.
θ	Oscillating angle /2	Degree	See Fig. 033-1.

Sold & Serviced By:



Toll Free Phone (877) SERV098

www.electromate.com

sales@electromate.com

How to calculate the static safety coefficient

Basic static rated load is an allowable limit for static load, but its limit is determined by usage. In this case, static safety coefficient of the cross roller bearing can be calculated by Formula 034-2.

Formula 034-1

$$f_s = \frac{C_o}{P_o}$$

Formula 034-2

$$P_o = F_{rmax} + \frac{2M_{max}}{d_p} + 0.44F_{amax}$$

Symbols for Formula 034-1

Table 034-1

C_o	Basic static rated load	N(kgf)	See "Specification of the output bearing" of each series.
P_o	Static equivalent radial load	N(kgf)	See Formula 034-2.

Symbols for Formula 034-2

Table 034-2

F_{rmax}	Max. radial load	N(kgf)	See "How to calculate the maximum moment load" on Page 030.
F_{amax}	Max. axial load	N(kgf)	
M_{max}	Max. moment load	Nm(kgfm)	
d_p	Pitch circle diameter of a roller	m	See Fig. 030-1 and "Specification of the output bearing" of each series.

Static Safety Coefficient

Table 034-3

Operating condition of the roller bearing	f_s
When high rotation precision is required	≥ 3
When shock and vibration are expected	≥ 2
Under normal operating condition	≥ 1.5

Sold & Serviced By:



Toll Free Phone (877) SERV098

www.electromate.com

sales@electromate.com

Sold & Serviced By:



Toll Free Phone (877) SERV098
www.electromate.com
sales@electromate.com