



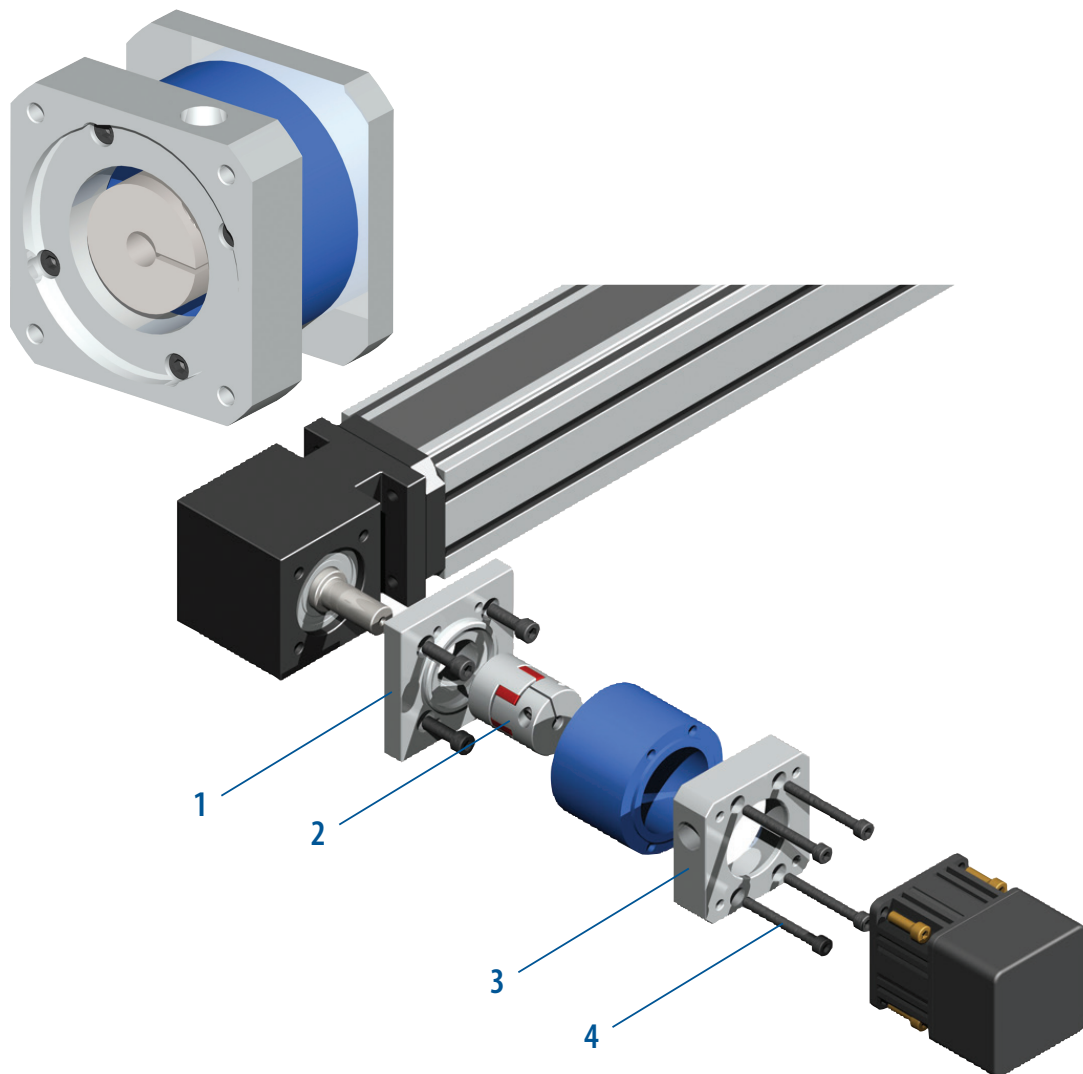
## ▶ LINEAR MOUNT: LINEAR SLIDE KIT (LSK)

### GAM can.

If you don't see exactly what you need, let us know. We can modify the LSK to meet your needs.

Our no-hassle solution for mounting linear slides to motors and gearboxes is our LSK (Linear Slide Kit.) It can be customized to any motor or gearbox and linear slide. A coupling is included – bellows or elastomer. The LSK is readily available and comes complete with mounting hardware. You just need to tighten the bolts.

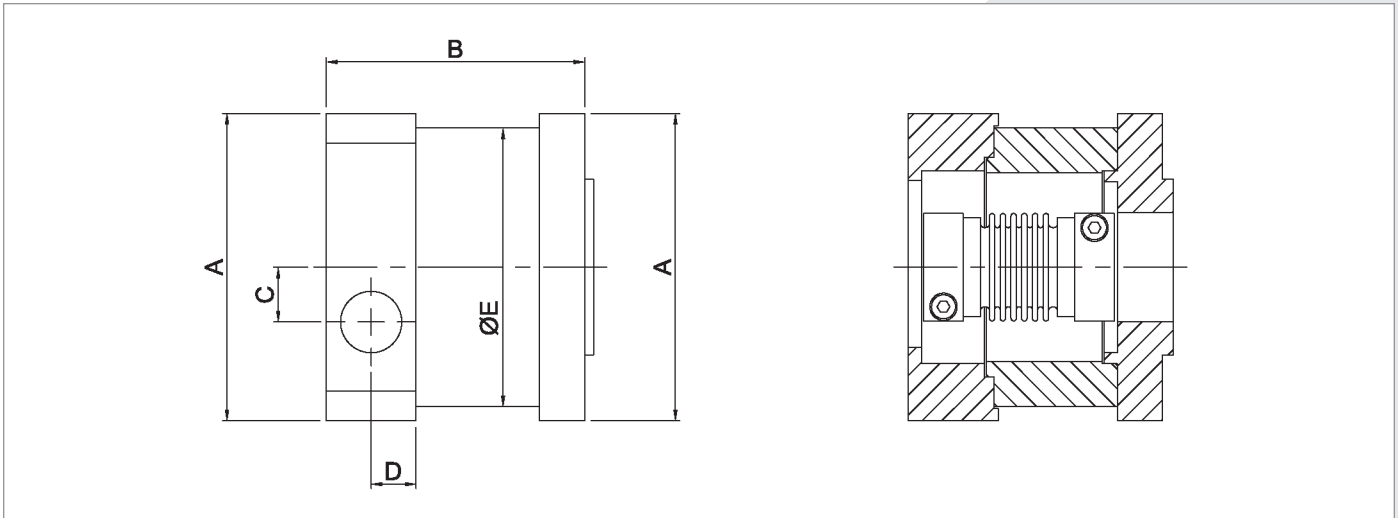
- A customized mounting solution without the long lead times
- Three sizes
- Quick delivery
- Reasonably priced
- GAM provides all engineering and design for your application
- 2D/3D configurable LSK models now available at [www.gamweb.com](http://www.gamweb.com)



**Just tell us what motor and what module you want to mount and GAM will take care of all the engineering.**

- |   |   |
|---|---|
| 1. Slide Adapter Flange<br>(Custom adapter for any linear slide module) | 3. Motor Adapter Flange<br>(Custom adapter for any servo motor) |
| 2. Coupling<br>(Custom machined coupling with or without keyways)       | 4. Hardware<br>(All mounting hardware provided in kit)          |

# ▶ LINEAR MOUNT: LINEAR SLIDE KIT (LSK)



	Coupling Type	Rated Torque Nm (lb-in)	Min Shaft Diameter mm (in)	Max Shaft Diameter mm (in)	Coupling Stiffness 10 <sup>3</sup> Nm/rad (lb-ft/deg)	Coupling Inertia 10 <sup>-3</sup> kgm <sup>-2</sup> (lb-in <sup>-2</sup> )	Amin mm (in)	Bmin mm (in)	E mm (in)
LSK21	Bellows	4 (35)	3 (0.12)	14* (0.55)	1.8 (23)	0.003 (0.01)	70 (2.75)	62 (2.44)	63.5 (2.50)
LSK22	Bellows	8 (71)	6 (0.24)	19.05* (0.75)	6.5 (84)	0.02 (0.07)	70 (2.75)	70 (2.75)	63.5 (2.50)
LSK23	Elastomer	8 (71)	6 (0.24)	16* (0.63)	0.16 (2.1)	0.01 (0.03)	70 (2.75)	62 (2.44)	63.5 (2.50)
LSK31	Elastomer	15 (133)	9.53 (0.375)	19.05* (0.75)	0.82 (10.6)	0.03 (0.10)	88.9 (3.50)	74 (2.91)	88.9 (3.50)
LSK32	Bellows	25 (221)	9.53 (0.375)	28* (1.10)	12 (154)	0.09 (0.31)	88.9 (3.50)	81 (3.19)	88.9 (3.50)
LSK33	Elastomer	30 (266)	12.7 (0.50)	26* (1.02)	1.4 (18)	0.09 (0.31)	88.9 (3.50)	74 (2.91)	88.9 (3.50)
LSK41	Bellows	50 (443)	15 (0.59)	35* (1.38)	22 (282)	0.22 (0.75)	120 (4.72)	86 (3.39)	114.3 (4.50)
LSK42	Elastomer	60 (531)	15 (0.59)	29* (1.14)	2.1 (27)	0.18 (0.62)	120 (4.72)	86 (3.39)	114.3 (4.50)
LSK43	Bellows	125 (1106)	16 (0.625)	44* (1.73)	44 (565)	0.75 (2.56)	120 (4.72)	95 (3.74)	114.3 (4.50)
LSK44	Elastomer	150 (1328)	22 (0.87)	38.1* (1.50)	3.6 (46)	0.38 (1.30)	120 (4.72)	105 (4.13)	114.3 (4.50)

\* An extra adapter may be required for a C-face mounting (motor or gearbox side only)

## TYPE CODES FOR LSK SERIES

Example: LSK32K-0001

LSK Size  
2, 3, 4

Coupling Size / Style  
1, 2, 3, 4

Series Number  
Assigned by GAM

Keyways\*  
(N= No Keyways,  
K= Keyways)  
\*Full keyway not available  
for max shaft diameter  
Contact GAM for other  
options