

Sold & Serviced By:



Toll Free Phone (877) SERV098
Toll Free Fax (877) SERV099
www.electromate.com
sales@electromate.com

NANO



MicroE
Encoders

PRODUCT DATA SHEET

Optira™ Series Encoders

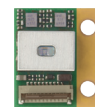
Miniature Precision
Encoders for the World's
Smallest Spaces

By combining the patented PurePrecision™ optical encoder technology from MicroE with state-of-the-art electronics and signal processing, the Optira Series delivers unprecedented performance in an incredibly small and lightweight package.

➤ CELERAMOTION.COM



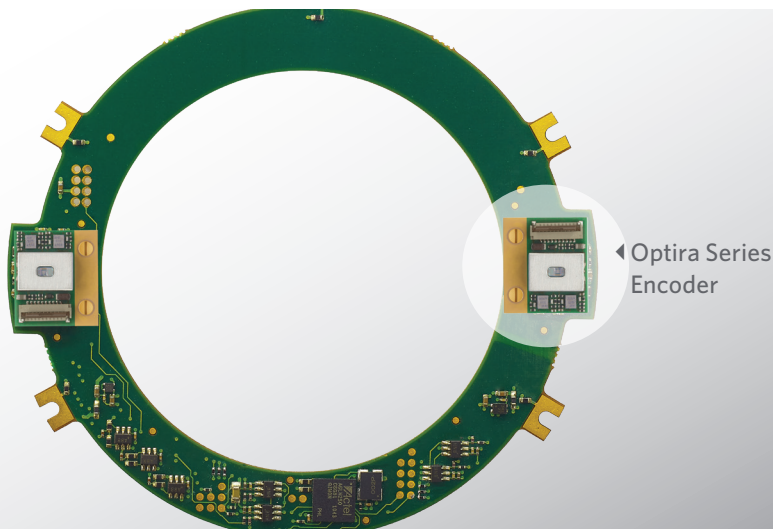
Actual Size



11.4 x 13 mm

Optira™ Series Encoders

Miniature Precision Encoders for the World's Smallest Spaces



Smaller and Smarter.

Optira is the only encoder in its size class that offers up to 5 nm resolution with all interpolation, AGC, and signal processing performed in the sensor head. No additional PCBs, adapters, or dongles are required for operation.

Patented PurePrecision™ optical technology and industry-leading alignment tolerances from our MicroE encoders make Optira's miniature sensor head extremely easy to install. Optira's two mounting options, industry standard analog and digital incremental encoder outputs, and standard FFC connector provide the durability and flexibility needed by designers of miniature precision motion control systems.

Optira is engineered to deliver industry-leading low power consumption. A 3.3 VDC version is offered, making it ideal for battery-powered precision instruments.

Compatibility with our wide range of linear and rotary gratings and scales enables a miniature installation footprint.

Benefits

- Miniature footprint; interpolation and signal processing in sensor head
- Mechanical and PCB-mount options
- Easy installation
- Simple and flexible cabling/ connectivity
- Durable mechanical and electrical design
- Multiple linear and rotary grating/ scale options
- Alignment/ Status LED in sensor head
- Optional connector board for index calibration and connector flexibility

SPECIFICATIONS

Dimensions:	11.4 x 13.0 x 3.7 mm
Interfaces:	A-quad-B digital or 1 Vpp Sin/Cos analog
Resolution: (Interpolation in Sensor Head)	5 μm – 5 nm (linear) 2,000 CPR – 75M CPR (rotary)
Accuracy Class:	+/- 1 μm (linear glass) +/- 5 μm (linear metal tape) +/- 2 arc-seconds (rotary)
Input Voltage:	3.3 VDC or 5 VDC
Supply Current:	130 mA with 120Ω across A, B, I 100 mA with 120Ω across Sin/Cos, IW
Max Speed:	4 m/s
Index:	IW for analog and 5 μm digital LSB for 2.5 μm digital and above
Outputs:	Sin/Cos or A-quad-B, Index, Alarm
Status LED:	Yes
Operating Environment:	Atmospheric (standard) Vacuum version available
Scale Pitch:	20 μm
Repeatability: (Hysteresis)	≤ 1 LSB
Typical Sub-Divisional Error (SDE):	< 100 nm RMS
Weight:	< 1.5 g
Grating Compatibility:	Linear and Rotary

Specifications subject to change.

RoHS
CE



MicroE
Encoders

Sold & Serviced By:
ELECTROMATE
Toll Free Phone (877) SERV098
Toll Free Fax (877) SERV099
www.electromate.com
sales@electromate.com

2

Optira™ Series Encoders

Miniature Precision Encoders for the World's Smallest Spaces

Specifications

System

Scales

Optira Series Encoders are compatible with Optira Tape, Linear Glass, and Rotary Glass Scales

Scale Pitch 20 µm

System Resolution

5 µm, 2.5 µm, 1µm, 0.5 µm, 0.2 µm, 0.1 µm, 50 nm, 20 nm, 10nm, 5nm.
Analog 1 Vpp
2,000 CPR - 75M CPR (rotary)
(Specify resolution at time of ordering)

Accuracy

Tape	SDE:	<100 nm RMS
	Linearity:	<±5 µm (max/meter)
	Slope:	<±150 µm/m
Linear Glass	SDE:	<100 nm RMS
	Total Accuracy:	<±1 µm/m ¹
Rotary Glass	Total Accuracy:	±2 arc-seconds ²

Sensor Size and Weight

	Length	Width	Height
Dimensions (mm):	13.0	11.4	3.7
Weight:	<1.5 g sensor head		

Sensor Cable

ZIF Flat Flexible Cable (FFC) 10 pins, lengths up to 5 m

Reliability Information

MTBF > 200,000 hours under normal operating conditions (calculated using MIL-STD-217)

Notes

1. 130 mm or less
2. 125 mm diameter, excludes eccentricity

Maximum Velocity (Digital)³

CONTROLLER RECOMMENDED AQB MAXIMUM STATE RATE (MEGASTATES/SEC)	ACTUAL ENCODER AQB MAXIMUM STATE RATE (MEGASTATES/SEC)	5000	2500	1000	500	200	100	50	20	10	5	RESOLUTION (NM)
		4	8	20	40	100	200	400	1000	2000	4000	
20	14.50	4000	4000	4000	4000	2900	1450	300	290	145	72	Maximum Velocity (mm/s)
10	7.25	4000	4000	4000	3625	1450	725	300	145	72	36	
5	3.63	4000	4000	3625	1812	725	362	181	72	36	18	
2	1.45	4000	3625	1450	725	290	145	72	29	14	7	
1	0.73	3625	1812	725	362	145	72	36	14	7	3	

Notes

3. Maximum velocity (before Overspeed Buffer Protection) vs. interpolation depth. Contact Celera Motion to discuss higher speed applications.
4. Optira implements Overspeed Buffer Protection (OBP). No AqB counts are lost for velocities below 4830 mm/s even if the maximum specified state rate is exceeded. If the velocity exceeds the specified state rate, the AqB counts are buffered (buffer length = 21 m at 4000x interpolation depth) and transmitted at the specified state rate.
5. The ALARM bit sets TRUE at 4 m/s, however, Optira will continue to produce valid AqB outputs up to 6 m/s although accuracy specifications are no longer guaranteed.

Maximum Velocity (Analog)

Sine/Cosine Vector Magnitude: >0.5 Vpp at 4 m/s



MicroE
Encoders

Operating and Electrical Specifications

Agency Standards Compliance

In accordance with Electromagnetic Compatibility Directive 2004/108/EC:

EN 55011, Class B:	Radiated Emissions	CE
EN 61000-4-3:	Radiated Immunity	
EN 60068-2-6:	Vibration	
EN 60068-2-27:	Mechanical Shock	

Power Supply Current

AquadB, 3.3 and 5 VDC 45%:	<130 mA with 120Ω across A, B, I <75 mA with no load
Analog, 3.3 and 5 VDC 45%:	<100 mA with 120Ω across Sin/Cos, I/W <75 mA with no load
Ready Time:	<0.5 s once power >4.5 V

Temperature

Operating:	0°C to 70°C
Storage:	-20°C to 85°C

Humidity

Operating:	Up to 85% RH, non-condensing
Storage:	Up to 85% RH, non-condensing

Vibration

10 g, 55 Hz to 2 KHz

Mechanical Shock

500 m/s², 6 ms, ½ sine

Outputs

Digital AquadB: A, B, and Index outputs are differential
Alarm is single-ended open collector
Analog outputs are differential sine and cosine

Signal levels

A/B/I (differential): RS-422 compatible
A/B/I (single-ended): Voh min: Vcc - 0.4 VDC, Vol max: 0.4 VDC,
Alarm: Voh min: Vcc, Vol max: 0.4 VDC
Analog: 1 Vpp, 2.5 V offset @ 5 VDC, 1.65 V @ 3.3 VDC

Sold & Serviced By:

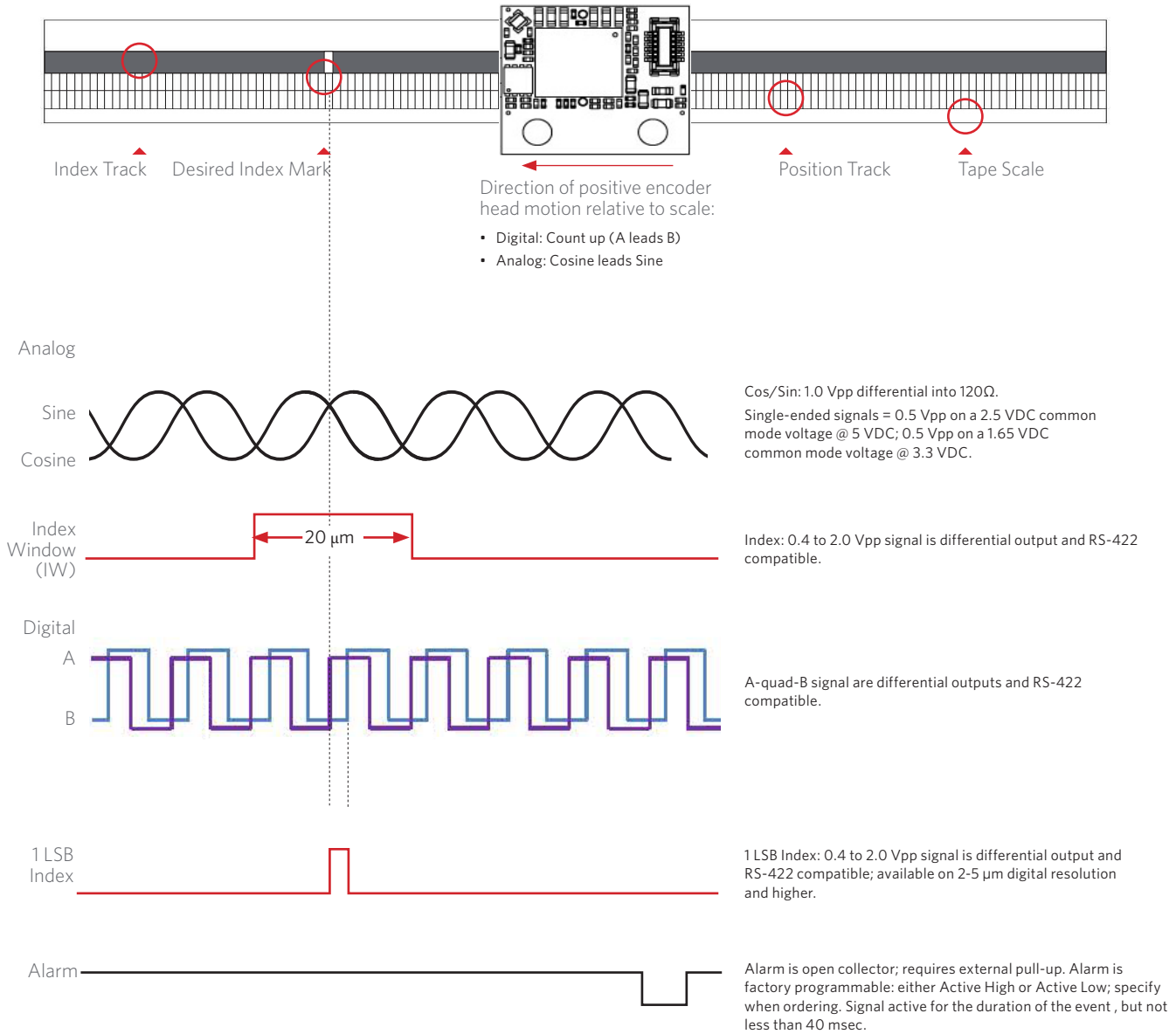


Toll Free Phone (877) SERV098
Toll Free Fax (877) SERV099
www.electromate.com
sales@electromate.com

Optira™ Series Encoders

Miniature Precision Encoders for the World's Smallest Spaces

Output Signals



Optira™ Series Encoders

Miniature Precision Encoders for the World's Smallest Spaces

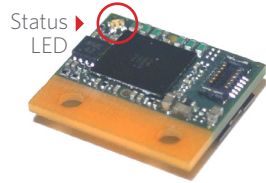
Optira Sensor

System Status LED (Version A)

Optira Series Encoders have a built-in Status LED that displays alignment quality, index/limits detection, and alarms.

LED indications for Index Detection

- LED flashes bright when passing over index
- LED stays bright if stopped over index



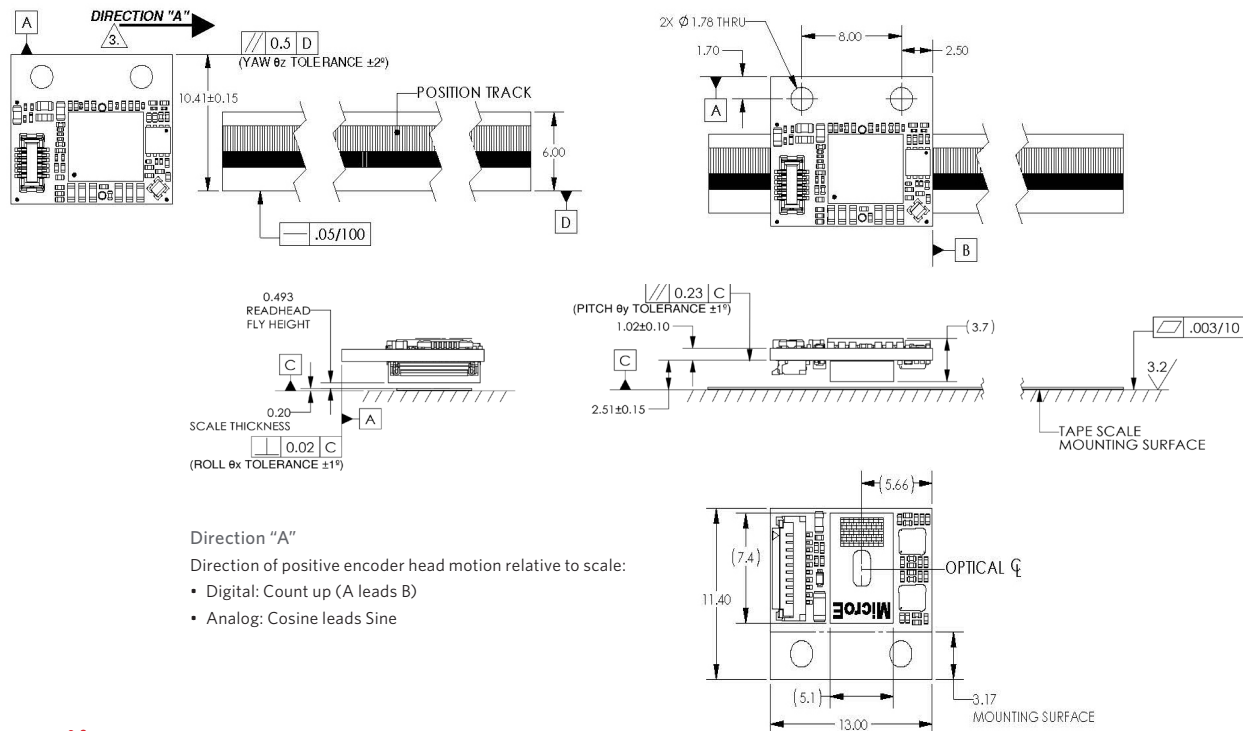
System Status LED (Version B)

Version B can be specified when there is a requirement for low ambient light. Version B operates identically to Version A on each power-up state facilitating sensor alignment. After 5 minutes, however, the LED operates as a fault indicator only.

If calibration is initiated after the 5 minute period the LED will blink as in Version A but will revert to alarm indication only after calibration is complete.

LED COLOR ¹	SYSTEM STATUS
● Green	Optimal alignment <ul style="list-style-type: none"> • Optimal position signal with minimum power consumption • Encoder system meets specification • Flashes bright when passing over index
● Greenish Yellow	Good alignment <ul style="list-style-type: none"> • Optimal position signal at specified power consumption • Encoder system meets specification
● Orange	Alignment could be improved but fully operational <ul style="list-style-type: none"> • Sensor is reading position with marginal signal strength • Encoder system functions but vector magnitude may not be 1 Vpp and SDE may exceed specification
● Red	Sensor fault <ul style="list-style-type: none"> • Sensor is reading position with weak signal strength, or • Power supply is less than 4.2 V (5 VDC), 2.8 V (3.3 VDC), or • Power supply is greater than 5.5 V (5 VDC), 3.8 V (3.3 VDC), or • Sensor moving faster than 5.8 m/s. • Encoder system may not function properly • Alarm signal will be asserted

Interface Drawing



MicroE
Encoders

Sold & Serviced By:
ELECTROMATE
 Toll Free Phone (877) SERV098
 Toll Free Fax (877) SERV099
www.electromate.com
sales@electromate.com

Optira™ Series Encoders

Miniature Precision Encoders for the World's Smallest Spaces

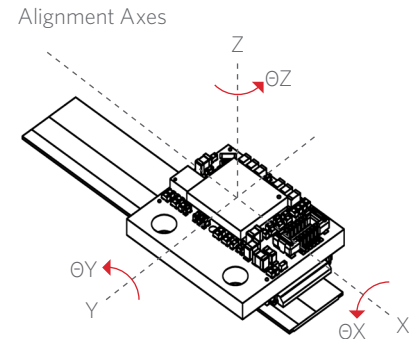
Optira Sensor

Wide Alignment Tolerances

The Optira Series Encoder utilizes MicroE's patented optical detector design to achieve industry-leading small sensor size and alignment tolerances. The compact sensor is easily installed without any alignment tools or oscilloscopes. To align and calibrate the sensor is a simple step-by-step process.

Optira Series Encoders Sensor Alignment Tolerances

AXIS	ALIGNMENT TOLERANCE
X	Direction of Motion
Y	±0.15 mm
Z	±0.15 mm
θx	±1.0°
θy	±1.0°
θz	±2.0°



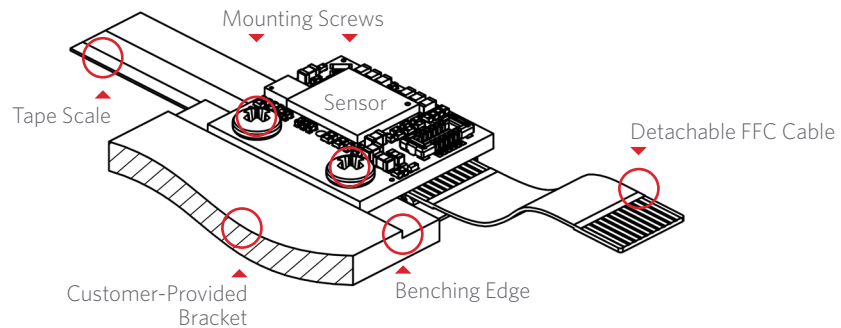
Sensor Mounting Options

There are two options for mounting the Optira sensor:

- 1 Mechanical mounting
- 2 Board-to-board connection to customer's PCB



Mechanical Mounting

The Optira sensor can be mounted directly to the customer's bracket or equivalent surface using two mounting screws.



Recommended Customer Required Parts

The following parts or their equivalents are recommended for the mechanical mounting of the Optira sensor:

ITEM	MOUNTING SCHEME		
Mounting Screws (2)	M1.6 or 0-80 screws: Philips-head screws are recommended. Do not use slotted-head screws which can cause the screwdriver to slip and damage components.	Torque specification: 0.34 Nm (3.0 inch-lbs) maximum.	Caution: Be careful tightening these screws to avoid damaging nearby components.
FFC Cable	Flexible Flat Cable (FFC): 0.5mm, Type 1, 10P. Maximum length of 5 m. J1 ZIF connector is Hirose® FH33J-10S-0.5SH(10).	If long flex cables are needed, contact Selmark Associates for Parlex® cables or contact another equivalent manufacturer.	For high mechanical stress environments, secure FFC to ZIF connectors using non-conductive epoxy.
ZIF Connector	Various FFC connectors: surface mount, ZIF, 10P, 0.5 mm pitch.		
Z-Height Shim Spacer	<ul style="list-style-type: none"> • Shim for installing sensor • Part of optional Development Kit 		
Applicator Tool	For tape scale installation 		



MicroE
Encoders

Sold & Serviced By:
ELECTROMATE
Toll Free Phone (877) SERV098
Toll Free Fax (877) SERV099
www.electromate.com
sales@electromate.com

Optira™ Series Encoders

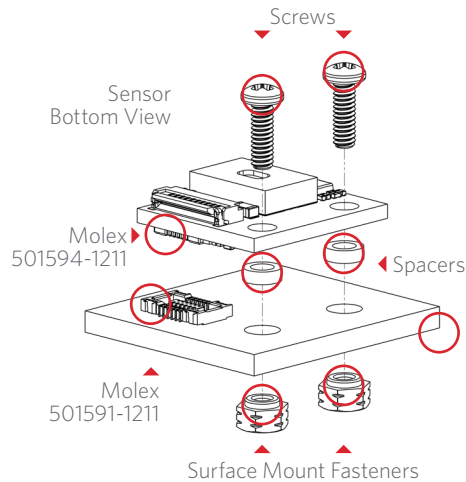
Miniature Precision Encoders for the World's Smallest Spaces

Optira Sensor

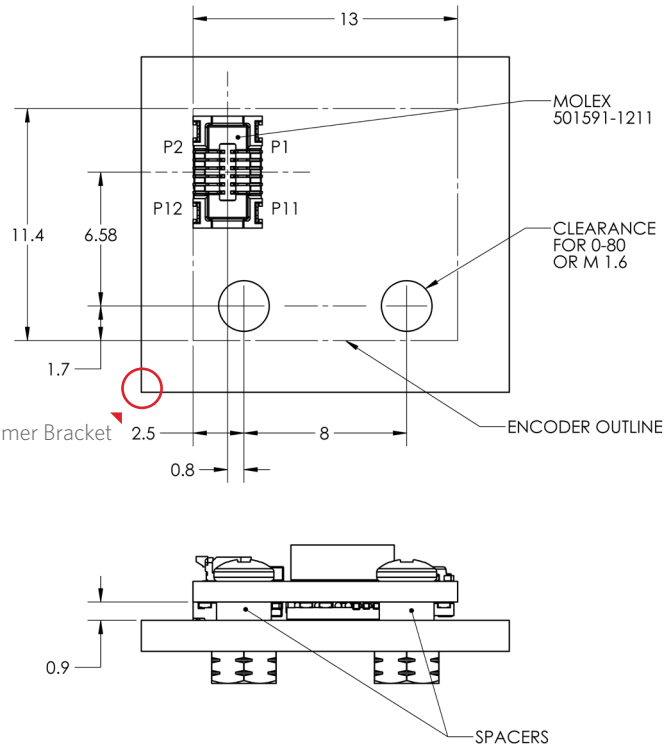
Sensor Mounting Options

Board-to-Board Mounting

The Optira sensor can be connected directly to the customer's PCB using the sensor board-to-board header mating connector JP1.



Reference Design for Mating Sensor to PCB



Recommended Customer Required Parts

The following parts or their equivalents are recommended for the mechanical mounting of the Optira sensor:

ITEM	MOUNTING SCHEME
Mounting Screws (2)	M1.6 or 0-80 screws: Philips-head screws are recommended. Do not use slotted-head screws which can cause the screwdriver to slip and damage components. Torque specification: 0.34 Nm (3.0 inch-lbs) maximum. Caution: Be careful tightening these screws to avoid damaging nearby components.
PC Mount Connector ¹	Molex® part number 501591-1211: 0.40 mm (.016") pitch; board-to-board vertical mating receptacle; mates to JP1 board-to-board connector (Molex part number 501594-1211) on sensor.
Spacers (2)	Diameter of spacers cannot exceed keep-out area of 3.17 mm (see Sensor Dimensions on page 5); height is 0.9 mm.
Surface Mount Fasteners (2)	MicroPEM® Fasteners: Type SMTSO .060-80 (#0-80) or equivalent

Notes¹

Header Mating: the header mating connector has a limited durability of 20 mating cycles maximum.



MicroE
Encoders

Sold & Serviced By:
ELECTROMATE
Toll Free Phone (877) SERV098
Toll Free Fax (877) SERV099
www.electromate.com
sales@electromate.com

Optira™ Series Encoders

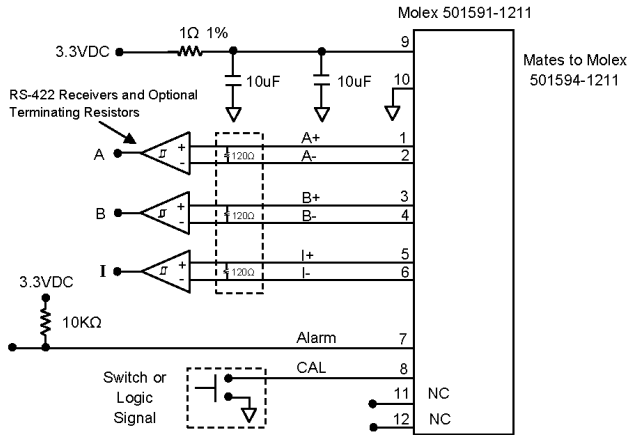
Miniature Precision Encoders for the World's Smallest Spaces

Optira Sensor

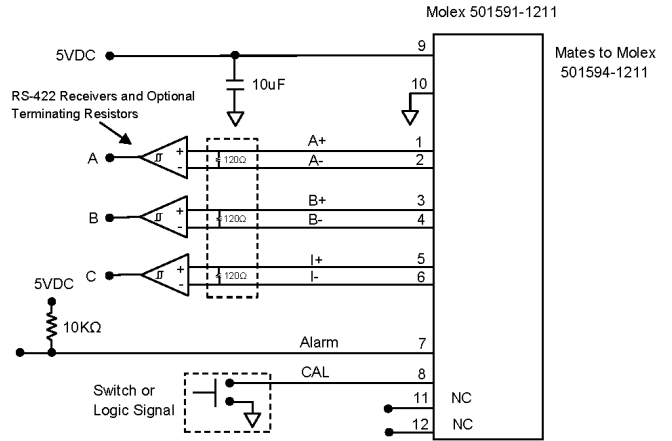
Header Examples

The following are sample customer circuits for connecting the Optira sensor using board-to-board mounting.

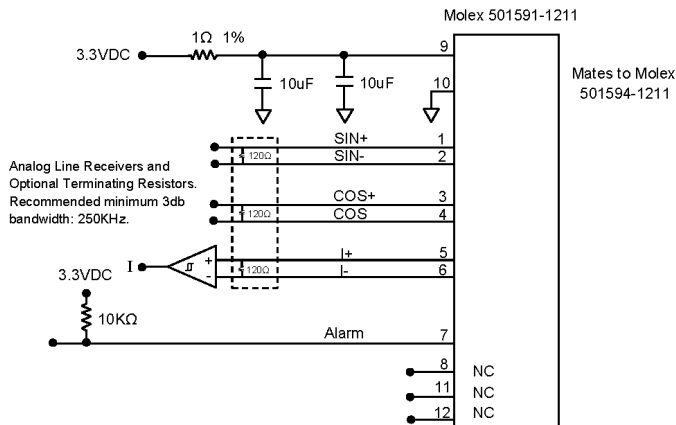
3.3 VDC Digital Operation



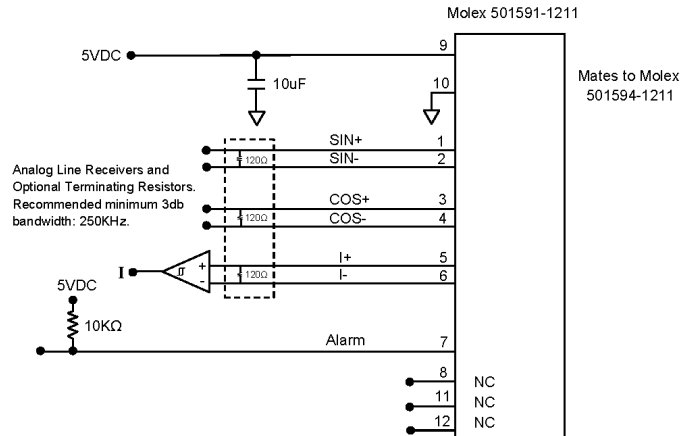
5 VDC Digital Operation



3.3 VDC Analog Operation



5 VDC Analog Operation



Optira™ Series Encoders

Miniature Precision Encoders for the World's Smallest Spaces

Optira Sensor

Sensor Connectors

The following are the pinouts for the two connectors on the Optira sensor.

JP1— Low Profile Board-to-Board Header Connector

Manufacturer Part Number: Molex® 501594-1211

PIN NUMBER	SIGNAL	
	A-QUAD-B	ANALOG
1	A+	SIN+
2	A-	SIN-
3	B+	COS+
4	B-	COS-
5	Index+	Index+
6	Index-	Index-
7	Alarm	Alarm
8	CAL	CAL
9	PWR	PWR
10	GND	GND
11	NC	NC
12	NC	NC

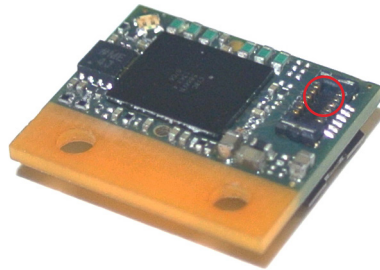
NC - No Connect

J1— ZIF Connector

Manufacturer Part Number Hirose® FH33J-10S-0.5SH(10)

PIN NUMBER	SIGNAL	
	A-QUAD-B	ANALOG
1	A+	SIN+
2	A-	SIN-
3	B+	COS+
4	B-	COS-
5	Index+	Index+
6	Index-	Index-
7	Alarm	Alarm
8	CAL	CAL
9	PWR	PWR
10	GND	GND

Optira Sensor Top View



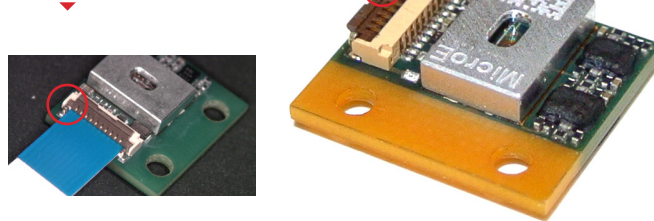
◀ JP1— Board-to-Board Header Mating Connector¹

Note

1. The 12-pin header mating connector has a limited durability of 20 mating cycles maximum.

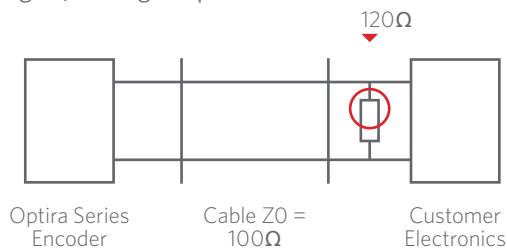
Optira Sensor Bottom View

J1— ZIF Connector ▶



Recommended Signal Termination

Digital/Analog Outputs

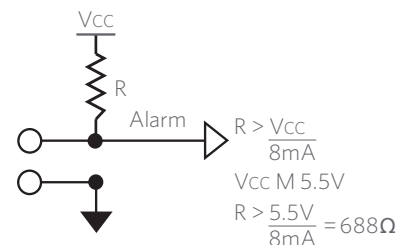


Alarm

Alarm output is an open collector circuit that is factory programmable: either active high or active low; specify when ordering. Alarm requires an external pull-up resistor. See customer-supplied circuit example to right.

Notes

Above values are applicable to 5 V models only. Maximum cable length is 5 m. Contact Celera Motion Applications Engineering if longer lengths are required.



MicroE
Encoders

Sold & Serviced By:
ELECTROMATE

Toll Free Phone (877) SERV098
Toll Free Fax (877) SERV099
www.electromate.com
sales@electromate.com

Optira™ Series Encoders

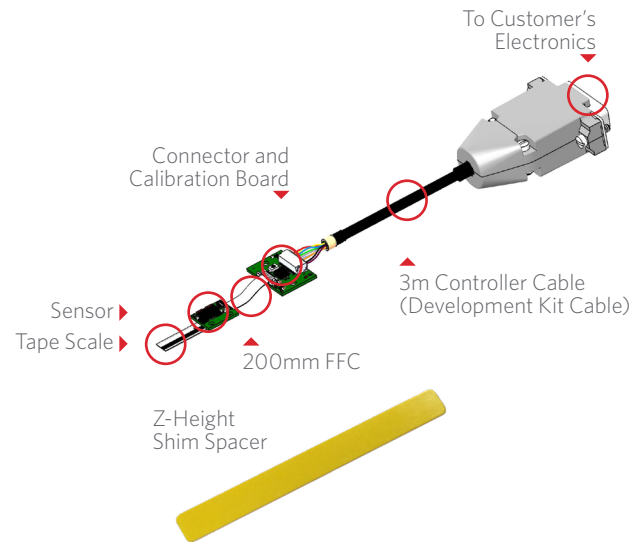
Miniature Precision Encoders for the World's Smallest Spaces

Optional Development Kit

Model: PI-DK

The following are the components of the optional Development Kit:

PART	DESCRIPTION
Connector and Calibration Board	Interface board located between the Optira sensor and the customer's controller: <ul style="list-style-type: none"> Provides feedback of sensor operation to customer's electronics Provides control for calibration and alignment Size: 0.591" × 0.886" No signal processing
200 mm FFC Cable	Flexible Flat Cable (FFC) that connects sensor to optional interface board or directly to customer's electronics: <ul style="list-style-type: none"> Digikey 732-3556-ND Würth Electronics® part number 687610200002 (0.5 mm, Type 1, 10P, 200 mm)
3 m Controller Cable	Custom Development Kit Cable with JST® connector and 15 Pin D-Sub to connect between the Connector and Calibration Board and customer's electronics
Z-Height Shim Spacer	Shim for installing sensor. Sets gap between sensor riser and top of installed scale.



Connector and Calibration Board

Provides an interface board between the Optira sensor and customer's electronics. Does not contain any signal processing. Can be ordered separately from the development kit.

Main Components

Two Connectors for connecting to sensor and customer's electronics

- J1 ZIF Connector
- J2 Shrouded Connector

Calibration Button

- Located on top of the PCB
- Press to initiate calibration procedure

Note

Calibration button is only needed when the LSB option is selected for the index (see How to Order).

Two LEDs

- Red for Alarm
- Green for Power On

DIP switch (two settings) for configuring LEDs

- Configurable alarm — active high or low
- Configurable Power On LED — either on or off
- Factory defaults — alarm is active low; green Power On LED is on



MicroE
Encoders

Sold & Serviced By:
 **ELECTROMATE**
 Toll Free Phone (877) SERV098
 Toll Free Fax (877) SERV099
www.electromate.com
sales@electromate.com

Optira™ Series Encoders

Miniature Precision Encoders for the World's Smallest Spaces

Connector and Calibration Board Connector Pinouts

Connector J1 — Flat Flexible Cable (FFC) connecting sensor to optional board ZIF connector J1

Manufacturer Part Number: Omron® XF2L-1025-1A

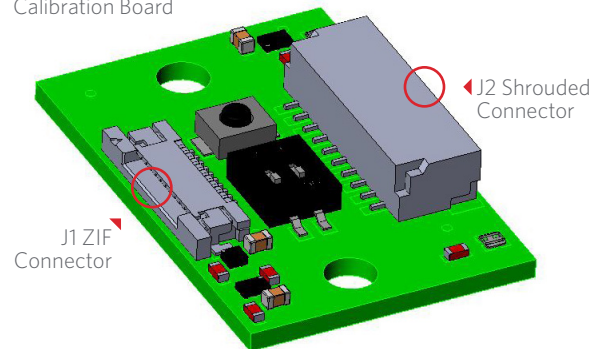
PIN NUMBER	SIGNAL	
	A-QUAD-B	ANALOG
1	A+	SIN+
2	A-	SIN-
3	B+	COS+
4	B-	COS-
5	Index+	Index+
6	Index-	Index-
7	Alarm	Alarm
8	CAL	CAL
9	PWR	PWR
10	GND	GND

Connector J2 — JST 10-pin connector on optional board

Manufacturer Part Number: JST SM10B-SRSS-TB(LF)(SN)

PIN NUMBER	SIGNAL	
	A-QUAD-B	ANALOG
1	A+	SIN+
2	A-	SIN-
3	B+	COS+
4	B-	COS-
5	Index+	Index+
6	Index-	Index-
7	Alarm	Alarm
8	CAL	CAL
9	PWR	PWR
10	GND	GND

Connector and Calibration Board



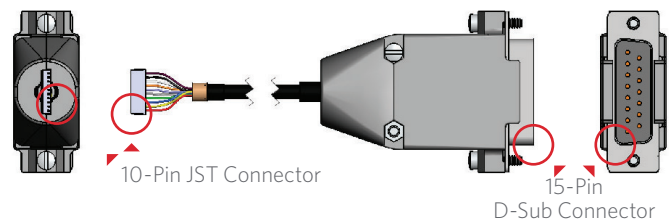
Development Kit Cable

15-Pin D-Sub/10-Pin JST Cable from optional board to customer's interface

10-PIN JST	SIGNAL		15-PIN D-SUB
	A-QUAD-B	ANALOG	
NC	NC	NC	1
NC	NC	NC	2
Pin 6	Alarm-	Alarm-	3
Pin 5	Index-	Index-	4
Pin 1	B-	COS-	5
Pin 7	A-	SIN-	6
NC	NC	NC	7
Pin 10	PWR	PWR	8
Pin 2	GND	GND	9
NC	NC	NC	10
Pin 3	Alarm+	Alarm+	11
Pin 8	Index+	Index+	12
Pin 4	B+	COS+	13
Pin 9	A+	SIN+	14
N/A	Inner Shield	Inner Shield	15

NC — No Connect, N/A — Not Applicable

Development Kit Cable



MicroE
Encoders

Sold & Serviced By:



Toll Free Phone (877) SERV098
Toll Free Fax (877) SERV099
www.electromate.com
sales@electromate.com

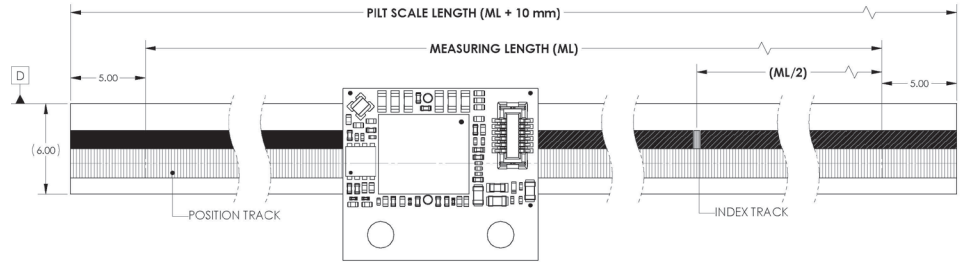
Optira™ Series Encoders

Miniature Precision Encoders for the World's Smallest Spaces

Optira Tape Scales

Model: PILT

Optira Linear Tape Scales are adhesive-backed metal tape scales, which are only 6 mm wide and easily installed on virtually any surface using standard adhesive backing while achieving industry-leading price and performance. Optira tape scales provide linearity of $<\pm 5 \mu\text{m}$ (max/meter) and are easily cut to length in the field and can be ordered in customer-specified lengths up to 20m.



SPECIFICATIONS

Linearity	$<\pm 5 \mu\text{m}$ (max/meter)
Material	Inconel 625
Typical CTE	13 ppm/°C; thermal behavior of the tape scale is typically matched to the substrate using epoxy at the ends of the tape scale

Tape Scale Applicator Tool for Optira Series Encoders

- Use the Tape Scale Applicator Tool Model PILT-AT for scale lengths greater than 0.3 meters.
- The Applicator Tool enables fast and accurate installation of long scale lengths, which ensures optimal encoder performance.



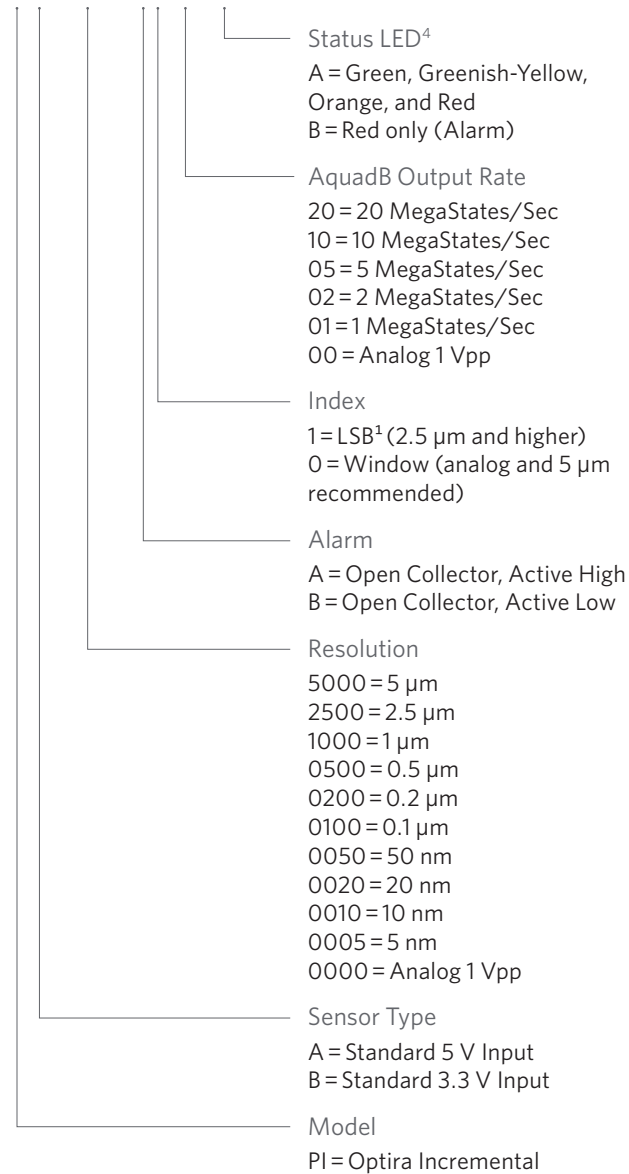
Optira™ Series Encoders

Miniature Precision Encoders for the World's Smallest Spaces

How to Order

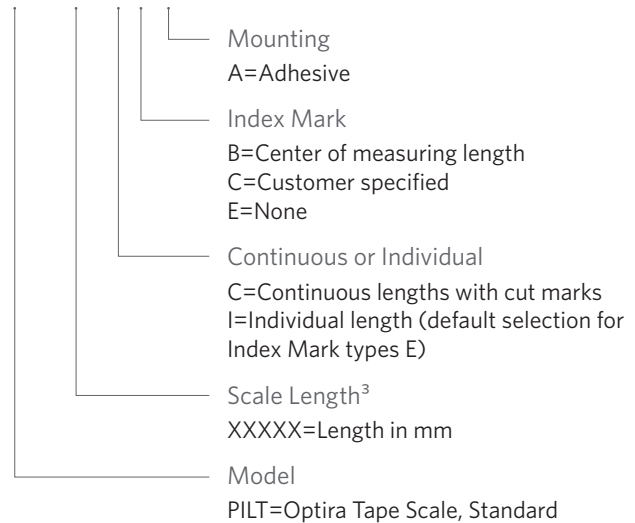
Sensor

PIA-1000-A1-20-A (example)



Scales² — Optira Tape Scale

PILT-1000I-B-A (example)



Accessories

PI-DK	Development Kit: Connector and Calibration Board, 200 mm FFC Cable, 3m Controller Cable, and Z-Height Shim Spacer for sensor installation
PI-CB	Connector and Calibration Board
PILT-AT	Tape Scale Applicator Tool (used for lengths >0.3 m)

Notes

1. The Connector and Calibration Board is required for calibration when specifying LSB for the index.
2. Scales Availability: linear glass and rotary glass scales are available; contact MicroE for more details:
Linear Glass Scales: Model PILG, lengths up to 130 mm
Rotary Glass Scales: Model PIRG, diameters up to 130 mm
3. Does not apply for custom scales: contact MicroE for custom part numbers.
4. See page 5.



MicroE
Encoders

Sold & Serviced By:
 ELECTROMATE
Toll Free Phone (877) SERV098
Toll Free Fax (877) SERV099
www.electromate.com
sales@electromate.com